

BALDOR® • *RELIANCE*

Product Information Packet

CECP84110T-4

40HP, 1770RPM, 3PH, 60HZ, 324TC, 1260M, TEFC, F

Part Detail							
Revision:	F	Status:	PRD/A	Change #:		Proprietary:	No
Type:	AC	Prod. Type:	1260M	Elec. Spec:	12WGY762	CD Diagram:	CD0006
Enclosure:	TEFC	Mfg Plant:		Mech. Spec:	12G375	Layout:	12LYG375
Frame:	324TC	Mounting:	F1	Poles:	04	Created Date:	09-18-2014
Base:	RG	Rotation:	R	Insulation:	F	Eff. Date:	11-03-2016
Leads:	3#8					Replaced By:	
Literature:		Elec. Diagram:					

Nameplate NP3190												
STK.NO.	CECP84110T-4		P/N			ENCLOSURE	TEFC					
SPEC.	12G375Y762		CC	010A	FRAME	324TC		S/N				
HP	40		CLASS	F	HZ	60		ODE BRG	6312	DE BRG	6312	
RPM	1770	RPM MAX	2700		PH	3	DES	B		D.E. BRG.	60BC03X30X	
VOLT	460		KVA-CODE	F		O.D.E. BRG.	60BC03X30X					
AMP	46		MOTOR WEIGHT	600		GREASE	POLYREX EM					
RATING	40C AMB-CONT		MAX. KVAR	8.3		BLANK						
NEMA-NOM-EFF	94.1	# OF ROTOR BARS	40		SER.F.	1.15		IP	56			
G.MIN.EFF	93	# OF STATOR SLOTS	48		PF	86		INV.TYPE	PWM			
TEMP CODE	T3		INVERTER-TEMP-CODE	200								
TEMP =	200		C HP FR	60	C HP TO	90						
CT HZ FROM	1		CT HZ TO	60								
HTR-VOLTS			HTR-AMPS			HTR-WATTS			MAX. SPACE HEATER TEMP.			
								VT HZ FROM	O	VT HZ TO	60	

Parts List		
Part Number	Description	Quantity
SA287147	SA 12G375Y762	1.000 EA
RA273363	RA 12G375Y762	1.000 EA
09FN3001C03	EXTERNAL FAN, PLASTIC	1.000 EA
WD1000B19	TERMINAL BURNDY L250HP	1.000 EA
10XN3816K08	3/8-16 X .50 HEX HD CAP SCREW GRADE 5	1.000 EA
10CB1000A04P	CONDUIT BOX, MACH W/EPOXY PRIMER	1.000 EA
09GS1010	GASKET, DWG, LEADWIRE SEPERATOR	1.000 EA
10XN3118K16	5/16-18 X 1' GRADE #5, STL, ZINC PLATE	4.000 EA
HW1001A31	LOCKWASHER 5/16, ZINC PLT.591 OD, .319 I	4.000 EA
WD1000B16	T&B CX70TN TERMINAL	1.000 EA
10XN2520K06	1/4-20 X 3/8" HX HD SCREWGRADE 5, ZINC P	1.000 EA
HW1001A25	LOCKWASHER 1/4, ZINC PLT .493 OD, .255 I	1.000 EA
HA3400A32	STUD, 1/2-13 X 7.38	4.000 EA
HW1001A50	LOCKWASHER 1/2, ZINC PLT.,879 OD, .509 I	4.000 EA
HW4500A20	1/8NPT SL PIPE PLUG	1.000 EA
HA4017A01	1/8 X 4 GREASE EXT (F/S)	1.000 EA
HA4017A11	1/8 X 2.75 GREASE EXT (F/S)	1.000 EA
HW4019A01	PIPE COUPLING 1/8 NPT,STEEL,ZINC COATING	1.000 EA
HA4002A01	DRAIN PLUG STAINLESS STL	1.000 EA
HW4601A55	INPRO/SEAL #1698-A-M0022-0 VBXX 312 BRG/	1.000 EA
HW5100A15	W4997-050 WVY WSHR (WB)	1.000 EA
10XN3118K40	5/16-18 X 2.50" HEX HD, GRADE 5	4.000 EA
12EP1105A99P	PU EP, MACH, PLS, INPRO W/EPOXY PRIMER	1.000 EA
10XN5013K28	1/2-13 X 1.75 HEX HEAD MACH SCREW,GRAD	4.000 EA

Parts List (continued)		
Part Number	Description	Quantity
HW1001A50	LOCKWASHER 1/2, ZINC PLT.,.879 OD, .509 I	4.000 EA
HW4500A20	1/8NPT SL PIPE PLUG	1.000 EA
HA4002A01	DRAIN PLUG STAINLESS STL	1.000 EA
HW4601A55	INPRO/SEAL #1698-A-M0022-0 VBXX 312 BRG/	1.000 EA
10XN3118K40	5/16-18 X 2.50" HEX HD, GRADE 5	4.000 EA
XY5013A12	NUT,1/2-13,HEX,STEEL,ZINCPLATED	4.000 EA
HW1001A50	LOCKWASHER 1/2, ZINC PLT.,.879 OD, .509 I	4.000 EA
10CB1503A01P	CONDUIT BOX LIPPED LID, MACH W/EPXY PRMR	1.000 EA
14GS1003	GASKET CONDUIT BOX LID, NEOP	1.000 EA
10XN2520K16	1/4-20 X 1" HX HD SCRW GRADE 5, ZINC P	4.000 EA
HW1001A25	LOCKWASHER 1/4, ZINC PLT .493 OD, .255 I	4.000 EA
MJ5004A59	ADHESIVE LOCTITE #401 SURFACE INSENSITIV	0.010 EA
HW2501H33	KEY, 1/2 SQ X 3.875	1.000 EA
MJ5001A27	32220KN GRAY SEALER *MIN BUY 4 QTS=1GAL	0.031 QT
MJ5001A14	DYNAPRO SEAL, CP MOTORS VC#2508050 (603	0.033 EA
MJ5002A01	SILICON RUBBER SEALANT, 732CL 10.3 OZ TU	0.025 EA
LB1115N	LABEL,LIFTING DEVICE (ON ROLLS)	1.000 EA
WD1000B48	T&B D73, RING TERMINAL 8 AWG 3/8 STUD	3.000 EA
12EP1111A02GP6	FR ENDPLATE, MACH W/EPOXY PRIMER & RELIA	1.000 EA
HW4500A21	1618BALEMITE FITTING 825 UNIVERSAL	1.000 EA
HA4051A00	PLASTIC CAP FOR GREASE FITTING	1.000 EA
HW4500A17	317400 ALEMITE GREASE RELIEF	1.000 EA
MJ1000A02	GREASE, POLYREX EM EXXON (USe 4824-15A)	0.200 LB
HW4500A03	GREASE FITTING, .125 NPT 1610(ALEMITE) 8	1.000 EA

Product Information Packet: CECP84110T-4 - 40HP,1770RPM,3PH,60HZ,324TC,1260M,TEFC,F

HA4051A00	PLASTIC CAP FOR GREASE FITTING	1.000 EA
HW4500A17	317400 ALEMITE GREASE RELIEF	1.000 EA
HW2500A25	WOODRUFF KEY USA #1008 #BLOW CARBON STEE	1.000 EA
51XB1214A20	12-14X1.25 HXWSSLD SERTYB	1.000 EA
12FH1002A15GP6	FAN COVER, MACH, W/PRIMER W/MG1025N19	1.000 EA
MG1025N19	WILKOFASST, 778.50, RELIANCE BLUE-GREEN	0.080 GA
85XU0407S04	4X1/4 U DRIVE PIN STAINLESS	4.000 EA
LB1449	DIV-2/NEC WARNING LABEL	1.000 EA
LB1119N	WARNING LABEL	1.000 EA
LC0006	CONNECTION LABEL	1.000 EA
NP3190	SS IEEE841 INV DIV-2 UL CSA-C US EEV	1.000 EA
12PA1000	PACKAGING GROUP PRINT PK1024A06	1.000 EA
MN416A01	TAG-INSTAL-MAINT no wire (1200/bx) 11/14	1.000 EA

AC Induction Motor Performance Data

Record # 46865 - Typical performance - not guaranteed values

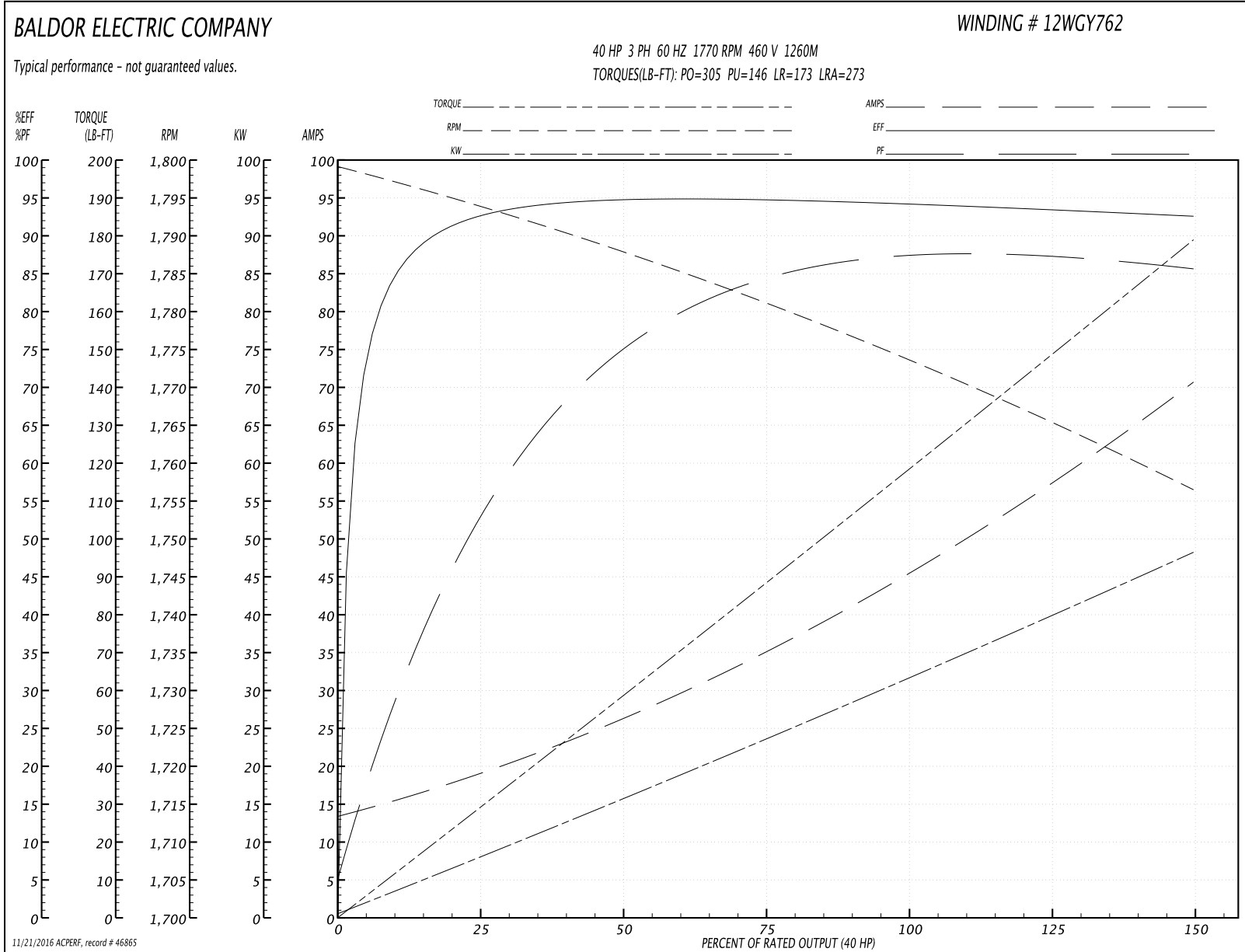
Winding: 12WGY762-R003	Type: 1260M	Enclosure: TEFC
-------------------------------	--------------------	------------------------

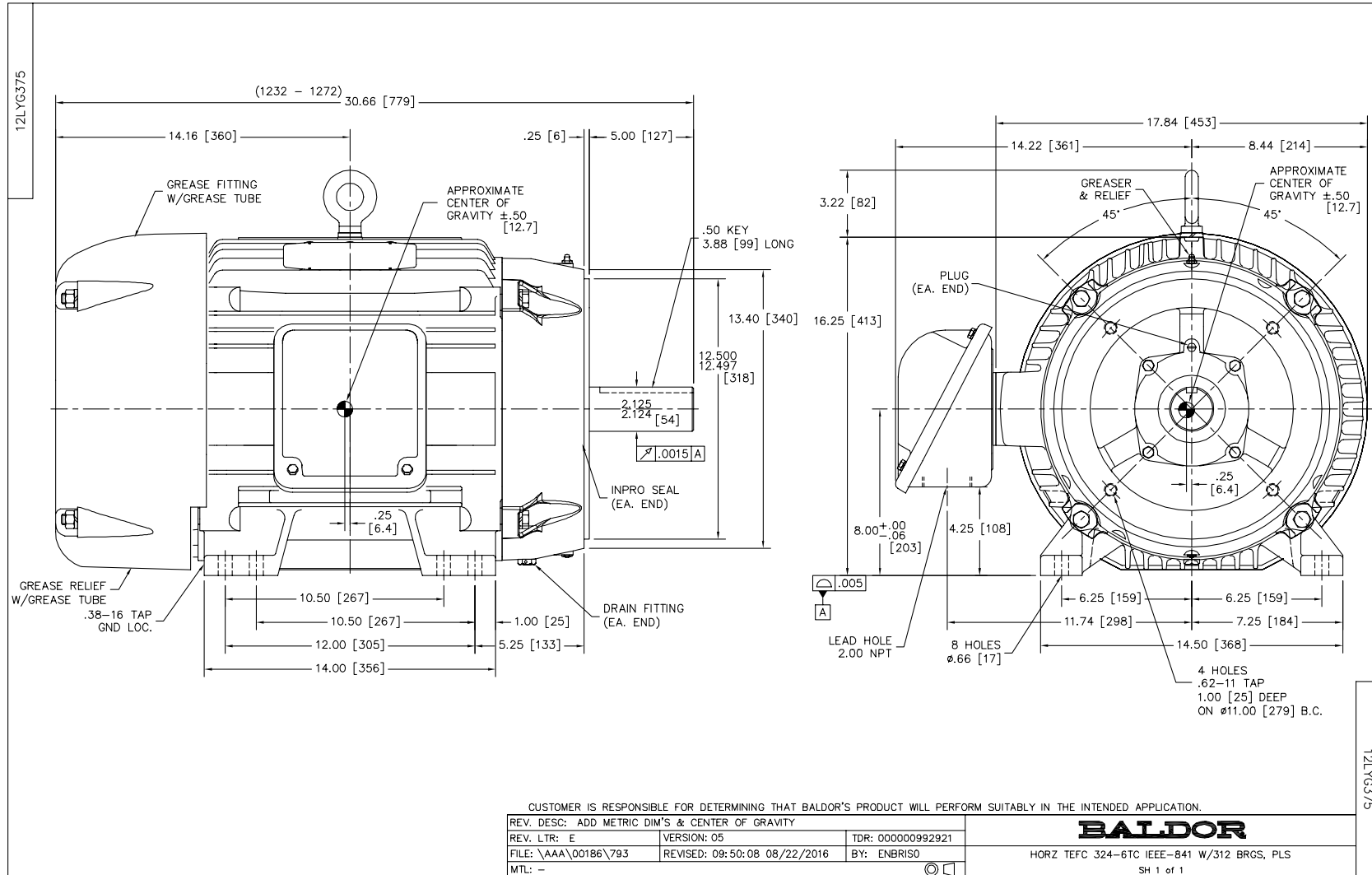
Nameplate Data				460 V, 60 Hz: Single Voltage Motor	
Rated Output (HP)	40			Full Load Torque	118 LB-FT
Volts	460			Start Configuration	direct on line
Full Load Amps	46			Breakdown Torque	305 LB-FT
R.P.M.	1770			Pull-up Torque	146 LB-FT
Hz	60	Phase	3	Locked-rotor Torque	173 LB-FT
NEMA Design Code	B	KVA Code	F	Starting Current	273 A
Service Factor (S.F.)	1.15			No-load Current	14.3 A
NEMA Nom. Eff.	94.1	Power Factor	86	Line-line Res. @ 25°C	0.16401 Ω
Rating - Duty	40C AMB-CONT			Temp. Rise @ Rated Load	62°C
S.F. Amps				Temp. Rise @ S.F. Load	78°C
				Locked-rotor Power Factor	26.5
				Rotor inertia	7.99 LB-FT ²

Load Characteristics 460 V, 60 Hz, 40 HP

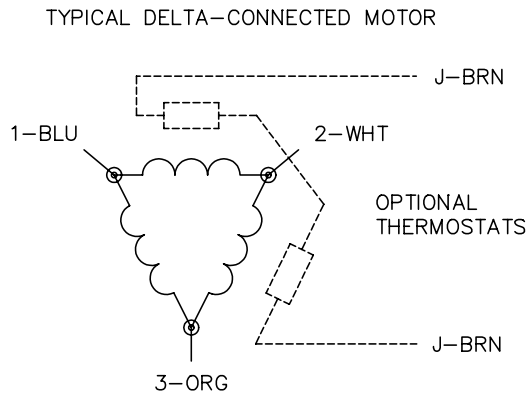
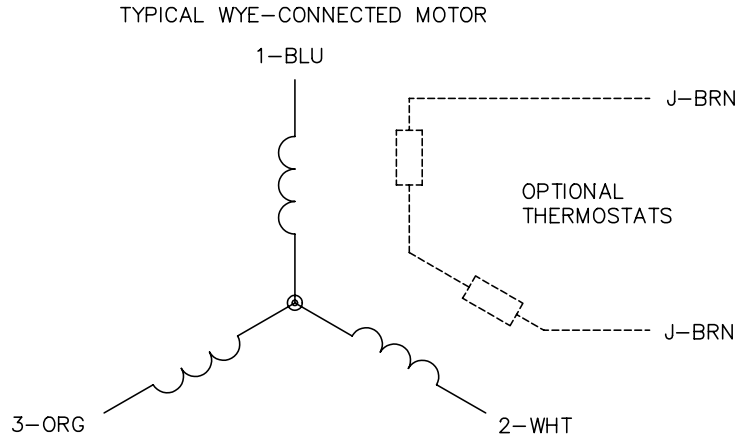
% of Rated Load	25	50	75	100	125	150	S.F.
Power Factor	57	77	84	86	87	86	87
Efficiency	92.6	94.7	94.8	94.3	93.5	92.5	93.8
Speed	1794.1	1788	1780.8	1773.7	1765.2	1756.6	1769
Line amperes	18.1	25.6	35.6	46.1	57.9	70.1	53.2

Performance Graph at 460V, 60Hz, 40.0HP Typical performance - Not guaranteed values





CD0006



NOTES:

1. THREE LEAD MOTOR MAY BE EITHER WYE CONNECTED OR DELTA CONNECTED.
2. INTERCHANGE ANY TWO LINE LEADS TO REVERSE ROTATION.
3. OPTIONAL THERMOSTATS ARE PROVIDED WHEN SPECIFIED.
4. ACTUAL NUMBER OF INTERNAL PARALLEL CIRCUITS MAY VARY.
5. LEAD COLORS ARE OPTIONAL. LEADS MUST BE NUMBERED AS SHOWN.

REV. DESC: REVISE TO SHOW OPTIONAL COLORS			
REV. LTR: D	BY: JLP	REVISED: 01/21/99 4:02	TDR: 0171435
9000D		FILE: AAA00005141	MDL: -
		MTL: -	

BALDOR ELECTRIC Co.

3PH, SV, 3 LEADS, WYE OR DELTA CONNECTED

CD0006