

BALDOR® • *RELIANCE*

Product Information Packet

CEM7060T

30//25HP,1770//1470RPM,3PH,60//50HZ,286T

Part Detail							
Revision:	N	Status:	PRD/A	Change #:		Proprietary:	No
Type:	AC	Prod. Type:	1056M	Elec. Spec:	10WGY758	CD Diagram:	CD0005
Enclosure:	XPFC	Mfg Plant:		Mech. Spec:	10E251	Layout:	10LYE251
Frame:	286TC	Mounting:	F1	Poles:	04	Created Date:	06-10-2010
Base:	RG	Rotation:	R	Insulation:	F	Eff. Date:	11-10-2016
Leads:	9#10					Replaced By:	
Literature:		Elec. Diagram:					

Nameplate NP1426XPSLEV	
NO.	<input type="text"/> CC 010A
SER.	<input type="text"/>
SPEC.	10E251Y758G1
CAT.NO.	CEM7060T
HP	30//25 T. CODE T3C
VOLTS	230/460//190/380
AMPS	72/36//74/37
RPM	1770//1470
HZ	60//50 PH 3 CL F
SER.F.	1.00 DES A CODE G
RATING	40C AMB-CONT
FRAME	286TC NEMA-NOM-EFF 93.6
USABLE AT 208V	76 PF 83
BLANK	<input type="text"/>

Parts List		
Part Number	Description	Quantity
SA198379	SA 10E251Y758G1	1.000 EA
RA185747	RA 10E251Y758G1	1.000 EA
09FN3001C02	EXTERNAL FAN, PLASTIC	1.000 EA
12CB1001A01	K.O.BOX, MACH X-PROOF, 1.50 NPT HOLE	1.000 EA
10XN3118K16	5/16-18 X 1' GRADE #5, STL, ZINC PLATE	4.000 EA
HW1001A31	LOCKWASHER 5/16, ZINC PLT.591 OD, .319 I	4.000 EA
WD1000B16	T&B CX70TN TERMINAL	1.000 EA
10XN2520K06	1/4-20 X 3/8" HX HD SCREWGRADE 5, ZINC P	1.000 EA
HW1001A25	LOCKWASHER 1/4, ZINC PLT .493 OD, .255 I	1.000 EA
10EP1701A01	FR ENDPLATE, MACH	1.000 EA
HA3050A03	3/8-16 X 2.25" GRADE 8 BOLT	4.000 EA
HW1001A38	LOCKWASHER 3/8, ZINC PLT .688 OD, .382 I	4.000 EA
HW5100A11	W3917-042 WVY WSHR (WB)	1.000 EA
10XN2520K40	1/4-20 X 2-1/2 HEX HD CAPSCREW,GRADE 5,Z	4.000 EA
HW1001A25	LOCKWASHER 1/4, ZINC PLT .493 OD, .255 I	4.000 EA
10EP1710A07	FACE MTD. E.P., MACH X-PROOF W/LABYRINTH	1.000 EA
HA3050A03	3/8-16 X 2.25" GRADE 8 BOLT	4.000 EA
HW1001A38	LOCKWASHER 3/8, ZINC PLT .688 OD, .382 I	4.000 EA
10FH1008A01	310 FAN HOUSING X-PROOF MACH.	1.000 EA
10XN3118K12	5/16-18 X .75 GRADE 5, ZINC PLATED	3.000 EA
HW1001A31	LOCKWASHER 5/16, ZINC PLT.591 OD, .319 I	3.000 EA
12CB1501A01	COND.BOX LID, MACH., X-PROOF, 310,312	1.000 EA
10XN3816K20	3/8-16 X 1.25 HEX HD CAP GRADE 5	6.000 EA
HW1001A38	LOCKWASHER 3/8, ZINC PLT .688 OD, .382 I	6.000 EA

Parts List (continued)		
Part Number	Description	Quantity
HW2501H28	KEY, 1/2 SQ X 3.250	1.000 EA
LB1115N	LABEL,LIFTING DEVICE (ON ROLLS)	1.000 EA
WD4100A03	DE-750 HEYCO PLUG 62MP0750 MICRO PLASTIC	1.000 EA
HW4500A20	1/8NPT SL PIPE PLUG	2.000 EA
MJ1000A02	GREASE, POLYREX EM EXXON (USe 4824-15A)	0.130 LB
HW4500A20	1/8NPT SL PIPE PLUG	2.000 EA
HW2500A25	WOODRUFF KEY USA #1008 #BLOW CARBON STEE	1.000 EA
51XB1214A20	12-14X1.25 HXWSSLD SERTYB	1.000 EA
MG1025G05	WILKOFASST, 789.227, MED. GRAY CHAR. MET.	0.125 GA
85XU0407S04	4X1/4 U DRIVE PIN STAINLESS	6.000 EA
LB1073	ALUM XP CAUTION LABEL	1.000 EA
MN416A01	TAG-INSTAL-MAINT no wire (1200/bx) 11/14	1.000 EA
LB1119N	WARNING LABEL	1.000 EA
LC0145B01	CONNECTION LABEL	1.000 EA
NP1426XPSLEV	SS XP UL CSA-EEV CC CL-I GP-D	1.000 EA
12PA1000	PACKAGING GROUP PRINT PK1024A06	1.000 EA

AC Induction Motor Performance Data

Record # 53248 - Typical performance - not guaranteed values

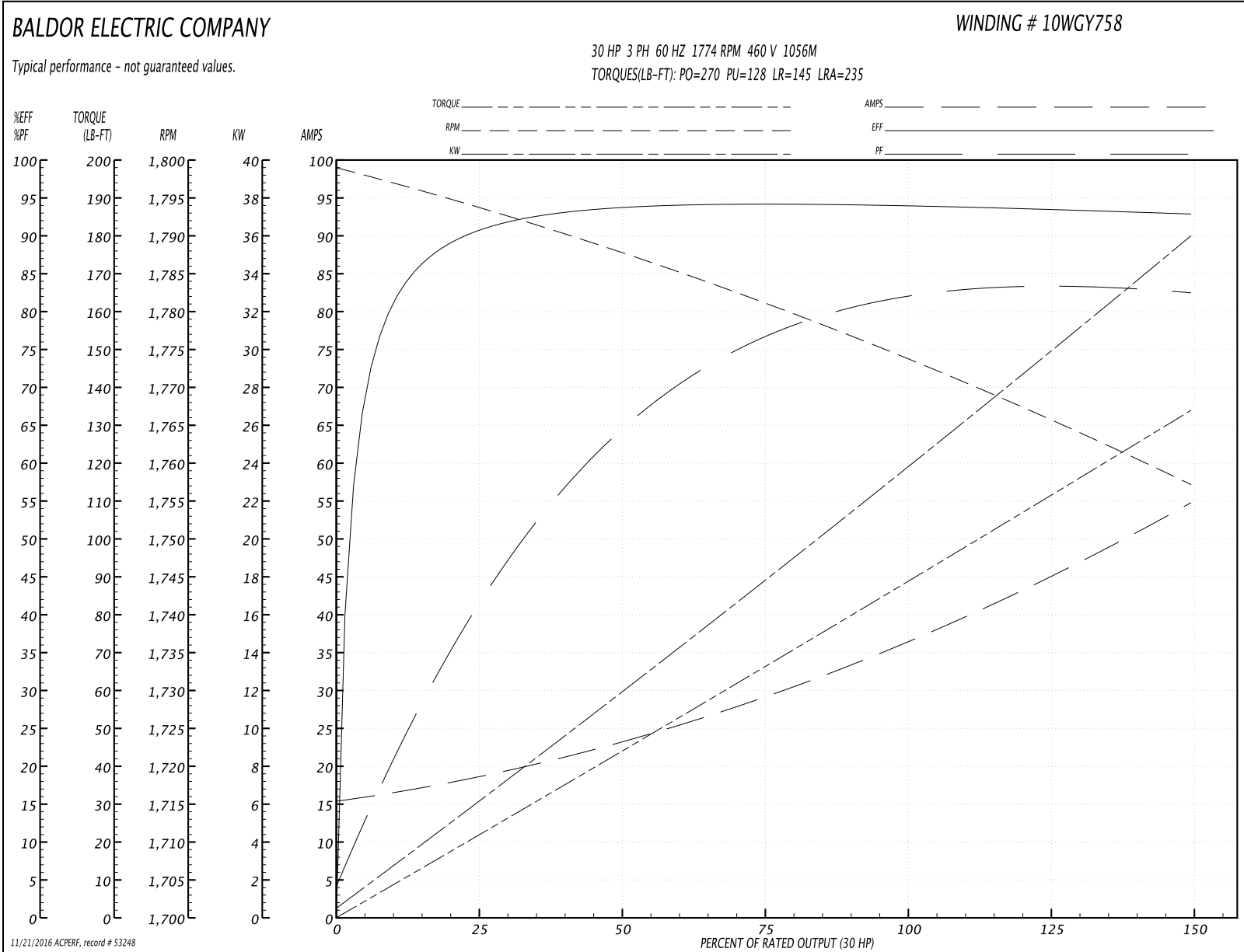
Winding: 10WGY758-R017	Type: 1056M	Enclosure: XPFC
-------------------------------	--------------------	------------------------

Nameplate Data				460 V, 60 Hz: High Voltage Connection	
Rated Output (HP)	30//25			Full Load Torque	89.1 LB-FT
Volts	230/460//190/380			Start Configuration	direct on line
Full Load Amps	72/36//74/37			Breakdown Torque	270 LB-FT
R.P.M.	1770//1470			Pull-up Torque	128 LB-FT
Hz	60//50	Phase	3	Locked-rotor Torque	145 LB-FT
NEMA Design Code	B	KVA Code	G	Starting Current	235 A
Service Factor (S.F.)	1			No-load Current	15.9 A
NEMA Nom. Eff.	93.6	Power Factor	83	Line-line Res. @ 25°C	0.226 Ω
Rating - Duty	40C AMB-CONT			Temp. Rise @ Rated Load	57°C
				Locked-rotor Power Factor	32
				Rotor inertia	4.45 LB-FT ²

Load Characteristics 460 V, 60 Hz, 30 HP

% of Rated Load	25	50	75	100	125	150
Power Factor	44	66	75	83	83	83
Efficiency	90.6	93.7	94.3	94	93.2	93
Speed	1794	1787	1781	1774	1766	1757
Line amperes	17.9	23	30.1	36.2	45.3	54.5

Performance Graph at 460V, 60Hz, 30.0HP Typical performance - Not guaranteed values



AC Induction Motor Performance Data

Record # 53249 - Typical performance - not guaranteed values

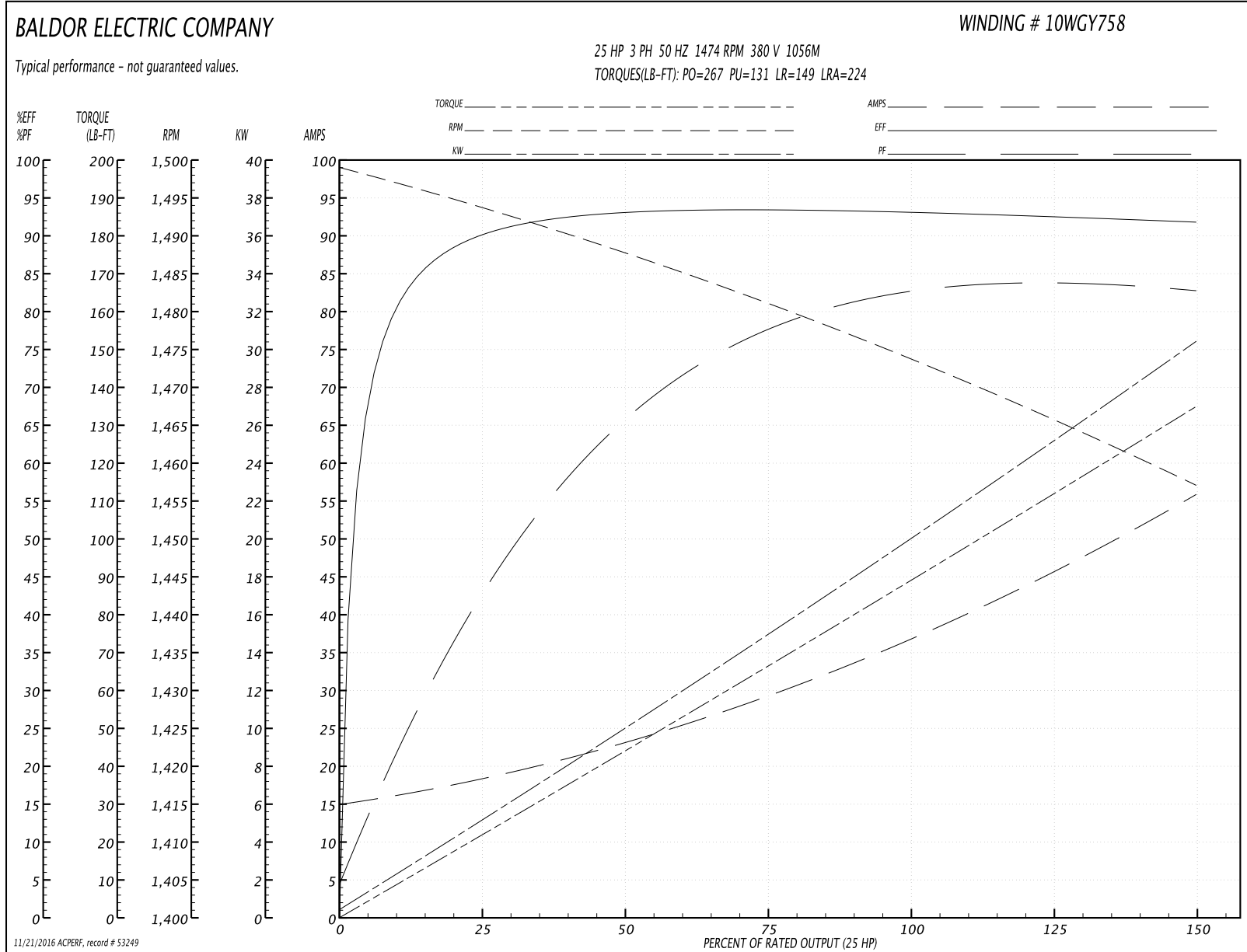
Winding: 10WGY758-R017	Type: 1056M	Enclosure: XPFC
-------------------------------	--------------------	------------------------

Nameplate Data				380 V, 50 Hz: High Voltage Connection	
Rated Output (HP)	30//25			Full Load Torque	89.3 LB-FT
Volts	230/460//190/380			Start Configuration	direct on line
Full Load Amps	72/36//74/37			Breakdown Torque	267 LB-FT
R.P.M.	1770//1470			Pull-up Torque	131 LB-FT
Hz	60//50	Phase	3	Locked-rotor Torque	149 LB-FT
NEMA Design Code	B	KVA Code	G	Starting Current	224 A
Service Factor (S.F.)	1			No-load Current	15.5 A
NEMA Nom. Eff.	93.6	Power Factor	83	Line-line Res. @ 25°C	0.226 Ω
Rating - Duty	40C AMB-CONT			Temp. Rise @ Rated Load	57°C
				Locked-rotor Power Factor	35
				Rotor inertia	4.45 LB-FT ²

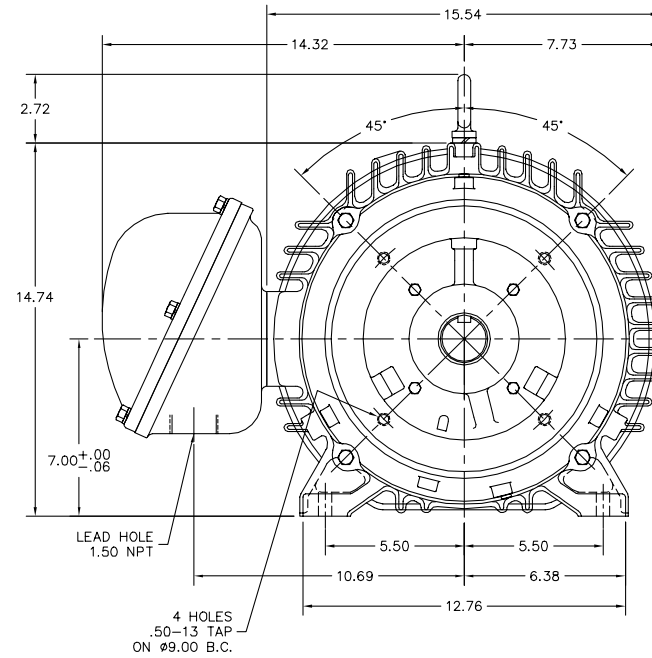
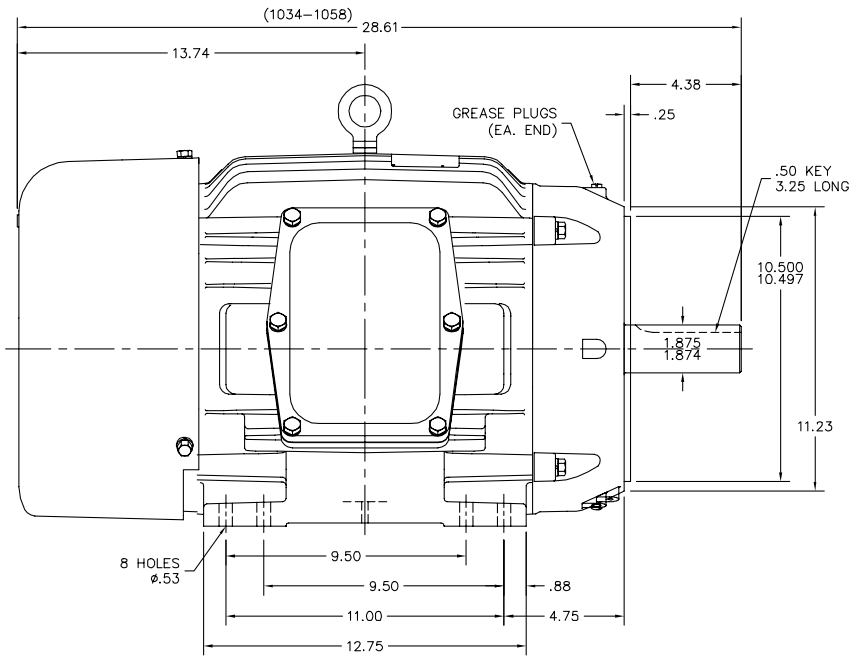
Load Characteristics 380 V, 50 Hz, 25 HP

% of Rated Load	25	50	75	100	125	150
Power Factor	45	67	76	83	83	83
Efficiency	90	93.2	93.7	93.4	91.9	92
Speed	1494	1487	1481	1474	1466	1457
Line amperes	17.6	22.9	30.2	36.5	45.9	55.5

Performance Graph at 380V, 50Hz, 25.0HP Typical performance - Not guaranteed values



10LYE251



10LYE251

CUSTOMER IS RESPONSIBLE FOR DETERMINING THAT BALDOR'S PRODUCT WILL PERFORM SUITABLY IN THE INTENDED APPLICATION.

REV. DESC: CHG LD HL TO 1.50 NPT	VERSION: 02	TDR: 000000927404
REV. LTR: D	REVISED: 02:24:35 06/09/2015	BY: ENCARCO
FILE: \AAA\00032\559		
MTL: -		

BALDOR

HORZ XPFC 284-6TC CL.I,GP.D;CL.II,GP.F&G
SH 1 of 1

CD0005

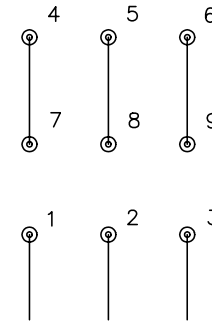


LOW VOLTAGE
(2Y)



LINE

HIGH VOLTAGE
(1Y)



LINE

NOTES:

1. INTERCHANGE ANY TWO LINE LEADS TO REVERSE ROTATION.
2. OPTIONAL THERMOSTATS ARE PROVIDED WHEN SPECIFIED.
3. ACTUAL NUMBER OF INTERNAL PARALLEL CIRCUITS MAY BE A MULTIPLE OF THOSE SHOWN ABOVE.
4. LEAD COLORS ARE OPTIONAL. LEADS MUST ALWAYS BE NUMBERED AS SHOWN.

REV. DESC: REVISE TO SHOW OPTIONAL COLORS			
REV. LTR: E	BY: JLP	REVISED: 01/19/99 10:15	TDR: 0171435
90000		FILE: AAA00005140	MDL: -
		MTL: -	

BALDOR ELECTRIC Co.

3PH, DV, 9 LEADS

CD0005