

BALDOR® • *RELIANCE*

Product Information Packet

CESSWDM3610T

3HP,3500RPM,3PH,60HZ,182TC,3624M,TEFC,F1

Part Detail							
Revision:	P	Status:	PRD/A	Change #:		Proprietary:	No
Type:	AC	Prod. Type:	3624M	Elec. Spec:	36WGT861	CD Diagram:	CD0005
Enclosure:	TEFC	Mfg Plant:		Mech. Spec:	36L738	Layout:	36LYL738
Frame:	182TC	Mounting:	F1	Poles:	02	Created Date:	02-15-2010
Base:	RG	Rotation:	R	Insulation:	F	Eff. Date:	08-31-2016
Leads:	9#16					Replaced By:	
Literature:		Elec. Diagram:					

Nameplate NP1951B01										
CAT.NO.	CESSWDM3610T									
SPEC.	36L738T861G1									
HP	3									
VOLTS	230/460									
AMP	7.4/3.7									
RPM	3500									
FRAME	182TC				HZ	60			PH	3
SER.F.	1.15		CODE	M	DES	A		CLASS	F	
NEMA-NOM-EFF	88.5			PF	87					
RATING	40C AMB-CONT									
CC	010A				USABLE AT 208V	7.9				
DE	6206			ODE	6205					
ENCL	TEFC		SN							

Parts List		
Part Number	Description	Quantity
SA190872	SA 36L738T861G1	1.000 EA
RA178537	RA 36L738T861G1	1.000 EA
34FN3002B02	EXTERNAL FAN, PLASTIC, .905/.907 HUB W/	1.000 EA
36CB1003A01	CONDUIT BOX	1.000 EA
36GS1025	36 MOLDED GASKET W/LIP, LEAD SEAL, FOR	1.000 EA
51XN1032A10	10-32 X 0.625 HX WS SL SR ZN	2.000 EA
HA5027A02	HA4054 T-DRAIN X2 BAGGED WITH LABEL	1.000 EA
11XW1032G06	10-32 X .38, TAPTITE II, HEX WSHR SLTD U	1.000 EA
HW3001B01	BRASS CUP WASHER, FOR #8 SCREW	1.000 EA
36FE1907A01	FR EP ASSY W/EP FROM SOUTHERN TOOL STAIN	1.000 EA
HW4606A02	JM CLIPPER/SEAL (LWE-0938-1624-AL23)	1.000 EA
HW5100A05	WVY WSHR F/205 & 304 BRGS	1.000 EA
36PE1908A03	PU ENDPLATE ASSY	1.000 EA
10XN2520S28	1/4-20X 1 3/4 HEX HD SS X	4.000 EA
HA1049A02	DUBO LOK WASHER SIZE 1/4 (NYLON LOCK SEA	4.000 EA
HA1049A02	DUBO LOK WASHER SIZE 1/4 (NYLON LOCK SEA	4.000 EA
36FH4011	WASHDOWN FAN COVER #304 STAINLESS W/NOTC	1.000 EA
10XN1032S06	HEX HD CAP SCREW, SS	3.000 EA
36CB4517	LIPPED CB LID #304 STAINLESS - CLEANED	1.000 EA
37GS3010	1/16"WHITE LID GASKET	1.000 EA
59XN0832S07	8/32 X 7/16 HX WS HD SER X	4.000 EA
HW4606A03	JM CLIPPER/SEAL (LWE-1156-1875-AL44)	1.000 EA
HW2502E16	#303 SS,SQ KEY 1/4 X 1.750	1.000 EA
HA7000A02	KEY RETAINER RING, 1 1/8 DIA, 1 3/8 DIA	1.000 EA

Parts List (continued)		
Part Number	Description	Quantity
MJ5001A02	732 CL SEALANT 3 OZ DIXIE BEARING 289100	0.001 EA
MJ1000A02	GREASE, POLYREX EM EXXON (USe 4824-15A)	0.050 LB
51XB1214A16	12-14X1.00 HXWSSLD SERTYB	1.000 EA
HA3101S42	THRUBOLT-1/4-20 X11.50 SSTDR#94334	4.000 EA
36PA1001	PKG GRP, PRINT PK1017A06	1.000 EA
MN416A01	TAG-INSTAL-MAINT no wire (1200/bx) 11/14	1.000 EA

AC Induction Motor Performance Data

Record # 57423 - Typical performance - not guaranteed values

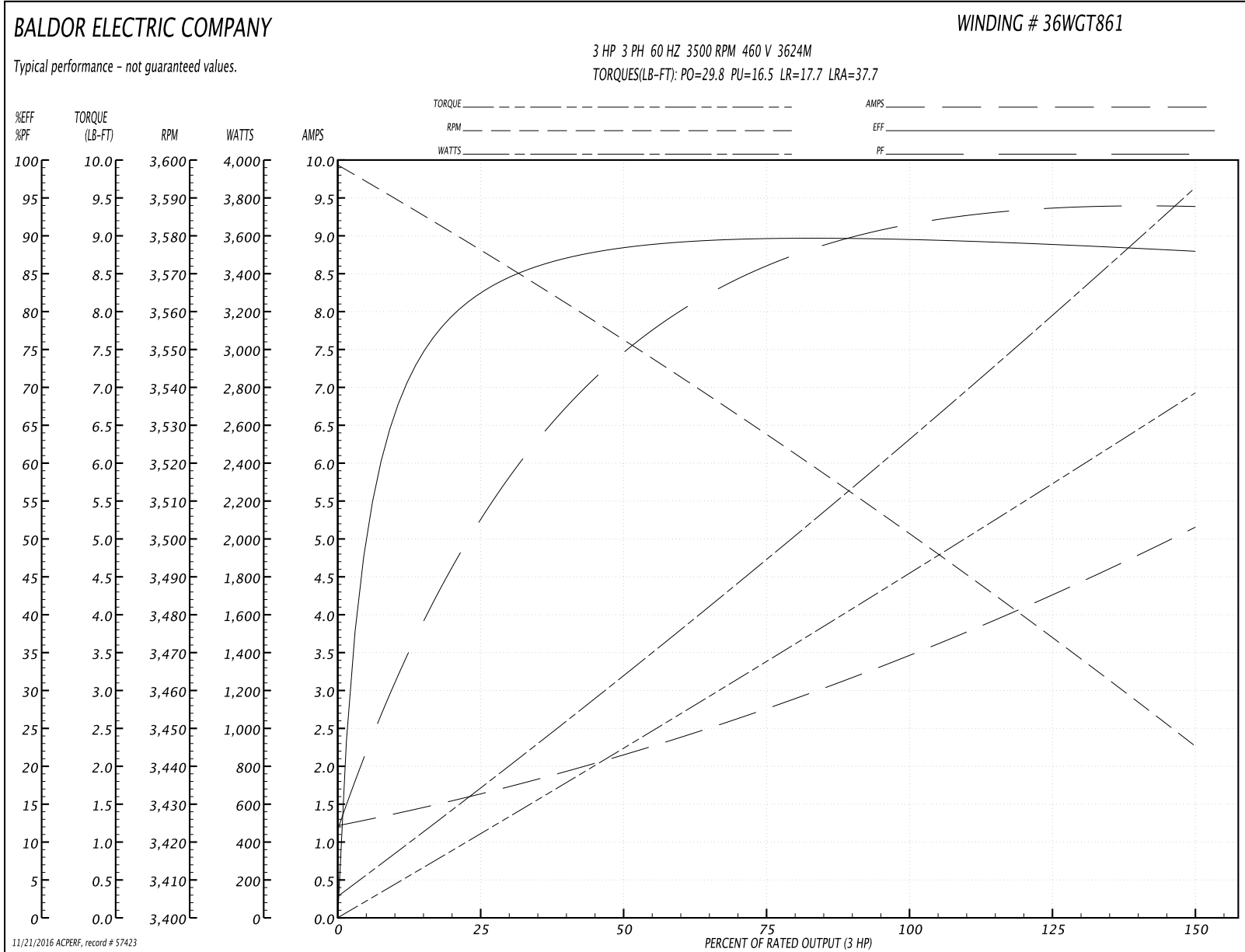
Winding: 36WGT861-R028	Type: 3624M	Enclosure: TEFC
-------------------------------	--------------------	------------------------

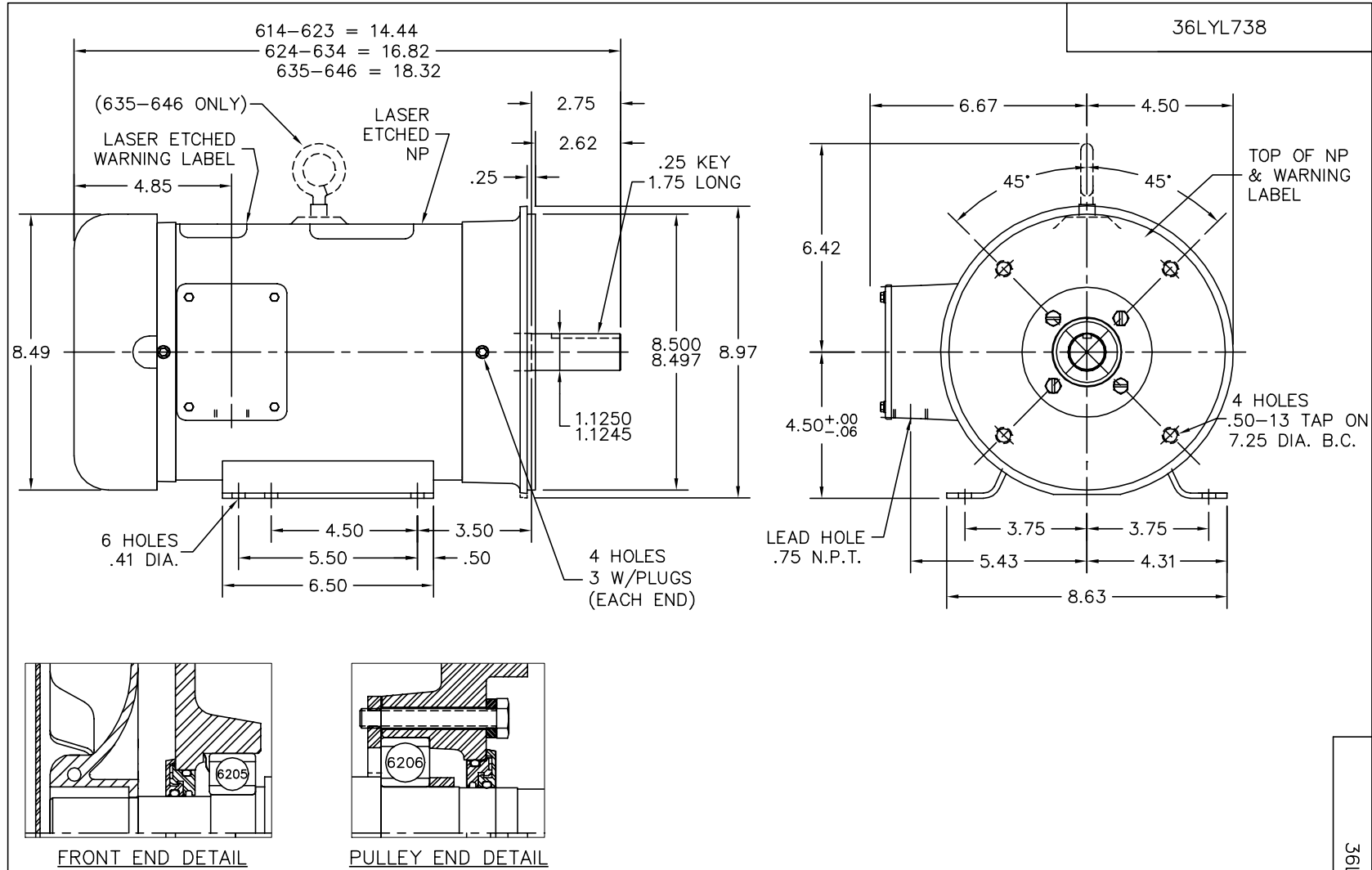
Nameplate Data				460 V, 60 Hz: High Voltage Connection	
Rated Output (HP)	3			Full Load Torque	4.6 LB-FT
Volts	230/460			Start Configuration	direct on line
Full Load Amps	7.4/3.7			Breakdown Torque	29.8 LB-FT
R.P.M.	3500			Pull-up Torque	16.5 LB-FT
Hz	60	Phase	3	Locked-rotor Torque	17.7 LB-FT
NEMA Design Code	A	KVA Code	M	Starting Current	37.7 A
Service Factor (S.F.)	1.15			No-load Current	1.27 A
NEMA Nom. Eff.	88.5	Power Factor	87	Line-line Res. @ 25°C	3.35 Ω
Rating - Duty	40C AMB-CONT			Temp. Rise @ Rated Load	40°C
S.F. Amps				Temp. Rise @ S.F. Load	48°C
				Locked-rotor Power Factor	45.3
				Rotor inertia	0.107 LB-FT ²

Load Characteristics 460 V, 60 Hz, 3 HP

% of Rated Load	25	50	75	100	125	150	S.F.
Power Factor	57	77	86	91	93	95	92
Efficiency	82.8	88.1	89.6	89.8	89	87.8	89.3
Speed	3575	3551	3526	3501	3473	3445	3484
Line amperes	1.58	2.15	2.82	3.53	4.32	5.12	4

Performance Graph at 460V, 60Hz, 3.0HP Typical performance - Not guaranteed values





CUSTOMER IS RESPONSIBLE FOR DETERMINING THAT BALDOR'S PRODUCT WILL PERFORM SUITABLY IN THE INTENDED APPLICATION.

REV. DESC: REVISE DEESCRIPTION AND CLEAN UP LAYOUT

REV. LTR: A

VERSION: 01

TDR: 000000527068

BALDOR • DODGE • RELIANCE

FILE: \AAA\00138\116

REVISED: 09:02:17 02/13/2010

STD HORZ 182-4TC TEFC 36M WD4 W/ LASER ETCHED BAND

MTL: -

BY: ENBRAMO

SH 1 of 1

36LYL738

CD0005

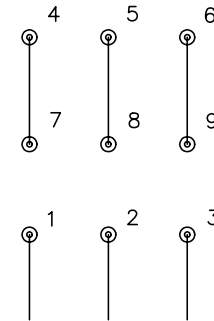


LOW VOLTAGE
(2Y)



LINE

HIGH VOLTAGE
(1Y)



LINE

NOTES:

1. INTERCHANGE ANY TWO LINE LEADS TO REVERSE ROTATION.
2. OPTIONAL THERMOSTATS ARE PROVIDED WHEN SPECIFIED.
3. ACTUAL NUMBER OF INTERNAL PARALLEL CIRCUITS MAY BE A MULTIPLE OF THOSE SHOWN ABOVE.
4. LEAD COLORS ARE OPTIONAL. LEADS MUST ALWAYS BE NUMBERED AS SHOWN.

REV. DESC: REVISE TO SHOW OPTIONAL COLORS			
REV. LTR: E	BY: JLP	REVISED: 01/19/99 10:15	TDR: 0171435
90000		FILE: AAA00005140	MDL: -
		MTL: -	

BALDOR ELECTRIC Co.

3PH, DV, 9 LEADS

CD0005