

BALDOR® • ***RELIANCE***

Product Information Packet

ECP63770TR-4

7.5HP,1765RPM,3PH,60HZ,213T,0737M,TEFC,F

Part Detail							
Revision:	R	Status:	PRD/A	Change #:		Proprietary:	No
Type:	AC	Prod. Type:	0737M	Elec. Spec:	07WGX814	CD Diagram:	CD0006
Enclosure:	TEFC	Mfg Plant:		Mech. Spec:	07M686	Layout:	07LYM686
Frame:	213T	Mounting:	F1	Poles:	04	Created Date:	08-22-2013
Base:	RG	Rotation:	R	Insulation:	F	Eff. Date:	01-27-2016
Leads:	3#14					Replaced By:	
Literature:		Elec. Diagram:					

Nameplate NP3200E			
CAT.NO.	ECP63770TR-4		
SPEC.	07M686X814G1		
HP	7.5	TE	
VOLTS	460		
AMP	9.5		
RPM	1765		
FRAME	213T	HZ	60
SER.F.	1.15	CODE	H DES B
RATING	40C AMB-CONT		
SN			
DE	NU307	ODE	6307
NEMA-NOM-EFF	91.7	PF	81
G.MIN.EFF	90.2	CC	010A
T. CODE	T3C	T=	160
			IP 56
			PH 3
			CL F

Nameplate NP3187E			
SPEC.	07M686X814G1		
D.E. BRG.	35RU03X30X		
O.D.E. BRG.	35BC03XP30X		
GREASE	MOBILITH SHC220		
WEIGHT	211	# OF ROTOR BARS	28
RPM MAX	2700	MAX. KVAR	1.50
BLANK			# OF STATOR SLOTS 36
INV.TYPE	PWM		
T=	160		
C HP FR	60	C HP TO	90
CT HZ FROM	1.2	CT HZ TO	60
VT HZ FROM	0-	VT HZ TO	60
HTR-VOLTS	N/A	HTR-AMPS	N/A
WATTS	N/A	MAX. SPACE HEATER TEMP.	N/A

Parts List		
Part Number	Description	Quantity
SA268130	SA 07M686X814G1	1.000 EA
RA254793	RA 07M686X814G1	1.000 EA
37FN3002C01	EXFN, PLASTIC, 6.00 OD, 1.155 ID	1.000 EA
HW3201A05	3/8-16 EYEBOLT	1.000 EA
09CB1002A05G	CONDUIT BOX, 1.00 N.P.T. (GRAY)	1.000 EA
RM1017	LEAD SEPERATOR GASKET MODEL 307 1/8" THK	1.000 EA
51XW2520A12	.25-20 X .75, TAPTITE II, HEX WSHR SLTD	2.000 EA
11XW1032G06	10-32 X .38, TAPTITE II, HEX WSHR SLTD U	1.000 EA
HW3001B01	BRASS CUP WASHER, FOR #8 SCREW	1.000 EA
10XN2520S06	1/4 20X3/8 HX HD CAP S.S.	2.000 EA
WD1000B16	T&B CX70TN TERMINAL	2.000 EA
07EP1119A04G	206 BRG,CI FH, GRSR, RLF, DRAIN FITTING,	1.000 EA
HW4601B25	INPRO SEAL, 307 BRG, MINI66	1.000 EA
HW4500A32	FIT./EXT 1698-B (ALEMITE)GREASE FITTING	1.000 EA
HA4051A00	PLASTIC CAP FOR GREASE FITTING	2.000 EA
HW4500A17	317400 ALEMITE GREASE RELIEF	2.000 EA
HA4010A01	DRAIN PLUG,416 S.S.,W/ 1/4-28 THD & .076	1.000 EA
HW4600G51	DOME SLINGER, 4.25 OD X 1.370/1.320 ID	1.000 EA
XY3118A12	5/16-18 HEX NUT DIRECTIONAL SERRATION	4.000 EA
07EP1119A01G	307 BRG,BRG RET,GRSR,RLF,DRAIN FITTING,I	1.000 EA
HW4601B25	INPRO SEAL, 307 BRG, MINI66	1.000 EA
10XN2520A26	1/4-20X 1 5/8 HEX HD	4.000 EA
10XN2520A26	1/4-20X 1 5/8 HEX HD	4.000 EA
HW4500A01	1641B(ALEMITE)400 UNIV, GREASE FITT	1.000 EA

Parts List (continued)		
Part Number	Description	Quantity
HA4051A00	PLASTIC CAP FOR GREASE FITTING	2.000 EA
HW4500A17	317400 ALEMITE GREASE RELIEF	2.000 EA
HA4010A01	DRAIN PLUG,416 S.S.,W/ 1/4-28 THD & .076	1.000 EA
07FH1001A16G	SPL FAN HOUSING, 307, W/GREASER,SH HOLE,	1.000 EA
10XN2520A28	1/4-20X 1 3/4 HEX HD	3.000 EA
WD4100A91	DP-1375 HEYCO DOME PLUGS P/N 2753 BLACK	1.000 EA
WD4100A02	DP-1000 HEYCO PLUG OR 62MP1000 MICRO PL	1.000 EA
12CB1503A03G	CONDUIT BOX LID, MACH (GRAY), WITH LIP	1.000 EA
09GS1013A01	09 GS FOR 09CB3501 LID - BLACK NEOPRENE	1.000 EA
10XN2520A12	O1/4-20X 3/4 HEX HEAD CAP	2.000 EA
HW1001A25	LOCKWASHER 1/4, ZINC PLT .493 OD, .255 I	2.000 EA
HW2501F21	KEY, 5/16 SQ X 2.375	1.000 EA
HA7000A02	KEY RETAINER RING, 1 1/8 DIA, 1 3/8 DIA	1.000 EA
MJ5001A27	32220KN GRAY SEALER *MIN BUY 4 QTS=1GAL	0.001 QT
MJ5004A59	ADHESIVE LOCTITE #401 SURFACE INSENSITIV	0.010 EA
MJ1000A73	INPRO P-80 ASSEMBLY LUB./ 1 QT. CONTAIN	0.001 QT
85XU0407S04	4X1/4 U DRIVE PIN STAINLESS	4.000 EA
LB1115N	LABEL,LIFTING DEVICE (ON ROLLS)	1.000 EA
LT0019A00	MOTOR NO-LOAD PERFORMANCE DATA SHEET	1.000 EA
WD1000D21	TRM,T&B #B71M,RING,18-14,.25,NON-INSL	3.000 EA
MJ1000A62	GREASE - MOBILITH SHC220, HC9455	0.050 LB
HA3104A32	THRUBOLT- 5/16-18 X12.750	4.000 EA
MG1025N19	WILKOFASST, 778.50, RELIANCE BLUE-GREEN	0.036 GA
LB1119N	WARNING LABEL	1.000 EA

Product Information Packet: ECP63770TR-4 - 7.5HP,1765RPM,3PH,60HZ,213T,0737M,TEFC,F

LB1449	DIV-2/NEC WARNING LABEL	1.000 EA
NP3200E	SS IEEE661 DIV-2 UL CSA-C US EEV PREM	1.000 EA
NP3187E	SS IEEE661 INV AUX DATA INFORMATION	1.000 EA
LC0006	CONNECTION LABEL	1.000 EA
07PA1011	PKG GRP, 07 CAST IRON PK1181	1.000 EA
10XL3808A28	3/8 X 1 3/4" LAG SCREW	2.000 EA
MN416A01	TAG-INSTAL-MAINT no wire (1000/bx) 11/14	1.000 EA

AC Induction Motor Performance Data

Record # 51816 - Typical performance - not guaranteed values

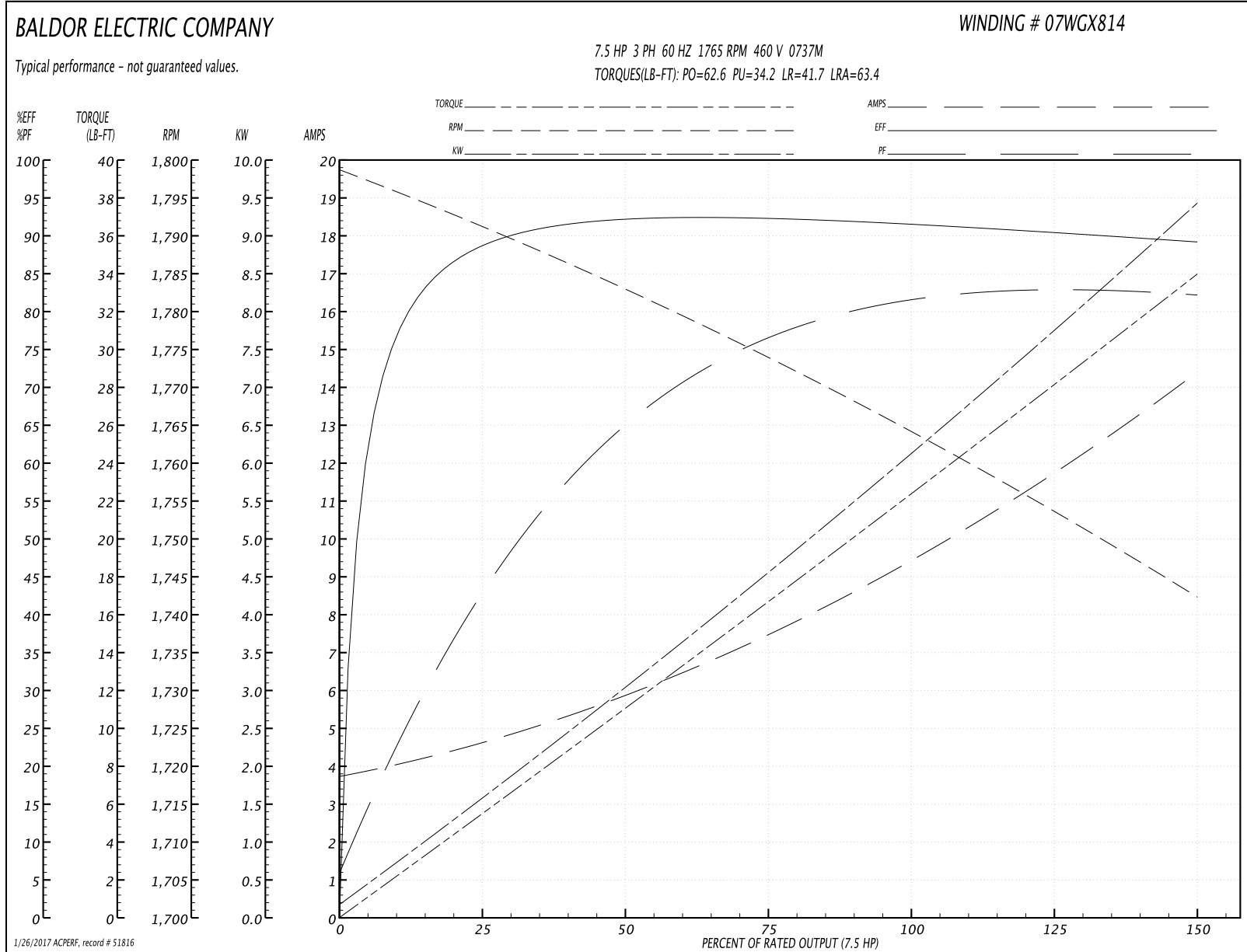
Winding: 07WGX814-R056	Type: 0737M	Enclosure: TEFC
-------------------------------	--------------------	------------------------

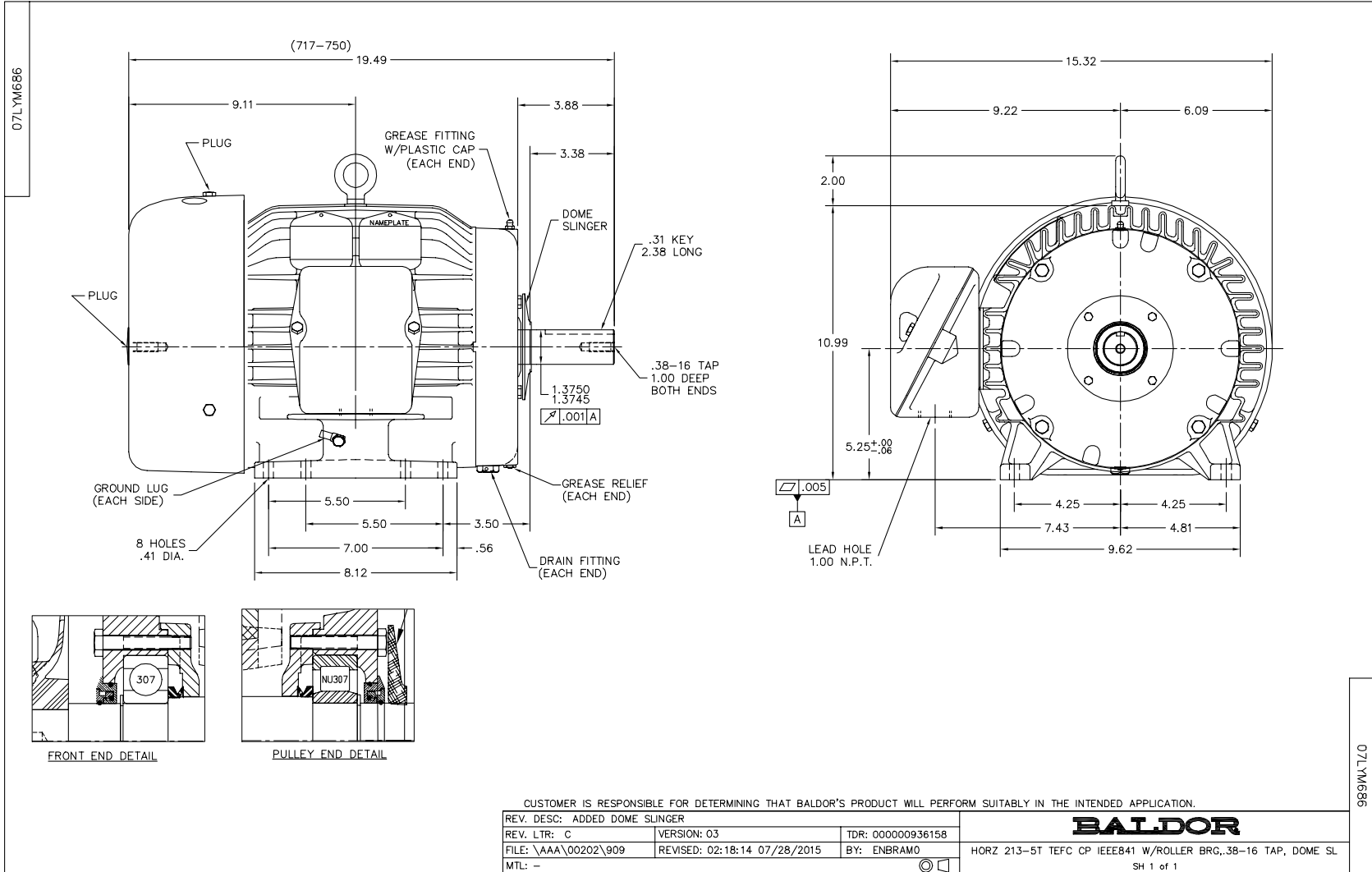
Nameplate Data				460 V, 60 Hz: Single Voltage Motor	
Rated Output (HP)	7.5			Full Load Torque	22.2 LB-FT
Volts	460			Start Configuration	direct on line
Full Load Amps	9.5			Breakdown Torque	62.6 LB-FT
R.P.M.	1765			Pull-up Torque	34.2 LB-FT
Hz	60	Phase	3	Locked-rotor Torque	41.7 LB-FT
NEMA Design Code	B	KVA Code	H	Starting Current	63.4 A
Service Factor (S.F.)	1.15			No-load Current	3.88 A
NEMA Nom. Eff.	91.7	Power Factor	81	Line-line Res. @ 25°C	1.46 Ω
Rating - Duty	40C AMB-CONT			Temp. Rise @ Rated Load	47°C
S.F. Amps				Temp. Rise @ S.F. Load	59°C
				Locked-rotor Power Factor	36.6
				Rotor inertia	0.91 LB-FT ²

Load Characteristics 460 V, 60 Hz, 7.5 HP

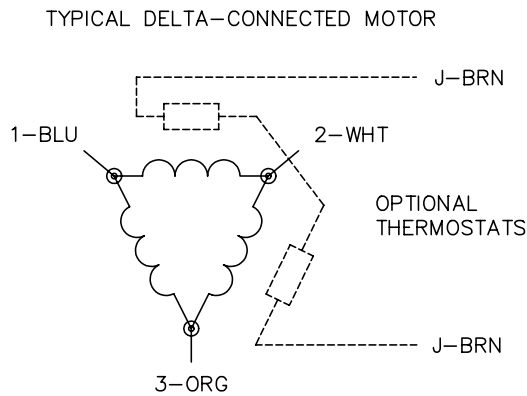
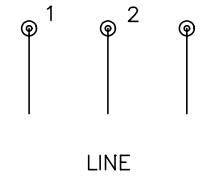
% of Rated Load	25	50	75	100	125	150	S.F.
Power Factor	45	66	76	80	82	83	81
Efficiency	88.3	91.5	92.2	91.8	90.9	89	91.3
Speed	1791	1783	1774	1765	1754	1742	1758
Line amperes	4.44	5.72	7.43	9.51	11.8	14.3	10.9

Performance Graph at 460V, 60Hz, 7.5HP Typical performance - Not guaranteed values





CD0006



NOTES:

1. THREE LEAD MOTOR MAY BE EITHER WYE CONNECTED OR DELTA CONNECTED.
2. INTERCHANGE ANY TWO LINE LEADS TO REVERSE ROTATION.
3. OPTIONAL THERMOSTATS ARE PROVIDED WHEN SPECIFIED.
4. ACTUAL NUMBER OF INTERNAL PARALLEL CIRCUITS MAY VARY.
5. LEAD COLORS ARE OPTIONAL. LEADS MUST BE NUMBERED AS SHOWN.

REV. DESC: REVISE TO SHOW OPTIONAL COLORS			
REV. LTR: D	BY: JLP	REVISED: 01/21/99 4:02	TDR: 0171435
9000D		FILE: AAA00005141	MDL: -
		MTL: -	

BALDOR ELECTRIC Co.

3PH, SV, 3 LEADS, WYE OR DELTA CONNECTED

CD0006

Marketing maintained PDF of MN416:

<http://www.baldor.com/support/Literature/Load.ashx/MN416?ManNumber=MN416>