

BALDOR® • ***RELIANCE***

Product Information Packet

ECP84408T-5

250HP, 1785RPM, 3PH, 60HZ, 449T, A44140M, TEFC

Part Detail							
Revision:	J	Status:	PRD/A	Change #:		Proprietary:	No
Type:	AC	Prod. Type:	A44140M	Elec. Spec:	A44WG1503	CD Diagram:	416820-036
Enclosure:	TEFC	Mfg Plant:		Mech. Spec:		Layout:	617427-063
Frame:	449T	Mounting:	F1	Poles:	04	Created Date:	08-21-2012
Base:		Rotation:	PS	Insulation:	F	Eff. Date:	05-23-2016
Leads:	3#1 (02 per group)					Replaced By:	
Literature:		Elec. Diagram:					

Nameplate NP3237												
CAT NO	ECP84408T-5	SPEC NO.	P44G3985									
HP	250	AMPS	220	VOLTS	575							
FRAME SIZE	449T	RPM	1785	HZ	60	AMB	40	SF	1.15	DESIGN	B	
D.E. BRG.DATA	6318	O.D.E. BRG.DATA	6318		PH	3		DUTY	CONT		INSUL.CLASS	F
D.E. BRG.	90BC03J30X	TYPE	P	ENCL	TEFC	CODE	G					
O.D.E. BRG.	90BC03J30X	POWER FACTOR	88		NEMA-NOM-EFFICIENCY	96.2						
3/4 LOAD EFF.	96.6	IP	56	MAX CORR KVAR	43.0							
TEMP CODE	T3	TEMP =	200		GUARANTEED EFFICIENCY	95.4						
CHP HZ	60-90	CT HZ	30-60		VT HZ	0-60						
INVERTER-TEMP-CODE	T3	SER.NO.			MOTOR WEIGHT	2932						

Nameplate 000613007EX

CAT NO	ECP84408T-5	SPEC NO.	P44G3985
NO. ROTOR BARS	58	GREASE TYPE	POLYREX EM
NO. SLOTS	72	NL AMPS AT RATED VOLTAGE	57.9
5 YEAR WARRANTY		WINDING RES @25 C	.0241
MFG. DATE		SER.NO	
			OHMS

Parts List		
Part Number	Description	Quantity
SA249752	SA P44G3985	1.000 EA
RA236612	RA P44G3985	1.000 EA
000613006PU	N/P (RELEASE QTY 10,000) UL CSA LABEL	1.000 EA
NP3237	SS SUPER E INVERTER DUTY IEEE 841	1.000 EA
000613007EX	SS IEEE 841 EMBOSSED AUXILIARY NAMEPLATE	1.000 EA
000692000FF	N/P	1.000 EA
000692000JP	N/P	1.000 EA
000692000VD	LABEL WARNING	1.000 EA
004824015A	GREASE POLYREX EM	1.156 LB
032018008CK	HHCS 3/8-16X1L PLATED	4.000 EA
032018020FK	HHCS 3/4-10X2-1/2 PLTD.	4.000 EA
032018036DK	HHCS 1/2-13X4-1/2 PLTD.	3.000 EA
032620016LA	SOCKET SET SCREW-449	3.000 EA
034017014AB	LCKW 3/8 STD. PLATED	4.000 EA
034180014DA	KEY 1/4X1/4X1-3/4 L	1.000 EA
034530072AB	P/NIP 1/8X9"L Threaded both ends	1.000 EA
034530072BB	PIPE NIPPLE,DE - 440-BS	1.000 EA
034600001AA	BUSH 1/4TO1/8 BLACK	1.000 EA
034630002AB	CPLG 1/4" PLATED	1.000 EA
034690005AB	PPLG 3/4 PLATED	2.000 EA
035000001G	GREASE RELIEF FITTING, ALEMITE 317400	1.000 EA
089490099D	G28 BRKT 089490098WCA	1.000 EA
412118006A	DRAIN	1.000 EA
078548001R	FAN KB 234/150 (84) 400	1.000 EA

Parts List (continued)		
Part Number	Description	Quantity
083199082RA	G28 SHORT FAN COVER W/BAFFLE ASSEMBLY	1.000 EA
089490099D	G28 BRKT 089490098WCA	1.000 EA
410700004A	WSHR	1.000 EA
412118006A	DRAIN	1.000 EA
415028021L	SEAL - 449	1.000 EA
415072001B	CLAMP	1.000 EA
415096002A	CPLG 1/8 HEX TYPE	1.000 EA
423709011D	WASHER	3.000 EA
032018004BK	HHCS 5/16-18X1/2 PLATED	3.000 EA
032018006BK	HHCS 5/16-18X3/4 PLATED	3.000 EA
032018020FK	HHCS 3/4-10X2-1/2 PLTD.	4.000 EA
032018036DK	HHCS 1/2-13X4-1/2 PLTD.	3.000 EA
034017013AB	LCKW 5/16 STD. PLATED	3.000 EA
034530072AB	P/NIP 1/8X9"L Threaded both ends	1.000 EA
415915007G	GASK, LAC	1.000 FT
034530072BB	PIPE NIPPLE,DE - 440-BS	1.000 EA
034600001AA	BUSH 1/4TO1/8 BLACK	1.000 EA
034630002AB	CPLG 1/4" PLATED	1.000 EA
035000001G	GREASE RELIEF FITTING, ALEMITE 317400	1.000 EA
415028021L	SEAL - 449	1.000 EA
415096002A	CPLG 1/8 HEX TYPE	1.000 EA
418151014G	RETAIN RING	1.000 EA
423709011D	WASHER	3.000 EA
702623022A	G28 AIR DEFLECTOR DRIVE END -- PLASTIC	1.000 EA

Product Information Packet: ECP84408T-5 - 250HP,1785RPM,3PH,60HZ,449T,A44140M,TEFC

702623013A	THERMAL BARRIER -- G28 -- BRACKET MTD	1.000 EA
032018008BK	HHCS 5/16-18X1L PLATED	4.000 EA
032018008DK	HHCS 1/2-13X1 PLATED	4.000 EA
033512004LB	HHTTS 1/4-20X1/2 PLTD.	1.000 EA
035000001A	ALFTG 1/8" 1610-BL	1.000 EA
035000001A	ALFTG 1/8" 1610-BL	1.000 EA
067053014A	GASK 440	1.000 EA
076870000B	+CBCST BLKT - 440	1.000 EA
076871000A	+CBOX CVR BLKT - 449	1.000 EA
406056007A	GASKET, 440	1.000 EA
406099000A	PLUG - FAN COVER 320-440	1.000 EA
415000103D	T/LUG #4AWG-1/0AWG W/HOLE FOR .250 BOLT	1.000 EA
418150003A	GREASE FITTING CAP	1.000 EA
418150003A	GREASE FITTING CAP	1.000 EA
033775004EA	DRSCR #6-1/4 304 S.S.	2.000 EA
034180054KA	KEY 7/8X7/8X6-3/4 L	1.000 EA
MG1025N19	WILKO 778.50 BLUE GREEN - 55 GAL DRUMS	0.375 GA
004824003CBY	WILKO PAINT 060.02 - ACTIVATOR	0.094 GA
PK5005A01	WOOD BASE 449 60 X 41-1/2 BLT 25 X 18	1.000 EA
MG1500G03-5	LACQUER PRIMER, GRAY	0.094 GA
421948051	LABEL, MYLAR	1.000 EA
LB1449	DIV-2/NEC WARNING LABEL	1.000 EA

REL. S.O.	FRAME	HP	TYPE	PHASE/HERTZ	RPM	VOLTS
	449T	250	P	3/60	1785	575
AMPS	DUTY	AMB °C/ INSUL.	S.F.	NEMA DESIGN	CODE LETTER	ENCL.
220	CONT	40/F	1.15	B	G	TEFC
E/S	ROTOR	TEST S.O.	TEST DATE	STATOR RES. @25 °C (BETWEEN LINES)		
833162	418143050YE	---	---	.0241		

PERFORMANCE

LOAD	HP	AMPERES	RPM	POWER FACTOR %	EFFICIENCY %
NO LOAD	0	57.9	1800	3.23	0
1/4	62.6	84.7	1796	58.0	95.4
2/4	125	124	1792	78.4	96.7
3/4	187	171	1788	85.2	96.6
4/4	250	222	1784	87.6	96.2
5/4	313	277	1779	88.3	95.7

SPEED TORQUE

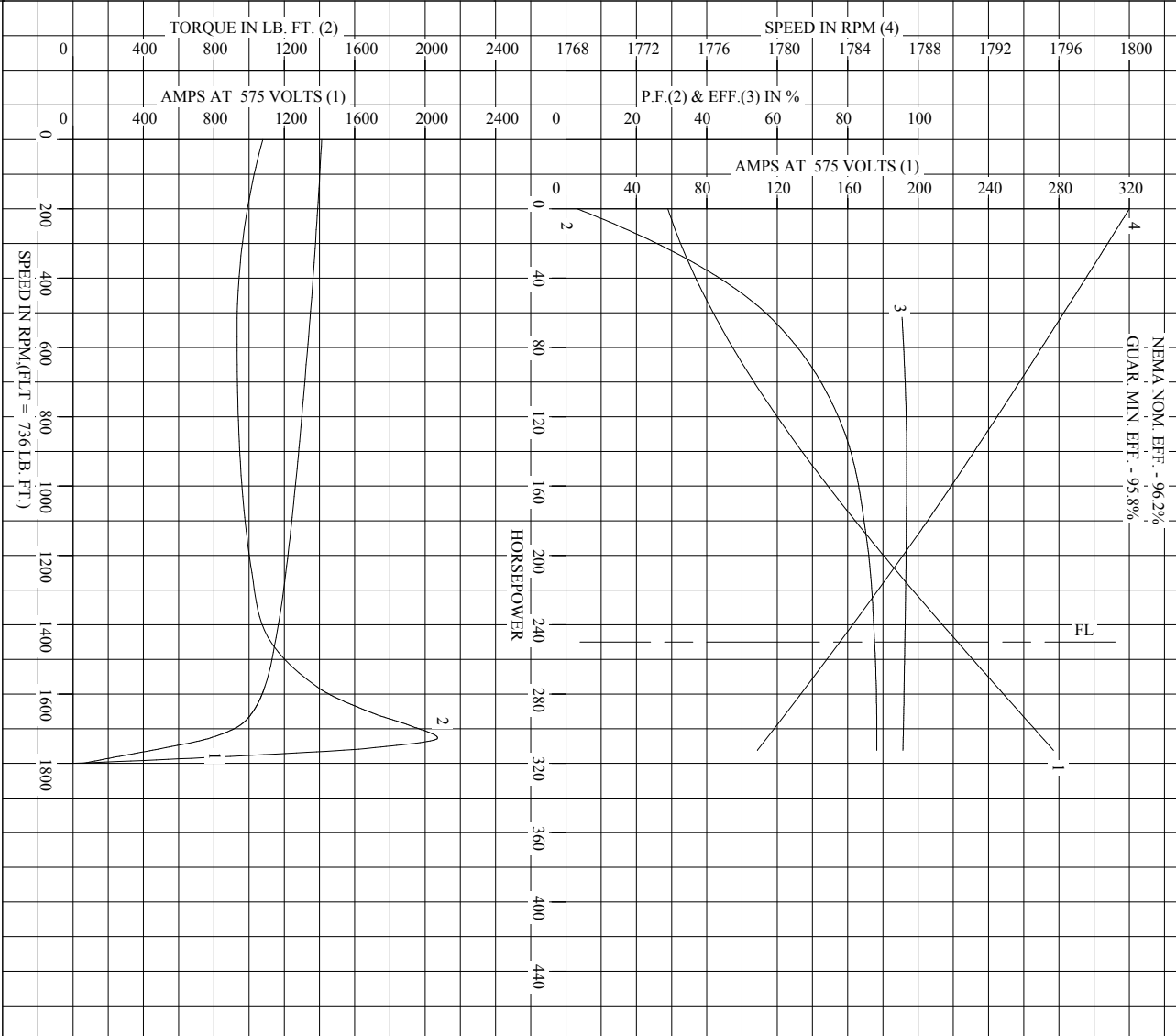
	RPM	TORQUE % FULL LOAD	TORQUE LB.-FT.	AMPERES
LOCKED ROTOR	0	146	1077	1412
PULL UP	550	127	932	1341
BREAKDOWN	1727	281	2071	777
FULL LOAD	1784	100	736	222

AMPERES SHOWN FOR 575. VOLT CONNECTION. IF OTHER VOLTAGE CONNECTIONS ARE AVAILABLE, THE AMPERES WILL VARY INVERSELY WITH THE RATED VOLTAGE

REMARKS: TYPICAL DATA
NEMA NOM. EFF. - 96.2%
GUAR. MIN. EFF. - 95.8%

BALDOR	DR. BY J.J.HARRISON	A-C MOTOR	
	CK. BY T.RELATI		PERFORMANCE DATA
	APP. BY T.RELATI		ISSUE DATE 12/18/10
	DATE 07/12/10		

REL. S.O. _____ RPM 1785 S.F. 1.15 ROTOR 418143050YE
 FRAME 449T VOLTS 575 NEMA DESIGN B TEST S.O. TYPICAL DATA
 HP 250 AMPS 220 CODE LETTER G
 TYPE P DUTY CONT ENCLOSURE TEFC STATOR RES. @ 25 °C .0241
 PHASE/HERTZ 3/60 AMB °C/INSUL 40/F E/S 833162 OHMS (BETWEEN LINES)



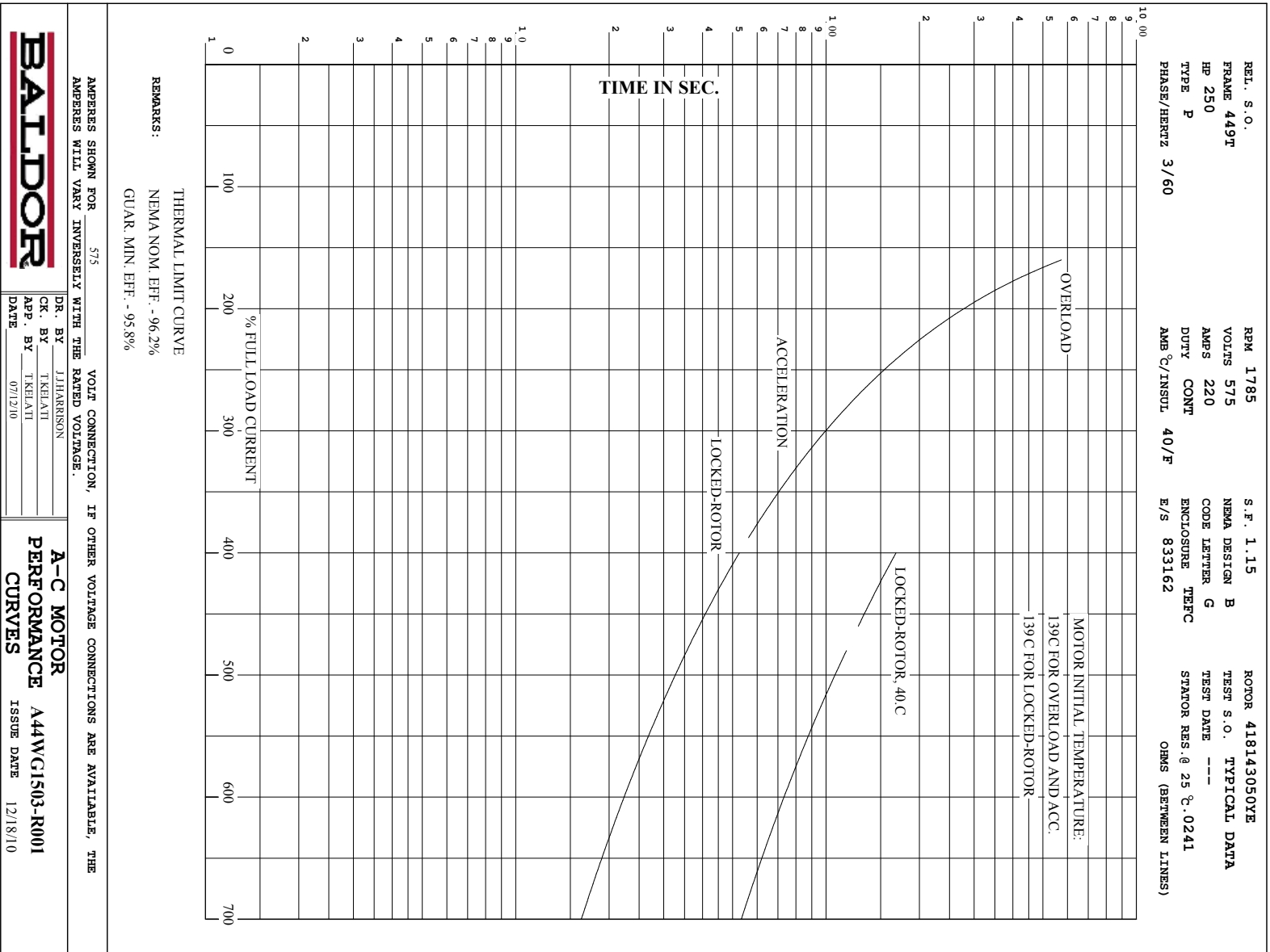
AMPERES SHOWN FOR 575 VOLT CONNECTION, IF OTHER VOLTAGE CONNECTIONS ARE AVAILABLE, THE AMPERES WILL VARY INVERSELY WITH THE RATED VOLTAGE.

BALDOR

DR. BY J.J. HARRISON
 CK. BY T.KHATI
 APP. BY T.KHATI
 DATE 07/12/10

A-C MOTOR PERFORMANCE CURVES A44WG1503-R001
 ISSUE DATE 12/18/10

Printed on 12/18/10 6:16 @ pscs-motoreng



REMARKS: THERMAL LIMIT CURVE
 NEMA NOM. EFF. - 96.2%
 GUAR. MIN. EFF. - 95.8%

AMPERES SHOWN FOR 575 VOLT CONNECTION, IF OTHER VOLTAGE CONNECTIONS ARE AVAILABLE, THE AMPERES WILL VARY INVERSELY WITH THE RATED VOLTAGE.

BALDOR	A-C MOTOR PERFORMANCE CURVES
DR. BY J.HARRISON	ISSUE DATE 12/8/10
CK. BY T.KELATI	ISSUE DATE 12/8/10
APP. BY T.KELATI	
DATE 07/12/10	

DUTY MASTER ALTERNATING CURRENT MOTORS
SQUIRREL-CAGE INDUCTION

ENCLOSURE: TOTALLY ENCLOSED

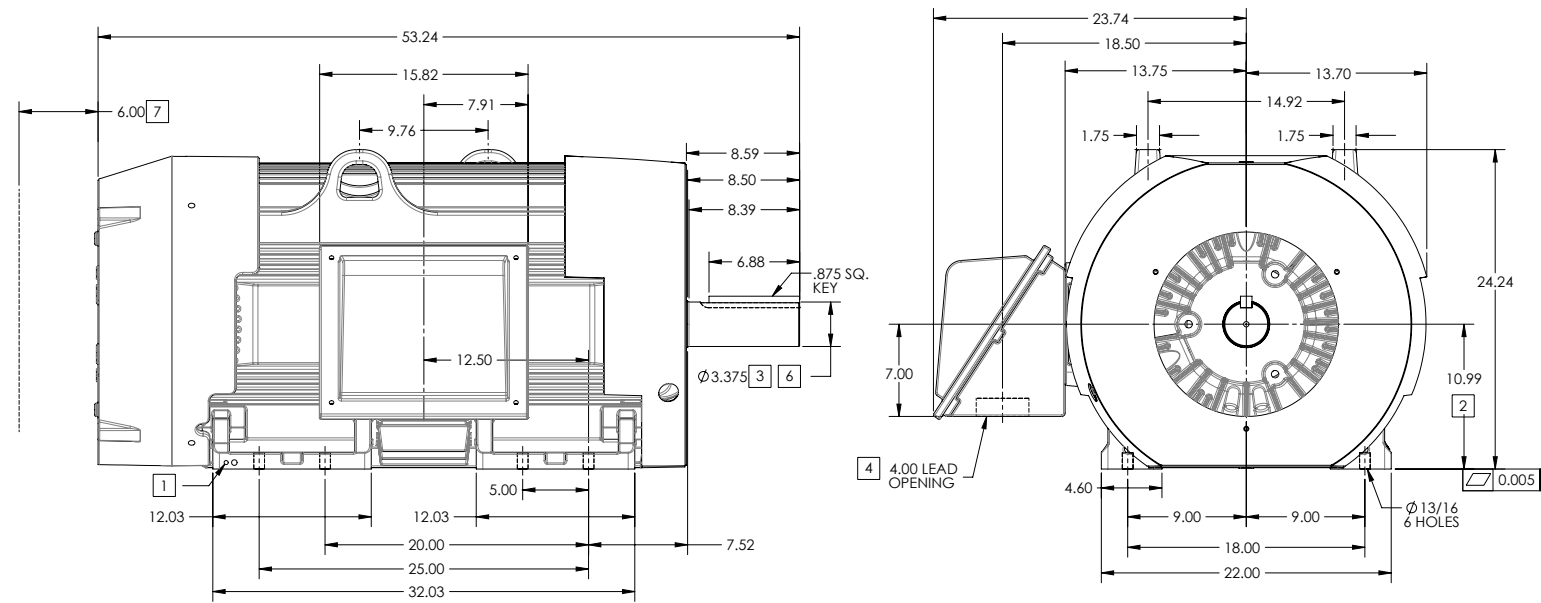
FRAME 449T ABOVE NEMA RATINGS (1800 RPM MAX)

COOLING: FAN COOLED

MOUNTING: FOOT

INCLUDES 447T FRAME MOUNTING HOLES

841XL ENCLOSURE ENHANCEMENT



1. GROUND HOLES QTY 1 1/2-13 TAP; QTY 1 3/8-16 TAP
2. VARIES +.00,-.06
3. VARIES +.00,-.001
4. ON STANDARD MOTORS THIS IS CONDUIT SIZE. ON XT AND CORROSION PROOF MOTOR THIS IS PIPE TAP.
5. MOTOR WEIGHTS MAY VARY BY 15% DEPENDING ON RATING.
6. SHAFT TIR = 0.0015 IN FOR BALL BEARING MOTORS AND 0.002 IN FOR ROLLER BEARING CONSTRUCTION
7. OBSTRUCTION MUST NOT ENCROACH ON AIR INLET

[5] WEIGHT (LBS): 3080

DRIVE END AIR DEFLECTOR IS ONLY INCLUDED WHEN NECESSARY.

DIMENSIONS ARE IN INCHES; SEE SHEET 2 FOR DIMENSIONS IN MILLIMETERS

CUSTOMER IS RESPONSIBLE FOR DETERMINING THAT MOTOR PERFORMANCE IS SUITABLE IN THE APPLICATION.

CONDUIT BOX LOCATED ON OPPOSITE SIDE WHEN F-2.
IF MOUNTING CLEARANCE DETAILS ARE REQUIRED, CONSULT FACTORY.

SHEET NUMBER
1 OF 2
617427-063

REV. DESC: REMOVING SHAFT STRAIGHTING NOTES AT BOTTOM	VERSION: 02	REVISED: 11-13-53 10/04/2014	TDR: 00000874636
MODEL NO. 617427-063	BY: RAGRA		

BALDOR
G449T/447T STD - FOOTED - SIDE CENTER CB - 841XL

617427-063

DUTY MASTER ALTERNATING CURRENT MOTORS
SQUIRREL-CAGE INDUCTION

ENCLOSURE: TOTALLY ENCLOSED

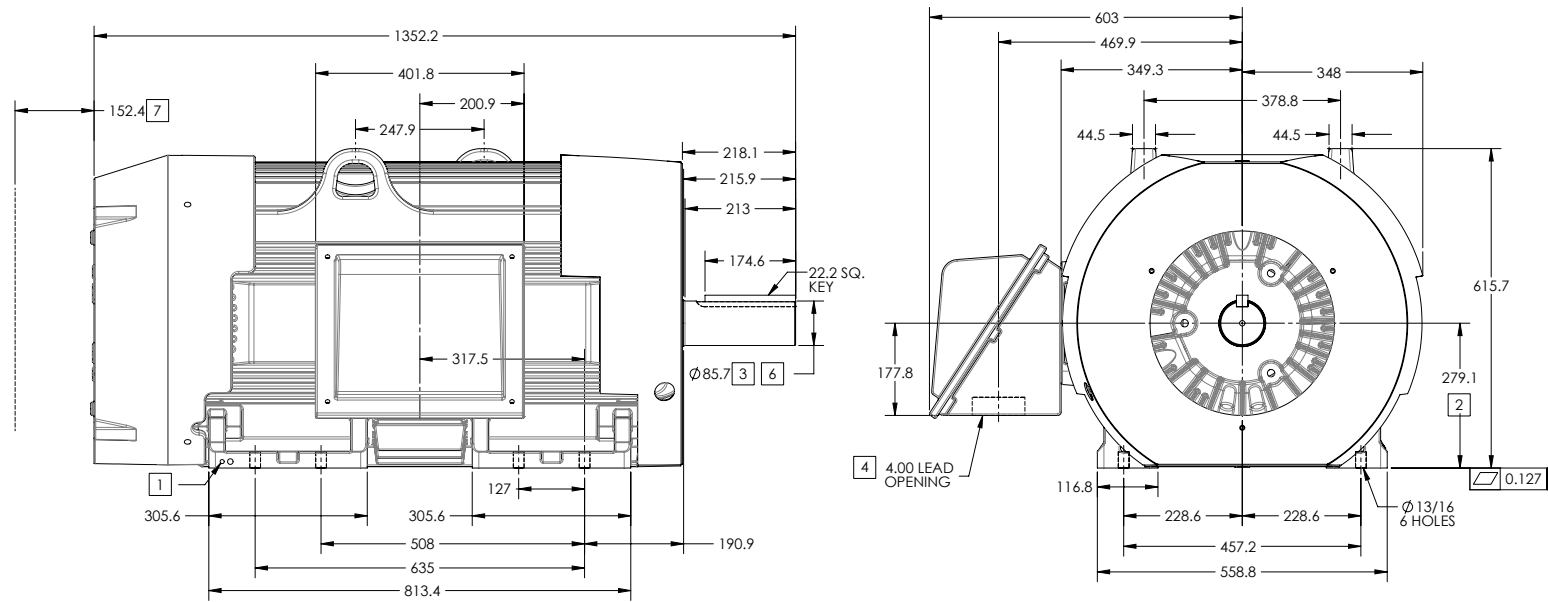
FRAME 449T ABOVE NEMA RATINGS (1800 RPM MAX)

COOLING: FAN COOLED

MOUNTING: FOOT

INCLUDES 447T FRAME MOUNTING HOLES

841XL ENCLOSURE ENHANCEMENT



1. GROUND HOLES QTY 1 1/2-13 TAP; QTY 1 3/8-16 TAP
2. VARIES +.00,-.06
3. VARIES +.00,-.001
4. ON STANDARD MOTORS THIS IS CONDUIT SIZE. ON XT AND CORROSION PROOF MOTOR THIS IS PIPE TAP.
5. MOTOR WEIGHTS MAY VARY BY 15% DEPENDING ON RATING.
6. SHAFT TIR = 0.038MM FOR BALL BEARING MOTORS AND 0.051MM FOR ROLLER BEARING CONSTRUCTION
7. OBSTRUCTION MUST NOT ENCR OACH ON AIR INLET

[5] WEIGHT (KGS): 1400

DRIVE END AIR DEFLECTOR IS ONLY INCLUDED WHEN NECESSARY.

DIMENSIONS ARE IN MILLIMETERS; SEE SHEET 1 FOR DIMENSIONS IN INCHES

CUSTOMER IS RESPONSIBLE FOR DETERMINING THAT MOTOR PERFORMANCE IS SUITABLE IN THE APPLICATION.

CONDUIT BOX LOCATED ON OPPOSITE SIDE WHEN F-2.
IF MOUNTING CLEARANCE DETAILS ARE REQUIRED, CONSULT FACTORY.

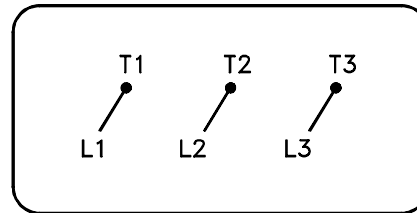
SHEET NUMBER
2 OF 2

REV. DESC: REMOVING SHAFT STRAIGHTING NOTES AT BOTTOM			
REV: B	VERSION: 02	REVISED: 11-13-53 10/04/2014	TDR: 00000874636
MODEL NO. 617427-063			
BY: RAGRA			

BALDOR
G449T/447T STD - FOOTED - SIDE CENTER CB - 841XL

416820-036

A-C MOTOR
 CONNECTION DIAGRAM
 STANDARD 3 LEAD CONNECTED



(N.P. 1575-BA)

416820-036

REV. DESC: LOADED TO BUS, C/R 335225		
REV. LTR: -	VERSION: 00	TDR: 000000538207
FILE: \MGA\00000\682	REVISED: 11:54:06 04/30/2010	
MTL: -	BY: RAGRA	

BALDOR

CONN DIAG - STANDARD 3 LEAD

SH 1 of 1

Marketing maintained PDF of MN408:

<http://www.baldor.com/support/Literature/Load.ashx/MN408?ManNumber=MN408>

Marketing maintained PDF of MN416:

<http://www.baldor.com/support/Literature/Load.ashx/MN416?ManNumber=MN416>