

BALDOR® • RELIANCE

Product Information Packet

ECP84416T-5

200HP,3575RPM,3PH,60HZ,447TS,A44078M,TEF

| Part Detail | | | | | | | |
|-------------|--------------------|----------------|---------|-------------|-----------|---------------|------------|
| Revision: | J | Status: | PRD/A | Change #: | | Proprietary: | No |
| Type: | AC | Prod. Type: | A44078M | Elec. Spec: | A44WG1595 | CD Diagram: | 416820-036 |
| Enclosure: | TEFC | Mfg Plant: | | Mech. Spec: | | Layout: | 617427-065 |
| Frame: | 447TS | Mounting: | F1 | Poles: | 02 | Created Date: | 08-20-2012 |
| Base: | | Rotation: | PS | Insulation: | F | Eff. Date: | 05-23-2016 |
| Leads: | 3#1 (02 per group) | | | | | Replaced By: | |
| Literature: | | Elec. Diagram: | | | | | |

| Nameplate NP3237 | | | | | | | | | | | |
|--------------------|-------------|-----------------------|----------|---------------|-------|------|----|-------------|------|--------|---|
| CAT NO | ECP84416T-5 | SPEC NO. | P44G3974 | | | | | | | | |
| HP | 200 | AMPS | 177 | VOLTS | 575 | | | | | | |
| FRAME SIZE | 447TS | RPM | 3575 | HZ | 60 | AMB | 40 | SF | 1.15 | DESIGN | B |
| D.E. BRG.DATA | 6313 | O.D.E. BRG.DATA | 6313 | | PH | 3 | | | | | |
| D.E. BRG. | 65BC03J30X | TYPE | P | ENCL | TEFC | CODE | F | | | | |
| O.D.E. BRG. | 65BC03J30X | POWER FACTOR | 88 | | | | | | | | |
| 3/4 LOAD EFF. | 96.2 | IP | 56 | MAX CORR KVAR | 30.0 | | | | | | |
| TEMP CODE | T2C | TEMP = | 230 | | | | | | | | |
| CHP HZ | 60-75 | CT HZ | 30-60 | | VT HZ | 0-60 | | | | | |
| INVERTER-TEMP-CODE | T2C | NEMA-NOM-EFFICIENCY | 96.2 | | | | | | | | |
| SER.NO. | | MOTOR WEIGHT | 2182 | | | | | | | | |
| | | DUTY | CONT | | | | | INSUL.CLASS | F | | |
| | | GUARANTEED EFFICIENCY | 95.4 | | | | | | | | |

Nameplate 000613007EX

| | | | |
|-----------------|-------------|--------------------------|------------|
| CAT NO | ECP84416T-5 | SPEC NO. | P44G3974 |
| NO. ROTOR BARS | 40 | GREASE TYPE | POLYREX EM |
| NO. SLOTS | 48 | NL AMPS AT RATED VOLTAGE | 49.8 |
| 5 YEAR WARRANTY | | WINDING RES @25 C | 0.0226 |
| MFG. DATE | | SER.NO | |
| | | | OHMS |
| | | | |
| | | | |

| Parts List | | |
|-------------|--|----------|
| Part Number | Description | Quantity |
| SA249742 | SA P44G3974 | 1.000 EA |
| RA236602 | RA P44G3974 | 1.000 EA |
| 000613006PU | N/P (RELEASE QTY 10,000) UL CSA LABEL | 1.000 EA |
| NP3237 | SS SUPER E INVERTER DUTY IEEE 841 | 1.000 EA |
| 000613007EX | SS IEEE 841 EMBOSSED AUXILIARY NAMEPLATE | 1.000 EA |
| 000692000FF | N/P | 1.000 EA |
| 000692000JP | N/P | 1.000 EA |
| 000692000VD | LABEL WARNING | 1.000 EA |
| 000692000VH | N/P | 1.000 EA |
| 004824015A | GREASE POLYREX EM | 0.544 LB |
| 032018008CK | HHCS 3/8-16X1L PLATED | 4.000 EA |
| 032018020FK | HHCS 3/4-10X2-1/2 PLTD. | 4.000 EA |
| 032018028CK | HHCS 3/8-16X3-1/2 PLTD. | 3.000 EA |
| 032620016LA | SOCKET SET SCREW-449 | 3.000 EA |
| 034017014AB | LCKW 3/8 STD. PLATED | 4.000 EA |
| 034180014DA | KEY 1/4X1/4X1-3/4 L | 1.000 EA |
| 034530072AB | P/NIP 1/8X9"L Threaded both ends | 1.000 EA |
| 034530072BB | PIPE NIPPLE,DE - 440-BS | 1.000 EA |
| 034600001AA | BUSH 1/4TO1/8 BLACK | 1.000 EA |
| 034630002AB | CPLG 1/4" PLATED | 1.000 EA |
| 034690005AB | PPLG 3/4 PLATED | 2.000 EA |
| 035000001G | GREASE RELIEF FITTING, ALEMITE 317400 | 1.000 EA |
| 089490097C | BRKT,DE 089490102WCA | 1.000 EA |
| 412118006A | DRAIN | 1.000 EA |

| Parts List (continued) | | |
|------------------------|---------------------------------------|----------|
| Part Number | Description | Quantity |
| 089490097C | BRKT,DE 089490102WCA | 1.000 EA |
| 412118006A | DRAIN | 1.000 EA |
| 083199082RA | G28 SHORT FAN COVER W/BAFFLE ASSEMBLY | 1.000 EA |
| 410700004F | WSHR | 1.000 EA |
| 415028021E | SEAL | 1.000 EA |
| 415072001B | CLAMP | 1.000 EA |
| 415096002A | CPLG 1/8 HEX TYPE | 1.000 EA |
| 423709011C | WASHER | 3.000 EA |
| 702675001D | FAN 250-440 | 1.000 EA |
| 032018004BK | HHCS 5/16-18X1/2 PLATED | 3.000 EA |
| 032018020FK | HHCS 3/4-10X2-1/2 PLTD. | 4.000 EA |
| 032018028CK | HHCS 3/8-16X3-1/2 PLTD. | 3.000 EA |
| 034017013AB | LCKW 5/16 STD. PLATED | 3.000 EA |
| 034530056AB | 1/8 X 7 PP NIPPLE | 1.000 EA |
| 415915007K | GASK, 26" LAC | 1.000 EA |
| 034530056BB | P/NIP 1/4X7 SCHED 40 | 1.000 EA |
| 034600001AA | BUSH 1/4TO1/8 BLACK | 1.000 EA |
| 034630002AB | CPLG 1/4" PLATED | 1.000 EA |
| 035000001G | GREASE RELIEF FITTING, ALEMITE 317400 | 1.000 EA |
| 415028021E | SEAL | 1.000 EA |
| 415096002A | CPLG 1/8 HEX TYPE | 1.000 EA |
| 423709011C | WASHER | 3.000 EA |
| 702623012A | THERMAL BARRIER, G28 | 1.000 EA |
| 032018008BK | HHCS 5/16-18X1L PLATED | 4.000 EA |

Product Information Packet: ECP84416T-5 - 200HP,3575RPM,3PH,60HZ,447TS,A44078M,TEF

| | | |
|--------------|---|----------|
| 032018008DK | HHCS 1/2-13X1 PLATED | 4.000 EA |
| 033512004LB | HHTTS 1/4-20X1/2 PLTD. | 1.000 EA |
| 035000001A | ALFTG 1/8" 1610-BL | 1.000 EA |
| 035000001A | ALFTG 1/8" 1610-BL | 1.000 EA |
| 067053014A | GASK 440 | 1.000 EA |
| 076870000B | +CBCST BLKT - 440 | 1.000 EA |
| 076871000A | +CBOX CVR BLKT - 449 | 1.000 EA |
| 406056007A | GASKET, 440 | 1.000 EA |
| 406099000A | PLUG - FAN COVER 320-440 | 1.000 EA |
| 415000103D | T/LUG #4AWG-1/0AWG W/HOLE FOR .250 BOLT | 1.000 EA |
| 418150003A | GREASE FITTING CAP | 1.000 EA |
| 418150003A | GREASE FITTING CAP | 1.000 EA |
| 033775004EA | DRSCR #6-1/4 304 S.S. | 2.000 EA |
| 034180024HA | KEY 5/8X5/8X3 L | 1.000 EA |
| MG1025N19 | WILKO 778.50 BLUE GREEN - 55 GAL DRUMS | 0.375 GA |
| 004824003CBY | WILKO PAINT 060.02 - ACTIVATOR | 0.094 GA |
| MG1500G03-5 | LACQUER PRIMER, GRAY | 0.094 GA |
| 421948051 | LABEL, MYLAR | 1.000 EA |
| 604797056 | WOOD BASE 447 60 X 41-1/2 BLT 20 X 18 | 1.000 EA |
| LB1449 | DIV-2/NEC WARNING LABEL | 1.000 EA |

| | | | | | | |
|-----------|--------------|-------------------|-----------|---------------------------------------|-------------|-------|
| REL. S.O. | FRAME | HP | TYPE | PHASE/HERTZ | RPM | VOLTS |
| | 445TS | 200 | P | 3/60 | 3575 | 575 |
| AMPS | DUTY | AMB °C/ INSUL. | S.F. | NEMA DESIGN | CODE LETTER | ENCL. |
| 177 | CONT | 40/F | 1.15 | B | F | TEFC |
| E/S | ROTOR | TEST S.O. | TEST DATE | STATOR RES. @25 °C (BETWEEN LINES) | | |
| 498377 | 418143-14-AE | --- | --- | .0226 | | |

| PERFORMANCE | | | | | | |
|-------------|------|---------|------|----------------|--------------|--|
| LOAD | HP | AMPERES | RPM | POWER FACTOR % | EFFICIENCY % | |
| NO LOAD | 0 | 49.8 | 3600 | 4.81 | 0 | |
| 1/4 | 50.0 | 65.8 | 3594 | 60.9 | 93.5 | |
| 2/4 | 100 | 97.5 | 3588 | 80.3 | 95.9 | |
| 3/4 | 150 | 136 | 3581 | 85.8 | 96.4 | |
| 4/4 | 200 | 177 | 3575 | 87.6 | 96.3 | |
| 5/4 | 250 | 220 | 3567 | 88.4 | 96.0 | |

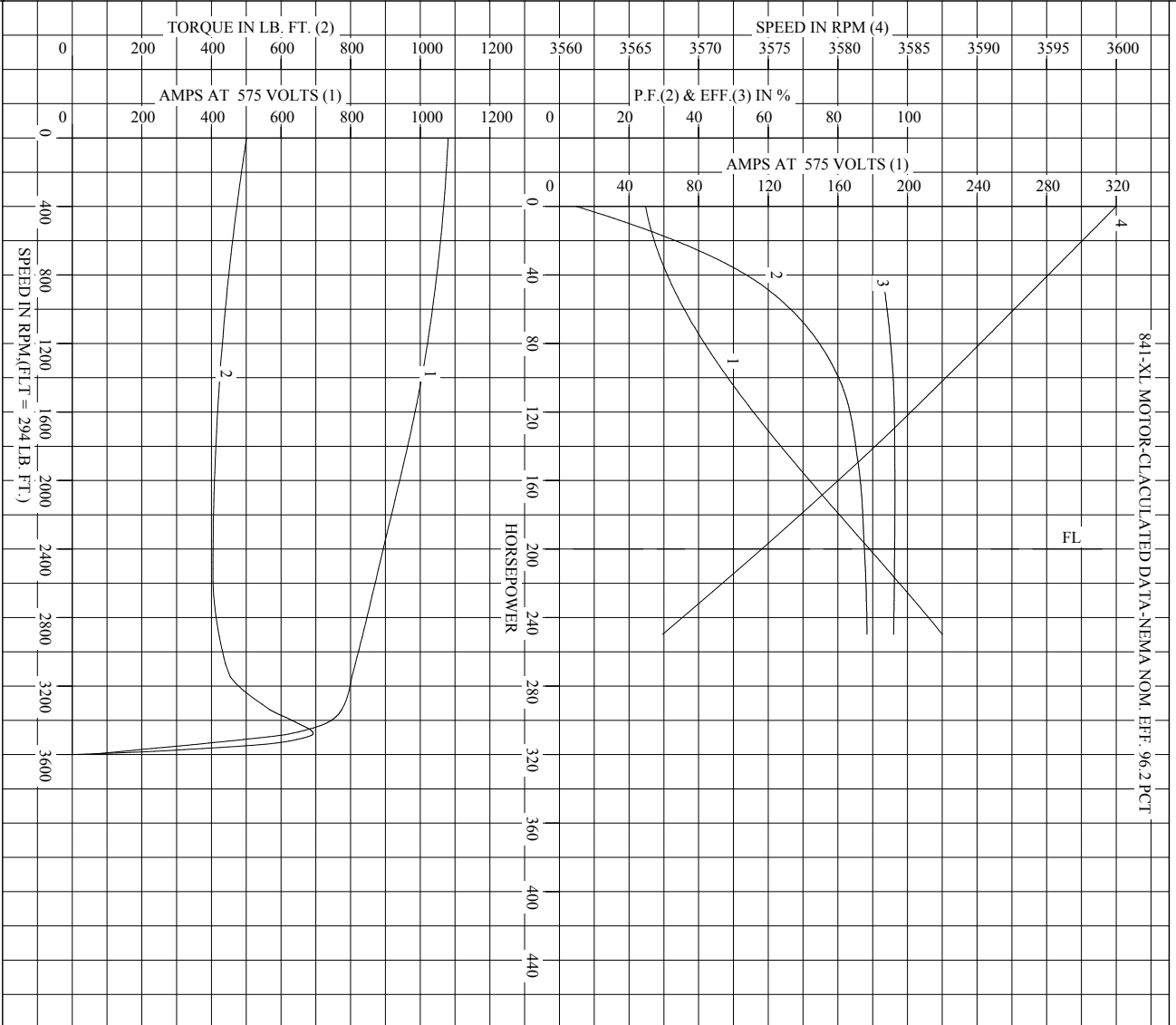
| SPEED TORQUE | | | | | | |
|--------------|------|--------------------|----------------|---------|--|--|
| | RPM | TORQUE % FULL LOAD | TORQUE LB.-FT. | AMPERES | | |
| LOCKED ROTOR | 0 | 170 | 501 | 1080 | | |
| PULL UP | 2550 | 138 | 404 | 876 | | |
| BREAKDOWN | 3477 | 236 | 692 | 630 | | |
| FULL LOAD | 3575 | 100 | 294 | 177 | | |

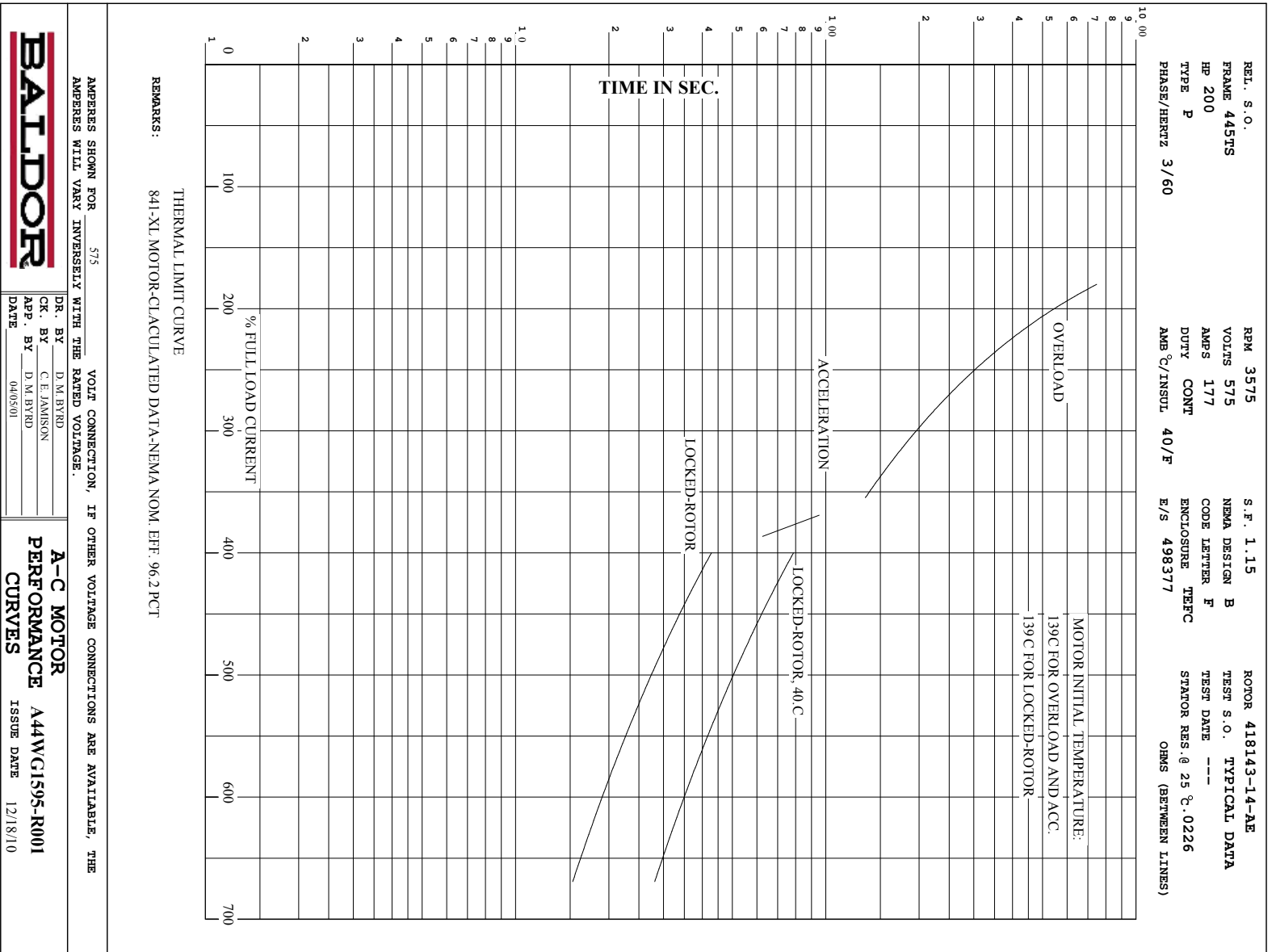
AMPERES SHOWN FOR 575. VOLT CONNECTION. IF OTHER VOLTAGE CONNECTIONS ARE AVAILABLE, THE AMPERES WILL VARY INVERSELY WITH THE RATED VOLTAGE

REMARKS: TYPICAL DATA
841-XL MOTOR-CLACULATED DATA-NEMA NOM. EFF. 96.2 PCT

| | | |
|---------------|----------------------|-------------------------|
| BALDOR | DR. BY D. M. BYRD | A-C MOTOR |
| | CK. BY C. E. JAMISON | |
| | APP. BY D. M. BYRD | PERFORMANCE DATA |
| | DATE 04/05/01 | ISSUE DATE 12/18/10 |

REL. S. O. _____ RPM 3575 S. F. 1.15 ROTOR 418143-14-AE
 FRAME 445TS VOLTS 575 NEMA DESIGN B TEST S. O. TYPICAL DATA
 HP 200 AMPS 177 CODE LETTER F
 TYPE P DUTY CONT ENCLOSURE TEFPC STATOR RES. @ 25 °C .0226
 PHASE/HERTZ 3/60 AMB C/INSUL 40/F E/S 498377 OHMS (BETWEEN LINES)





Printed on 12/18/10 7:57 @ psecs-motorzet

617427-065

DUTY MASTER ALTERNATING CURRENT MOTORS

SQUIRREL-CAGE INDUCTION

ENCLOSURE: TOTALLY ENCLOSED

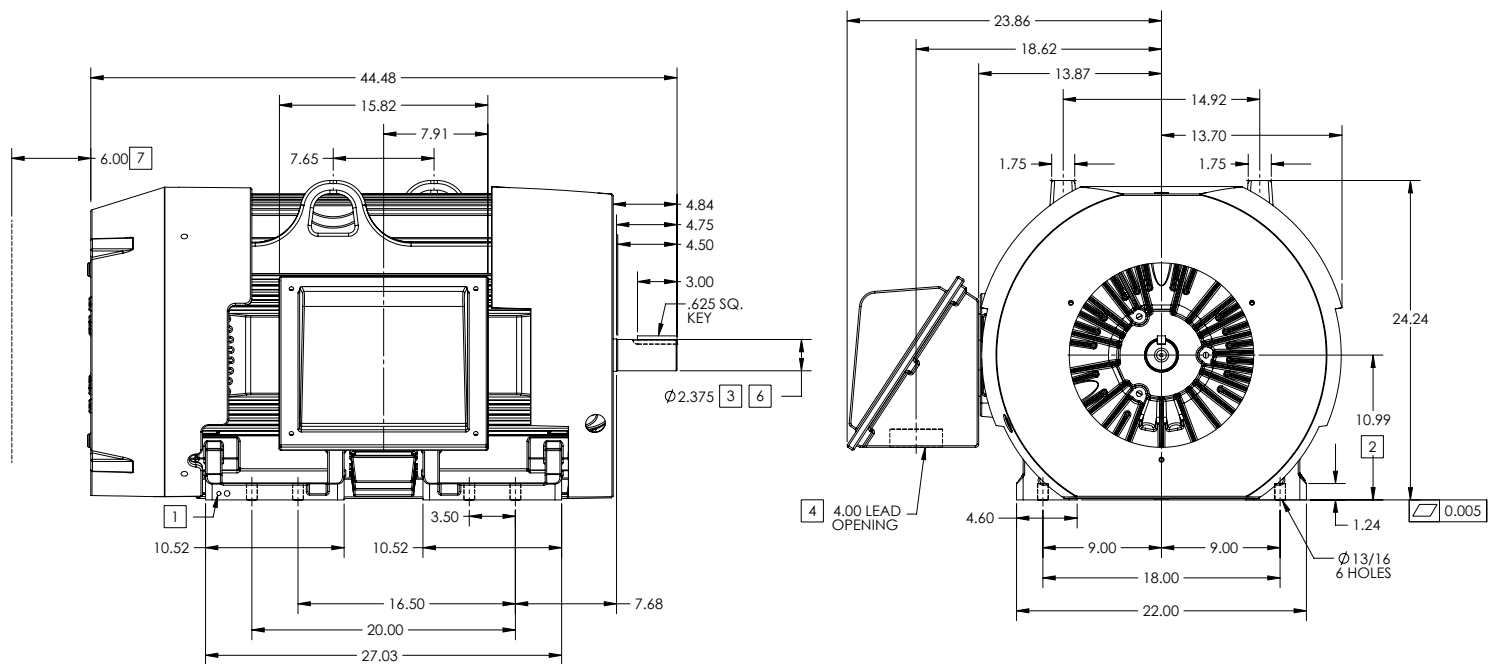
FRAME G447TS ABOVE NEMA RATINGS

COOLING: FAN COOLED

MOUNTING: FOOT

INCLUDES 445TS FRAME MOUNTING HOLES

841XL ENCLOSURE ENHANCEMENT



1. GROUND HOLES QTY 1 1/2-13 TAP; QTY 1 3/8-16 TAP
2. VARIES +.00,-.06
3. VARIES +.00,-.001
4. ON STANDARD MOTORS THIS IS CONDUIT SIZE. ON XT AND CORROSION PROOF MOTOR THIS IS PIPE TAP.
5. MOTOR WEIGHTS MAY VARY BY 15% DEPENDING ON RATING.
6. SHAFT TIR = 0.0015 IN FOR BALL BEARING MOTORS AND 0.002 IN FOR ROLLER BEARING CONSTRUCTION
7. OBSTRUCTION MUST NOT ENCRATCH ON AIR INLET

[5] WEIGHT (LBS): 2480

DRIVE END AIR DEFLECTOR IS ONLY INCLUDED WHEN NECESSARY.

DIMENSIONS ARE IN INCHES; SEE SHEET 2 FOR DIMENSIONS IN MILLIMETERS

CUSTOMER IS RESPONSIBLE FOR DETERMINING THAT MOTOR PERFORMANCE IS SUITABLE IN THE APPLICATION.

CONDUIT BOX LOCATED ON OPPOSITE SIDE WHEN F-2.
IF MOUNTING CLEARANCE DETAILS ARE REQUIRED, CONSULT FACTORY.
MAXIMUM PERMISSIBLE SHAFT RUNOUT WHEN MEASURED AT END OF
STANDARD SHAFT EXTENSION IS .003" T.I.R. TO 5 INCH DIA.

SHEET NUMBER
1 OF 2

617427-065

| | | | |
|----------------------|-------------|------------------------------|-------------------|
| REV. A | VERSION: 01 | REVISED: 09-30-02 02/18/2013 | TDR: 000000786306 |
| MODEL NO. 617427-065 | | REF: | |
| BY: MGHWCG | | Material: | |

BALDOR
G447TS-445TS STD - FOOTED - SIDE-CENTER CB - 841XL

617427-065

617427-065

DUTY MASTER ALTERNATING CURRENT MOTORS

SQUIRREL-CAGE INDUCTION

ENCLOSURE: TOTALLY ENCLOSED

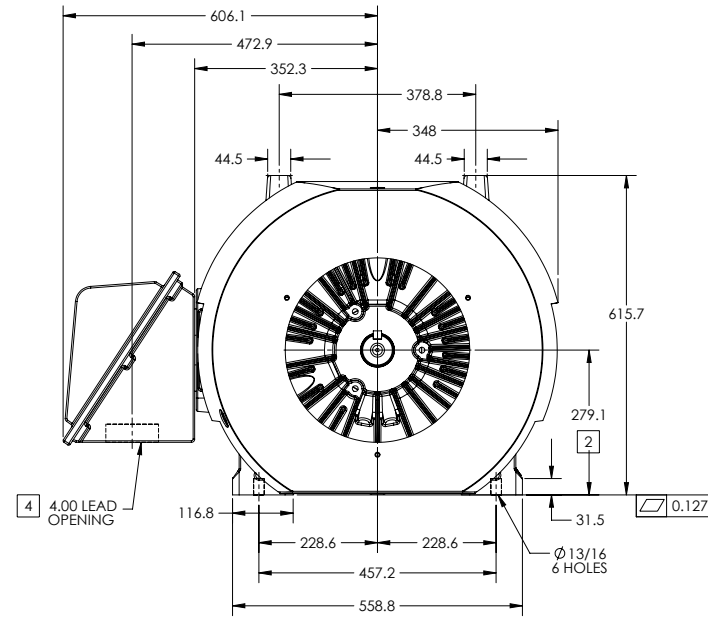
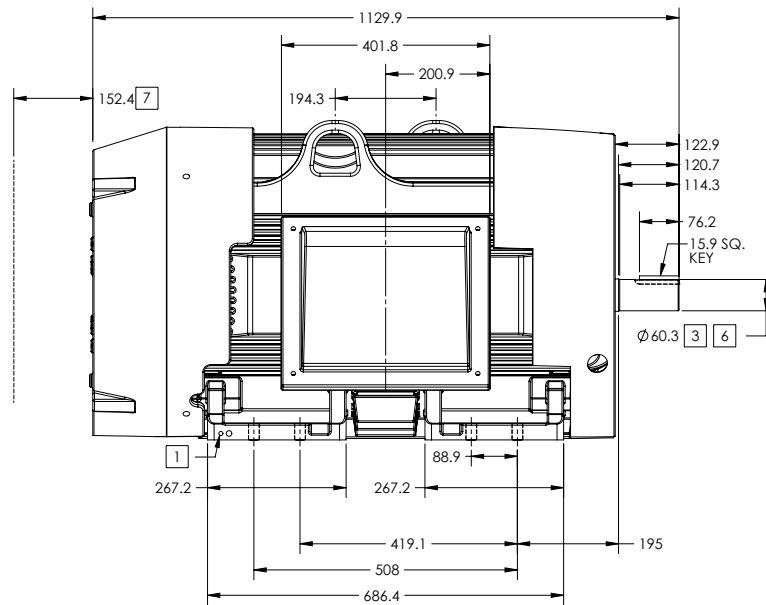
FRAME G447TS ABOVE NEMA RATINGS

COOLING: FAN COOLED

MOUNTING: FOOT

INCLUDES 445TS FRAME MOUNTING HOLES

841XL ENCLOSURE ENHANCEMENT



1. GROUND HOLES QTY 1 1/2-13 TAP; QTY 1 3/8-16 TAP
2. VARIES +.00,-.06
3. VARIES +.00,-.001
4. ON STANDARD MOTORS THIS IS CONDUIT SIZE. ON XT AND CORROSION PROOF MOTOR THIS IS PIPE TAP.
5. MOTOR WEIGHTS MAY VARY BY 15% DEPENDING ON RATING.
6. SHAFT TIR = 0.038MM FOR BALL BEARING MOTORS AND 0.051 MM FOR ROLLER BEARING CONSTRUCTION
7. OBSTRUCTION MUST NOT ENCROACH ON AIR INLET

[5] WEIGHT (KGS): 1125

DRIVE END AIR DEFLECTOR IS ONLY INCLUDED WHEN NECESSARY.

DIMENSIONS ARE IN MILLIMETERS; SEE SHEET 1 FOR DIMENSIONS IN INCHES

CUSTOMER IS RESPONSIBLE FOR DETERMINING THAT MOTOR PERFORMANCE IS SUITABLE IN THE APPLICATION.

CONDUIT BOX LOCATED ON OPPOSITE SIDE WHEN F-2.
IF MOUNTING CLEARANCE DETAILS ARE REQUIRED, CONSULT FACTORY.
MAXIMUM PERMISSIBLE SHAFT RUNOUT WHEN MEASURED AT END OF STANDARD SHAFT EXTENSION IS .08 MM T.I.R. TO 127 MM DIA.

SHEET NUMBER
2 OF 2

5907-27495

| | | | |
|----------------------|-------------|------------------------------|-------------------|
| REV. A | VERSION: 01 | REVISED: 09-37-02 02/18/2013 | TDR: 000000786306 |
| MODEL NO. 617427-065 | | REF: | |
| BY: MGHWC | | Material: | |

BALDOR

G447TS-445TS STD - FOOTED - SIDE-CENTER CB - 841XL

617427-065

416820-036

A-C MOTOR
 CONNECTION DIAGRAM
 STANDARD 3 LEAD CONNECTED



(N.P. 1575-BA)

416820-036

| | | |
|--------------------------------------|------------------------------|-------------------|
| REV. DESC: LOADED TO BUS, C/R 335225 | | |
| REV. LTR: - | VERSION: 00 | TDR: 000000538207 |
| FILE: \MGA\00000\682 | REVISED: 11:54:06 04/30/2010 | |
| MTL: - | BY: RAGRA | |

BALDOR

CONN DIAG - STANDARD 3 LEAD

SH 1 of 1

Marketing maintained PDF of MN408:

<http://www.baldor.com/support/Literature/Load.ashx/MN408?ManNumber=MN408>

Marketing maintained PDF of MN416:

<http://www.baldor.com/support/Literature/Load.ashx/MN416?ManNumber=MN416>