

BALDOR® • **RELIANCE**

Product Information Packet

EJMM3158T-5

3HP,3450RPM,3PH,60HZ,145JM,3528M,OPEN,F1

Part Detail							
Revision:	A	Status:	PRD/A	Change #:		Proprietary:	No
Type:	AC	Prod. Type:	3528M	Elec. Spec:	35WGL264	CD Diagram:	CD0006
Enclosure:	OPEN	Mfg Plant:		Mech. Spec:	35T910	Layout:	35LYT910
Frame:	145JM	Mounting:	F1	Poles:	02	Created Date:	08-12-2015
Base:	RG	Rotation:	R	Insulation:	B	Eff. Date:	09-09-2015
Leads:	3#18					Replaced By:	
Literature:		Elec. Diagram:					

Nameplate NP1259L											
CAT.NO.	EJMM3158T-5										
SPEC.	35T910L264G1										
HP	3										
VOLTS	575										
AMP	3										
RPM	3450										
FRAME	145JM					HZ	60		PH	3	
SER.F.	1.15					CODE	K	DES	B	CL	B
NEMA-NOM-EFF	85.5					PF	89				
RATING	40C AMB-CONT										
CC	010A								USABLE AT 208V		
DE	6206					ODE	6203				
ENCL	OPEN					SN					

Parts List		
Part Number	Description	Quantity
SA305530	SA 35T910L264G1	1.000 EA
RA292755	RA 35T910L264G1	1.000 EA
S/P107-000-001	SUPER E PROC'S-FS, WS & CK PLTS	1.000 EA
NS2512A01	INSULATOR, CONDUIT BOX X	1.000 EA
35CB3007	35 CB CASTING W/.88 DIA. LEAD HOLE	1.000 EA
51XB1016A07	10-16 X 7/16 HXWSSLD SERTYB	2.000 EA
11XW1032G06	10-32 X .38, TAPTITE II, HEX WSHR SLTD U	1.000 EA
35EP3201A01	STD FR ENDPLATE-OPEN-203 BRG W/GREASER	1.000 EA
HW4500A01	1641B(ALEMITE)400 UNIV, GREASE FITT	1.000 EA
HA1100A03	SCREEN, RODENT	1.000 EA
51XT1032A04	10-32X1/4 HX WA SL SR TYT (F/S)	4.000 EA
HW1000A10	#10 FLAT WASHER (SAE)	4.000 EA
HW5100A03SP	WAVY WASHER (W1543-017)	1.000 EA
35EP3401A03	PU ENDPLATE -OPEN W/SCREENS & GREASER W/	1.000 EA
HW4500A01	1641B(ALEMITE)400 UNIV, GREASE FITT	1.000 EA
HA1102A08	RODENT SCREEN 35 OPEN FACE MTD	1.000 EA
51XT1032A04	10-32X1/4 HX WA SL SR TYT (F/S)	4.000 EA
51XN1032A20	10-32 X 1 1/4 HX WS SL SR	2.000 EA
35CB4521	35 LIPPED CB LID (GALV & PHOSPH)	1.000 EA
51XW0832A07	8-32 X .44, TAPTITE II, HEX WSHR SLTD SE	4.000 EA
HA1005A02	SLINGER, OD 2.00, ID 1.14, 206 BRG,	1.000 EA
HW2501D13	KEY, 3/16 SQ X 1.375	1.000 EA
HA7000A01	KEY RETAINER 7/8" DIA SHAFT	1.000 EA
85XU0407S04	4X1/4 U DRIVE PIN STAINLESS	2.000 EA

Parts List (continued)		
Part Number	Description	Quantity
MJ1000A02	GREASE, POLYREX EM EXXON (USe 4824-15A)	0.050 LB
MG1000Y03	MUNSELL 2.53Y 6.70/ 4.60, GLOSS 20,	0.017 GA
HA3100A15	THRUBOLT 10-32 X 8.375	4.000 EA
LB1119N	WARNING LABEL	1.000 EA
MN416A01	TAG-INSTAL-MAINT no wire (1000/bx) 11/14	1.000 EA
NP1259L	ALUM SUPER-E UL CSA-EEV CC NEMA PREMIUM	1.000 EA
36PA1000	PKG GRP, PRINT PK1016A06	1.000 EA
LC0006	CONNECTION LABEL	1.000 EA

AC Induction Motor Performance Data

Record # 52359 - Typical performance - not guaranteed values

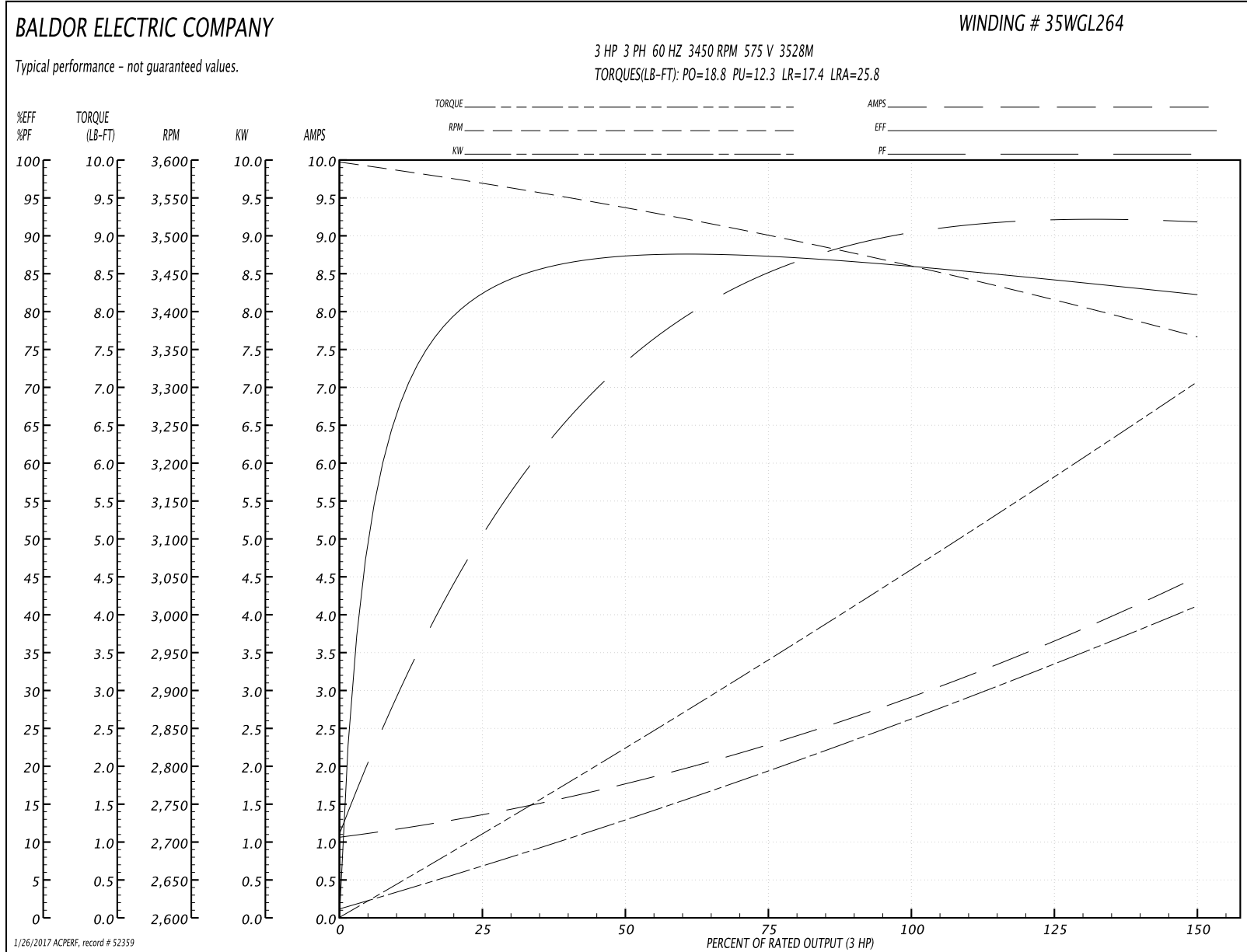
Winding: 35WGL264-R003	Type: 3528M	Enclosure: OPEN
-------------------------------	--------------------	------------------------

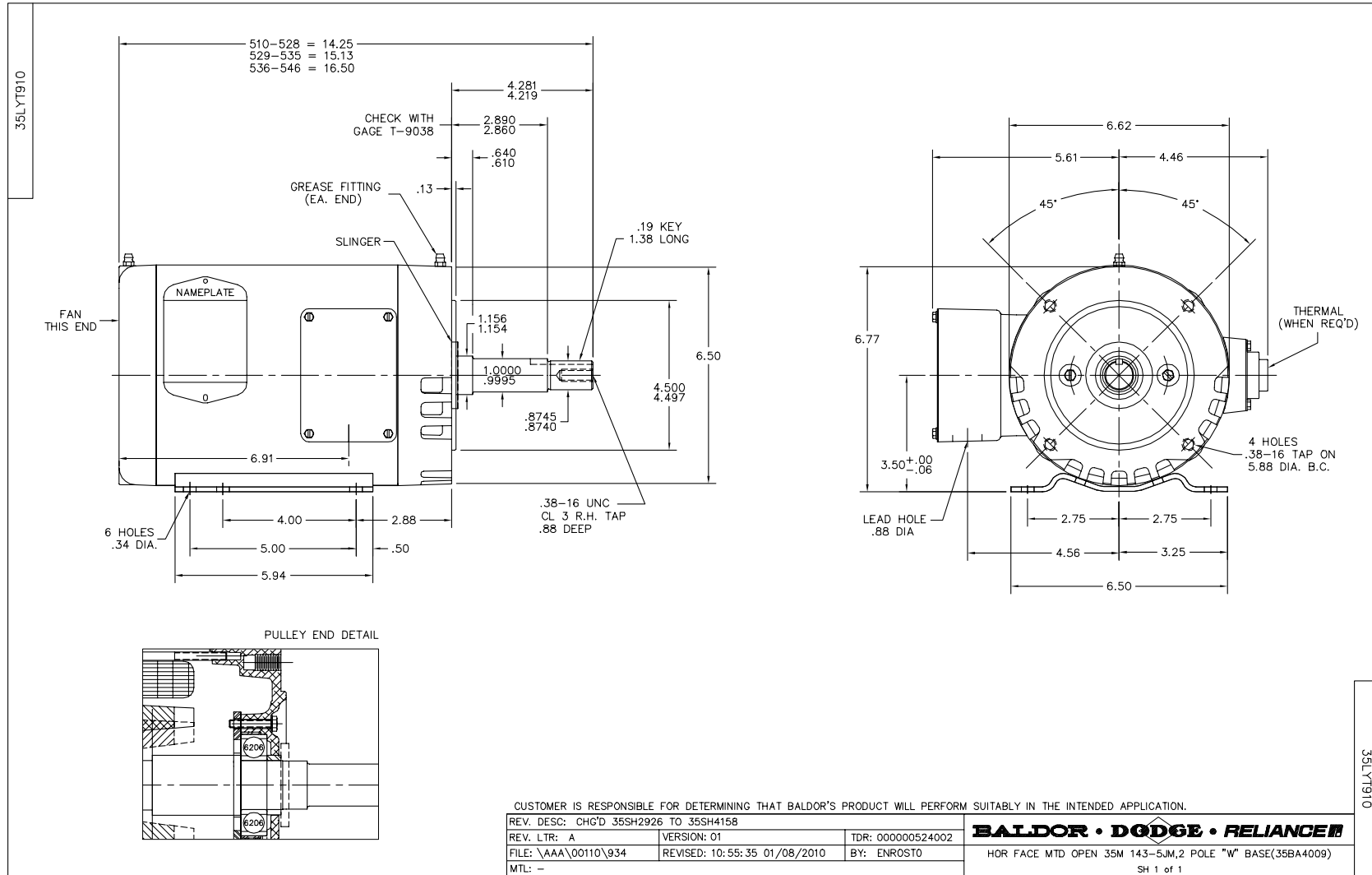
Nameplate Data				575 V, 60 Hz: Single Voltage Motor	
Rated Output (HP)	3			Full Load Torque	4.65 LB-FT
Volts	575			Start Configuration	direct on line
Full Load Amps	3			Breakdown Torque	18.8 LB-FT
R.P.M.	3450			Pull-up Torque	12.3 LB-FT
Hz	60	Phase	3	Locked-rotor Torque	17.4 LB-FT
NEMA Design Code	B	KVA Code	K	Starting Current	25.8 A
Service Factor (S.F.)	1.15			No-load Current	1.11 A
NEMA Nom. Eff.	85.5	Power Factor	89	Line-line Res. @ 25°C	7.4 Ω
Rating - Duty	40C AMB-CONT			Temp. Rise @ Rated Load	
				Locked-rotor Power Factor	49.6
				Rotor inertia	0.0774 LB-FT ²

Load Characteristics 575 V, 60 Hz, 3 HP

% of Rated Load	25	50	75	100	125	150	S.F.
Power Factor	54	76	85	89	92	93	91
Efficiency	82.5	87.2	87.2	86.1	84.4	82.1	85.1
Speed	3567	3536	3500	3458	3416	3366	3433
Line amperes	1.32	1.74	2.32	3	3.67	4.47	3.4

Performance Graph at 575V, 60Hz, 3.0HP Typical performance - Not guaranteed values





CD0006



NOTES:

1. THREE LEAD MOTOR MAY BE EITHER WYE CONNECTED OR DELTA CONNECTED.
2. INTERCHANGE ANY TWO LINE LEADS TO REVERSE ROTATION.
3. OPTIONAL THERMOSTATS ARE PROVIDED WHEN SPECIFIED.
4. ACTUAL NUMBER OF INTERNAL PARALLEL CIRCUITS MAY VARY.
5. LEAD COLORS ARE OPTIONAL. LEADS MUST BE NUMBERED AS SHOWN.

REV. DESC: REVISE TO SHOW OPTIONAL COLORS			
REV. LTR: D	BY: JLP	REVISED: 01/21/99 4:02	TDR: 0171435
9000D		FILE: AAA00005141	MDL: -
		MTL: -	

BALDOR ELECTRIC Co.

3PH, SV, 3 LEADS, WYE OR DELTA CONNECTED

CD0006