

BALDOR® • **RELIANCE**

Product Information Packet

EM2513T-BG

15HP, 1765RPM, 3PH, 60HZ, 254T, 3938M, OPSB, F1

Part Detail							
Revision:	C	Status:	PRD/A	Change #:		Proprietary:	No
Type:	AC	Prod. Type:	3938M	Elec. Spec:	39WGW916	CD Diagram:	CD0180
Enclosure:	OPSB	Mfg Plant:		Mech. Spec:	39E531	Layout:	39LYE531
Frame:	254T	Mounting:	F1	Poles:	04	Created Date:	10-07-2013
Base:	RG	Rotation:	R	Insulation:	H	Eff. Date:	06-15-2016
Leads:	9#12					Replaced By:	
Literature:		Elec. Diagram:					

Nameplate NP1259L										
CAT.NO.	EM2513T-BG									
SPEC.	39E531W916G1									
HP	15									
VOLTS	230/460									
AMP	35.4/17.7									
RPM	1765									
FRAME	254T				HZ	60			PH	3
SER.F.	1.15		CODE	G	DES	B		CL	H	
NEMA-NOM-EFF	93		PF	86						
RATING	40C AMB-CONT									
CC	010A				USABLE AT 208V			37.4		
DE	6309				ODE	6208				
ENCL	OPSB		SN							

Parts List		
Part Number	Description	Quantity
SA270706	SA 39E531W916G1	1.000 EA
RA257338	RA 39E531W916G1	1.000 EA
S/P107-000-005	SUPER-E PROC'S(254/6 FR.) ZK PLANT - POL	1.000 EA
HA6361A01	LIFTING LUG FOR 37, 39 & 40 FRAME ZINC	2.000 EA
HA6016	ADAPTER, CAST CONDUIT BOX	1.000 EA
09CB3002	CB W/1.38 LEAD HOLE FOR 37, 39, 307 & 30	1.000 EA
51XW2520A12	.25-20 X .75, TAPTITE II, HEX WSHR SLTD	2.000 EA
HW1001A25	LOCKWASHER 1/4, ZINC PLT .493 OD, .255 I	2.000 EA
WD1000B17	T&B CX35TN TERMINAL	1.000 EA
11XW1032G06	10-32 X .38, TAPTITE II, HEX WSHR SLTD U	1.000 EA
39EP3200A01SP	FR/PU ENDPLATE, MACH	1.000 EA
HW5100A08	W3118-035 WVY WSHR (WB)	1.000 EA
39EP3201A22	PU ENDPLATE, MACH	1.000 EA
XY3816A12	3/8-16 FINISHED NUT	8.000 EA
10XN2520K26	1/4-20X 1 5/8 HEX HD, GRADE 5	4.000 EA
09CB3501	CONDUIT BOX LID FOR 09CB3001 & 09CB3002	1.000 EA
51XW2520A12	.25-20 X .75, TAPTITE II, HEX WSHR SLTD	2.000 EA
HW2501G25	KEY, 3/8 SQ X 2.875	1.000 EA
LB1115N	LABEL,LIFTING DEVICE (ON ROLLS)	1.000 EA
LB1508	LABEL "SHAFT GROUNDING BRUSH" 1.50 X .81	1.000 EA
MN416A01	TAG-INSTAL-MAINT no wire (1000/bx) 11/14	1.000 EA
HA4051A00	PLASTIC CAP FOR GREASE FITTING	1.000 EA
HW4500A03	GREASE FITTING, .125 NPT 1610(ALEMITE) 8	1.000 EA
HW4500A20	1/8NPT SL PIPE PLUG	1.000 EA

Parts List (continued)		
Part Number	Description	Quantity
MJ1000A02	GREASE, POLYREX EM EXXON (USe 4824-15A)	0.030 LB
HA4051A00	PLASTIC CAP FOR GREASE FITTING	1.000 EA
HW4500A03	GREASE FITTING, .125 NPT 1610(ALEMITE) 8	1.000 EA
HW4500A20	1/8NPT SL PIPE PLUG	1.000 EA
MG1000Y03	MUNSELL 2.53Y 6.70/ 4.60, GLOSS 20,	0.050 GA
85XU0407S04	4X1/4 U DRIVE PIN STAINLESS	2.000 EA
39AD2002A01	BAFFLE PLATE 39 OPEN, SLOTTED BAND MTRS	1.000 EA
39AD2002A01	BAFFLE PLATE 39 OPEN, SLOTTED BAND MTRS	1.000 EA
HA3154A09	TB STUD 3/8-16 X 16.25	4.000 EA
LB1119N	WARNING LABEL	1.000 EA
LC0181	CONNECTION LABEL	1.000 EA
NP1259L	ALUM SUPER-E UL CSA-EEV CC NEMA PREMIUM	1.000 EA
39PA1000	PACKAGING GROUP 39 PRINT	1.000 EA

AC Induction Motor Performance Data

Record # 26764 - Typical performance - not guaranteed values

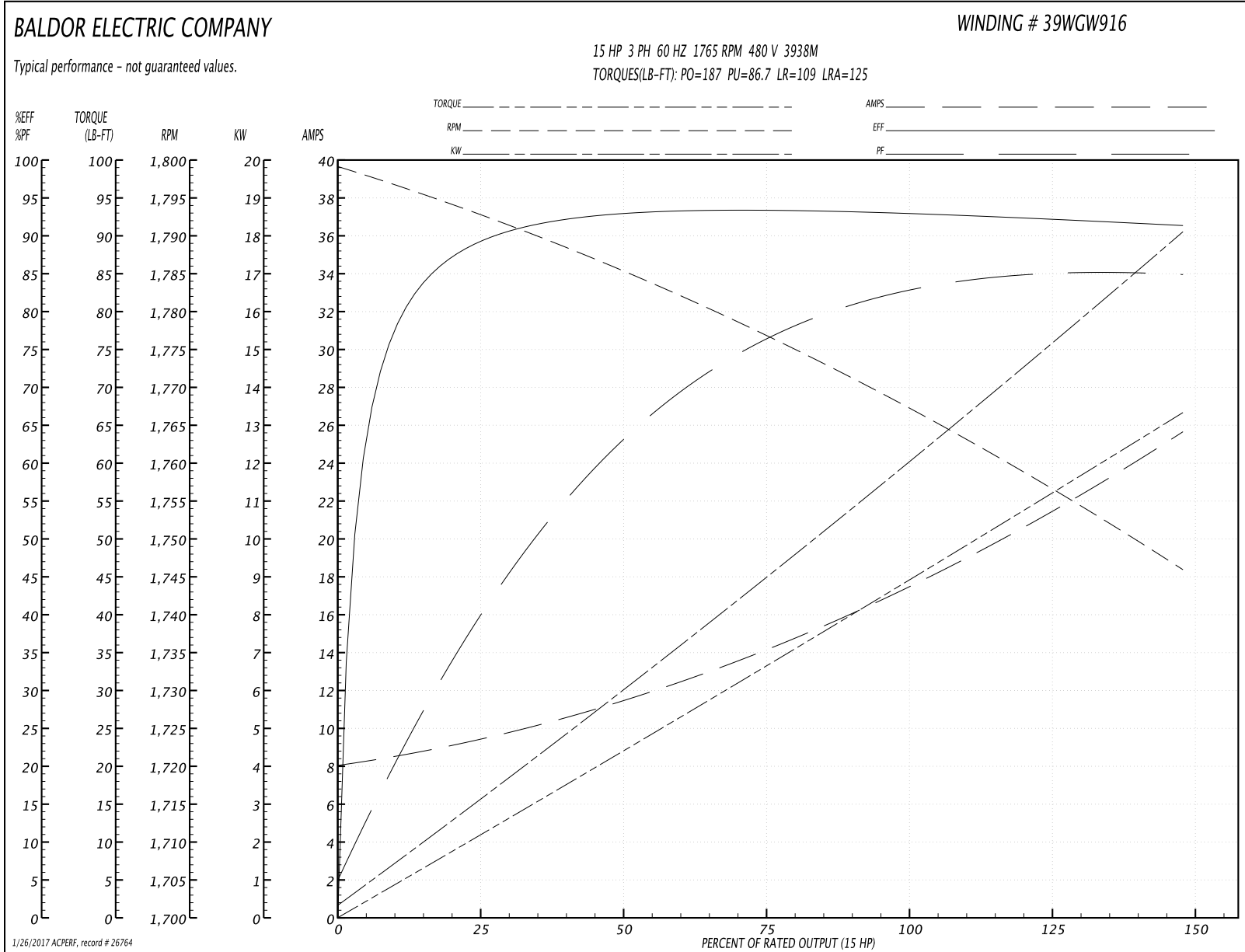
Winding: 39WGW916-R004	Type: 3938M	Enclosure: OPSB
-------------------------------	--------------------	------------------------

Nameplate Data				480 V, 60 Hz: High Voltage Connection	
Rated Output (HP)	15			Full Load Torque	44.5 LB-FT
Volts	230/460			Start Configuration	direct on line
Full Load Amps	35.4/17.7			Breakdown Torque	187 LB-FT
R.P.M.	1765			Pull-up Torque	86.7 LB-FT
Hz	60	Phase	3	Locked-rotor Torque	109 LB-FT
NEMA Design Code	B	KVA Code	G	Starting Current	125 A
Service Factor (S.F.)	1.15			No-load Current	8.29 A
NEMA Nom. Eff.	93	Power Factor	86	Line-line Res. @ 25°C	0.615 Ω
Rating - Duty	40C AMB-CONT			Temp. Rise @ Rated Load	22°C
S.F. Amps				Temp. Rise @ S.F. Load	26°C
				Locked-rotor Power Factor	35
				Rotor inertia	1.66 LB-FT ²

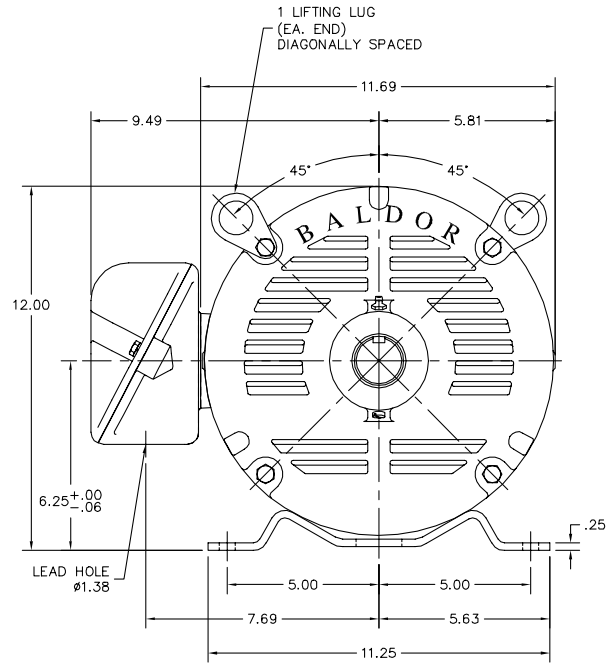
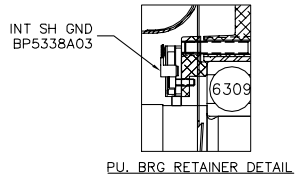
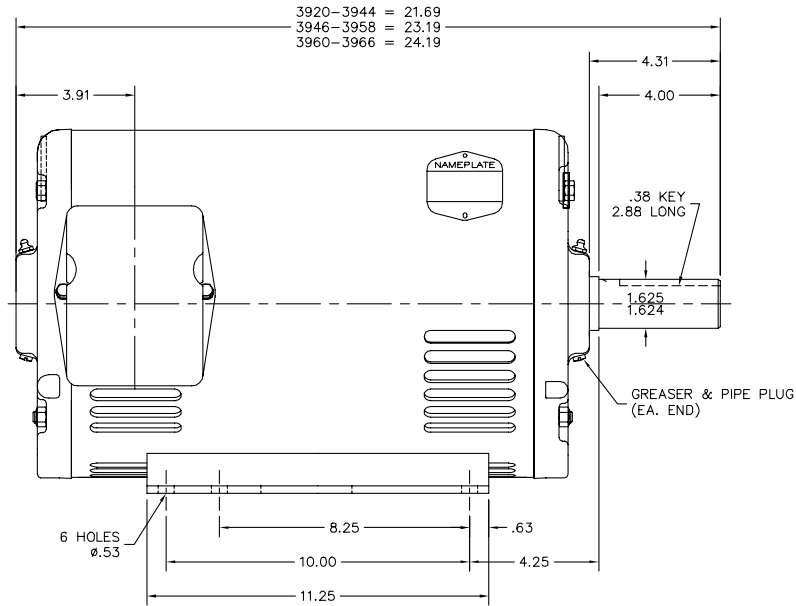
Load Characteristics 480 V, 60 Hz, 15 HP

% of Rated Load	25	50	75	100	125	150	S.F.
Power Factor	42	65	76	82	85	86	84
Efficiency	89	92.8	93.3	93	92.4	91.2	92.6
Speed	1793	1785	1777	1767	1757	1746	1761
Line amperes	9.15	11.3	14.3	17.7	21.4	25.5	19.9

Performance Graph at 480V, 60Hz, 15.0HP Typical performance - Not guaranteed values



39LYE531



CUSTOMER IS RESPONSIBLE FOR DETERMINING THAT BALDOR'S PRODUCT WILL PERFORM SUITABLY IN THE INTENDED APPLICATION.

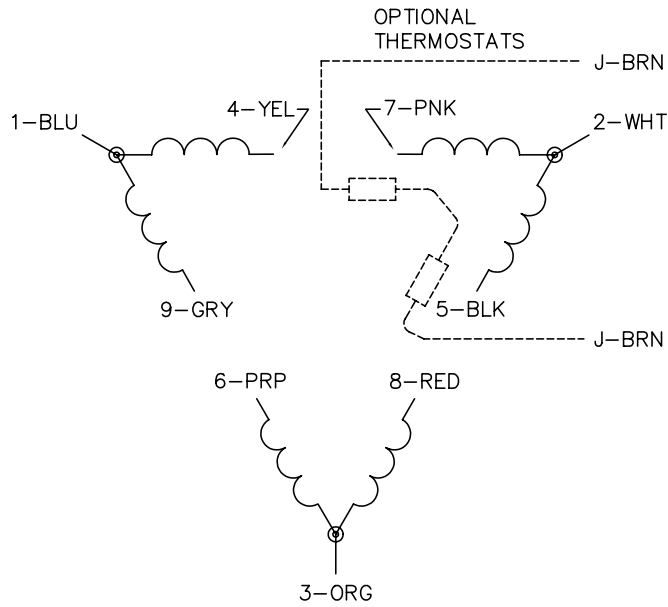
REV. DESC: CHG'D INTERNAL SH GND TO BP5338A03	VERSION: 01	TDR: 000000846669
REV. LTR: A	REVISD: 10:30:51 04/01/2014	BY: ENSTEB1
FILE: \AAA\00203\960		
MTL: -		

BALDOR

HORZ OPSB 254-6T W/INT SH GND KIT
 SH 1 of 1

39LYE531

CD0180

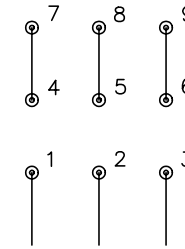


LOW VOLTAGE
(2D)



LINE

HIGH VOLTAGE
(1D)



LINE

NOTES:

1. INTERCHANGE ANY TWO LINE LEADS TO REVERSE ROTATION.
2. OPTIONAL THERMOSTATS ARE PROVIDED WHEN SPECIFIED.
3. ACTUAL NUMBER OF INTERNAL PARALLEL CIRCUITS MAY BE A MULTIPLE OF THOSE SHOWN ABOVE.
4. LEAD COLORS ARE OPTIONAL. LEADS MUST ALWAYS BE NUMBERED AS SHOWN.

REV. DESC: REVISE TO SHOW OPTIONAL COLORS

REV. LTR: C BY: JLP

REVISED: 01/21/99 2:28

TDR: 0171435

0810D0

FILE: AAA00005148

MDL: -

MTL: -

BALDOR ELECTRIC Co.

3PH, DV, 9 LEADS, DELTA CONNECTION

CD0180