

BALDOR® • **RELIANCE**

Product Information Packet

EM3614T-5

2HP,1175RPM,3PH,60HZ,184T,3644M,TEFC,F1

Part Detail							
Revision:	G	Status:	PRD/A	Change #:		Proprietary:	No
Type:	AC	Prod. Type:	3644M	Elec. Spec:	36WGS955	CD Diagram:	CD0006
Enclosure:	TEFC	Mfg Plant:		Mech. Spec:	36G271	Layout:	36LYG271
Frame:	184T	Mounting:	F1	Poles:	06	Created Date:	06-04-2012
Base:	RG	Rotation:	R	Insulation:	F	Eff. Date:	11-02-2015
Leads:	3#16					Replaced By:	
Literature:		Elec. Diagram:					

Nameplate NP3441L

CAT.NO.	EM3614T-5								
SPEC.	36G271S955G1								
HP	2								
VOLTS	575								
AMP	2.8								
RPM	1175								
FRAME	184T			HZ	60		PH	3	
SER.F.	1.15		CODE	M		DES	A	CL	F
NEMA-NOM-EFF	88.5		PF	60					
RATING	40C AMB-CONT								
CC	010A					USABLE AT 208V			
DE	6206			ODE	6205				
ENCL	TEFC		SN						
VPWM INVERTER READY									
CT6-60H(10:1)VT3-60H(20:1)									

Parts List		
Part Number	Description	Quantity
SA246180	SA 36G271S955G1	1.000 EA
RA233065	RA 36G271S955G1	1.000 EA
36CB3004	36 CB CASTING W/1.09 DIA LEAD HOLE @ 6:0	1.000 EA
36GS1000SP	GASKET-CONDUIT BOX, .06 THICK #SV-330 LE	1.000 EA
51XB1016A08	10-16X 1/2HXWSSLD SERTYB	2.000 EA
11XW1032G06	10-32 X .38, TAPTITE II, HEX WSHR SLTD U	1.000 EA
36FE3104A01	FREP MACH ASSEMBLY FOR ROUTING	1.000 EA
HW4500A01	1641B(ALEMITE)400 UNIV, GREASE FITT	1.000 EA
HW5100A05	WVY WSHR F/205 & 304 BRGS	1.000 EA
36EP3100A01SP	PUEP ASSEMBLY FOR ROUTING PURPOSES	1.000 EA
HW4500A01	1641B(ALEMITE)400 UNIV, GREASE FITT	1.000 EA
XY2520A12	1/4-20 HEX NUT, DIRECTIONAL SERRATIONS	4.000 EA
36FH4009A102	IEC FH GREASER PRIMED	1.000 EA
51XW1032A06	10-32 X .38, TAPTITE II, HEX WSHR SLTD S	3.000 EA
36CB4516	36 LIPPED CB LID	1.000 EA
37GS1001SP	GASKET, CONDUIT BOX LID, .06 THICK LEXID	1.000 EA
51XW0832A07	8-32 X .44, TAPTITE II, HEX WSHR SLTD SE	4.000 EA
HW2501E16	3KEY, 1/4 SQ X 1.750	1.000 EA
HA7000A02	KEY RETAINER RING, 1 1/8 DIA, 1 3/8 DIA	1.000 EA
85XU0407S04	4X1/4 U DRIVE PIN STAINLESS	2.000 EA
HW3200A01	3/8-16X3/4 I-BLT WELDED F/S	1.000 EA
MJ1000A02	GREASE, POLYREX EM EXXON (USe 4824-15A)	0.050 LB
36FN3000A01SP	EXFN, PLASTIC, 7.00 OD, .912 ID	1.000 EA
51XB1214A16	12-14X1.00 HXWSSLD SERTYB	1.000 EA

Parts List (continued)		
Part Number	Description	Quantity
MG1000Y03	MUNSELL 2.53Y 6.70/ 4.60, GLOSS 20,	0.022 GA
LB1115N	LABEL,LIFTING DEVICE (ON ROLLS)	1.000 EA
HA3101A28	THRUBOLT 1/4-20 X 12.500 OHIO ROD	4.000 EA
LB1119N	WARNING LABEL	1.000 EA
LC0006	CONNECTION LABEL	1.000 EA
NP3441L	ALUM SUPER-E VPWM INVERTER READY UL	1.000 EA
G0PA1000	PKG GRP, PRINT PK1026A06	1.000 EA
MN416A01	TAG-INSTAL-MAINT no wire (1000/bx) 11/14	1.000 EA

AC Induction Motor Performance Data

Record # 38674 - Typical performance - not guaranteed values

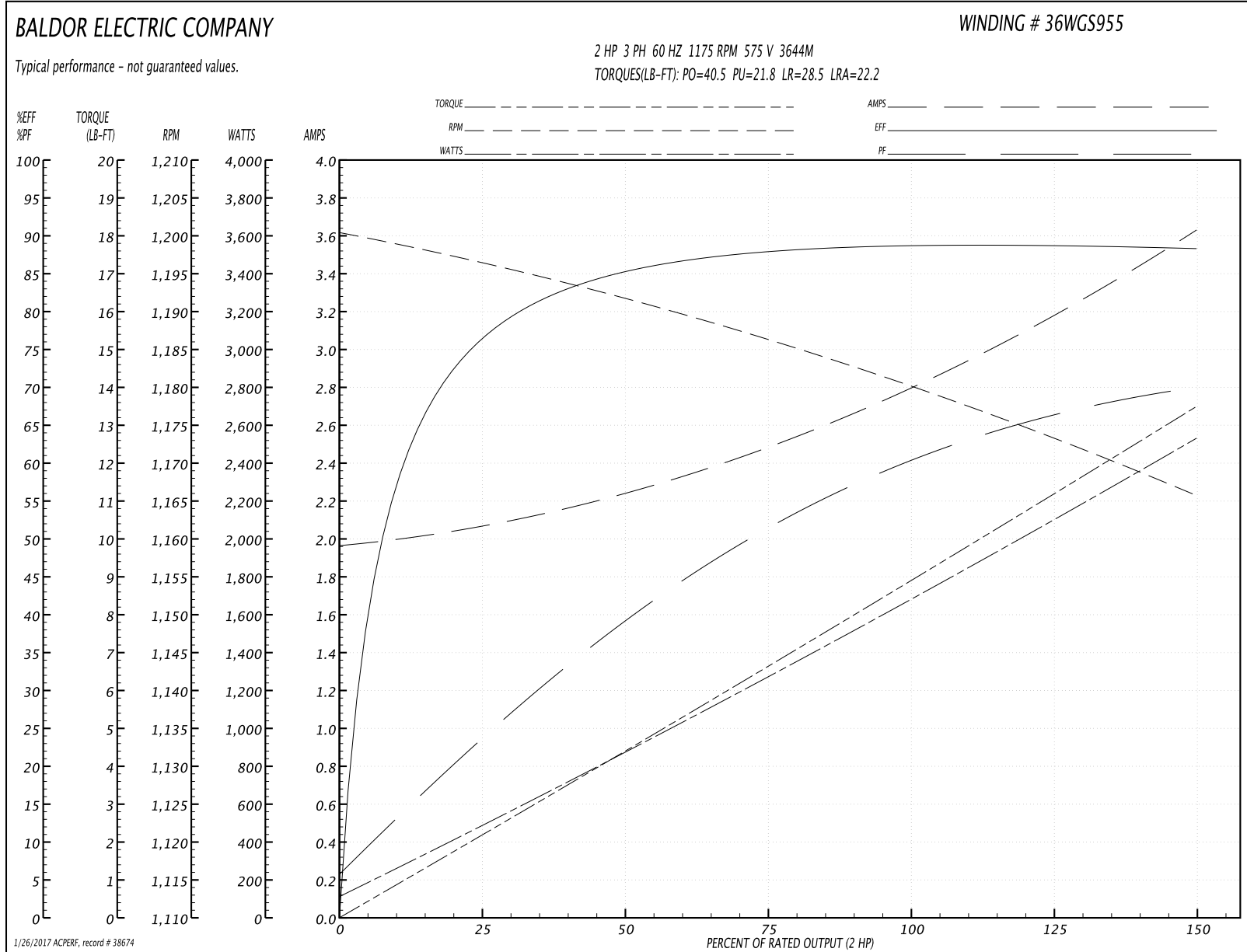
Winding: 36WGS955-R001	Type: 3644M	Enclosure: TEFC
-------------------------------	--------------------	------------------------

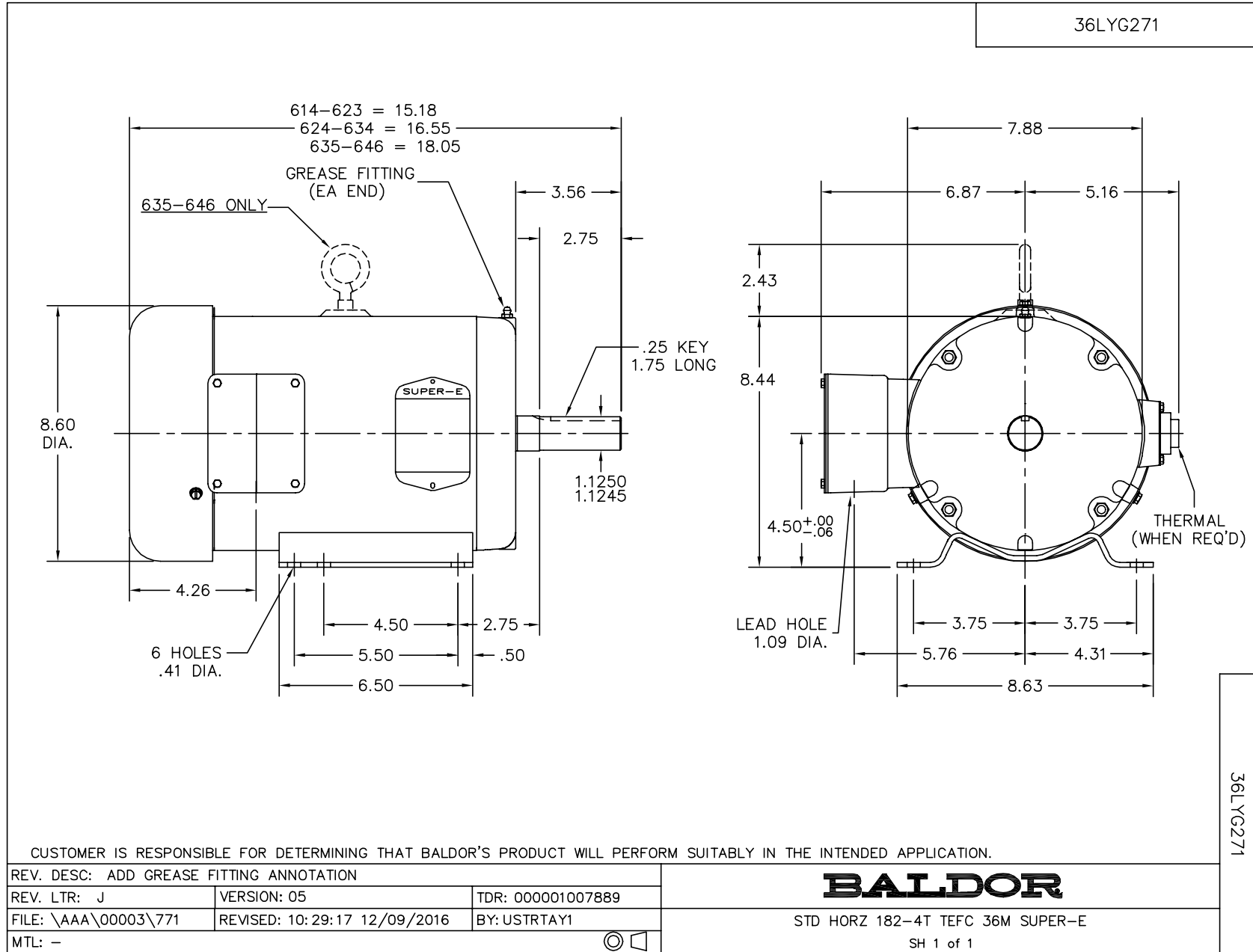
Nameplate Data				575 V, 60 Hz: Single Voltage Motor	
Rated Output (HP)	2			Full Load Torque	8.91 LB-FT
Volts	575			Start Configuration	direct on line
Full Load Amps	2.8			Breakdown Torque	40.5 LB-FT
R.P.M.	1175			Pull-up Torque	21.8 LB-FT
Hz	60	Phase	3	Locked-rotor Torque	28.5 LB-FT
NEMA Design Code	A	KVA Code	M	Starting Current	22.2 A
Service Factor (S.F.)	1.15			No-load Current	1.98 A
NEMA Nom. Eff.	88.5	Power Factor	60	Line-line Res. @ 25°C	6.33 Ω
Rating - Duty	40C AMB-CONT			Temp. Rise @ Rated Load	34°C
S.F. Amps				Temp. Rise @ S.F. Load	40°C
				Locked-rotor Power Factor	29
				Rotor inertia	0.413 LB-FT ²

Load Characteristics 575 V, 60 Hz, 2 HP

% of Rated Load	25	50	75	100	125	150	S.F.
Power Factor	24	40	51	60	66	70	64
Efficiency	76.4	85.3	87.8	88.8	88.9	88.3	88.9
Speed	1197	1192	1186	1180	1173	1166	1176
Line amperes	2.05	2.23	2.49	2.81	3.19	3.62	3.04

Performance Graph at 575V, 60Hz, 2.0HP Typical performance - Not guaranteed values





CD0006



NOTES:

1. THREE LEAD MOTOR MAY BE EITHER WYE CONNECTED OR DELTA CONNECTED.
2. INTERCHANGE ANY TWO LINE LEADS TO REVERSE ROTATION.
3. OPTIONAL THERMOSTATS ARE PROVIDED WHEN SPECIFIED.
4. ACTUAL NUMBER OF INTERNAL PARALLEL CIRCUITS MAY VARY.
5. LEAD COLORS ARE OPTIONAL. LEADS MUST BE NUMBERED AS SHOWN.

REV. DESC: REVISE TO SHOW OPTIONAL COLORS			
REV. LTR: D	BY: JLP	REVISED: 01/21/99 4:02	TDR: 0171435
9000D		FILE: AAA00005141	MDL: -
		MTL: -	

BALDOR ELECTRIC Co.

3PH, SV, 3 LEADS, WYE OR DELTA CONNECTED

CD0006