

# **BALDOR**® • *RELIANCE*

## **Product Information Packet**

# **EM44252T-4**

**250HP,3570RPM,3PH,60HZ,449TS,TEFC,F1**

Part Detail							
Revision:	A	Status:	PRD/A	Change #:		Proprietary:	No
Type:	AC	Prod. Type:	A44128M	Elec. Spec:	A44WG2749	CD Diagram:	416820-036
Enclosure:	TEFC	Mfg Plant:		Mech. Spec:		Layout:	617427-006
Frame:	449TS	Mounting:	F1	Poles:	02	Created Date:	04-02-2015
Base:		Rotation:	R	Insulation:	F	Eff. Date:	06-03-2016
Leads:	3#3/0 (02 per group)					Replaced By:	
Literature:		Elec. Diagram:					

Nameplate NP2496L	
MOBIL POLYREX EM	

Nameplate NP2349L									
SPEC NO.	A44-7088-2749	CAT.NO.	EM44252T-4	FRAME	449TS				
HP	250	VOLTS	460	PHASE	3	DESIGN	B	TYPE	P
RPM	3570	AMPS	268	HZ	60	AMB	40	SF	1.15
DRIVE END BEARING	65BC03J30X	DUTY	CONT	INSUL.CLASS	F				
OPP D.E. BEARING	65BC03J30X	ENCL	TEFC	CODE	F				
SER.NO.		POWER FACTOR	91	NEMA-NOM-EFFICIENCY	95.8				
				MAX CORR KVAR	24	GUARANTEED EFFICIENCY	95		
				NEMA NOM/CSA QUOTED EFF					
				MOTOR WEIGHT	2595				

Parts List		
Part Number	Description	Quantity
SA296091	SA A44-7088-2749	1.000 EA
RA282142	RA A44-7088-2749	1.000 EA
421948051	LABEL, MYLAR	1.000 EA
NP2496L	MOTOR LUBE NAMEPLATE	1.000 EA
000613006PU	N/P (RELEASE QTY 10,000) UL CSA LABLE	1.000 EA
000692000FF	N/P	1.000 EA
000692000VD	LABEL WARNING	1.000 EA
NP2349L	SUPER-E ,SS, CSA, CSA SUPER-E	1.000 EA
089490097A	BRKT 089490102WCA	1.000 EA
415072001B	CLAMP	1.000 EA
083199126RA	G28 MOLDED FAN COVER W/BAFFLE ASSEMBLY	1.000 EA
034180014DA	KEY 1/4X1/4X1-3/4 L	1.000 EA
078548001R	FAN KB 234/150 (84) 400	1.000 EA
004824015A	GREASE POLYREX EM	0.540 LB
032018020FK	HHCS 3/4-10X2-1/2 PLTD.	4.000 EA
032018008CK	HHCS 3/8-16X1L PLATED	4.000 EA
032018022CK	HHCS 3/8-16X2-3/4 PLTD	3.000 EA
415096002A	CPLG 1/8 HEX TYPE	1.000 EA
410700004F	WSHR	1.000 EA
034017014AB	LCKW 3/8 STD. PLATED	4.000 EA
034530072AB	P/NIP 1/8X9"L Threaded both ends	1.000 EA
034690005AB	PPLG 3/4 PLATED	1.000 EA
034630002AB	CPLG 1/4" PLATED	1.000 EA
034690002AB	"unbulked" PPLG 1/4" PLTD.	1.000 EA

Parts List (continued)		
Part Number	Description	Quantity
034690001AB	SQHDPLG, COND	1.000 EA
034530072BB	PIPE NIPPLE,DE - 440-BS	1.000 EA
032620016LA	SOCKET SET SCREW-449	3.000 EA
034630002AB	CPLG 1/4" PLATED	1.000 EA
034530072BB	PIPE NIPPLE,DE - 440-BS	1.000 EA
034690002AB	"unbulked" PPLG 1/4" PLTD.	1.000 EA
034690001AB	SQHDPLG, COND	1.000 EA
702623012A	THERMAL BARRIER, G28	1.000 EA
032018004BK	HHCS 5/16-18X1/2 PLATED	3.000 EA
034000013AB	WSHR 5/16" PLATED-440	3.000 EA
089490097A	BRKT 089490102WCA	1.000 EA
032018020FK	HHCS 3/4-10X2-1/2 PLTD.	4.000 EA
032018022CK	HHCS 3/8-16X2-3/4 PLTD	3.000 EA
034530072AB	P/NIP 1/8X9"L Threaded both ends	1.000 EA
415096002A	CPLG 1/8 HEX TYPE	1.000 EA
032018006BK	HHCS 5/16-18X3/4 PLATED	3.000 EA
034017013AB	LCKW 5/16 STD. PLATED	3.000 EA
702623022A	G28 AIR DEFLECTOR DRIVE END -- PLASTIC	1.000 EA
034001013AB	FTW BAFFLE	3.000 EA
415915007K	GASK, 26" LAC	1.000 EA
702658001B	+C/BOX, PAINTED 440	1.000 EA
702658002A	+C/BOX CVR, PAINTED 440	1.000 EA
406056008A	GASKET, TERBD 440	1.000 EA
418153001A	GASK 440	1.000 EA

Product Information Packet: EM44252T-4 - 250HP,3570RPM,3PH,60HZ,449TS,TEFC,F1

418150003A	GREASE FITTING CAP	1.000 EA
032018008DK	HHCS 1/2-13X1 PLATED	4.000 EA
035000001A	ALFTG 1/8" 1610-BL	1.000 EA
415000103D	T/LUG #4AWG-1/0AWG W/HOLE FOR .250 BOLT	1.000 EA
033512006LB	HHTTS 1/4-20X3/4 PLTD.	8.000 EA
406099000A	PLUG - FAN COVER 320-440	1.000 EA
033512004LB	HHTTS 1/4-20X1/2 PLTD.	1.000 EA
035000001A	ALFTG 1/8" 1610-BL	1.000 EA
418150003A	GREASE FITTING CAP	1.000 EA
MG1025Y03	WILKOFAS, 789.701, SUPER E PEARL GOLD	2.000 QT
033775004EA	DRSCR #6-1/4 304 S.S.	2.000 EA
034180024HA	KEY 5/8X5/8X3 L	1.000 EA
604797056	400-447 FRAME 60 X 42	1.000 EA
032510026D	CARRIAGE BOLT - 440	2.000 EA
034001016AB	WSHR .562ID 1.375OD .109	2.000 EA
034001014AB	FLAT WASHER 3/8" PLATED	2.000 EA
033300014AC	HEX NUT, SHIPPING - 400	2.000 EA
604797003C	SHIPPING BAG	1.000 EA

REL. S.O.	FRAME	HP	TYPE	PHASE/HERTZ	RPM	VOLTS
	449TS	250	P	3/60	3570	460
AMPS	DUTY	AMB °C/INSUL.	S.F.	NEMA DESIGN	CODE LETTER	ENCL.
268	CONT	40/F	1.15	B	F	TEFC
E/S	ROTOR	TEST S.O.	TEST DATE	STATOR RES. @25 °C OHMS (BETWEEN LINES)		
433537	418143-13-NE	---	---	.00996		

PERFORMANCE

LOAD	HP	AMPERES	RPM	POWER FACTOR %	EFFICIENCY %
NO LOAD	0	52.6	3600	8.53	0
1/4	62.5	82.6	3593	76.7	92.4
2/4	125	138	3587	89.3	95.3
3/4	188	200	3580	91.4	95.9
4/4	250	268	3572	91.0	95.9
5/4	312	337	3564	90.8	95.7

SPEED TORQUE

	RPM	TORQUE % FULL LOAD	TORQUE LB.-FT.	AMPERES
LOCKED ROTOR	0	191	702	1651
PULL UP	2550	169	620	1371
BREAKDOWN	3472	227	835	831
FULL LOAD	3572	100	368	268

AMPERES SHOWN FOR 460. VOLT CONNECTION. IF OTHER VOLTAGE CONNECTIONS ARE AVAILABLE, THE AMPERES WILL VARY INVERSELY WITH THE RATED VOLTAGE

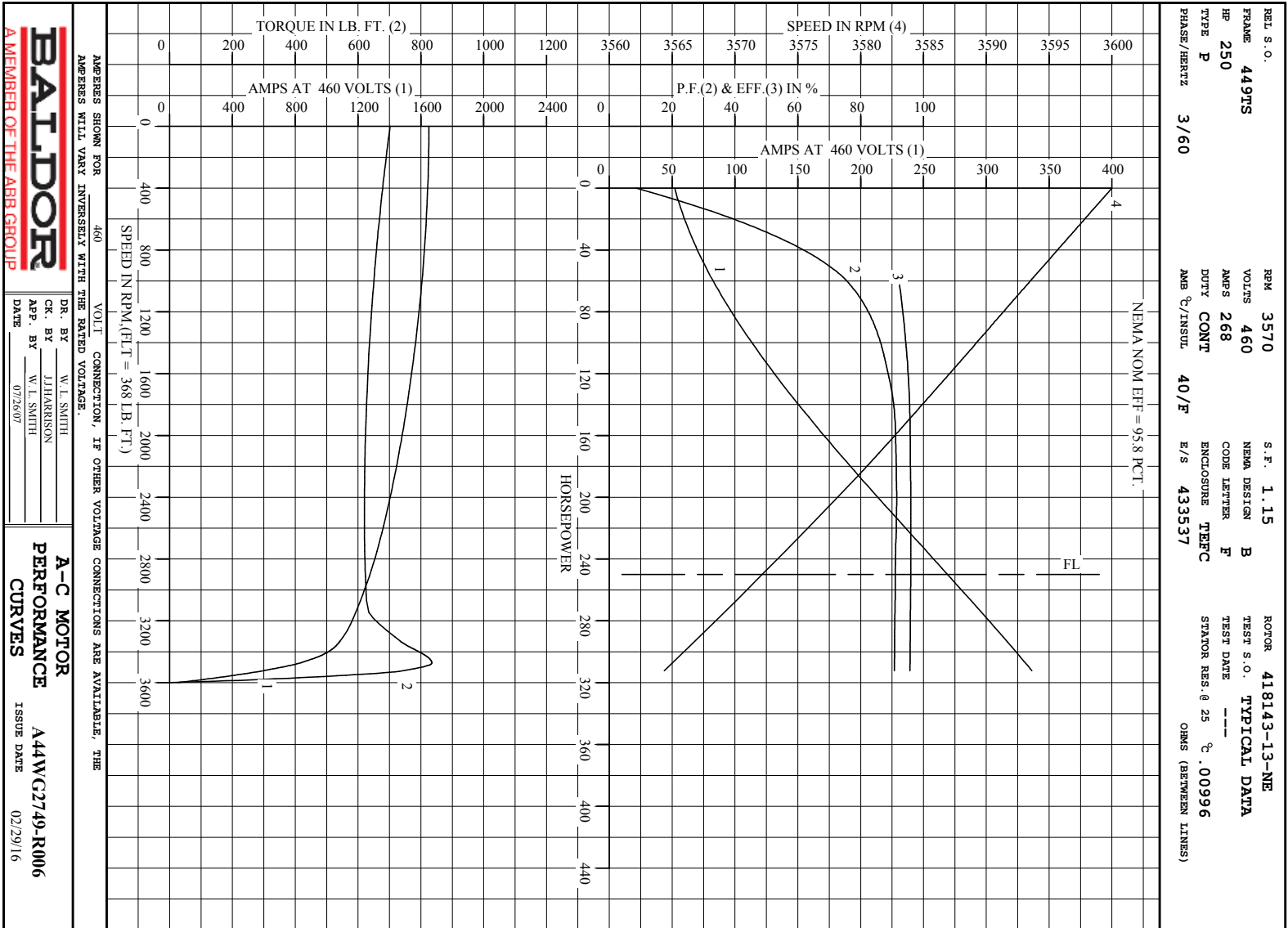
REMARKS: TYPICAL DATA  
NEMA NOM EFF = 95.8 PCT.



DR. BY W. L. SMITH  
CR. BY J. J. HARRISON  
APP. BY W. L. SMITH  
DATE 07/26/07

A-C MOTOR PERFORMANCE DATA  
A44WG2749-R006  
ISSUE DATE 02/29/16

A MEMBER OF THE ABB GROUP



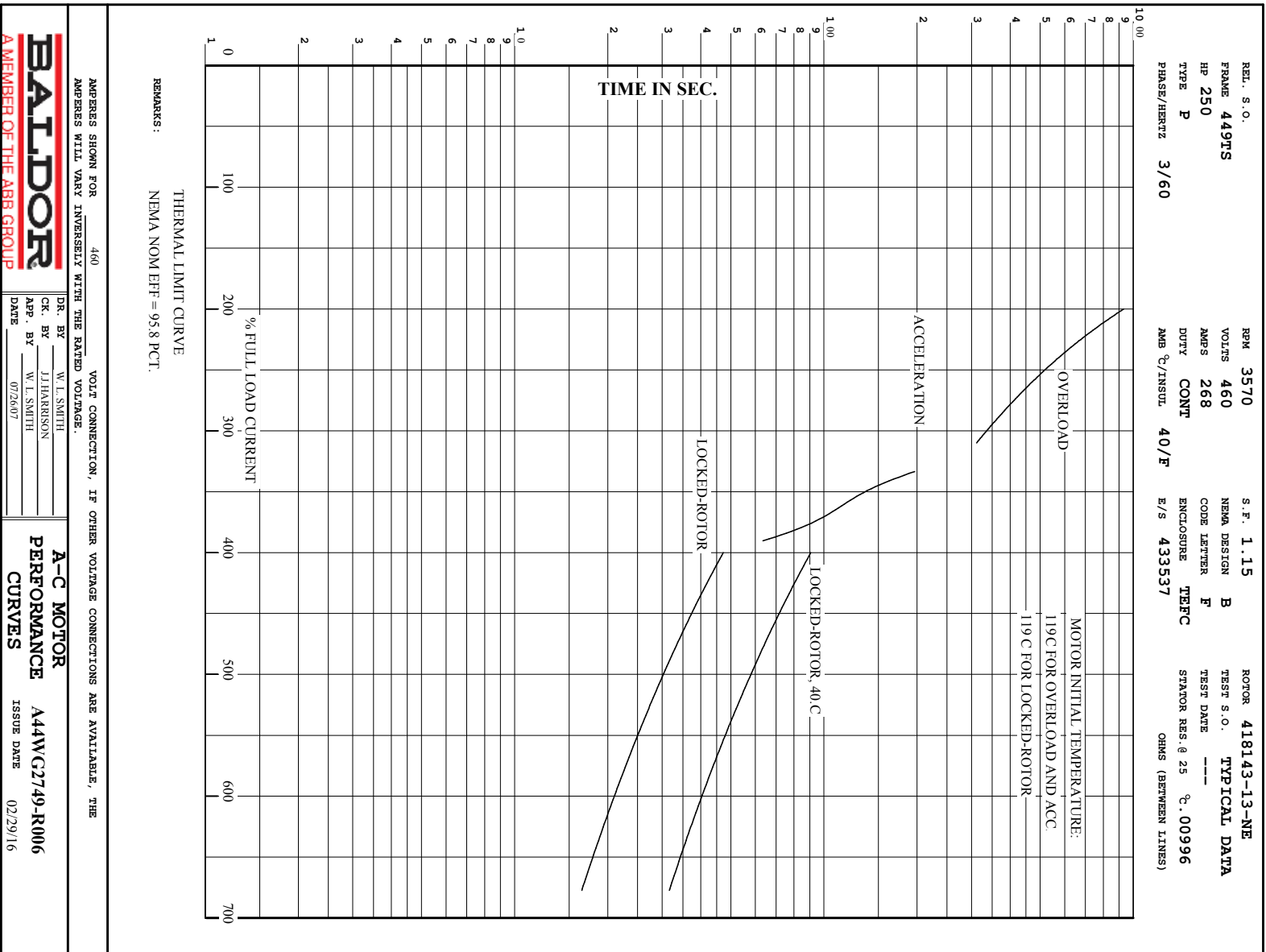
AMPS SHOWN FOR 460 VOLT CONNECTION, IF OTHER VOLTAGE CONNECTIONS ARE AVAILABLE, THE AMPS WILL VARY INVERSELY WITH THE RATED VOLTAGE.

**BALDOR**  
A MEMBER OF THE ABB GROUP

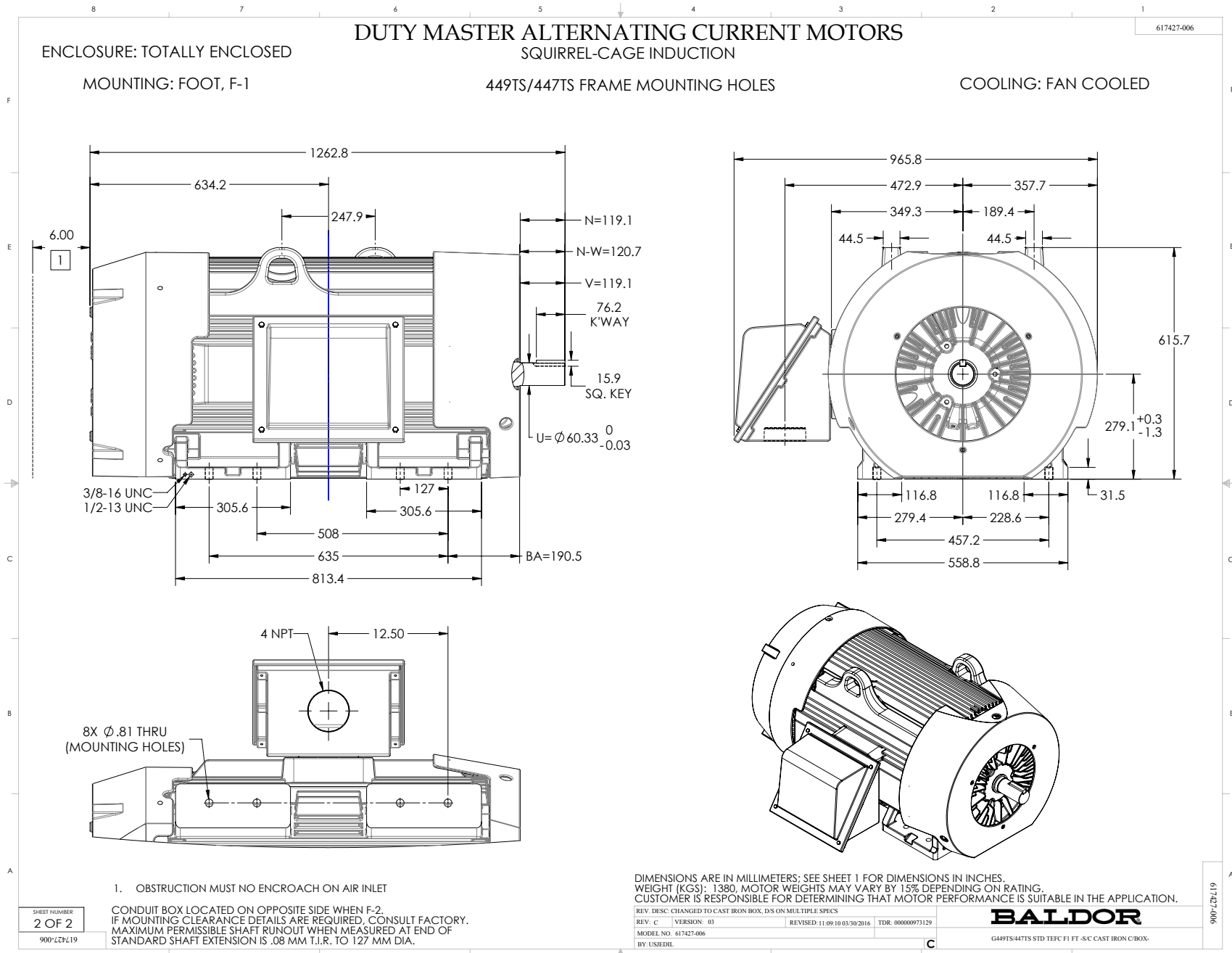
DR. BY W. L. SMITH  
 CK. BY J. HARRISON  
 APP. BY W. L. SMITH  
 DATE 07/26/07

**A-C MOTOR PERFORMANCE CURVES**  
 A44WC2749-R006  
 ISSUE DATE 02/29/16

Printed on 2/29/16 10:06 @ bengap01.baldor.com







416820-036

A-C MOTOR  
 CONNECTION DIAGRAM  
 STANDARD 3 LEAD CONNECTED



(N.P. 1575-BA)

416820-036

REV. DESC: LOADED TO BUS, C/R 335225		
REV. LTR: -	VERSION: 00	TDR: 000000538207
FILE: \MGA\00000\682	REVISED: 11:54:06 04/30/2010	
MTL: -	BY: RAGRA	

**BALDOR**

CONN DIAG - STANDARD 3 LEAD

SH 1 of 1

Marketing maintained PDF of MN408:

<http://www.baldor.com/support/Literature/Load.ashx/MN408?ManNumber=MN408>

Marketing maintained PDF of MN416:

<http://www.baldor.com/support/Literature/Load.ashx/MN416?ManNumber=MN416>