

BALDOR® • ***RELIANCE***

Product Information Packet

EM7065T

10//7.5HP, 1180//980RPM, 3PH, 60//50HZ, 256T

Part Detail							
Revision:	M	Status:	PRD/A	Change #:		Proprietary:	No
Type:	AC	Prod. Type:	0956M	Elec. Spec:	09WGZ383	CD Diagram:	CD0005
Enclosure:	XPFC	Mfg Plant:		Mech. Spec:	09E270	Layout:	09LYE270
Frame:	256T	Mounting:	F1	Poles:	06	Created Date:	06-15-2010
Base:	RG	Rotation:	R	Insulation:	B	Eff. Date:	10-04-2016
Leads:	9#12					Replaced By:	
Literature:		Elec. Diagram:					

Nameplate NP1426XPSLEV	
NO.	[] CC 010A
SER.	[]
SPEC.	09E270Z383G1
CAT.NO.	EM7065T
HP	10//7.5 T. CODE T3C
VOLTS	230/460//190/380
AMPS	29.2/14.6//27.4/13.7
RPM	1180//980
HZ	60//50 PH 3 CL B
SER.F.	1.00 DES A CODE J
RATING	40C AMB-CONT
FRAME	256T NEMA-NOM-EFF 91
USABLE AT 208V	30.4 PF 70
BLANK	[]

Parts List		
Part Number	Description	Quantity
SA198666	SA 09E270Z383G1	1.000 EA
RA186029	RA 09E270Z383G1	1.000 EA
09FN3001D01	EXTERNAL FAN, PLASTIC	1.000 EA
MJ5000A01	SEALANT, CHICO A COMPOUND	0.031 LB
09CB1000A01SP	CONDUIT BOX, MACH	1.000 EA
10XN3118K16	5/16-18 X 1' GRADE #5, STL, ZINC PLATE	4.000 EA
HW1001A31	LOCKWASHER 5/16, ZINC PLT.591 OD, .319 I	4.000 EA
WD1000B16	T&B CX70TN TERMINAL	1.000 EA
10XN2520K06	1/4-20 X 3/8" HX HD SCREWGRADE 5, ZINC P	1.000 EA
HW1001A25	LOCKWASHER 1/4, ZINC PLT .493 OD, .255 I	1.000 EA
09EP1700A01	FR ENDPLATE, MACH	1.000 EA
10XN3816K28	3/8-16 X 1.75 HEX HD CAP SCREW, GRADE 5	4.000 EA
HW1001A38	LOCKWASHER 3/8, ZINC PLT .688 OD, .382 I	4.000 EA
HW5100A08	W3118-035 WVY WSHR (WB)	1.000 EA
HA2002A05	SPACER, #208 BRG	1.000 EA
10XN2520K36	1/4-20 X 2.25" HX HD SCRWGRADE 5, ZINC P	4.000 EA
HW1001A25	LOCKWASHER 1/4, ZINC PLT .493 OD, .255 I	4.000 EA
09EP1707A01	PU ENDPLATE, MACH	1.000 EA
10XN3816K28	3/8-16 X 1.75 HEX HD CAP SCREW, GRADE 5	4.000 EA
HW1001A38	LOCKWASHER 3/8, ZINC PLT .688 OD, .382 I	4.000 EA
09FH1004A01	FAN COVER, MACH	1.000 EA
10XN2520K14	1/4-20 X .88 HEX GRD 5 (20001)	3.000 EA
HW1001A25	LOCKWASHER 1/4, ZINC PLT .493 OD, .255 I	3.000 EA
09CB1500A01SP	CONDUIT BOX LID, MACH	1.000 EA

Parts List (continued)		
Part Number	Description	Quantity
10XN2520K16	1/4-20 X 1" HX HD SCRW GRADE 5, ZINC P	6.000 EA
HW1001A25	LOCKWASHER 1/4, ZINC PLT .493 OD, .255 I	6.000 EA
HW2501G25	KEY, 3/8 SQ X 2.875	1.000 EA
LB1115N	LABEL,LIFTING DEVICE (ON ROLLS)	1.000 EA
LB1073	ALUM XP CAUTION LABEL	1.000 EA
HW4500A20	1/8NPT SL PIPE PLUG	2.000 EA
MJ1000A02	GREASE, POLYREX EM EXXON (USe 4824-15A)	0.080 LB
HW4500A20	1/8NPT SL PIPE PLUG	2.000 EA
HW2500A25	WOODRUFF KEY USA #1008 #BLOW CARBON STEE	1.000 EA
51XB1214A20	12-14X1.25 HXWSSLD SERTYB	1.000 EA
MG1025G05	WILKOFASST, 789.227, MED. GRAY CHAR. MET.	0.050 GA
85XU0407S04	4X1/4 U DRIVE PIN STAINLESS	6.000 EA
MN416A01	TAG-INSTAL-MAINT no wire (1000/bx) 11/14	1.000 EA
LB1119N	WARNING LABEL	1.000 EA
LC0145B01	CONNECTION LABEL	1.000 EA
NP1426XPSLEV	SS XP UL CSA-EEV CC CL-I GP-D	1.000 EA
40PA1005	PACKAGING GROUP, 09 STD	1.000 EA

AC Induction Motor Performance Data

Record # 31469 - Typical performance - not guaranteed values

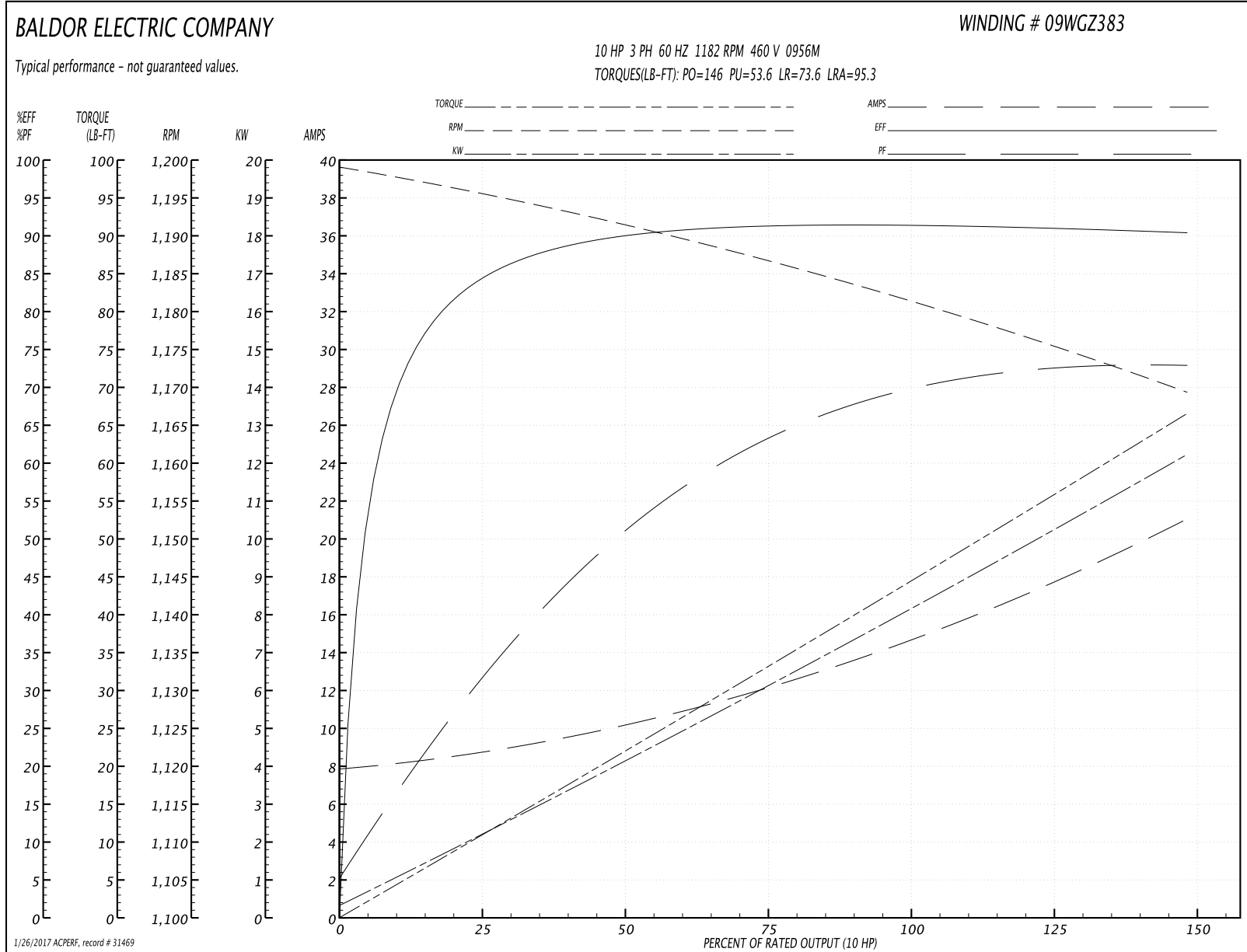
Winding: 09WGZ383-R004	Type: 0956M	Enclosure: XPFC
-------------------------------	--------------------	------------------------

Nameplate Data				460 V, 60 Hz: High Voltage Connection	
Rated Output (HP)	10//7.5			Full Load Torque	44.4 LB-FT
Volts	230/460//190/380			Start Configuration	direct on line
Full Load Amps	29.2/14.6//27.4/13.7			Breakdown Torque	146 LB-FT
R.P.M.	1180//980			Pull-up Torque	53.6 LB-FT
Hz	60//50	Phase	3	Locked-rotor Torque	73.6 LB-FT
NEMA Design Code	B	KVA Code	J	Starting Current	95.3 A
Service Factor (S.F.)	1			No-load Current	7.9 A
NEMA Nom. Eff.	91	Power Factor	70	Line-line Res. @ 25°C	0.66 Ω
Rating - Duty	40C AMB-CONT			Temp. Rise @ Rated Load	45°C
				Locked-rotor Power Factor	24
				Rotor inertia	4.5 LB-FT ²

Load Characteristics 460 V, 60 Hz, 10 HP

% of Rated Load	25	50	75	100	125	150
Power Factor	32	52	63	70	72	73
Efficiency	83.7	89.8	91.4	91.6	91.1	90.3
Speed	1196	1191	1186	1182	1176	1169
Line amperes	8.74	10.1	12.2	14.7	17.7	21

Performance Graph at 460V, 60Hz, 10.0HP Typical performance - Not guaranteed values



AC Induction Motor Performance Data

Record # 31470 - Typical performance - not guaranteed values

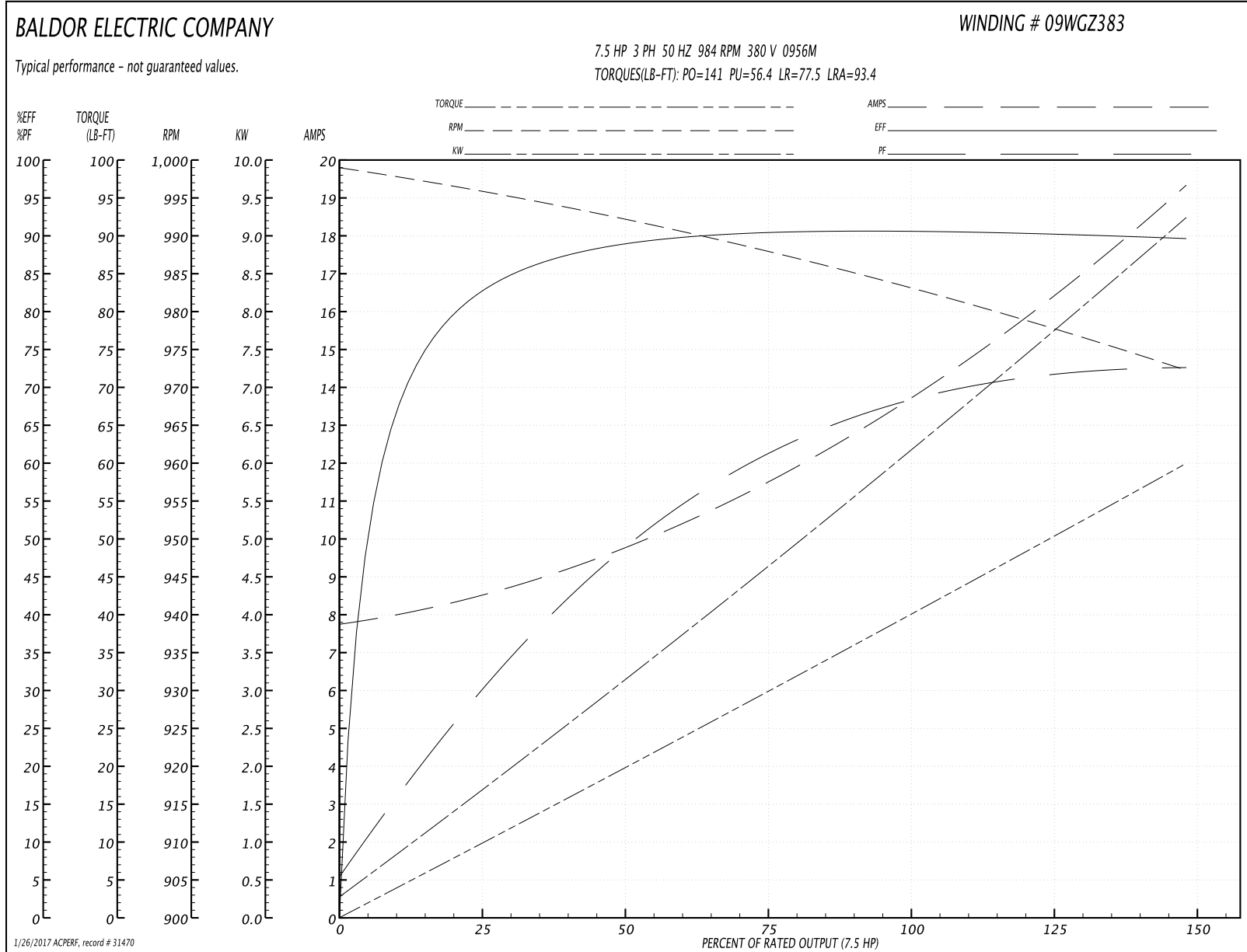
Winding: 09WGZ383-R004	Type: 0956M	Enclosure: XPFC
-------------------------------	--------------------	------------------------

Nameplate Data				380 V, 50 Hz: High Voltage Connection	
Rated Output (HP)	10//7.5			Full Load Torque	40 LB-FT
Volts	230/460//190/380			Start Configuration	direct on line
Full Load Amps	29.2/14.6//27.4/13.7			Breakdown Torque	141 LB-FT
R.P.M.	1180//980			Pull-up Torque	56.4 LB-FT
Hz	60//50	Phase	3	Locked-rotor Torque	77.5 LB-FT
NEMA Design Code	B	KVA Code	J	Starting Current	93.4 A
Service Factor (S.F.)	1			No-load Current	7.77 A
NEMA Nom. Eff.	91	Power Factor	70	Line-line Res. @ 25°C	0.66 Ω
Rating - Duty	40C AMB-CONT			Temp. Rise @ Rated Load	40°C
S.F. Amps				Temp. Rise @ S.F. Load	48°C
				Locked-rotor Power Factor	27
				Rotor inertia	4.5 LB-FT ²

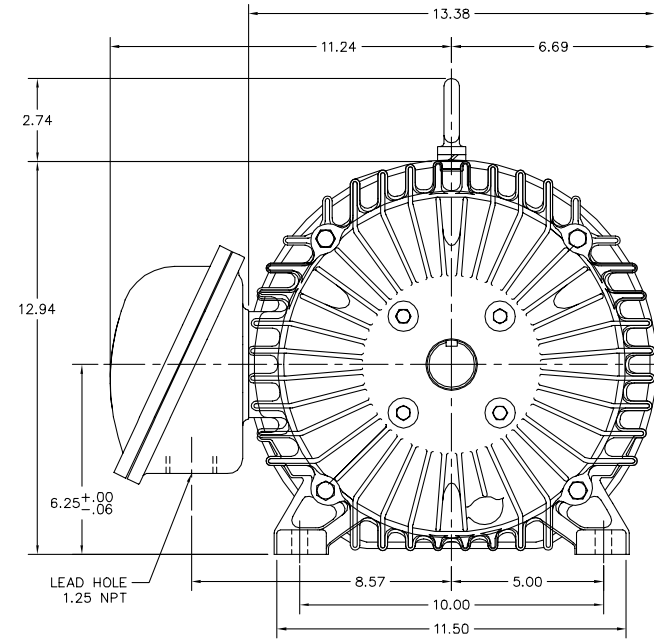
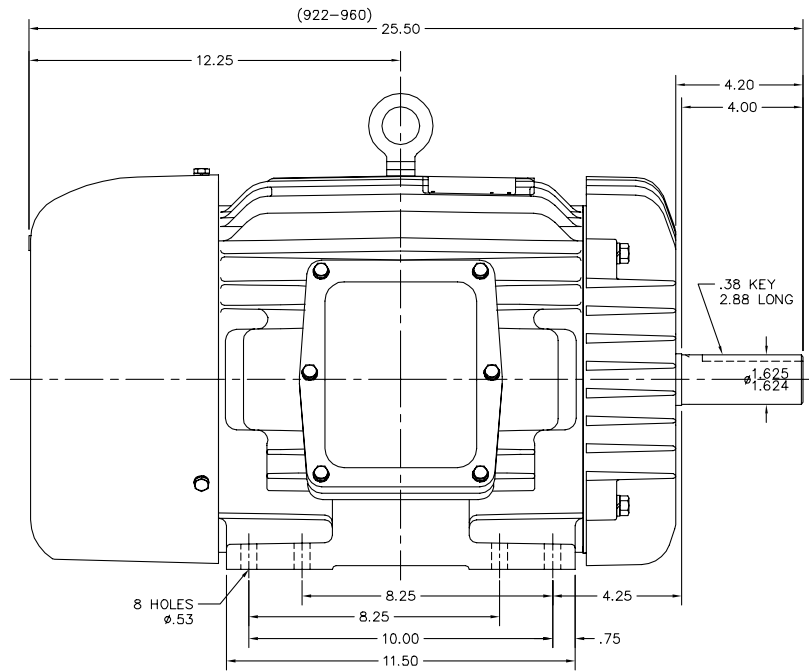
Load Characteristics 380 V, 50 Hz, 7.5 HP

% of Rated Load	25	50	75	100	125	150
Power Factor	31	50	61	68	71	73
Efficiency	82.1	88.8	90.4	90.8	90.4	89.5
Speed	996	992	987	984	978	972
Line amperes	8.54	9.72	11.6	13.7	16.4	19.3

Performance Graph at 380V, 50Hz, 7.5HP Typical performance - Not guaranteed values



09LYE270



09LYE270

CUSTOMER IS RESPONSIBLE FOR DETERMINING THAT BALDOR'S PRODUCT WILL PERFORM SUITABLY IN THE INTENDED APPLICATION.

REV. DESC: UPDATED DESCRIPTION		
REV. LTR: G	VERSION: 04	TDR: 000000855922
FILE: \AAA\00000\626	REVISED: 08:34:04 05/30/2014	BY: ENNINDO
MTL: -		

BALDOR

HORZ XPFC 254-6T CL.I GP.D,CL.II GP.F&G
SH 1 of 1

CD0005

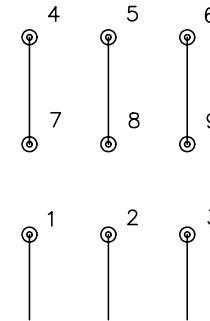


LOW VOLTAGE
(2Y)



LINE

HIGH VOLTAGE
(1Y)



LINE

NOTES:

1. INTERCHANGE ANY TWO LINE LEADS TO REVERSE ROTATION.
2. OPTIONAL THERMOSTATS ARE PROVIDED WHEN SPECIFIED.
3. ACTUAL NUMBER OF INTERNAL PARALLEL CIRCUITS MAY BE A MULTIPLE OF THOSE SHOWN ABOVE.
4. LEAD COLORS ARE OPTIONAL. LEADS MUST ALWAYS BE NUMBERED AS SHOWN.

REV. DESC: REVISE TO SHOW OPTIONAL COLORS			
REV. LTR: E	BY: JLP	REVISED: 01/19/99 10:15	TDR: 0171435
90000		FILE: AAA00005140	MDL: -
		MTL: -	

BALDOR ELECTRIC Co.

3PH, DV, 9 LEADS

CD0005