

# **BALDOR® • RELIANCE**

## **Product Information Packet**

# **EM7080T**

**30//25HP, 1180//980RPM, 3PH, 60//50HZ, 326T**

Part Detail							
Revision:	F	Status:	PRD/A	Change #:		Proprietary:	No
Type:	AC	Prod. Type:	1264M	Elec. Spec:	12WGY812	CD Diagram:	CD0005
Enclosure:	XPFC	Mfg Plant:		Mech. Spec:	12L18	Layout:	12LYL018
Frame:	326T	Mounting:	F1	Poles:	06	Created Date:	09-16-2014
Base:	RG	Rotation:	R	Insulation:	B	Eff. Date:	03-12-2016
Leads:	9#8					Replaced By:	
Literature:		Elec. Diagram:					

Nameplate NP1426XPSLEV	
NO.	<input type="text"/> CC 010A
SER.	<input type="text"/>
SPEC.	12L018Y812G1
CAT.NO.	EM7080T
HP	30//25 T. CODE T3C
VOLTS	230/460//190/380
AMPS	78/39
RPM	1180//980
HZ	60//50 PH 3 CL B
SER.F.	1.00 DES A CODE H
RATING	40C AMB-CONT
FRAME	326T NEMA-NOM-EFF 93
USABLE AT 208V	PF 78
BLANK	<input type="text"/>

Parts List		
Part Number	Description	Quantity
SA287136	SA 12L018Y812G1	1.000 EA
RA273352	RA 12L018Y812G1	1.000 EA
09FN3001B03SP	EXTERNAL FAN, PLASTIC	1.000 EA
12CB1001A01	K.O.BOX, MACH X-PROOF, 1.50 NPT HOLE	1.000 EA
10XN3118K16	5/16-18 X 1' GRADE #5, STL, ZINC PLATE	4.000 EA
HW1001A31	LOCKWASHER 5/16, ZINC PLT.591 OD, .319 I	4.000 EA
WD1000B16	T&B CX70TN TERMINAL	1.000 EA
10XN2520K06	1/4-20 X 3/8" HX HD SCREWGRADE 5, ZINC P	1.000 EA
HW1001A25	LOCKWASHER 1/4, ZINC PLT .493 OD, .255 I	1.000 EA
12EP1705A01	ENDPLATE, MACH. 312 - EXPLOSION PROOF 31	1.000 EA
HA3051A03	1/2-13X2.75 BLT GR8 1.75 TO E NC F/S	4.000 EA
HW1001A50	LOCKWASHER 1/2, ZINC PLT.,879 OD, .509 I	4.000 EA
HW5100A13	W4627-047 WVY WSHER	1.000 EA
12EP1706A01	ENDPLATE, MACH. 312 - EXPLOSION PROOF 31	1.000 EA
10XN3118K44	5/16-18 X 2.75" HEX HD, GRADE 5	4.000 EA
HW1001A31	LOCKWASHER 5/16, ZINC PLT.591 OD, .319 I	4.000 EA
HA3051A03	1/2-13X2.75 BLT GR8 1.75 TO E NC F/S	4.000 EA
HW1001A50	LOCKWASHER 1/2, ZINC PLT.,879 OD, .509 I	4.000 EA
12FH1001A01	FAN HOUSING 312 EXPLOSION PROOF MOTORS	1.000 EA
10XN3118K12	5/16-18 X .75 GRADE 5, ZINC PLATED	3.000 EA
HW1001A31	LOCKWASHER 5/16, ZINC PLT.591 OD, .319 I	3.000 EA
12CB1501A01	COND.BOX LID, MACH., X-PROOF, 310,312	1.000 EA
10XN3816K20	3/8-16 X 1.25 HEX HD CAP GRADE 5	6.000 EA
HW1001A38	LOCKWASHER 3/8, ZINC PLT .688 OD, .382 I	6.000 EA

<b>Parts List (continued)</b>		
<b>Part Number</b>	<b>Description</b>	<b>Quantity</b>
HW2501H33	KEY, 1/2 SQ X 3.875	1.000 EA
LB1115N	LABEL,LIFTING DEVICE (ON ROLLS)	1.000 EA
LB1073	ALUM XP CAUTION LABEL	1.000 EA
HW4500A20	1/8NPT SL PIPE PLUG	2.000 EA
MJ1000A02	GREASE, POLYREX EM EXXON (USe 4824-15A)	0.200 LB
HW4500A20	1/8NPT SL PIPE PLUG	2.000 EA
HW2500A25	WOODRUFF KEY USA #1008 #BLOW CARBON STEE	1.000 EA
51XB1214A20	12-14X1.25 HXWSSLD SERTYB	1.000 EA
MG1025G05	WILKOFASST, 789.227, MED. GRAY CHAR. MET.	0.125 GA
85XU0407S04	4X1/4 U DRIVE PIN STAINLESS	6.000 EA
LB1119N	WARNING LABEL	1.000 EA
LC0145B01	CONNECTION LABEL	1.000 EA
NP1426XPSLEV	SS XP UL CSA-EEV CC CL-I GP-D	1.000 EA
14PA1000	PACKAGING 314 GROUP COMBINED PRINT	1.000 EA
MN416A01	TAG-INSTAL-MAINT no wire (1000/bx) 11/14	1.000 EA

**AC Induction Motor Performance Data**

Record # 47204 - Typical performance - not guaranteed values

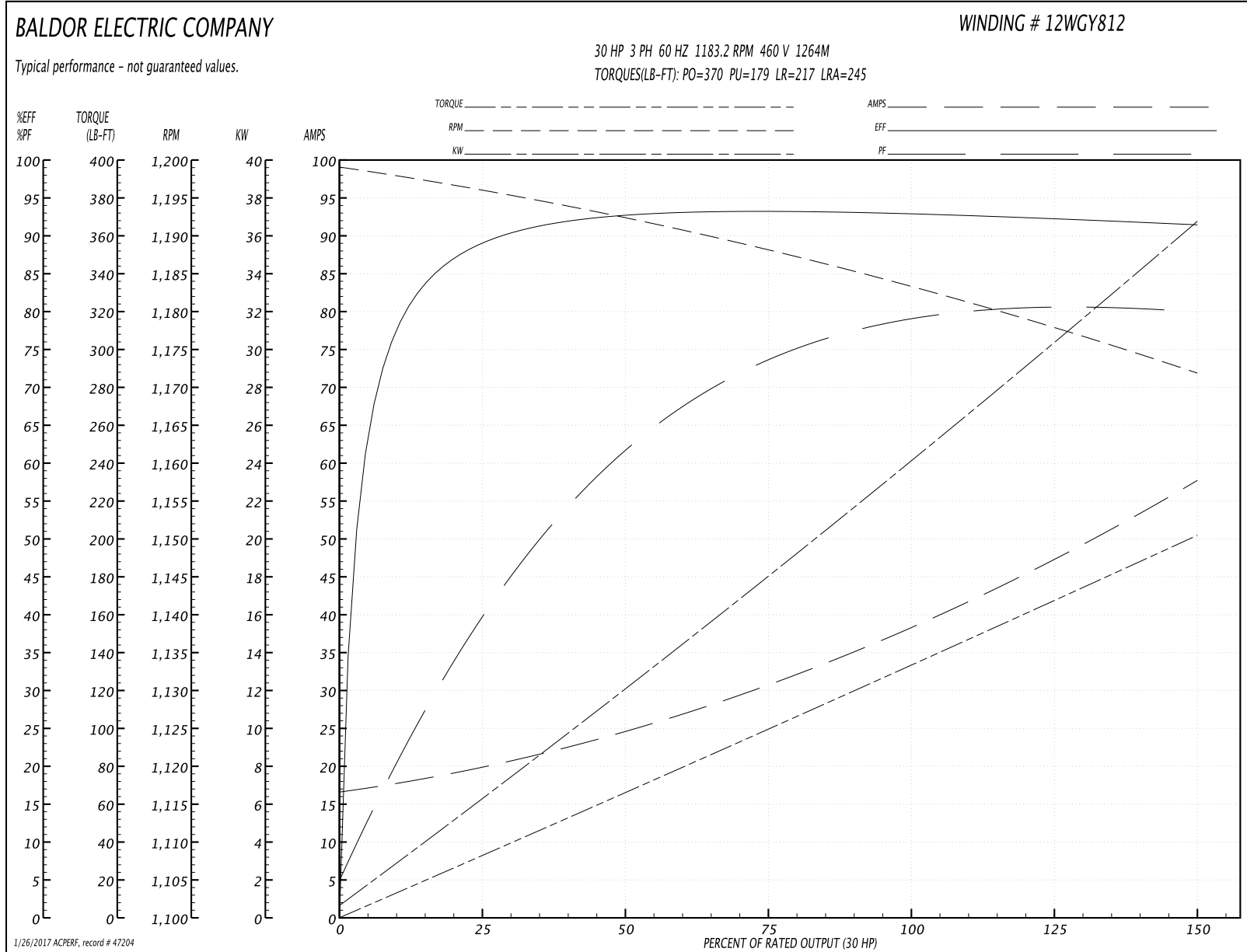
<b>Winding:</b> 12WGY812-R004	<b>Type:</b> 1264M	<b>Enclosure:</b> XPFC
-------------------------------	--------------------	------------------------

Nameplate Data				460 V, 60 Hz: High Voltage Connection	
Rated Output (HP)	30//25			Full Load Torque	133 LB-FT
Volts	230/460//190/380			Start Configuration	direct on line
Full Load Amps	78/39			Breakdown Torque	370 LB-FT
R.P.M.	1180//980			Pull-up Torque	179 LB-FT
Hz	60//50	Phase	3	Locked-rotor Torque	217 LB-FT
NEMA Design Code	A	KVA Code	H	Starting Current	245 A
Service Factor (S.F.)	1			No-load Current	17.2 A
NEMA Nom. Eff.	93	Power Factor	78	Line-line Res. @ 25°C	0.22799 Ω
Rating - Duty	40C AMB-CONT			Temp. Rise @ Rated Load	56°C

Load Characteristics 460 V, 60 Hz, 30 HP

% of Rated Load	25	50	75	100	125	150
Power Factor	42	63	73	78	80	80
Efficiency	89	92.7	93.4	93.1	92.4	91.4
Speed	1196.5	1191.9	1188.3	1183.2	1178.2	1171.8
Line amperes	19.2	24.1	31	38.7	47.5	57.3

Performance Graph at 460V, 60Hz, 30.0HP Typical performance - Not guaranteed values



**AC Induction Motor Performance Data**

Record # 47205 - Typical performance - not guaranteed values

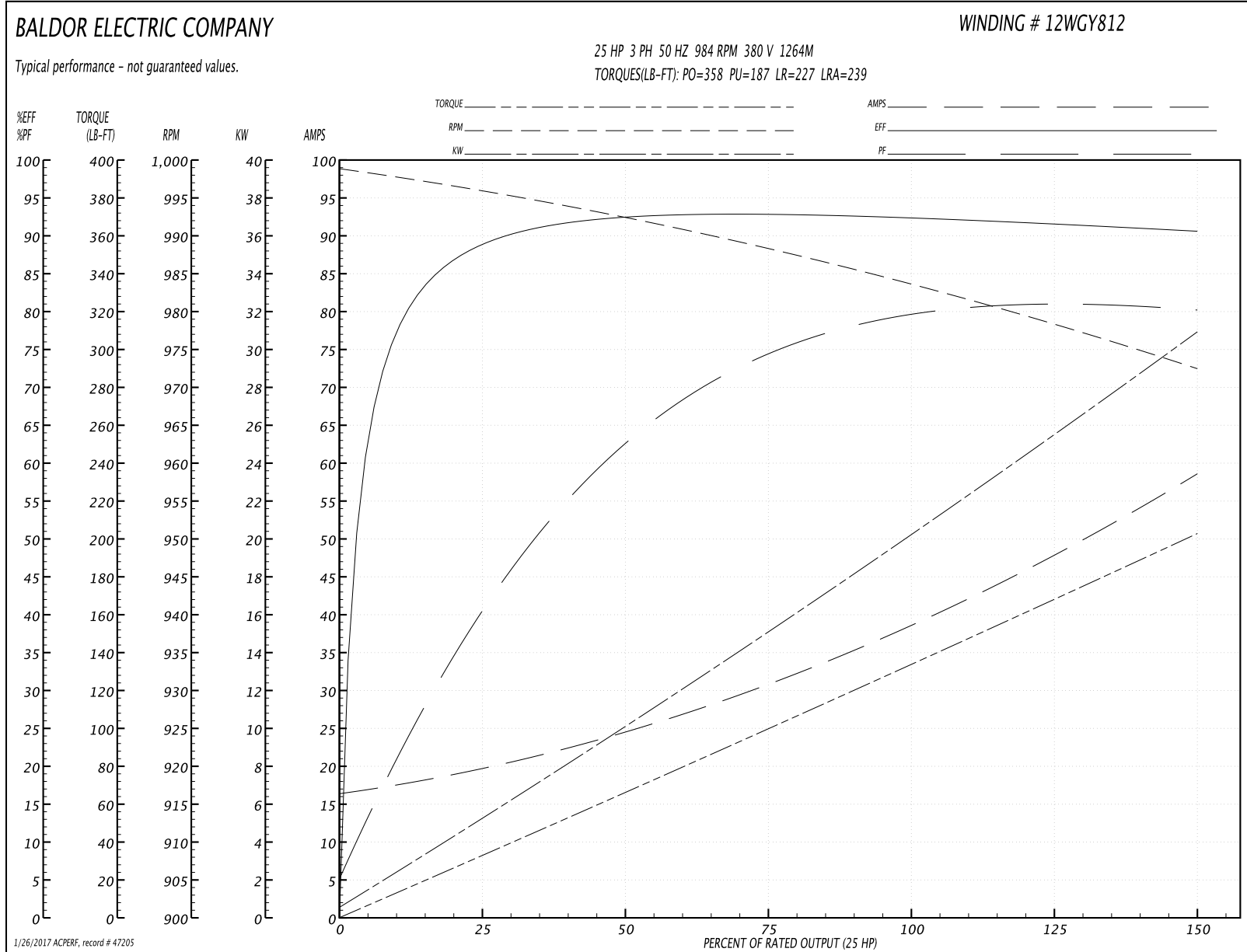
<b>Winding:</b> 12WGY812-R004	<b>Type:</b> 1264M	<b>Enclosure:</b> XPFC
-------------------------------	--------------------	------------------------

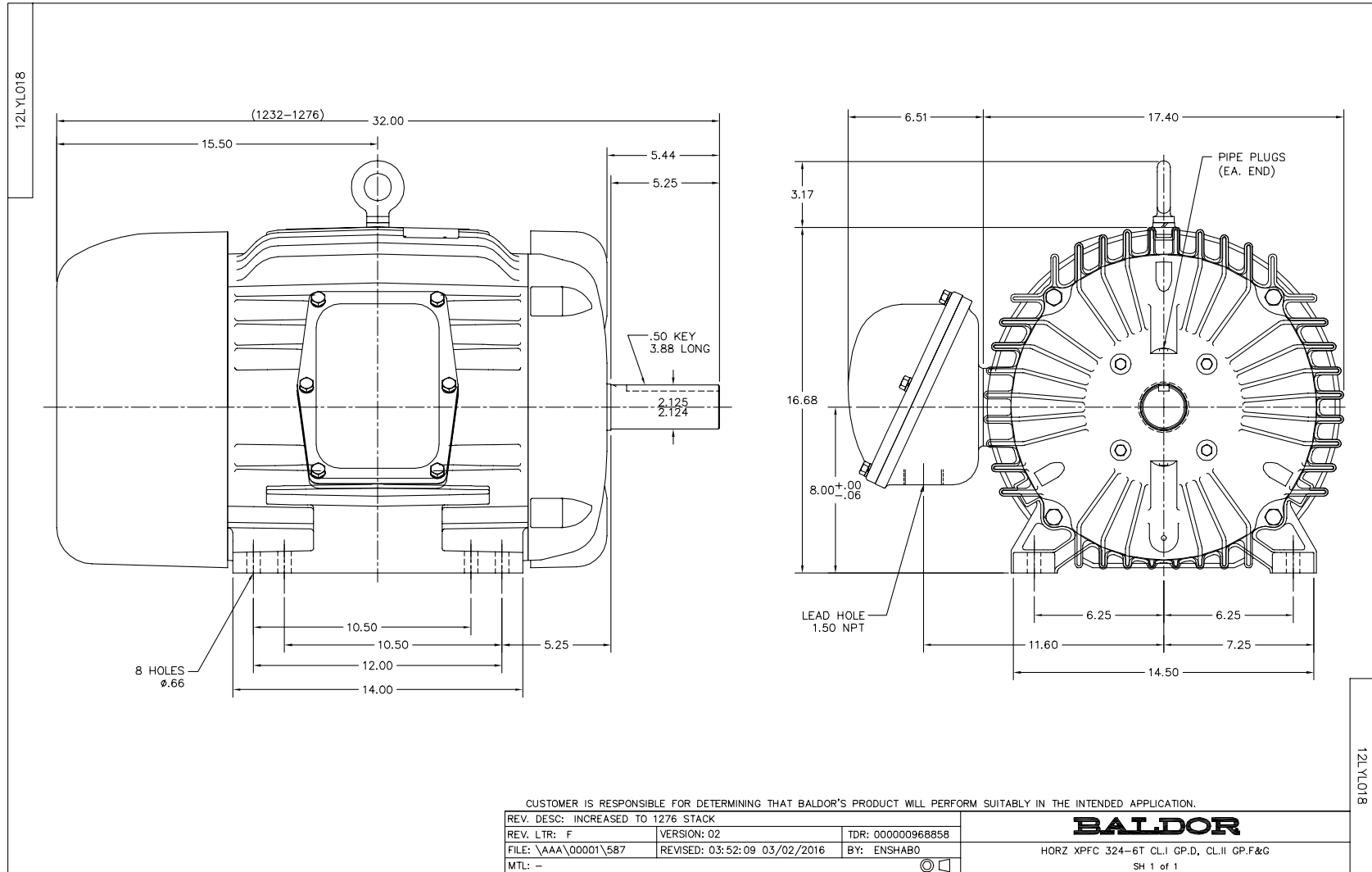
Nameplate Data				380 V, 50 Hz: High Voltage Connection	
Rated Output (HP)	30//25			Full Load Torque	133 LB-FT
Volts	230/460//190/380			Start Configuration	direct on line
Full Load Amps	78/39			Breakdown Torque	358 LB-FT
R.P.M.	1180//980			Pull-up Torque	187 LB-FT
Hz	60//50	Phase	3	Locked-rotor Torque	227 LB-FT
NEMA Design Code	A	KVA Code	H	Starting Current	239 A
Service Factor (S.F.)	1			No-load Current	17 A
NEMA Nom. Eff.	93	Power Factor	78	Line-line Res. @ 25°C	0.221 Ω
Rating - Duty	40C AMB-CONT			Temp. Rise @ Rated Load	56°C
				Locked-rotor Power Factor	30.6
				Rotor inertia	12.2 LB-FT <sup>2</sup>

Load Characteristics 380 V, 50 Hz, 25 HP

% of Rated Load	25	50	75	100	125	150
Power Factor	42	64	74	79	80	81
Efficiency	88.8	92.4	93	92.2	91.8	90.5
Speed	996	992	988	984	979	972
Line amperes	19	24	31.1	39	48.1	58.2

Performance Graph at 380V, 50Hz, 25.0HP Typical performance - Not guaranteed values

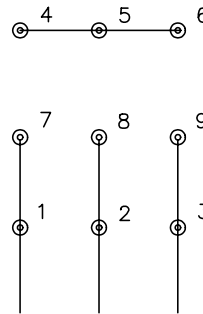




CD0005

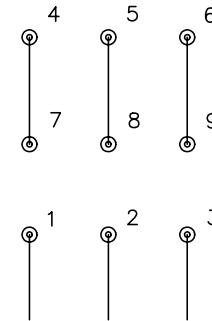


LOW VOLTAGE  
(2Y)



LINE

HIGH VOLTAGE  
(1Y)



LINE

NOTES:

1. INTERCHANGE ANY TWO LINE LEADS TO REVERSE ROTATION.
2. OPTIONAL THERMOSTATS ARE PROVIDED WHEN SPECIFIED.
3. ACTUAL NUMBER OF INTERNAL PARALLEL CIRCUITS MAY BE A MULTIPLE OF THOSE SHOWN ABOVE.
4. LEAD COLORS ARE OPTIONAL. LEADS MUST ALWAYS BE NUMBERED AS SHOWN.

REV. DESC: REVISE TO SHOW OPTIONAL COLORS			
REV. LTR: E	BY: JLP	REVISED: 01/19/99 10:15	TDR: 0171435
90000		FILE: AAA00005140	MDL: -
		MTL: -	

**BALDOR ELECTRIC Co.**

3PH, DV, 9 LEADS

CD0005