

BALDOR® • ***RELIANCE***

Product Information Packet

EM7084T

40HP, 1180RPM, 3PH, 60HZ, 364T, XPFC, F1

Part Detail							
Revision:	-	Status:	PRD/A	Change #:		Proprietary:	No
Type:	AC	Prod. Type:	A36064M	Elec. Spec:	A36WG0791	CD Diagram:	416820-002
Enclosure:	TEFC	Mfg Plant:		Mech. Spec:		Layout:	611742-983-SH1
Frame:	364T	Mounting:	F1	Poles:	06	Created Date:	03-09-2016
Base:		Rotation:	R	Insulation:	F	Eff. Date:	04-14-2016
Leads:	3#6,6#8					Replaced By:	
Literature:		Elec. Diagram:					

Nameplate 000613006PC

CLASS I GROUP	D X X
CLASS II GROUP	F G X
OPERATING TEMP CODE	T3C

Nameplate NP2293L			
CAT.NO.	EM7084T	SPEC NO.	P36G4717
HP	40//30	PHASE	3
RPM	1180//985	DESIGN	B
VOLTS	230/460//190/380	TYPE	P
AMPS	94.4/47.2//86.6/43.3	AMB	40
DRIVE END BEARING	65BC03JPP30A	SF	1.00
OPP D.E. BEARING	65BC03JPP30A	DUTY	CONT
SER.NO.		ENCL	TEFC
		INSUL.CLASS	F
		CODE	F
		NEMA-NOM-EFFICIENCY	94.1
		SUIT FOR 208V @ 105 AMPS	
		FRAME	364T
		MOTOR WEIGHT	886

Parts List		
Part Number	Description	Quantity
SA316494	SA P36G4717	1.000 EA
RA304067	RA P36G4717	1.000 EA
000613006PC	N/P U/L (REL QTY 500)	1.000 EA
NP2293L	BALDOR RELIANCE INDUST. MTR,SS,CSA-C US,	1.000 EA
000692000VD	LABEL WARNING	1.000 EA
421948032	LABEL, MYLAR	1.000 EA
004824015A	GREASE POLYREX EM	0.544 LB
032018008AK	HHCS 1/4-20X1 PLATED	4.000 EA
032018018CK	HHCS 3/8-16X2-1/4 PLTD.	2.000 EA
032130020DB	SHSCS 1/2-13X2-1/2 PLTD.	4.000 EA
034017012AB	LCKW 1/4 STD. PLATED	4.000 EA
034017014AB	LCKW 3/8 STD. PLATED	2.000 EA
034017016AB	LCKW 1/2" PLATED	4.000 EA
034180012DA	KEY 1X4X1/4X1-1/2 L	1.000 EA
034530056AC	P/NIP 1/8X7L GALV-365	1.000 EA
034690001AB	SQHDPLG, COND	1.000 EA
034690002AB	"unbulked" PPLG 1/4" PLTD.	1.000 EA
078549001R	FAN 360 078549001F	1.000 EA
078559001A	+FANCV - 360	1.000 EA
087793050B	BRKT 360 087793050WCB	1.000 EA
410700004F	WSHR	1.000 EA
415072001B	CLAMP	1.000 EA
415096002A	CPLG 1/8 HEX TYPE	1.000 EA
032018018CK	HHCS 3/8-16X2-1/4 PLTD.	2.000 EA

Parts List (continued)		
Part Number	Description	Quantity
032130020DB	SHSCS 1/2-13X2-1/2 PLTD.	4.000 EA
034017014AB	LCKW 3/8 STD. PLATED	2.000 EA
034017016AB	LCKW 1/2" PLATED	4.000 EA
034690001AB	SQHDPLG, COND	1.000 EA
415045002E	SLGR	1.000 EA
034690002AB	"unbulked" PPLG 1/4" PLTD.	1.000 EA
087793050A	BRKT 360 087793050WCB	1.000 EA
032018004AM	HHCS 1/4-20X1/2PLTD GREN	1.000 EA
032018010CK	HHCS 3/8-16X1-1/4 PLTD.	6.000 EA
034017014AB	LCKW 3/8 STD. PLATED	6.000 EA
034036012AB	LCKW EXTERNAL TOOTH 1/4"	1.000 EA
14CB1500A01	CONDUIT BOX LID MACH	1.000 EA
14CB1000A01	CONDUIT BOX, BOLT-ON, MACH, XP 360 & 400	1.000 EA
406099000A	PLUG - FAN COVER 320-440	1.000 EA
415000103A	T/LUG #14AWG-#4AWG W/HOLE FOR .250 BOLT	1.000 EA
MG1025G05	WILKOFAS, 789.227, MED. GRAY CHAR. MET.	0.250 GA
033775004EA	DRSCR #6-1/4 304 S.S.	8.000 EA
034180034HA	KEY 5/8X5/8X4-1/4 L	1.000 EA
14PA1000	PACKAGING 314 GROUP COMBINED PRINT	1.000 EA
032018010CK	HHCS 3/8-16X1-1/4 PLTD.	4.000 EA
034017014AB	LCKW 3/8 STD. PLATED	4.000 EA
LB1073	ALUM XP CAUTION LABEL	1.000 EA
85XU0407S04	4X1/4 U DRIVE PIN STAINLESS	2.000 EA

611742-983-SH1

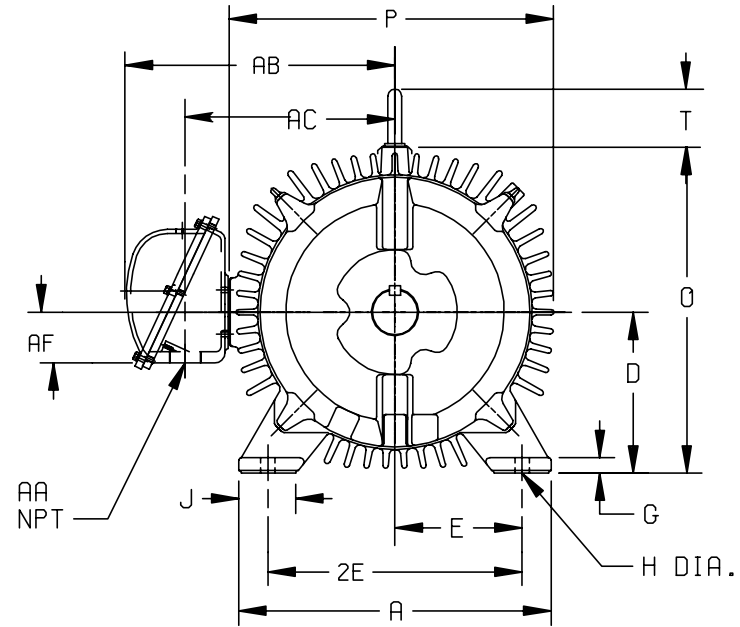
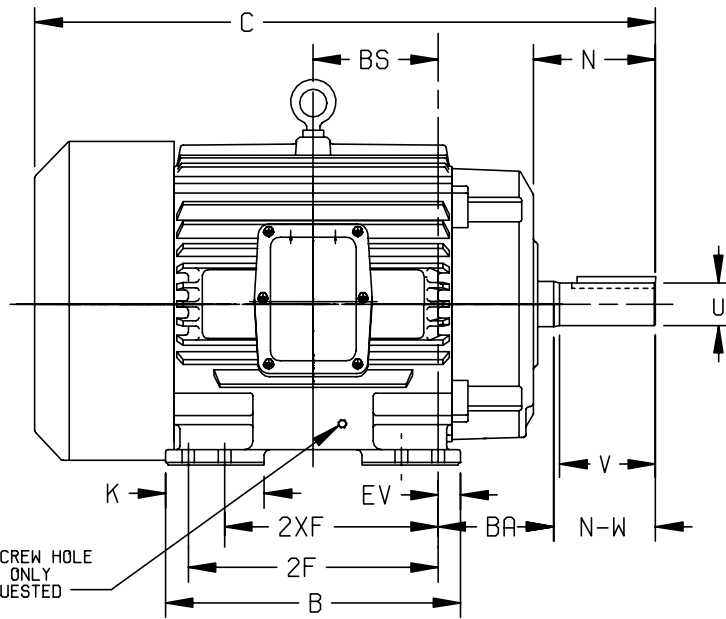
DUTY MASTER ALTERNATING CURRENT MOTORS

ENCLOSURE: TOTALLY ENCLOSED
 UNDERWRITERS LISTED MOTOR
 MOUNTING: FOOT

SQUIRREL-CAGE INDUCTION

FRAMES E364T-E365TS

COOLING: FAN COOLED
 BOLTED ON CONDUIT BOX



DIMENSIONS ARE IN INCHES; SEE SHEET 2 FOR DIMENSIONS IN MILLIMETERS

FRAME	A	D(1)	E	G	H	J	K	O	P	T	XP TERMINAL BOX					BA	EV
											AA	AB	AC	AF	AF		
E364T-365TS	17.00	9.00	7.00	.88	.69	2.75	4.00	19.11	20.25	2.94	2-1/2	18.64	14.14	4.00	5.88	1.38	

FRAME SIZE	C	BS	B	2F	(3) 2XF	N	SHAFT AND KEY					WEIGHT LBS. (4)
							N-W(5)	U(2)	V	SQ.	LGTH.	
E364T	33.44	6.12	15.00	---	11.25	6.00	5.88	2.375	5.62	.625	4.25	910
E364TS	31.31	6.12	15.00	---	11.25	3.88	3.75	1.875	3.50	.500	2.00	904
E365T	33.44	6.12	15.00	12.25	---	6.00	5.88	2.375	5.62	.625	4.25	950
E365TS	31.31	6.12	15.00	12.25	---	3.88	3.75	1.875	3.50	.500	2.00	944

- (1) "D" VARIES +.00, -.06.
- (2) "U" VARIES +.000, -.001.
- (3) ALL FRAMES HAVE EIGHT MOUNTING HOLES FOR DUAL MOUNTING.
- (4) MOTOR WEIGHTS MAY VARY BY 15% DEPENDING UPON RATING.
- (5) "N-W" VARIES +.00, -.25.

CONDUIT BOX LOCATED ON OPPOSITE SIDE WHEN F-2,W-1, W-4,W-5,W-7, OR C-1 MOUNTING IS SPECIFIED.

IF MOUNTING CLEARANCE DETAILS ARE REQUIRED, CONSULT FACTORY.

MAXIMUM PERMISSIBLE SHAFT RUNOUT WHEN MEASURED AT END OF STD. SHAFT EXTENSION IS .003

CUSTOMER IS RESPONSIBLE FOR DETERMINING THAT BALDOR'S PRODUCT WILL PERFORM SUITABLY IN THE INTENDED APPLICATION.

REV. DESC: NEW ISSUE		
REV. LTR: -	VERSION: 00	TDR: 000000969971
FILE: \RAG\00021\494	REVISED: 02: 20: 27 03/09/2016	BY: RAGGDM
MTL: -		

BALDOR

DIM SHT FCXP FT E360T BOLTED ON C/B W/2-1/2"NPT

SH 1 of 1

611742-983-SH1

Marketing maintained PDF of MN408:

<http://www.baldor.com/support/Literature/Load.ashx/MN408?ManNumber=MN408>

Marketing maintained PDF of MN416:

<http://www.baldor.com/support/Literature/Load.ashx/MN416?ManNumber=MN416>