

BALDOR® • **RELIANCE**

Product Information Packet

GDL1615T

16HP, 1760RPM, 1PH, 60HZ, 256TZ, 3956LC, OPSB

Part Detail							
Revision:	U	Status:	PRD/A	Change #:		Proprietary:	No
Type:	AC	Prod. Type:	3956LC	Elec. Spec:	39WGX522	CD Diagram:	CD1084
Enclosure:	OPSB	Mfg Plant:		Mech. Spec:	39T017	Layout:	39LYT017
Frame:	256TZ	Mounting:	F1	Poles:	04	Created Date:	10-03-2005
Base:	RG	Rotation:	R	Insulation:	F	Eff. Date:	09-21-2016
Leads:	2#6 A PH,2#12 B PH					Replaced By:	
Literature:		Elec. Diagram:					

Nameplate NP1256L										
CAT.NO.	GDL1615T									
SPEC.	39T017X522									
HP	16									
VOLTS	208-230									
AMP	71-62									
RPM	1760									
FRAME	256TZ				HZ	60			PH	1
SER.F.	1.00		CODE	L	DES	L		CLASS	F	
NEMA-NOM-EFF	86.5		PF	96						
RATING	40C AMB-CONT									
CC									USABLE AT 208V	
DE	6309				ODE	6307				
ENCL	OPSB		SN							

Parts List		
Part Number	Description	Quantity
SA133990	SA 39T017X522	1.000 EA
RA123832	RA 39T017X522	1.000 EA
OC3050F09SP	CYL OIL CAP 50MFD/370V	2.000 EA
RE0045A12	RELAY,GE #CR453CC2BAA, 30 AMP	1.000 EA
EC1216C06SP	ELEC CAP, 216-259 MFD, 250V, 2.06D X 4.	4.000 EA
HA6361A01	LIFTING LUG FOR 37, 39 & 40 FRAME ZINC	2.000 EA
37CB3804A67	SPL CAPAC. BX 37 MOTORS FOR 6-7 CAPAC. W	1.000 EA
37GS3015	GASKET, CAPAC BOX	1.000 EA
51XW2520A12	.25-20 X .75, TAPTITE II, HEX WSHR SLTD	4.000 EA
HA6003A47	CAPAC CLAMP	1.000 EA
HA7419	SPL BRACKET FOR MTG. CONTACT TO SINGLE P	1.000 EA
51XW1032A06	10-32 X .38, TAPTITE II, HEX WSHR SLTD S	7.000 EA
HA6003A45	CAPAC CLAMP - CLIP (WHITE ZINC PLATED)	2.000 EA
51XB1016A08	10-16X 1/2HXWSSLD SERTYB	2.000 EA
WD1000D90	T&B RC2577FM,90 DEG INSUL. FLAG TERMINAL	2.000 EA
WD1000A03	41531 AMP FLG.TERM,4M/REEL(2.5MIL)	30.000 EA
WD1000D90	T&B RC2577FM,90 DEG INSUL. FLAG TERMINAL	1.000 EA
52XF1032G06	10-32X3/8 HX STD SER TYF	1.000 EA
HW1001A10	WASHER, #10 SPLT LK, ZN X	1.000 EA
39EP3200A53	FREP 307 BRG, NO GREASER W/STATIONARY SW	1.000 EA
HA1101A01	RODENT SCREEN, 39 MTR	1.000 EA
51XW1032A06	10-32 X .38, TAPTITE II, HEX WSHR SLTD S	4.000 EA
SP5165	MODEL 39 DOUBLE ARM STATIONARY SWITCH	1.000 EA
NS2557	SWITCH INSULATOR 39 FRAME	1.000 EA

Parts List (continued)		
Part Number	Description	Quantity
51XW0832A07	8-32 X .44, TAPTITE II, HEX WSHR SLTD SE	2.000 EA
HW5100A08	W3118-035 WVY WSHR (WB)	1.000 EA
39EP3201A14	PU ENDPLATE, MACH	1.000 EA
HA1101A01	RODENT SCREEN, 39 MTR	1.000 EA
51XW1032A06	10-32 X .38, TAPTITE II, HEX WSHR SLTD S	4.000 EA
XY3816A12	3/8-16 FINISHED NUT	8.000 EA
37CB4509	CAPAC BOX LID, STAMPED	1.000 EA
37GS3016	GASKET, CAPAC BOX LID	1.000 EA
HW2501G25	KEY, 3/8 SQ X 2.875	1.000 EA
LB1115N	LABEL,LIFTING DEVICE (ON ROLLS)	1.000 EA
MN416A01	TAG-INSTAL-MAINT no wire (1200/bx) 11/14	1.000 EA
39AD2002A01	BAFFLE PLATE 39 OPEN, SLOTTED BAND MTRS	1.000 EA
MJ1000A02	GREASE, POLYREX EM EXXON (USe 4824-15A)	0.030 LB
39AD2002A01	BAFFLE PLATE 39 OPEN, SLOTTED BAND MTRS	1.000 EA
HA3154A03	STUD, 3/8-16 X 17.75	4.000 EA
51XB1016A07	10-16 X 7/16 HXWSSLD SERTYB	6.000 EA
MG1025G05	WILKOFAS, 789.227, MED. GRAY CHAR. MET.	0.050 GA
85XU0407S04	4X1/4 U DRIVE PIN STAINLESS	2.000 EA
LB1119N	WARNING LABEL	1.000 EA
LC0017	CONN LABEL-1 PHASE-SINGLE VOLT-REV ROTNO	1.000 EA
NP1256L	ALUM UL CSA CC	1.000 EA
40PA1000	PACKAGING GROUP	1.000 EA

Accessories		
Part Number	Description	Multiplier
39-3400	C FACE KIT	A8

AC Induction Motor Performance Data

Record # 37180 - Typical performance - not guaranteed values

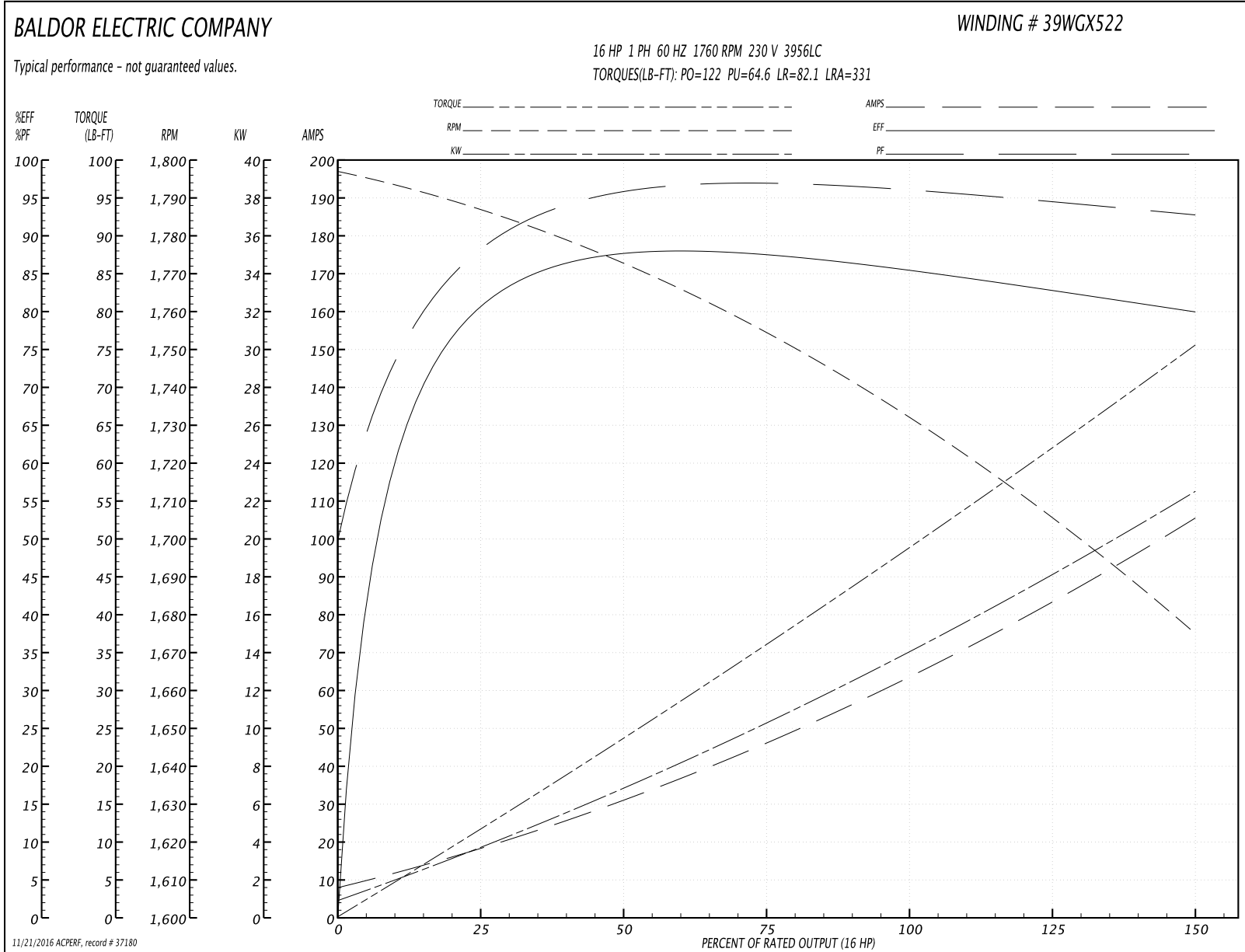
Winding: 39WGX522-R006	Type: 3956LC	Enclosure: OPSB
-------------------------------	---------------------	------------------------

Nameplate Data				230 V, 60 Hz: Single Voltage Motor	
Rated Output (HP)	16			Full Load Torque	48.7 LB-FT
Volts	208-230			Start Configuration	direct on line
Full Load Amps	71-62			Breakdown Torque	122 LB-FT
R.P.M.	1760			Pull-up Torque	64.6 LB-FT
Hz	60	Phase	1	Locked-rotor Torque	82.1 LB-FT
NEMA Design Code	L	KVA Code	L	Starting Current	331 A
Service Factor (S.F.)	1			No-load Current	7.42 A
NEMA Nom. Eff.	86.5	Power Factor	96	Line-line Res. @ 25°C	0.11 Ω A Ph 0.419 Ω B Ph
Rating - Duty	40C AMB-CONT			Temp. Rise @ Rated Load	54°C

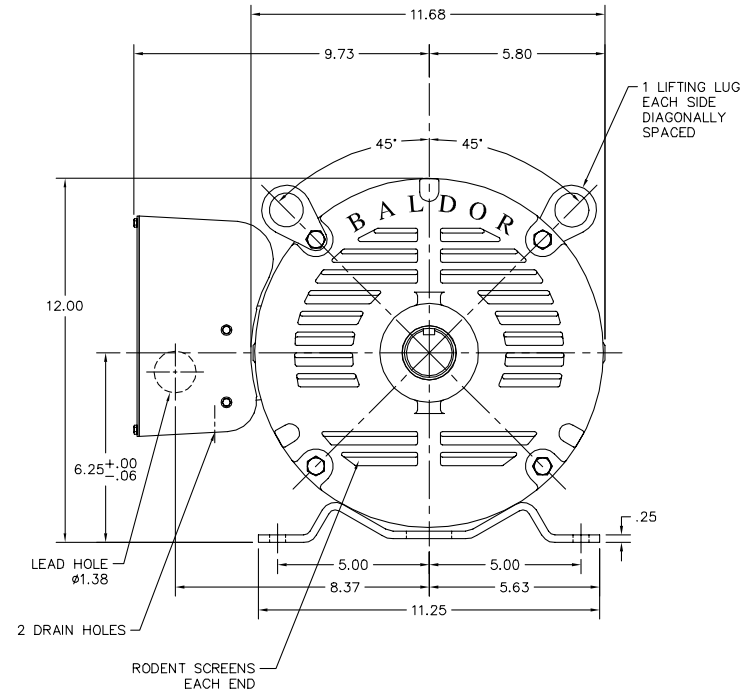
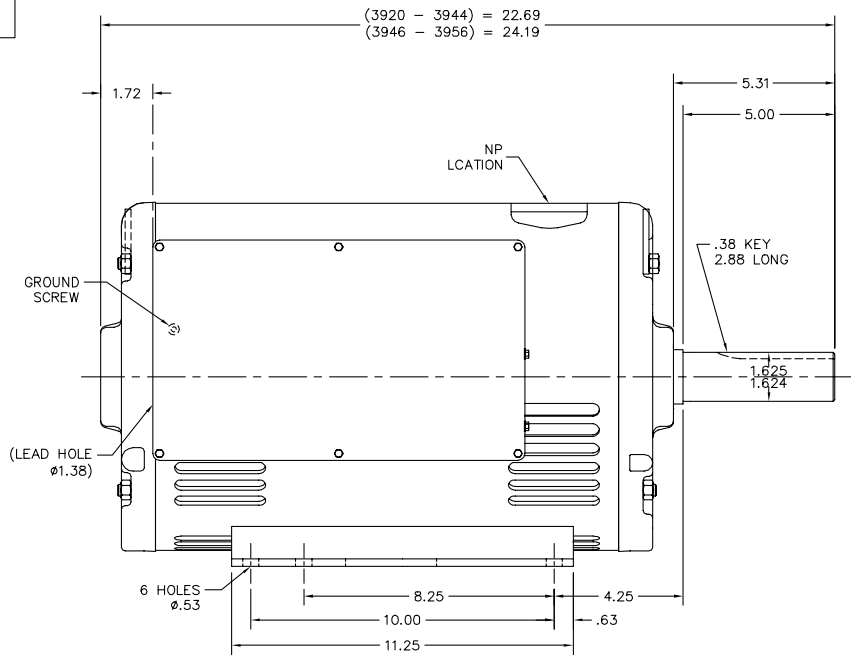
Load Characteristics 230 V, 60 Hz, 16 HP

% of Rated Load	25	50	75	100	125	150
Power Factor	91	96	96	96	95	93
Efficiency	82.9	78.7	89.1	87.3	84.2	78.8
Speed	1785	1771	1753	1734	1710	1672
Line amperes	17.5	34.6	45.6	62.4	81.4	107

Performance Graph at 230V, 60Hz, 16.0HP Typical performance - Not guaranteed values



39LYT017



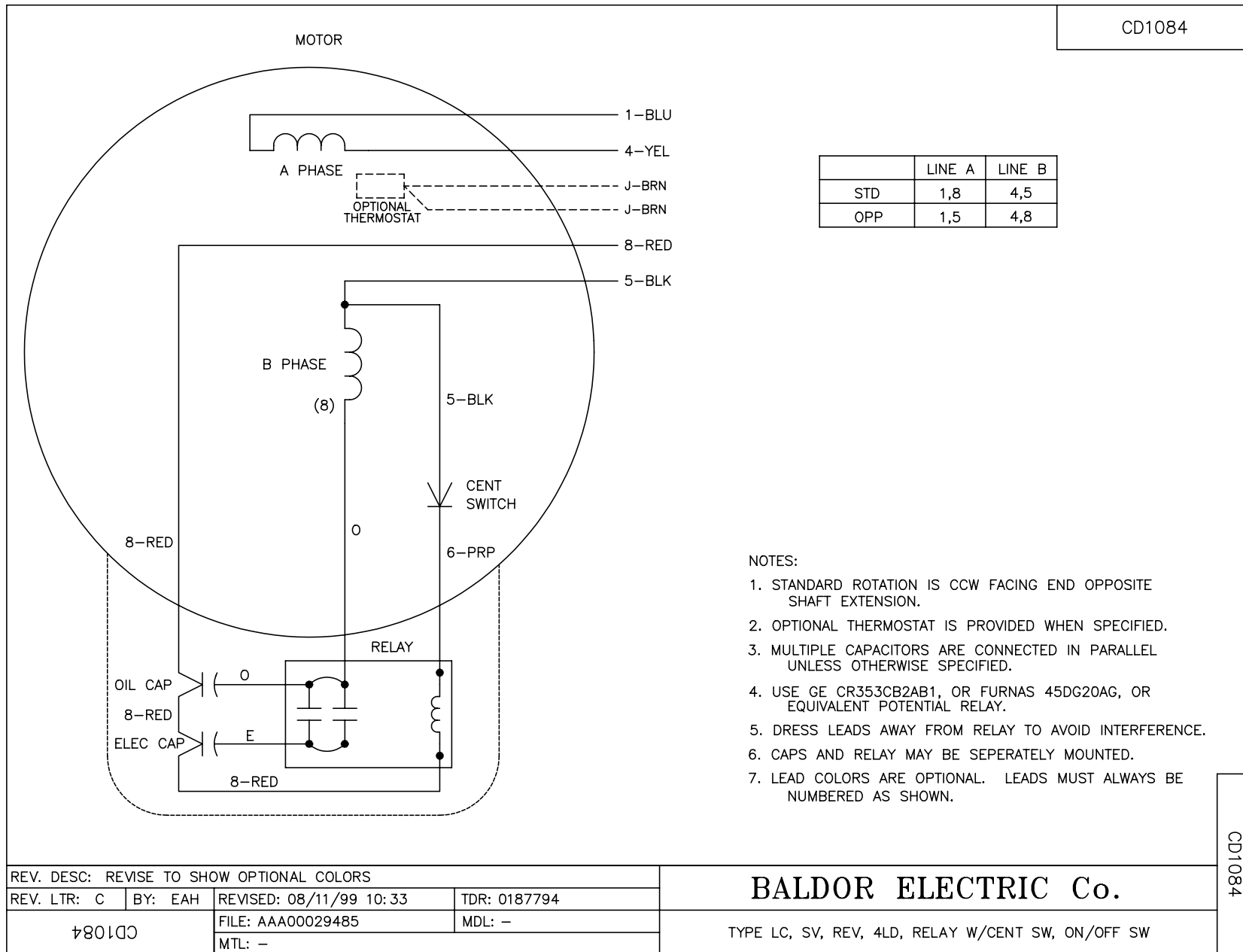
CUSTOMER IS RESPONSIBLE FOR DETERMINING THAT MOTOR PERFORMANCE IS SUITABLE IN THE APPLICATION.

REV. DESC: OPEN IN ACAD SO THE REV WILL MATCH BUS		
REV. LTR: B	VERSION: 02	TDR: 000000425457
FILE: \AAA\00113\683	REVISED: 12:36:12 03/16/2007	BY: ENROBRO
MTL: -		

BALDOR ELECTRIC Co.
HOR OPSB 254-6TZ LC: SPL SWITCH, ROD SCREENS, SEALED BRGS

39LYT017

CD1084



CD1084

REV. DESC: REVISE TO SHOW OPTIONAL COLORS			
REV. LTR: C	BY: EAH	REVISED: 08/11/99 10:33	TDR: 0187794
†801DC		FILE: AAA00029485	MDL: -
		MTL: -	

BALDOR ELECTRIC Co.

TYPE LC, SV, REV, 4LD, RELAY W/CENT SW, ON/OFF SW