

BALDOR® • **RELIANCE**

Product Information Packet

IDDRPM251254

125HP, 1750RPM, 3PH, N/AHZ, 2586, DPG-FV,

Part Detail							
Revision:	-	Status:	PRD/A	Change #:		Proprietary:	No
Type:	AC	Prod. Type:		Elec. Spec:	L1824A	CD Diagram:	422927-001
Enclosure:	DPFV	Mfg Plant:		Mech. Spec:		Layout:	617222-001
Frame:	RL2586	Mounting:	F1	Poles:	04	Created Date:	04-10-2015
Base:		Rotation:	R	Insulation:	H	Eff. Date:	04-13-2015
Leads:						Replaced By:	
Literature:		Elec. Diagram:					

Parts List		
Part Number	Description	Quantity
WS286725	WS P25R0233	1.000 EA
RA282933	RA P25R0233	1.000 EA
000613006NN	RPM AC WITH CERTIFIED LOGOS	1.000 EA
000692000FP	NP, WARNING LIFT INSTRUCTIONS	1.000 EA
000692000VD	LABEL WARNING	1.000 EA
036170004EA	ROUND HEAD DRIVE SCREW	4.000 EA
422927001	C/D LABEL	1.000 EA
036100080KA	M10-1.50X 80MM HXSOCHDCS	3.000 EA
036140001C	EYEBOLT - 400	2.000 EA
036500010AB	METRIC NUT M10-1.5PLTD400	4.000 EA
036500010AB	METRIC NUT M10-1.5PLTD400	4.000 EA
400638001H	SPRING WASHER	1.000 EA
602018077A	DRAIN	1.000 EA
602018077A	DRAIN	1.000 EA
609830005ABR	STUD FRAME .375X16.9 L	4.000 EA
807528202EAE	BRKT,DE,RL250,DPFV	1.000 EA
807528203CCB	BRKT,ODE,RL250,DPFV	1.000 EA
000613006NT	NAME PLATE IEC	1.000 EA
032018004DK	HHCS,DRIP COVER	4.000 EA
032018008CK	HHCS 3/8-16X1L PLATED	4.000 EA
034017014AB	LCKW 3/8 STD. PLATED	4.000 EA
036000012HB	HHCS M6X12MM LONG PLATED	4.000 EA
036000012JB	M8-1.25 X 12MM HXHDC	3.000 EA
036000012JB	M8-1.25 X 12MM HXHDC	4.000 EA

Parts List (continued)		
Part Number	Description	Quantity
036000020HB	HHCS M6-1.0X20MM PLATED	8.000 EA
036000020JB	HHCS M8-1.25X20L PLTD-250	4.000 EA
036000030HB	MHHCSM6-1.0X30MMPLTD-250	4.000 EA
036321020HB	HEXSOCKET FLAT SCREW M	4.000 EA
036600009AB	METRIC FLWASH M8 PLATED	3.000 EA
036601008AB	M6 FLAT WASHER	4.000 EA
036620009AB	M8 EXTERNAL LK WASHER	1.000 EA
077176001A	CBOXC, PAINTED 360-400	1.000 EA
402731001A	GASK 360-440	1.000 EA
410978010C	FLANGE, INLET BLOWER HSG.	1.000 EA
410978019A	SCREEN, INLET FLANGE	1.000 EA
415000103E	T/LUG #4AWG-1/0AWG W/HOLE FOR .375 BOLT	1.000 EA
417733004D	GASKET CONDUIT BOX	1.000 EA
417733004T	GASKET CONDUIT BOX	3.000 EA
418018074A	GROUND LABEL G100 METRIC 160 D.C.	1.000 EA
422919352	CVRKT BE RL250	1.000 EA
422919352	CVRKT BE RL250	1.000 EA
609843001AG	GASKET HANDHOLD COVER	1.000 EA
610409128A	ADAPTER, BLOWER	1.000 EA
610409130A	ADAPTER, C/BOX	1.000 EA
610490001AH	.75HP,3450//2850RPM,3PH,60//50HZ,56C,351	1.000 EA
611917002A	GASKT	1.000 EA
611965001A	WHEEL, BLOWER	1.000 EA
706305301A	GUARD, SHAFT	1.000 EA

706320016A	CONDUIT BOX	1.000 EA
708528004G	HOUSING, BLOWER	1.000 EA
000640000P	TAG WINDING THERMOST	1.000 EA
004824007K	SPECIAL PAINT	0.100 EA
034180024GA	KEY 1/2X1/2X3 L	1.000 EA
418018116	WARNING PLATE	1.000 EA

REL. S. O. - VOLTS 460 ENCLOSURE DPEV WYE CONN EQ CKT OHMS PER PHASE
 FRAME RL2586 AMPS 148 MAX SAFE RPM 5000 (AT BASE RATING, 25 °C)
 HP 125 DUTY CONT IM (AMPS) 40 R1 .0450 X1 .231
 BASE SPEED 1750 S.F. 1.0 P.F. @NL/FL .058/.883 R2 .0360 X2 .228
 PHASE/HERTZ 3/60 AMB °C/INSUL 40/H WK² (LB-FT²) 4.9 XM 6.60


RATED FULL LOAD DATA

	RPM	HP	TORQUE LB-FT	FUND VOLTS	FREQ-HZ	AMPS
BASE SPEED	1750	125	375	460	60	147
MAX SPEED	2329	125	282	460	80	147
MIN SPEED	0	0	375	20.2	1.68	147

LOAD PERFORMANCE AT BASE SPEED

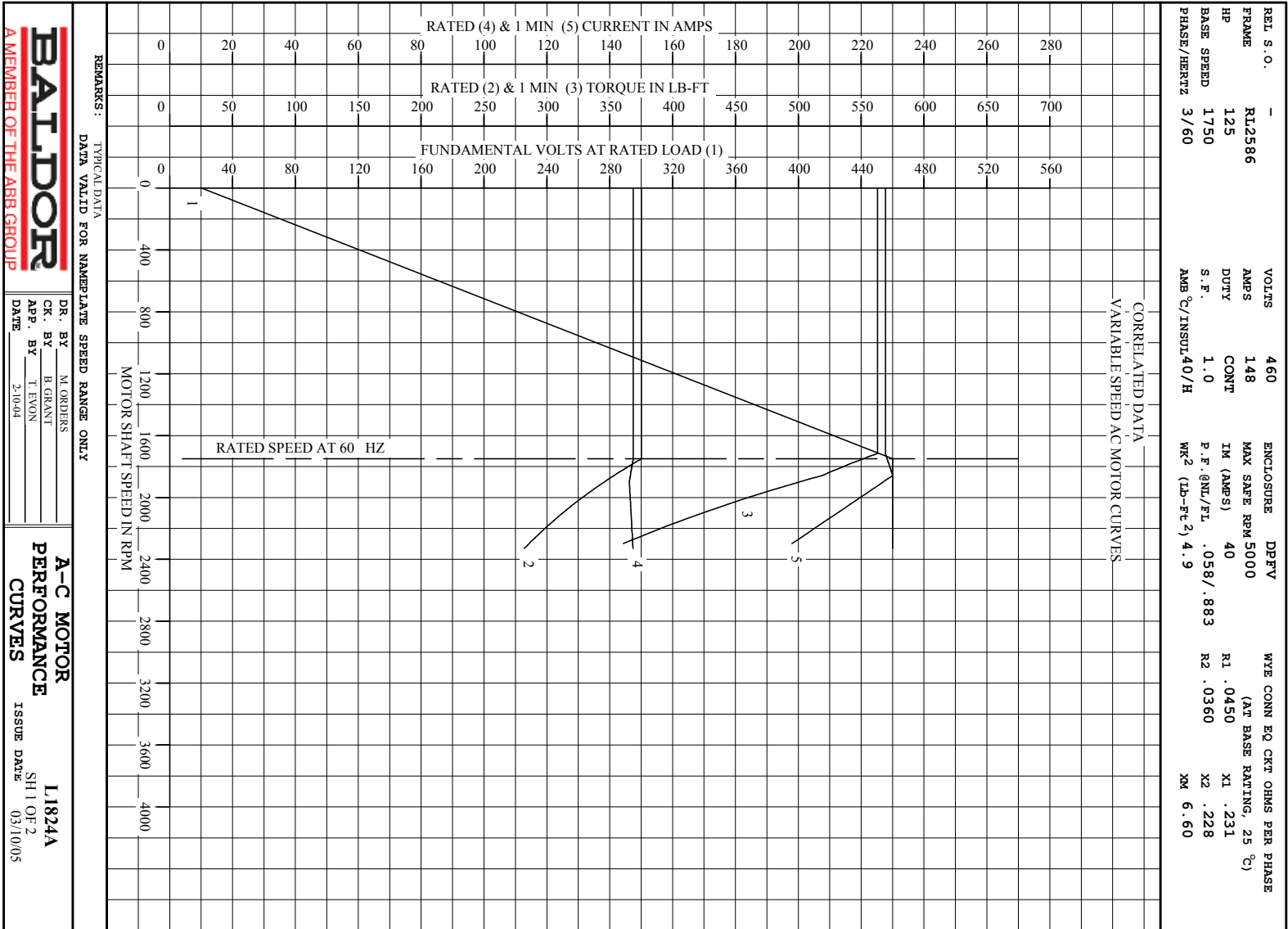
	RPM	HP	TORQUE LB-FT	FUND VOLTS	FREQ-HZ	AMPS
NO LOAD	1800	0	0	460	60	40.5
1/4	1789	31.3	92	460	60	54.2
1/2	1777	62.6	185	460	60	80.1
3/4	1764	93.7	279	460	60	112
FULL LOAD	1750	125	375	460	60	147
O/L	1715	184	563	460	60	228

REMARKS: TYPICAL DATA
 CORRELATED DATA

 <p>A MEMBER OF THE ABB GROUP</p>	DR. BY _____ M. ORDERS	<p>A-C MOTOR PERFORMANCE L1824A DATA</p> <p>ISSUE DATE 03/10/05</p>
	CK. BY _____ B. GRANT APP. BY _____ T. EVON DATE 2-10-04	

C/R 393520

Printed on 1/16/12 10:17 @ r99



REMARKS: TYPICAL DATA
DATA VALID FOR NAMEPLATE SPEED RANGE ONLY

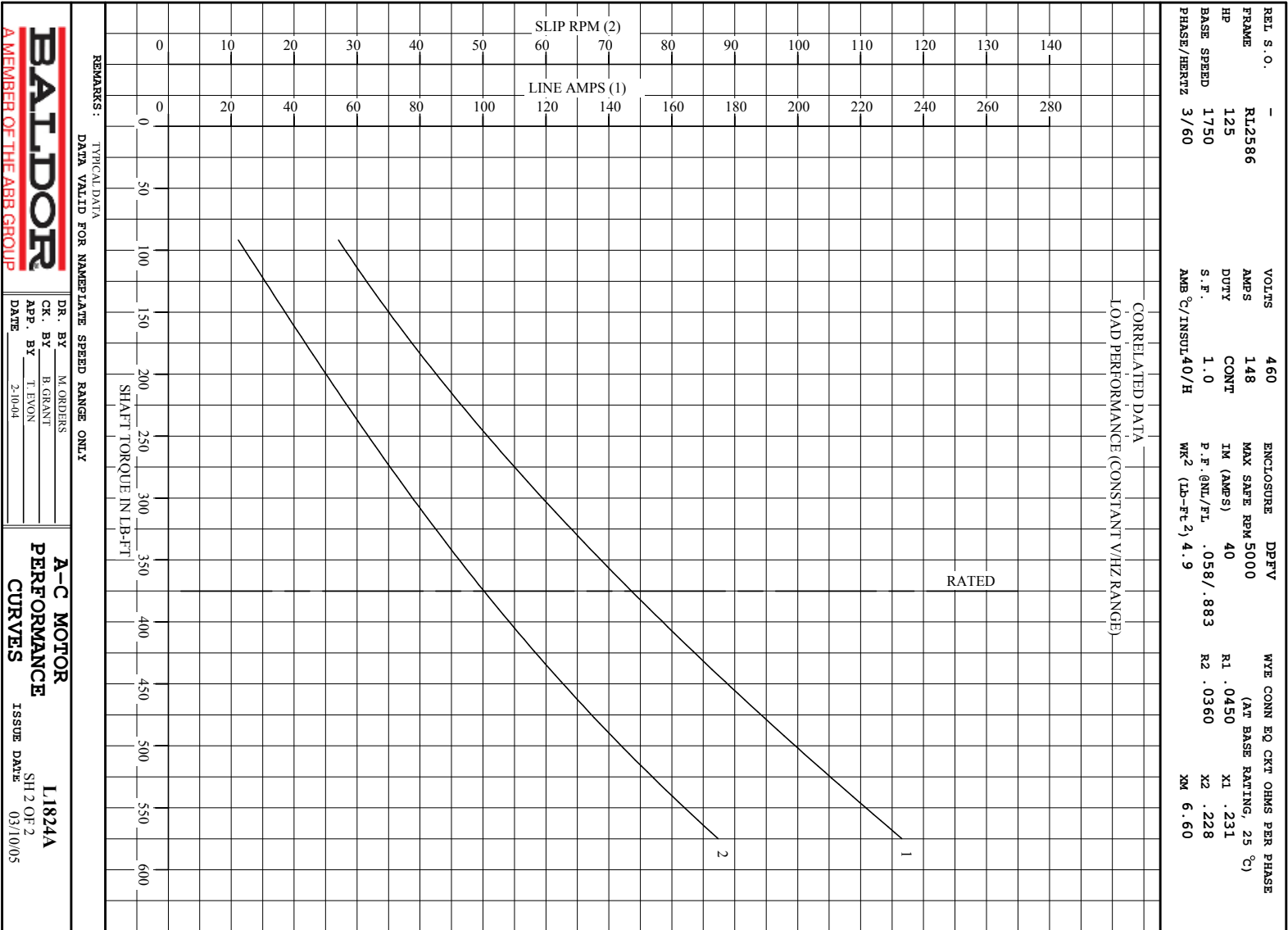
DR. BY M. GRADERS	A-C MOTOR
CK. BY B. GRANT	PERFORMANCE
APP. BY T. EVON	CURVES
DATE 2-10-04	ISSUE DATE 03/10/05

L1824A

SH 1 OF 2

C/R 393520

1

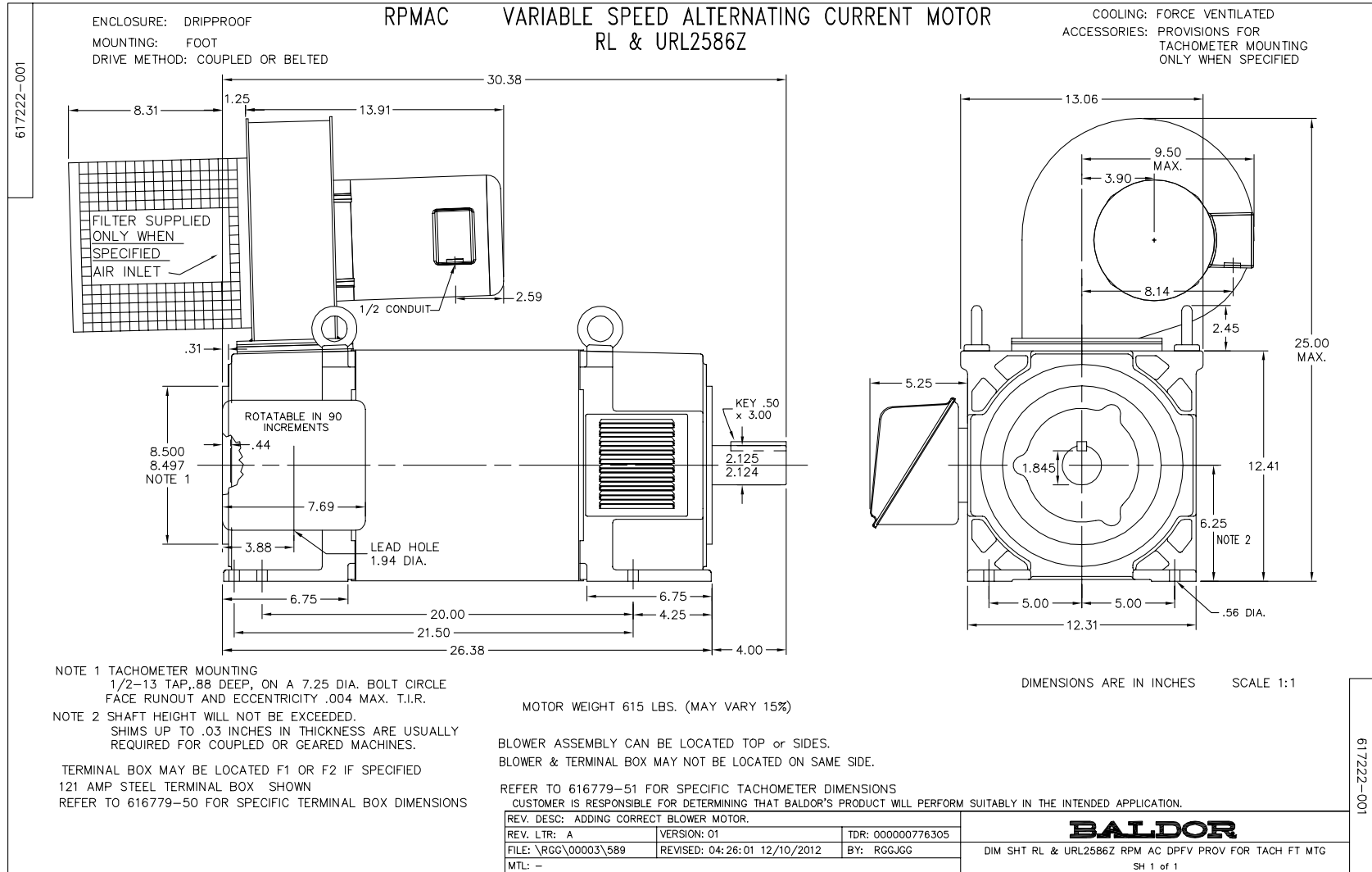


BALDOR
A MEMBER OF THE ABB GROUP

DR. BY M. GRADERS
CK. BY B. GRANT
APP. BY T. EVON
DATE 2-10-04

A-C MOTOR PERFORMANCE CURVES
L1824A
SH 2 OF 2
ISSUE DATE 03/10/05

C/R 393520



617222-001

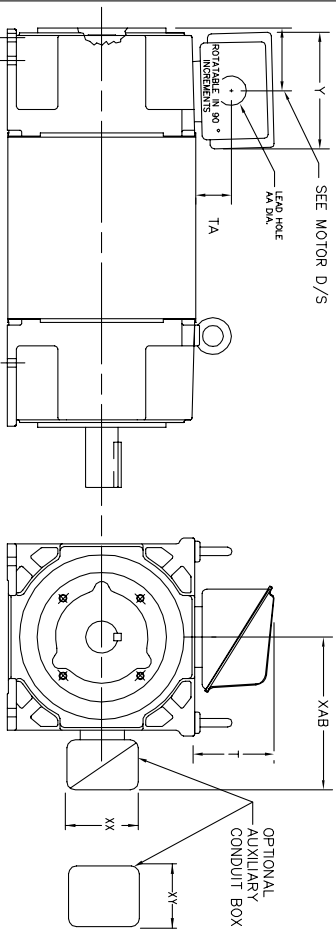
617222-001

618779-050

INDUSTRIAL ALTERNATING CURRENT MOTORS

RPM AC

STEEL, CAST IRON, MILL AND TERMINAL BOARD CONDUIT BOX DIMENSIONS
 NEMA FRAMES RL210 thru RL280 and IEC FRAMES RDL132 thru RDL180
 NEMA FRAMES FL180 thru FL280 and IEC FRAMES FDL112 thru FDL180



TERMINAL BOX	Y	TA	T	AA	MAX AMP	REMARKS
706310-63B	14.39	7.43	12.15	--	400	TERMINAL STRIP
706310-226R	9.00	3.06	5.40	Pg36 & Pq16	160	TERMINAL STRIP
706310-225R	7.25	2.30	4.40	Pg29 & Pq16	100	TERMINAL STRIP
706310-56B	9.00	3.06	5.40	Pg36 & Pq16	160	TERMINAL STRIP
706310-56A	7.75	2.30	4.40	Pg29 & Pq16	100	TERMINAL STRIP
706320-14D	15.00	7.56	12.81	5	510	CAST IRON
706320-13A	10.50	4.88	9.00	4.0 TAP	210	CAST IRON
706320-12B	9.25	4.81	8.56	3	140	CAST IRON
75460-62B	7.25	2.50	5.25	1.5 TAP	110	CAST IRON
706320-4C	5.75	2.38	4.38	1.0 TAP	60	CAST IRON FL180 ONLY
706310-3E	16.00	4.40	7.81	3	590	MILL
706310-3X	8.00	2.38	5.00	--	160	MILL
702658-1G	14.62	7.56	12.70	5	500	STEEL
706320-16A	9.00	4.12	8.44	4.59	305	STEEL
706320-9A	7.25	3.50	7.06	2.50	160	STEEL
75454-1AJ	7.69	2.38	5.25	1.94	121	STEEL
75452-B	6.34	2.00	4.12	1.75	61	STEEL
75452-G	6.34	2.00	4.12	--	61	SPECIAL
706320-5A	6.12	2.38	4.38	1.75/2.00	75	STEEL FL180 ONLY
706320-3A	5.00	1.62	3.00	1.12	40	STEEL FL180 ONLY
706320-7A	7.62	2.00	7.00	2.5/3.0	208	STEEL FL180 ONLY

FRAME SIZE	XAB	OPTIMAL AUXILIARY CONDUIT BOX DIMENSIONS (MAXIMUM)				PART NUMBER			
		XX	XY	XZ	XY				
FL210/FL132/RL210/RL132	7.38	4.25	4.25	6.0200-7-26-A	FL210/FL132/RL210/RL132	10.88	8.00	8.00	706310-3-B
FL230/FL150/RL230/RL150	8.44	4.23	4.23	6.0200-7-26-A	FL230/FL150/RL230/RL150	11.88	8.00	8.00	706310-3-B
FL280/FL180/RL280/RL180	9.12	4.23	4.23	6.0200-7-26-A	FL280/FL180/RL280/RL180	12.62	8.00	8.00	706310-3-B

- (1) 'AA' CONDUIT
- (2) 'AA' PIPE TAP
- (3) CUSTOMER TO PROVIDE HOLE FOR CONDUIT.
- (4) Z DIA. 'SA' OR 'I' TAP DIA. '4C'

TERMINAL BOX CAN BE ROTATED FOR LEAD OUTLET AT TOP, SIDES OR BOTTOM.
 TERMINAL BOX LOCATED ON OPPOSITE SIDE WHEN F-2, W-1, W-4, W-5, W-7,
 OR C-1 MOUNTING IS SPECIFIED. BOX LOCATED ON TOP WHEN SPECIFIED.

050-6071919

CUSTOMER IS RESPONSIBLE FOR DETERMINING THAT BALDOR'S PRODUCT WILL PERFORM SUITABLY IN THE INTENDED APPLICATION.

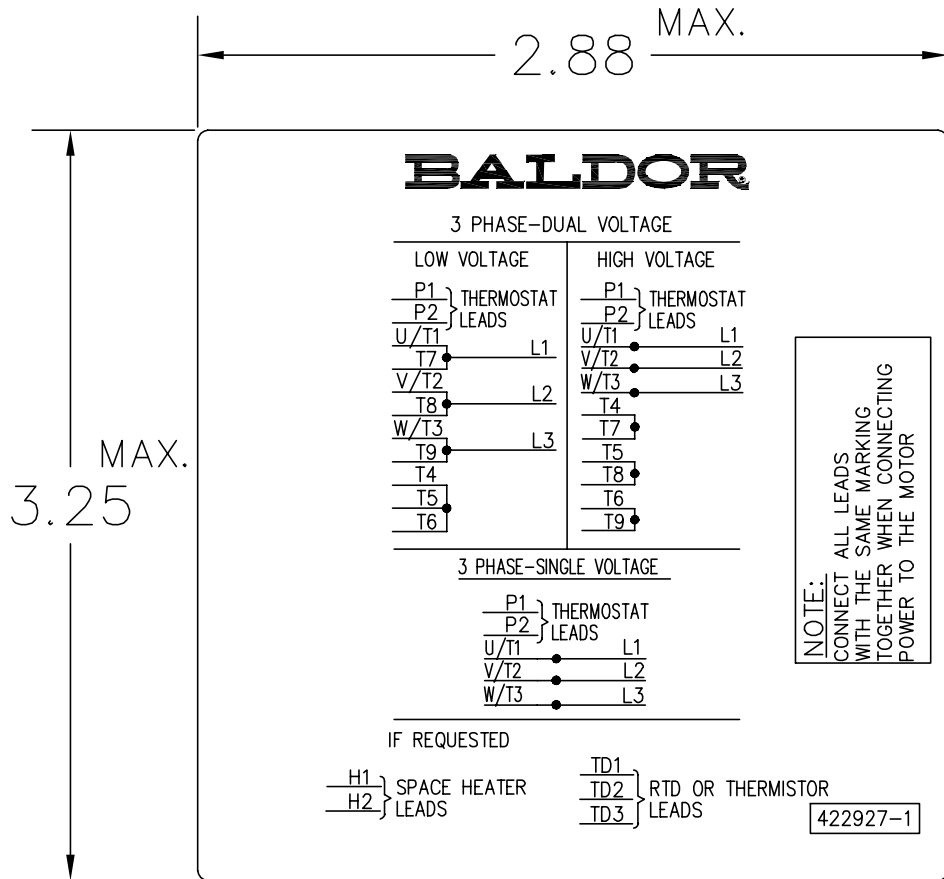
REV. DESC: BOX # 706320-9A, CHANGE AA DIM FROM 2 TO 2.50	TDR: 000000785386
REV. LTR: C	VERSION: 03
FILE: \RGG\00003\692	REVISED: 08:40:55 02/11/2013
MTL: -	BY: RGGWT

BALDOR

DIM SHT NEMA RL210-RL280 FL180-FL280 IEC RDL132-RDL180

SH 1 of 1

422927-001



NOTE:
DATA TO BE SIZED
SO THAT IT FITS INTO
MATERIAL DECAL
DIMENSIONS. MAKE
LETTERS & NUMBERS
AS LARGE AS POSSIBLE.

MATERIAL: CERAMATIC DGF-P4
PERMA GRIP ADHESIVE

ALL LETTERS, NUMBERS
AND LINES TO BE BLACK
ON WHITE BACKGROUND.

422927-001

REV. DESC: CHANGE BACKGROUND COLOR FROM GOLD TO WHITE		
REV. LTR: B	VERSION: 02	TDR: 000000788708
FILE: \RGG\00000\203	REVISED: 08:09:29 03/04/2013	
MTL: -	BY: RGGWT	

BALDOR

EXTERNAL CONNECTION LABEL

SH 1 of 1

Marketing maintained PDF of MN406:

<http://www.baldor.com/support/Literature/Load.ashx/MN406?ManNumber=MN406>