

# **BALDOR**® • **RELIANCE**

## **Product Information Packet**

# **JML3608T**

**5HP,3450RPM,1PH,60HZ,184JM,3640LC,TEFC**

Part Detail							
Revision:	AE	Status:	PRD/A	Change #:		Proprietary:	No
Type:	AC	Prod. Type:	3640LC	Elec. Spec:	36WGW914	CD Diagram:	CD0017A02
Enclosure:	TEFC	Mfg Plant:		Mech. Spec:	36E510	Layout:	36LYE510
Frame:	184JM	Mounting:	F1	Poles:	02	Created Date:	
Base:	RG	Rotation:	R	Insulation:	F	Eff. Date:	07-06-2016
Leads:	2#14 A PH,2#16 B PH					Replaced By:	
Literature:		Elec. Diagram:					

Nameplate NP1256L										
CAT.NO.	JML3608T									
SPEC.	36E510W914									
HP	5									
VOLTS	230									
AMP	19.5									
RPM	3450									
FRAME	184JM				HZ	60			PH	1
SER.F.	1.00		CODE	G	DES	L		CLASS	F	
NEMA-NOM-EFF	83		PF	99						
RATING	40C AMB-CONT									
CC								USABLE AT 208V	22	
DE	6207			ODE	6205					
ENCL	TEFC		SN							

Parts List		
Part Number	Description	Quantity
SA034656	SA 36E510W914	1.000 EA
RA030684	RA 36E510W914	1.000 EA
36CB3004	36 CB CASTING W/1.09 DIA LEAD HOLE @ 6:0	1.000 EA
36GS1000	GASKET-CONDUIT BOX, .06 THICK #SV-330 LE	1.000 EA
51XB1016A08	10-16X 1/2HXWSSLD SERTYB	2.000 EA
11XW1032G06	10-32 X .38, TAPTITE II, HEX WSHR SLTD U	1.000 EA
HW3001B01	BRASS CUP WASHER, FOR #8 SCREW	1.000 EA
36FE3104A01	FREP MACH ASSEMBLY FOR ROUTING	1.000 EA
HW4500A01	1641B(ALEMITE)400 UNIV, GREASE FITT	1.000 EA
13XF0832A08	8-32 X.50 PAN HD,SLTD, TYPE F SCREW, ZIN	2.000 EA
36GS3000	GASKET, CAPACITOR COVER LEXIDE	1.000 EA
10XN2520A12	O1/4-20X 3/4 HEX HEAD CAP	2.000 EA
HW5100A05	WVY WSHR F/205 & 304 BRGS	1.000 EA
36EP3405T01	PUEP ENCL 207 BRG T'SLV,GRSR,DRAIN	1.000 EA
HW4500A01	1641B(ALEMITE)400 UNIV, GREASE FITT	1.000 EA
HW1001A25	LOCKWASHER 1/4, ZINC PLT .493 OD, .255 I	4.000 EA
10XN2520A24	1/4-20X 1 1/2 HEX HD X	4.000 EA
51XB1214A16	12-14X1.00 HXWSSLD SERTYB	1.000 EA
36FH4009A102	IEC FH GREASER PRIMED	1.000 EA
51XW1032A06	10-32 X .38, TAPTITE II, HEX WSHR SLTD S	3.000 EA
36CB4516	36 LIPPED CB LID	1.000 EA
37GS1001	GASKET, CONDUIT BOX LID, .06 THICK LEXID	1.000 EA
51XW0832A07	8-32 X .44, TAPTITE II, HEX WSHR SLTD SE	4.000 EA
HA1005A07	SLINGER, OD 2.25, ID 1.344, 307 BRG	1.000 EA

Parts List (continued)		
Part Number	Description	Quantity
HW2501D13	KEY, 3/16 SQ X 1.375	1.000 EA
HA7000A01	KEY RETAINER 7/8" DIA SHAFT	1.000 EA
85XU0407S04	4X1/4 U DRIVE PIN STAINLESS	2.000 EA
36CB5005A11	CAPACITOR BOX KIT,36CB3800,EC1161C06	1.000 EA
MJ1000A02	GREASE, POLYREX EM EXXON (USe 4824-15A)	0.050 LB
MG1000G27	MED CHARCOAL METALLIC GREY 400-0096	0.022 GA
SP5172A05	37 TYPE LC TORQ STAT SW LEAD ASSEMBLY	1.000 EA
WD1000A15	3-520132-2 AMP FLAG (4M/RL NON-CANC/NON-	6.000 EA
35FN3002A04SP	EXFN, PLASTIC, 6.376 OD, .906 ID W/KEY	1.000 EA
HA3101A28	THRUBOLT 1/4-20 X 12.500 OHIO ROD	4.000 EA
LB1119N	WARNING LABEL	1.000 EA
LC0017	CONN LABEL-1 PHASE-SINGLE VOLT-REV ROTNO	1.000 EA
NP1256L	ALUM UL CSA CC	1.000 EA
G0PA1000	PKG GRP, PRINT PK1026A06	1.000 EA
MN416A01	TAG-INSTAL-MAINT no wire (1200/bx) 11/14	1.000 EA

**AC Induction Motor Performance Data**

Record # 10881 - Typical performance - not guaranteed values

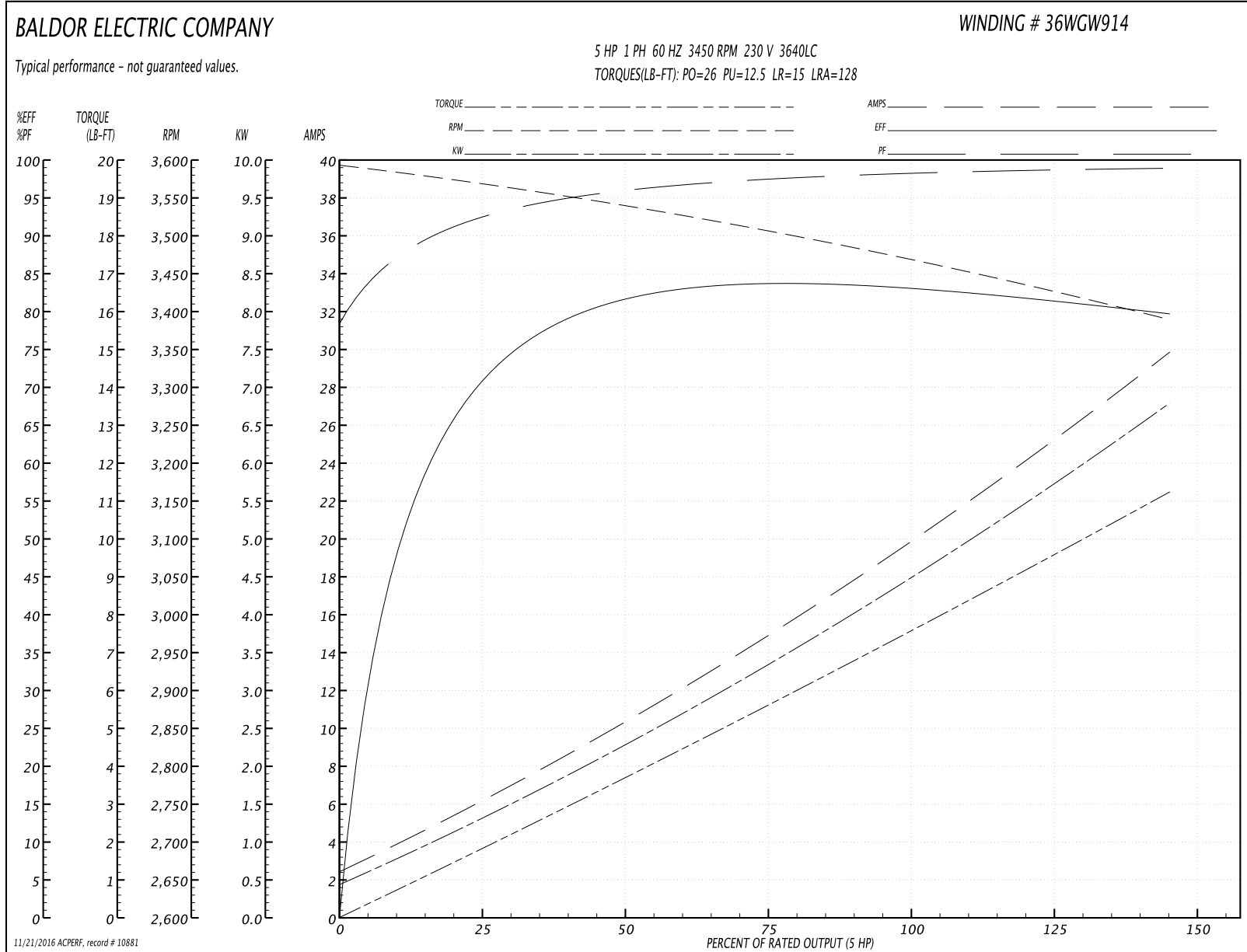
<b>Winding:</b> 36WGW914-R001	<b>Type:</b> 3640LC	<b>Enclosure:</b> TEFC
-------------------------------	---------------------	------------------------

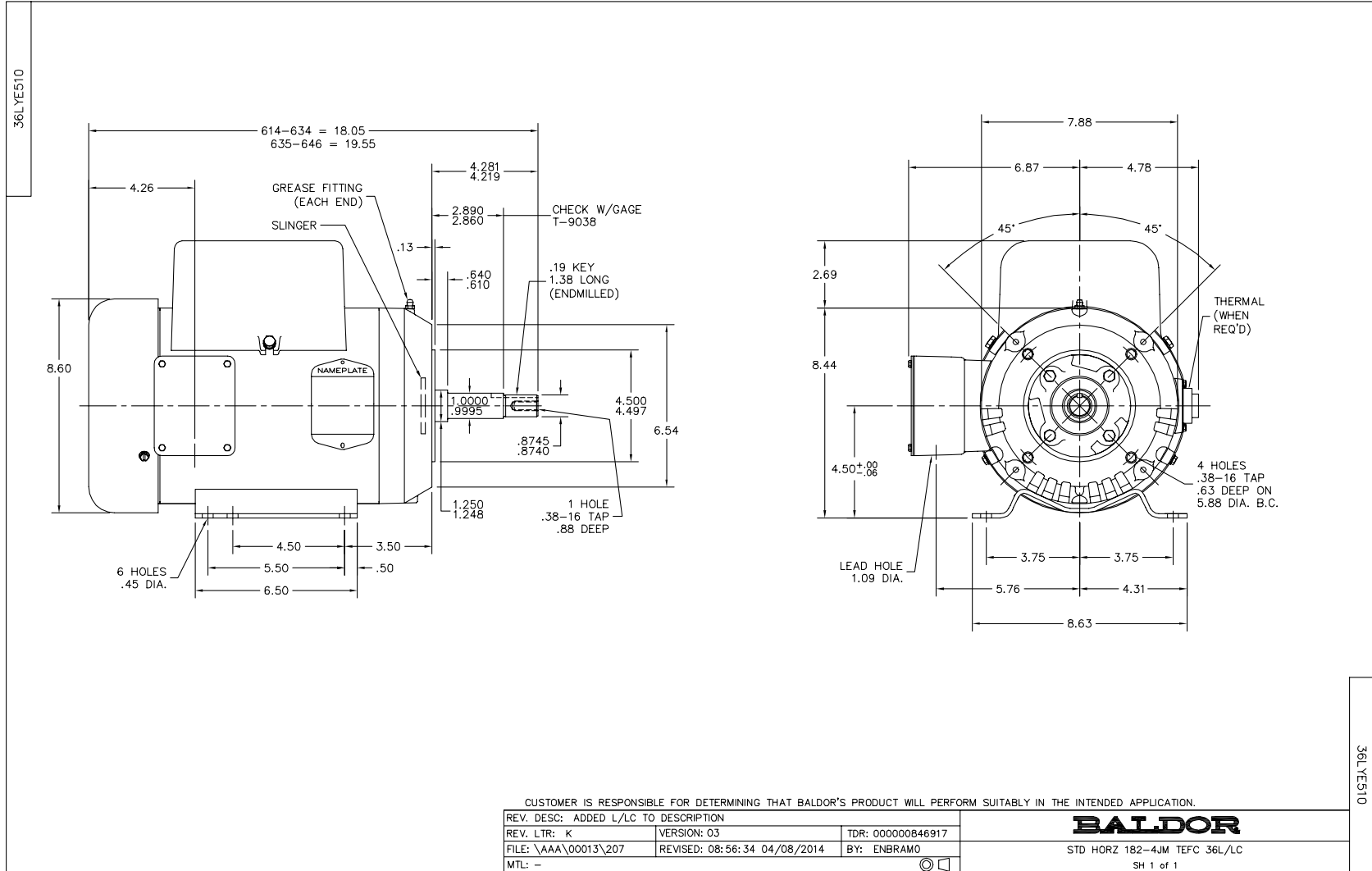
Nameplate Data				230 V, 60 Hz: Single Voltage Motor	
Rated Output (HP)	5			Full Load Torque	7.5 LB-FT
Volts	230			Start Configuration	direct on line
Full Load Amps	19.5			Breakdown Torque	26 LB-FT
R.P.M.	3450			Pull-up Torque	12.5 LB-FT
Hz	60	Phase	1	Locked-rotor Torque	15 LB-FT
NEMA Design Code	L	KVA Code	G	Starting Current	128 A
Service Factor (S.F.)	1			No-load Current	2.3 A
NEMA Nom. Eff.	83	Power Factor	99	Line-line Res. @ 25°C	0.38 Ω A Ph 1.02 Ω B Ph
Rating - Duty	40C AMB-CONT			Temp. Rise @ Rated Load	93°C

Load Characteristics 230 V, 60 Hz, 5 HP

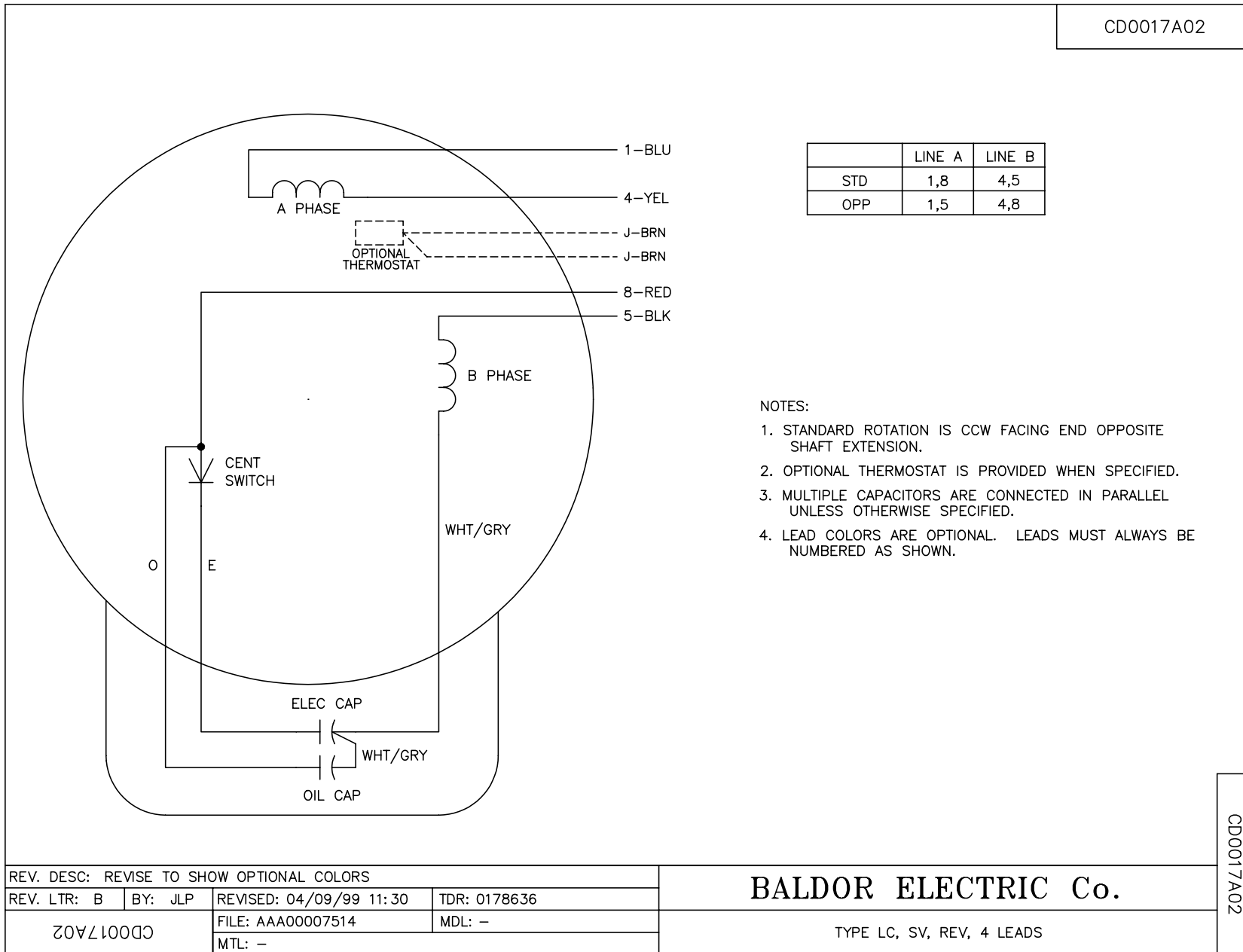
% of Rated Load	25	50	75	100	125	150
Power Factor	98	98	98	98	97	97
Efficiency	66.4	81.5	83.9	83.9	82.1	79.2
Speed	3565	3539	3507	3472	3430	3389
Line amperes	6.5	10.4	14.9	19.6	24.7	29.9

Performance Graph at 230V, 60Hz, 5.0HP Typical performance - Not guaranteed values





CD0017A02



CD0017A02

REV. DESC: REVISE TO SHOW OPTIONAL COLORS			
REV. LTR: B	BY: JLP	REVISED: 04/09/99 11:30	TDR: 0178636
20VZ1000		FILE: AAA00007514	MDL: -
		MTL: -	

**BALDOR ELECTRIC Co.**

TYPE LC, SV, REV, 4 LEADS