

# **BALDOR**® • *RELIANCE*

## **Product Information Packet**

# **L1317-50**

**2HP,2850RPM,1PH,50HZ,56,3532L,OPEN,F1**

Part Detail							
Revision:	Q	Status:	PRD/A	Change #:		Proprietary:	No
Type:	AC	Prod. Type:	3532L	Elec. Spec:	35WGY999	CD Diagram:	CD0001
Enclosure:	OPEN	Mfg Plant:		Mech. Spec:	35T947	Layout:	35LYT947
Frame:	56	Mounting:	F1	Poles:	02	Created Date:	06-22-2007
Base:	RG	Rotation:	R	Insulation:	B	Eff. Date:	08-26-2015
Leads:	4#14 A PH,2#18 B PH					Replaced By:	
Literature:		Elec. Diagram:					

Nameplate NP1372L										
CAT.NO.	L1317-50									
SPEC.	35T947Y999G1									
HP	2									
VOLTS	110/220									
AMP	24/12									
RPM	2850									
FRAME	56				HZ	50			PH	1
SER.F.	1.15		CODE	F	DES	L		CL	B	
NEMA-NOM-EFF	70		PF	84						
RATING	40C AMB-CONT									
CC									USABLE AT 208V	
DE	6205				ODE	6203				
ENCL	OPEN		SN							
	IP23									

Parts List		
Part Number	Description	Quantity
SA109233	SA 35T947Y999G1	1.000 EA
RA100728	RA 35T947Y999G1	1.000 EA
EC1645A06SP	ELEC CAP, 645-774 MFD, 125V, 2.06D X 4.	1.000 EA
NS2512A01	INSULATOR, CONDUIT BOX X	1.000 EA
35CB3007	35 CB CASTING W/.88 DIA. LEAD HOLE	1.000 EA
51XB1016A07	10-16 X 7/16 HXWSSLD SERTYB	2.000 EA
11XW1032G06	10-32 X .38, TAPTITE II, HEX WSHR SLTD U	1.000 EA
35EP3201A03	STD FR EP OPEN-203BRG-35L OR M FRAME--LE	1.000 EA
51XW0832A07	8-32 X .44, TAPTITE II, HEX WSHR SLTD SE	2.000 EA
NS2501A01	INSULATOR, CAPACITOR	1.000 EA
51XB1016A05	10-16X5/16HX WA SL SR TYB (F/S)	2.000 EA
HW5100A03SP	WAVY WASHER (W1543-017)	1.000 EA
35EP3200A02	PUEP OPEN 205 BRG	1.000 EA
XY1032A02	10-32 HEX NUT DIRECTIONAL SERRATION	4.000 EA
35CB4521	35 LIPPED CB LID (GALV & PHOSPH)	1.000 EA
51XW0832A07	8-32 X .44, TAPTITE II, HEX WSHR SLTD SE	4.000 EA
HW2501D13	KEY, 3/16 SQ X 1.375	1.000 EA
HA7000A04	KEY RETAINER 0.625 DIA SHAFTS	1.000 EA
85XU0407S04	4X1/4 U DRIVE PIN STAINLESS	2.000 EA
SP1006A01	TERM. BOARD, MODE 35 SW X H-23655	1.000 EA
WD1000A15	3-520132-2 AMP FLAG (4M/RL NON-CANC/NON-	2.000 EA
MJ1000A02	GREASE, POLYREX EM EXXON (USe 4824-15A)	0.050 LB
MG1000G27	MED CHARCOAL METALLIC GREY 400-0096	0.017 GA
SP5055A67	MODEL 35 TYPE L STATIONARY SWITCH	1.000 EA

<b>Parts List (continued)</b>		
<b>Part Number</b>	<b>Description</b>	<b>Quantity</b>
35CB4802A02SP	CAPACITOR COVER, STAMPED X	1.000 EA
HA3100A22	THRUBOLT 10-32 X 10.125	4.000 EA
MN416A01	TAG-INSTAL-MAINT no wire (1200/bx) 11/14	1.000 EA
LB1119N	WARNING LABEL	1.000 EA
LC0001	CONN LABEL TYPE L, 6 LEAD, DUAL VOLTS, R	1.000 EA
NP1372L	ALUM UL CSA CE CC	1.000 EA
35PA1066	PKG GRP, PRINT PK1008A06	1.000 EA

<b>Accessories</b>		
<b>Part Number</b>	<b>Description</b>	<b>Multiplier</b>
35-8764	C FACE KIT	A8
35EP1604A01SP	D-FLANGE KIT	A8

**AC Induction Motor Performance Data**

Record # 10396 - Typical performance - not guaranteed values

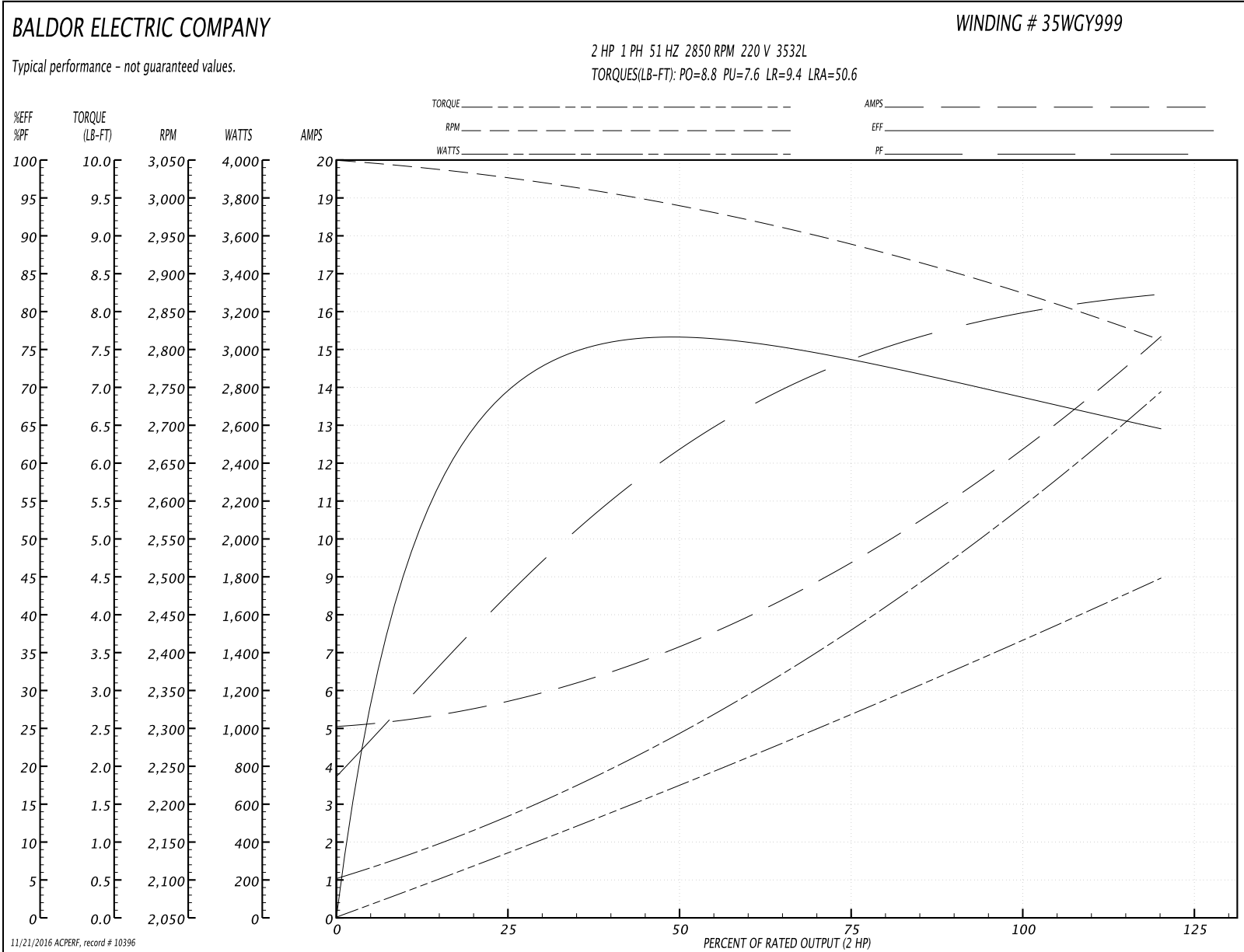
<b>Winding:</b> 35WGY999-R001	<b>Type:</b> 3532L	<b>Enclosure:</b> OPEN
-------------------------------	--------------------	------------------------

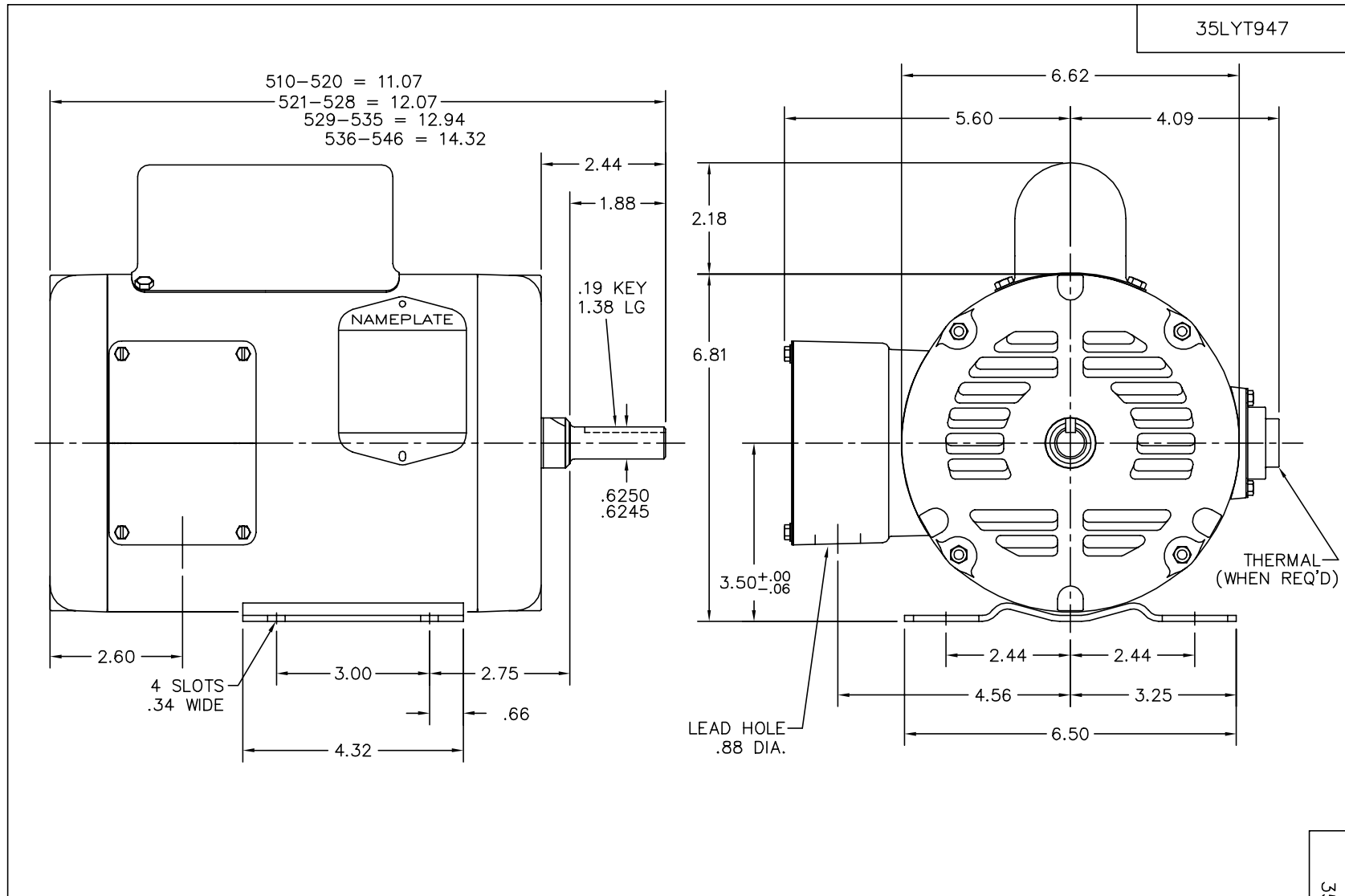
Nameplate Data				220 V, 51 Hz: High Voltage Connection	
Rated Output (HP)	2			Full Load Torque	3.6 LB-FT
Volts	110/220			Start Configuration	direct on line
Full Load Amps	24/12			Breakdown Torque	8.8 LB-FT
R.P.M.	2850			Pull-up Torque	7.6 LB-FT
Hz	50	Phase	1	Locked-rotor Torque	9.4 LB-FT
NEMA Design Code	L	KVA Code	F	Starting Current	50.6 A
Service Factor (S.F.)	1			No-load Current	4.95 A
NEMA Nom. Eff.	70	Power Factor	84	Line-line Res. @ 25°C	1.03 Ω A Ph 1.54 Ω B Ph
Rating - Duty	40C AMB-CONT			Temp. Rise @ Rated Load	79°C

Load Characteristics 220 V, 51 Hz, 2 HP

% of Rated Load	25	50	75	100	125
Power Factor	53	69	79	84	86
Efficiency	69	75	74	70	64
Speed	3021	2986	2935	2890	2805
Line amperes	5.9	7.3	9.4	12	15.5

Performance Graph at 220V, 51Hz, 2.0HP Typical performance - Not guaranteed values





CUSTOMER IS RESPONSIBLE FOR DETERMINING THAT MOTOR PERFORMANCE IS SUITABLE IN THE APPLICATION.

REV. DESC: NEW			
REV. LTR: -	BY: KCT	REVISED: 12:27:03 11/14/2003	TDR: 317575
35LYT947		FILE: AAA00111245	REF: 35LYT947
		MTL: -	

<b>BALDOR ELECTRIC Co.</b>
STD HORZ 56 OPEN MODEL 35L, 2 POLE "W" BASE (35BA4010)

35LYT947

CD0001



REV. DESC: REVISE TO SHOW OPTIONAL COLORS			
REV. LTR: D	BY: JLP	REVISED: 04/08/99 1:16	TDR: 0178636
100000		FILE: AAA00007405	MDL: -
		MTL: -	

**BALDOR ELECTRIC Co.**

TYPE L, DV, REV, 6 LEADS

CD0001