

BALDOR® • RELIANCE

Product Information Packet

L3504-50

.5HP, 1425RPM, 1PH, 50HZ, 56, 3428L, TEFC, F1

Part Detail							
Revision:	AC	Status:	PRD/A	Change #:		Proprietary:	No
Type:	AC	Prod. Type:	3428L	Elec. Spec:	34WGW233	CD Diagram:	CD0001
Enclosure:	TEFC	Mfg Plant:		Mech. Spec:	34C061	Layout:	34LYC061
Frame:	56	Mounting:	F1	Poles:	04	Created Date:	
Base:	RG	Rotation:	R	Insulation:	B	Eff. Date:	07-15-2015
Leads:	6#18					Replaced By:	
Literature:		Elec. Diagram:					

Nameplate NP1372L										
CAT.NO.	L3504-50									
SPEC.	34C61W233									
HP	.5									
VOLTS	110/220									
AMP	7.2/3.6									
RPM	1425 IP54									
FRAME	56				HZ	50			PH	1
SER.F.	1.25		CODE	J	DES	N		CL	B	
NEMA-NOM-EFF	62		PF	76						
RATING	40C AMB-CONT									
CC									USABLE AT 208V	
DE	6203				ODE	6203				
ENCL	TEFC		SN							
	SFA 8.4/4.2									

Parts List		
Part Number	Description	Quantity
SA008608	SA 34C61W233	1.000 EA
RA005055	RA 34C61W233	1.000 EA
NS2512A01	INSULATOR, CONDUIT BOX X	1.000 EA
34CB3002A	CB CAST W/.88 DIA HOLE	1.000 EA
34GS1029A01	GASKET, CONDUIT BOX	1.000 EA
51XB1016A07	10-16 X 7/16 HXWSSLD SERTYB	2.000 EA
11XW1032G06	10-32 X .38, TAPTITE II, HEX WSHR SLTD U	1.000 EA
51XW0832A07	8-32 X .44, TAPTITE II, HEX WSHR SLTD SE	2.000 EA
34EP3102A01SP	FR ENDPLATE, MACH	1.000 EA
NS2500A01	INSULATOR, AUTO THER PROT	1.000 EA
WD1000A03	41531 AMP FLG.TERM,4M/REEL(2.5MIL)	1.000 EA
34CB4800SP	CAPACITOR COVER, STAMPED PRIMED	1.000 EA
34GS3000SP	GASKET, CAPACITOR BOX	1.000 EA
51XB1016A05	10-16X5/16HX WA SL SR TYB (F/S)	2.000 EA
HW5100A03SP	WAVY WASHER (W1543-017)	1.000 EA
34EP3102A02SP	FR/PU ENDPLATE, MACH	1.000 EA
XY1032A02	10-32 HEX NUT DIRECTIONAL SERRATION	4.000 EA
34FN3002A01SP	EXTERNAL FAN, PLASTIC, .637/.639 HUB W/	1.000 EA
34FH4002A01SP	IEC FH NO GREASER PRIMED	1.000 EA
51XW1032A06	10-32 X .38, TAPTITE II, HEX WSHR SLTD S	3.000 EA
34CB4517	CB LID 4 MTG HOLES .22 DIA STAMPED, FOR	1.000 EA
34GS1031A01	GASKET, FLAT CONDUIT BOX LID (LEXIDE)	1.000 EA
51XW0832A07	8-32 X .44, TAPTITE II, HEX WSHR SLTD SE	4.000 EA
HW2501D13	KEY, 3/16 SQ X 1.375	1.000 EA

Parts List (continued)		
Part Number	Description	Quantity
HA7000A04	KEY RETAINER 0.625 DIA SHAFTS	1.000 EA
MG1000G27	MED CHARCOAL METALLIC GREY 400-0096	0.014 GA
10XF0440S02	04-40 X 1/8 TYPE F HEX HD STAINLESS STIC	2.000 EA
SP5051B16	MDL 34 TORQ STAT SW,TYPE L , STD F1 & F2	1.000 EA
EC1270A02SP	ELEC CAP, 270-324 MFD, 125V, 1.48D X 3.	1.000 EA
HA3100A45	THRUBOLT 10-32 X 8.875	4.000 EA
HA4067A01	PUSH IN DRAIN FITTING (BLACK)	2.000 EA
MN416A01	TAG-INSTAL-MAINT no wire (1200/bx) 11/14	1.000 EA
LC0001	CONN LABEL TYPE L, 6 LEAD, DUAL VOLTS, R	1.000 EA
LB1119N	WARNING LABEL	1.000 EA
NP1372L	ALUM UL CSA CE CC	1.000 EA
35PA1000	PKG GRP, PRINT PK1008A06	1.000 EA

Accessories		
Part Number	Description	Multiplier
34-171	C FACE KIT	A8

AC Induction Motor Performance Data
Record # 6926 - Typical performance - not guaranteed values

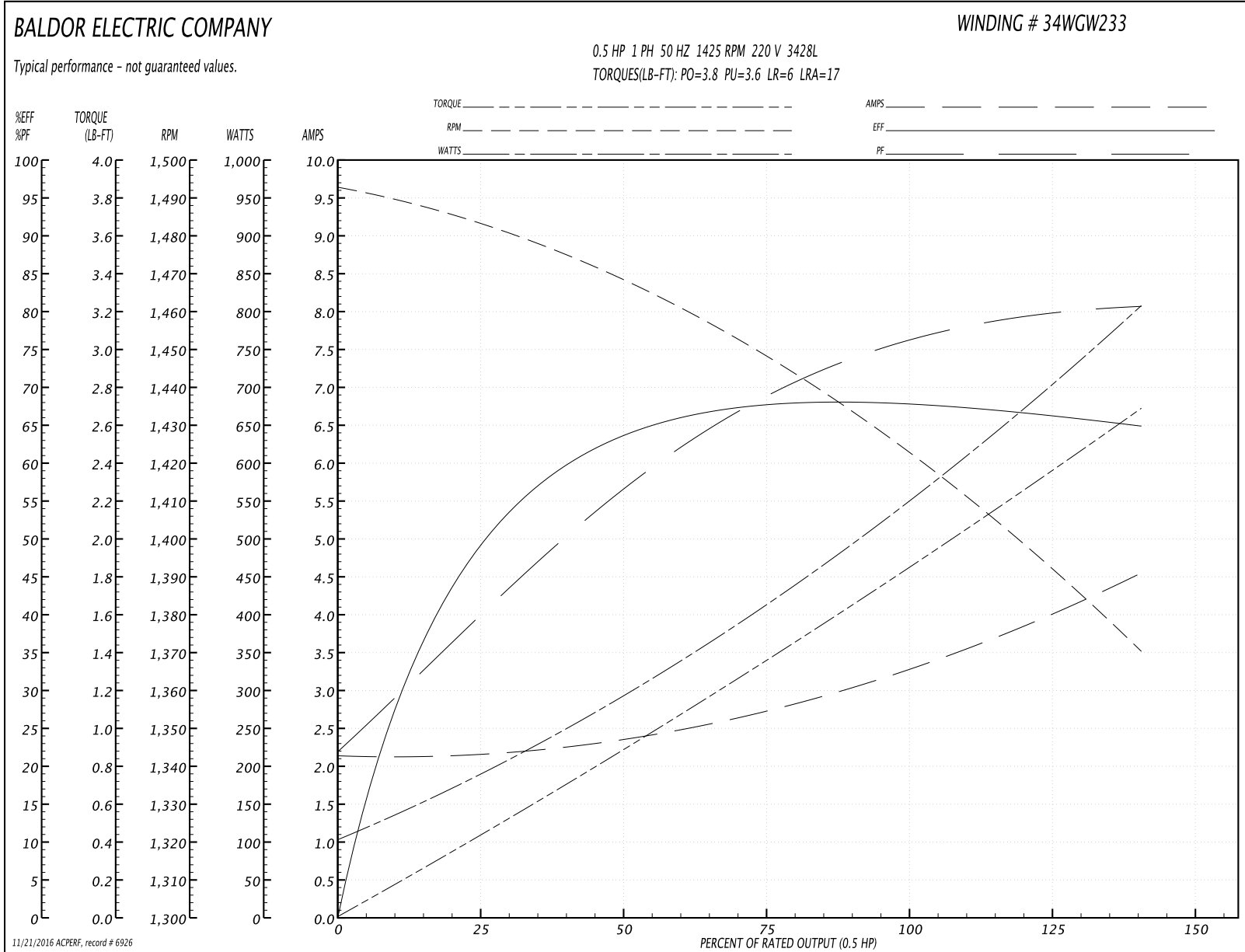
Winding: 34WGW233-R001	Type: 3428L	Enclosure: TEFC
-------------------------------	--------------------	------------------------

Nameplate Data				220 V, 50 Hz: High Voltage Connection	
Rated Output (HP)	.5			Full Load Torque	1.8 LB-FT
Volts	110/220			Start Configuration	direct on line
Full Load Amps	7.2/3.6			Breakdown Torque	3.8 LB-FT
R.P.M.	1425			Pull-up Torque	3.6 LB-FT
Hz	50	Phase	1	Locked-rotor Torque	6 LB-FT
NEMA Design Code	N	KVA Code	J	Starting Current	17 A
Service Factor (S.F.)	1.25			No-load Current	2.1 A
NEMA Nom. Eff.	62	Power Factor	76	Line-line Res. @ 25°C	5 Ω A Ph 4.03 Ω B Ph
Rating - Duty	40C AMB-CONT			Temp. Rise @ Rated Load	68°C
S.F. Amps	8.4/4.2			Temp. Rise @ S.F. Load	84°C

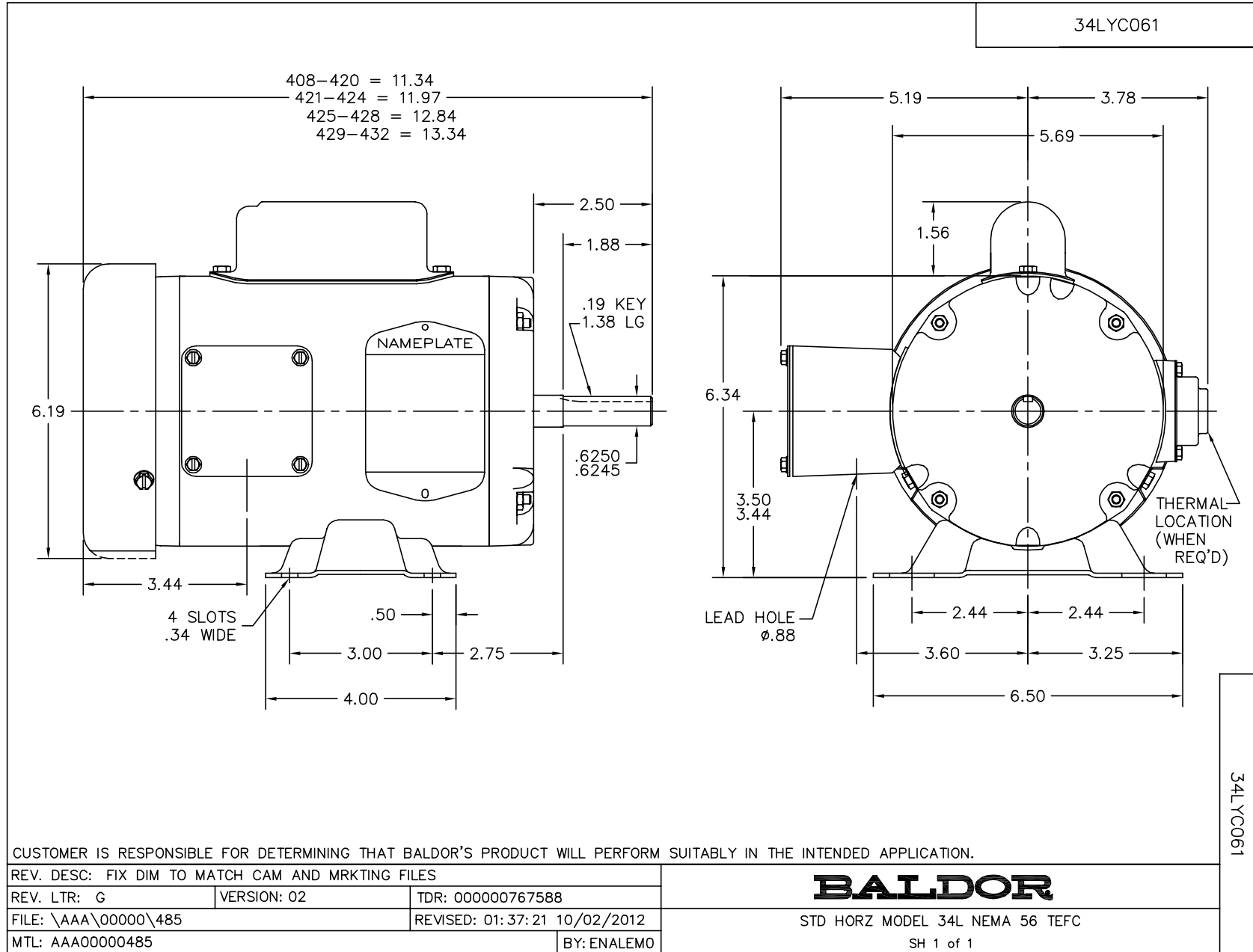
Load Characteristics 220 V, 50 Hz, 0.5 HP

% of Rated Load	25	50	75	100	125	150	S.F.
Power Factor	41	57	69	77	82	85	82
Efficiency	48	62.2	67.5	68.8	67.6	64.2	67.6
Speed	1481	1466	1448	1428	1402	1367	1402
Line amperes	2.2	2.4	2.7	3.2	3.8	4.6	3.8

Performance Graph at 220V, 50Hz, 0.5HP Typical performance - Not guaranteed values



11/21/2016 ACPERF: record # 6926



CD0001



REV. DESC: REVISE TO SHOW OPTIONAL COLORS			
REV. LTR: D	BY: JLP	REVISED: 04/08/99 1:16	TDR: 0178636
100000		FILE: AAA00007405	MDL: -
		MTL: -	

BALDOR ELECTRIC Co.

TYPE L, DV, REV, 6 LEADS

CD0001