

BALDOR® • RELIANCE

Product Information Packet

VEL11305

.5HP, 1140RPM, 1PH, 60HZ, 56C, 3526LC, ODTF, F1

Part Detail							
Revision:	C	Status:	PRD/A	Change #:		Proprietary:	No
Type:	AC	Prod. Type:	3526LC	Elec. Spec:	35WGN651	CD Diagram:	CD0055
Enclosure:	ODTF	Mfg Plant:		Mech. Spec:	35E019	Layout:	35LYE019
Frame:	56C	Mounting:	F1	Poles:	06	Created Date:	09-30-2014
Base:	N	Rotation:	R	Insulation:	B	Eff. Date:	09-10-2015
Leads:	6#18					Replaced By:	
Literature:		Elec. Diagram:					

Nameplate NP3155L										
CAT.NO.	VEL11305									
SPEC.	35E019N651G1									
HP	.5									
VOLTS	115/230									
AMP	4.4/2.2									
RPM	1140									
FRAME	56C				HZ	60			PH	1
SER.F.	1.25		CODE	J	DES	N		CL	B	
F.L. AVG. EFF.	76.2		PF	94						
RATING	40C AMB-CONT									
CC									USABLE AT 208V	
DE	6205				ODE	6203				
ENCL	ODTF		SN							
	SFA 5.6/2.8									

Parts List		
Part Number	Description	Quantity
SA287868	SA 35E019N651G1	1.000 EA
RA274071	RA 35E019N651G1	1.000 EA
OC3040F11	CYL OIL CAP 40MFD/370V,COMMONWEALTH SPRA	1.000 EA
EC1270A02SP	ELEC CAP, 270-324 MFD, 125V, 1.48D X 3.	1.000 EA
NS2512A01	INSULATOR, CONDUIT BOX X	1.000 EA
35CB3007	35 CB CASTING W/.88 DIA. LEAD HOLE	1.000 EA
51XB1016A07	10-16 X 7/16 HXWSSLD SERTYB	2.000 EA
11XW1032G06	10-32 X .38, TAPTITE II, HEX WSHR SLTD U	1.000 EA
35EP3201A04SP	SPL FR EP-OPEN-35L OR M -203 BRG-W/DRIP	1.000 EA
51XW0832A07	8-32 X .44, TAPTITE II, HEX WSHR SLTD SE	2.000 EA
35CB3801	CAPACITOR COVER, CAST	1.000 EA
HA7010	CAPACITOR RETENTION CLAMP	1.000 EA
NS2501A02	INSULATOR, CAPACITOR BOX	1.000 EA
51XB1016A08	10-16X 1/2HXWSSLD SERTYB	2.000 EA
HW5100A03SP	WAVY WASHER (W1543-017)	1.000 EA
35EP3400A13	STD FACE MTD END PLATE OPEN NEMA 56C 05	1.000 EA
35AD2000	AIR BAFFLE	1.000 EA
60XW0632A06	6-32 X 3/8 TORX HEAD SCREW TAPTITE II	4.000 EA
51XN1032A20	10-32 X 1 1/4 HX WS SL SR	2.000 EA
35FN3002A05	EXFN, PLASTIC, 6.376 OD, .638 ID	1.000 EA
51XB1214A16	12-14X1.00 HXWSSLD SERTYB	1.000 EA
35FH4006A01SP	DRIP COVER,STAMPED,W/ PRIMER	1.000 EA
51XW1032A06	10-32 X .38, TAPTITE II, HEX WSHR SLTD S	3.000 EA
35CB4521	35 LIPPED CB LID (GALV & PHOSPH)	1.000 EA

Parts List (continued)		
Part Number	Description	Quantity
51XW0832A07	8-32 X .44, TAPTITE II, HEX WSHR SLTD SE	4.000 EA
HW2501D13	KEY, 3/16 SQ X 1.375	1.000 EA
HA7000A04	KEY RETAINER 0.625 DIA SHAFTS	1.000 EA
85XU0407S04	4X1/4 U DRIVE PIN STAINLESS	2.000 EA
WD1000A15	3-520132-2 AMP FLAG (4M/RL NON-CANC/NON-	4.000 EA
MJ1000A02	GREASE, POLYREX EM EXXON (USe 4824-15A)	0.050 LB
MG1000Y03	MUNSELL 2.53Y 6.70/ 4.60, GLOSS 20,	0.017 GA
HA3100A15	THRUBOLT 10-32 X 8.375	4.000 EA
SP5181A01	MODEL 35 LC TORQ STAT SWITCH LEAD ASSY	1.000 EA
LC0001A01	CONN LABEL / WARNING LABEL (LC0001 / LB1	1.000 EA
NP3155L	ALUM SUPER-E UL CSA CC "SEMS"	1.000 EA
36PA1000	PKG GRP, PRINT PK1016A06	1.000 EA
PK3082	STYROFOAM CRADLE	1.000 EA
MN416A01	TAG-INSTAL-MAINT no wire (1200/bx) 11/14	1.000 EA

AC Induction Motor Performance Data

Record # 54862 - Typical performance - not guaranteed values

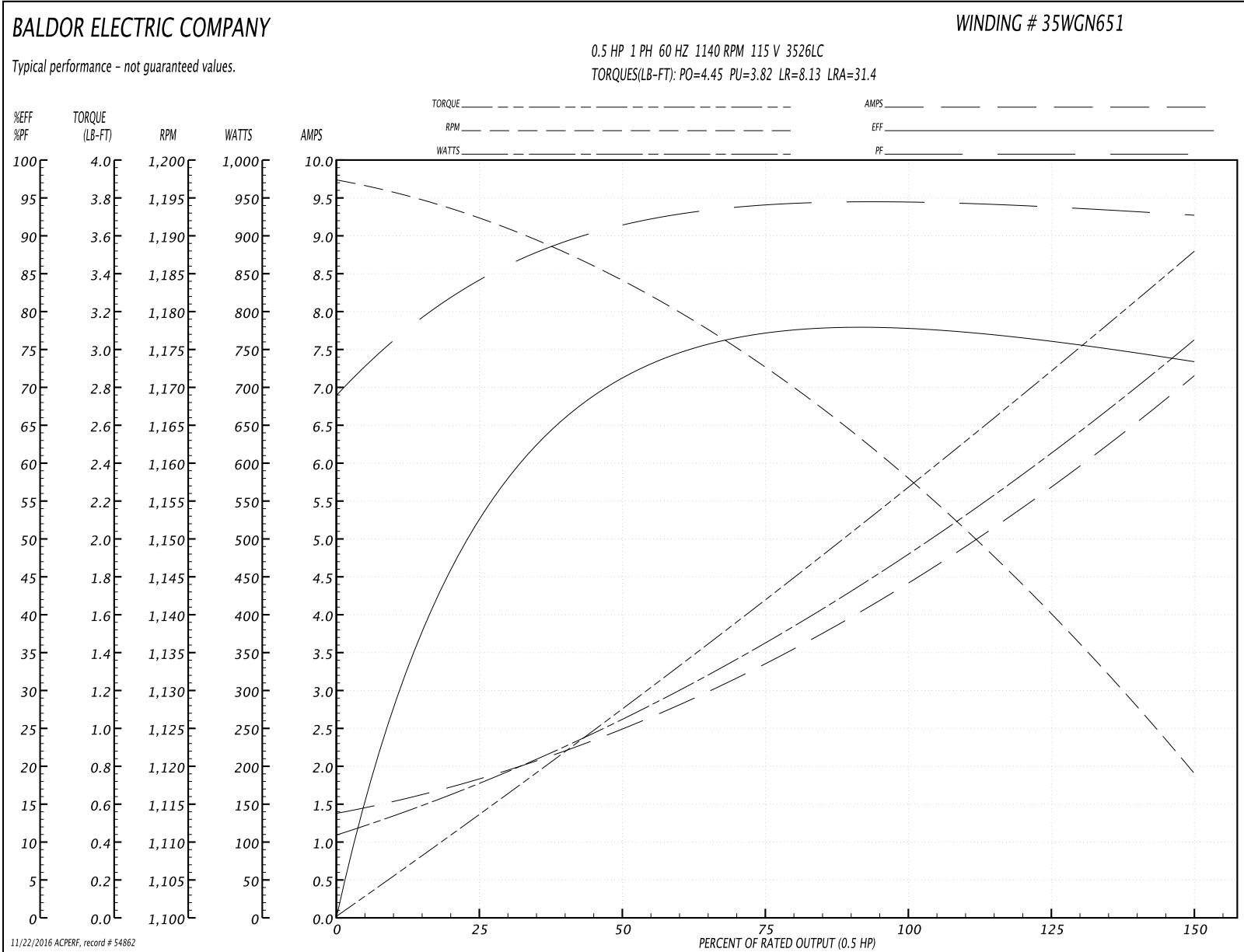
Winding: 35WGN651-R002	Type: 3526LC	Enclosure: ODTF
-------------------------------	---------------------	------------------------

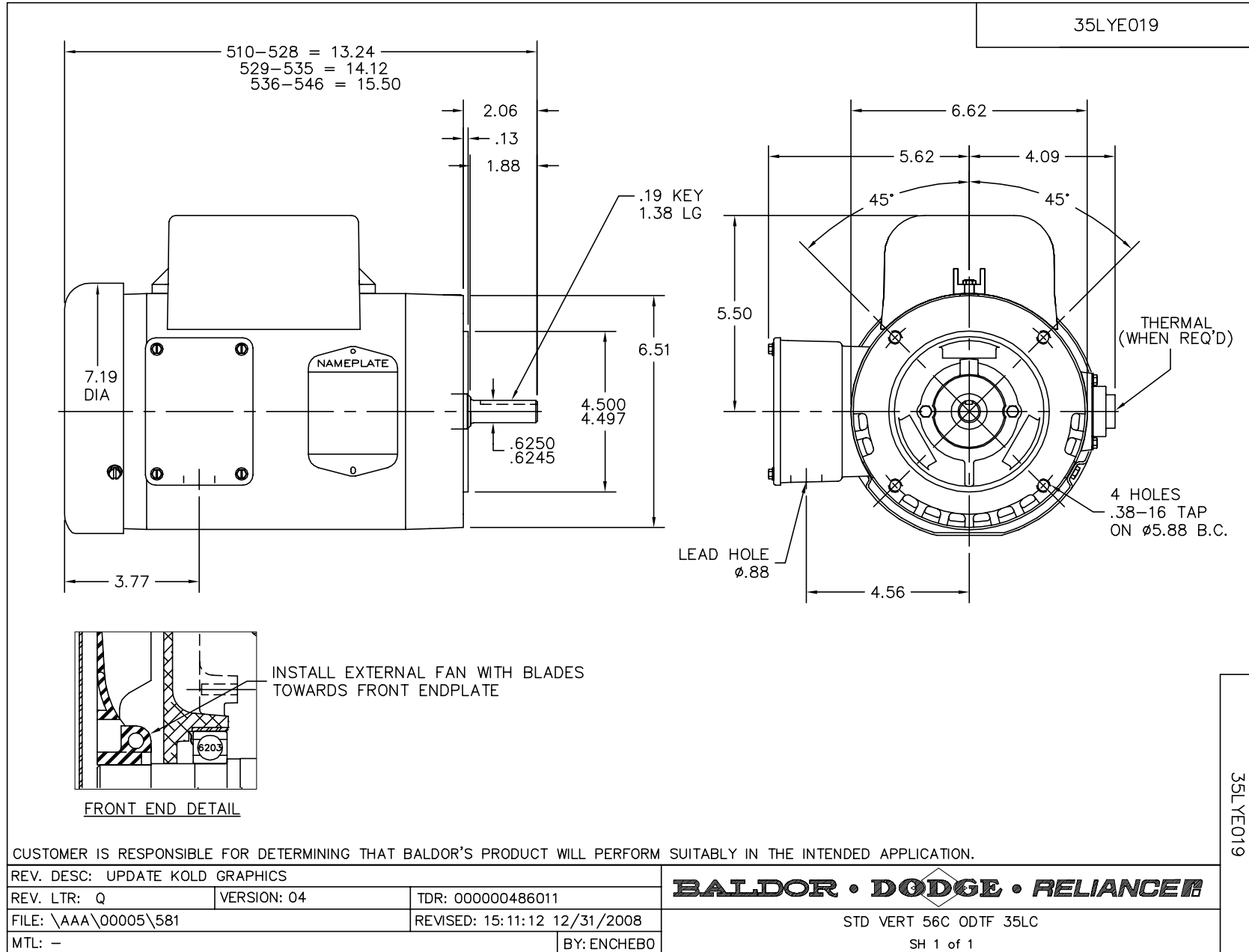
Nameplate Data				115 V, 60 Hz: Low Voltage Connection	
Rated Output (HP)	.5			Full Load Torque	2.27 LB-FT
Volts	115/230			Start Configuration	direct on line
Full Load Amps	4.4/2.2			Breakdown Torque	4.45 LB-FT
R.P.M.	1140			Pull-up Torque	3.82 LB-FT
Hz	60	Phase	1	Locked-rotor Torque	8.13 LB-FT
NEMA Design Code	N	KVA Code	J	Starting Current	31.4 A
Service Factor (S.F.)	1.25			No-load Current	1.33 A
NEMA Nom. Eff.	76.2	Power Factor	94	Line-line Res. @ 25°C	1.7802 Ω A Ph 2.4806 Ω B Ph
Rating - Duty	40C AMB-CONT			Temp. Rise @ Rated Load	26°C
S.F. Amps	5.6/2.8			Temp. Rise @ S.F. Load	35°C

Load Characteristics 115 V, 60 Hz, 0.5 HP

% of Rated Load	25	50	75	100	125	150	S.F.
Power Factor	84	91	94	94	94	93	94
Efficiency	51.5	69.7	76.2	78.7	77.3	72.7	77.3
Speed	1191.2	1182.4	1171.5	1159.4	1143.6	1116.5	1144
Line amperes	1.86	2.54	3.41	4.38	5.56	7.24	5.56

Performance Graph at 115V, 60Hz, 0.5HP Typical performance - Not guaranteed values





CD0055



REV. DESC: REVISE TO SHOW OPTIONAL COLORS			
REV. LTR: D	BY: JLP	REVISED: 04/08/99 1:17	TDR: 0178636
99000		FILE: AAA00007414	MDL: -
CD0055		MTL: -	

BALDOR ELECTRIC Co.

TYPE LC, DV, REV, 6 LEADS

CD0055