

BALDOR® • ***RELIANCE***

Product Information Packet

VEWDM3651T

3HP, 1760RPM, 3PH, 60HZ, 145TC, 3646M, TENV, F1

Part Detail							
Revision:	D	Status:	PRD/A	Change #:		Proprietary:	No
Type:	AC	Prod. Type:	3646M	Elec. Spec:	36WGR412	CD Diagram:	CD0005
Enclosure:	TENV	Mfg Plant:		Mech. Spec:	36Q446	Layout:	36LYQ446
Frame:	145TC	Mounting:	F1	Poles:	04	Created Date:	02-27-2015
Base:	N	Rotation:	R	Insulation:	F	Eff. Date:	06-08-2016
Leads:	9#16					Replaced By:	
Literature:		Elec. Diagram:					

Nameplate NP1669L										
CAT.NO.	VEWDM3651T									
SPEC.	36Q446R412G1									
HP	3									
VOLTS	230/460									
AMP	8.2/4.1									
RPM	1760									
FRAME	145TC				HZ	60			PH	3
SER.F.	1.15		CODE	L	DES	B		CLASS	F	
NEMA-NOM-EFF	89.5		PF	75						
RATING	40C AMB-CONT									
CC	010A				USABLE AT 208V			8.6		
DE	6206				ODE	6205				
ENCL	TENV		SN							
BLANK										

Parts List		
Part Number	Description	Quantity
SA294513	SA 36Q446R412G1	1.000 EA
RA280592	RA 36Q446R412G1	1.000 EA
36CB3005A03W	36 CB .75 NPT @ 6 W/WHITE EPOXY	1.000 EA
35GS1040	35 MOLDED GASKET W/LIP, LEAD SEAL,	1.000 EA
51XB1016A08	10-16X 1/2HXWSSLD SERTYB	2.000 EA
11XW1032G06	10-32 X .38, TAPTITE II, HEX WSHR SLTD U	1.000 EA
36EP3101A55MW	FR ENDPLATE-ENCL.WASH DOWN DUTY (WHITE E	1.000 EA
HW4032A01	BLACK DRAIN PLUG FOR WASH DOWN MOTORS	3.000 EA
HW5100A05	WVY WSHR F/205 & 304 BRGS	1.000 EA
36EP3303A11MW	PU EP-ENCL-206 BRG, NO GRS,"O" DRAINS (W	1.000 EA
HW4032A01	BLACK DRAIN PLUG FOR WASH DOWN MOTORS	3.000 EA
HW4600B50SP	SEAL 1.156 X 1.874 X 0.250 SINGLE LIP DB	1.000 EA
10XN2520S24	1/4-20X 1 1/2 HEX HD SS	4.000 EA
36CB4518	36 LIPPED CB LID PRIMED	1.000 EA
37GS3010	1/16"WHITE LID GASKET	1.000 EA
59XW0832S07	TAPTITE II,HEX WSHR UNSLTD SER,410 S.S.,	4.000 EA
HW1003S08	WASHER, #8 EX TH LK, SS	4.000 EA
HW4600B36SP	V-RING SLINGER 1.188 X 1.690 X .24 VITON	1.000 EA
HW2502D13	SS KEY, 3/16 SQ X 1.375	1.000 EA
HA7000A01	KEY RETAINER 7/8" DIA SHAFT	1.000 EA
MJ5001A27	32220KN GRAY SEALER *MIN BUY 4 QTS=1GAL	0.001 QT
85XU0407S04	4X1/4 U DRIVE PIN STAINLESS	2.000 EA
LB1164	LABEL,WARNING AND DRAIN	1.000 EA
HW3200A01	3/8-16X3/4 I-BLT WELDED F/S	1.000 EA

Parts List (continued)		
Part Number	Description	Quantity
MJ1000A02	GREASE, POLYREX EM EXXON (USe 4824-15A)	0.050 LB
MG1025Z02	ACTIVATOR WILKOFAS 060.02HF	0.010 GA
MG1025W01	WILKOFAS, 781.01, SIGNAL WHITE #9003	0.022 GA
LB1115N	LABEL,LIFTING DEVICE (ON ROLLS)	1.000 EA
HA3101S28	THRUBOLT- 1/4-20 X 12.50 SS	4.000 EA
LC0005	CONN.DIA.,TY M,9-LD,DUAL VOLT,REVERSING	1.000 EA
NP1669L	SS WD SUPER-E UL CSA-EEV PREM REV MTG	1.000 EA
36PA1001	PKG GRP, PRINT PK1017A06	1.000 EA
MN416A01	TAG-INSTAL-MAINT no wire (1200/bx) 11/14	1.000 EA
HA5027A01	HA4066A01 T-DRAIN X2 BAGGED	1.000 EA

AC Induction Motor Performance Data

Record # 57338 - Typical performance - not guaranteed values

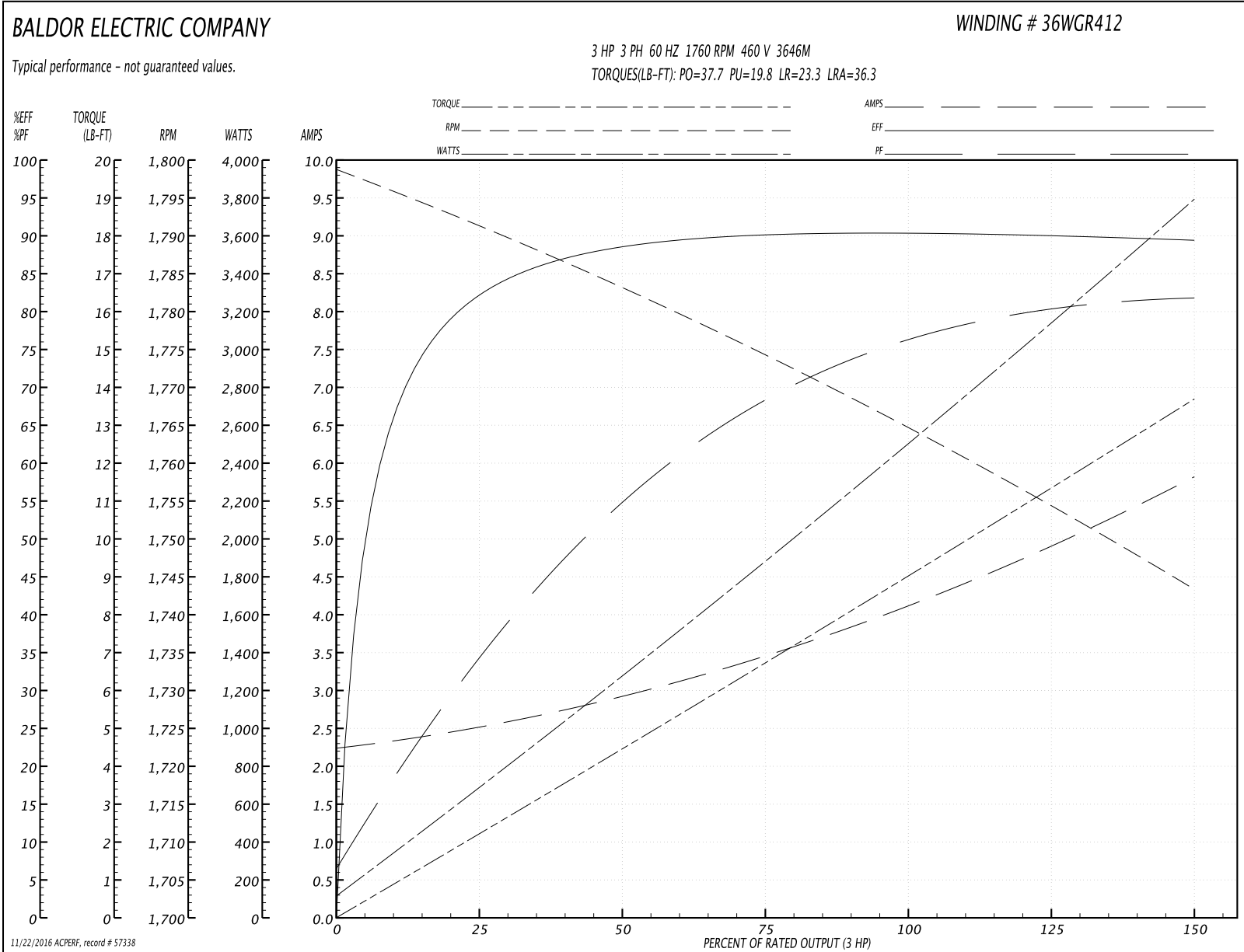
Winding: 36WGR412-R003	Type: 3646M	Enclosure: TENV
-------------------------------	--------------------	------------------------

Nameplate Data				460 V, 60 Hz: High Voltage Connection	
Rated Output (HP)	3			Full Load Torque	9.02 LB-FT
Volts	230/460			Start Configuration	direct on line
Full Load Amps	8.2/4.1			Breakdown Torque	37.7 LB-FT
R.P.M.	1760			Pull-up Torque	19.8 LB-FT
Hz	60	Phase	3	Locked-rotor Torque	23.3 LB-FT
NEMA Design Code	B	KVA Code	L	Starting Current	36.3 A
Service Factor (S.F.)	1.15			No-load Current	2.28 A
NEMA Nom. Eff.	89.5	Power Factor	75	Line-line Res. @ 25°C	2.97 Ω
Rating - Duty	40C AMB-CONT			Temp. Rise @ Rated Load	57°C
S.F. Amps				Temp. Rise @ S.F. Load	67°C
				Locked-rotor Power Factor	38.8
				Rotor inertia	0.428 LB-FT ²

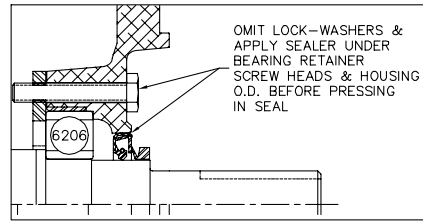
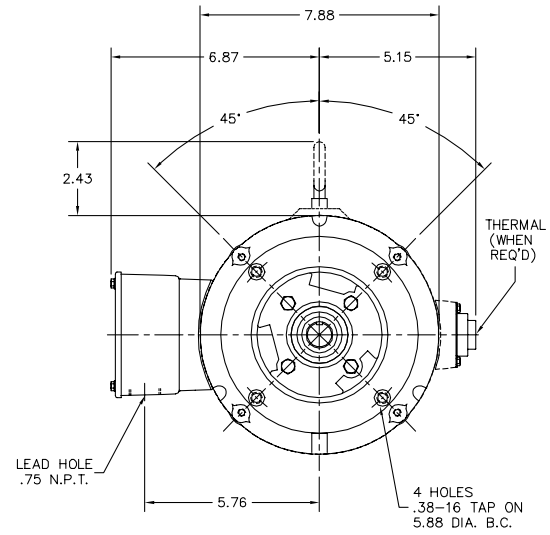
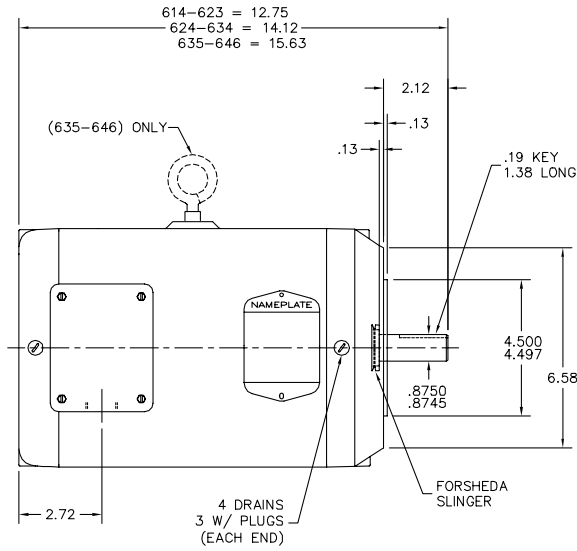
Load Characteristics 460 V, 60 Hz, 3 HP

% of Rated Load	25	50	75	100	125	150	S.F.
Power Factor	35	56	68	75	80	82	78
Efficiency	82.3	88.4	90.2	90.5	90.1	89.4	90.3
Speed	1791	1783	1774	1765	1755	1743	1759
Line amperes	2.48	2.88	3.46	4.16	4.93	5.78	4.62

Performance Graph at 460V, 60Hz, 3.0HP Typical performance - Not guaranteed values



36LYQ446



PULLEY END DETAIL

CUSTOMER IS RESPONSIBLE FOR DETERMINING THAT BALDOR'S PRODUCT WILL PERFORM SUITABLY IN THE INTENDED APPLICATION.

REV. DESC: NEW	VERSION: 00	TDR: 000000891800
REV. LTR: -	REVISED: 08:56:15 02/27/2015	BY: ENBRAMO
FILE: \AAA\00215\835		
MTL: -		

BALDOR
 STD VERT 143-5TC TENV 36M WD
 SH 1 of 1

36LYQ446

CD0005



LOW VOLTAGE
(2Y)



LINE

HIGH VOLTAGE
(1Y)



LINE

NOTES:

1. INTERCHANGE ANY TWO LINE LEADS TO REVERSE ROTATION.
2. OPTIONAL THERMOSTATS ARE PROVIDED WHEN SPECIFIED.
3. ACTUAL NUMBER OF INTERNAL PARALLEL CIRCUITS MAY BE A MULTIPLE OF THOSE SHOWN ABOVE.
4. LEAD COLORS ARE OPTIONAL. LEADS MUST ALWAYS BE NUMBERED AS SHOWN.

REV. DESC: REVISE TO SHOW OPTIONAL COLORS			
REV. LTR: E	BY: JLP	REVISED: 01/19/99 10:15	TDR: 0171435
90000		FILE: AAA00005140	MDL: -
		MTL: -	

BALDOR ELECTRIC Co.

3PH, DV, 9 LEADS

CD0005