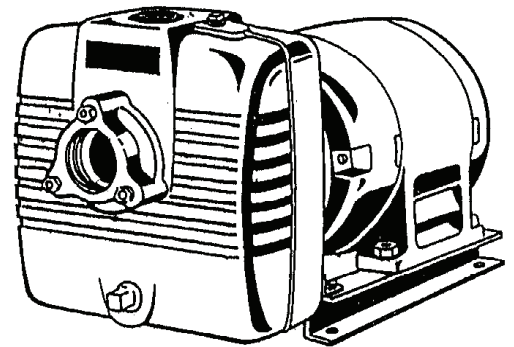


### Self-Priming Universal/Electric Driven

## Specifications:

**SUCTION/DISCHARGE** .....3" x 3" NPT, Female  
**LIQUID TEMPERATURE** .....160°F (71°C) Continuous  
**INTERMEDIATE** .....Cast Iron ASTM A-48, Class 30  
**VOLUTE** .....Cast Iron ASTM A-48, Class 30  
**BODY** .....Cast Iron ASTM A-48, Class 30  
**PEDESTAL** .....Cast Iron ASTM A-48, Class 30  
**IMPELLER:** *Design* .....Open, Trash Type, Dynamically  
Balanced, ISO G6.3  
*Material* .....Cast Iron ASTM A-48, Class 30  
**SHAFT** .....Stainless Steel  
**SHAFT SLEEVE** .....Bronze  
**SQUARE RINGS** .....Buna-N  
**HARDWARE** .....Series Stainless Steel  
**PAINT** .....Air Dry Enamel.  
**SEAL:** *Design* .....Mechanical  
*Lubrication* .....Self-Lubricating  
*Material* .....Rotating Faces - Carbon  
Stationary Faces - Ni-Resist  
Elastomer - Buna-N  
Hardware -300 Series Stainless  
**CHECK VALVE:**  
*Material* .....Valve Flap-Neoprene  
Weight-Cast Iron ASTM A-48, Class 30  
**MOTOR:** *Design* .....Open Drip Proof, NEMA B - Three Phase,  
Torque Curve. C-Face, Footed, Squirrel  
Cage Induction. Marine Duty Per  
USCG259 and AIEEEE-45, 50°C Ambient  
*Insulation* .....Class B  
**THREE PHASE** .....Tri-Voltage 200-230/460  
**OPTIONAL EQUIPMENT** .....Seal Material, TEFC Motors



**Series: 25CCE**  
**15HP, 3450RPM**

## DESCRIPTION:

SELF-PRIMING CENTRIFUGAL PUMPS  
DESIGNED FOR MARINE, MUNICIPAL AND  
INDUSTRIAL APPLICATIONS

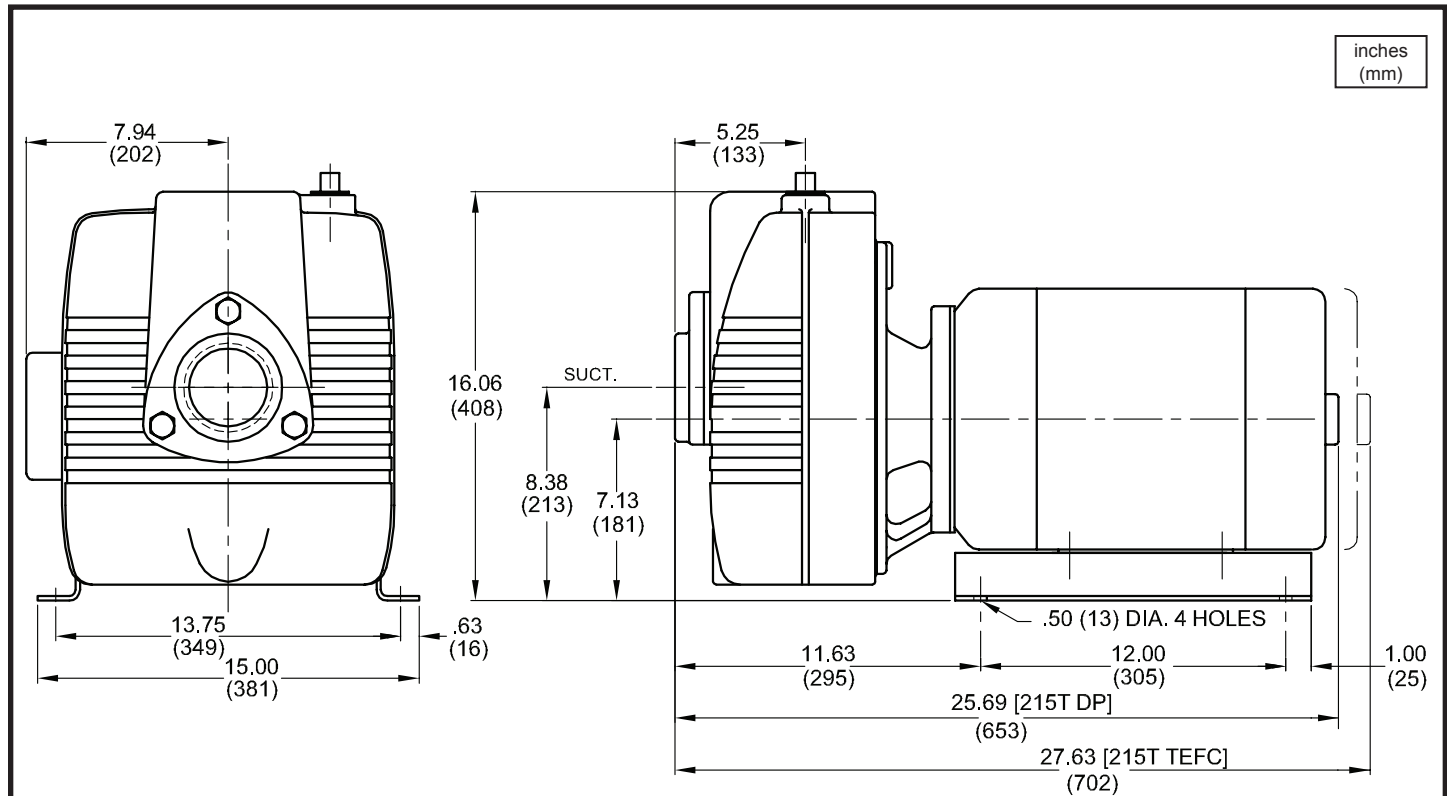
# Series 25CCE

Electric Drive  
3" NPT

# BARNES®

www.cranepumps.com

## Self-Priming Universal/Electric Driven



inches  
(mm)

Overall Dimensions subject to Motor Manufacture.

MODEL NO	PART NO	MOTOR DESIGN	HP	VOLT	PH	Hz	RPM (Nom)	FULL LOAD AMPS	LOCKED ROTOR AMPS	WEIGHT NET LBS (kg)
25CCE	028512	ODP	15	200-230/460	3	60	3450	42/21	232/116	322 (146)
25CCE	028512D	TEFC	15	200-230/460	3	60	3450	18.5 @ 460	125 @ 460	384 (174)

### IMPORTANT !

- DO NOT USE FOR PUMPING FLUIDS WITH A FLASH POINT OF LESS THAN 100°F.
- MAKE CERTAIN THAT PUMP AND/OR MOTOR ASSEMBLY AND CONTROLS HAVE THE APPROPRIATE RATINGS FOR THE GIVEN APPLICATION AREA CLASSIFICATION. (ie DIVISION I, AGENCY LISTING ETC.)

SECTION 4E  
PAGE 14  
DATE 2/06

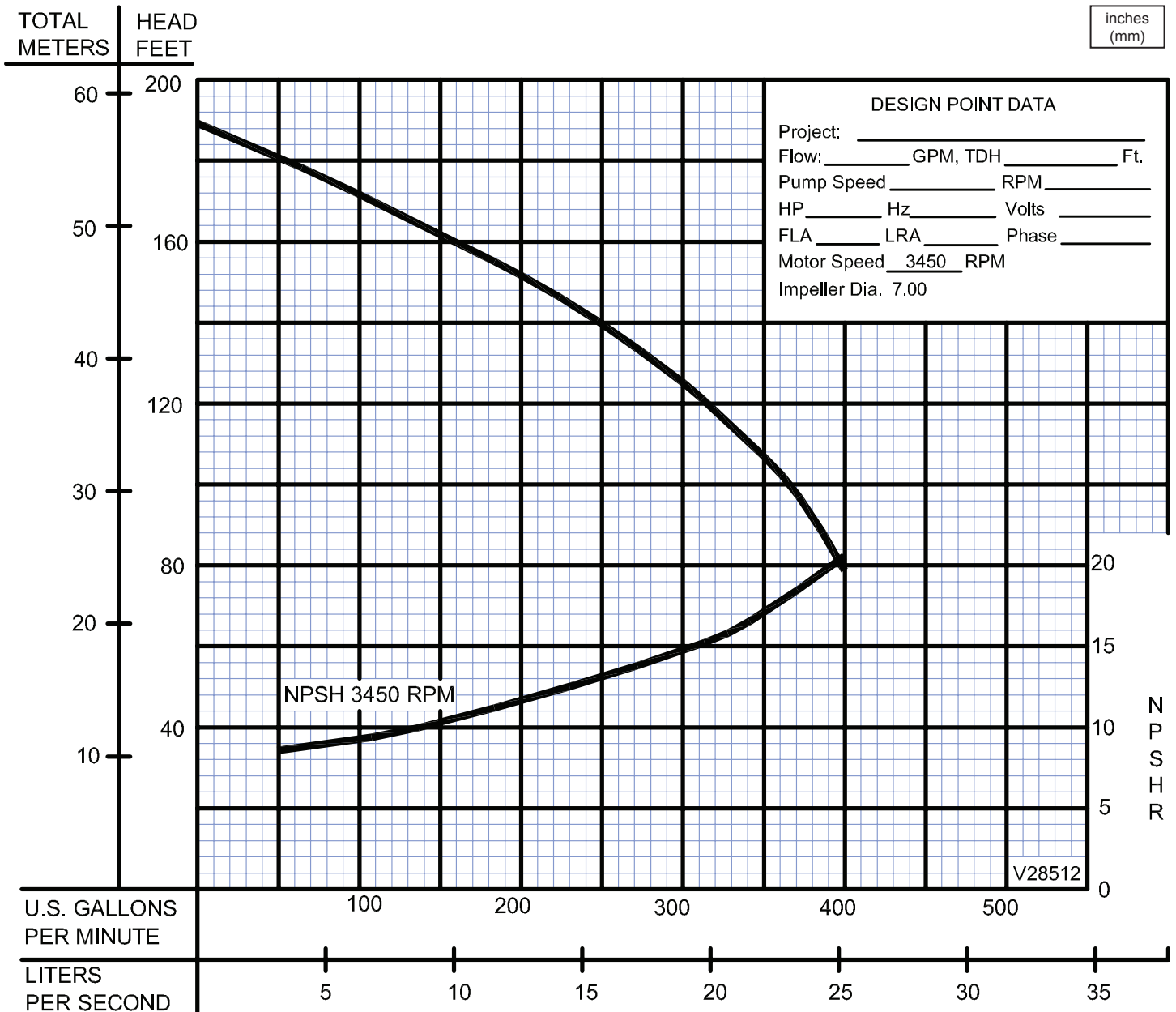
## CRANE®

A Crane Co. Company

## PUMPS & SYSTEMS

USA: (937) 778-8947 • Canada: (905) 457-6223 • International: (937) 615-3598

### Self-Priming Universal/Electric Driven



Testing is performed with water, specific gravity 1.0 @ 68° F @ (20°C), other fluids may vary performance