

TECHNICAL BROCHURE
BCPGDS R4



Guide and Disconnect Systems Less Rails

1¼" THROUGH 6" CONNECTIONS

 **CentriPro**
a xylem brand

Order Online: www.PumpCatalog.com

FEATURES

- Ductile iron construction
- Powder coated for corrosion resistance
- Compact design for greater space availability in the basin
- Designed for simple installation and removal on most pumps
- Innovative design allows for pump service without the need to disconnect plumbing or physically enter the basin
- Units include a SS chain kit - see descriptions
- Base units accept different size guide pipes (not supplied)
- Optional non-sparking bronze guide plate available for 3" and 4" flanged discharge models with HB suffix
- Upper guide bracket included in all packages
- Intermediate guide brackets available as an option

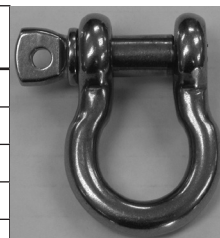
CONERY BASE ELBOW RAIL SYSTEM

CentriPro Order #	Connections	Description	Usable Rail Sizes	Weight (lbs.)	Use With	Maximum Pump Weight (lbs.)
CBE1220	1 1/4" x 2"	Kit Includes: <ul style="list-style-type: none"> (1) Ductile Iron Base Elbow (1) Ductile Iron Pull-out (1) SS Pump Adapter Flange and Mounting Hardware (1) SS Lower Guide Plate Bracket and Mounting Hardware (Attached) (2) BUNA-N O-rings (1) SS Upper Guide Rail Bracket (UGB-STNLS) (1) SS 316" Lifting Chain (7') (1) SS 316" Lifting Chain (3') (3) SS 1/4" SPA Shackles (1) SS 1/4" Quick Link (1) SS Lifting Eyebolt 	3/4", 1"	51	Grinder or effluent pumps with 1 1/4" discharge	200
CBE1520	1 1/2" x 2"		3/4", 1"	51	Sump and effluent pumps with 1 1/2" discharge and stainless steel sewage pumps with 1 1/2" discharge for 1 3/8" solids	200
CBE2020	2" x 2"		3/4", 1"	55	Sewage or effluent pumps with 2" discharge	200
CBE3030	3" x 3"		3/4", 1", 1 1/4"	76	2" Solids handling sewage pumps and 3" NPT threaded vertical discharge (pumps equipped with A1-3, 3" flange)	400
CBE2020CP	2" x 2"		3/4", 1"	76	2" Solids handling sewage pumps and 2" NPT threaded vertical discharge	200
CBE3030H	3" x 3"		3/4", 1", 1 1/4"	66	2 1/2" Solids handling pumps with 3" 125# ANSI flanged discharge.	400
CBE3030HB	3" Flange x 3" NPT non-sparking		3/4", 1", 1 1/4"	68	2 1/2" Solids handling pumps with 3" 125# ANSI flanged discharge.	400
CBE4040H	4" Flange		1 1/2", 2"	157	3" Solids handling pumps with 4" 125# ANSI flanged discharge.	1,000
CBE4040HB	4" Flange non-sparking		1 1/2", 2"	163	3" Solids handling pumps with 4" 125# ANSI flanged discharge.	1,000
CBE6060	6" Flange		2"	200	3 1/2" Solids handling pumps with 6" 125# ANSI flanged discharge.	1,000
CBE6060B	6" Flange non-sparking		2"	200	3 1/2" Solids handling pumps with 6" 125# ANSI flanged discharge.	1,000

* Note: 4" and 6" sizes do not include hardware

CONERY BASE ELBOW RAIL SYSTEM OPTIONAL COMPONENTS

CentriPro Order #	Vendor Part #	Pictures	Description
CBR075	IGB075		SS Intermediate guide bracket - use with 3/4" pipe
CBR100	IGB100		SS Intermediate guide bracket - use with 1" pipe
CBR125	IGB0125		SS Intermediate Guide Bracket - use with 1 1/4" pipe
CPA12	PAF125		SS Pump adapter - for pumps with 1 1/4" NPT discharge
CPA15	PAF150		SS Pump adapter - for pumps with 1 1/2" NPT discharge
CPA20	PAF200		SS Pump adapter - for pumps with 2" NPT discharge
CPA30	PAF300		SS Pump adapter - for pumps with 3" NPT discharge
CUGBS			SS Upper Guide Rail Bracket: For use with 3/4", 1" and 1 1/4" Guide Rails (stainless steel recommended)
CUGBG			Galvanized Steel Upper Guide Rail Bracket: For use with 3/4", 1" and 1 1/4" Guide Rails (stainless steel recommended)



SHACKLE



QUICK LINK

1 1/4" Lift Out Dimensions

MATERIALS OF CONSTRUCTION:

Pump Adapter: 304 SST

Base Elbow: Cast ductile iron

Lift-Out Flange: Cast ductile iron

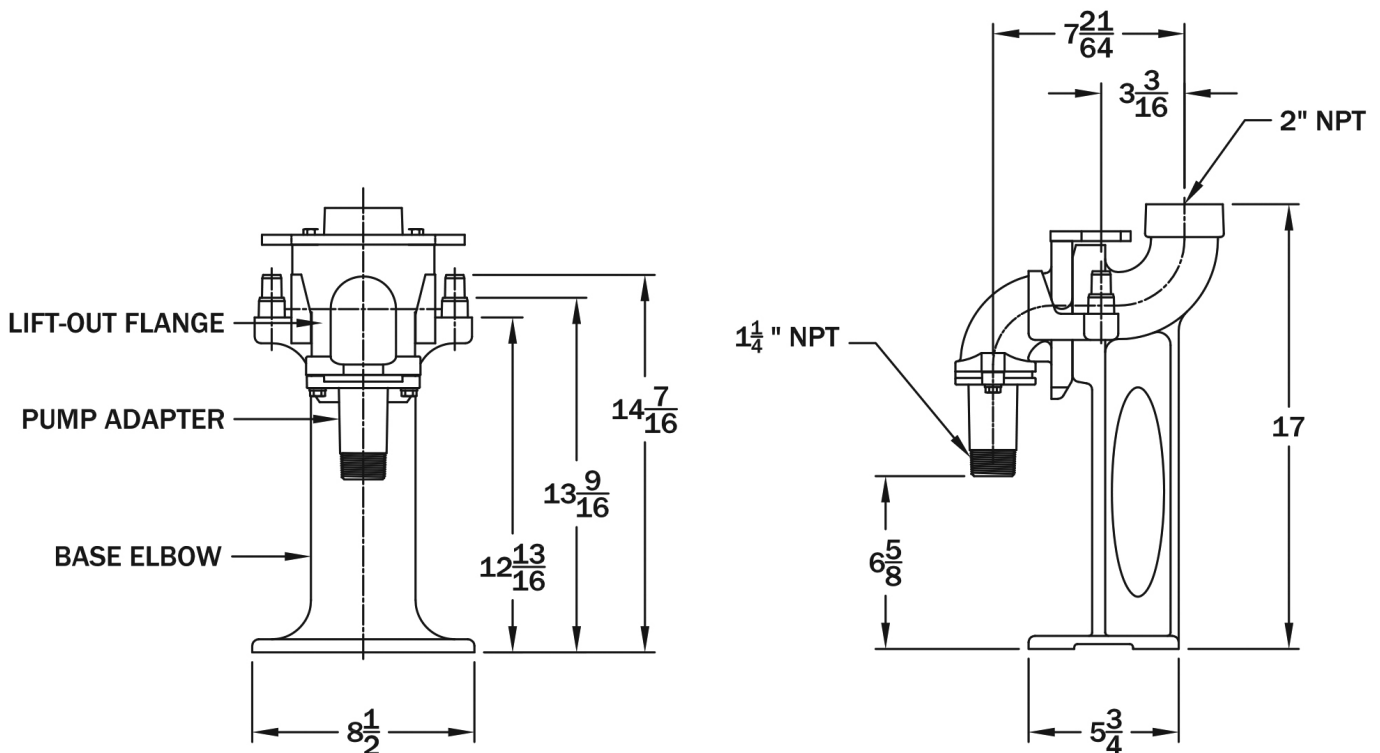
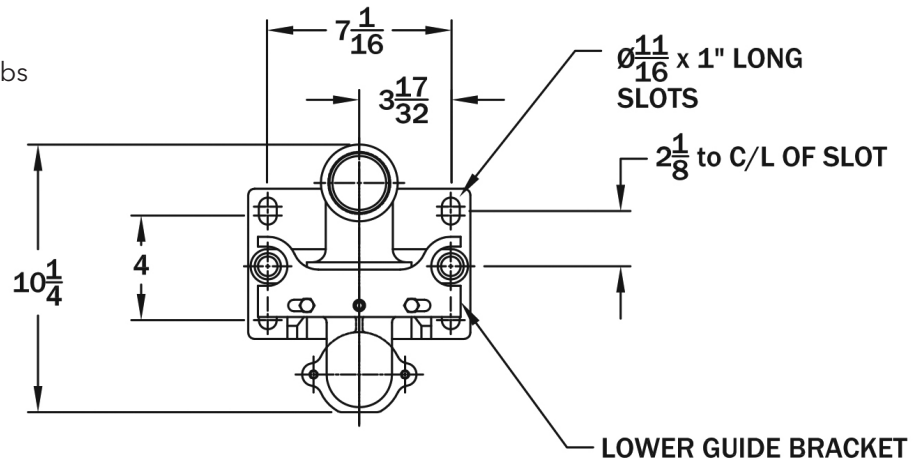
Lower Guide Bracket: 304 SST

All Fasteners are 304 Series SST

Usable Guide Rail Sizes: 3/4", 1"

Maximum Weight Allowance: 250 lbs

Note: All dimensions are in inches



1½" Lift Out Dimensions

MATERIALS OF CONSTRUCTION:

Pump Adapter: 304 SST

Base Elbow: Cast ductile iron

Lift-Out Flange: Cast ductile iron

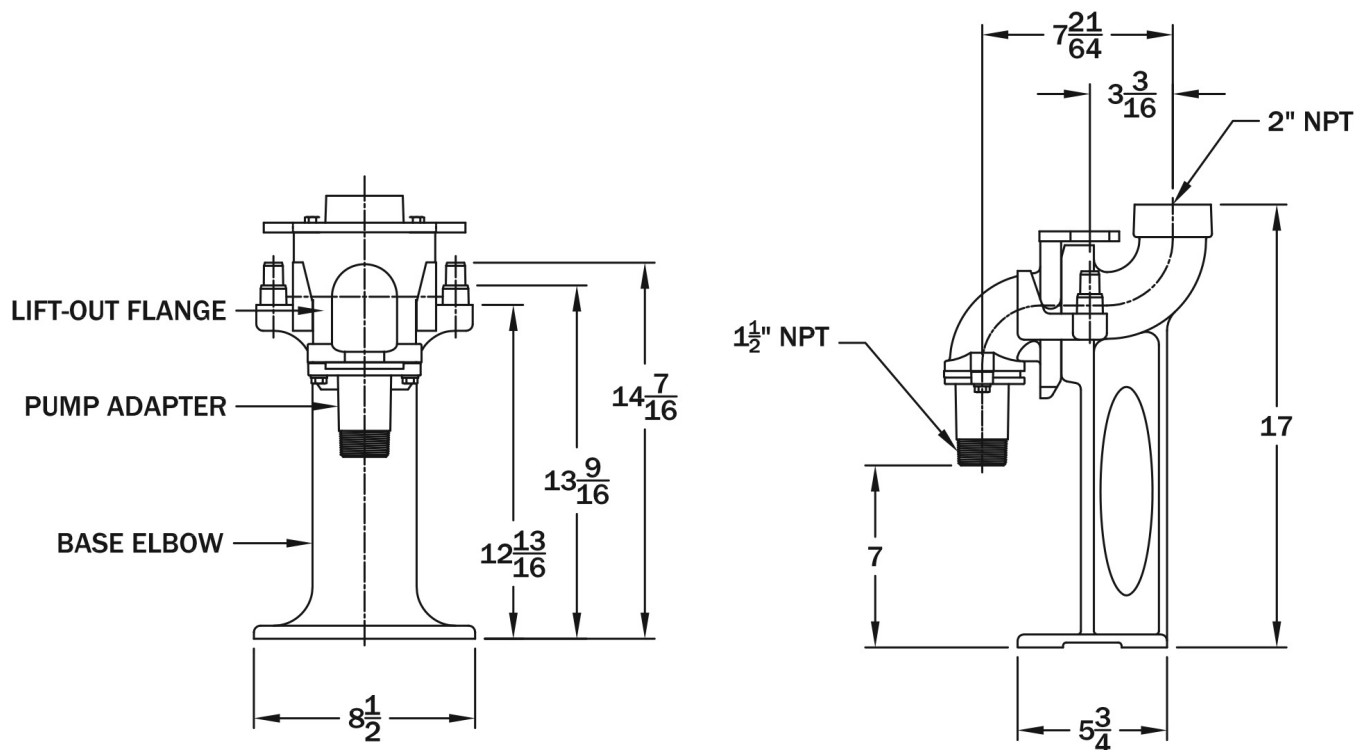
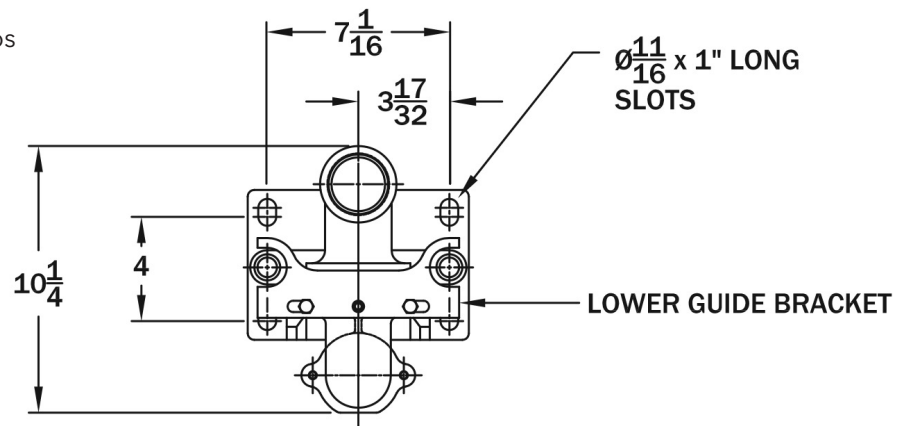
Lower Guide Bracket: 304 SST

All Fasteners are 304 Series SST

Usable Rail Sizes: ¾" and 1"

Maximum Weight Allowance: 250 lbs

Note: All dimensions are in inches



2" Lift Out Dimensions

MATERIALS OF CONSTRUCTION:

Pump Adapter: 304 SST

Base Elbow: Cast ductile iron

Lift-Out Flange: Cast ductile iron

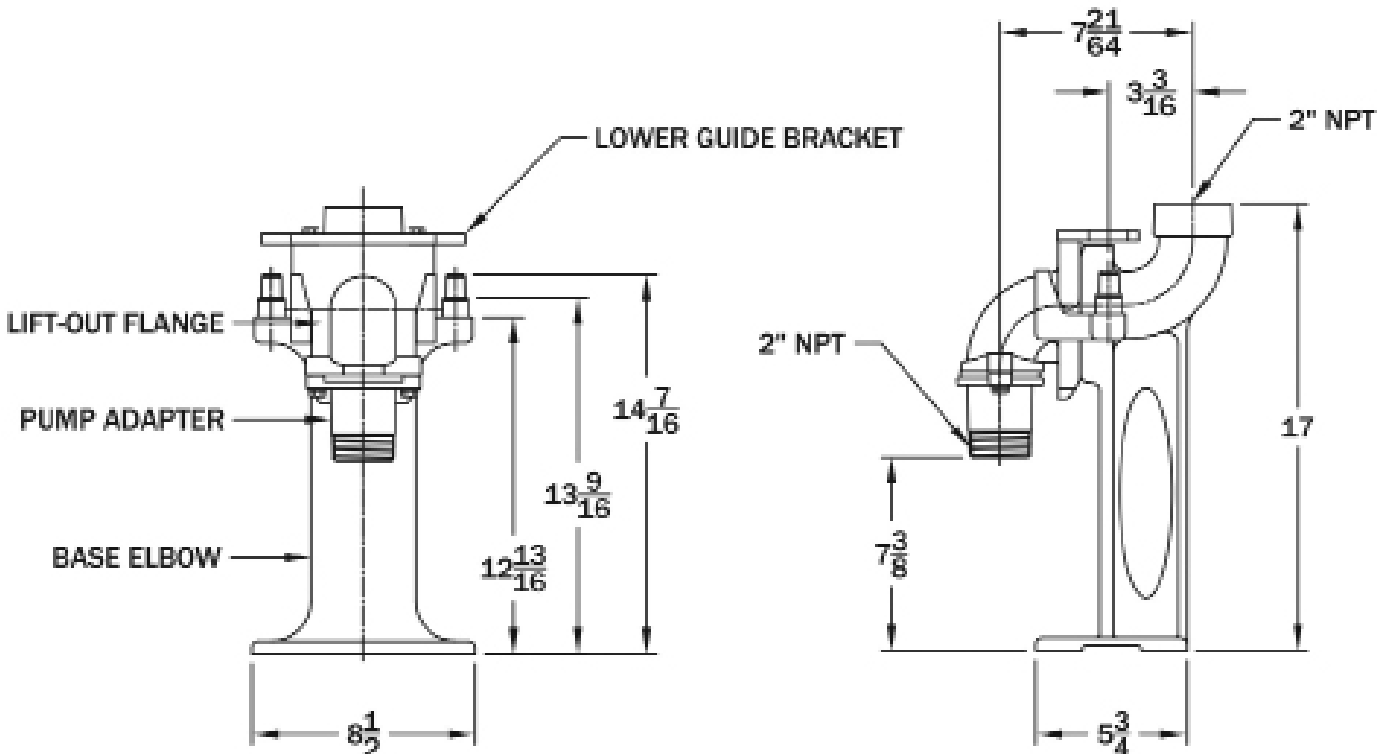
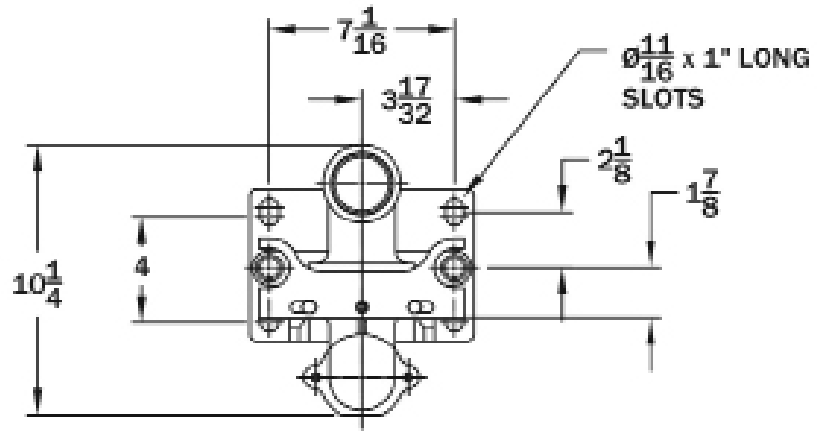
Lower Guide Bracket: 304 SST

All Fasteners are 304 Series SST

Usable Rail Sizes: ¾" and 1"

Maximum Weight Allowance: 250 lbs

Note: All dimensions are in inches



2" Lift Out Dimensions

MATERIALS OF CONSTRUCTION:

Pump Adapter: 304 SST

Base Elbow: Cast ductile iron

Lift-Out Flange: Cast ductile iron

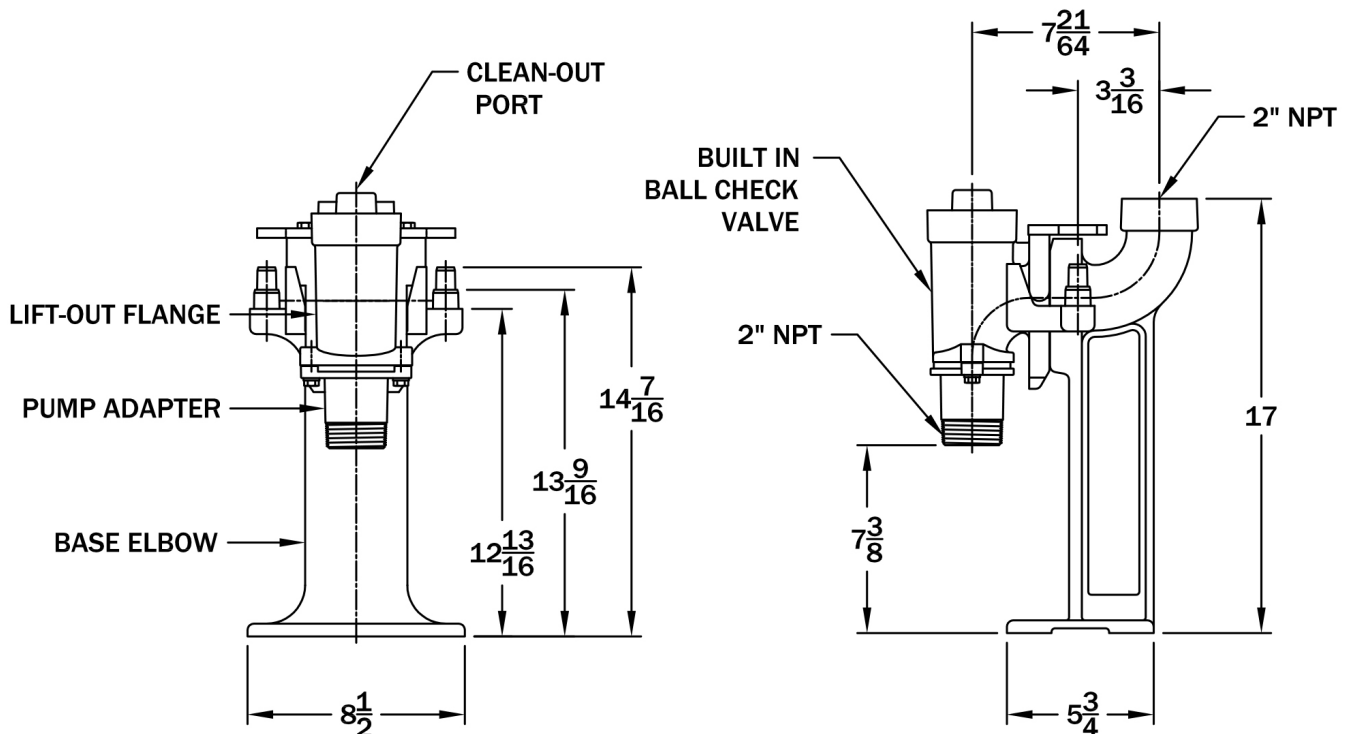
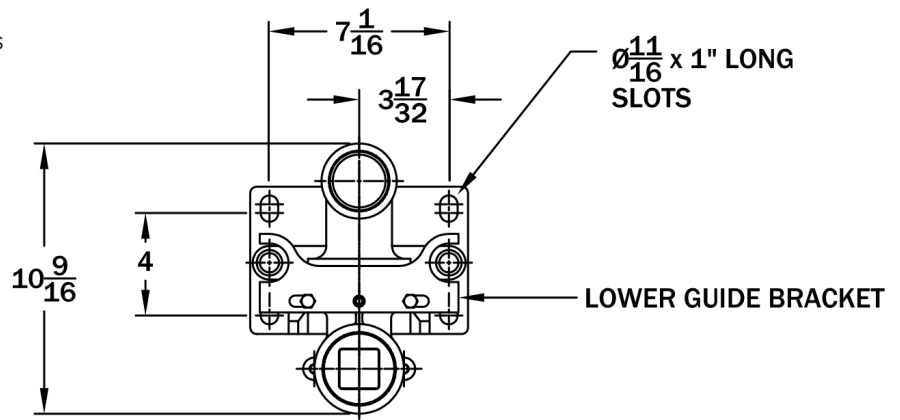
Lower Guide Bracket: 304 SST

All Fasteners are 304 Series SST

Usable Rail Sizes: ¾" and 1"

Maximum Weight Allowance: 200 lbs

Note: All dimensions are in inches



3" Lift Out Dimensions

MATERIALS OF CONSTRUCTION:

Pump Adapter: 304 SST

Base Elbow: Cast ductile iron

Lift-Out Flange: Cast ductile iron

Lower Guide Bracket: 304 SST

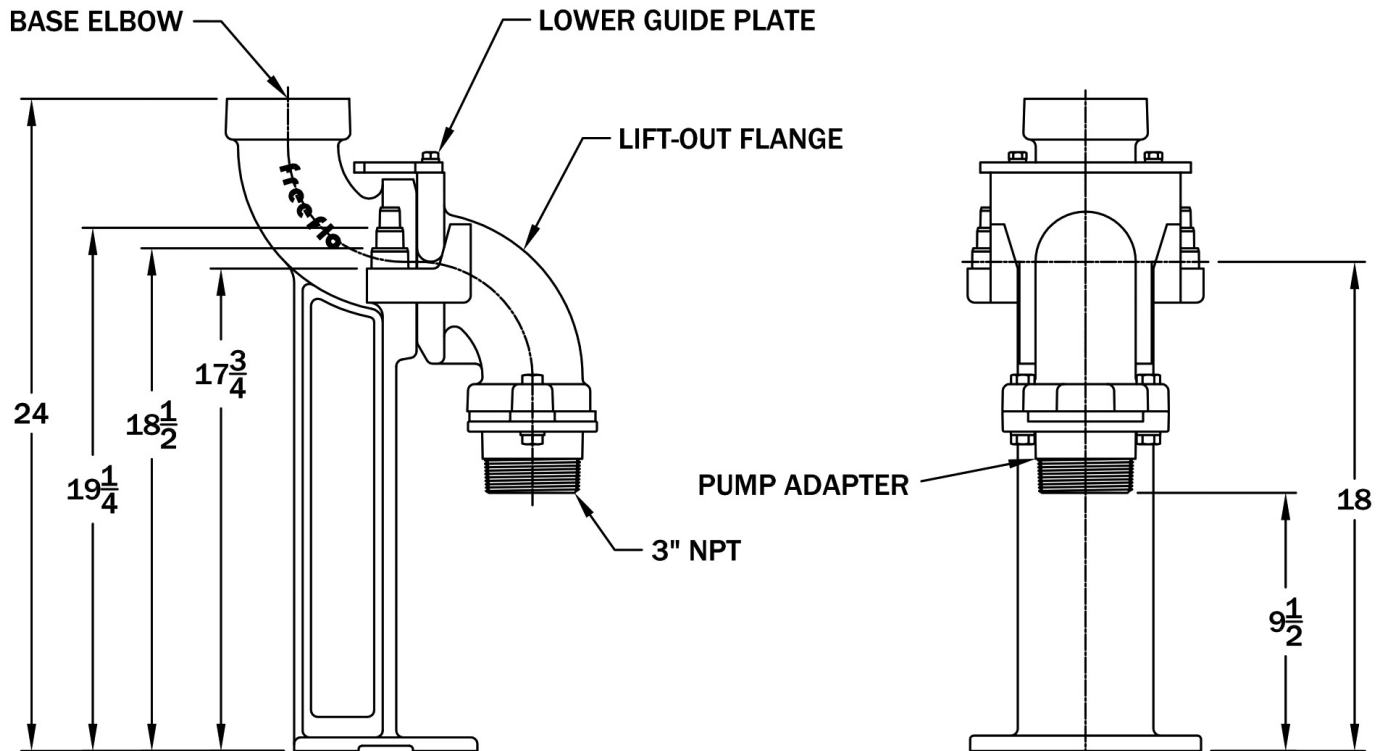
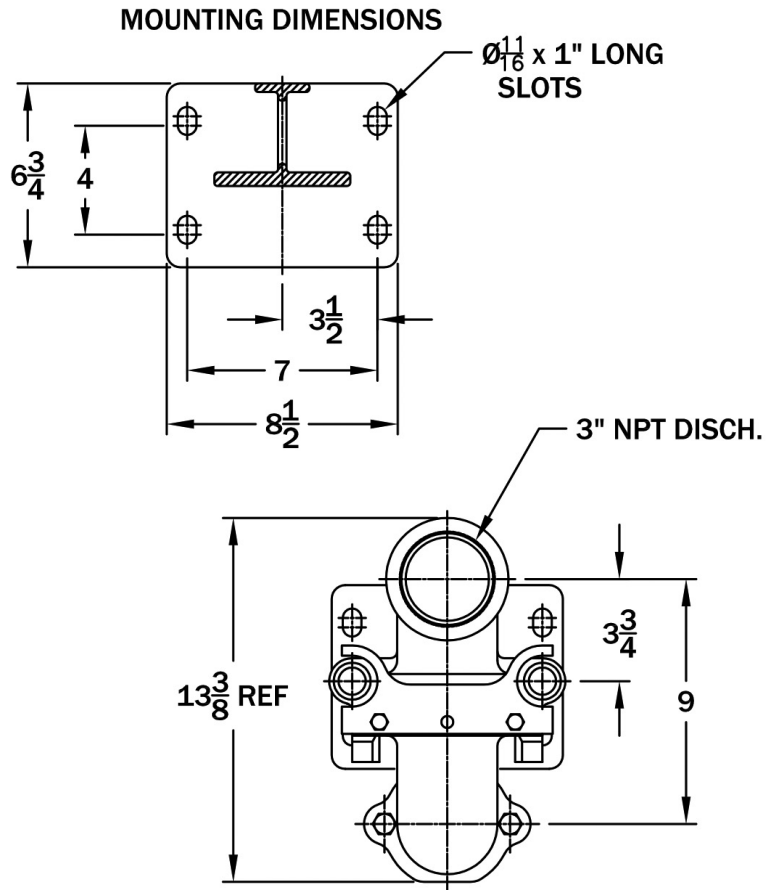
All Fasteners are 304 Series SST

Usable Guide Rail Sizes: ¾", 1", 1¼"

Spherical Solids Size: 3" diameter

Maximum Weight Allowance: 400 lbs

Note: All dimensions are in inches



3" Lift Out Dimensions

MATERIALS OF CONSTRUCTION:

Base Elbow: Cast ductile iron

Lift-Out Flange: Cast ductile iron

Lower Guide Bracket: 304 SST

All Fasteners are 304 Series SST

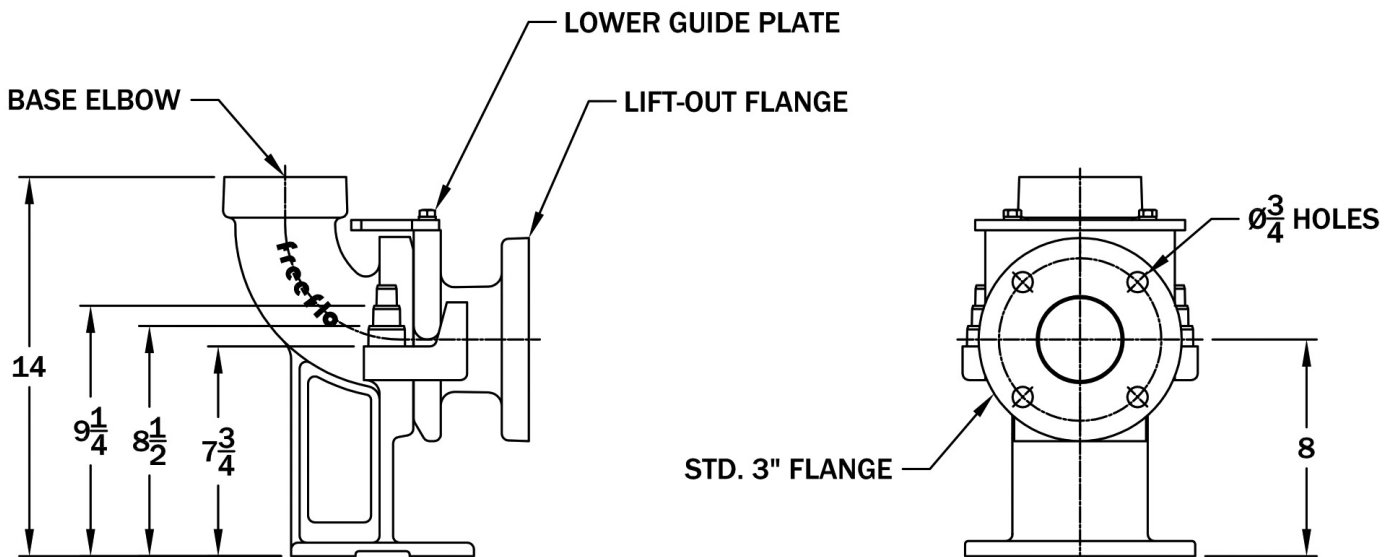
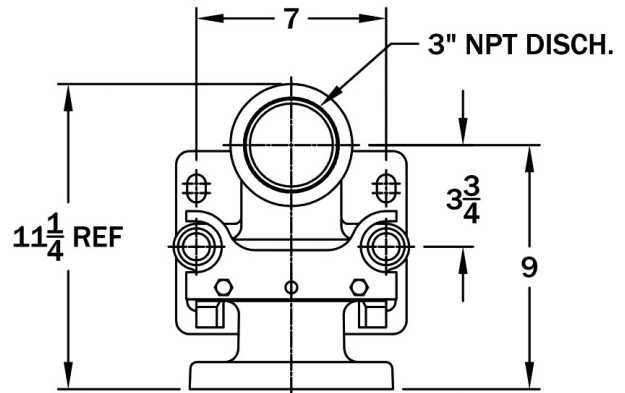
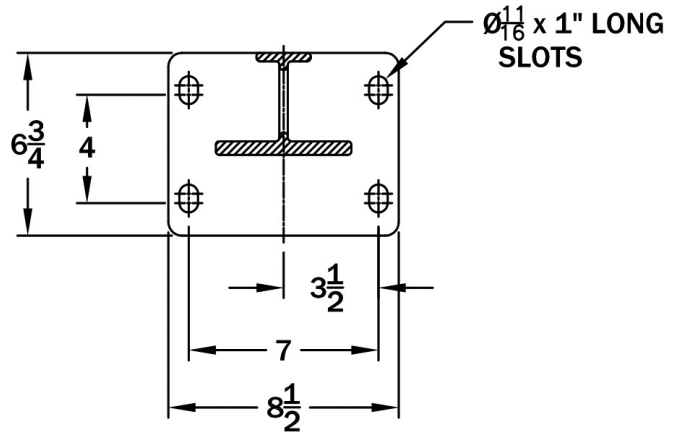
Usable Guide Rail Sizes: ¾", 1", 1¼"

Spherical Solids Size: 3" diameter

Maximum Weight Allowance: 400 lbs

Note: All dimensions are in inches

MOUNTING DIMENSIONS



3" Lift Out Dimensions

MATERIALS OF CONSTRUCTION:

Base Elbow: Cast ductile iron

Lift-Out Flange: Cast brass

Lower Guide Bracket: Cast brass

All Fasteners are 304 Series SST

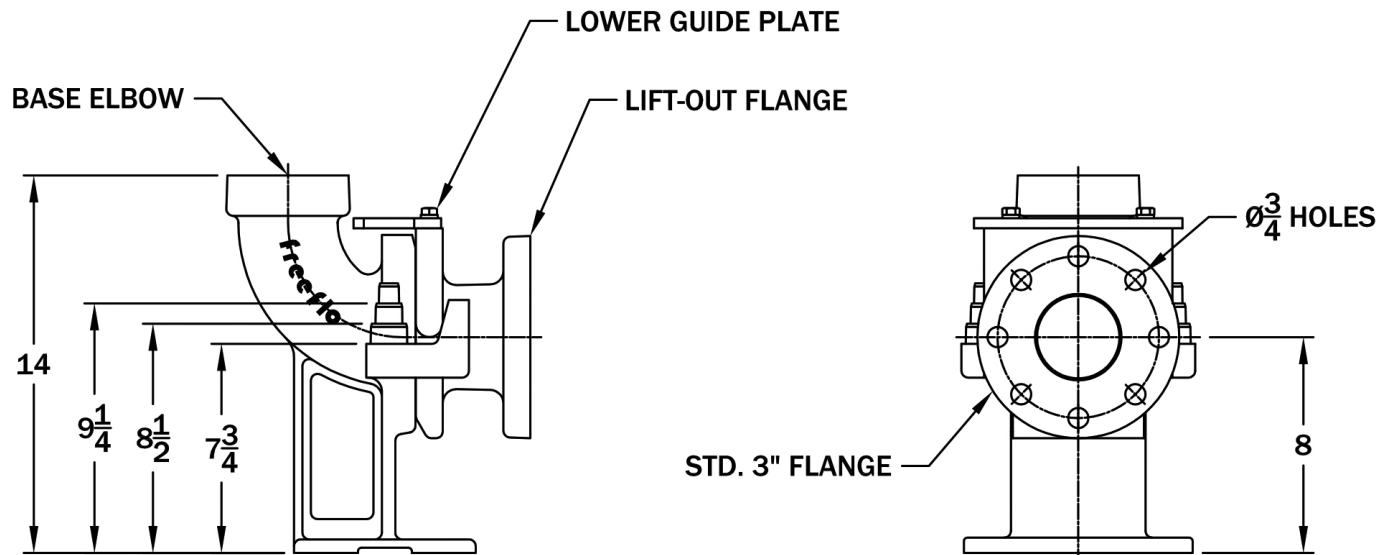
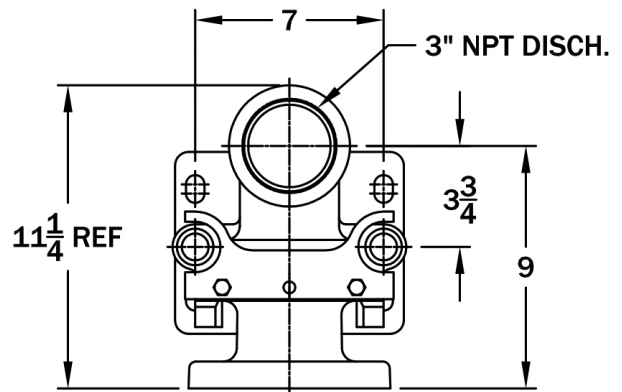
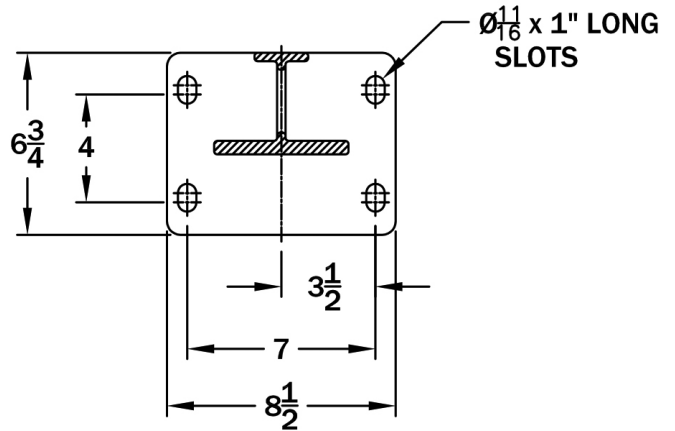
Usable Guide Rail Sizes: 3/4", 1", 1 1/4"

Spherical Solids Size: 3" diameter

Maximum Weight Allowance: 400 lbs

Note: All dimensions are in inches

MOUNTING DIMENSIONS



4" Lift Out Dimensions

MATERIALS OF CONSTRUCTION:

Base Elbow: Cast ductile iron

Lift-Out Flange: Cast ductile iron with SST Sealing Ring

Lower Guide Bracket: Cast ductile iron

All Fasteners are 304 Series SST

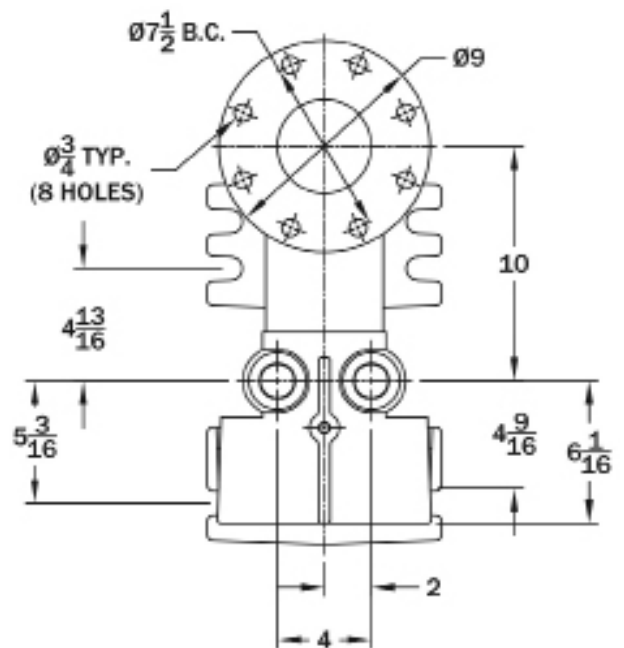
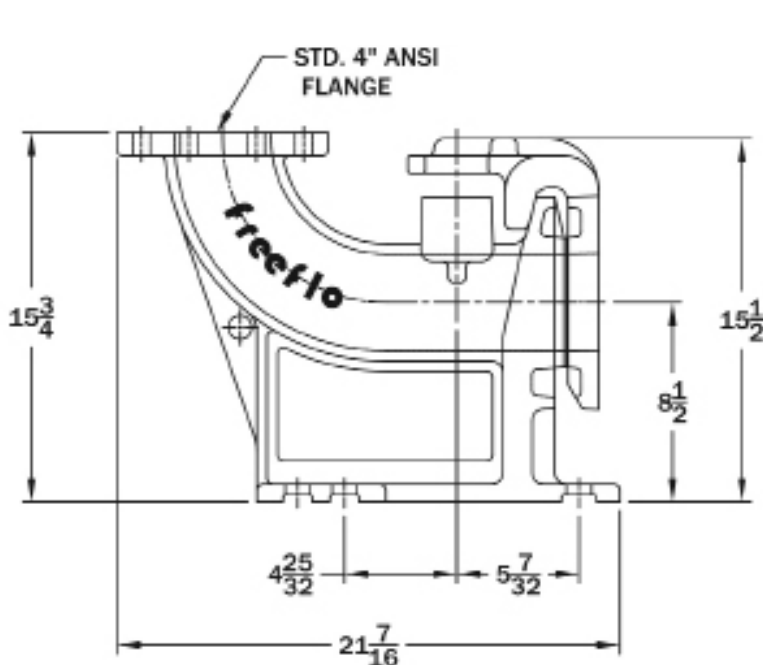
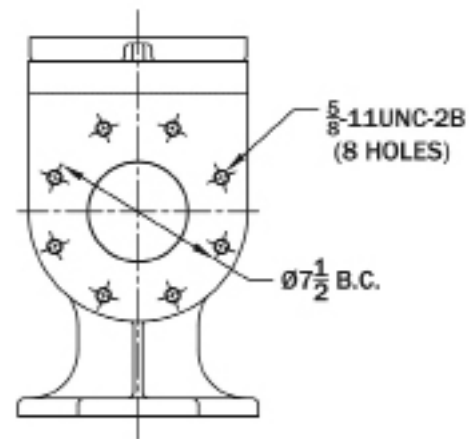
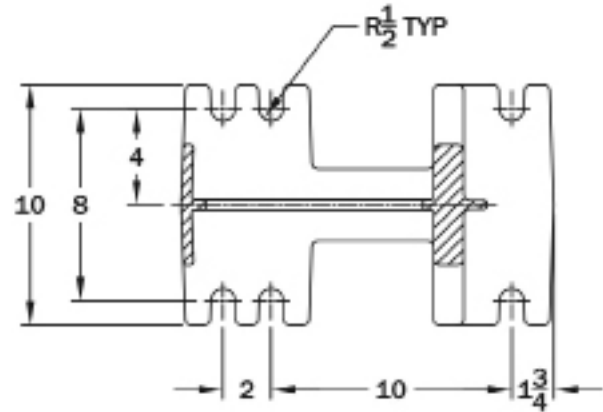
Usable Guide Rail Sizes: 1½", 2"

Spherical Solids Size: 4" diameter

Maximum Weight Allowance: 2000 lbs

Note: All dimensions are in inches

MOUNTING DIMENSIONS



4" Lift Out Dimensions

MATERIALS OF CONSTRUCTION:

Base Elbow: Cast ductile iron

Lift-Out Flange: Cast ductile iron with bronze sealing ring

Lower Guide Bracket: Bronze

All Fasteners are 304 Series SST

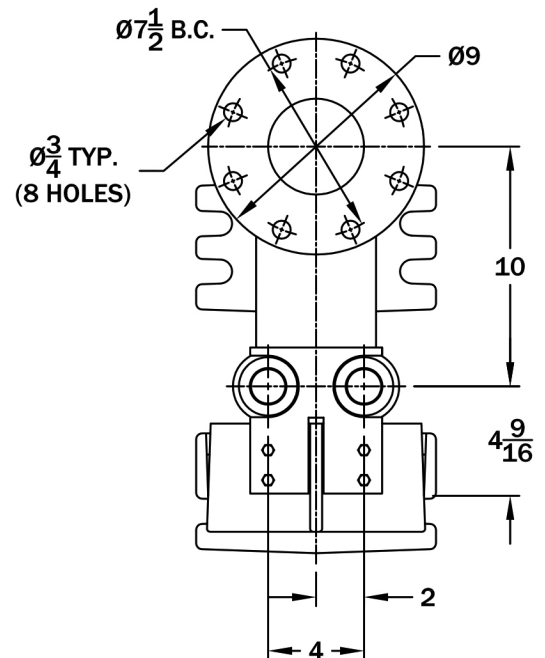
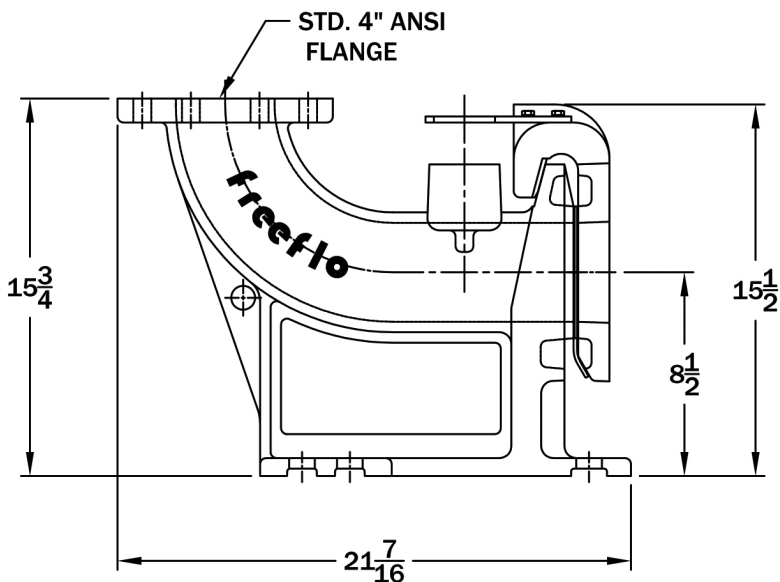
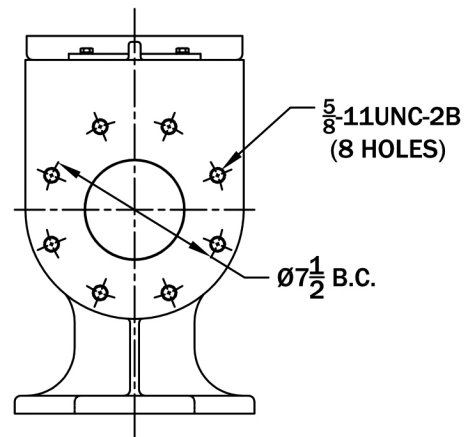
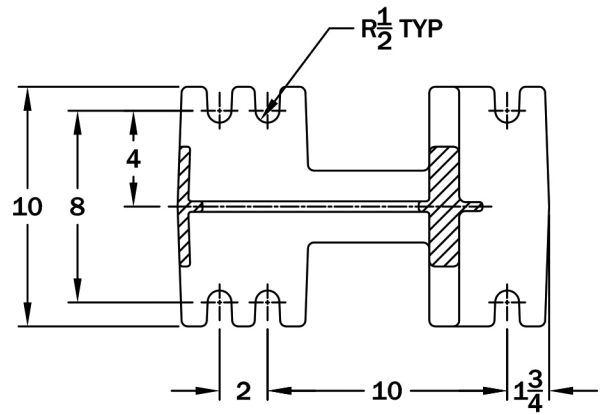
Usable Guide Rail Sizes: 1½", 2"

Spherical Solids Size: 4" diameter

Maximum Weight Allowance: 2000 lbs

Note: All dimensions are in inches

MOUNTING DIMENSIONS



Dimensional Data

MATERIALS OF CONSTRUCTION:

Base Elbow: Cast ductile iron

Lift-Out Flange: Cast ductile iron with stainless steel sealing ring

Lower Guide Bracket: Cast ductile iron

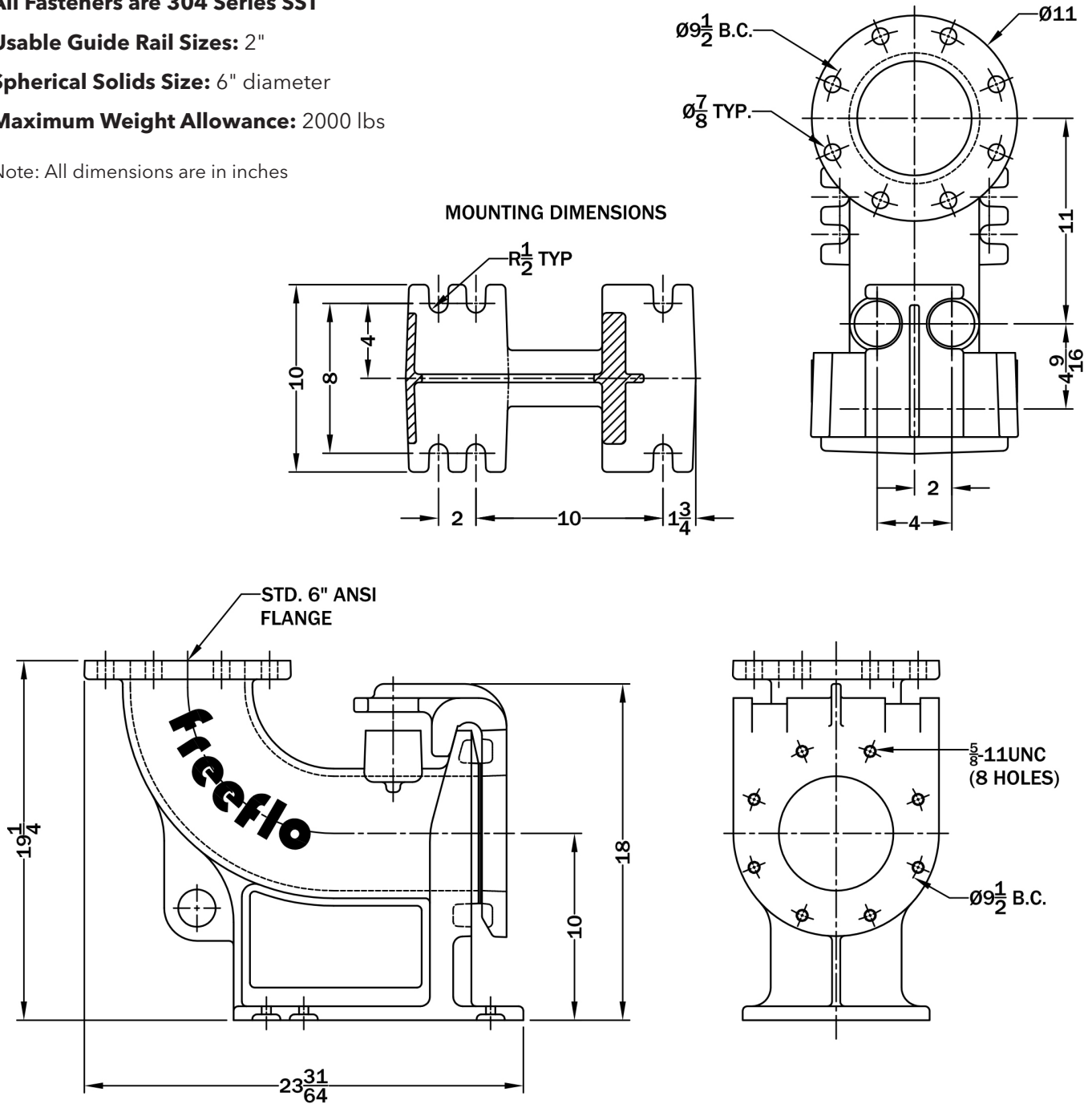
All Fasteners are 304 Series SST

Usable Guide Rail Sizes: 2"

Spherical Solids Size: 6" diameter

Maximum Weight Allowance: 2000 lbs

Note: All dimensions are in inches



Dimensional Data

MATERIALS OF CONSTRUCTION:

Base Elbow: Cast ductile iron

Lift-Out Flange: Cast ductile iron with bronze sealing ring

Lower Guide Bracket: Bronze

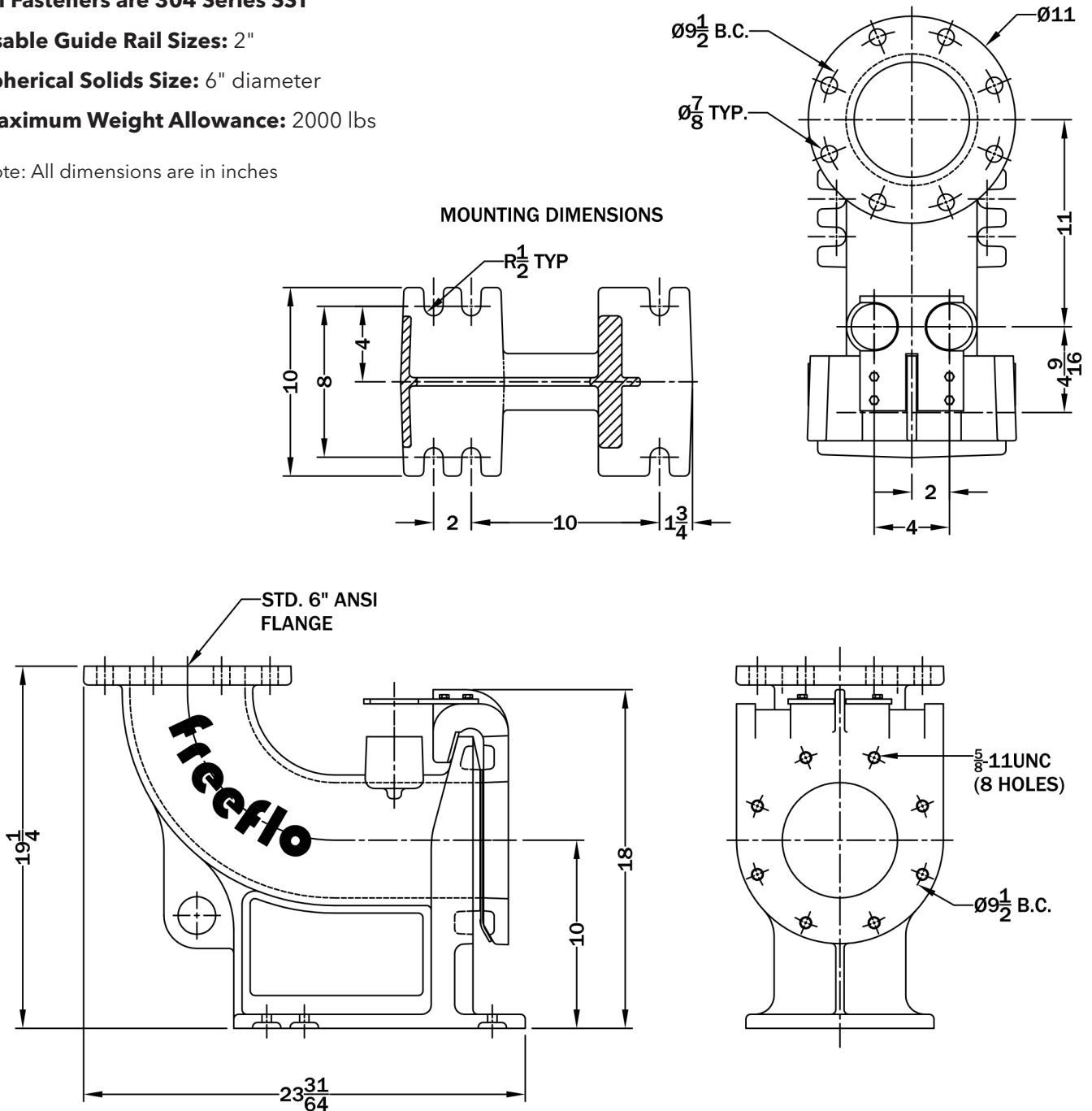
All Fasteners are 304 Series SST

Usable Guide Rail Sizes: 2"

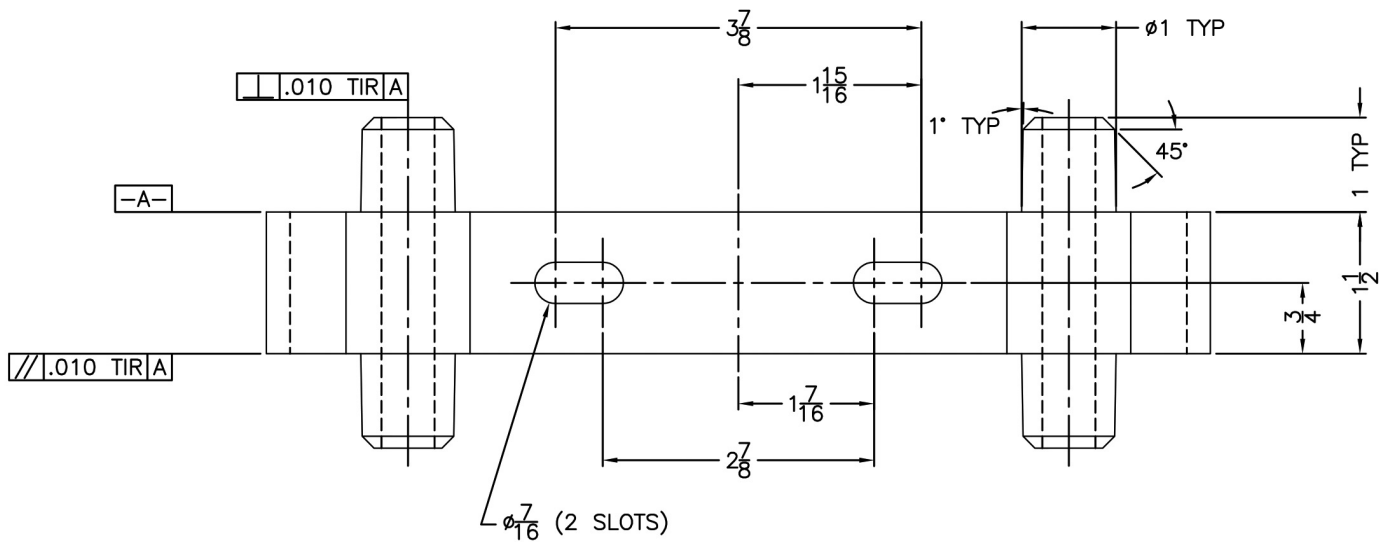
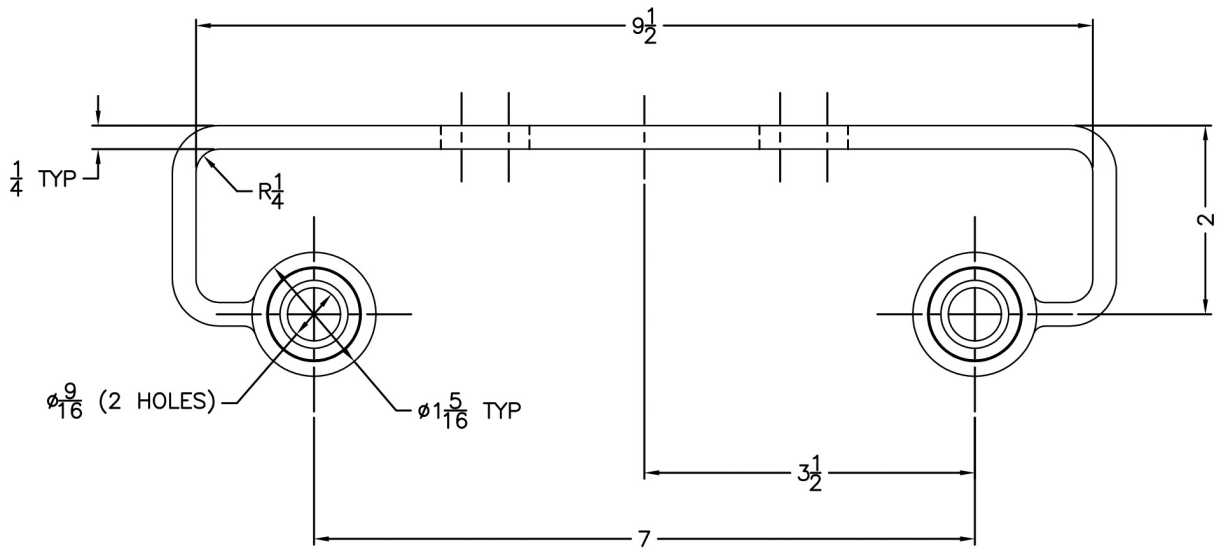
Spherical Solids Size: 6" diameter

Maximum Weight Allowance: 2000 lbs

Note: All dimensions are in inches

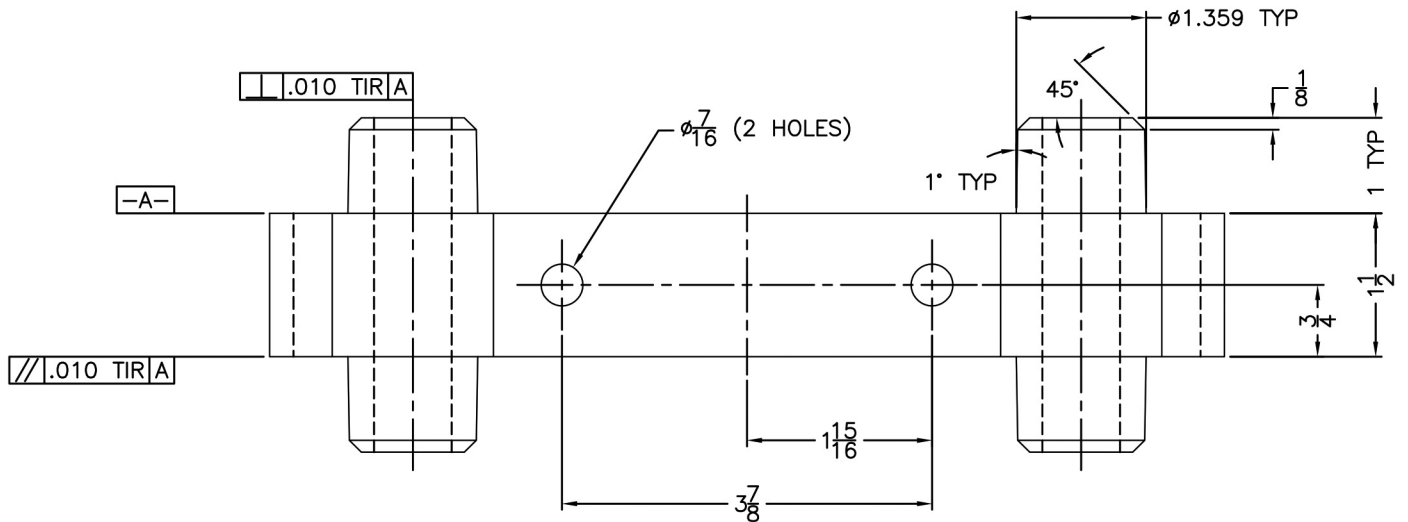
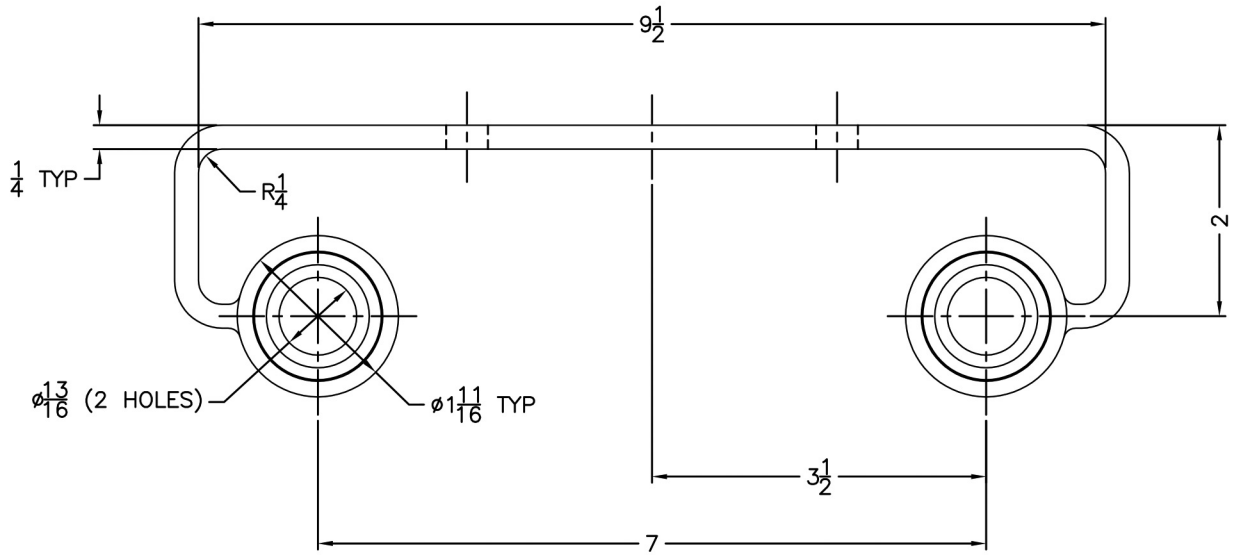


Intermediate Guide Bracket 1" Rails



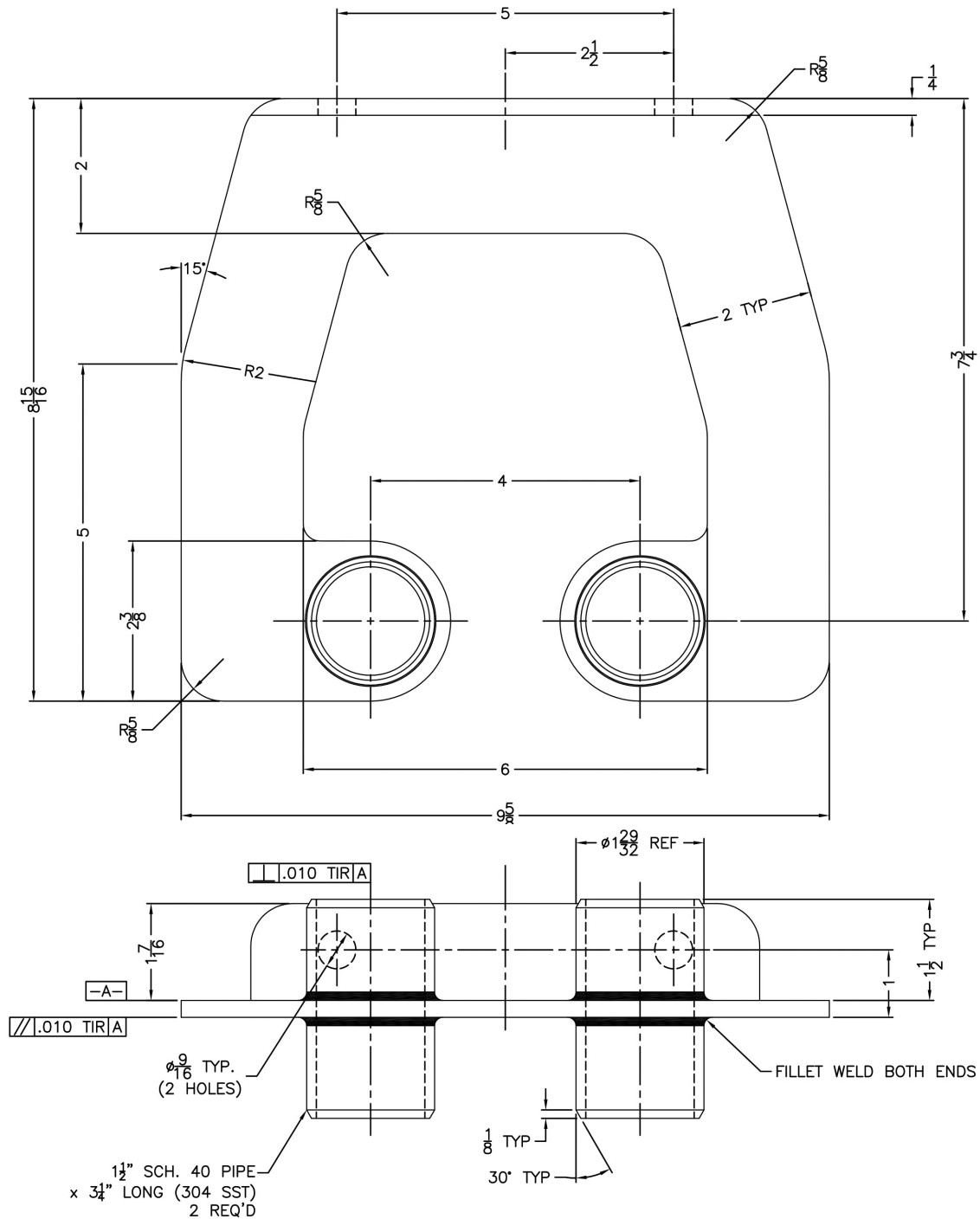
Note: Surface of part must be free of porosity.
Part must be free of distortion due to casting process.

Intermediate Guide Bracket 1 1/4" Rails



Note: Surface of part must be free of porosity.
Part must be free of distortion due to casting process.

Intermediate Guide Bracket 2" Rails



Installation for 2" NPT Discharge Pumps

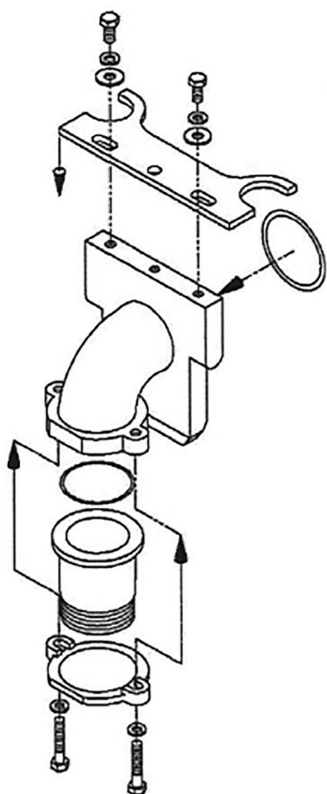


Figure 1

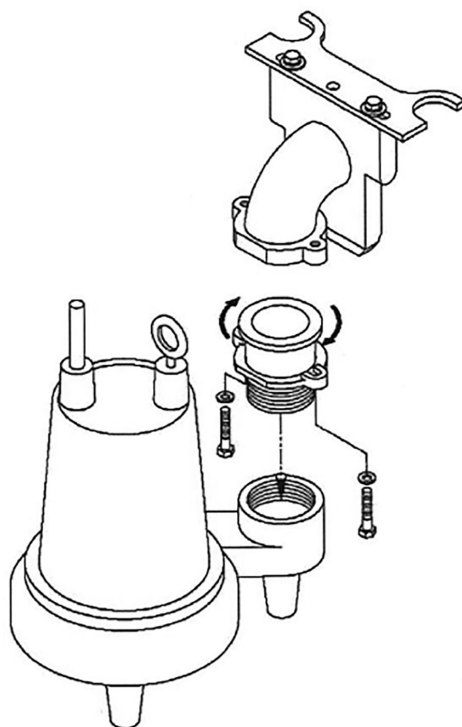


Figure 2

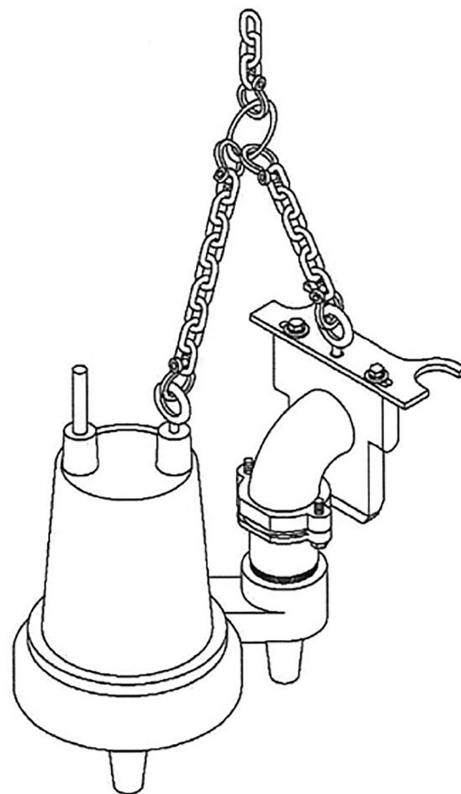


Figure 3

Figure 1 shows all the parts included with the pull-out flange assembly. This is the removable portion of the base elbow rail system assembly, and it is this assembly that will attach to the discharge of the pump (see figure 2). The threaded pump adapter flange will thread into the pump discharge as shown. The pump adapter flange is secured by tightening the two (2) long cap screws provided. This allows the pump to

be oriented as necessary before lowering into the basin or collection tank. After attaching the pull out flange assembly to the pump, the lifting chain or cable assembly should be attached (see figure 3). This should be adequately sized to handle the weight of the pump and the pull out flange assembly as well as be long enough to allow for easy access for pulling the pump.

Installation for 3" and 4" ANSI Flange Pumps

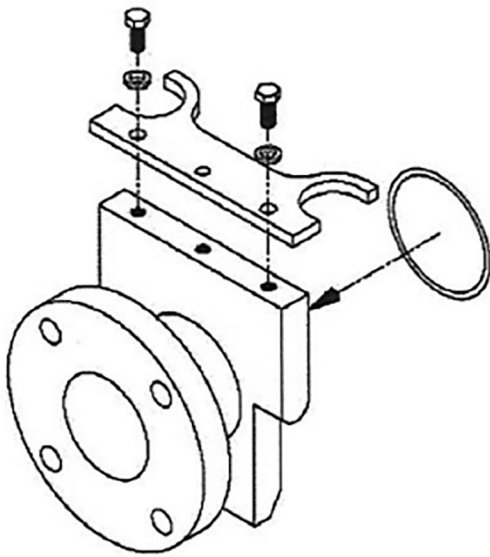


Figure 1

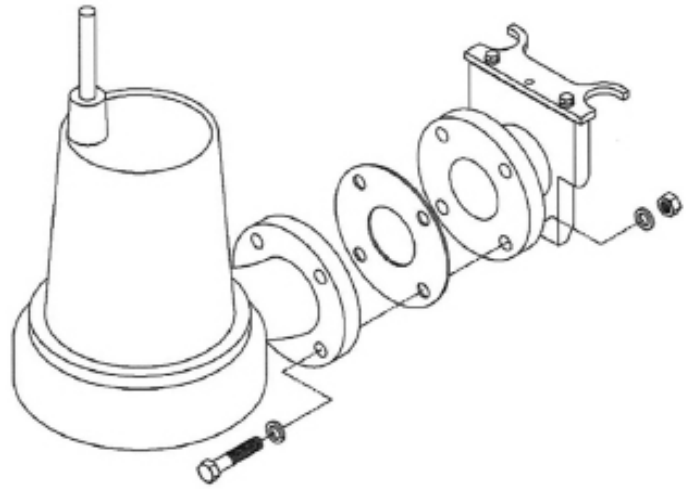


Figure 2

NOTE: Pictures are 3" flange. 4" flange (8 bolt holes) assembly is the same.

Figure 1 shows all the parts included with the pull-out flange assembly. This is the removable portion of the base elbow rail system assembly, and it is this assembly that will attach to the discharge of the pump (see figure 2). The pull out flange will bolt to the pump discharge as shown. A gasket flange should be placed

between the pull out flange and the pump discharge flange. After attaching the pull out flange assembly to the pump discharge flange, the lifting chain or cable assembly should be attached. This should be adequately sized to handle the weight of the pump and the pull out flange assembly as well as be long enough to allow for easy access for pulling the pump.

- 1) The tissue in plants that brings water upward from the roots;
- 2) a leading global water technology company.

We're a global team unified in a common purpose: creating advanced technology solutions to the world's water challenges. Developing new technologies that will improve the way water is used, conserved, and re-used in the future is central to our work. Our products and services move, treat, analyze, monitor and return water to the environment, in public utility, industrial, residential and commercial building services settings. Xylem also provides a leading portfolio of smart metering, network technologies and advanced analytics solutions for water, electric and gas utilities. In more than 150 countries, we have strong, long-standing relationships with customers who know us for our powerful combination of leading product brands and applications expertise with a strong focus on developing comprehensive, sustainable solutions.

For more information on how Xylem can help you, go to www.xylem.com

xylem
Let's Solve Water

Xylem Inc.
Phone: (866) 325-4210
Fax: (888) 322-5877
www.xylem.com/centripro

CentriPro is a trademark of Xylem Inc. or one of its subsidiaries.
© 2021 Xylem Inc. BCPGDS R4 January 2021

Order Online: www.PumpCatalog.com