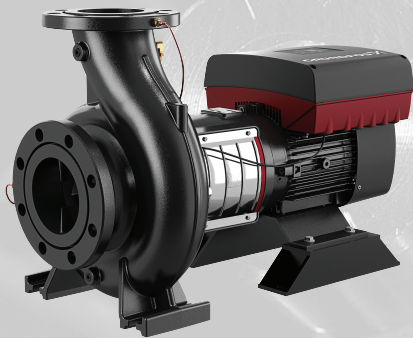


Service Kit Catalogue

2021

NBS, NBSE



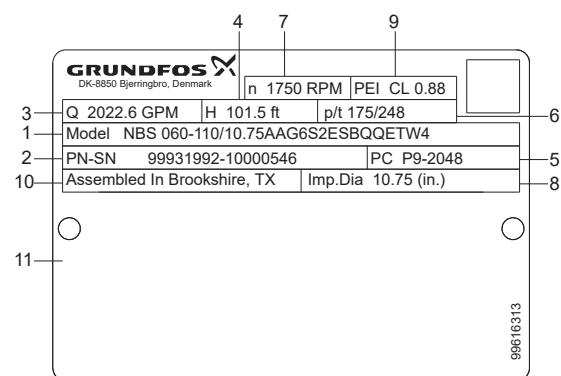
1. NBS, NBSE (60 Hz)	3
Overview of service kits and spares.	3
Nameplate	3
Type key	4
2. Service kits and spares	8
Kit - Pump housing	8
Kit/spare - Wear ring	10
Kit - Nut, washer and key for impeller	12
Spare - Impeller	14
Spare/bulk - Shaft seal and spacer	22
Spare/bulk - O-ring for cover and seal cover.	25
Kit/spare - Cover.	28
Kit - Seal cover	30
Kit - Flushing line	32
Spare - Flow control adapter	32
Kit - Shaft.	33
Spare - Key, coupling (pump side).	35
Kit - Split coupling	36
Kit - Motor stool	38
Kit - Coupling guards.	38
Pump nameplate	40
Kit - Plugs for seal cover and motor stool	40
Kit - Fork tool (positioning tool for pump shaft)	41
Kit - Loose flange	41
Kit - Support rails under pump	42
Kit - Support rails under motor	44
Kit - Sensor for NBSE Series 2000	46
3. Exploded drawings	47

1. NBS, NBSE (60 Hz)

1.1 Overview of service kits and spares

Description	Chapter
Kit - Pump housing	2.1 Kit - Pump housing
Kit/spare - Wear ring	2.2 Kit/spare - Wear ring
Kit - Nut, washer and key for impeller	2.3 Kit - Nut, washer and key for impeller
Spare - Impeller	2.4 Spare - Impeller
Spare/bulk - Shaft seal and spacer	2.5 Spare/bulk - Shaft seal and spacer
Spare/bulk - O-ring for cover and seal cover	2.6 Spare/bulk - O-ring for cover and seal cover
Kit/spare - Cover	2.7 Kit/spare - Cover
Kit - Seal cover	2.8 Kit - Seal cover
Kit - Flushing line	2.9 Kit - Flushing line
Spare - Flow control adapter	2.10 Spare - Flow control adapter
Kit - Shaft	2.11 Kit - Shaft
Spare - Key, coupling (pump side)	2.12 Spare - Key, coupling (pump side)
Kit - Split coupling	2.13 Kit - Split coupling
Kit - Motor stool	2.14 Kit - Motor stool
Kit - Coupling guard	2.15 Kit - Coupling guards
Pump nameplate	2.16 Pump nameplate
Kit - Plugs for seal cover and motor stool	2.17 Kit - Plugs for seal cover and motor stool
Kit - Fork tool (positioning tool for shaft)	2.18 Kit - Fork tool (positioning tool for pump shaft)
Kit - Loose flange	2.19 Kit - Loose flange
Kit - Support rails under pump	2.20 Kit - Support rails under pump
Kit - Support rails under motor	2.21 Kit - Support rails under motor
Kit - Differential pressure sensor	
Spare - Bracket for sensor	2.22 Kit - Sensor for NBSE Series 2000
Kit - Sensor capillary tube	
Spare - Sensor cable	

1.2 Nameplate



Example of NBS nameplate

Pos.	Description
1	Type designation
2	Product number and production serial number
3	Flow
4	Head
5	Production code
6	Pressure and temperature
7	Pump speed
8	Impeller diameter
9	PEI CL: Pump Energy Index, constant load PEI VL: Pump Energy Index, variable load
10	Place of production
11	Field for approval marks and associated texts

1.3 Type key

Example 1: NBS 025-095/08.43AAEG6S3ESBQQETX2

Example 2: NBS 040-150/16.77AFEG7TBESDQQE1X4

Example 3: NBS 060-135/1291-1276AAEG7TBESDQQEWX4

Example 4: NBSE 025-110/11.02ASFEG6S2ESBQQENDA

Example 5: NBSE 030-110/1094-1063ACAEG7S7FSDAQFODA

Pos.	1	2	3	4	5	6	7	8	9	10	11	12	13	14	15	16	17
Example 1	NBS	025	-095	/8.43		A		AE	G	6	S3	E	S	BQQE	T	X	2
Example 2	NBS	040	-150	/16.77		A		FE	G	7	TB	E	S	DQQE	1	X	4
Example 3	NBS	060	-135	/1291-1276		A		AE	G	7	TB	E	S	DQQE	W	X	4
Example 4	NBSE	025	-110	/11.02		A	S	FE	G	6	S2	E	S	BQQE	N	D	A
Example 5	NBSE	030	-110	/1094-1063		A	C	AE	G	7	S7	F	S	DAQF	O	D	A

Pos.	Explanation
1	Type range
2	Nominal diameter of outlet port (DN)
3	Nominal impeller diameter [inch]
4	Actual impeller diameter [inch]
	Impeller type
	'blank': Closed impeller, cylindrical trim. If one dimension is shown, the impeller has a cylindrical trim, for example 11.02
5	'blank': Closed impeller, conical trim. If two dimensions are shown, the impeller has a conical trim, for example 1094-1063 S: Semi-open impeller V: Super vortex impeller
	Hydraulic version
	A: 1st version
6	B: 2nd version C: 3rd version D: 4th version
	Sensor version
7	'blank': Pump without sensor C: Without built-in sensor, one cable and one pressure sensor are supplied with the pump S: Pump with built-in differential-pressure sensor, Series 2000
	Code for pump version; the codes may be combined
	A: Basic version
	B: Oversize motor
8	C: Without motor (+E): With ATEX approval, certificate or test report, the second character of the code for pump version is an E F: Design with base frame (+S): With support rails, the second character of the pump version code is an S X: Special version; used in case of further customisation than already listed
	Pipe connection
9	G: ANSI flange
	Flange pressure rating (PN - rated pressure)
10	5: Other pressure rating 6: Class 125, 175 PSI 7: Class 300, 363 PSI

Pos.	Explanation			
	Code for materials			
	Code	Pump housing	Impeller	Wear ring
	S2	A48 Class 35	304	No wear ring
	S3	A48 Class 35	304	No wear ring
	S4	A48 Class 35	304	No wear ring
	S5	A48 Class 35	304	No wear ring
	S6	A48 Class 35	316	No wear ring
	S7	A48 Class 35	316	No wear ring
	S8	A48 Class 35	316	No wear ring
	S9	A48 Class 35	316	No wear ring
11	SA	70-50-05	304	No wear ring
	SB	70-50-05	304	No wear ring
	SC	70-50-05	304	No wear ring
	SD	70-50-05	304	No wear ring
	SE	70-50-05	316	No wear ring
	SF	70-50-05	316	No wear ring
	SG	70-50-05	316	No wear ring
	SH	70-50-05	316	No wear ring
	T2	A48 Class 35	CD4MCuN/A890	No wear ring
	TA	70-50-05	CD4MCuN/A890	No wear ring
	X	Special version		
	Rubber parts in pump			
	E: EPDM			
	F: FXM (Fluoraz®)			
12	K: FFKM (Kalrez®)			
	M: FEPS (PTFE-sheathed silicone O-ring)			
	O: HNBR			
	V: FKM (Viton®)			
	Shaft seal arrangement			
13	S: Single seal			
	Shaft seal in pump			
14	Letter code for mechanical shaft seal and shaft seal rubber parts. See section Letter codes for shaft seals.			
15	Code for rated motor power [kW]. See section Codes for rated motor power.			
16	Code for phase and voltage [V] or other information. See section Codes for phase and voltage or other information.			
17	Code for speed variant [rpm]. See section Codes for speed variant.			

Related information

[Letter codes for shaft seals](#)

[Codes for rated motor power](#)

[Codes for phase and voltage or other information](#)

[Codes for speed variant](#)

Letter codes for shaft seals

Pos. 14 in NBS type key example.

Code example	Description	Code explanation
B	Shaft seal type	A: O-ring seal with fixed driver B: Rubber bellows seal D: O-ring seal, balanced H: Cartridge seal, balanced
Q	Material of rotating seal face	A: Carbon, metal-impregnated with antimony which is not approved for potable water B: Carbon, resin-impregnated Q: Silicon carbide
Q	Material of stationary seal	A: Carbon, metal-impregnated with antimony which is not approved for potable water Q: Silicon carbide
E	Material of secondary seal and other rubber and composite parts, except the wear ring	E: EPDM V: FKM (Viton®) F: FXM (Fluoraz®) K: FFKM (Kalrez®) X: HNBR U: Dynamic O-rings in FFKM and static O-rings in PTFE

Codes for rated motor power

Pos. 15 in NBSE, NBS type key example.

Code	Description	
	[hp]	[kW]
A	0.16	0.12
B	0.25	0.18
C	0.33	0.25
D	0.5	0.37
E	0.75	0.55
F	1	0.75
G	1.5	1.1
H	2	1.5
I	3	2.2
J	4	3
K	5 (5.5 ¹)	3.7 (4 ¹)
L	7.5	5.5
M	10	7.5
N	15	11
O	20	15
P	25	18.5
Q	30	22
R	40	30
S	50	37
T	60	45
U	75	55
V	100	75
W	125	90
X	Bare pump	
Y	> 200 ²	> 150 ²
1	150	110
2	175	132
3	200	150
4	215 ³	160
5	250 ³	185

¹ Value in bracket is for the standard IEC motor size. Value outside bracket is for the motor size according to NEMA standards.

² Used for pumps where the pump shaft input power exceeds 200 hp (150 kW) and is not regulated under the DOE pump rule.

³ Special cases with power sizes above 200 hp (150 kW) which are still regulated under the DOE pump rule. For example: Pump has a P2 value of 198 hp (147.6 kW) in its duty point (in DOE scope) but customer wants the 215 hp (160 kW) motor instead of the 200 hp (150 kW). The pump is in scope of the DOE regulation and requires a PEI value and a motor code.

Codes for phase and voltage or other information

Pos. 16 in NBSE, NBS type key example.

Code	Description
A	E-motor (ECM ¹), 1 x 200-240 V
B	E-motor (ECM ¹), 3 x 200-240 V
C	E-motor (ECM ¹), 3 x 440-480 V
D	E-motor (ECM ¹), 3 x 380-500 V
V	Intended for use with external VFD only, asynchronous motor
W	Not for sale in North America
X	No motor or US DOE regulated motor (CC marked motor)
Y	Out of DOE scope
Z	E-motor, asynchronous motor

¹ ECM: Electronically Commutated Motor.

Codes for speed variant

Pos. 17 in NBSE, NBS type key example.

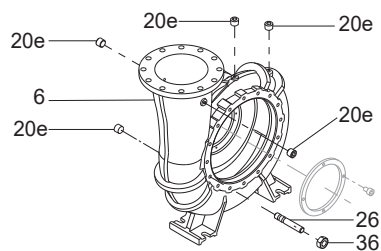
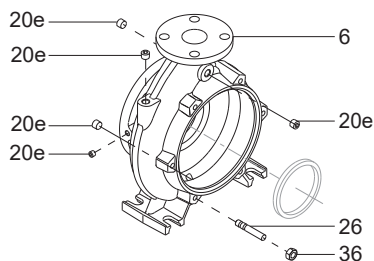
Code	Description
A	1450-2200 RPM, E-motor (ECM ¹)
B	2900-4000 RPM, E-motor (ECM ¹)
C	4000-5900 RPM, E-motor (ECM ¹)
1	2-pole, 50 Hz (Asynchronous motor)
2	2-pole, 60 Hz (Asynchronous motor)
3	4-pole, 50 Hz (Asynchronous motor)
4	4-pole, 60 Hz (Asynchronous motor)
5	6-pole, 50 Hz (Asynchronous motor)
6	6-pole, 60 Hz (Asynchronous motor)
7	8-pole, 50 Hz (Asynchronous motor)
8	8-pole, 60 Hz (Asynchronous motor)

¹ ECM: Electronically Commutated Motor.

2. Service kits and spares

2.1 Kit - Pump housing

Cast iron, low pressure (Class 125)

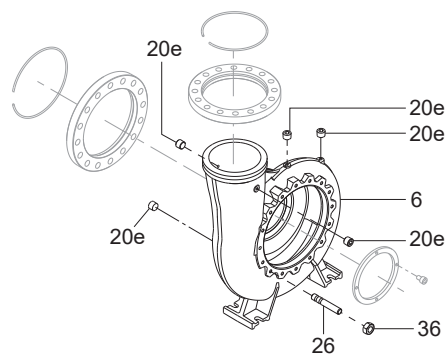
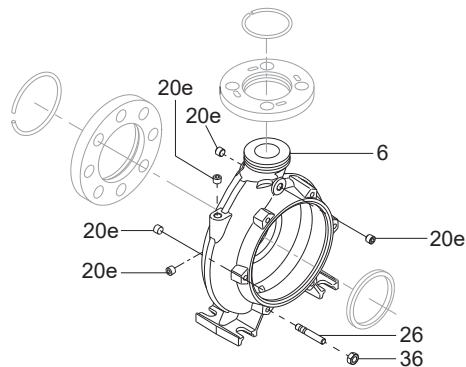


Kit, pump housing, cast iron low pressure (Class 125)

- 6: 1 x pump housing
- 26: Needed number of stay bolts
- 36: Nuts for stay bolts
- 20e: Plugs (for filling, draining, flushing, and pressure outtake)

TM078535

Cast iron, high pressure (Class 300)



Kit, pump housing, cast iron low pressure (Class 300)

- 6: 1 x pump housing
- 26: Needed number of stay bolts
- 36: Nuts for stay bolts
- 20e: Plugs (for filling, draining, flushing, and pressure outtake)

TM078536

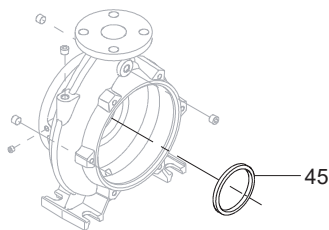
1. Check pressure code	Pump rated pressure, see pos.10 in type key									
	Low pressure (Class 125) = code 6				High pressure (Class 300) = code 7					
2. Check original surface color of wetted parts	Brownish-red primer		Sand blasted metal	Green coating	Brownish-red primer		Sand blasted metal	Green coating		
3. Check approval mark on pump nameplate	No approval mark		NSF compliant	NSF compliant	No approval mark		NSF compliant	NSF compliant		
Pump size	Without wear ring	With wear ring ¹	Without wear ring		With wear ring	Without wear ring	With wear ring ¹	Without wear ring		With wear ring
NBS 012-070	92521491	92521490	92521493	92521492		92521495	92521494	92521497	92521496	
NBS 015-070	92521249	92521248	92521251	92521250		92521254	92521252	92521256	92521255	
NBS 015-090	92521299	92521298	92521301	92521300		92521303	92521302	92521305	92521304	
NBS 015-095	92521291	92521290	92521293	92521292		92521295	92521294	92521297	92521296	
NBS 020-095	92521307	92521306	92521309	92521308		92521311	92521310	92521313	92521312	
NBS 020-110	92521355	92521354	92521357	92521356		92521359	92521358	92521361	92521360	
NBS 020-135	92521403	92521402	92521405	92521404		92521407	92521406	92521409	92521408	
NBS 025-070	92521267	92521266	92521269	92521268		92521271	92521270	92521273	92521272	
NBS 025-095	92521315	92521314	92521317	92521316		92521319	92521318	92521321	92521320	
NBS 025-110	92521363	92521362	92521365	92521364		92521367	92521366	92521369	92521368	
NBS 030-070	92521275	92521274	92521277	92521276		92521279	92521278	92521281	92521280	
NBS 030-095	92521323	92521322	92521325	92521324		92521327	92521326	92521329	92521328	
NBS 030-110	92521371	92521370	92521373	92521372		92521375	92521374	92521377	92521376	
NBS 030-135	92521411	92521410	92521413	92521412		92521415	92521414	92521417	92521416	
NBS 040-070	92521283	92521282	92521285	92521284		92521287	92521286	92521289	92521288	
NBS 040-095	92521331	92521330	92521333	92521332		92521335	92521334	92521337	92521336	
NBS 040-110	92521379	92521378	92521381	92521380		92521383	92521382	92521385	92521384	
NBS 040-135	92521419	92521418	92521421	92521420		92521423	92521422	92521425	92521424	
NBS 040-150	92521451	92521450	92521453	92521452		92521455	92521454	92521457	92521456	
NBS 050-070	92521258	92521257	92521261	92521260		92521263	92521262	92521265	92521264	
NBS 050-095	92521339	92521338	92521341	92521340		92521343	92521342	92521345	92521344	
NBS 050-110	92521387	92521386	92521389	92521388		92521391	92521390	92521393	92521392	
NBS 050-135	92521427	92521426	92521429	92521428		92521431	92521430	92521433	92521432	
NBS 050-150	92521459	92521458	92521461	92521460		92521463	92521462	92521465	92521464	
NBS 060-095	92521347	92521346	92521349	92521348		92521351	92521350	92521353	92521352	
NBS 060-110	92521395	92521394	92521397	92521396		92521399	92521398	92521401	92521400	
NBS 060-135	92521435	92521434	92521437	92521436		92521439	92521438	92521441	92521440	
NBS 060-150	92521467	92521466	92521469	92521468		92521471	92521470	92521473	92521472	
NBS 080-135	92521443	92521442	92521445	92521444		92521447	92521446	92521449	92521448	
NBS 080-150	92521475	92521474	92521477	92521476		92521479	92521478	92521481	92521480	
NBS 100-150	92521483	92521482	92521485	92521484		92521487	92521486	92521489	92521488	

On request, please contact Grundfos

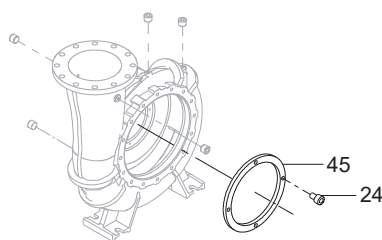
On request, please contact Grundfos

¹ The kit pump housing is machined and prepared for mounting a wear ring. The wear ring should be ordered separately, see kit/spare wear ring section.

2.2 Kit/spare - Wear ring



TM078537



TM060477

Spare, wear ring

45: 1 x wear ring

Kit, wear ring

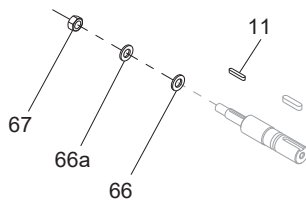
45: 1 x wear ring

24: 4 x socket head cap screw

Pump size	Pole			Wear ring dimensions [mm]	Pump material code							
					x		x		x			
	2 4 6				Wear ring material							
					Brass		Bronze		Cast iron			
			Spare	Kit	Spare	Kit	Spare	Kit	Spare	Kit		
NBS 012-070	•			D63/D77x10	99208775	-	96810098	-	96810122	-		
		•		D63/D77x10	99208775	-	96810098	-	96810122	-		
NBS 015-070	•			D90/D104x10	99208821	-	96810100	-	96810126	-		
		•		D90/D104x10	99208821	-	96810100	-	96810126	-		
NBS 015-090	•			D76/D90x10	99208825	-	96810099	-	96810123	-		
		•		D76/D90x10	99208825	-	96810099	-	96810123	-		
NBS 015-095	•			D76/D90x10	99208825	-	96810099	-	96810123	-		
		•		D76/D90x10	99208825	-	96810099	-	96810123	-		
NBS 020-095	•			D112/D126x10	99208818	-	96810103	-	96810141	-		
		•		D112/D126x10	99208818	-	96810103	-	96810141	-		
NBS 020-110		•		D95/D109x10	99850309	-	99850307	-	99850308	-		
NBS 020-135		•		D95/D109x10	99850309	-	99850307	-	99850308	-		
NBS 025-070	•			D90/D104x10	99208821	-	96810100	-	96810126	-		
		•		D90/D104x10	99208821	-	96810100	-	96810126	-		
NBS 025-095	•			D100/D114x10	99208819	-	96810102	-	96810140	-		
		•	•	D100/D114x10	99208819	-	96810102	-	96810140	-		
NBS 025-110		•	•	D100/D114x10	99208819	-	96810102	-	96810140	-		
NBS 030-070	•			D112/D126x10	99208818	-	96810103	-	96810141	-		
		•		D112/D126x10	99208818	-	96810103	-	96810141	-		
NBS 030-095	•			D112/D126x10	99208818	-	96810103	-	96810141	-		
		•	•	D112/D126x10	99208818	-	96810103	-	96810141	-		
NBS 030-110		•	•	D112/D126x10	99208818	-	96810103	-	96810141	-		
NBS 030-135		•	•	D122/D138x13	99208813	-	96810105	-	96939586	-		
NBS 040-070	•			D122/D136x10	99208817	-	96810104	-	96939585	-		
		•	•	D122/D136x10	99208817	-	96810104	-	96939585	-		
NBS 040-095	•			D130/D144x10	99208815	-	96810106	-	96939587	-		
		•	•	D130/D144x10	99208815	-	96810106	-	96939587	-		
NBS 040-110		•	•	D130/D146x13	99208810	-	96797626	-	96939588	-		
NBS 040-135		•	•	D144/D158x15	99208748	-	96810107	-	96939589	-		
NBS 040-150		•	•	D174/D188x15	99208745	-	96810108	-	96939591	-		
NBS 050-070	•			D144/D158x15	99208748	-	96810107	-	96939589	-		
		•	•	D144/D158x15	99208748	-	96810107	-	96939589	-		
NBS 050-095		•	•	D174/D188x15	99208745	-	96810108	-	96939591	-		
NBS 050-110		•	•	D154/D168x15	99208807	-	96797628	-	96939590	-		
NBS 050-135		•	•	D154/D168x15	99208807	-	96797628	-	96939590	-		
NBS 050-150		•	•	D185/D199x15	99208792	-	96810109	-	96939602	-		
NBS 060-095		•	•	D185/D199x15	99208792	-	96810109	-	96939602	-		
NBS 060-110		•	•	D185/D199x15	99208792	-	96810109	-	96939602	-		
NBS 060-135		•	•	D200/D214x15	99208786	-	96810110	-	96939603	-		

Pump size	Pole			Wear ring dimensions [mm]	Pump material code					
	2	4	6		x		x		x	
					Wear ring material					
					Brass		Bronze		Cast iron	
					Spare	Kit	Spare	Kit	Spare	Kit
NBS 060-150	•	•	•	D210/D224x15	99208749	-	96810111	-	96939604	-
NBS 080-135	•	•	•	D224/D238x15	99208743	-	96810112	-	96939605	-
NBS 080-150	•	•	•	D222/D272x15	-	96939611	-	-	-	96939606
NBS 100-150	•	•	•	D240/D290x15	-	96939613	-	92526540	-	96939608

2.3 Kit - Nut, washer and key for impeller



TM078538

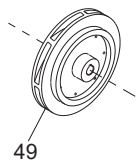
Kit, nut, washer and key for impeller

- 11: 1 x key
 67: 1 x hex nut
 66a: 1 x lock washer
 66: 1 x washer

Pump size	Pole			Pump material code		
				S2, S3, S6, S7, SA, SB, SE, SF	S4, S8, SC, SG	S5, S9, SD, SH
	Nut, washer and key material			304 (1.4301)	316 (1.4401)	904 (1.4462)
NBS 012-070	•			92521562	92521567	92521572
		•		92521562	92521567	92521572
NBS 015-070	•			92521559	96939128	96939129
		•		92521562	92521567	92521572
NBS 015-090	•			92521559	96939128	96939129
		•		92521559	96939128	96939129
NBS 015-095	•			92521559	96939128	96939129
		•		92521559	96939128	96939129
NBS 020-095	•			95046322	92521565	96939131
		•		92521559	96939128	96939129
NBS 020-110		•		92521559	96939128	96939129
NBS 020-135		•		95046322	92521565	96939131
NBS 025-070	•			92521559	96939128	96939129
		•		92521562	92521567	92521572
NBS 025-095	•			95046322	92521565	96939131
		•	•	92521559	96939128	96939129
NBS 025-110		•	•	95046322	92521565	96939131
NBS 030-070	•			92521559	96939128	96939129
		•		92521562	92521567	92521572
NBS 030-095	•			95046322	92521565	96939131
		•	•	92521559	96939128	96939129
NBS 030-110		•	•	95046322	92521565	96939131
NBS 030-135		•	•	95046322	92521565	96939131
NBS 040-070	•			92521559	96939128	96939129
		•	•	92521559	96939128	96939129
NBS 040-095	•			95046322	92521565	96939131
		•	•	92521559	96939128	96939129
NBS 040-110		•	•	95046322	92521565	96939131
NBS 040-135		•	•	95046322	92521565	96939131
NBS 040-150		•	•	95046323	96939132	96939133
NBS 050-070	•			92521559	96939128	96939129
		•	•	92521559	96939128	96939129
NBS 050-095		•	•	95046322	92521565	96939131
NBS 050-110		•	•	95046322	92521565	96939131
NBS 050-135		•	•	95046323	96939132	96939133
NBS 050-150		•	•	95046323	96939132	96939133

Pump size	Pole			Pump material code		
				S2, S3, S6, S7, SA, SB, SE, SF	S4, S8, SC, SG	S5, S9, SD, SH
	2	4	6	Nut, washer and key material		
			304 (1.4301)	316 (1.4401)	904 (1.4462)	
NBS 060-095	•	•		95046322	92521565	96939131
NBS 060-110	•	•		95046323	96939132	96939133
NBS 060-135	•	•		95046323	96939132	96939133
NBS 060-150	•	•		92521563	96939134	96939135
NBS 080-135	•	•		95046323	96939132	96939133
NBS 080-150	•	•		92521563	96939134	96939135
NBS 100-150	•	•		92521563	96939134	96939135

2.4 Spare - Impeller



TM078777

Spare, impeller

49: 1 x impeller

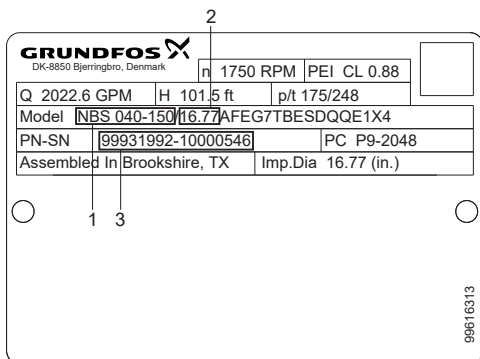
When ordering a spare impeller and the required trim falls between one of those mentioned in the overview, please inform Grundfos about the following nameplate data:

- pump type and size (pos.1)
- actual impeller trim, as indicated after the pump size (pos.2)
- product number and production serial number (PN-SN) (pos.3).

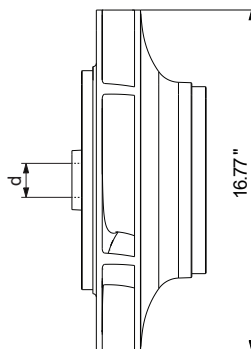
See the nameplate and impeller examples below.

This enables Grundfos to produce an exact match of the installed impeller.

Cylindrical trim impeller

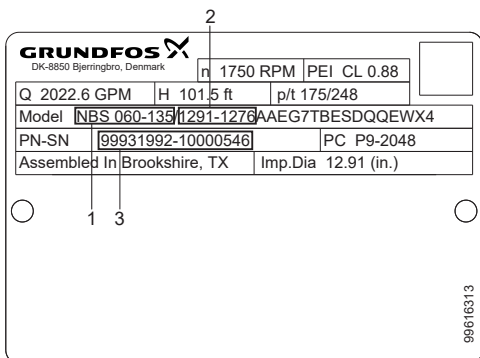


TM078938

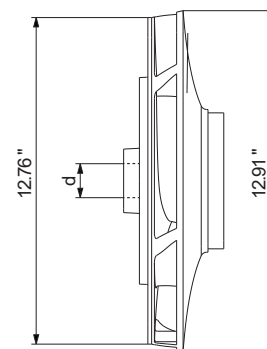


TM078940

Angle trim impeller



TM078939



TM078941

Pump size	Pole	Actual impeller trim [inch]	P2 [hp]	Pump material code			Impeller bore, d [mm]
				S2, S3, S4, S5, SA, SB, SC, SD	S6, S7, S8, S9, SE, SF, SG, SH	T2, TA	
				Impeller material			
				304 (1.4308)	316 (1.4408)	904 (1.4517)	
NBS 012-070	2	6.97	15	92526547	92526564	92553810	16
	2	6.65	15	92526548	92526565	92553811	16
	2	6.42	10	92600196	92600198	92600200	16
	2	6.10	7.5	92526549	92526566	92553812	16
	2	5.47	7.5	92526560	92526567	92553813	16
	2	5.00	5	92600195	92600197	92600199	16
	2	4.69	3	92526561	92526568	92553814	16
	4	6.97	1.5	92526547	92526564	92553810	16
	4	6.10	1	92526549	92526566	92553812	16
	4	5.71	1	92526562	92526570	92553815	16
	4	5.16	1	92526563	92526571	92553816	16

Pump size	Pole	Actual impeller trim [inch]	P2 [hp]	Pump material code			Impeller bore, d [mm]
				S2, S3, S4, S5, SA, SB, SC, SD	S6, S7, S8, S9, SE, SF, SG, SH	T2, TA	
				Impeller material			
				304 (1.4308)	316 (1.4408)	904 (1.4517)	
NBS 015-070	2	6.93	20	92526572	92526584	92553817	24
	2	6.30	15	92526573	92526585	92553818	24
	2	5.59	10	92526574	92526586	92553819	24
	2	5.04	7.5	92526576	92526587	92553820	24
	2	4.49	5	92526577	92526588	92553821	24
	4	6.93	3	92526578	92526590	92553822	16
	4	6.54	2	92526579	92526591	92553823	16
	4	5.91	1.5	92526580	92526592	92553824	16
	4	5.12	1	92526581	92526593	92553825	16
	4	4.65	1	92526582	92526594	92553826	16
NBS 015-090	2	9.84	40	92526596	92526606	92553827	24
	2	8.82	30	92526597	92526608	92553828	24
	2	8.27	25	92526598	92526609	92553829	24
	2	7.80	20	92526599	92526610	92553830	24
	2	7.09	15	92526600	92526611	92553831	24
	4	9.84	5	92526602	92526612	92553832	24
	4	8.11	3	92526603	92526613	92553833	24
	4	7.24	2	92526604	92526614	92553834	24
	4	6.69	1.5	92526605	92526615	92553835	24
	NBS 015-095	2	9.69	50	92526616	92526626	92553836
2		8.82	40	92526617	92526627	92553837	24
2		7.87	30	92526618	92526628	92553838	24
2		7.48	25	92526619	92526629	92553839	24
2		7.01	20	92526620	92526630	92553840	24
2		6.46	15	92526621	92526631	92553841	24
4		9.84	7.5	92526622	92526632	92553842	24
4		8.82	5	92526623	92526633	92553843	24
4		7.32	3	92526624	92526634	92553844	24
4		6.54	2	92526625	92526635	92553845	24
NBS 020-095	2	9.45	75	92526636	92526648	92553846	32
	2	8.90	60	92526637	92526649	92553847	32
	2	8.58	50	92526638	92526650	92553848	32
	2	8.03	40	92526639	92526651	92553849	32
	2	7.17	30	92526640	92526652	92553850	32
	2	6.77	25	92526641	92526653	92553851	32
	2	6.30	20	92526642	92526654	92553852	32
	2	5.75	15	92526643	92526655	92553853	32
	4	9.45	7.5	92526644	92526656	92553854	24
	4	8.11	5	92526645	92526657	92553855	24
	4	6.61	3	92526646	92526658	92553856	24
	4	5.83	2	92526647	92526659	92553857	24
NBS 020-110	4	10.31	15	92526660	92526664	92553858	24
	4	9.92	10	92526661	92526665	92553859	24
	4	8.98	7.5	92526662	92526666	92553860	24
	4	8.11	5	92526663	92526667	92553861	24
NBS 020-135	4	13.39-13.23	25	92526668	92526673	92553884	32
	4	12.52	20	92526669	92526674	92553885	32
	4	11.42	15	92526670	92526675	92553886	32
	4	10.16	10	92526671	92526676	92553887	32
	4	9.29	7.5	92526672	92526677	92553888	32

Pump size	Pole	Actual impeller trim [inch]	P2 [hp]	Pump material code			Impeller bore, d [mm]	
				S2, S3, S4, S5, SA, SB, SC, SD		S6, S7, S8, S9, SE, SF, SG, SH		T2, TA
				Impeller material				
				304 (1.4308)	316 (1.4408)	904 (1.4517)		
NBS 025-070	2	6.77	30	92526678	92526689	92553889	24	
	2	6.61	25	92526679	92526690	92553890	24	
	2	6.30	20	92526680	92526691	92553891	24	
	2	5.67	15	92526681	92526692	92553892	24	
	2	4.96	10	92526682	92526693	92553893	24	
	2	4.57	7.5	92526683	92526694	92553895	24	
	4	6.77	5	92526684	92526695	92553896	16	
	4	6.61	3	92526685	92526696	92553897	16	
	4	5.83	2	92526686	92526697	92553898	16	
	4	5.28	1.5	92526687	92526698	92553899	16	
	4	4.65	1	92526688	92526699	92553900	16	
NBS 025-095	2	9.53	75	92526700	92526714	92553901	32	
	2	9.37	75	92526701	92526715	92553902	32	
	2	8.43	60	92526702	92526716	92553903	32	
	2	7.80	50	92526703	92526717	92553904	32	
	2	7.17	40	92526704	92526718	92553905	32	
	2	6.30	30	92526705	92526719	92553906	32	
	2	5.98	25	92526706	92526720	92553907	32	
	4	9.53	10	92526707	92526721	92553908	24	
	4	8.43	7.5	92526708	92526722	92553909	24	
	4	7.17	5	92526709	92526723	92553910	24	
	4	5.98	3	92526710	92526724	92553911	24	
	6	9.53	3	92526707	92526721	92553908	24	
	6	8.19	2	92526711	92526725	92553912	24	
	6	7.17	1.5	92526709	92526723	92553913	24	
6	6.06	1	92526713	92526727	92553914	24		
NBS 025-110	4	11.02	15	92526728	92526733	92553915	32	
	4	9.45	10	92526729	92526734	92553916	32	
	4	8.58	7.5	92526730	92526735	92553917	32	
	6	11.02	5	92526728	92526733	92553915	32	
	6	9.61	3	92526731	92526736	92553918	32	
	6	8.43	2	92526732	92526737	92553919	32	
NBS 030-070	2	6.85	40	92526738	92526747	92553920	24	
	2	6.30	30	92526739	92526748	92553921	24	
	2	5.83	25	92526740	92526749	92553922	24	
	2	5.59	20	92526741	92526750	92553923	24	
	2	5.04	15	92526742	92526751	92553925	24	
	4	6.85	5	92526743	92526752	92553926	16	
	4	5.83	3	92526744	92526753	92553927	16	
	4	5.20	2	92526745	92526754	92553928	16	
4	4.72	1.5	92526746	92526755	92553929	16		

Pump size	Pole	Actual impeller trim [inch]	P2 [hp]	Pump material code			Impeller bore, d [mm]	
				S2, S3, S4, S5, SA, SB, SC, SD		S6, S7, S8, S9, SE, SF, SG, SH		T2, TA
				Impeller material				
				304 (1.4308)	316 (1.4408)	904 (1.4517)		
NBS 030-095	2	8.86	125	92526756	92526768	92553930	32	
	2	8.07	100	92526757	92526769	92553931	32	
	2	7.36	75	92526758	92526770	92553932	32	
	2	6.89	60	92526759	92526771	92553933	32	
	2	6.50	50	92526760	92526772	92553934	32	
	2	6.10	40	92526761	92526773	92553935	32	
	4	8.86	15	92526762	92526774	92553936	24	
	4	7.52	10	92526763	92526775	92553937	24	
	4	6.73	7.5	92526764	92526776	92553938	24	
	4	6.10	5	92526765	92526777	92553939	24	
	6	8.86	5	92526762	92526774	92553936	24	
	6	7.52	3	92526763	92526775	92553937	24	
	6	6.57	2	92526766	92526778	92553940	24	
	6	6.02	1.5	92526767	92526779	92553941	24	
NBS 030-110	4	10.94-10.63	20	92526780	92526785	92553942	32	
	4	9.76-9.45	15	92526781	92526786	92553943	32	
	4	8.5-8.19	10	92526782	92526787	92553944	32	
	6	10.94-10.63	7.5	92526780	92526785	92553942	32	
	6	10.47-10.16	5	92526783	92526788	92553945	32	
	6	8.58-8.27	3	92526784	92526789	92553946	32	
NBS 030-135	4	12.91	40	92526800	92526807	92553947	32	
	4	11.26	30	92526801	92526808	92553948	32	
	4	10.63	25	92526802	92526809	92553949	32	
	4	9.92	20	92526803	92526810	92553950	32	
	4	8.98	15	92526804	92526811	92553951	32	
	6	12.91	15	92526800	92526807	92553947	32	
	6	11.73	10	92526805	92526812	92553952	32	
	6	10.55	7.5	92526806	92526813	92553953	32	
	6	8.98	5	92526804	92526811	92553951	32	
NBS 040-070	2	6.77	50	92526814	92526827	92553954	24	
	2	6.30	40	92526816	92526828	92553955	24	
	2	5.75	30	92526817	92526829	92553956	24	
	2	5.51	25	92526818	92526830	92553957	24	
	2	5.12	20	92526819	92526831	92553958	24	
	4	6.85	7.5	92526820	92526832	92553959	24	
	4	6.30	5	92526821	92526833	92553960	24	
	4	5.43	3	92526822	92526834	92553961	24	
	4	5.12-4.33	2	92526823	92526835	92553962	24	
	6	6.85	2	92526820	92526832	92553959	24	
	6	6.14	1.5	92526824	92526836	92553963	24	
	6	5.51	1	92526825	92526837	92553964	24	
	6	5.12-4.8	1	92526826	92526838	92553965	24	

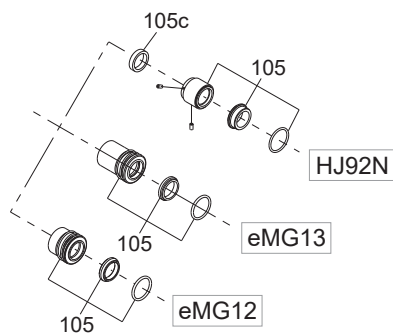
Pump size	Pole	Actual impeller trim [inch]	P2 [hp]	Pump material code			Impeller bore, d [mm]	
				S2, S3, S4, S5, SA, SB, SC, SD		S6, S7, S8, S9, SE, SF, SG, SH		T2, TA
				Impeller material				
				304 (1.4308)	316 (1.4408)	904 (1.4517)		
NBS 040-095	2	8.35	125	92526839	92526849	92553966	32	
	2	7.72	100	92526840	92526860	92553967	32	
	2	6.93	75	92526841	92526861	92553968	32	
	2	6.46	60	92526842	92526862	92553969	32	
	4	9.37	20	92526843	92526863	92553980	24	
	4	8.35	15	92526844	92526864	92553981	24	
	4	7.09	10	92526845	92526865	92553982	24	
	4	6.38	7.5	92526846	92526866	92553983	24	
	6	9.37	7.5	92526843	92526863	92553980	24	
	6	8.98	5	92526847	92526867	92553984	24	
	6	7.09	3	92526845	92526865	92553982	24	
	6	6.30	2	92526848	92526868	92553985	24	
NBS 040-110	4	10.08	30	92526869	92526876	92553986	32	
	4	9.45	25	92526870	92526877	92553987	32	
	4	8.74	20	92526871	92526878	92553988	32	
	4	8.11	15	92526872	92526879	92553989	32	
	6	10.08	10	92526869	92526876	92553986	32	
	6	9.37	7.5	92526873	92526880	92553990	32	
	6	8.35	5	92526874	92526881	92553991	32	
	6	7.17	3	92526875	92526882	92553992	32	
NBS 040-135	4	12.83	50	92526883	92526892	92553993	32	
	4	11.81	40	92526884	92526893	92553994	32	
	4	10.94	30	92526885	92526894	92553996	32	
	4	10.24	25	92526886	92526895	92553997	32	
	4	9.29	20	92526887	92526896	92553998	32	
	6	12.60	15	92526888	92526897	92553999	32	
	6	11.18	10	92526889	92526898	92554000	32	
	6	10.16	7.5	92526890	92526900	92554001	32	
	6	8.74	5	92526891	92526901	92554002	32	
NBS 040-150	4	16.77	150	92526902	92526913	92554003	42	
	4	16.14	125	92526903	92526914	92554004	42	
	4	15.28	100	92526904	92526915	92554005	42	
	4	14.02	75	92526905	92526916	92554006	42	
	4	13.07	60	92526906	92526917	92554007	42	
	4	12.36	50	92526907	92526918	92554008	42	
	6	16.69	40	92526908	92526919	92554009	42	
	6	15.35	30	92526909	92526920	92554010	42	
	6	14.57	25	92526910	92526921	92554011	42	
	6	13.46	20	92526911	92526922	92554012	42	
	6	12.36	15	92526907	92526918	92554013	42	

Pump size	Pole	Actual impeller trim [inch]	P2 [hp]	Pump material code			Impeller bore, d [mm]	
				S2, S3, S4, S5, SA, SB, SC, SD		S6, S7, S8, S9, SE, SF, SG, SH		T2, TA
				Impeller material				
				304 (1.4308)	316 (1.4408)	904 (1.4517)		
NBS 050-070	2	6.93	75	92526924	92526937	92554014	24	
	2	6.77	60	92526925	92526938	92554015	24	
	2	6.46	50	92526926	92526939	92554016	24	
	2	6.06	40	92526927	92526940	92554017	24	
	2	5.98-4.88	30	92526928	92526941	92554018	24	
	2	5.59-4.49	25	92526929	92526942	92554019	24	
	4	6.93	10	92526931	92526944	92554021	24	
	4	6.61	7.5	92526932	92526945	92554022	24	
	4	6.06	5	92526933	92526946	92554023	24	
	4	5.43-4.33	3	92526934	92526947	92554024	24	
	6	6.93	3	92526931	92526944	92554021	24	
	6	6.61	2	92526932	92526945	92554022	24	
	6	6.06	1.5	92526933	92526946	92554023	24	
	6	5.91-4.17	1	92526935	92526948	92554025	24	
	6	5.28-4.17	1	92526936	92526949	92554026	24	
NBS 050-095	4	9.13	30	92526950	92542914	92554027	32	
	4	8.74	25	92526951	92542915	92554028	32	
	4	8.19	20	92526952	92542916	92554029	32	
	4	7.40	15	92526953	92542917	92554030	32	
	4	6.85-6.06	10	92542912	92542918	92554031	32	
	6	9.13	10	92526950	92542914	92554027	32	
	6	8.74	7.5	92526951	92542915	92554028	32	
	6	7.72	5	92542913	92542919	92554032	32	
NBS 050-110	6	6.85-6.06	3	92542912	92542918	92554031	32	
	4	10.63	40	92542920	92542927	92554033	32	
	4	9.61	30	92542921	92542928	92554034	32	
	4	9.06	25	92542922	92542929	92554036	32	
	4	8.35	20	92542923	92542930	92554037	32	
	6	10.63	15	92542920	92542927	92554033	32	
	6	10.00	10	92542924	92542931	92554038	32	
	6	8.90	7.5	92542925	92542932	92554039	32	
NBS 050-135	6	8.11	5	92542926	92542933	92554040	32	
	4	13.11-12.95	75	92542934	92542943	92554041	42	
	4	12.01	60	92542935	92542944	92554042	42	
	4	11.30	50	92542936	92542945	92554043	42	
	4	10.59	40	92542937	92542946	92554044	42	
	4	9.49	30	92542938	92542947	92554045	42	
	4	8.86	25	92542939	92542948	92554046	42	
	6	12.48	20	92542940	92542949	92554047	42	
	6	11.30	15	92542936	92542945	92554048	42	
NBS 050-150	6	9.80	10	92542942	92542951	92554049	42	
	4	14.96	150	92542952	92542961	92554050	42	
	4	14.09	125	92542953	92542962	92554051	42	
	4	12.99	100	92542954	92542963	92554052	42	
	4	11.73	75	92542955	92542964	92554053	42	
	6	16.14	60	92542956	92542965	92554054	42	
	6	15.59	50	92542957	92542966	92554055	42	
	6	14.49	40	92542958	92542967	92554056	42	
6	13.15	30	92542959	92542968	92554057	42		
6	12.28	25	92542960	92542969	92554058	42		

Pump size	Pole	Actual impeller trim [inch]	P2 [hp]	Pump material code			Impeller bore, d [mm]		
				S2, S3, S4, S5, SA, SB, SC, SD		S6, S7, S8, S9, SE, SF, SG, SH		T2, TA	
				Impeller material					
				304 (1.4308)		316 (1.4408)		904 (1.4517)	
NBS 060-095	4	9.53	40	92542970	92542978	92554059	32		
	4	8.90	30	92542971	92542979	92554060	32		
	4	8.43	25	92542972	92542980	92554061	32		
	4	7.95	20	92542973	92542981	92554062	32		
	4	7.32	15	92542974	92542982	92554063	32		
	6	9.53	15	92542970	92542978	92554059	32		
	6	9.21	10	92542975	92542983	92554064	32		
	6	8.50	7.5	92542976	92542984	92554065	32		
	6	7.56	5	92542977	92542985	92554066	32		
NBS 060-110	4	10.75	60	92542986	92542992	92554067	42		
	4	10.20	50	92542987	92542993	92554068	42		
	4	9.57	40	92542988	92542994	92554069	42		
	4	8.78	30	92542989	92542995	92554070	42		
	6	10.75	20	92542986	92542992	92554067	42		
	6	10.20	15	92542987	92542993	92554068	42		
	6	9.17	10	92542990	92542996	92554071	42		
	6	8.39	7.5	92542991	92542997	92554072	42		
NBS 060-135	4	12.91-12.76	125	92542998	92543009	92554073	42		
	4	12.24	100	92542999	92543010	92554074	42		
	4	11.22	75	92543000	92543011	92554075	42		
	4	10.35	60	92543001	92543012	92554076	42		
	4	9.96	50	92543002	92543013	92554077	42		
	4	9.25	40	92543003	92543014	92554078	42		
	6	12.48-12.32	30	92543004	92543015	92554079	42		
	6	11.54	25	92543005	92543016	92554080	42		
	6	10.75	20	92543006	92543017	92554081	42		
	6	9.80	15	92543007	92543018	92554082	42		
	6	8.70	10	92543008	92543019	92554083	42		
NBS 060-150	4	15.83	250	92543020	92543028	92554084	48		
	4	14.80	200	92543021	92543029	92554085	48		
	4	12.83	150	92543022	92543030	92554086	48		
	4	11.97	125	92543023	92543031	92554087	48		
	6	16.93	100	92543024	92543032	92554088	48		
	6	16.06	75	92557190	92557191	92557192	48		
	6	14.88	60	92543025	92543033	92554089	48		
	6	13.70	50	92543026	92543034	92554090	48		
	6	12.44	40	92543027	92543035	92554091	48		
NBS 080-135	4	12.60	150	92543036	92543046	92554092	42		
	4	11.89	125	92543037	92543047	92554093	42		
	4	11.26	100	92543038	92543048	92554094	42		
	4	10.31	75	92543039	92543049	92554095	42		
	4	9.84	60	92543040	92543050	92554096	42		
	6	13.15	50	92543041	92543051	92554097	42		
	6	12.28	40	92543042	92543052	92554098	42		
	6	11.26	30	92543038	92543048	92554094	42		
	6	10.79	25	92543043	92543053	92554099	42		
	6	10.16	20	92543044	92543054	92554100	42		
6	9.29	15	92543045	92543055	92554101	42			

Pump size	Pole	Actual impeller trim [inch]	P2 [hp]	Pump material code			Impeller bore, d [mm]
				S2, S3, S4, S5, SA, SB, SC, SD	S6, S7, S8, S9, SE, SF, SG, SH	T2, TA	
				Impeller material			
				304 (1.4308)	316 (1.4408)	904 (1.4517)	
NBS 080-150	4	15.59	250	92543056	92543062	92554102	48
	4	14.25	200	92543057	92543063	92554103	48
	4	12.99	150	92543058	92543064	92554104	48
	4	12.20	125	92543059	92543065	92554105	48
	6	15.59	75	92543056	92543062	92554102	48
	6	14.25	60	92543057	92543063	92554103	48
	6	13.46	50	92543060	92543066	92554106	48
	6	12.60	40	92543061	92543067	92554107	48
NBS 100-150	4	14.76	250	92543068	92543075	92554108	48
	4	13.66	200	92543069	92543076	92554109	48
	4	12.48	150	92543070	92543077	92554110	48
	6	16.34	100	92543071	92543078	92554111	48
	6	14.92	75	92543072	92543079	92554112	48
	6	13.82	60	92543073	92543080	92554113	48
	6	12.95	50	92543074	92543081	92554114	48

2.5 Spare/bulk - Shaft seal and spacer



TM078775

Spare, shaft seal

105: 1 x shaft seal

Bulk, shaft seal

105: 5 x shaft seal

Spare, spacer

105c 1 x spacer

NBS/NBSE pump size	Pole			Seal inner dia. [mm]	Installed type	Shaft seal (pos. 105)					
	2	4	6			BQQE		BQQV		BAQE	
						Spare (1 pcs)	38	eMG13	Bulk (5 pcs)	Spare (1 pcs)	Bulk (5 pcs)
012-070	•			28	eMG13	99884645	99380916	98434905	92514269	96488302	99380919
		•		28	eMG13	99884645	99380916	98434905	92514269	96488302	99380919
015-070	•			28	eMG13	99884645	99380916	98434905	92514269	96488302	99380919
		•		28	eMG13	99884645	99380916	98434905	92514269	96488302	99380919
015-090	•			38	eMG13	98434906	92514302	98434908	92514301	96537605	99615415
		•		28	eMG13	99884645	99380916	98434905	92514269	96488302	99380919
015-095	•			38	eMG13	98434906	92514302	98434908	92514301	96537605	99615415
		•		28	eMG13	99884645	99380916	98434905	92514269	96488302	99380919
020-095	•			38	eMG12	97904623	92526480	92526462	92526481	92526463	92526482
		•		28	eMG13	99884645	99380916	98434905	92514269	96488302	99380919
020-110		•		28	eMG13	99884645	99380916	98434905	92514269	96488302	99380919
020-135		•		38	eMG13	98434906	92514302	98434908	92514301	96537605	99615415
025-070	•			28	eMG13	99884645	99380916	98434905	92514269	96488302	99380919
		•		28	eMG13	99884645	99380916	98434905	92514269	96488302	99380919
025-095	•			38	eMG12	97904623	92526480	92526462	92526481	92526463	92526482
		•	•	28	eMG13	99884645	99380916	98434905	92514269	96488302	99380919
025-110		•	•	38	eMG13	98434906	92514302	98434908	92514301	96537605	99615415
030-070	•			28	eMG13	99884645	99380916	98434905	92514269	96488302	99380919
		•		28	eMG13	99884645	99380916	98434905	92514269	96488302	99380919
030-095	•			38	eMG13	98434906	92514302	98434908	92514301	96537605	99615415
		•	•	28	eMG13	99884645	99380916	98434905	92514269	96488302	99380919
030-110		•	•	38	eMG13	98434906	92514302	98434908	92514301	96537605	99615415
030-135		•	•	38	eMG13	98434906	92514302	98434908	92514301	96537605	99615415
040-070	•			38	eMG13	98434906	92514302	98434908	92514301	96537605	99615415
		•	•	28	eMG13	99884645	99380916	98434905	92514269	96488302	99380919
040-095	•			38	eMG13	98434906	92514302	98434908	92514301	96537605	99615415
		•	•	28	eMG13	99884645	99380916	98434905	92514269	96488302	99380919
040-110		•	•	38	eMG13	98434906	92514302	98434908	92514301	96537605	99615415
040-135		•	•	38	eMG13	98434906	92514302	98434908	92514301	96537605	99615415
040-150		•	•	48	eMG13	98434909	92514334	98434941	92514333	96306472	99615417

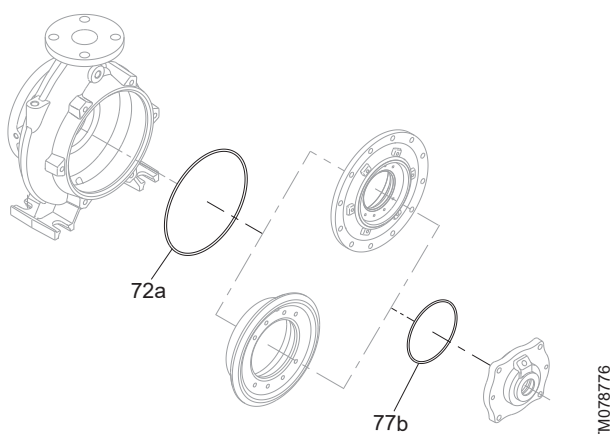
NBS/NBSE pump size	Pole			Seal inner dia. [mm]	Installed type	Shaft seal (pos. 105)					
						BQQE		BQQV		BAQE	
	2	4	6			Spare (1 pcs)	38	eMG13	Bulk (5 pcs)	Spare (1 pcs)	Bulk (5 pcs)
	050-070	•					38	eMG13	98434906	92514302	98434908
		•	•	28	eMG13	99884645	99380916	98434905	92514269	96488302	99380919
050-095		•	•	48	eMG13	98434909	92514334	98434941	92514333	96306472	99615417
050-110		•	•	38	eMG13	98434906	92514302	98434908	92514301	96537605	99615415
050-135		•	•	48	eMG13	98434909	92514334	98434941	92514333	96306472	99615417
050-150		•	•	48	eMG13	98434909	92514334	98434941	92514333	96306472	99615417
060-095		•	•	48	eMG13	98434909	92514334	98434941	92514333	96306472	99615417
060-110		•	•	48	eMG13	98434909	92514334	98434941	92514333	96306472	99615417
060-135		•	•	48	eMG13	98434909	92514334	98434941	92514333	96306472	99615417
060-150		•	•	55	eMG13	98434943	92514388	98434944	92514387	96306475	99707259
080-135		•	•	48	eMG13	98434909	92514334	98434941	92514333	96306472	99615417
080-150		•	•	55	eMG13	98434943	92514388	98434944	92514387	96306475	99707259
100-150		•	•	55	eMG13	98434943	92514388	98434944	92514387	96306475	99707259

Pump size	Pole			Seal inner dia. [mm]	Installed type	Pump rated pressure, see pos.10 in type key							
						High pressure (Class 300) = code 7							
	2		4			6		Shaft seal (pos. 105)			Spacer (pos. 105c)		
								DQQE		DAQF		DQQE-NSF	
Spare (1 pcs)		Bulk co (5 pcs)		Spare (1 pcs)		Bulk (5 pcs)		Spare (1 pcs)		Bulk (5 pcs)		Spare	Spare
NBS 012-070	•			28	HJ92N	97769895	92514258	96548355	92514233	92526474	92526491	96938597	96938598
		•		28	HJ92N	97769895	92514258	96548355	92514233	92526474	92526491	96938597	96938598
NBS 015-070	•			28	HJ92N	97769895	92514258	96548355	92514233	92526474	92526491	96938597	96938598
		•		28	HJ92N	97769895	92514258	96548355	92514233	92526474	92526491	96938597	96938598
NBS 015-090	•			38	HJ92N	97769897	92514291	96548359	92514274	92526475	92526492	96938599	96938600
		•		28	HJ92N	97769895	92514258	96548355	92514233	92526474	92526491	96938597	96938598
NBS 015-095	•			38	HJ92N	97769897	92514291	96548359	92514274	92526475	92526492	96938599	96938600
		•		28	HJ92N	97769895	92514258	96548355	92514233	92526474	92526491	96938597	96938598
NBS 020-095	•			38	HJ92N	97769897	92514291	96548359	92514274	92526476	92526493	1)	1)
		•		28	HJ92N	97769895	92514258	96548355	92514233	92526474	92526491	96938597	96938598
NBS 020-110		•		28	HJ92N	97769895	92514258	96548355	92514233	92526474	92526491	96938597	96938598
NBS 020-135		•		38	HJ92N	97769897	92514291	96548359	92514274	92526475	92526492	96938599	96938600
NBS 025-070	•			28	HJ92N	97769895	92514258	96548355	92514233	92526474	92526491	96938597	96938598
		•		28	HJ92N	97769895	92514258	96548355	92514233	92526474	92526491	96938597	96938598
NBS 025-095	•			38	HJ92N	97769897	92514291	96548359	92514274	92526476	92526493	1)	1)
		•	•	28	HJ92N	97769895	92514258	96548355	92514233	92526474	92526491	96938597	96938598
NBS 025-110		•	•	38	HJ92N	97769897	92514291	96548359	92514274	92526475	92526492	96938599	96938600
NBS 030-070	•			28	HJ92N	97769895	92514258	96548355	92514233	92526474	92526491	96938597	96938598
		•		28	HJ92N	97769895	92514258	96548355	92514233	92526474	92526491	96938597	96938598
NBS 030-095	•			38	HJ92N	97769897	92514291	96548359	92514274	92526475	92526492	96938599	96938600
		•	•	28	HJ92N	97769895	92514258	96548355	92514233	92526474	92526491	96938597	96938598
NBS 030-110		•	•	38	HJ92N	97769897	92514291	96548359	92514274	92526475	92526492	96938599	96938600
NBS 030-135		•	•	38	HJ92N	97769897	92514291	96548359	92514274	92526475	92526492	96938599	96938600
NBS 040-070	•			38	HJ92N	97769897	92514291	96548359	92514274	92526475	92526492	96938599	96938600
		•	•	28	HJ92N	97769895	92514258	96548355	92514233	92526474	92526491	96938597	96938598
NBS 040-095	•			38	HJ92N	97769897	92514291	96548359	92514274	92526475	92526492	96938599	96938600
		•	•	28	HJ92N	97769895	92514258	96548355	92514233	92526474	92526491	96938597	96938598
NBS 040-110		•	•	38	HJ92N	97769897	92514291	96548359	92514274	92526475	92526492	96938599	96938600
NBS 040-135		•	•	38	HJ92N	97769897	92514291	96548359	92514274	92526475	92526492	96938599	96938600
NBS 040-150		•	•	48	HJ92N	97685509	92514323	96658796	92514307	92526477	92526494	96938602	96938603

Pump size	Pole		Seal inner dia. [mm]	Pump rated pressure, see pos.10 in type key								
				High pressure (Class 300) = code 7								
	Installed type	Shaft seal (pos. 105)						Spacer (pos. 105c)				
		DQQE		DAQF		DQQE-NSF		1.4401	1.4462			
2 4 6	Spare (1 pcs)	Bulk co (5 pcs)	Spare (1 pcs)	Bulk (5 pcs)	Spare (1 pcs)	Bulk (5 pcs)	Spare	Spare				
NBS 050-070	•		38	HJ92N	97769897	92514291	96548359	92514274	92526475	92526492	96938599	96938600
	• •		28	HJ92N	97769895	92514258	96548355	92514233	92526474	92526491	96938597	96938598
NBS 050-095	• •		48	HJ92N	97685509	92514323	96658796	92514307	92526477	92526494	96938602	96938603
NBS 050-110	• •		38	HJ92N	97769897	92514291	96548359	92514274	92526475	92526492	96938599	96938600
NBS 050-135	• •		48	HJ92N	97685509	92514323	96658796	92514307	92526477	92526494	96938602	96938603
NBS 050-150	• •		48	HJ92N	97685509	92514323	96658796	92514307	92526477	92526494	96938602	96938603
NBS 060-095	• •		48	HJ92N	97685509	92514323	96658796	92514307	92526477	92526494	96938602	96938603
NBS 060-110	• •		48	HJ92N	97685509	92514323	96658796	92514307	92526477	92526494	96938602	96938603
NBS 060-135	• •		48	HJ92N	97685509	92514323	96658796	92514307	92526477	92526494	96938602	96938603
NBS 060-150	• •		55	HJ92N	97685596	92514356	96658807	92514335	92526479	92526495	96938604	96938605
NBS 080-135	• •		48	HJ92N	97685509	92514323	96658796	92514307	92526477	92526494	96938602	96938603
NBS 080-150	• •		55	HJ92N	97685596	92514356	96658807	92514335	92526479	92526495	96938604	96938605
NBS 100-150	• •		55	HJ92N	97685596	92514356	96658807	92514335	92526479	92526495	96938604	96938605

1) The spacer is not required for this pump size.

2.6 Spare/bulk - O-ring for cover and seal cover



Spare, O-ring (connection between cover and pump housing)

72a: 1 x O-ring

Spare, O-ring (connection between seal cover and cover)

77b: 1 x O-ring

Pump size	Pole		O-ring (pos. 72a)						
			Spare (1 pcs)			Bulk (5 pcs)			
	2	4	6	Material			Material		
				EPDM	FKM (Viton)	EPDM-NSF	EPDM	FKM (Viton)	EPDM-NSF
NBS 012-070	•			97757659	92526498	92526500	92526508	92526514	92526520
		•		97757659	92526498	92526500	92526508	92526514	92526520
NBS 015-070	•			97757659	92526498	92526500	92526508	92526514	92526520
		•		97757659	92526498	92526500	92526508	92526514	92526520
NBS 015-090	•			97757672	97757699	92526501	92526509	92526515	92526521
		•		97757672	97757699	92526501	92526509	92526515	92526521
NBS 015-095	•			97757672	97757699	92526501	92526509	92526515	92526521
		•		97757672	97757699	92526501	92526509	92526515	92526521
NBS 020-095	•			97757672	97757699	92526501	92526509	92526515	92526521
		•		97757672	97757699	92526501	92526509	92526515	92526521
NBS 020-110		•		97757672	97757699	92526501	92526509	92526515	92526521
NBS 020-135		•		97757675	97757705	92526503	92526511	92526517	92526523
NBS 025-070	•			97757659	92526498	92526500	92526508	92526514	92526520
		•		97757659	92526498	92526500	92526508	92526514	92526520
NBS 025-095	•			92526496	92526497	92526499	92526507	92526513	92526519
		•	•	92526496	92526497	92526499	92526507	92526513	92526519
NBS 025-110		•	•	97757673	97757703	92526502	92526510	92526516	92526522
NBS 030-070	•			97757659	92526498	92526500	92526508	92526514	92526520
		•		97757659	92526498	92526500	92526508	92526514	92526520
NBS 030-095	•			92526496	92526497	92526499	92526507	92526513	92526519
		•	•	92526496	92526497	92526499	92526507	92526513	92526519
NBS 030-110		•	•	97757673	97757703	92526502	92526510	92526516	92526522
NBS 030-135		•	•	97757675	97757705	92526503	92526511	92526517	92526523
NBS 040-070	•			97757659	92526498	92526500	92526508	92526514	92526520
		•	•	97757659	92526498	92526500	92526508	92526514	92526520
NBS 040-095	•			92526496	92526497	92526499	92526507	92526513	92526519
		•	•	92526496	92526497	92526499	92526507	92526513	92526519
NBS 040-110		•	•	97757673	97757703	92526502	92526510	92526516	92526522
NBS 040-135		•	•	97757675	97757705	92526503	92526511	92526517	92526523
NBS 040-150		•	•	97757676	97757707	92526504	92526512	92526518	92526524

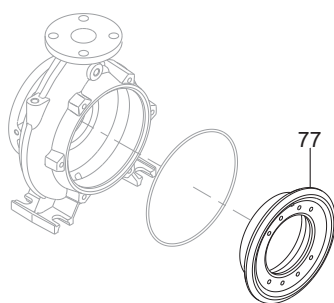
Pump size	Pole		O-ring (pos. 72a)						
			Spare (1 pcs)			Bulk (5 pcs)			
			Material			Material			
	2	4	6	EPDM	FKM (Viton)	EPDM-NSF	EPDM	FKM (Viton)	EPDM-NSF
NBS 050-070	•			97757659	92526498	92526500	92526508	92526514	92526520
		•	•	97757659	92526498	92526500	92526508	92526514	92526520
NBS 050-095		•	•	92526496	92526497	92526499	92526507	92526513	92526519
NBS 050-110		•	•	97757673	97757703	92526502	92526510	92526516	92526522
NBS 050-135		•	•	97757675	97757705	92526503	92526511	92526517	92526523
NBS 050-150		•	•	97757676	97757707	92526504	92526512	92526518	92526524
NBS 060-095		•	•	92526496	92526497	92526499	92526507	92526513	92526519
NBS 060-110		•	•	97757673	97757703	92526502	92526510	92526516	92526522
NBS 060-135		•	•	97757675	97757705	92526503	92526511	92526517	92526523
NBS 060-150		•	•	97757676	97757707	92526504	92526512	92526518	92526524
NBS 080-135		•	•	97757675	97757705	92526503	92526511	92526517	92526523
NBS 080-150		•	•	97757676	97757707	92526504	92526512	92526518	92526524
NBS 100-150		•	•	97757676	97757707	92526504	92526512	92526518	92526524

Pump size	Pole		O-ring (pos. 77b)						
			Spare (1 pcs)			Bulk (5 pcs)			
			Material			Material			
	2	4	6	EPDM	FKM (Viton)	EPDM-NSF	EPDM	FKM (Viton)	EPDM-NSF
NBS 012-070	•			97761203	97761204	92526505	92526525	92526527	92526529
		•		97761203	97761204	92526505	92526525	92526527	92526529
NBS 015-070	•			97761203	97761204	92526505	92526525	92526527	92526529
		•		97761203	97761204	92526505	92526525	92526527	92526529
NBS 015-090	•			97761203	97761204	92526505	92526525	92526527	92526529
		•		97761203	97761204	92526505	92526525	92526527	92526529
NBS 015-095	•			97761203	97761204	92526505	92526525	92526527	92526529
		•		97761203	97761204	92526505	92526525	92526527	92526529
NBS 020-095	•			97761203	97761204	92526505	92526525	92526527	92526529
		•		97761203	97761204	92526505	92526525	92526527	92526529
NBS 020-110		•		97761203	97761204	92526505	92526525	92526527	92526529
NBS 020-135		•		97761203	97761204	92526505	92526525	92526527	92526529
NBS 025-070	•			97761203	97761204	92526505	92526525	92526527	92526529
		•		97761203	97761204	92526505	92526525	92526527	92526529
NBS 025-095	•			97761203	97761204	92526505	92526525	92526527	92526529
		•	•	97761203	97761204	92526505	92526525	92526527	92526529
NBS 025-110		•	•	97761203	97761204	92526505	92526525	92526527	92526529
NBS 030-070	•			97761203	97761204	92526505	92526525	92526527	92526529
		•		97761203	97761204	92526505	92526525	92526527	92526529
NBS 030-095	•			97761203	97761204	92526505	92526525	92526527	92526529
		•	•	97761203	97761204	92526505	92526525	92526527	92526529
NBS 030-110		•	•	97761203	97761204	92526505	92526525	92526527	92526529
NBS 030-135		•	•	97761203	97761204	92526505	92526525	92526527	92526529
NBS 040-070	•			97761203	97761204	92526505	92526525	92526527	92526529
		•	•	97761203	97761204	92526505	92526525	92526527	92526529
NBS 040-095	•			97761203	97761204	92526505	92526525	92526527	92526529
		•	•	97761203	97761204	92526505	92526525	92526527	92526529
NBS 040-110		•	•	97761203	97761204	92526505	92526525	92526527	92526529
NBS 040-135		•	•	97761203	97761204	92526505	92526525	92526527	92526529
NBS 040-150		•	•	97757693	97757714	92526506	92526526	92526528	92526530
NBS 050-070	•			97761203	97761204	92526505	92526525	92526527	92526529
		•	•	97761203	97761204	92526505	92526525	92526527	92526529
NBS 050-095		•	•	97761203	97761204	92526505	92526525	92526527	92526529

Pump size	Pole			O-ring (pos. 77b)					
				Spare (1 pcs)			Bulk (5 pcs)		
				Material			Material		
	2	4	6	EPDM	FKM (Viton)	EPDM-NSF	EPDM	FKM (Viton)	EPDM-NSF
NBS 050-110	•	•		97761203	97761204	92526505	92526525	92526527	92526529
NBS 050-135	•	•		97757693	97757714	92526506	92526526	92526528	92526530
NBS 050-150	•	•		97757693	97757714	92526506	92526526	92526528	92526530
NBS 060-095	•	•		97761203	97761204	92526505	92526525	92526527	92526529
NBS 060-110	•	•		97757693	97757714	92526506	92526526	92526528	92526530
NBS 060-135	•	•		97757693	97757714	92526506	92526526	92526528	92526530
NBS 060-150	•	•		97757693	97757714	92526506	92526526	92526528	92526530
NBS 080-135	•	•		97757693	97757714	92526506	92526526	92526528	92526530
NBS 080-150	•	•		97757693	97757714	92526506	92526526	92526528	92526530
NBS 100-150	•	•		97757693	97757714	92526506	92526526	92526528	92526530

2.7 Kit/spare - Cover

Insert cover

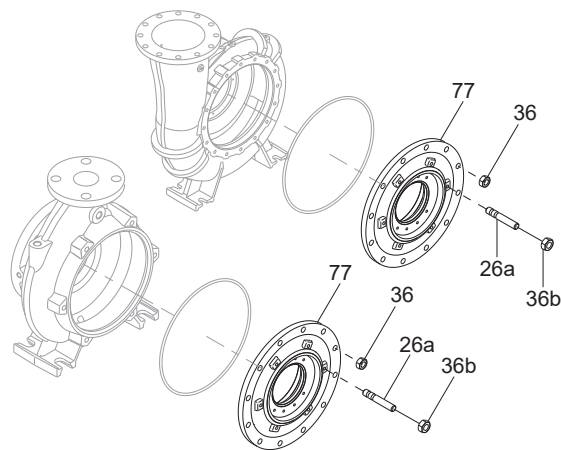


Spare, insert cover

77: 1 x cover

When ordering the kit or spare for cover, please check the original surface color of wetted parts and approval mark on the pump nameplate, to identify the correct service kit or spare.

Bolt-in cover



Kit, bolt-in cover

77: 1 x cover

26a: Needed number of stay bolts

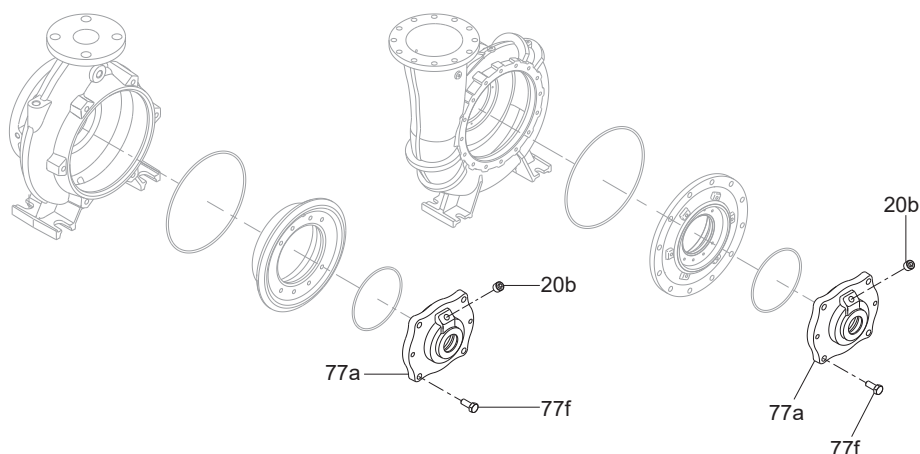
36: Needed number of hex nuts

36b: Needed number of hex nuts

Pump size	Check original surface color of wetted parts and approval mark			Black primer No approval mark		Sand blasted metal NSF compliant		Green coating NSF compliant	
	Pole	Spare	Kit	Spare	Kit	Spare	Kit	Spare	Kit
	2 4 6	Insert	Bolt-in type	Insert	Bolt-in	Insert	Bolt-in	Insert	Bolt-in
NBS 012-070	•	92521768	-	92521768	-	92521768	-	92526445	-
	•	92521768	-	92521768	-	92521768	-	92526445	-
NBS 015-070	•	92521768	-	92521768	-	92521768	-	92526445	-
	•	92521768	-	92521768	-	92521768	-	92526445	-
NBS 015-090	•	-	92521585	-	92521585	-	92521585	-	92526460
	•	-	92521585	-	92521585	-	92521585	-	92526460
NBS 015-095	•	-	92521585	-	92521585	-	92521585	-	92526460
	•	-	92521585	-	92521585	-	92521585	-	92526460
NBS 020-095	•	-	92521584	-	92521584	-	92521584	-	92526458
	•	-	92521585	-	92521585	-	92521585	-	92526460
NBS 020-110	•	-	92521585	-	92521585	-	92521585	-	92526460
NBS 020-135	•	-	92521586	-	92521586	-	92521586	-	92526461
NBS 025-070	•	92521768	-	92521768	-	92521768	-	92526445	-
	•	92521768	-	92521768	-	92521768	-	92526445	-
NBS 025-095	•	-	92521579	-	92521579	-	92521579	-	92526452
	• •	-	92521580	-	92521580	-	92521580	-	92526454
NBS 025-110	• •	-	92521582	-	92521582	-	92521582	-	92526456
NBS 030-070	•	92521768	-	92521768	-	92521768	-	92526445	-
	•	92521768	-	92521768	-	92521768	-	92526445	-
NBS 030-095	•	-	92521579	-	92521579	-	92521579	-	92526452
	• •	-	92521580	-	92521580	-	92521580	-	92526454
NBS 030-110	• •	-	92521582	-	92521582	-	92521582	-	92526456
NBS 030-135	• •	-	92521583	-	92521583	-	92521583	-	92526457
NBS 040-070	•	92521768	-	92521768	-	92521768	-	92526445	-
	• •	92521768	-	92521768	-	92521768	-	92526445	-
NBS 040-095	•	-	92521579	-	92521579	-	92521579	-	92526452
	• •	-	92521580	-	92521580	-	92521580	-	92526454
NBS 040-110	• •	-	92521582	-	92521582	-	92521582	-	92526456
NBS 040-135	• •	-	92521583	-	92521583	-	92521583	-	92526457
NBS 040-150	• •	-	92521576	-	92521576	-	92521576	-	92526449

Pump size	Check original surface color of wetted parts and approval mark			Black primer No approval mark		Sand blasted metal NSF compliant		Green coating NSF compliant	
	Pole			Spare	Kit	Spare	Kit	Spare	Kit
	2	4	6	Insert	Bolt-in type	Insert	Bolt-in	Insert	Bolt-in
NBS 050-070	•			92521768	-	92521768	-	92526445	-
	•	•		92521768	-	92521768	-	92526445	-
NBS 050-095	•	•		-	92521581	-	92521581	-	92526455
NBS 050-110	•	•		-	92521582	-	92521582	-	92526456
NBS 050-135	•	•		-	92521574	-	92521574	-	92526446
NBS 050-150	•	•		-	92521576	-	92521576	-	92526449
NBS 060-095	•	•		-	92521581	-	92521581	-	92526455
NBS 060-110	•	•		92521769	-	92521769	-	92526444	-
NBS 060-135	•	•		-	92521575	-	92521575	-	92526448
NBS 060-150	•	•		-	92521577	-	92521577	-	92526450
NBS 080-135	•	•		-	92521575	-	92521575	-	92526448
NBS 080-150	•	•		-	92521578	-	92521578	-	92526451
NBS 100-150	•	•		-	92521578	-	92521578	-	92526451

2.8 Kit - Seal cover



TM078541

Kit, seal cover

77a: 1 x seal cover

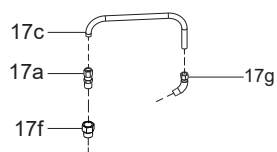
20b: 1 x plug

77f: 4 x hex head screw

Pump size	Check original surface color of wetted parts and approval mark			Black primer No approval mark	Sand blasted metal NSF compliant	Green coating NSF compliant
	Pole					
	2	4	6			
NBS 012-070	•			92521659	92521665	92521662
		•		92521659	92521665	92521662
NBS 015-070	•			92521668	92521674	92521671
		•		92521659	92521665	92521662
NBS 015-090	•			92521704	92521710	92521707
		•		92521668	92521674	92521671
NBS 015-095	•			92521704	92521710	92521707
		•		92521668	92521674	92521671
NBS 020-095	•			92521686	92521692	92521689
		•		92521668	92521674	92521671
NBS 020-110	•			92521668	92521674	92521671
		•		92521668	92521674	92521671
NBS 020-135	•			92521695	92521701	92521698
		•		92521659	92521665	92521662
NBS 025-070	•			92521668	92521674	92521671
		•		92521659	92521665	92521662
NBS 025-095	•			92521686	92521692	92521689
		•	•	92521668	92521674	92521671
NBS 025-110	•	•		92521695	92521701	92521698
		•	•	92521668	92521674	92521671
NBS 030-070	•			92521668	92521674	92521671
		•		92521659	92521665	92521662
NBS 030-095	•			92521677	92521683	92521680
		•	•	92521668	92521674	92521671
NBS 030-110	•	•		92521695	92521701	92521698
		•	•	92521695	92521701	92521698
NBS 030-135	•	•		92521704	92521710	92521707
		•	•	92521668	92521674	92521671
NBS 040-070	•			92521677	92521683	92521680
		•	•	92521668	92521674	92521671
NBS 040-095	•			92521695	92521701	92521698
		•	•	92521668	92521674	92521671
NBS 040-110	•	•		92521695	92521701	92521698
		•	•	92521695	92521701	92521698
NBS 040-135	•	•		92521713	92521719	92521716
		•	•	92521704	92521710	92521707
NBS 050-070	•			92521668	92521674	92521671
		•	•	92521668	92521674	92521671

Check original surface color of wetted parts and approval mark			Black primer No approval mark	Sand blasted metal NSF compliant	Green coating NSF compliant	
Pump size	Pole					
	2	4				6
NBS 050-095	•	•	92521722	92521728	92521725	
NBS 050-110	•	•	92521695	92521701	92521698	
NBS 050-135	•	•	92521713	92521719	92521716	
NBS 050-150	•	•	92521713	92521719	92521716	
NBS 060-095	•	•	92521722	92521728	92521725	
NBS 060-110	•	•	92521713	92521719	92521716	
NBS 060-135	•	•	92521713	92521719	92521716	
NBS 060-150	•	•	92521731	92521737	92521734	
NBS 080-135	•	•	92521713	92521719	92521716	
NBS 080-150	•	•	92521731	92521737	92521734	
NBS 100-150	•	•	92521731	92521737	92521734	

2.9 Kit - Flushing line



TM078549

Kit, flushing line

17c: 1 x tube

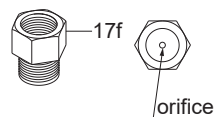
17a: 1 x connector, 1/4" tube x 1/4" NPT

17f: 1 x flow control adapter

17g: 1 x connector, elbow, 45, 1/4" tube x 1/8" NPT

Kit number	Size and tubing type	Tube length
92521740	Kit, small - nylon	24 Inch
92521741	Kit, large - nylon	36 Inch
92521742	Kit, small - copper	24 Inch
92521743	Kit, large - copper	36 Inch
92521744	Kit, small - stainless steel	24 Inch
92521745	Kit, large - stainless steel	36 Inch

2.10 Spare - Flow control adapter



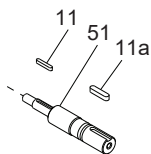
TM079087

Kit, flushing line

17f: 1 x flow control adapter

Spare number: 99857726

2.11 Kit - Shaft



TM078543

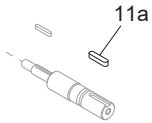
Kit, shaft

- 51: 1 x pump shaft
- 11: 1 x key (impeller)
- 11a: 1 x key (coupling)

Pump size	Pole			Material code in type key				
				S2, S6, SA, SE	S3, S7, SB, SF	S4, S8, SC, SG	S5, S9, SD, SH	
	2	4	6	Shaft material				
			1.4021/1.4034	1.4301	1.4401	1.4462		
NBS 012-070	•			92521607	92521605	92521606	92521608	
		•		92521607	92521605	92521606	92521608	
NBS 015-070	•			92521612	92521609	92521610	92521611	
		•		92521607	92521605	92521606	92521608	
NBS 015-090	•			92521615	92521613	92521614	92521616	
		•		92521612	92521609	92521610	92521611	
NBS 015-095	•			92521615	92521613	92521614	92521616	
		•		92521612	92521609	92521610	92521611	
NBS 020-095	•			92521619	92521617	92521618	92521620	
		•		92521612	92521609	92521610	92521611	
NBS 020-110		•		92521612	92521609	92521610	92521611	
NBS 020-135		•		92521623	92521621	92521622	92521624	
NBS 025-070	•			92521612	92521609	92521610	92521611	
		•		92521607	92521605	92521606	92521608	
NBS 025-095	•			92521619	92521617	92521618	92521620	
		•	•	92521612	92521609	92521610	92521611	
NBS 025-110		•	•	92521623	92521621	92521622	92521624	
NBS 030-070	•			92521612	92521609	92521610	92521611	
		•		92521607	92521605	92521606	92521608	
NBS 030-095	•			92521623	92521621	92521622	92521624	
		•	•	92521612	92521609	92521610	92521611	
NBS 030-110		•	•	92521623	92521621	92521622	92521624	
NBS 030-135		•	•	92521623	92521621	92521622	92521624	
NBS 040-070	•			92521615	92521613	92521614	92521616	
		•	•	92521612	92521609	92521610	92521611	
NBS 040-095	•			92521623	92521621	92521622	92521624	
		•	•	92521612	92521609	92521610	92521611	
NBS 040-110		•	•	92521623	92521621	92521622	92521624	
NBS 040-135		•	•	92521623	92521621	92521622	92521624	
NBS 040-150		•	•	92521631	92521629	92521630	92521632	
NBS 050-070	•			92521615	92521613	92521614	92521616	
		•	•	92521612	92521609	92521610	92521611	
NBS 050-095		•	•	92521627	92521625	92521626	92521628	
NBS 050-110		•	•	92521623	92521621	92521622	92521624	
NBS 050-135		•	•	92521631	92521629	92521630	92521632	
NBS 050-150		•	•	92521631	92521629	92521630	92521632	
NBS 060-095		•	•	92521627	92521625	92521626	92521628	
NBS 060-110		•	•	92521631	92521629	92521630	92521632	
NBS 060-135		•	•	92521631	92521629	92521630	92521632	

Pump size	Pole			Material code in type key			
				S2, S6, SA, SE	S3, S7, SB, SF	S4, S8, SC, SG	S5, S9, SD, SH
				Shaft material			
	2	4	6	1.4021/1.4034	1.4301	1.4401	1.4462
NBS 060-150		•	•	92521635	92521633	92521634	92521636
NBS 080-135		•	•	92521631	92521629	92521630	92521632
NBS 080-150		•	•	92521635	92521633	92521634	92521636
NBS 100-150		•	•	92521635	92521633	92521634	92521636

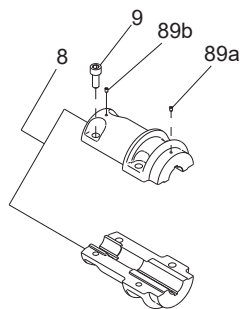
2.12 Spare - Key, coupling (pump side)



TM078810

Spare, key				
11a: 1 x key				
Pump size	Pole			Spare number
	2	4	6	
NBS 012-070	•			92521498
		•		92521498
NBS 015-070	•			92521498
		•		92521498
NBS 015-090	•			92521499
		•		92521498
NBS 015-095	•			92521499
		•		92521498
NBS 020-095	•			92521499
		•		92521498
NBS 020-110		•		92521498
NBS 020-135		•		92521499
NBS 025-070	•			92521498
		•		92521498
NBS 025-095	•			92521499
		•	•	92521498
NBS 025-110		•	•	92521499
NBS 030-070	•			92521498
		•		92521498
NBS 030-095	•			92521499
		•	•	92521498
NBS 030-110		•	•	92521499
NBS 030-135		•	•	92521499
NBS 040-070	•			92521499
		•	•	92521498
NBS 040-095	•			92521499
		•	•	92521498
NBS 040-110		•	•	92521499
NBS 040-135		•	•	92521499
NBS 040-150		•	•	92521500
NBS 050-070	•			92521499
		•	•	92521498
NBS 050-095		•	•	92521500
NBS 050-110		•	•	92521499
NBS 050-135		•	•	92521500
NBS 050-150		•	•	92521500
NBS 060-095		•	•	92521500
NBS 060-110		•	•	92521500
NBS 060-135		•	•	92521500
NBS 060-150		•	•	92521500
NBS 080-135		•	•	92521500
NBS 080-150		•	•	92521500
NBS 100-150		•	•	92521500

2.13 Kit - Split coupling



TM078544

Kit, split coupling

8: 2 x coupling half

9: 4 or 6 x coupling screw

89a: 1 x set screw

89b: 1 x set screw

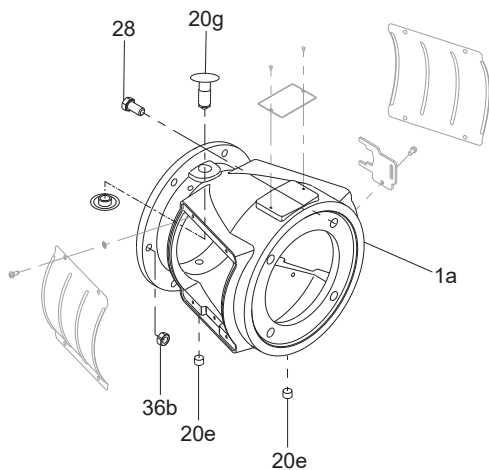
Pole	Baldor Motor frame size																																			
	143TC	145TC	182TC	184TC	213TC	215TC	254TC	256TC	284TC	284TSC	286TC	286TSC	324TC	324TSC	326TC	326TSC	364TC	364TSC	365TC	365TSC	404TC	404TSC	405TC	405TSC	444TC	444TSC	445TC	445TSC	447TC							
2	1.5	2	3	3	5	7.5	7.5	10	10	15	15	20	20	25	25	25	30	30	30	40	40	50	50	60	60	75	75	100	100	150	150	125	200	150	200	
4	1	1.5	2	3	5	5	7.5	7.5	10	10	15	15	20	20	25	25	30	30	40	40	50	50	60	60	75	75	100	100	125	125	150	150	125	200	150	200
6	1	1.5	2	3	5	5	7.5	7.5	10	10	15	15	20	20	25	25	30	30	40	40	50	50	60	60	75	75	100	100	125	125	150	150	125	200	150	200

Pump size	Pole			Motor frame size																																
	2	4	6	143TC	145TC	182TC	184TC	213TC	215TC	254TC	256TC	284TC	284TSC	286TC	286TSC	324TC	324TSC	326TC	326TSC	364TC	364TSC	365TC	365TSC	404TC	404TSC	405TC	405TSC	444TC	444TSC	445TC	445TSC	447TC				
NBS 012-070	•			1	1	2	2	3	3	4																										
	•			1	1																															
NBS 015-070	•					2	2	3	3	4	4																									
	•			1	1	2																														
NBS 015-090	•								8	10	10		9		9		12																			
	•					1	2	2																												
NBS 015-095	•								8	10	10		9		9		12		12																	
	•					1	2	2	3																											
NBS 020-095	•								8	10	10		9		9		12		12		12															
	•					1	2	2	3																											
NBS 020-110	•								2	2	3	3	4																							
	•																																			
NBS 020-135	•								8	8	10	10	11																							
	•																																			
NBS 025-070	•								2	3	3	4	4		5		5																			
	•					1	1	2	2																											
NBS 025-095	•													10	9	9	12	12	12	12	12															
	• •					1		2	2	3	3																									
NBS 025-110	• •								7	8	8	10																								
	• •																																			
NBS 030-070	•								3	4	4		5		5		6																			
	•					1	2	2																												
NBS 030-095	•																9	12	12	12	12	12	12	12	13	13	15									
	• •								2	2	3	3	4																							
NBS 030-110	• •								8	8	10	10																								
	• •																																			
NBS 030-135	• •								8	10	10	11		11		14																				
	• •																																			
NBS 040-070	•								10	10		9		9		12		12																		
	• •					1	1	2	2	3																										

Pump size	Pole			Motor frame size																														
	2	4	6	143TC	145TC	182TC	184TC	213TC	215TC	254TC	256TC	284TC	284TSC	286TC	286TSC	324TC	324TSC	326TC	326TSC	364TC	364TSC	365TC	365TSC	404TC	404TSC	405TC	405TSC	444TC	444TSC	445TC	445TSC	447TC		
NBS 040-095	•																			12	12	12		13		13		15						
	•	•					2	3	3	4	4																							
NBS 040-110	•	•						8	8	10	10	11		11																				
NBS 040-135	•	•							8	10	10	11		11		14	14																	
NBS 040-150	•	•										18		18		19		19		20		20		22		22		23		23				
NBS 050-070	•									10	10		9		9		12		12		12		12											
	•	•	•	1		2	2	3	3																									
NBS 050-095	•	•						16	16	17	17	18		18																				
NBS 050-110	•	•							8	10	10	11		11		14																		
NBS 050-135	•	•									17	18		18		19	19		20		20													
NBS 050-150	•	•													19	19		20		20		22		22		23		23						
NBS 060-095	•	•						16	17	17	18		18		19																			
NBS 060-110	•	•								17	17	18		18		19	19		20															
NBS 060-135	•	•									17	18		18		19	19		20		20		22		22		23							
NBS 060-150	•	•																	21		21		22		22		24		24		24			
NBS 080-135	•	•										18		18		19	19		20		20		22		22		23		23					
NBS 080-150	•	•																	21		21		22		22		24		24		24			
NBS 100-150	•	•																		21		22		22		24		24		24				

Code for split coupling	Kit number
1	92521637
2	92521638
3	92521639
4 or 5	92521640
6	92521641
7	92521642
8	92521643
9	92521644
10	92521645
11 or 12	92521646
13	92521647
14	92521648
15	92521649
16	92521650
17	92521651
18	92521652
19	92521653
20	92521654
21	92521655
22	92521656
23	92521657
24	92521658

2.14 Kit - Motor stool

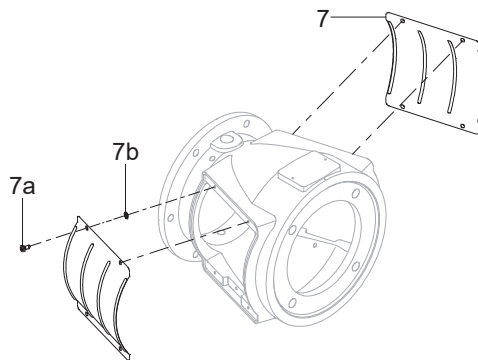


TM078542

Kit, motor stool

- 1a: 1 x motor stool
- 36b: Needed number of nuts for mounting the pump and cover
- 28: Needed number of bolts for mounting the motor
- 20 (e, g): Needed number of plugs

2.15 Kit - Coupling guards



TM078546

Kit, coupling guard

- 7: 2 x coupling guard
- 7a: 8 x hex socket head cap screw
- 7b: 8 x lock washer M5

Baldor Motor frame size

Pole	Baldor Motor frame size																																			
	143TC	145TC	182TC	184TC	213TC	215TC	254TC	256TC	284TC	284TSC	286TC	286TSC	324TC	324TSC	326TC	326TSC	364TC	364TSC	365TC	365TSC	404TC	404TSC	405TC	405TSC	444TC	444TSC	445TC	445TSC	447TC							
2	1.5	2	3	3	5	5	7.5	7.5	10	10	15	15	20	20	25	25	30	30	40	40	50	50	60	60	75	75	100	100	125	125	150	150	200	200		
4	1	1.5	2	3	3	5	5	7.5	7.5	10	10	15	15	20	20	25	25	30	30	40	40	50	50	60	60	75	75	100	100	125	125	150	150	200	200	
6	1		1.5	2	3	3	5	5	7.5	7.5	10	10	15	15	20	20	25	25	30	30	40	40	50	50	60	60	75	75	100	100	125	125	150	150	200	200

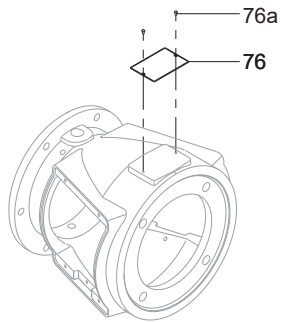
Baldor Motor frame size

Pump size	Pole			Baldor Motor frame size																																	
	2	4	6	143TC	145TC	182TC	184TC	213TC	215TC	254TC	256TC	284TC	284TSC	286TC	286TSC	324TC	324TSC	326TC	326TSC	364TC	364TSC	365TC	365TSC	404TC	404TSC	405TC	405TSC	444TC	444TSC	445TC	445TSC	447TC					
NBS 012-070	•			A	C	C	C	C	C	C																											
	•			A	A																																
NBS 015-070	•					C	C	C	C	C	C	C																									
	•			A	A	C																															
NBS 015-090	•									C	B	B	E	E	G																						
	•			A	C	C																															
NBS 015-095	•									C	B	B	E	E	G	G																					
	•			A	C	C	C																														
NBS 020-095	•									C	B	B	E	E	G	G	G																				
	•			A	C	C	C																														
NBS 020-110	•					C	C	C	C	C																											
NBS 020-135	•									J	J	J	J	K																							
NBS 025-070	•									C	C	C	C	C	E	E																					
	•			A	A	C	C																														
NBS 025-095	•													B	E	E	G	G	G	G																	
	••			A		C	C	C	C																												
NBS 025-110	••									J	J	J	J																								
NBS 030-070	•									C	C	C	E	E	G																						
	•			A	C	C																															
NBS 030-095	•															E	G	G	G	G	G	G	G	G	G	G	G	G	G	H							
	••					C	C	C	C	C																											

Pump size	Pole			Baldor Motor frame size																														
	2	4	6	143TC	145TC	162TC	184TC	213TC	215TC	254TC	266TC	284TC	284TSC	286TC	286TSC	324TC	324TSC	326TC	326TSC	364TC	364TSC	365TC	365TSC	404TC	404TSC	405TC	405TSC	444TC	444TSC	445TC	445TSC	447TC		
NBS 030-110	•	•						J	J	J	J																							
NBS 030-135	•	•							J	J	J	K		K		L																		
NBS 040-070	•									B	B		E		E		G		G															
	•	•	A	A	C	C	C																											
NBS 040-095	•																			G	G		G		G		G		H					
	•	•				C	C	C	C	C																								
NBS 040-110	•	•						J	J	J	J	K		K																				
NBS 040-135	•	•						J	J	J	K		K		L		L																	
NBS 040-150	•	•										N	N		P		P		P		P		O		O		Q		Q					
NBS 050-070	•									B	B		E		E		G		G		G		G											
	•	•	A		C	C	C	C																										
NBS 050-095	•	•						B	B	B	B	D		D																				
NBS 050-110	•	•						J	J	J	K		K		L																			
NBS 050-135	•	•									M	N		N		P		P		P		P												
NBS 050-150	•	•													P		P		P		P		O		O		Q		Q					
NBS 060-095	•	•						B	B	B	D		D		F																			
NBS 060-110	•	•								M	M	N		N		P		P		P														
NBS 060-135	•	•									M	N		N		P		P		P		P		O		O		Q						
NBS 060-150	•	•																		R		R		R		R		S		S		S		
NBS 080-135	•	•										N	N		P		P		P		P		O		O		Q		Q					
NBS 080-150	•	•																		R		R		R		R		S		S		S		
NBS 100-150	•	•																			R		R		R		S		S		S			

Code for motor stool + coupling	Kit number for motor stool	Kit number for coupling guard
A	92521587	92521760
B	92521588	92521762
C	92521589	92521761
D	92521590	92521767
E	92521591	92521763
F	92521592	92521765
G	92521593	92521746
H	92521594	92521763
J	92521595	92521764
K	92521596	92521763
L	92521597	92521748
M	92521598	92521747
N	92521599	92521748
O	92521600	92521766
P	92521601	92521765
Q	92521602	92521749
R	92521603	92521766
S	92521604	92521749

2.16 Pump nameplate



TM078936

Nameplate

76: 1 x nameplate (72 x 50 mm), see section Nameplate for nameplate example

76a: 2 x rivet

When you require to replace a nameplate, take a picture of the existing one and send this to Grundfos.

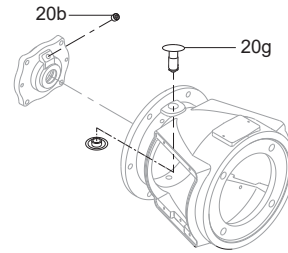
Based on this, it is normally possible to print a new copy.

If the pump holds certain approvals, it may be a mandatory requirement to ship the complete unit back to Grundfos to check the pump, and to print and install a new nameplate in Grundfos facilities. This is to maintain the approval. Therefore, information of the installed pump is needed.

Related information

[1.2 Nameplate](#)

2.17 Kit - Plugs for seal cover and motor stool



TM079088

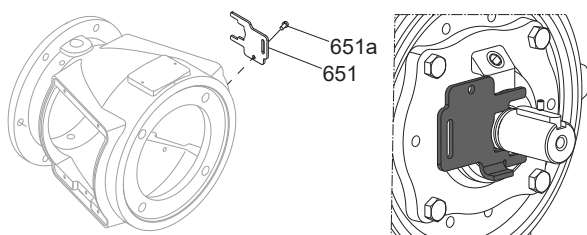
Kit, plugs for seal cover and motor stool

20b: 1 x plug

20g: 1 x 2-part push-fit composite plug

Kit number: 99857724

2.18 Kit - Fork tool (positioning tool for pump shaft)



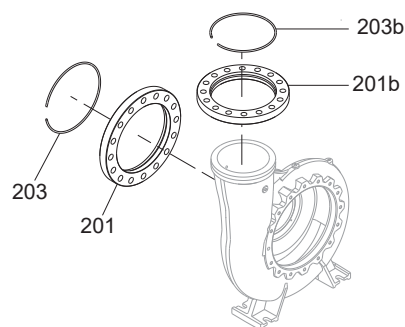
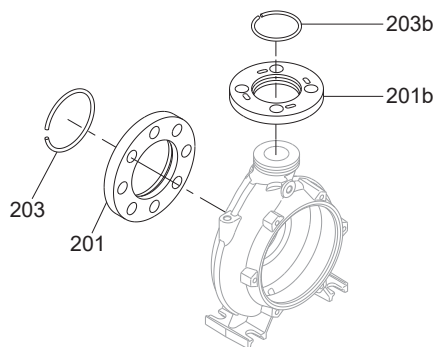
Kit, fork tool

651: 1 x fork tool

651a: 1 x position screw

Pump size	Pole			Kit number
	2	4	6	
NBS 012-070	•			92521501
		•		92521501
NBS 015-070 / NBS 015-090 / NBS 015-095	•			92521501
		•		92521501
NBS 020-095	•			92521501
		•		92521501
NBS 020-110		•		92521501
NBS 020-135		•		92521501
NBS 025-070	•			92521501
		•		92521501
NBS 025-095	•			92521501
		•	•	92521501
NBS 025-110		•	•	92521501
NBS 030-070	•			92521501
		•		92521501
NBS 030-095	•			92521501
		•	•	92521501
NBS 030-110		•	•	92521501
NBS 030-135		•	•	92521501
NBS 040-070 / NBS 040-095	•			92521501
		•	•	92521501
NBS 040-110		•	•	92521501
NBS 040-135		•	•	92521501
NBS 040-150		•	•	92521502
NBS 050-070	•			92521501
		•	•	92521501
NBS 050-095		•	•	92521502
NBS 050-110		•	•	92521501
NBS 050-135		•	•	92521502
NBS 050-150		•	•	92521502
NBS 060-095		•	•	92521502
NBS 060-110		•	•	92521502
NBS 060-135		•	•	92521502
NBS 060-150		•	•	92521502
NBS 080-135		•	•	92521502
NBS 080-150		•	•	92521502
NBS 100-150		•	•	92521502

2.19 Kit - Loose flange



TM078770

Kit, flange for inlet

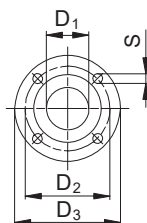
201: 1 x flange

203: 1 x lock ring

Kit, flange for outlet

201b: 1 x flange

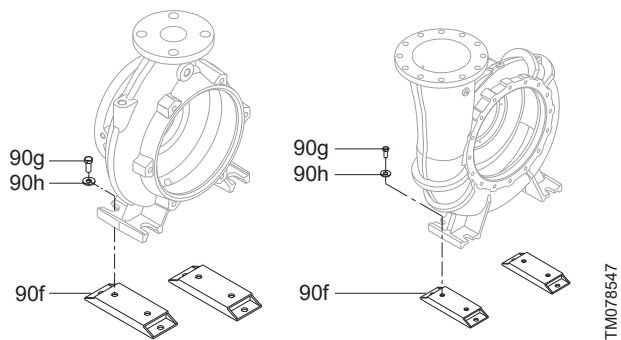
203b: 1 x lock ring



TM027720

Kit number	D1 [inch]	D2 [inch]	D3 [inch]	S
98329969	1.5	4.5	6 1/8	4 x Ø7/8
98329970	2	5	6 1/2	8 x Ø3/4
92526537	2.5	5 7/8	7 1/2	8 x Ø7/8
98254163	3	6 5/8	8 1/4	8 x Ø7/8
98254164	4	7 7/8	10	8 x Ø7/8
98254165	5	9 1/4	11	8 x Ø7/8
98254166	6	10 5/8	12 1/2	12 x Ø7/8
98254167	8	13	15	12 x Ø1
92526538	10	15 1/4	17 1/2	16 x Ø1 1/8
92526539	12	17 3/4	20 1/2	16 x Ø1 1/4

2.20 Kit - Support rails under pump



Kit, support rails under pump

- 90f: 2 x support rail
- 90g: 4 x hex screw
- 90h: 4 x washer

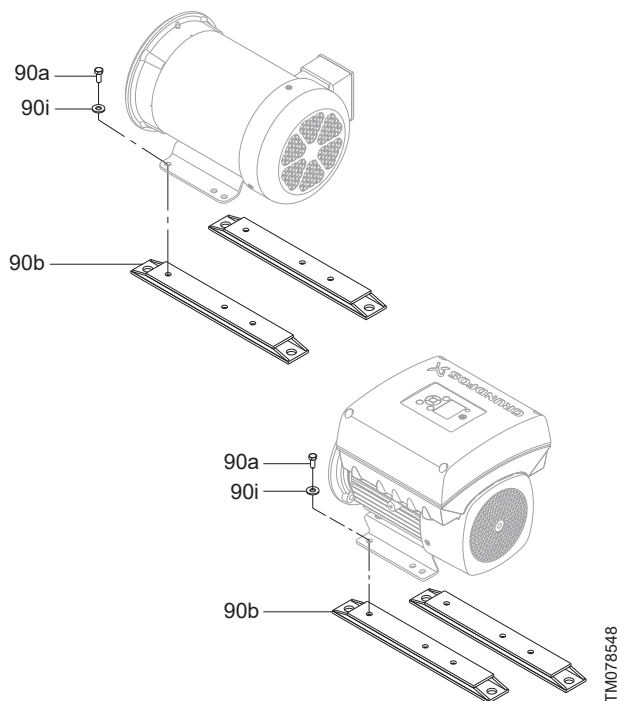
		Baldor Motor frame size																																		
Pole	Motor power size [hp]																																			
	1.5	2	3	3	5	5	7.5	7.5	10	10	10	15	15	20	20	25	25	30	30	40	40	50	50	60	60	75	75	100	125	125	150	150	200	200	150	200
2	1.5	2	3	3	5	5	7.5	7.5	10	10	10	15	15	20	20	25	25	30	30	40	40	50	50	60	60	75	75	100	125	125	150	150	200	200	150	200
4	1	1.5	2	3	5	5	7.5	7.5	10	10	15	15	20	20	25	25	30	30	40	40	50	50	60	60	75	75	100	100	125	125	150	150	200	200	150	200
6	1	1.5	2	3	5	5	7.5	7.5	10	10	15	15	20	20	25	25	30	30	40	40	50	50	60	60	75	75	100	100	125	125	150	150	200	200	150	200

Pump size	Pole			Motor frame size																																	
	2	4	6	143TC	145TC	182TC	184TC	213TC	215TC	254TC	256TC	284TC	284TSC	286TC	286TSC	324TC	324TSC	326TC	326TSC	364TC	364TSC	365TC	365TSC	404TC	404TSC	405TC	405TSC	444TC	444TSC	445TC	445TSC	447TC					
NBS 012-070	•			8	8	9	9	9	9	9	9																										
	•			8	8																																
NBS 015-070	•					9	9	9	9	9	9	9																									
	•			8	8	9																															
NBS 015-090	•									0	5	5	5	5	5	6																					
	•			0	0	0																															
NBS 015-095	•									0	5	5	5	5	5	6	6																				
	•			0	0	0	0	0																													
NBS 020-095	•									0	5	5	5	5	5	6	6	C																			
	•			0	0	0	0	0																													
NBS 020-110	•					0	0	0	0	0	0																										
	•																																				
NBS 020-135	•									0	0	0	0	0	0																						
	•																																				
NBS 025-070	•									1	1	1	1	1	1	7	7																				
	•			0	0	1	1																														
NBS 025-095	•													0	0	0	2	2	3	3																	
	••			0	0	0	0	0	0																												
NBS 025-110	••					0	0	0	0																												
	••																																				
NBS 030-070	•									1	1	1	7	7	D																						
	•			0	1	1																															
NBS 030-095	•															0	2	2	3	3	4	4	B														
	••					0	0	0	0	0																											
NBS 030-110	••							0	0	0	0																										
	••																																				
NBS 030-135	••									0	0	0	0	0	0	0	0																				
	••																																				
NBS 040-070	•													5	5	5	5	6	6																		
	••			0	0	0	0	0	0																												

Pump size	Pole			Motor frame size																															
	2	4	6	143TC	145TC	182TC	184TC	213TC	215TC	254TC	256TC	284TC	284TSC	286TC	286TSC	324TC	324TSC	326TC	326TSC	364TC	364TSC	365TC	365TSC	404TC	404TSC	405TC	405TSC	444TC	444TSC	445TC	445TSC	447TC			
NBS 040-095	•																		0		2	2		3		3		4							
	• •					0	0	0	0	0	0																								
NBS 040-110	• •							0	0	0	0	0		0																					
NBS 040-135	• •								0	0	0	0		0		0		0																	
NBS 040-150	• •												0	0		0		0		0	0		0		0		0		A		A				
NBS 050-070	•									0	0		0		0		2		2		3		3												
	• •	0		0	0	0	0	0																											
NBS 050-095	• •							0	0	0	0	0		0																					
NBS 050-110	• •								0	0	0	0		0																					
NBS 050-135	• •									0	0		0		0		0		0		0		0												
NBS 050-150	• •															0		0		0	0		0		0		0		0		0		0		
NBS 060-095	• •							0	0	0	0		0		0																				
NBS 060-110	• •								0	0	0		0		0		0		0		0														
NBS 060-135	• •									0	0		0		0		0		0		0		0		0		0		A						
NBS 060-150	• •																				0	0		0	0		0		0		0		0		
NBS 080-135	• •											0	0		0		0		0		0		0		0		0		0		0		0		
NBS 080-150	• •																				0	0		0	0		0		0		0		0		
NBS 100-150	• •																					0	0		0	0		0		0		0		0	

Code for support rails under pump	Kit number
0	No support rail required
1	92521546
2	92521547
3	92521548
4	92521549
5	92521550
6	92521551
7	92521552
8	92521553
9	92521554
A	92521555
B	92521556
C	92521557
D	92521558

2.21 Kit - Support rails under motor



TMO78548

Kit, support rails under motor

- 90b: 2 x support rail
- 90a: 4 x hex screw
- 90i: 4 x washer

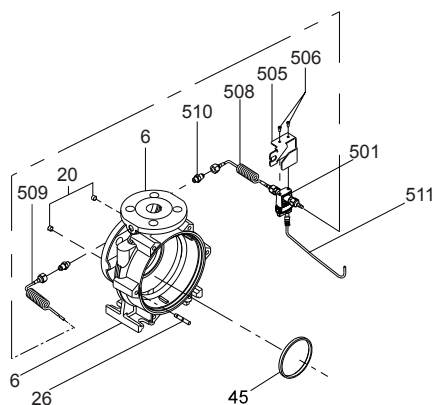
		Baldor Motor frame size																													
Pole		143TC	145TC	182TC	184TC	213TC	215TC	254TC	256TC	284TC	284TSC	286TC	286TSC	324TC	324TSC	326TC	326TSC	364TC	364TSC	365TC	365TSC	404TC	404TSC	405TC	405TSC	444TC	444TSC	445TC	445TSC	447TC	
		Motor power size [hp]																													
2	1.5	2	3	5	5	7.5	7.5	10	10	15	15	20	20	25	25	30	30	40	40	50	50	60	60	75	75	100	100	150	150	200	200
4	1	1.5	2	3	5	7.5	7.5	10	10	15	15	20	20	25	25	30	30	40	40	50	50	60	60	75	75	100	100	125	125	150	150
6	1			1.5	2	3	5	7.5	10	15	15	20	20	25	25	30	30	40	40	50	50	60	60	75	75	100	100	125	125	150	150

Pump size	Pole			Motor frame size																												
	2	4	6	143TC	145TC	182TC	184TC	213TC	215TC	254TC	256TC	284TC	284TSC	286TC	286TSC	324TC	324TSC	326TC	326TSC	364TC	364TSC	365TC	365TSC	404TC	404TSC	405TC	405TSC	444TC	444TSC	445TC	445TSC	447TC
NBS 012-070	•			E	E	C	C	C1	C1	A																						
	•			E	E																											
NBS 015-070	•					C	C	C1	C1	A	A																					
	•			E	E	C																										
NBS 015-090	•								C1	D	D	M	M	N																		
	•			F1	D1	D1																										
NBS 015-095	•								C1	D	D	M	M	N	N																	
	•			F1	D1	D1	C1																									
NBS 020-095	•								C1	D	D	M	M	N	N	P																
	•			F1	D1	D1	C1																									
NBS 020-110	•					D1	D1	C1	C1	A																						
NBS 020-135	•							G1	G1	F	F	R																				
NBS 025-070	•					D1	C1	C1	A	A	M	M																				
	•			E	E	D1	D1																									
NBS 025-095	•									D	M	M	N	N	P	P																
	• •			H1		G	G	E1	E1																							

Pump size	Pole			Motor frame size																														
	2	4	6	143TC	145TC	182TC	184TC	213TC	215TC	254TC	256TC	284TC	284TSC	286TC	286TSC	324TC	324TSC	326TC	326TSC	364TC	364TSC	365TC	365TSC	404TC	404TSC	405TC	405TSC	444TC	444TSC	445TC	445TSC	447TC		
NBS 025-110	•	•						G	E1	E1	D																							
NBS 030-070	•								C1	A	A		M	M	N																			
	•			E	D1	D1																												
NBS 030-095	•														M	N	N	P	P	O	O	Q												
	•	•						G	G	E1	E1	D																						
NBS 030-110	•	•							E1	E1	D	D																						
NBS 030-135	•	•								J	H	H	U	U	S																			
NBS 040-070	•										D	D	M	M	N	N																		
	•	•		F1	F1	D1	D1	C1																										
NBS 040-095	•																			N	P	P	O	O	Q									
	•	•						I	G1	G1	F	F																						
NBS 040-110	•	•							G1	G1	F	F	R	R																				
NBS 040-135	•	•								J	H	H	U	U	S	S																		
NBS 040-150	•	•										X	X	V	V	T	T	O	O	Q	Q													
NBS 050-070	•												D	D	M	M	N	N	P	P														
	•	•	H1	G	G	E1	E1																											
NBS 050-095	•	•								J	J	H	H	U	U																			
NBS 050-110	•	•								J	H	H	U	U	S																			
NBS 050-135	•	•									K	X	X	V	V	T	T																	
NBS 050-150	•	•													A1	A1	B	B	B1	B1	5	5												
NBS 060-095	•	•								L	K	K	X	X	V																			
NBS 060-110	•	•									K	K	X	X	V	V	T																	
NBS 060-135	•	•									K	X	X	V	V	T	T	O	O	Q														
NBS 060-150	•	•															B	B	B1	B1	5	5	5											
NBS 080-135	•	•										1	1	Z	Z	Y	Y	8	8	6	6													
NBS 080-150	•	•															2	2	Z1	Z1	7	7	7											
NBS 100-150	•	•																4	3	3	9	9	9											

Code for support rails under motor	Kit number	Code for support rails under motor	Kit number
A	92521503	O	92521521
A1	92521540	P	92521543
B	92521541	Q	92521544
B1	92521542	R	92521522
C	92521545	S	92521523
C1	92521504	T	92521524
D	92521505	U	92521525
D1	92521506	V	92521526
E	92521507	X	92521527
E1	92521508	Y	92521528
F	92521509	Z	92521529
F1	92521510	Z1	92521530
G	92521511	1	92521531
G1	92521512	2	92521532
H	92521513	3	92521533
H1	92521514	4	92521534
I	92521515	5	92521535
J	92521516	6	92521536
K	92521517	7	92521537
L	92521518	8	92521538
M	92521519	9	92521539
N	92521520		

2.22 Kit - Sensor for NBSE Series 2000



TM073633

Kit, differential-pressure sensor

- 501: 1 x sensor
- 506: 2 x screw
- 511: 1 x cable (including connector to sensor)

Spare, sensor bracket

- 505: 1 x sensor bracket

Kit, capillary tube

- 508: 1 x capillary tube
- 509: 1 x capillary tube
- 510 2 x adapter plug

Spare, cable

- 511: 1 x cable (including connector to sensor)

Kit, differential-pressure sensor

0-2 bar	0-4 bar	0-6 bar	0-10 bar
92655813	99562724	99562725	99562726

Spare, bracket for sensor

99562727

Kit, capillary tube

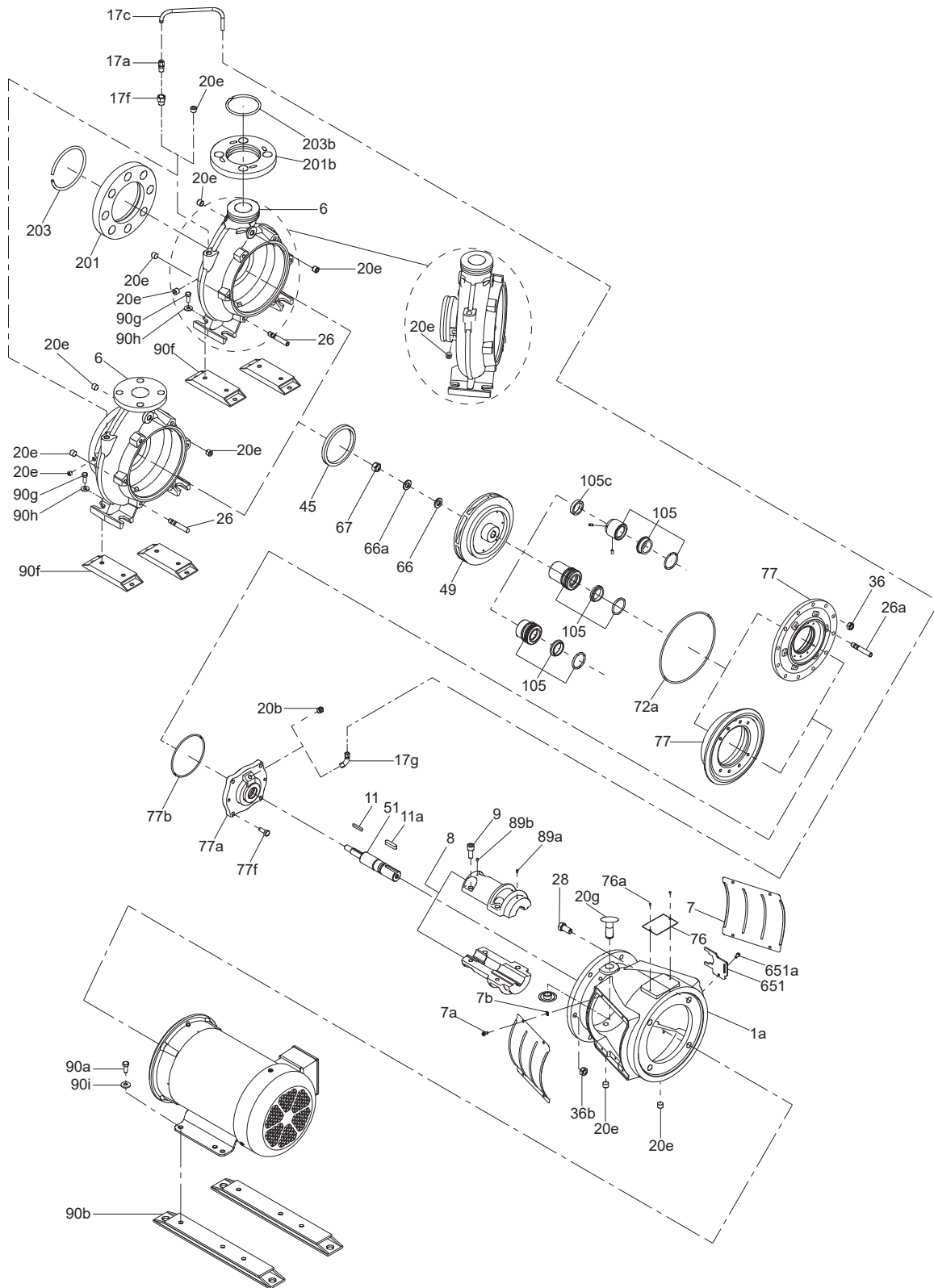
99184237

Spare, cable

99562728

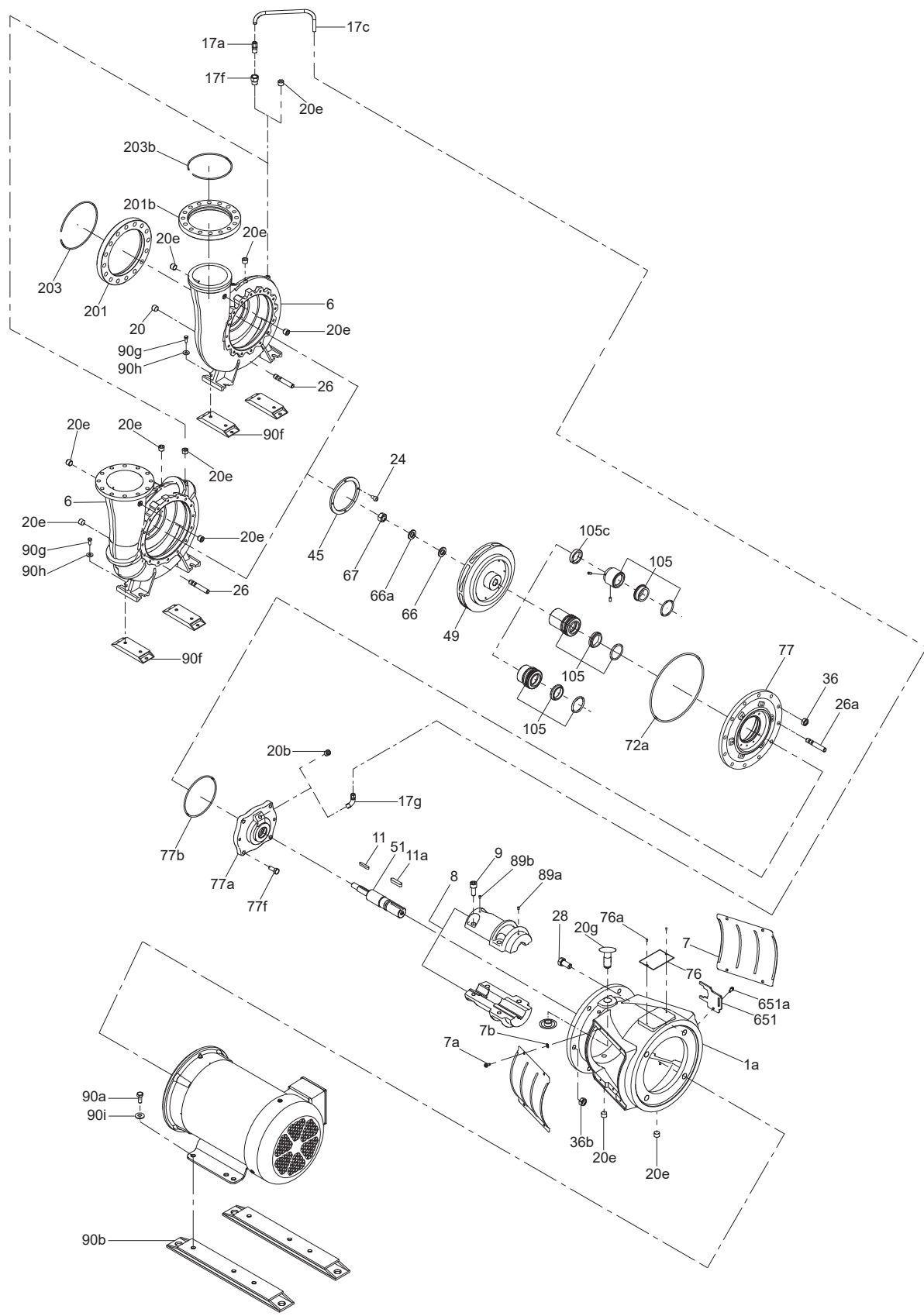
3. Exploded drawings

Center-line outlet



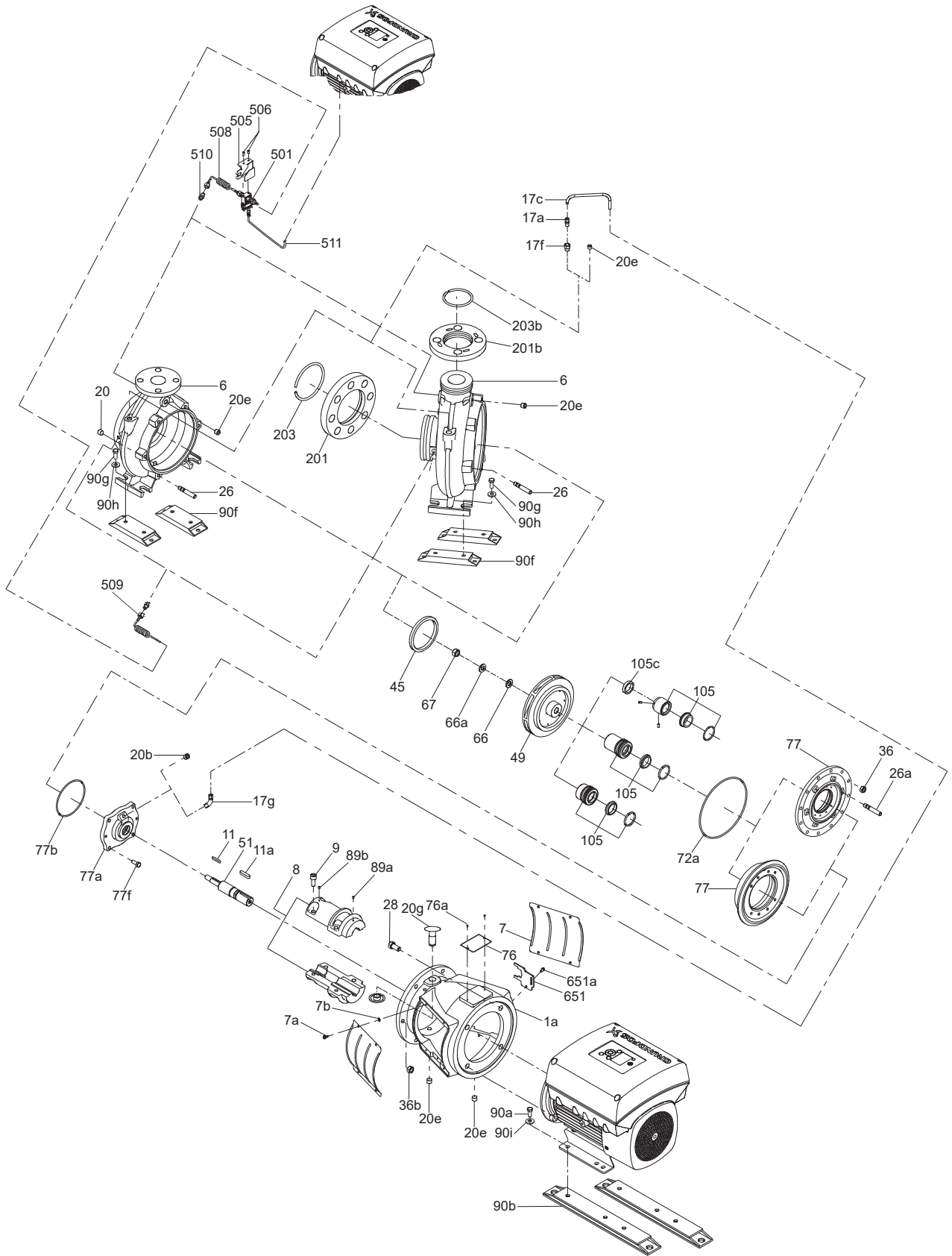
TM077164

Tangential outlet



TM077453

NBSE



TM077568

Argentina

Bombas GRUNDFOS de Argentina S.A.
Ruta Panamericana km. 37.500industin
1619 - Garín Pcia. de B.A.
Tel.: +54-3327 414 444
Fax: +54-3327 45 3190

Australia

GRUNDFOS Pumps Pty. Ltd.
P.O. Box 2040
Regency Park
South Australia 5942
Tel.: +61-8-8461-4611
Fax: +61-8-8340-0155

Austria

GRUNDFOS Pumpen Vertrieb Ges.m.b.H.
Grundfosstraße 2
A-5082 Grödig/Salzburg
Tel.: +43-6246-883-0
Fax: +43-6246-883-30

Belgium

N.V. GRUNDFOS Bellux S.A.
Boomssesteenweg 81-83
B-2630 Aartselaar
Tel.: +32-3-870 7300
Fax: +32-3-870 7301

Belarus

Представительство ГРУНДФОС в
Минске
220125, Минск
ул. Шафарнянская, 11, оф. 56, БЦ
«Порт»
Тел.: +375 17 397 397 3
+375 17 397 397 4
Факс: +375 17 397 397 1
E-mail: minsk@grundfos.com

Bosnia and Herzegovina

GRUNDFOS Sarajevo
Zmaja od Bosne 7-7A
BiH-71000 Sarajevo
Tel.: +387 33 592 480
Fax: +387 33 590 465
www.ba.grundfos.com
E-mail: grundfos@bih.net.ba

Brazil

BOMBAS GRUNDFOS DO BRASIL
Av. Humberto de Alencar Castelo Branco,
630
CEP 09850 - 300
São Bernardo do Campo - SP
Tel.: +55-11 4393 5533
Fax: +55-11 4343 5015

Bulgaria

Grundfos Bulgaria EOOD
Slatina District
Iztochna Tangenta street no. 100
BG - 1592 Sofia
Tel.: +359 2 49 22 200
Fax: +359 2 49 22 201
E-mail: bulgaria@grundfos.bg

Canada

GRUNDFOS Canada inc.
2941 Brighton Road
Oakville, Ontario
L6H 6C9
Tel.: +1-905 829 9533
Fax: +1-905 829 9512

China

GRUNDFOS Pumps (Shanghai) Co. Ltd.
10F The Hub, No. 33 Suhong Road
Minhang District
Shanghai 201106 PRC
Tel.: +86 21 612 252 22
Fax: +86 21 612 253 33

Columbia

GRUNDFOS Colombia S.A.S.
Km 1.5 vía Siberia-Cota Conj. Potrero
Chico,
Parque Empresarial Arcos de Cota Bod.
1A.
Cota, Cundinamarca
Tel.: +57(1)-2913444
Fax: +57(1)-8764586

Croatia

GRUNDFOS CROATIA d.o.o.
Buzinski prilaz 38, Buzin
HR-10010 Zagreb
Tel.: +385 1 6595 400
Fax: +385 1 6595 499
www.hr.grundfos.com

Czech Republic

GRUNDFOS Sales Czechia and Slovakia
s.r.o.
Čajkovského 21
779 00 Olomouc
Tel.: +420-585-716 111

Denmark

GRUNDFOS DK A/S
Martin Bachs Vej 3
DK-8850 Bjerringbro
Tel.: +45-87 50 50 50
Fax: +45-87 50 51 51
E-mail: info_GDK@grundfos.com
www.grundfos.com/DK

Estonia

GRUNDFOS Pumps Eesti OÜ
Peterburi tee 92G
11415 Tallinn
Tel.: + 372 606 1690
Fax: + 372 606 1691

Finland

OY GRUNDFOS Pumput AB
Trukkikuja 1
FI-01360 Vantaa
Tel.: +358-(0) 207 889 500

France

Pompes GRUNDFOS Distribution S.A.
Parc d'Activités de Chesnes
57, rue de Malcombe
F-38290 St. Quentin Fallavier (Lyon)
Tel.: +33-4 74 82 15 15
Fax: +33-4 74 94 10 51

Germany

GRUNDFOS GMBH
Schlüterstr. 33
40699 Erkrath
Tel.: +49-(0) 211 929 69-0
Fax: +49-(0) 211 929 69-3799
E-mail: infoservice@grundfos.de
Service in Deutschland:
kundendienst@grundfos.de

Greece

GRUNDFOS Hellas A.E.B.E.
20th km. Athinon-Markopoulou Av.
P.O. Box 71
GR-19002 Peania
Tel.: +0030-210-66 83 400
Fax: +0030-210-66 46 273

Hong Kong

GRUNDFOS Pumps (Hong Kong) Ltd.
Unit 1, Ground floor, Siu Wai Industrial
Centre
29-33 Wing Hong Street & 68 King Lam
Street, Cheung Sha Wan
Kowloon
Tel.: +852-27861706 / 27861741
Fax: +852-27858664

Hungary

GRUNDFOS Hungária Kft.
Tópark u. 8
H-2045 Törökbálint
Tel.: +36-23 511 110
Fax: +36-23 511 111

India

GRUNDFOS Pumps india Private Limited
118 Old Mahabalipuram Road
Thoraipakkam
Chennai 600 097
Tel.: +91-44 2496 6800

Indonesia

PT GRUNDFOS Pompa
Graha intirub Lt. 2 & 3
Jln. Cililitan Besar No.454. Makasar,
Jakarta Timur
ID-Jakarta 13650
Tel.: +62 21-469-51900
Fax: +62 21-460 6910 / 460 6901

Ireland

GRUNDFOS (Ireland) Ltd.
Unit A, Merrywell Business Park
Ballymount Road Lower
Dublin 12
Tel.: +353-1-4089 800
Fax: +353-1-4089 830

Italy

GRUNDFOS Pompe Italia S.r.l.
Via Gran Sasso 4
I-20060 Truccazzano (Milano)
Tel.: +39-02-95838112
Fax: +39-02-95309290 / 95838461

Japan

GRUNDFOS Pumps K.K.
1-2-3, Shin-Miyakoda, Kita-ku
Hamamatsu
431-2103 Japan
Tel.: +81 53 428 4760
Fax: +81 53 428 5005

Korea

GRUNDFOS Pumps Korea Ltd.
6th Floor, Aju Building 679-5
Yeoksam-dong, Kangnam-ku, 135-916
Seoul, Korea
Tel.: +82-2-5317 600
Fax: +82-2-5633 725

Latvia

SIA GRUNDFOS Pumps Latvia
Deglava biznesa centrs
Augusta Deglava ielā 60
LV-1035, Rīga,
Tel.: + 371 714 9640, 7 149 641
Fax: + 371 914 9646

Lithuania

GRUNDFOS Pumps UAB
Smolensko g. 6
LT-03201 Vilnius
Tel.: + 370 52 395 430
Fax: + 370 52 395 431

Malaysia

GRUNDFOS Pumps Sdn. Bhd.
7 Jalan Peguam U1/25
Glenmarie industrial Park
40150 Shah Alam, Selangor
Tel.: +60-3-5569 2922
Fax: +60-3-5569 2866

Mexico

Bombas GRUNDFOS de México
S.A. de C.V.
Boulevard TLC No. 15
Parque industrial Stiva Aeropuerto
Apodaca, N.L. 66600
Tel.: +52-81-8144 4000
Fax: +52-81-8144 4010

Netherlands

GRUNDFOS Netherlands
Veluwezoom 35
1326 AE Almere
Postbus 22015
1302 CA ALMERE
Tel.: +31-88-478 6336
Fax: +31-88-478 6332
E-mail: info_gnl@grundfos.com

New Zealand

GRUNDFOS Pumps NZ Ltd.
17 Beatrice Tinsley Crescent
North Harbour Industrial Estate
Albany, Auckland
Tel.: +64-9-415 3240
Fax: +64-9-415 3250

Norway

GRUNDFOS Pomper A/S
Stramsveien 344
Postboks 235, Leirdal
N-1011 Oslo
Tel.: +47-22 90 47 00
Fax: +47-22 32 21 50

Poland

GRUNDFOS Pompy Sp. z o.o.
ul. Klonowa 23
Baranowo k. Poznania
PL-62-081 Przemierowo
Tel.: (+48-61) 650 13 00
Fax: (+48-61) 650 13 50

Portugal

Bombas GRUNDFOS Portugal, S.A.
Rua Calvet de Magalhães, 241
Apartado 1079
P-2770-153 Paço de Arcos
Tel.: +351-21-440 76 00
Fax: +351-21-440 76 90

Romania

GRUNDFOS Pompe România SRL
S-PARK BUSINESS CENTER, Clădirea
A2, etaj 2
Str. Tipografilor, Nr. 11-15, Sector 1, Cod
013714
Bucuresti, Romania
Tel.: 004 021 2004 100
E-mail: romania@grundfos.ro

Russia

ООО Грундфос Россия
ул. Школьная, 39-41
Москва, RU-109544, Russia
Тел. (+7) 495 564-88-00 (495) 737-30-00
Факс (+7) 495 564 8811
E-mail grundfos.moscow@grundfos.com

Serbia

Grundfos Srbija d.o.o.
Omladinskih brigada 90b
11070 Novi Beograd
Tel.: +381 11 2258 740
Fax: +381 11 2281 769
www.rs.grundfos.com

Singapore

GRUNDFOS (Singapore) Pte. Ltd.
25 Jalan Tukang
Singapore 619264
Tel.: +65-6681 9688
Fax: +65-6681 9689

Slovakia

GRUNDFOS s.r.o.
Prievozská 4D 821 09 BRATISLAVA
Tel.: +421 2 5020 1426
sk.grundfos.com

Slovenia

GRUNDFOS LJUBLJANA, d.o.o.
Leskoškova 9e, 1122 Ljubljana
Tel.: +386 (0) 1 568 06 10
Fax: +386 (0) 1 568 06 19
E-mail: tehniko-si@grundfos.com

South Africa

GRUNDFOS (PTY) LTD
16 Lascelles Drive, Meadowbrook Estate
1609 Germiston, Johannesburg
Tel.: (+27) 10 248 6000
Fax: (+27) 10 248 6002
E-mail: lgradidge@grundfos.com

Spain

Bombas GRUNDFOS España S.A.
Camino de la Fuenteclilla, s/n
E-28110 Algete (Madrid)
Tel.: +34-91-848 8800
Fax: +34-91-628 0465

Sweden

GRUNDFOS AB
Box 333 (Lunnagårdsgatan 6)
431 24 Mölndal
Tel.: +46 31 332 23 000
Fax: +46 31 331 94 60

Switzerland

GRUNDFOS Pumpen AG
Bruggacherstrasse 10
CH-8117 Fällanden/ZH
Tel.: +41-44-806 8111
Fax: +41-44-806 8115

Taiwan

GRUNDFOS Pumps (Taiwan) Ltd.
7 Floor, 219 Min-Chuan Road
Taichung, Taiwan, R.O.C.
Tel.: +886-4-2305 0868
Fax: +886-4-2305 0878

Thailand

GRUNDFOS (Thailand) Ltd.
92 Chaloom Phrakiat Rama 9 Road
Dokmai, Pravej, Bangkok 10250
Tel.: +66-2-725 8999
Fax: +66-2-725 8998

Turkey

GRUNDFOS POMPA San. ve Tic. Ltd. Sti.
Gebze Organize Sanayi Bölgesi
Ihsan dede Caddesi
2. yol 200. Sokak No. 204
41490 Gebze/ Kocaeli
Tel.: +90 - 262-679 7979
Fax: +90 - 262-679 7905
E-mail: satis@grundfos.com

Ukraine

Бізнес Центр Європа
Столичне шосе, 103
м. Київ, 03131, Україна
Tel.: (+38 044) 237 04 00
Fax: (+38 044) 237 04 01
E-mail: ukraine@grundfos.com

United Arab Emirates

GRUNDFOS Gulf Distribution
P.O. Box 16768
Jebel Ali Free Zone, Dubai
Tel.: +971 4 8815 166
Fax: +971 4 8815 136

United Kingdom

GRUNDFOS Pumps Ltd.
Grovebury Road
Leighton Buzzard/Beds. LU7 4TL
Tel.: +44-1525-850000
Fax: +44-1525-850011

U.S.A.

GRUNDFOS Water Utility Headquarters
856 Koomey Road
Brookshire, Texas 77423 USA

Uzbekistan

Grundfos Tashkent, Uzbekistan
The Representative Office of Grundfos
Kazakhstan in Uzbekistan
38a, Oybek street, Tashkent
Tel.: (+998) 71 150 3290 / 71 150 3291
Fax: (+998) 71 150 3292

Order Online: www.PumpCatalog.com