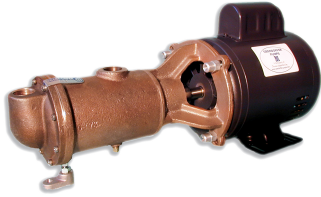


GEAR PUMPS

GEAR PUMPS SERIES 101

PERFORMANCE



FEATURES

- All Bronze or Corrosion Resistant Aluminum Construction
- Easily Mounted in Field to Your Own 56 Frame
- Motor & 56C For Explosion-Proof Motors
- Carbon Face Mechanical Seal
- Quiet Running
- Can Handle Contaminated Liquids
- Nitrile Stator and Stainless Steel Rotor

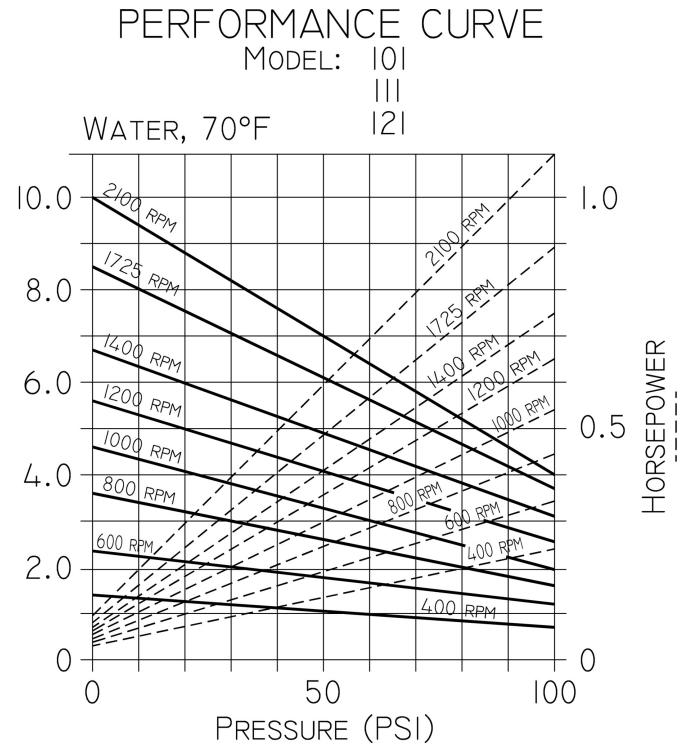
DRIVE

ELECTRIC MOTOR MOUNTING

This pump is supplied close coupled to electric motor or as a pump alone complete with attaching parts and instructions for mounting. Any 56 frame electric motor (or 56C frame) with 5/8 inch shaft diameter, 1725 R.P.M. and of horsepower rating as listed can be used. The motor can be rigid or resilient mounted, sleeve or ball bearings, 50oC rise, capacitor start, counter-clockwise, rotation from shaft end. (For Gas Engine version, see models 111-UGY/111B-UGY) (FOR PERFORMANCE AT REDUCED MOTOR SPEEDS, SEE MODEL 121/121B)

LIQUIDS AND TEMPERATURE

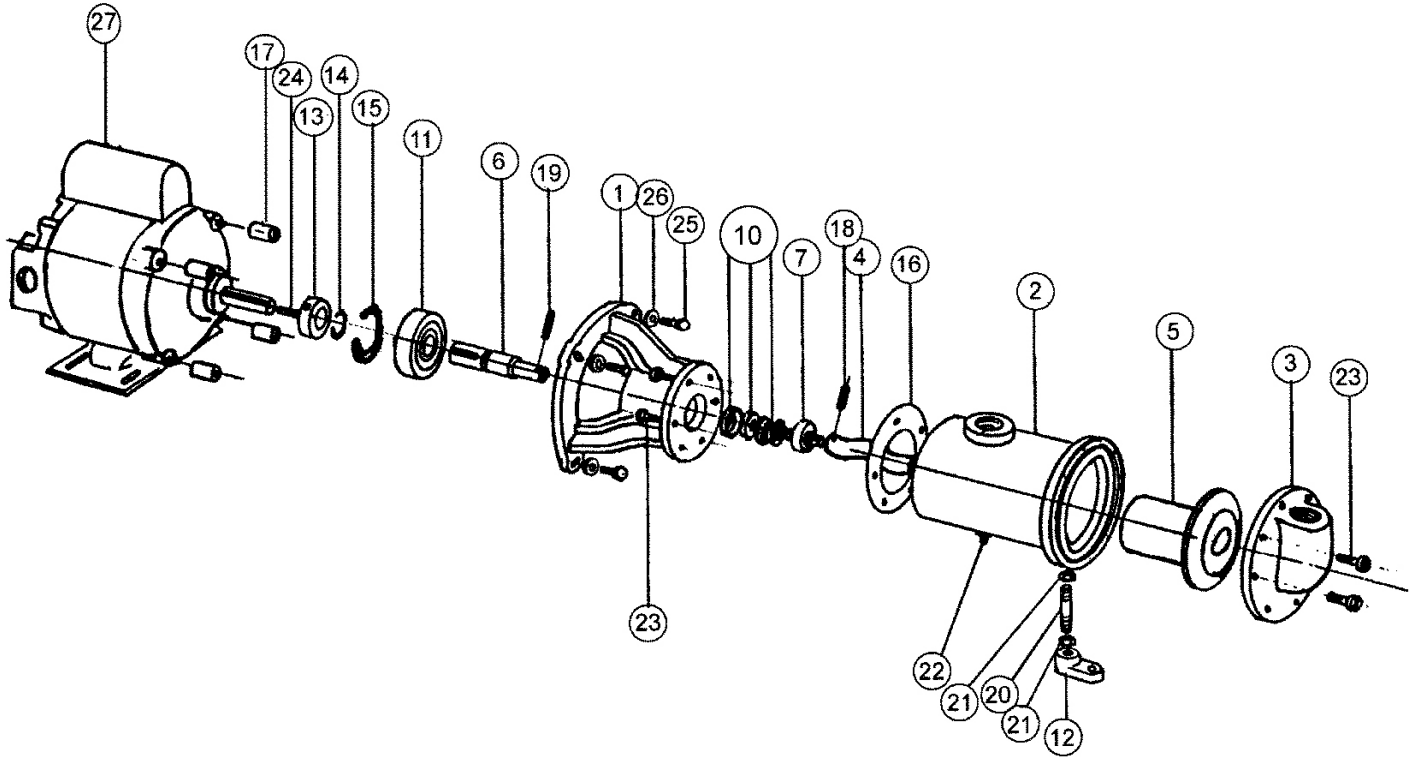
The corrosion resistant alloys used are compatible with common liquids including water, water solutions, oils and many commercial chemicals. Severe solvents are not compatible with the Nitrile and should not be pumped.



SUCTION LIFT

Close fit of the rotor within the stator permits lifting of liquid on the suction side as high as 20 ft.

EXPLODED VIEW AND PARTS LIST

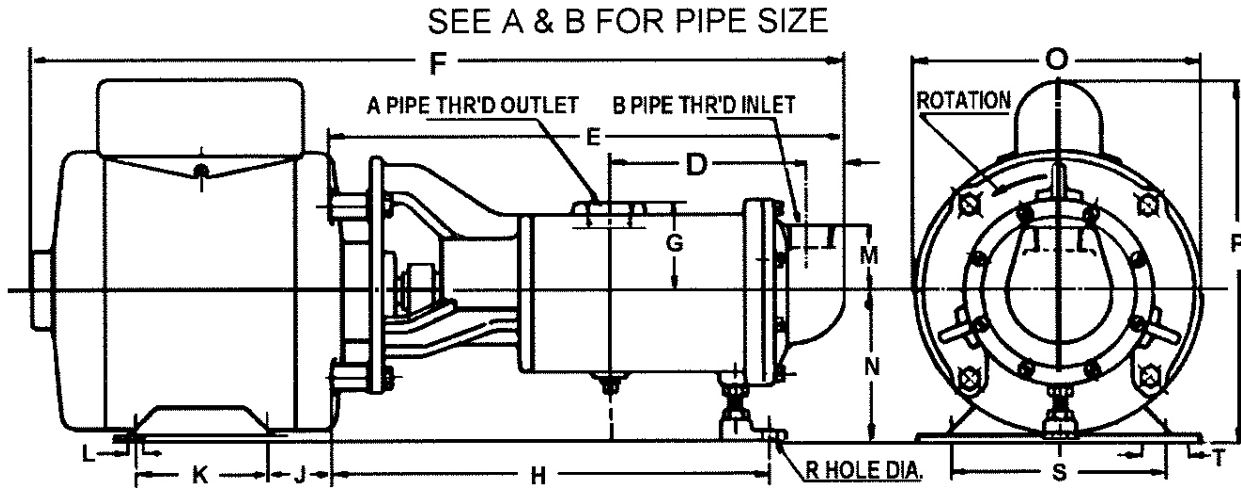


Pump No.	1	2	3	4*	5*	6	7	10*	11	12	13	14	15	16*	17	18*	19*
	Adapter Bracket	Body	Cover	Rotor	Stator	Drive Shaft	Universal Joint	Seal Assem.	Ball Bearing	Foot	Collar	Retaining Ring	Retaining Ring	Gasket	Nut	Pin	Pin
	1 Reqd	1 Reqd	1 Reqd	1 Reqd	1 Reqd	1 Reqd	1 Reqd	1 Reqd	1 Reqd	1 Reqd	1 Reqd	1 Reqd	1 Reqd	1 Reqd	1 Reqd	1 Reqd	1 Reqd
101 J25	5871	5873	5872	5890	5891	5875	5874	32156	5884	5881	5886	5885	6053	5882	6350	5888	5889
101 M07	5871	5873	5872	5890	5891	5875	5874	32156	5884	5881	5886	5885	6053	5882	6350	5888	5889
101B J25	7213	6897	6896	5890	5891	5875	5874	32156	5884	5881	5886	5885	6053	5882	6350	5888	5889
101B M07	7213	6897	6896	5890	5891	5875	5874	32156	5884	5881	5886	5885	6053	5882	6350	5888	5889

* Repair Kit No. 10737 include these parts and compression plate tool for seal removal

20	21	22	23	24	25	26	27
Body	Nut	Plug	Screw	Key	Stud	Acorn Nut	Motor
1 Reqd	2 Reqd	1 Reqd	14 Reqd	1 Reqd	4 Reqd	4 Reqd	1 Reqd
5873	5597	5908	5897	5912	6349	6351	5918
5873	5597	5908	5897	5912	6349	6351	5913
6897	5597	5908	5897	5912	6349	6351	5918
6897	5597	5908	5897	5912	6349	6351	5913

DIMENSIONS



ROTATION

This helical rotor design demands a single rotation - clockwise when facing the pump drive shaft. Pump rotation and "in" and "out" ports are indicated on the dimension diagrams.