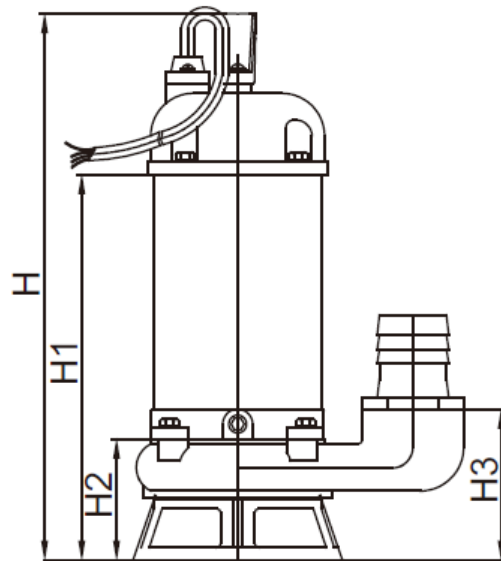
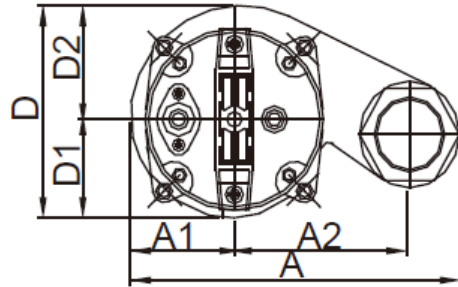




SC-100



| Type | DISCHARGE | A | A1 | A2 | D | D1 | D2 | H | H1 | H2 | H3 |
|--------|-----------|------|------|------|------|------|------|-------|--------|------|------|
| INCHES | 2" | 9.96 | 3.74 | 6.22 | 7.48 | 3.74 | 3.74 | 18.9" | 13.11" | 4.17 | 4.96 |

Specifications subject to change without notice