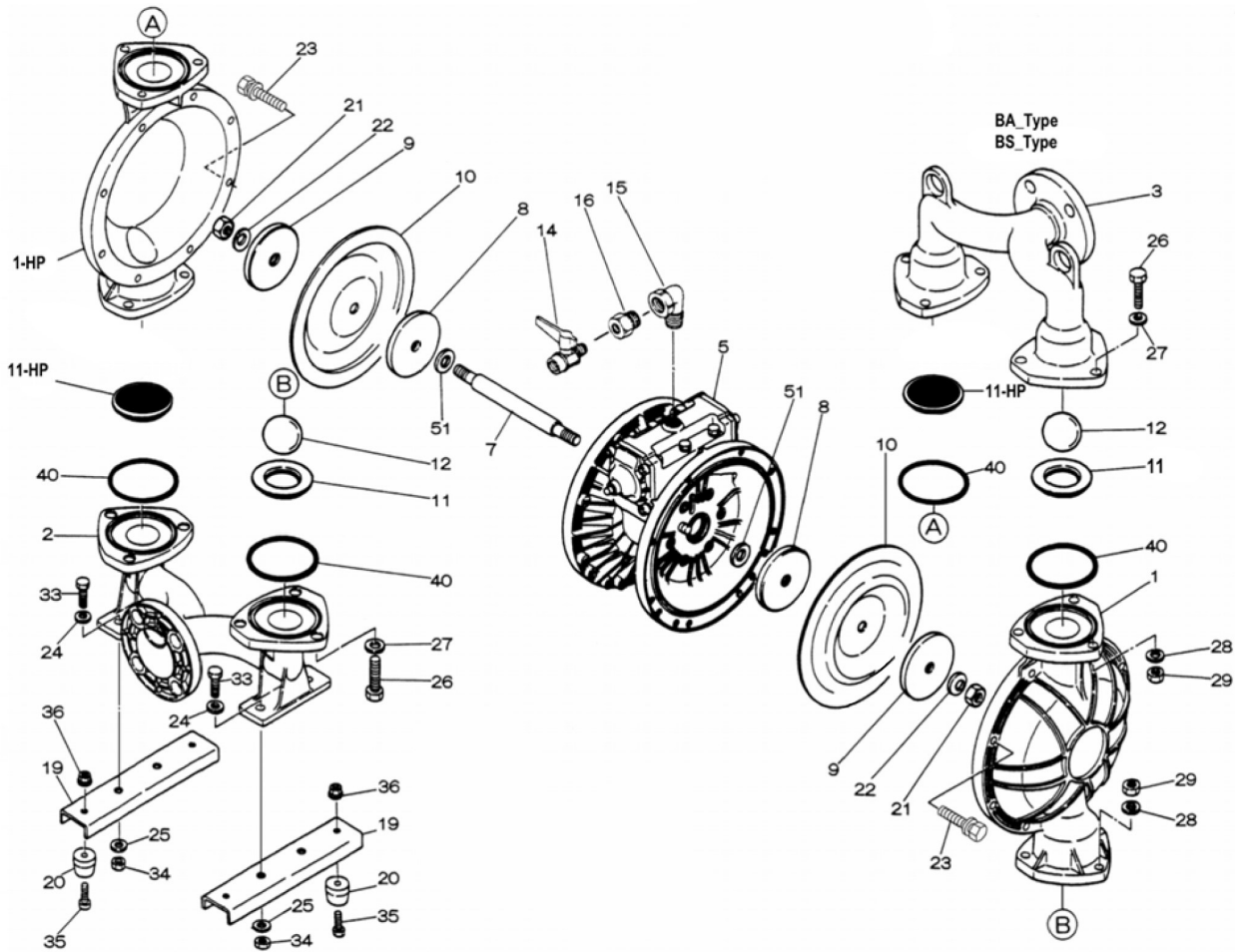


EXPLODED VIEW & PARTS LISTING

Model: NDP-80 Aluminum-HP
High Pressure Pumps

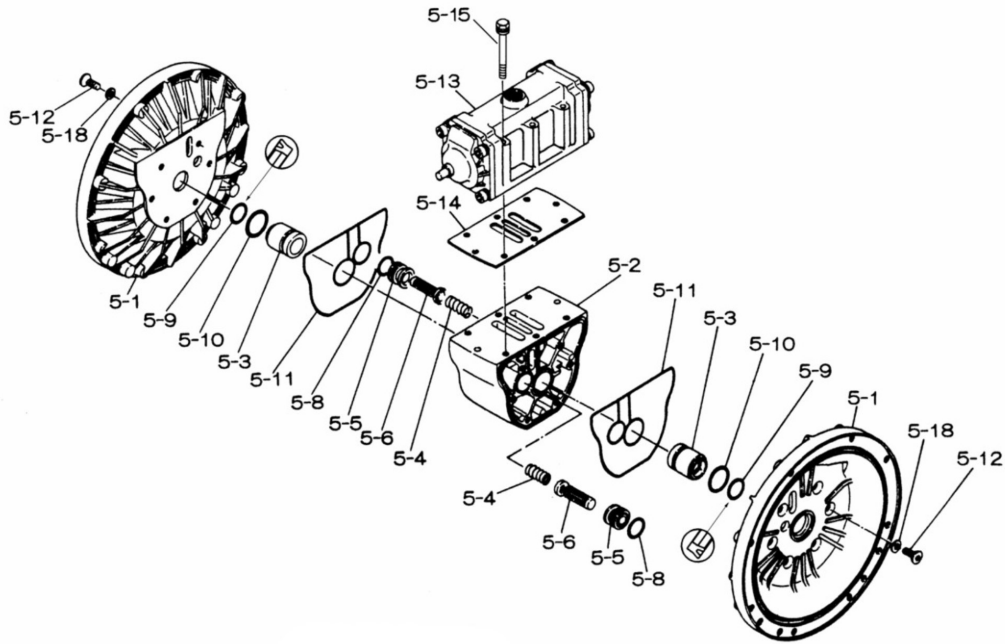


Air Operated Double Diaphragm Pump

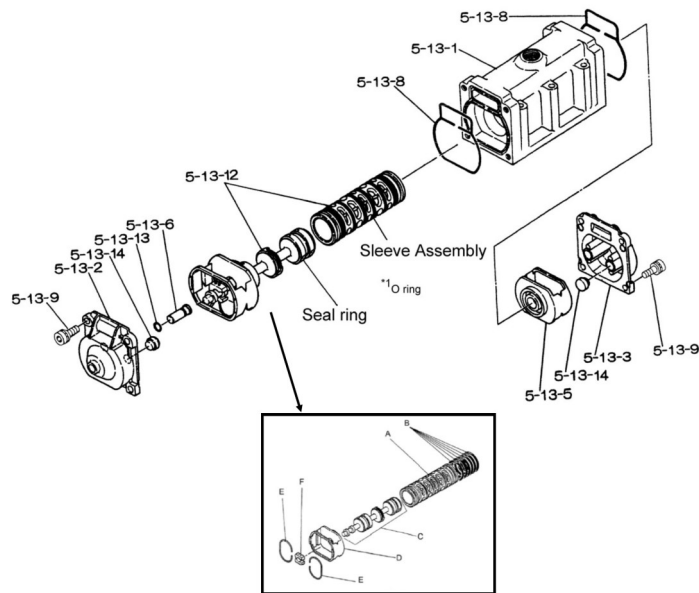


Air Operated Double Diaphragm Pump

■ Body Assembly



■ Valve Body Assembly



Air Operated Double Diaphragm Pump

	NDP-80BAC-HP	NDP-80BAN-HP	NDP-80BAE-HP	NDP-80BAV-HP	NDP-80BAH-HP	NDP-80BAS-HP			
REF No.	PARTS No.	PARTS No.	PARTS No.	PARTS No.	PARTS No.	PARTS No.	DESCRIPTION	QTY.	REORDER
	852429-HP	852238-HP	852430-HP	852306-HP	852239-HP	852725-HP	Hi-Pressure Pumps		
1	580962	580962	580962	580962	580962	580962	OUT CHAMBER	1	
1-HP	580962-HP	580962-HP	580962-HP	580962-HP	580962-HP	580962-HP	OUT CHAMBER-HP	1	
2	714371	714371	714371	714371	714371	714371	IN MANIFOLD	1	
3	714365	714365	714365	714365	714365	714365	OUT MANIFOLD	1	
5	803113-HP	803113-HP	803113-HP	803113-HP	803113-HP	803113-HP	BODY ASSEMBLY	1	
5-1	711934	711934	711934	711934	711934	711934	AIR CHAMBER	2	
5-2	711936-HP	711936-HP	711936-HP	711936-HP	711936-HP	711936-HP	BODY	1	
5-3	772689	772689	772689	772689	772689	772689	THROAT BEARING	2	
5-4	711937	711937	711937	711937	711937	711937	SPRING	2	
5-5	771740	771740	771740	771740	771740	771740	VALVE SEAT	2	
5-6	832163	832163	832163	832163	832163	832163	PILOT VALVE ASSY.	2	
5-8	640020	640020	640020	640020	640020	640020	O-RING	2	
5-9	685444	685444	685444	685444	685444	685444	PACKING	2	
5-10	640029	640029	640029	640029	640029	640029	O-RING	2	
5-11	771742	771742	771742	771742	771742	771742	GASKET	2	
5-12	683812	683812	683812	683812	683812	683812	FLAT HEAD BOLD	12	
5-13	802971	802971	802971	802971	802971	802971	VALVE BODY ASSY.	1	
5-13-1	711931	711931	711931	711931	711931	711931	VALVE BODY	1	
5-13-2	580999	580999	580999	580999	580999	580999	CAP A	1	
5-13-3	581000	581000	581000	581000	581000	581000	CAP B	1	
5-13-5	771735	771735	771735	771735	771735	771735	SPRING STOPPER	1	
5-13-6	712976	712976	712976	712976	712976	712976	RESET BUTTON	1	
5-13-8	771738	771738	771738	771738	771738	771738	GASKET	2	
5-13-9	685036	685036	685036	685036	685036	685036	BOLT	8	
5-13-12*	805084	805084	805084	805084	805084	805084	C-SPOOL VALVE ASSY.	1	
5-13-12*1	803675	803675	803675	803675	803675	803675	SLEEVE ASSY.	1	
5-13-13	640005	640005	640005	640005	640005	640005	O-RING	1	
5-13-14	684128	684128	684128	684128	684128	684128	CUSHION	4	
5-14	771712	771712	771712	771712	771712	771712	GASKET	1	
5-15	684240	684240	684240	684240	684240	684240	BOLT	6	
5-18	684987	684987	684987	684987	684987	684987	PLAIN WASHER	12	
7	711901	711901	711901	711901	711901	711901	CENTER ROD	1	
8	711906	711906	711906	711906	711906	711906	CENTER DISK	4	
10	771857	771704	771858	771801	771705	771977	DIAPHRAGM	2	
11	771958	771996	771999	771998	771795	772005	VALVE SEAT	2	
11-HP	711910-HP	711910-HP	711910-HP	711910-HP	711910-HP	711910-HP	VALVE SEAT-HP	2	
12	770559	770587	770596	770605	770587	770596	BALL	2	
14	686974	686974	686974	686974	686974	686974	BALL VALVE	1	
15	682523	682523	682523	682523	682523	682523	ELBOW	1	
19	711912	711912	711912	711912	711912	711912	PUMP BASE	2	
20	771402	771402	771402	771402	771402	771402	CUSHION	4	
21	683408	683408	683408	709144	683408	683408	NUT	2	
22	682740	682740	682740	682740	682740	682740	CONED DISK SPRING	2	
23	686163	686163	686163	686163	686163	686163	BOLT	16	
23a	631917	631917	631917	631917	631917	631917	WAVE SPRING WASHER	16	

Air Operated Double Diaphragm Pump

	NDP-80BAC-HP	NDP-80BAN-HP	NDP-80BAE-HP	NDP-80BAV-HP	NDP-80BAH-HP	NDP-80BAS-HP			
REF No.	PARTS No.	PARTS No.	PARTS No.	PARTS No.	PARTS No.	PARTS No.	DESCRIPTION	QTY.	REORDER
	852429-HP	852238-HP	852430-HP	852306-HP	852239-HP	852725-HP	Hi-Pressure Pumps		
24	631014	631014	631014	631014	631014	631014	PLAIN WASHER	4	
25	631917	631917	631917	631917	631917	631917	WAVE SPRING WASHER	4	
26	611204	611204	611204	611204	611204	611204	BOLT	12	
27	631015	631015	631015	631015	631015	631015	PLAIN WASHER	12	
28	631918	631918	631918	631918	631918	631918	WAVE SPRING WASHER	12	
29	627014	627014	627014	627014	627014	627014	NUT	12	
33	611177	611177	611177	611177	611177	611177	BOLT	4	
34	627013	627013	627013	627013	627013	627013	NUT	4	
35	611149	611149	611149	611149	611149	611149	BOLT	4	
36	682276	682276	682276	682276	682276	682276	NUT W/FLANGE	4	
40	640078	640078	684124	642078	640078	684124	O-RING	4	
42	686164	686164	686164	686164	686164	686164	BOLT	4	
42a	631917	631917	631917	631917	631917	631917	WASHER	4	
KIT	K80-AM	K80-AM	K80-AM	K80-AM	K80-AM	K80-AM	AIR MOTOR REBUILD KIT		

Not Shown: Hose Assembly with Fittings

General Tools:

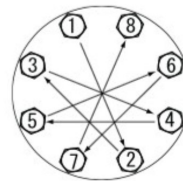
- Socket wrench - 13mm, 17mm, 19mm, 24mm
- Hexagonal box wrench - 5mm, 6mm
- Small crowbars—2 (C/N/EV)
- Open-end wrench - 19mm, 24mm
- Plastic hammer

Special Tools:

- Sleeve remover (713180) used for removing the sleeve (sold separately)

Miscellaneous:

- Assembly Oil - Turbine oil none additional class 1 (equivalent to ISO VGA32 grade)
- Nuts - M16 x 1.5
- Thread Locker
- Urea grease grade (NLGI) No. 2



Tightening torque for center rod and out chambers.

Center Rod 43 ft-lbf {60 N-m}
Out Chambers 29 ft-lbf {40 N-m}

Tightening torque for manifold retainer bolts.
BA_ 18 ft-lbf {25 N-m}

Customer Notes	
Model #:	_____
Description:	_____
Serial #:	_____
Date Installed:	_____
Department Location:	_____
Tag/Project:	_____