

## ELECTRONIC PRICING CATALOG NAVIGATION INSTRUCTIONS



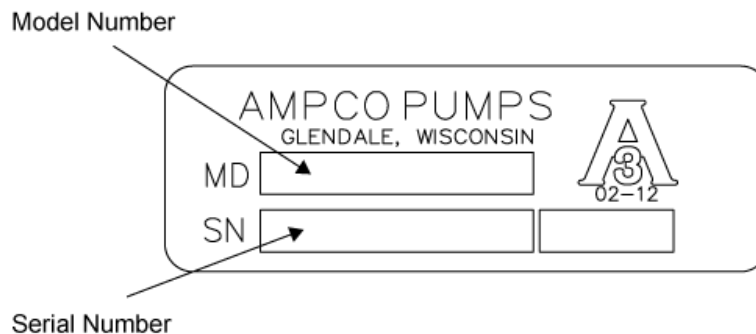
Questions? Call **1-800-810-1053**

### Select by Pump Model:

If you know what pump you are looking for, you can use the 'Bookmarks' tab on the left and select the pump model which you are trying to access. Clicking in the Bookmark will take you to the page you are looking for.

If there are no tabs on the left (bookmarks, signatures, layers, pages), you can use the top menu to make them appear. Goto VIEW > SHOW/HIDE > NAVIGATION PANES > BOOKMARKS and they will appear.

**Sample Pump ID Tag:** See the illustration below for help identifying the location of the Model number and Serial number on the pump ID tag.



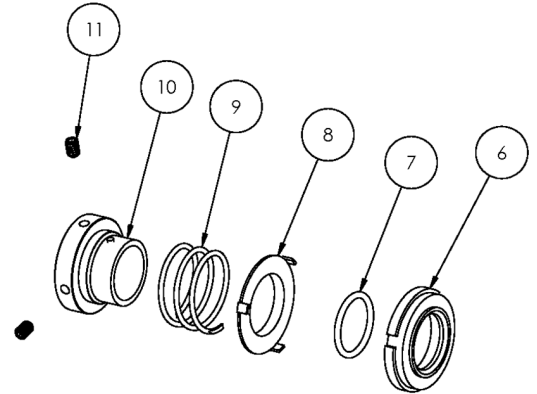
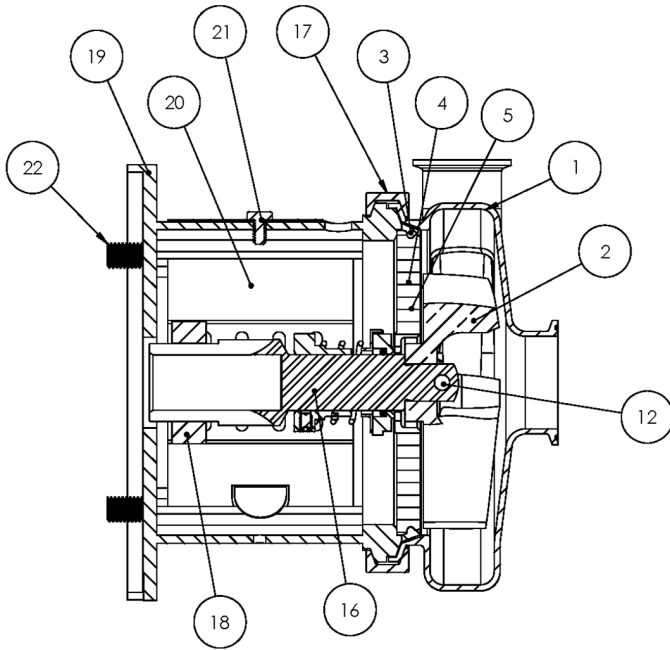
*Please reference your serial number when ordering replacement parts.*

### Select by Part Number:

If you know an exact part number you are looking for, simply hit CONTROL+F and that will bring up the find feature. You may also use the menu, goto EDIT > FIND to bring up the same feature.

Type in your part number and it will show you all instances of that item in the catalog. If you only know some of the part number (i.e. SP328), that will also help and show all occurrences of those numbers together.

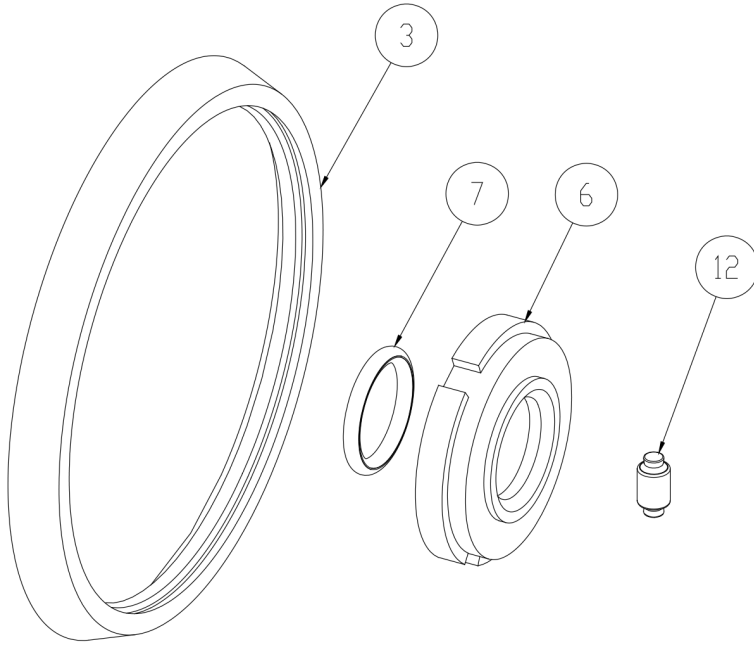
Be advised that partials of part number can return a large amount of results.



**Exploded View**

*Optional Items Shown in ITALICS*

Ref #	Component Item No.	Description	Qty Per
1	<b>S114M-01C-316L</b>	<b>CASING,1-1/2X1-1/2,TRI-CLMP C114/C+114</b>	1
	<i>S114T-01C</i>	<i>CASING,1-1/2X1-1/2,BVL SEAT C114/C+114</i>	1
	<i>S114MI-01C</i>	<i>CASING,1-1/2X1-1/2,GLASS BEAD C114/C+114</i>	1
	<i>S114S-01C</i>	<i>CASING,1-1/2X1-1/2,NPT C114/C+114</i>	1
	<i>S114F-01D</i>	<i>CASING,1-1/2X1-1/2,FLNGD C114/C+114</i>	1
2	<b>S114-02C-316L</b>	<b>IMPELLER,114/214 C UNIVERSAL</b>	1
3	<b>S114-90A-U</b>	<b>GASKET,114,CASING,BUNA C C+</b>	1
	<i>S114-90A-E</i>	<i>GASKET,114,CASING,EPDM C C+</i>	1
	<i>S114-90A-V</i>	<i>GASKET,114,CASING,VIT C C+</i>	1
4	<b>114D-11-316</b>	<b>BACKPLATE,D,114 C C+</b>	1
5	<b>216D-11-1-S</b>	<b>PIN,BACKPLT,114/216/328 C C+</b>	2
6	<b>114E-80-1A</b>	<b>SEAL,114/214,CARBON C C+</b>	1
7	<b>60C-3-34A-U</b>	<b>O-RING,114/214,SEAL,BUNA C C+</b>	1
	<i>60C-3-34A-E</i>	<i>O-RING,114,SEAL,EPDM C C+</i>	1
	<i>60C-3-34A-V</i>	<i>O-RING,114,SEAL,FDA/3-A,VIT C C+</i>	1
8	<b>114D-80-3P</b>	<b>CUP,D,114/214+114/214 C C+</b>	1
9	<b>114D-80-4</b>	<b>SPRING,D,114/214 C C+</b>	1
10	<b>SP114D-23P-316L</b>	<b>COLLAR,D,+114,DRIVE C+</b>	1
11	<b>SC1105A-SS</b>	<b>SCREW,SET,DRV COLLR,1/4-20X3/8 -SS</b>	2
12	<b>114D-24B-316L</b>	<b>RETAINER,IMPLR</b>	1
16	<b>C114E56T-06</b>	<b>STUBSHAFT,56C,UNIVRSL C114</b>	1
17	<b>S114-75AR-S</b>	<b>CLAMP,114,CASING C C+</b>	1
18	<b>SX18000013</b>	<b>COLLAR,56C/140TC,SHAFT L SEE ITEM NOTES</b>	1
19	<b>114E56T-71C-SS</b>	<b>ADAPTER,56C-140TC FRAME,SS C114/C+114</b>	1
20	<b>C114-56T-131A-S</b>	<b>GUARD,SEAL,114/214,SS C C+ CB+ IC+ 056C</b>	1
21	<b>GX5079600</b>	<b>CAPSCRW,HX,1/4-20X1/2,18-8SS HX HD</b>	1
22	<b>GX5077100</b>	<b>CAPSCRW,HX,3/8-16X1,18-8SS HX HD</b>	4

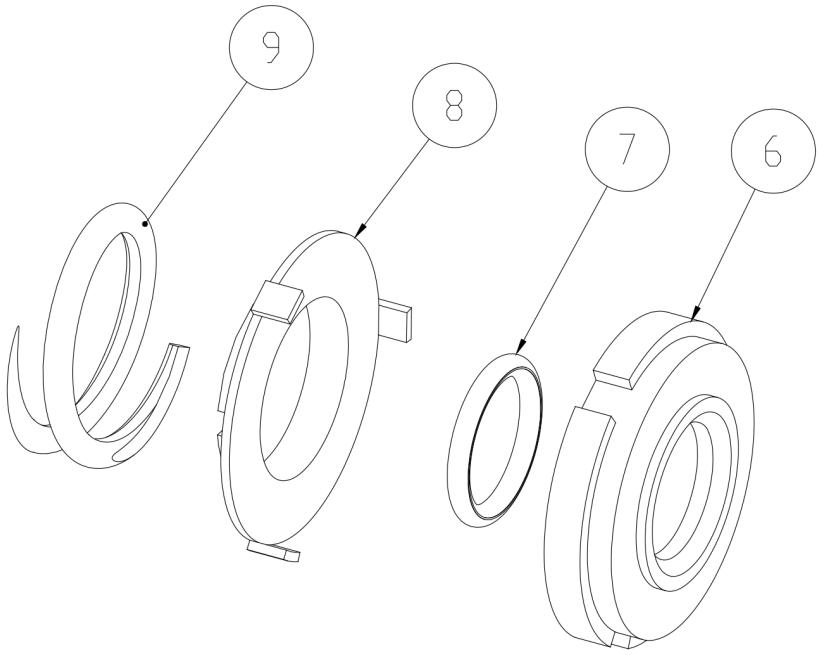


3	Casing Gasket
6	Seal Carbon
7	Seal O-Ring
12	Impeller Pin

**Seal Kit #1**

*Optional Items Shown in ITALICS*

Ref #	Component Item No.	Description	Qty Per
1	<b>KIT#1-C114-B</b>	<b>KIT,#1,SEAL,114,BUNA</b>	<b>1</b>
	<i>KIT#1-C114-E</i>	<i>KIT,#1,SEAL,114,EPDM C</i>	<i>1</i>
	<i>KIT#1-C114-S</i>	<i>KIT,#1,SEAL,114,SFY,VIT C</i>	<i>1</i>

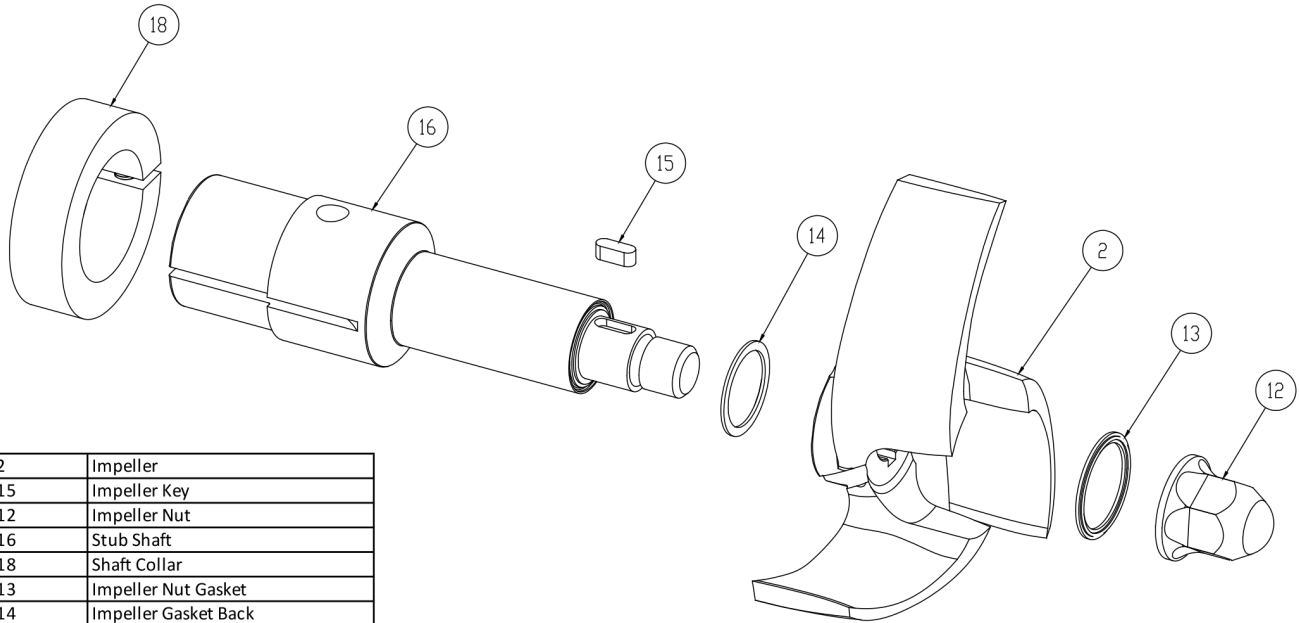


6	Seal Carbon
7	Seal O-Ring
8	Cup D Seal
9	Spring D Seal

**Seal Kit #3**

*Optional Items Shown in ITALICS*

Ref #	Component Item No.	Description	Qty Per
1	<b>KIT#3-C114-B</b>	<b>KIT,#3,114,SEAL,BUNA C</b>	<b>1</b>
	<i>KIT#3-C114-E</i>	<i>KIT,#3,SEAL,114,EPDM C</i>	<i>1</i>
	<i>KIT#3-C114-S</i>	<i>KIT,#3,SEAL,114,SFY,VIT C</i>	<i>1</i>

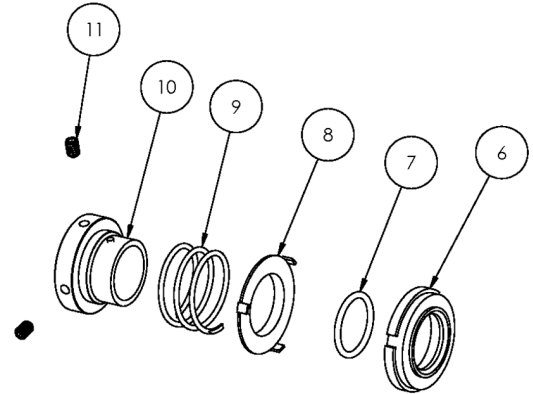
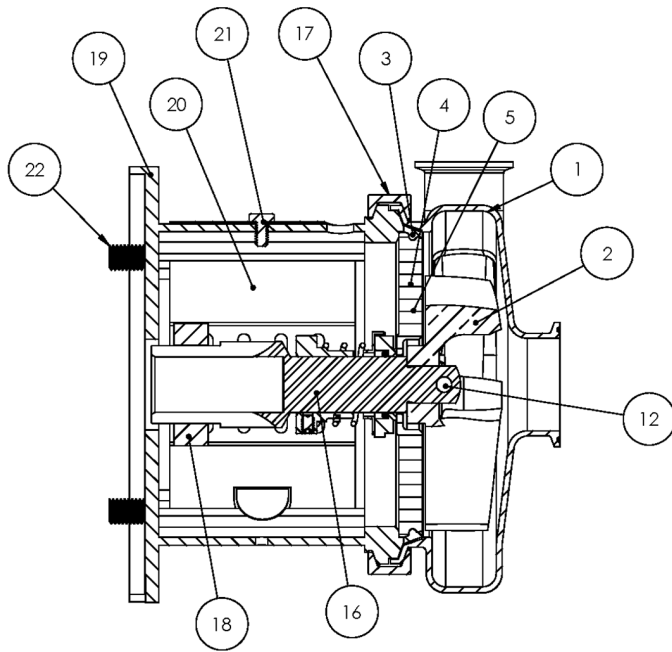


2	Impeller
15	Impeller Key
12	Impeller Nut
16	Stub Shaft
18	Shaft Collar
13	Impeller Nut Gasket
14	Impeller Gasket Back

**AC+ Conversion Kit**

*Optional Items Shown in ITALICS*

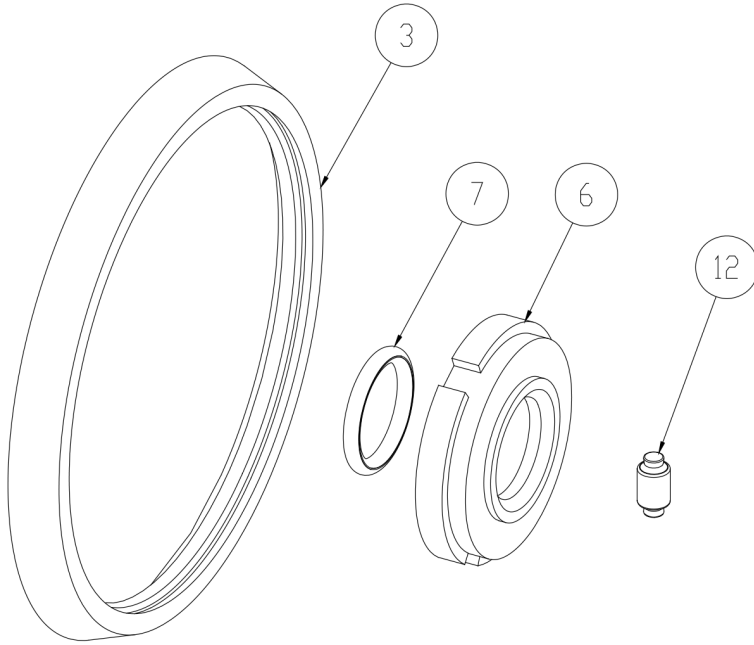
Ref #	Component Item No.	Description	Qty Per
1	<b>C+KIT-114/56</b>	<b>KIT,114,56TC,C+CONVRT,BUNA C</b>	<b>1</b>
	<i>C+KIT-114/56-E</i>	<i>KIT,114,56TC,C+CONVRT,EPDM C</i>	<i>1</i>
	<i>C+KIT-114/56-V</i>	<i>KIT,114,56TC,C+CONVRT,VIT C</i>	<i>1</i>



**Exploded View**

*Optional Items Shown in ITALICS*

Ref #	Component Item No.	Description	Qty Per
1	<b>S114M-01C-316L</b>	<b>CASING,1-1/2X1-1/2,TRI-CLMP C114/C+114</b>	1
	<i>S114T-01C</i>	<i>CASING,1-1/2X1-1/2,BVL SEAT C114/C+114</i>	1
	<i>S114MI-01C</i>	<i>CASING,1-1/2X1-1/2,GLASS BEAD C114/C+114</i>	1
	<i>S114S-01C</i>	<i>CASING,1-1/2X1-1/2,NPT C114/C+114</i>	1
	<i>S114F-01D</i>	<i>CASING,1-1/2X1-1/2,FLNGD C114/C+114</i>	1
2	<b>S114-02C-316L</b>	<b>IMPELLER,114/214 C UNIVERSAL</b>	1
3	<b>S114-90A-U</b>	<b>GASKET,114,CASING,BUNA C C+</b>	1
	<i>S114-90A-E</i>	<i>GASKET,114,CASING,EPDM C C+</i>	1
	<i>S114-90A-V</i>	<i>GASKET,114,CASING,VIT C C+</i>	1
4	<b>114D-11-316</b>	<b>BACKPLATE,D,114 C C+</b>	1
5	<b>216D-11-1-S</b>	<b>PIN,BACKPLT,114/216/328 C C+</b>	2
6	<b>114E-80-1A</b>	<b>SEAL,114/214,CARBON C C+</b>	1
7	<b>60C-3-34A-U</b>	<b>O-RING,114/214,SEAL,BUNA C C+</b>	1
	<i>60C-3-34A-E</i>	<i>O-RING,114,SEAL,EPDM C C+</i>	1
	<i>60C-3-34A-V</i>	<i>O-RING,114,SEAL,FDA/3-A,VIT C C+</i>	1
8	<b>114D-80-3P</b>	<b>CUP,D,114/214+114/214 C C+</b>	1
9	<b>114D-80-4</b>	<b>SPRING,D,114/214 C C+</b>	1
10	<b>SP114D-23P-316L</b>	<b>COLLAR,D,+114,DRIVE C+</b>	1
11	<b>SC1105A-SS</b>	<b>SCREW,SET,DRV COLLR,1/4-20X3/8 -SS</b>	2
12	<b>114D-24B-316L</b>	<b>RETAINER,IMPLR</b>	1
16	<b>C114E-14T-06</b>	<b>STUBSHAFT,140TC,UNIVRSL C114</b>	1
17	<b>S114-75AR-S</b>	<b>CLAMP,114,CASING C C+</b>	1
18	<b>SX18000013</b>	<b>COLLAR,56C/140TC,SHAFT L SEE ITEM NOTES</b>	1
19	<b>114E56T-71C-SS</b>	<b>ADAPTER,56C-140TC FRAME,SS C114/C+114</b>	1
20	<b>C114-56T-131A-S</b>	<b>GUARD,SEAL,114/214,SS C C+ CB+ IC+ 056C</b>	1
21	<b>GX5079600</b>	<b>CAPSCRW,HX,1/4-20X1/2,18-8SS HX HD</b>	1
22	<b>GX5077100</b>	<b>CAPSCRW,HX,3/8-16X1,18-8SS HX HD</b>	4

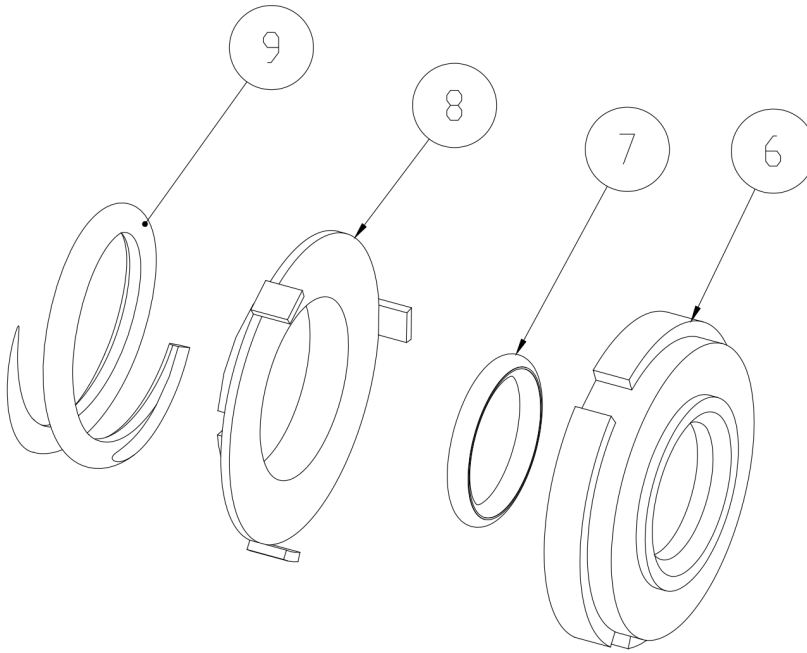


3	Casing Gasket
6	Seal Carbon
7	Seal O-Ring
12	Impeller Pin

**Seal Kit #1**

*Optional Items Shown in ITALICS*

Ref #	Component Item No.	Description	Qty Per
1	<b>KIT#1-C114-B</b>	<b>KIT,#1,SEAL,114,BUNA</b>	<b>1</b>
	<i>KIT#1-C114-E</i>	<i>KIT,#1,SEAL,114,EPDM C</i>	<i>1</i>
	<i>KIT#1-C114-S</i>	<i>KIT,#1,SEAL,114,SFY,VIT C</i>	<i>1</i>



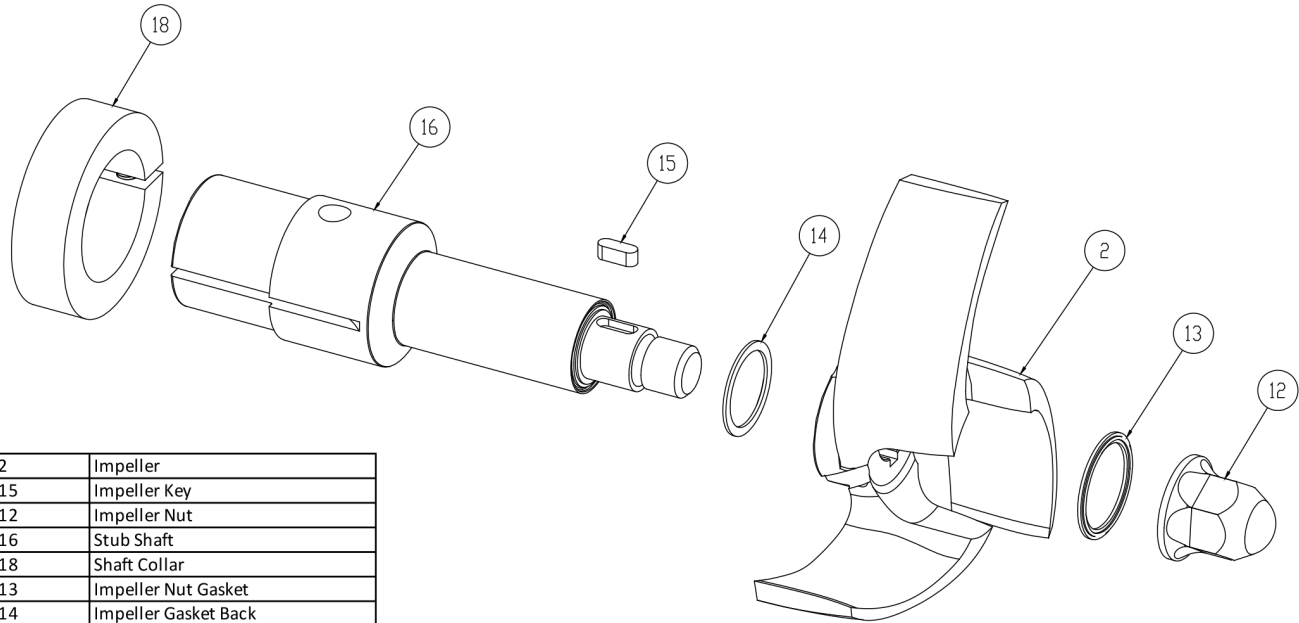
6	Seal Carbon
7	Seal O-Ring
8	Cup D Seal
9	Spring D Seal

**Seal Kit #3**

*Optional Items Shown in ITALICS*

Ref #	Component Item No.	Description	Qty Per
1	<b>KIT#3-C114-B</b>	<b>KIT,#3,114,SEAL,BUNA C</b>	<b>1</b>
	<i>KIT#3-C114-E</i>	<i>KIT,#3,SEAL,114,EPDM C</i>	<i>1</i>
	<i>KIT#3-C114-S</i>	<i>KIT,#3,SEAL,114,SFY,VIT C</i>	<i>1</i>



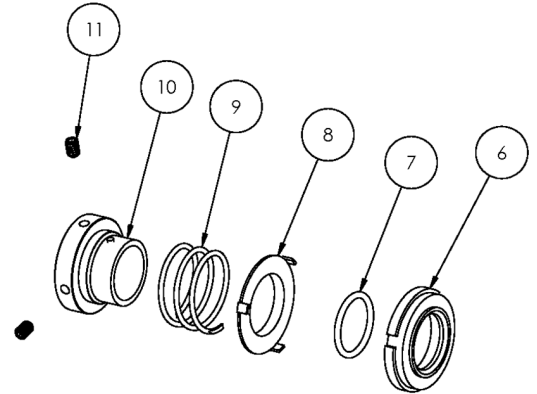
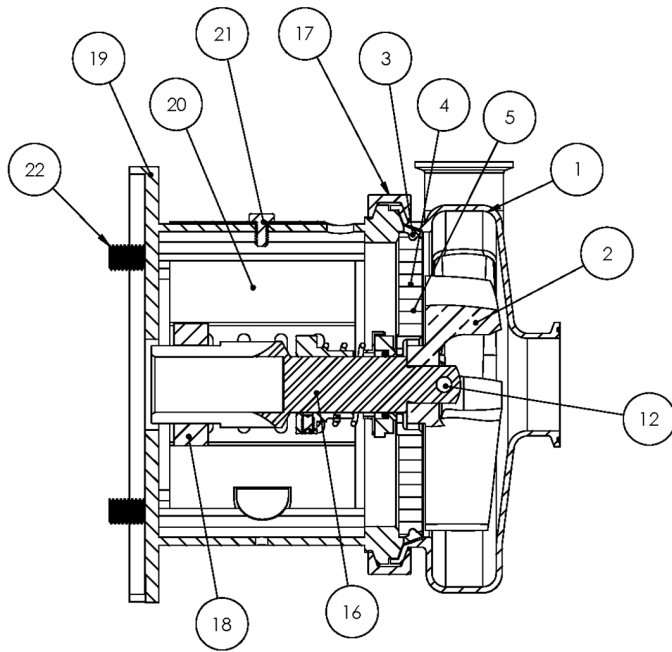


2	Impeller
15	Impeller Key
12	Impeller Nut
16	Stub Shaft
18	Shaft Collar
13	Impeller Nut Gasket
14	Impeller Gasket Back

**AC+ Conversion Kit**

*Optional Items Shown in ITALICS*

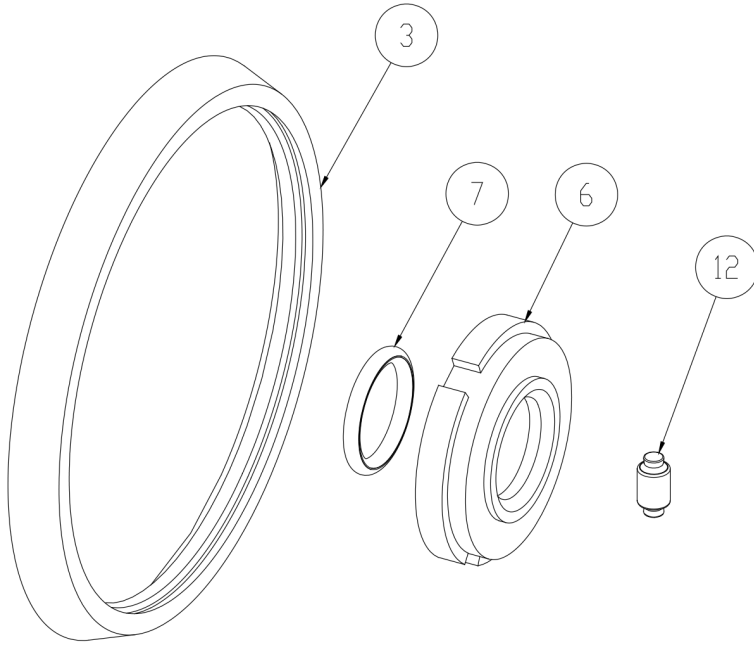
Ref #	Component Item No.	Description	Qty Per
1	<b>C+KIT-114/14</b>	<b>KIT,114,140TC,C+CONVERT,BUNA C</b>	<b>1</b>
	<i>C+KIT-114/14-E</i>	<i>KIT,114,140TC,C+CONVERT,EPDM C</i>	<i>1</i>
	<i>C+KIT-114/14-V</i>	<i>KIT,114,140TC,C+CONVRT,VIT C</i>	<i>1</i>



**Exploded View**

*Optional Items Shown in ITALICS*

Ref #	Component Item No.	Description	Qty Per
1	<b>S114M-01C-316L</b>	<b>CASING,1-1/2X1-1/2,TRI-CLMP C114/C+114</b>	1
	<i>S114T-01C</i>	<i>CASING,1-1/2X1-1/2,BVL SEAT C114/C+114</i>	1
	<i>S114MI-01C</i>	<i>CASING,1-1/2X1-1/2,GLASS BEAD C114/C+114</i>	1
	<i>S114S-01C</i>	<i>CASING,1-1/2X1-1/2,NPT C114/C+114</i>	1
	<i>S114F-01D</i>	<i>CASING,1-1/2X1-1/2,FLNGD C114/C+114</i>	1
2	<b>S114-02C-316L</b>	<b>IMPELLER,114/214 C UNIVERSAL</b>	1
3	<b>S114-90A-U</b>	<b>GASKET,114,CASING,BUNA C C+</b>	1
	<i>S114-90A-E</i>	<i>GASKET,114,CASING,EPDM C C+</i>	1
	<i>S114-90A-V</i>	<i>GASKET,114,CASING,VIT C C+</i>	1
4	<b>114D-11-316</b>	<b>BACKPLATE,D,114 C C+</b>	1
5	<b>216D-11-1-S</b>	<b>PIN,BACKPLT,114/216/328 C C+</b>	2
6	<b>114E-80-1A</b>	<b>SEAL,114/214,CARBON C C+</b>	1
7	<b>60C-3-34A-U</b>	<b>O-RING,114/214,SEAL,BUNA C C+</b>	1
	<i>60C-3-34A-E</i>	<i>O-RING,114,SEAL,EPDM C C+</i>	1
	<i>60C-3-34A-V</i>	<i>O-RING,114,SEAL,FDA/3-A,VIT C C+</i>	1
8	<b>114D-80-3P</b>	<b>CUP,D,114/214+114/214 C C+</b>	1
9	<b>114D-80-4</b>	<b>SPRING,D,114/214 C C+</b>	1
10	<b>SP114D-23P-316L</b>	<b>COLLAR,D,+114,DRIVE C+</b>	1
11	<b>SC1105A-SS</b>	<b>SCREW,SET,DRV COLLR,1/4-20X3/8 -SS</b>	2
12	<b>114D-24B-316L</b>	<b>RETAINER,IMPLR</b>	1
16	<b>C114E-14T-06</b>	<b>STUBSHAFT,140TC,UNIVRSL C114</b>	1
17	<b>S114-75AR-S</b>	<b>CLAMP,114,CASING C C+</b>	1
18	<b>SX18000014</b>	<b>COLLAR,180TC,SHAFT LC</b>	1
19	<b>114E-18T-71C-SS</b>	<b>ADAPTER,180TC FRAME,SS C114/C+114</b>	1
20	<b>C114-56T-131A-S</b>	<b>GUARD,SEAL,114/214,SS C C+ CB+ IC+ 056C</b>	1
21	<b>GX5079600</b>	<b>CAPSCRW,HX,1/4-20X1/2,18-8SS HX HD</b>	1
22	<b>SC1710H-SS</b>	<b>CAPSCRW,HX,1/2-13X1,18-8SS HX HD</b>	4

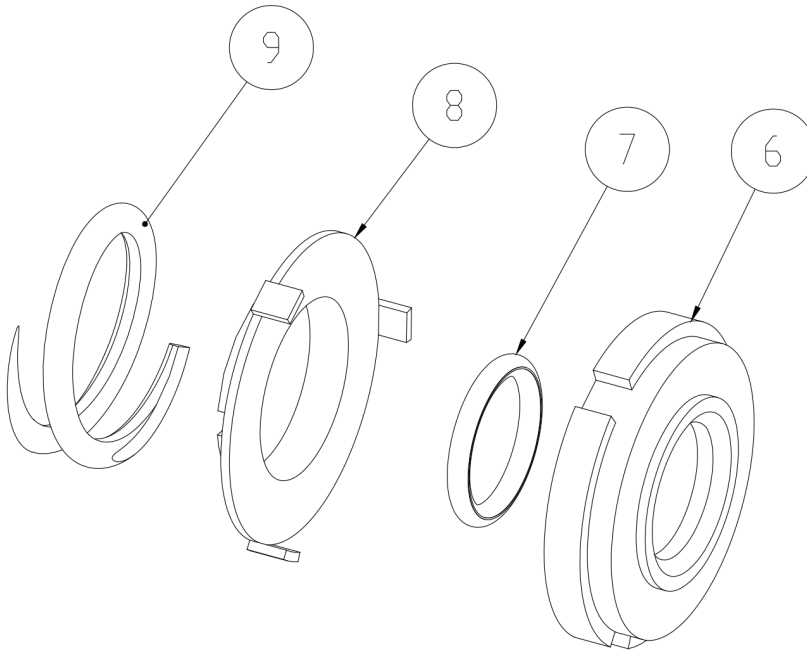


3	Casing Gasket
6	Seal Carbon
7	Seal O-Ring
12	Impeller Pin

**Seal Kit #1**

*Optional Items Shown in ITALICS*

Ref #	Component Item No.	Description	Qty Per
1	<b>KIT#1-C114-B</b>	<b>KIT,#1,SEAL,114,BUNA</b>	<b>1</b>
	<i>KIT#1-C114-E</i>	<i>KIT,#1,SEAL,114,EPDM C</i>	<i>1</i>
	<i>KIT#1-C114-S</i>	<i>KIT,#1,SEAL,114,SFY,VIT C</i>	<i>1</i>

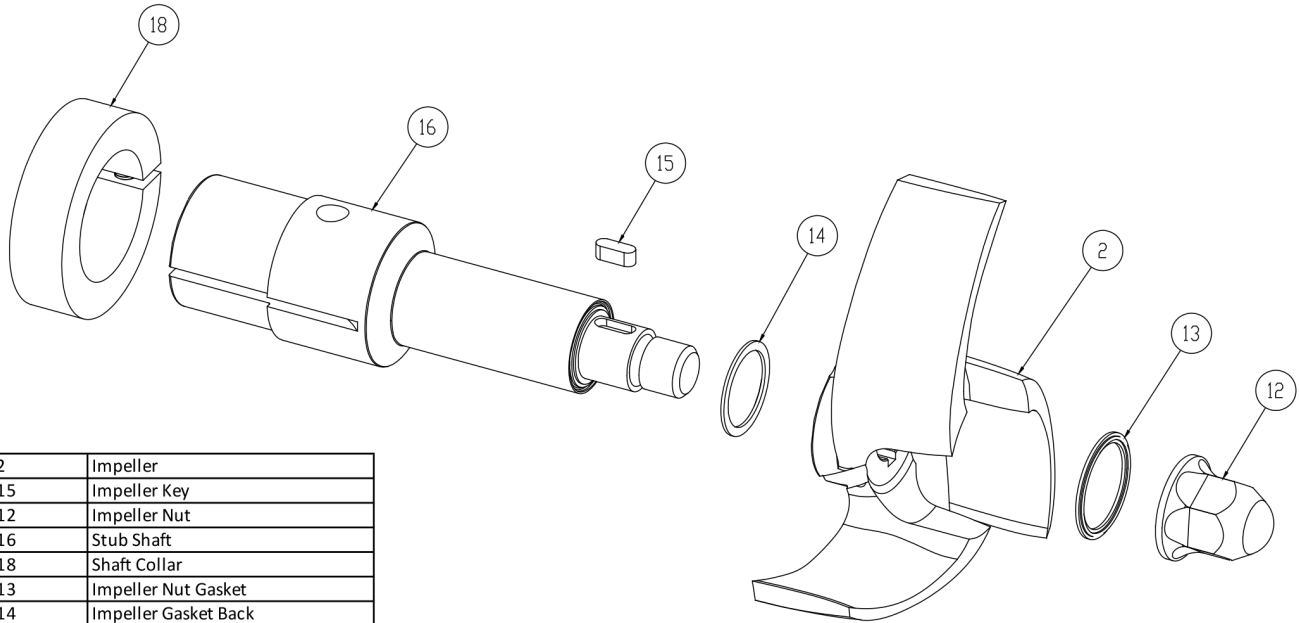


6	Seal Carbon
7	Seal O-Ring
8	Cup D Seal
9	Spring D Seal

**Seal Kit #3**

*Optional Items Shown in ITALICS*

Ref #	Component Item No.	Description	Qty Per
1	<b>KIT#3-C114-B</b>	<b>KIT,#3,114,SEAL,BUNA C</b>	<b>1</b>
	<i>KIT#3-C114-E</i>	<i>KIT,#3,SEAL,114,EPDM C</i>	<i>1</i>
	<i>KIT#3-C114-S</i>	<i>KIT,#3,SEAL,114,SFY,VIT C</i>	<i>1</i>

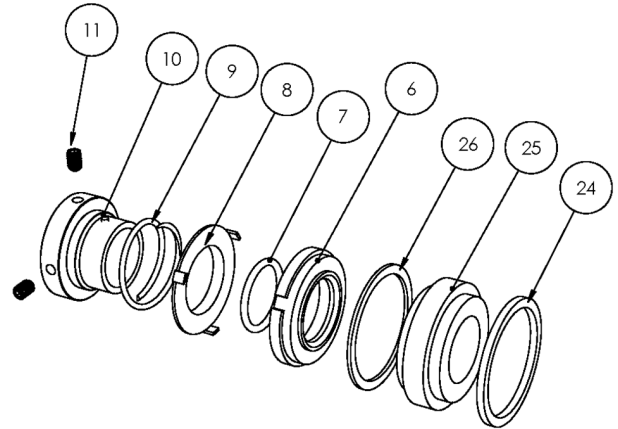
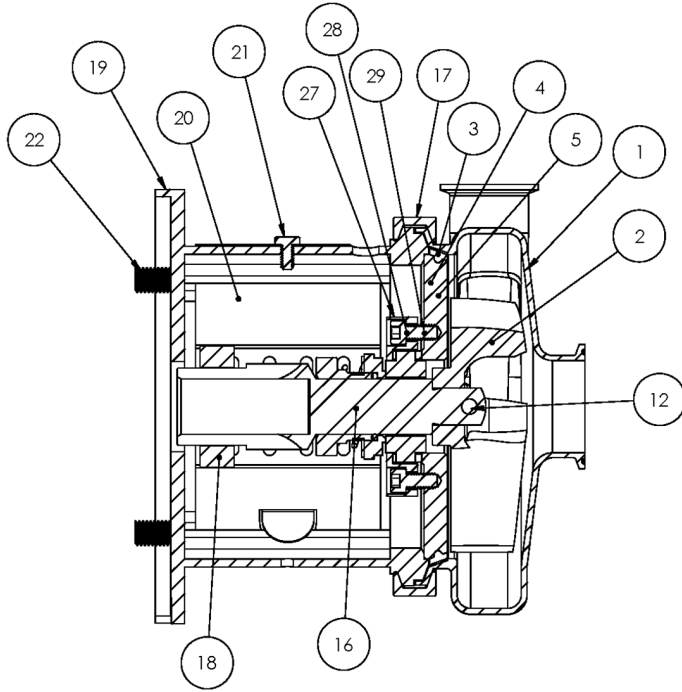


2	Impeller
15	Impeller Key
12	Impeller Nut
16	Stub Shaft
18	Shaft Collar
13	Impeller Nut Gasket
14	Impeller Gasket Back

**AC+ Conversion Kit**

*Optional Items Shown in ITALICS*

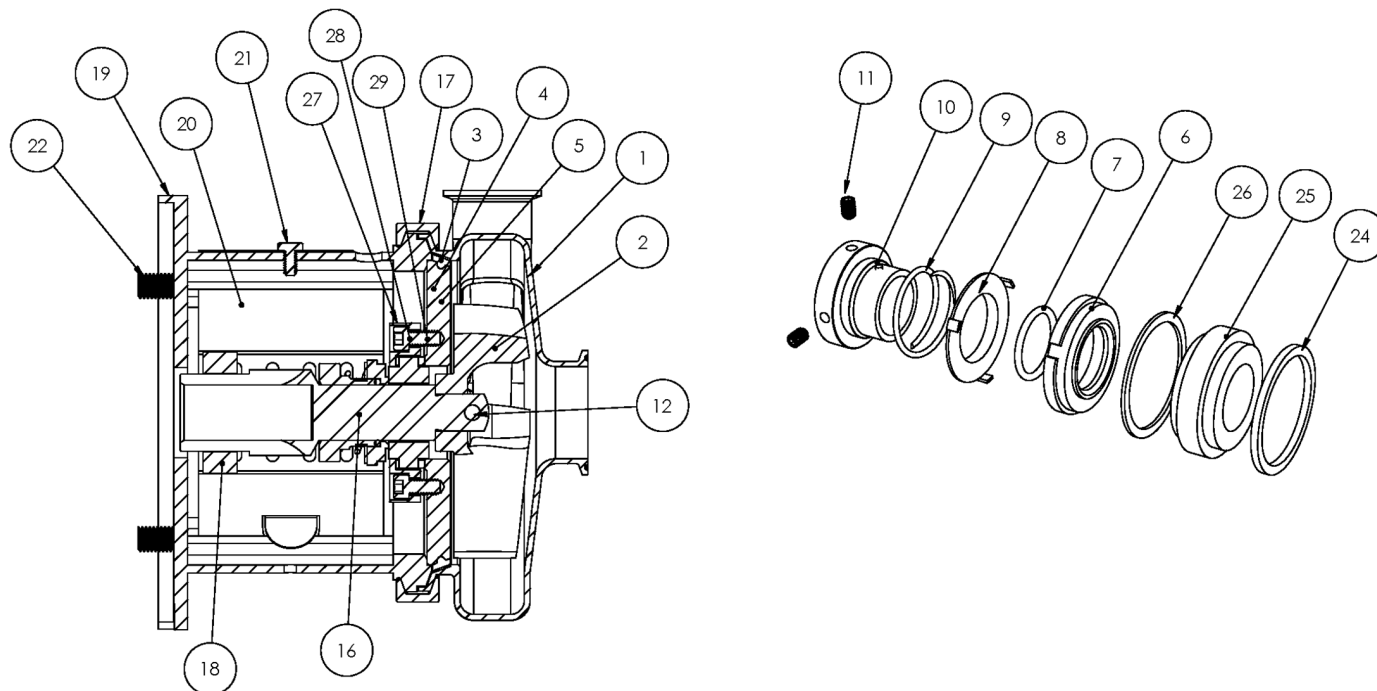
Ref #	Component Item No.	Description	Qty Per
1	<b>C+KIT-114/18</b>	<b>KIT,114,180TC,C+CONVRT,BUNA C</b>	<b>1</b>
	<i>C+KIT-114/18-E</i>	<i>KIT,114,180TC,C+CONVRT,EPDM C</i>	<i>1</i>
	<i>C+KIT-114/18-V</i>	<i>KIT,114,180TC,C+CONVRT,VIT C</i>	<i>1</i>



**Exploded View**

*Optional Items Shown in ITALICS*

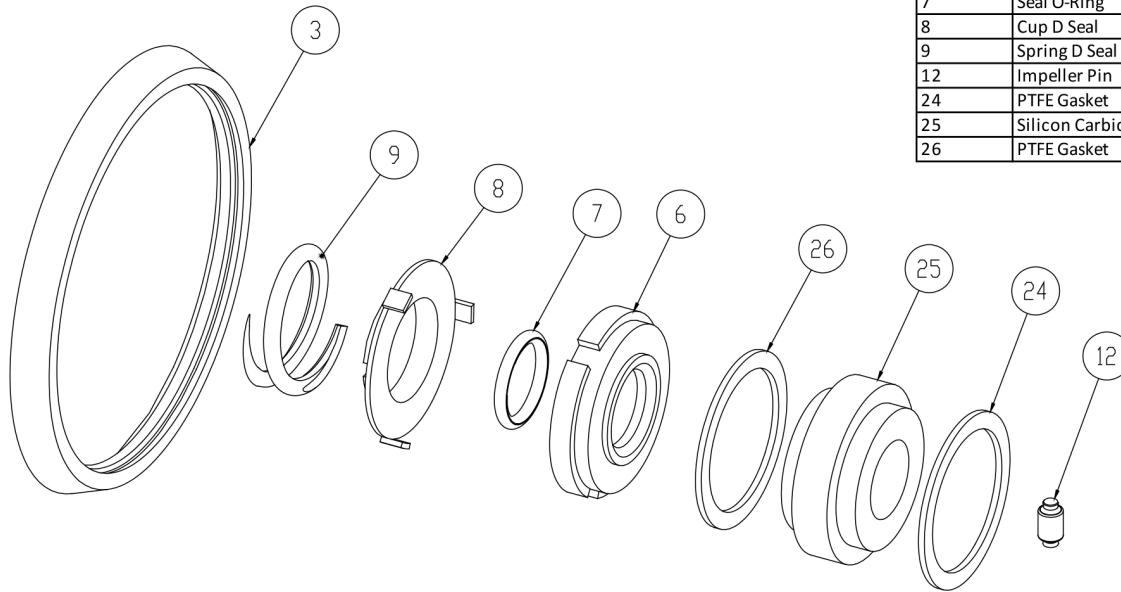
Ref #	Component Item No.	Description	Qty Per
1	<b>S114M-01C-316L</b>	<b>CASING,1-1/2X1-1/2,TRI-CLMP C114/C+114</b>	1
	<i>S114T-01C</i>	<i>CASING,1-1/2X1-1/2,BVL SEAT C114/C+114</i>	1
	<i>S114MI-01C</i>	<i>CASING,1-1/2X1-1/2,GLASS BEAD C114/C+114</i>	1
	<i>S114S-01C</i>	<i>CASING,1-1/2X1-1/2,NPT C114/C+114</i>	1
	<i>S114F-01D</i>	<i>CASING,1-1/2X1-1/2,FLNGD C114/C+114</i>	1
2	<b>S114-02C-316L</b>	<b>IMPELLER,114/214 C UNIVERSAL</b>	1
3	<b>S114-90A-U</b>	<b>GASKET,114,CASING,BUNA C C+</b>	1
	<i>S114-90A-E</i>	<i>GASKET,114,CASING,EPDM C C+</i>	1
	<i>S114-90A-V</i>	<i>GASKET,114,CASING,VIT C C+</i>	1
4	<b>SP114G-11-316L</b>	<b>BACKPLATE,DG,114 C C+</b>	1
5	<b>216D-11-1-S</b>	<b>PIN,BACKPLT,114/216/328 C C+</b>	2
6	<b>114E-80-1A</b>	<b>SEAL,114/214,CARBON C C+</b>	1
	<i>114E-80-1SC</i>	<i>SEAL,114,RTRY,SILC CARB C C+</i>	1
7	<b>60C-3-34A-U</b>	<b>O-RING,114/214,SEAL,BUNA C C+</b>	1
	<i>60C-3-34A-E</i>	<i>O-RING,114,SEAL,EPDM C C+</i>	1
	<i>60C-3-34A-V</i>	<i>O-RING,114,SEAL,FDA/3-A,VIT C C+</i>	1
8	<b>114D-80-3P</b>	<b>CUP,D,114/214/+114/214 C C+</b>	1
9	<b>114D-80-4</b>	<b>SPRING,D,114/214 C C+</b>	1
10	<b>SP114D-23P-316L</b>	<b>COLLAR,D,+114,DRIVE C+</b>	1
11	<b>SC1105A-SS</b>	<b>SCREW,SET,DRV COLLR,1/4-20X3/8 -SS</b>	2
12	<b>114D-24B-316L</b>	<b>RETAINER,IMPLR</b>	1
16	<b>C114E56T-06</b>	<b>STUBSHAFT,56C,UNIVRSL C114</b>	1
17	<b>S114-75AR-S</b>	<b>CLAMP,114,CASING C C+</b>	1
18	<b>SX18000013</b>	<b>COLLAR,56C/140TC,SHAFT L SEE ITEM NOTES</b>	1
19	<b>114E56T-71C-SS</b>	<b>ADAPTER,56C-140TC FRAME,SS C114/C+114</b>	1
20	<b>C114-56T-131A-S</b>	<b>GUARD,SEAL,114/214,SS C C+ CB+ IC+ 056C</b>	1
21	<b>GX5079600</b>	<b>CAPSCRW,HX,1/4-20X1/2,18-8SS HX HD</b>	1



**Exploded View**

*Optional Items Shown in ITALICS*

Ref #	Component Item No.	Description	Qty Per
22	GX5077100	CAPSCRW,HX,3/8-16X1,18-8SS HX HD	4
24	SP114G-80-12G	GASKET,114/214,DG,THN,PTFE C C+	1
25	SP114G-80-11-SC	SEAT,114/214,DG,SEAL,SILC CARB C C+	1
	<i>SP114G-80-11TC</i>	<i>SEAT,114,DG,SEAL,TUNG CARB C C+</i>	1
	<i>SP114G-80-11CER</i>	<i>SEAT,114,DG,SEAL,CERAMIC C C+</i>	1
26	SP114G-80-12G	GASKET,114/214,DG,THN,PTFE C C+	1
27	SP114G-17-316L	RING,114,GLAND,DG C C+	1
28	SC1110H-SS	CAPSCRW,BH,1/4-20X1,18-8SS BUTTON HD	4
29	LWA-1100-SS	WASHER,LOCK,1/4,18-8SS	4



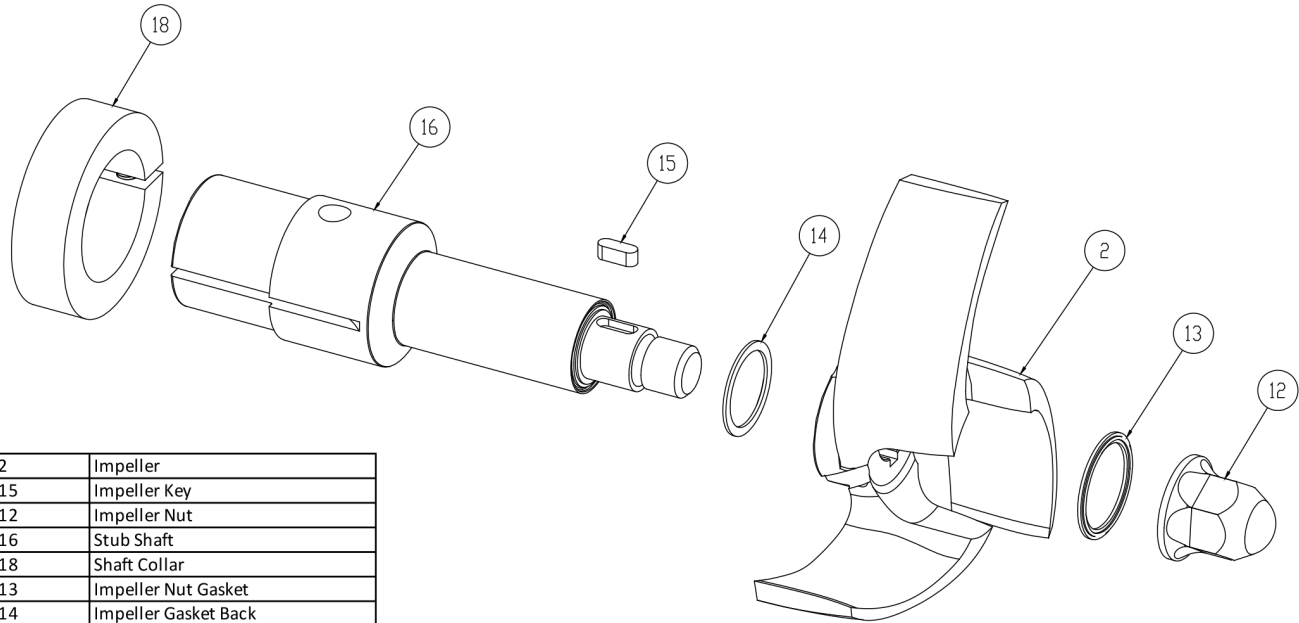
3	Casing Gasket
6	Seal Carbon
7	Seal O-Ring
8	Cup D Seal
9	Spring D Seal
12	Impeller Pin
24	PTFE Gasket
25	Silicon Carbide Seat
26	PTFE Gasket

**Seal Kit DG**

*Optional Items Shown in ITALICS*

Ref #	Component Item No.	Description	Qty Per
1	<b>KITDG-C114-B</b>	<b>KIT,114,DG,SEAL,BUNA C</b>	<b>1</b>
	<i>KITDG-C114-E</i>	<i>KIT,114,DG SEAL,EPDM C</i>	<i>1</i>
	<i>KITDG-C114-S</i>	<i>KIT,114,DG,SEAL,VIT C</i>	<i>1</i>



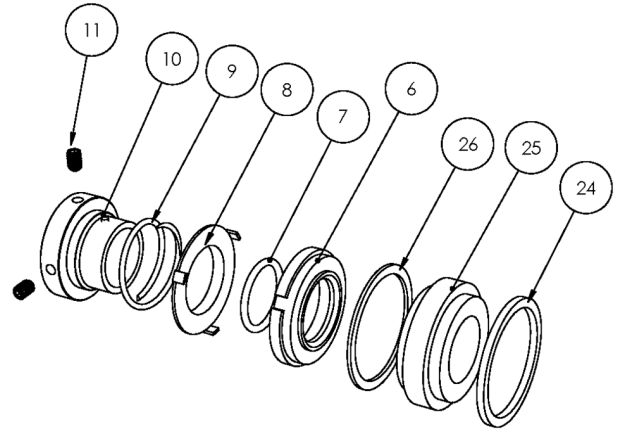
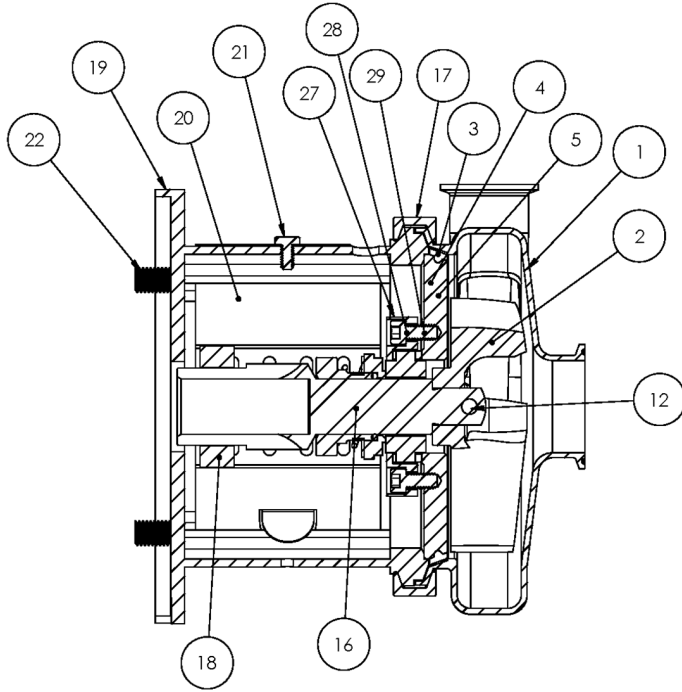


2	Impeller
15	Impeller Key
12	Impeller Nut
16	Stub Shaft
18	Shaft Collar
13	Impeller Nut Gasket
14	Impeller Gasket Back

**AC+ Conversion Kit**

*Optional Items Shown in ITALICS*

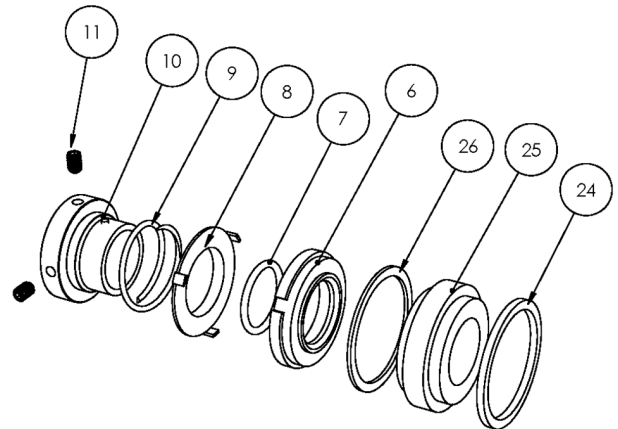
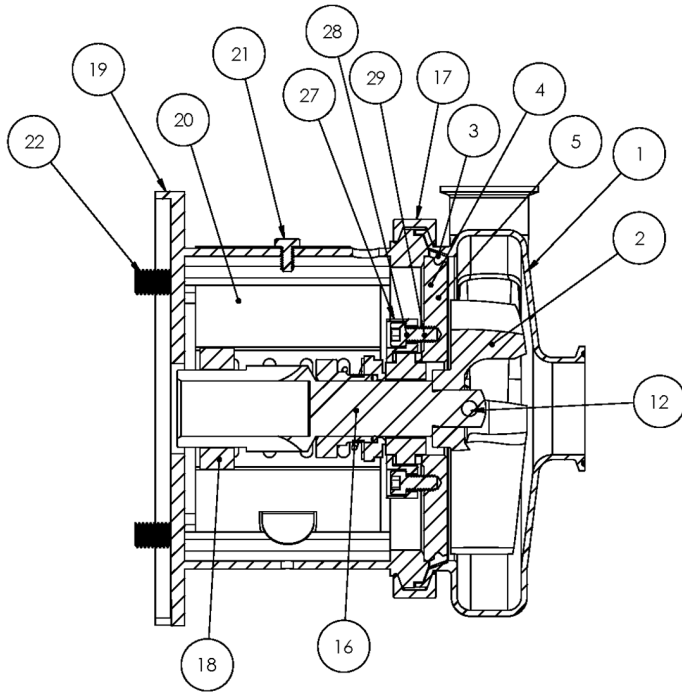
Ref #	Component Item No.	Description	Qty Per
1	<b>C+KIT-114/56</b>	<b>KIT,114,56TC,C+CONVRT,BUNA C</b>	<b>1</b>
	<i>C+KIT-114/56-E</i>	<i>KIT,114,56TC,C+CONVRT,EPDM C</i>	<i>1</i>
	<i>C+KIT-114/56-V</i>	<i>KIT,114,56TC,C+CONVRT,VIT C</i>	<i>1</i>



**Exploded View**

*Optional Items Shown in ITALICS*

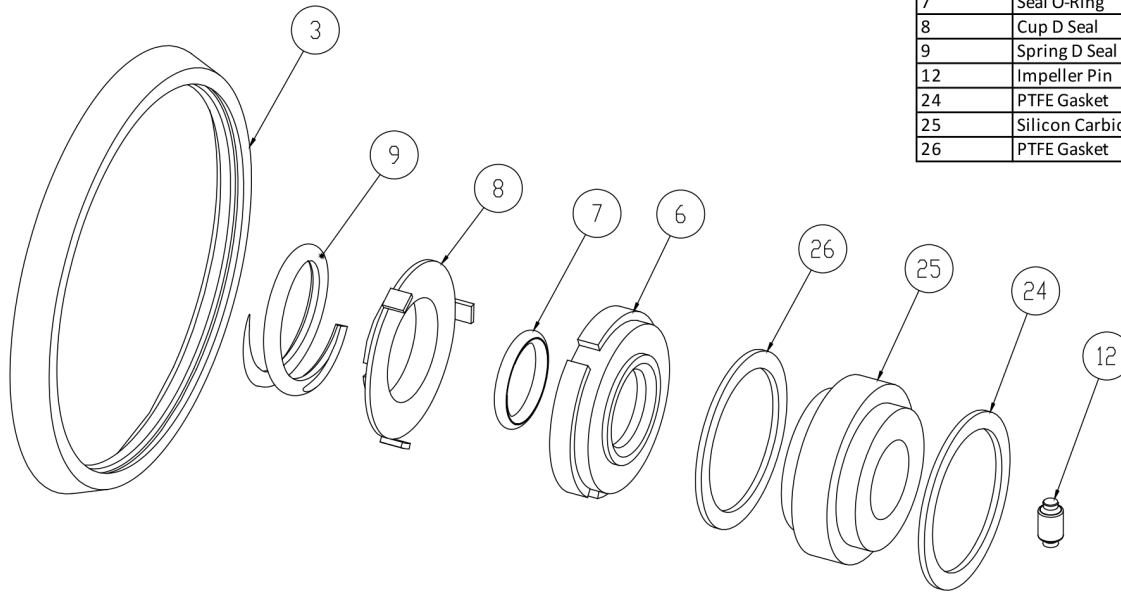
Ref #	Component Item No.	Description	Qty Per
1	<b>S114M-01C-316L</b>	<b>CASING,1-1/2X1-1/2,TRI-CLMP C114/C+114</b>	1
	<i>S114T-01C</i>	<i>CASING,1-1/2X1-1/2,BVL SEAT C114/C+114</i>	1
	<i>S114MI-01C</i>	<i>CASING,1-1/2X1-1/2,GLASS BEAD C114/C+114</i>	1
	<i>S114S-01C</i>	<i>CASING,1-1/2X1-1/2,NPT C114/C+114</i>	1
	<i>S114F-01D</i>	<i>CASING,1-1/2X1-1/2,FLNGD C114/C+114</i>	1
2	<b>S114-02C-316L</b>	<b>IMPELLER,114/214 C UNIVERSAL</b>	1
3	<b>S114-90A-U</b>	<b>GASKET,114,CASING,BUNA C C+</b>	1
	<i>S114-90A-E</i>	<i>GASKET,114,CASING,EPDM C C+</i>	1
	<i>S114-90A-V</i>	<i>GASKET,114,CASING,VIT C C+</i>	1
4	<b>SP114G-11-316L</b>	<b>BACKPLATE,DG,114 C C+</b>	1
5	<b>216D-11-1-S</b>	<b>PIN,BACKPLT,114/216/328 C C+</b>	2
6	<b>114E-80-1A</b>	<b>SEAL,114/214,CARBON C C+</b>	1
	<i>114E-80-1SC</i>	<i>SEAL,114,RTRY,SILC CARB C C+</i>	1
7	<b>60C-3-34A-U</b>	<b>O-RING,114/214,SEAL,BUNA C C+</b>	1
	<i>60C-3-34A-E</i>	<i>O-RING,114,SEAL,EPDM C C+</i>	1
	<i>60C-3-34A-V</i>	<i>O-RING,114,SEAL,FDA/3-A,VIT C C+</i>	1
8	<b>114D-80-3P</b>	<b>CUP,D,114/214/+114/214 C C+</b>	1
9	<b>114D-80-4</b>	<b>SPRING,D,114/214 C C+</b>	1
10	<b>SP114D-23P-316L</b>	<b>COLLAR,D,+114,DRIVE C+</b>	1
11	<b>SC1105A-SS</b>	<b>SCREW,SET,DRV COLLR,1/4-20X3/8 -SS</b>	2
12	<b>114D-24B-316L</b>	<b>RETAINER,IMPLR</b>	1
16	<b>C114E-14T-06</b>	<b>STUBSHAFT,140TC,UNIVRSL C114</b>	1
17	<b>S114-75AR-S</b>	<b>CLAMP,114,CASING C C+</b>	1
18	<b>SX18000013</b>	<b>COLLAR,56C/140TC,SHAFT L SEE ITEM NOTES</b>	1
19	<b>114E56T-71C-SS</b>	<b>ADAPTER,56C-140TC FRAME,SS C114/C+114</b>	1
20	<b>C114-56T-131A-S</b>	<b>GUARD,SEAL,114/214,SS C C+ CB+ IC+ 056C</b>	1
21	<b>GX5079600</b>	<b>CAPSCRW,HX,1/4-20X1/2,18-8SS HX HD</b>	1



**Exploded View**

*Optional Items Shown in ITALICS*

Ref #	Component Item No.	Description	Qty Per
22	GX5077100	CAPSCRW,HX,3/8-16X1,18-8SS HX HD	4
24	SP114G-80-12G	GASKET,114/214,DG,THN,PTFE C C+	1
25	SP114G-80-11-SC	SEAT,114/214,DG,SEAL,SILC CARB C C+	1
	<i>SP114G-80-11TC</i>	<i>SEAT,114,DG,SEAL,TUNG CARB C C+</i>	1
	<i>SP114G-80-11CER</i>	<i>SEAT,114,DG,SEAL,CERAMIC C C+</i>	1
26	SP114G-80-12G	GASKET,114/214,DG,THN,PTFE C C+	1
27	SP114G-17-316L	RING,114,GLAND,DG C C+	1
28	SC1110H-SS	CAPSCRW,BH,1/4-20X1,18-8SS BUTTON HD	4
29	LWA-1100-SS	WASHER,LOCK,1/4,18-8SS	4

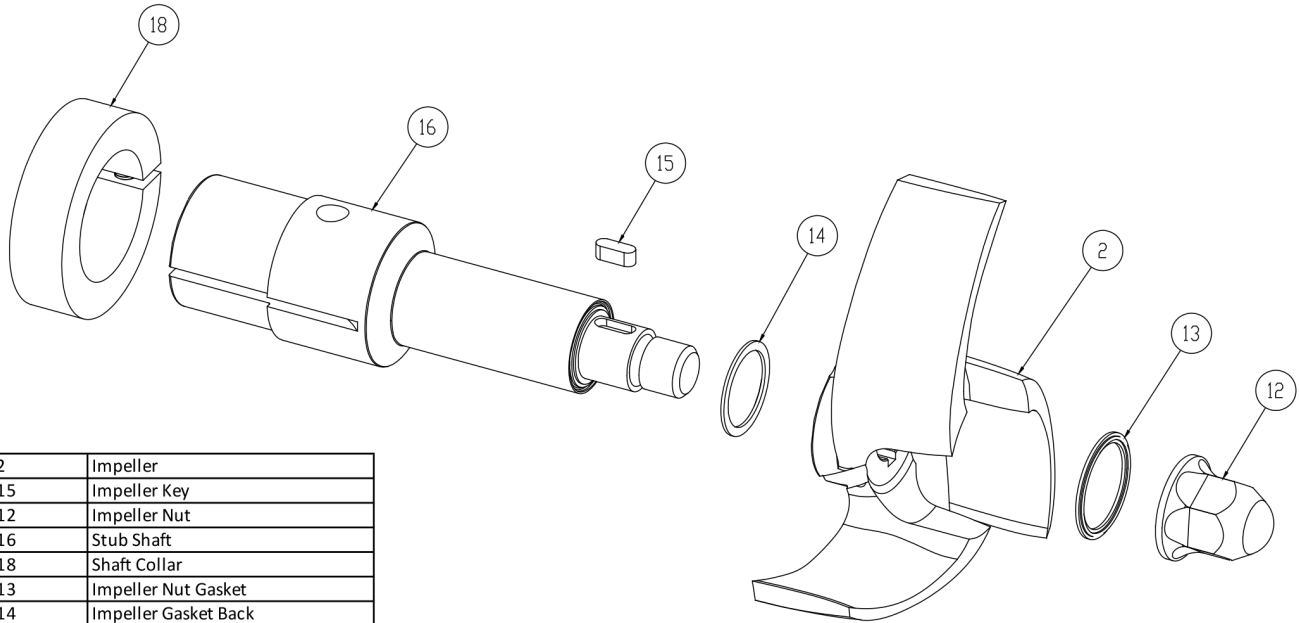


3	Casing Gasket
6	Seal Carbon
7	Seal O-Ring
8	Cup D Seal
9	Spring D Seal
12	Impeller Pin
24	PTFE Gasket
25	Silicon Carbide Seat
26	PTFE Gasket

**Seal Kit DG**

*Optional Items Shown in ITALICS*

Ref #	Component Item No.	Description	Qty Per
1	<b>KITDG-C114-B</b>	<b>KIT,114,DG,SEAL,BUNA C</b>	<b>1</b>
	<i>KITDG-C114-E</i>	<i>KIT,114,DG SEAL,EPDM C</i>	<i>1</i>
	<i>KITDG-C114-S</i>	<i>KIT,114,DG,SEAL,VIT C</i>	<i>1</i>

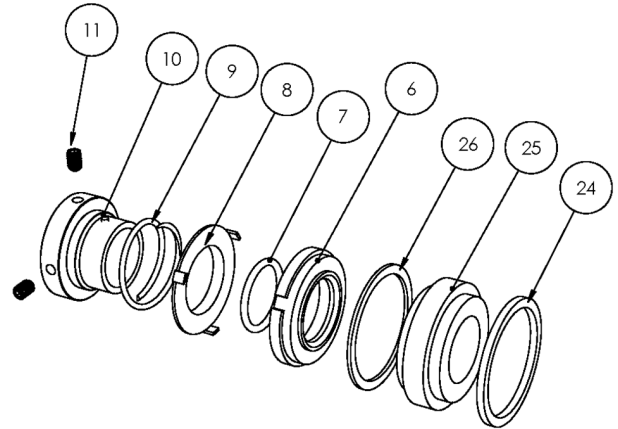
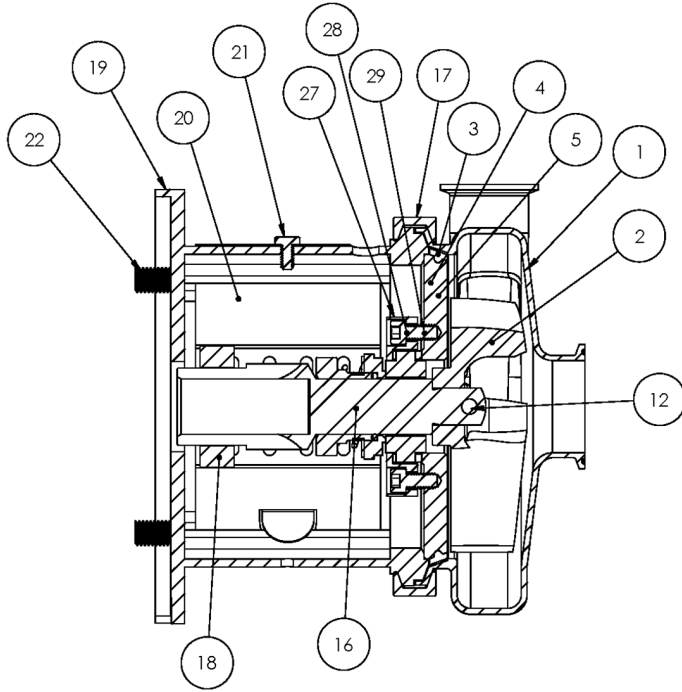


2	Impeller
15	Impeller Key
12	Impeller Nut
16	Stub Shaft
18	Shaft Collar
13	Impeller Nut Gasket
14	Impeller Gasket Back

**AC+ Conversion Kit**

*Optional Items Shown in ITALICS*

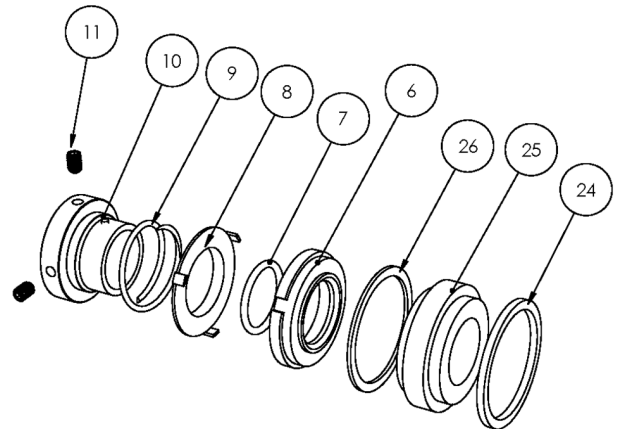
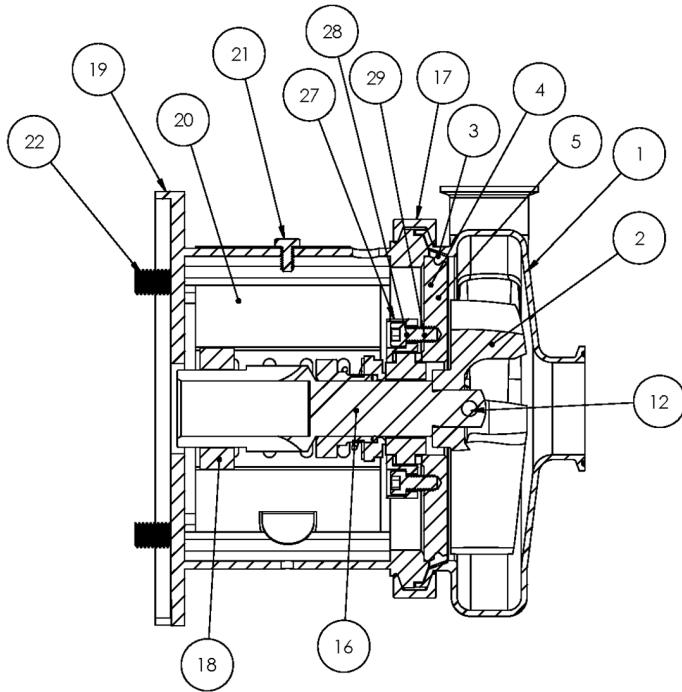
Ref #	Component Item No.	Description	Qty Per
1	<b>C+KIT-114/14</b>	<b>KIT,114,140TC,C+CONVERT,BUNA C</b>	<b>1</b>
	<i>C+KIT-114/14-E</i>	<i>KIT,114,140TC,C+CONVERT,EPDM C</i>	<i>1</i>
	<i>C+KIT-114/14-V</i>	<i>KIT,114,140TC,C+CONVRT,VIT C</i>	<i>1</i>



**Exploded View**

*Optional Items Shown in ITALICS*

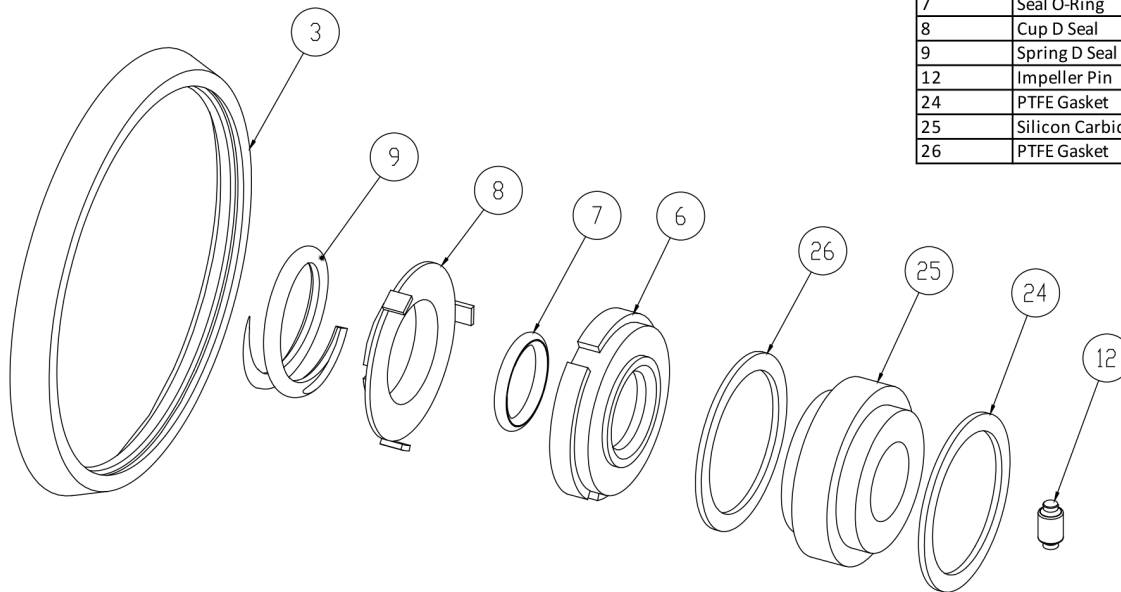
Ref #	Component Item No.	Description	Qty Per
1	<b>S114M-01C-316L</b>	<b>CASING,1-1/2X1-1/2,TRI-CLMP C114/C+114</b>	1
	<i>S114T-01C</i>	<i>CASING,1-1/2X1-1/2,BVL SEAT C114/C+114</i>	1
	<i>S114MI-01C</i>	<i>CASING,1-1/2X1-1/2,GLASS BEAD C114/C+114</i>	1
	<i>S114S-01C</i>	<i>CASING,1-1/2X1-1/2,NPT C114/C+114</i>	1
	<i>S114F-01D</i>	<i>CASING,1-1/2X1-1/2,FLNGD C114/C+114</i>	1
2	<b>S114-02C-316L</b>	<b>IMPELLER,114/214 C UNIVERSAL</b>	1
3	<b>S114-90A-U</b>	<b>GASKET,114,CASING,BUNA C C+</b>	1
	<i>S114-90A-E</i>	<i>GASKET,114,CASING,EPDM C C+</i>	1
	<i>S114-90A-V</i>	<i>GASKET,114,CASING,VIT C C+</i>	1
4	<b>SP114G-11-316L</b>	<b>BACKPLATE,DG,114 C C+</b>	1
5	<b>216D-11-1-S</b>	<b>PIN,BACKPLT,114/216/328 C C+</b>	2
6	<b>114E-80-1A</b>	<b>SEAL,114/214,CARBON C C+</b>	1
	<i>114E-80-1SC</i>	<i>SEAL,114,RTRY,SILC CARB C C+</i>	1
7	<b>60C-3-34A-U</b>	<b>O-RING,114/214,SEAL,BUNA C C+</b>	1
	<i>60C-3-34A-E</i>	<i>O-RING,114,SEAL,EPDM C C+</i>	1
	<i>60C-3-34A-V</i>	<i>O-RING,114,SEAL,FDA/3-A,VIT C C+</i>	1
8	<b>114D-80-3P</b>	<b>CUP,D,114/214/+114/214 C C+</b>	1
9	<b>114D-80-4</b>	<b>SPRING,D,114/214 C C+</b>	1
10	<b>SP114D-23P-316L</b>	<b>COLLAR,D,+114,DRIVE C+</b>	1
11	<b>SC1105A-SS</b>	<b>SCREW,SET,DRV COLLR,1/4-20X3/8 -SS</b>	2
12	<b>114D-24B-316L</b>	<b>RETAINER,IMPLR</b>	1
16	<b>C114E-14T-06</b>	<b>STUBSHAFT,140TC,UNIVRSL C114</b>	1
17	<b>S114-75AR-S</b>	<b>CLAMP,114,CASING C C+</b>	1
18	<b>SX18000014</b>	<b>COLLAR,180TC,SHAFT LC</b>	1
19	<b>114E-18T-71C-SS</b>	<b>ADAPTER,180TC FRAME,SS C114/C+114</b>	1
20	<b>C114-56T-131A-S</b>	<b>GUARD,SEAL,114/214,SS C C+ CB+ IC+ 056C</b>	1
21	<b>GX5079600</b>	<b>CAPSCRW,HX,1/4-20X1/2,18-8SS HX HD</b>	1



**Exploded View**

*Optional Items Shown in ITALICS*

Ref #	Component Item No.	Description	Qty Per
22	SC1710H-SS	CAPSCRW,HX,1/2-13X1,18-8SS HX HD	4
24	SP114G-80-12G	GASKET,114/214,DG,THN,PTFE C C+	1
25	SP114G-80-11-SC	SEAT,114/214,DG,SEAL,SILC CARB C C+	1
	<i>SP114G-80-11TC</i>	<i>SEAT,114,DG,SEAL,TUNG CARB C C+</i>	1
	<i>SP114G-80-11CER</i>	<i>SEAT,114,DG,SEAL,CERAMIC C C+</i>	1
26	SP114G-80-12G	GASKET,114/214,DG,THN,PTFE C C+	1
27	SP114G-17-316L	RING,114,GLAND,DG C C+	1
28	SC1110H-SS	CAPSCRW,BH,1/4-20X1,18-8SS BUTTON HD	4
29	LWA-1100-SS	WASHER,LOCK,1/4,18-8SS	4



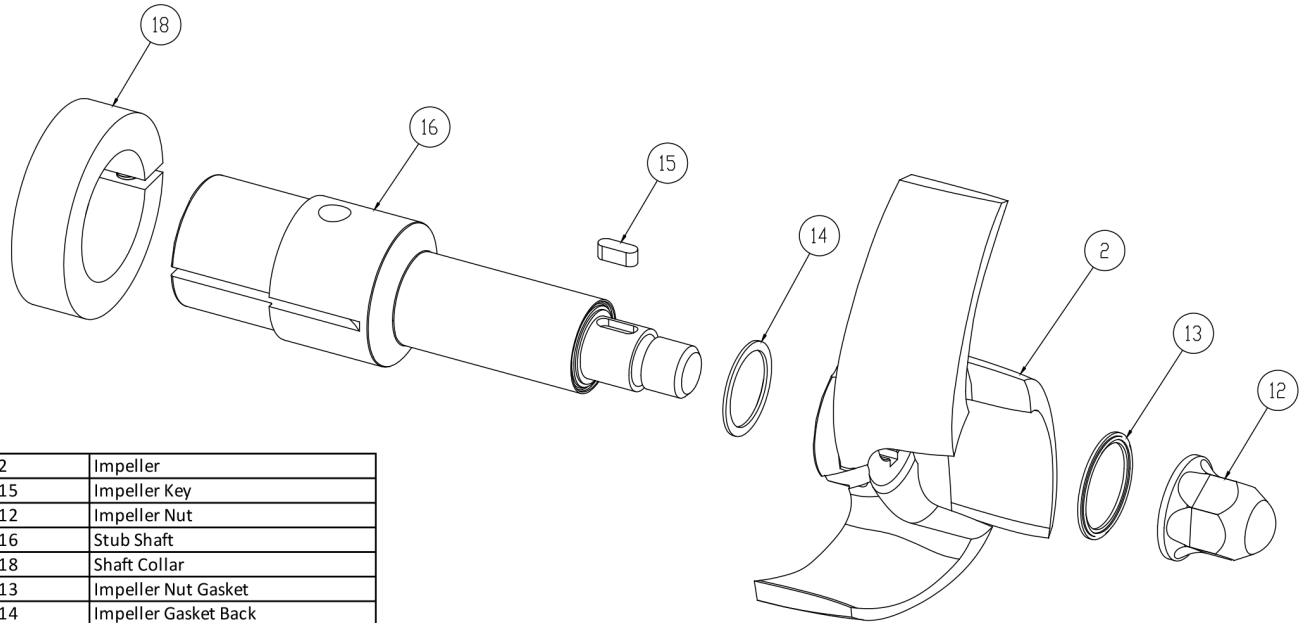
3	Casing Gasket
6	Seal Carbon
7	Seal O-Ring
8	Cup D Seal
9	Spring D Seal
12	Impeller Pin
24	PTFE Gasket
25	Silicon Carbide Seat
26	PTFE Gasket

**Seal Kit DG**

*Optional Items Shown in ITALICS*

Ref #	Component Item No.	Description	Qty Per
1	<b>KITDG-C114-B</b>	<b>KIT,114,DG,SEAL,BUNA C</b>	<b>1</b>
	<i>KITDG-C114-E</i>	<i>KIT,114,DG SEAL,EPDM C</i>	<i>1</i>
	<i>KITDG-C114-S</i>	<i>KIT,114,DG,SEAL,VIT C</i>	<i>1</i>



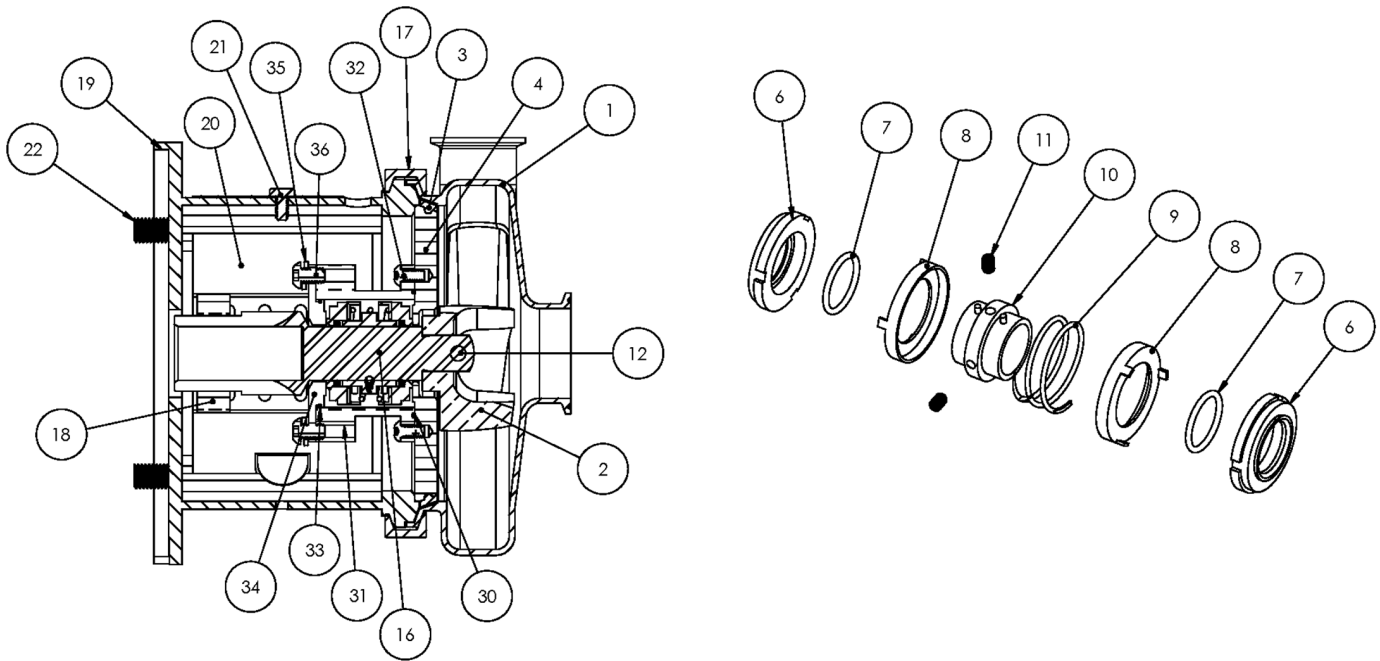


2	Impeller
15	Impeller Key
12	Impeller Nut
16	Stub Shaft
18	Shaft Collar
13	Impeller Nut Gasket
14	Impeller Gasket Back

**AC+ Conversion Kit**

*Optional Items Shown in ITALICS*

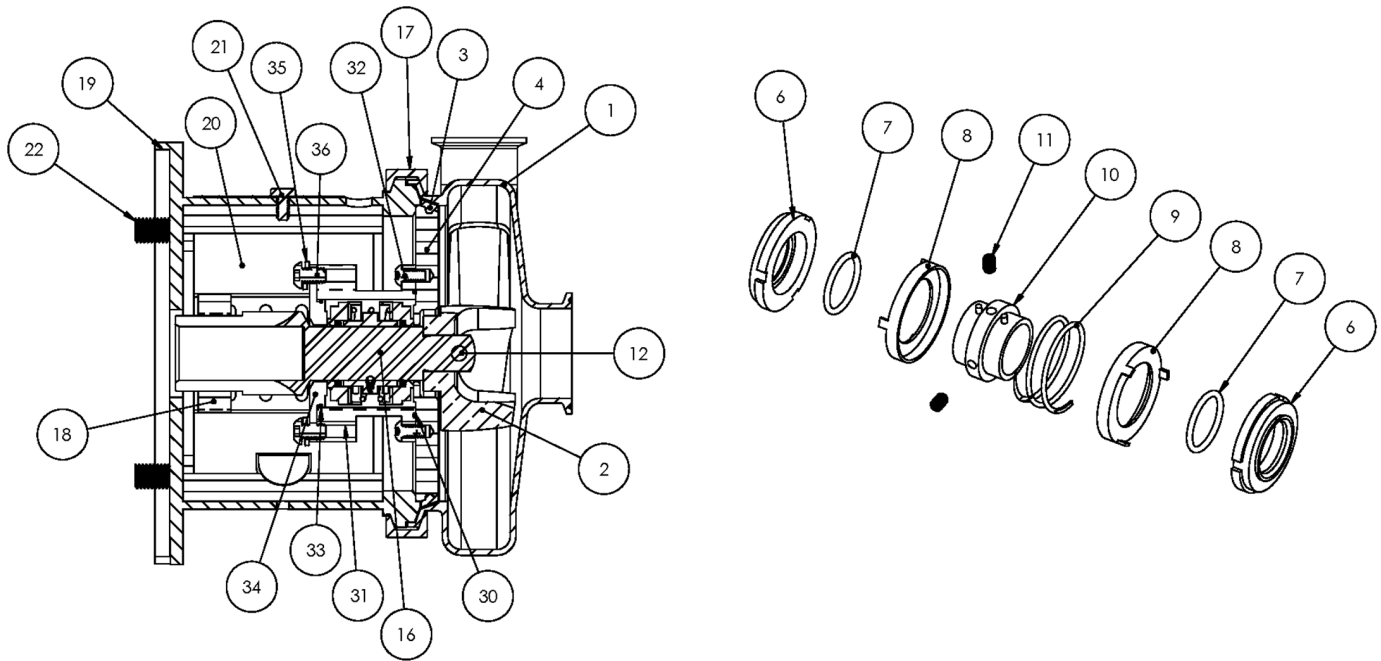
Ref #	Component Item No.	Description	Qty Per
1	<b>C+KIT-114/18</b>	<b>KIT,114,180TC,C+CONVRT,BUNA C</b>	<b>1</b>
	<i>C+KIT-114/18-E</i>	<i>KIT,114,180TC,C+CONVRT,EPDM C</i>	<i>1</i>
	<i>C+KIT-114/18-V</i>	<i>KIT,114,180TC,C+CONVRT,VIT C</i>	<i>1</i>



**Exploded View**

*Optional Items Shown in ITALICS*

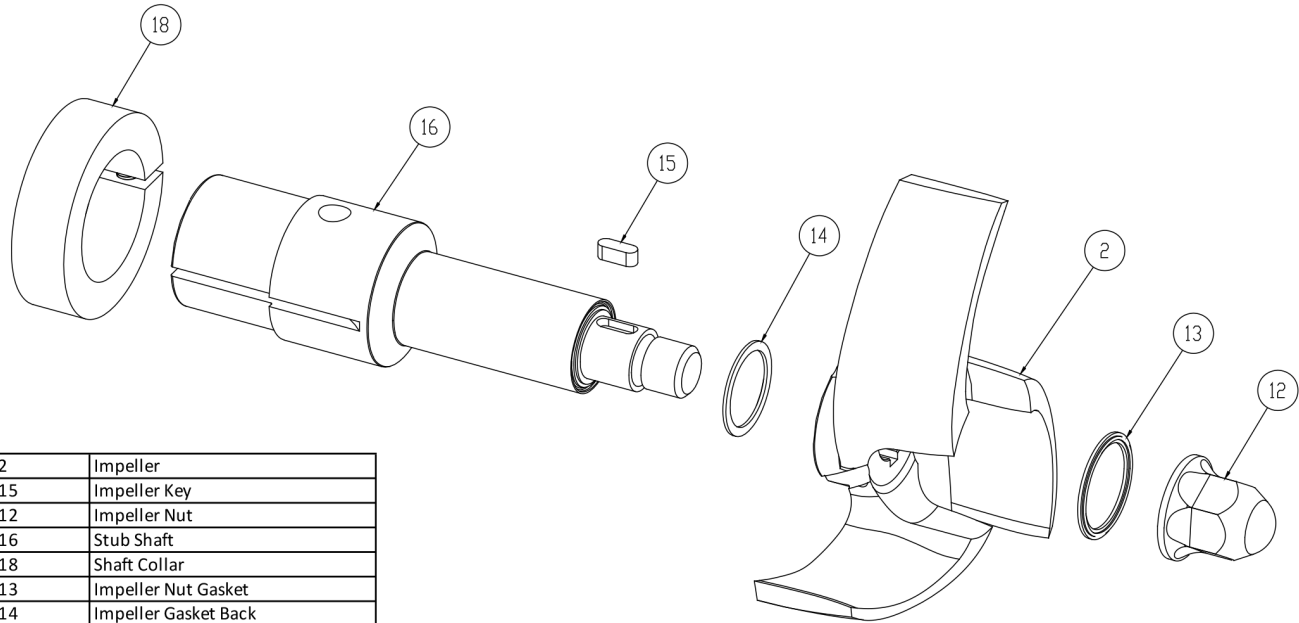
Ref #	Component Item No.	Description	Qty Per
1	<b>S114M-01C-316L</b>	<b>CASING,1-1/2X1-1/2,TRI-CLMP C114/C+114</b>	1
	<i>S114T-01C</i>	<i>CASING,1-1/2X1-1/2,BVL SEAT C114/C+114</i>	1
	<i>S114MI-01C</i>	<i>CASING,1-1/2X1-1/2,GLASS BEAD C114/C+114</i>	1
	<i>S114S-01C</i>	<i>CASING,1-1/2X1-1/2,NPT C114/C+114</i>	1
	<i>S114F-01D</i>	<i>CASING,1-1/2X1-1/2,FLNGD C114/C+114</i>	1
2	<b>S114-02C-316L</b>	<b>IMPELLER,114/214 C UNIVERSAL</b>	1
3	<b>S114-90A-U</b>	<b>GASKET,114,CASING,BUNA C C+</b>	1
	<i>S114-90A-E</i>	<i>GASKET,114,CASING,EPDM C C+</i>	1
	<i>S114-90A-V</i>	<i>GASKET,114,CASING,VIT C C+</i>	1
4	<b>114E-11B-316</b>	<b>BACKPLATE,E,114 C C+</b>	1
6	<b>114E-80-1A</b>	<b>SEAL,114/214,CARBON C C+</b>	2
7	<b>60C-3-34A-U</b>	<b>O-RING,114/214,SEAL,BUNA C C+</b>	2
	<i>60C-3-34A-E</i>	<i>O-RING,114,SEAL,EPDM C C+</i>	2
	<i>60C-3-34A-V</i>	<i>O-RING,114,SEAL,FDA/3-A,VIT C C+</i>	2
8	<b>114E-80-3P</b>	<b>CUP,E,114/214,+114/214 C C+</b>	2
9	<b>114E-80-4A</b>	<b>SPRING,E,114/214 C C+</b>	1
10	<b>114E-23-316L</b>	<b>COLLAR,E,114/+114,DRIVE C C+</b>	1
11	<b>SC1103A-SS</b>	<b>SCREW,SET,1/4-20X1/4 E BALANCED</b>	2
12	<b>114D-24B-316L</b>	<b>RETAINER,IMPLR</b>	1
16	<b>C114E56T-06</b>	<b>STUBSHAFT,56C,UNIVRSL C114</b>	1
17	<b>S114-75AR-S</b>	<b>CLAMP,114,CASING C C+</b>	1
18	<b>SX18000013</b>	<b>COLLAR,56C/140TC,SHAFT L SEE ITEM NOTES</b>	1
19	<b>114E56T-71C-SS</b>	<b>ADAPTER,56C-140TC FRAME,SS C114/C+114</b>	1
20	<b>C114-56T-131A-S</b>	<b>GUARD,SEAL,114/214,SS C C+ CB+ IC+ 056C</b>	1
21	<b>GX5079600</b>	<b>CAPSCRW,HX,1/4-20X1/2,18-8SS HX HD</b>	1
22	<b>GX5077100</b>	<b>CAPSCRW,HX,3/8-16X1,18-8SS HX HD</b>	4
30	<b>17-106-U</b>	<b>O-RING,114/214/+2116,BUNA C C+</b>	1



**Exploded View**

*Optional Items Shown in ITALICS*

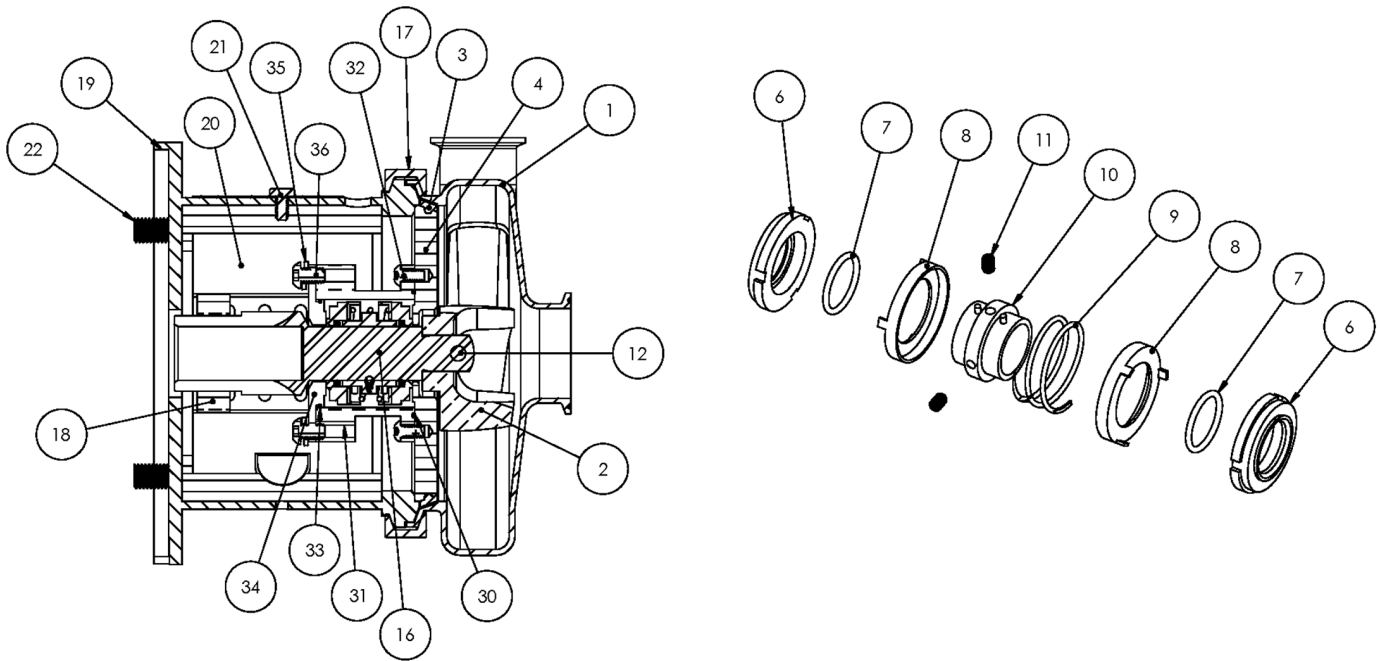
Ref #	Component Item No.	Description	Qty Per
30	17-106-E	O-RING, 114/214/+2116, EPDM C C+	1
	17-106-V	O-RING, 114/214/+2116, VITON C C+	1
31	114E-83B-316	STUFFING BOX, E, 114 C C+	1
32	SC904E-SS	CAPSCRW, SH, 10-24X1/2, 18-8SS SCKT HD	4
33	17-275-U	O-RING, 216, FOLLOWER, BUNA C C+	1
	17-275-E	O-RING, 216, FOLLOWER, EPDM C	1
	17-275-V	O-RING, 216, FOLLOWER, VIT C	1
34	114E-17-316	FOLLOWER, E, 114/+114 C C+	1
35	LWA-1100-SS	WASHER, LOCK, 1/4, 18-8SS	4
36	SC1106E-SS	CAPSCRW, BH, 1/4-20X1/2, 18-8SS BUTTON HD	4



**AC+ Conversion Kit**

*Optional Items Shown in ITALICS*

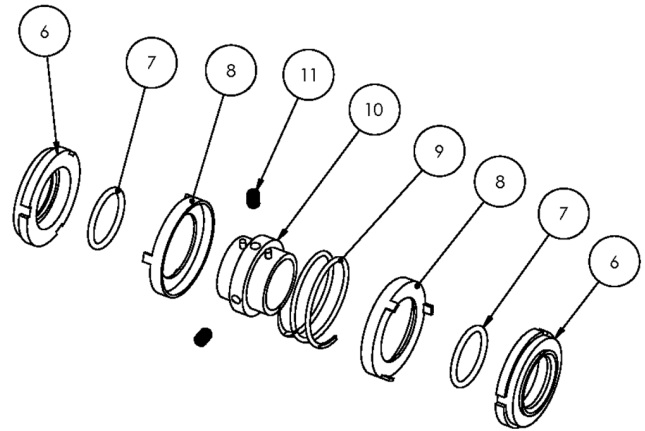
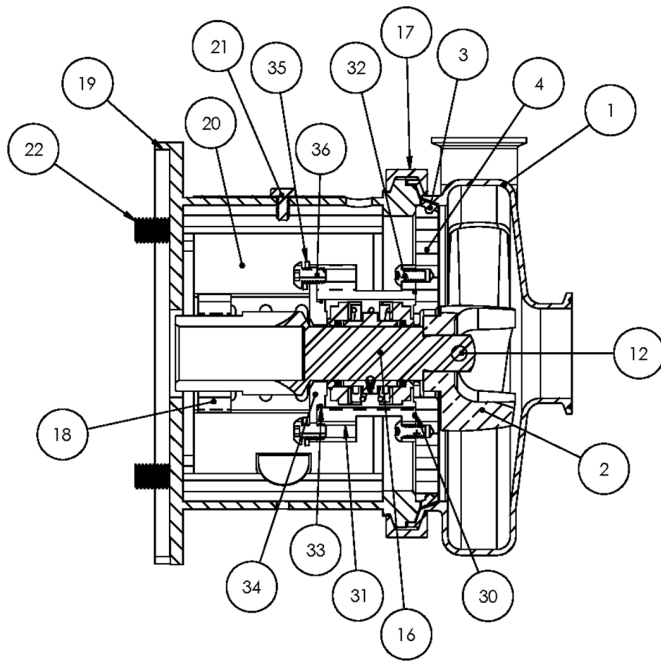
Ref #	Component Item No.	Description	Qty Per
1	<b>C+KIT-114/56</b>	<b>KIT,114,56TC,C+CONVRT,BUNA C</b>	<b>1</b>
	<i>C+KIT-114/56-E</i>	<i>KIT,114,56TC,C+CONVRT,EPDM C</i>	<i>1</i>
	<i>C+KIT-114/56-V</i>	<i>KIT,114,56TC,C+CONVRT,VIT C</i>	<i>1</i>



**Exploded View**

*Optional Items Shown in ITALICS*

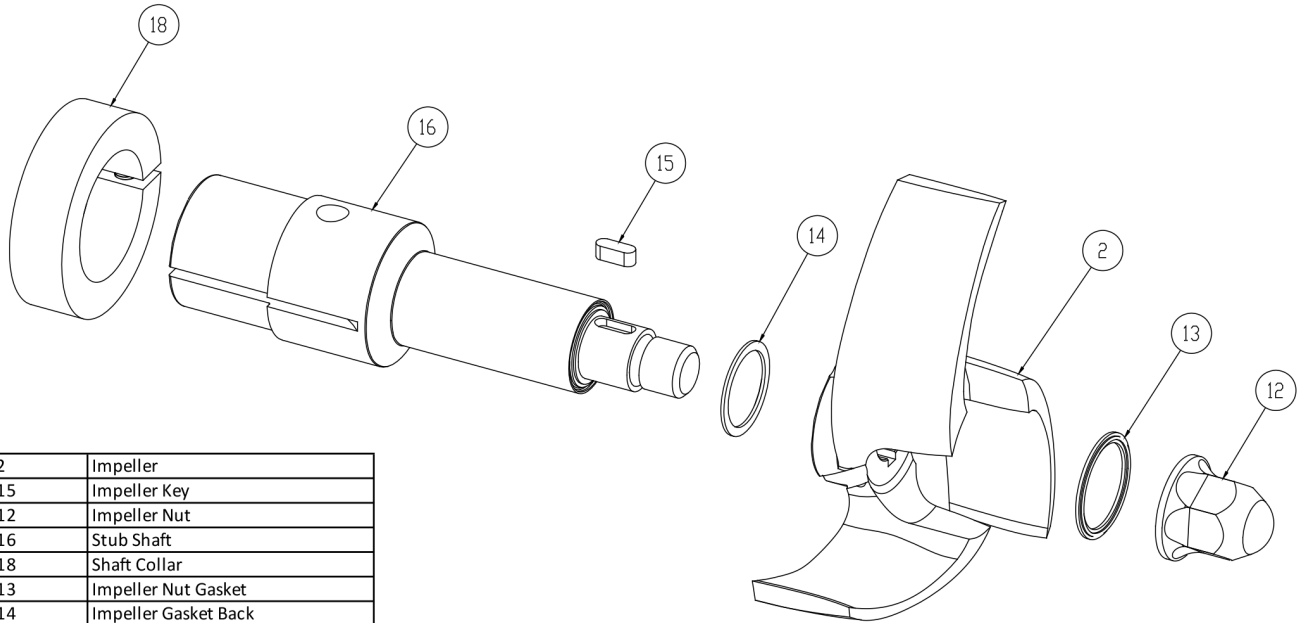
Ref #	Component Item No.	Description	Qty Per
1	<b>S114M-01C-316L</b>	<b>CASING,1-1/2X1-1/2,TRI-CLMP C114/C+114</b>	1
	<i>S114T-01C</i>	<i>CASING,1-1/2X1-1/2,BVL SEAT C114/C+114</i>	1
	<i>S114MI-01C</i>	<i>CASING,1-1/2X1-1/2,GLASS BEAD C114/C+114</i>	1
	<i>S114S-01C</i>	<i>CASING,1-1/2X1-1/2,NPT C114/C+114</i>	1
	<i>S114F-01D</i>	<i>CASING,1-1/2X1-1/2,FLNGD C114/C+114</i>	1
2	<b>S114-02C-316L</b>	<b>IMPELLER,114/214 C UNIVERSAL</b>	1
3	<b>S114-90A-U</b>	<b>GASKET,114,CASING,BUNA C C+</b>	1
	<i>S114-90A-E</i>	<i>GASKET,114,CASING,EPDM C C+</i>	1
	<i>S114-90A-V</i>	<i>GASKET,114,CASING,VIT C C+</i>	1
4	<b>114E-11B-316</b>	<b>BACKPLATE,E,114 C C+</b>	1
6	<b>114E-80-1A</b>	<b>SEAL,114/214,CARBON C C+</b>	2
7	<b>60C-3-34A-U</b>	<b>O-RING,114/214,SEAL,BUNA C C+</b>	2
	<i>60C-3-34A-E</i>	<i>O-RING,114,SEAL,EPDM C C+</i>	2
	<i>60C-3-34A-V</i>	<i>O-RING,114,SEAL,FDA/3-A,VIT C C+</i>	2
8	<b>114E-80-3P</b>	<b>CUP,E,114/214,+114/214 C C+</b>	2
9	<b>114E-80-4A</b>	<b>SPRING,E,114/214 C C+</b>	1
10	<b>114E-23-316L</b>	<b>COLLAR,E,114/+114,DRIVE C C+</b>	1
11	<b>SC1103A-SS</b>	<b>SCREW,SET,1/4-20X1/4 E BALANCED</b>	2
12	<b>114D-24B-316L</b>	<b>RETAINER,IMPLR</b>	1
16	<b>C114E-14T-06</b>	<b>STUBSHAFT,140TC,UNIVRSL C114</b>	1
17	<b>S114-75AR-S</b>	<b>CLAMP,114,CASING C C+</b>	1
18	<b>SX18000013</b>	<b>COLLAR,56C/140TC,SHAFT L SEE ITEM NOTES</b>	1
19	<b>114E56T-71C-SS</b>	<b>ADAPTER,56C-140TC FRAME,SS C114/C+114</b>	1
20	<b>C114-56T-131A-S</b>	<b>GUARD,SEAL,114/214,SS C C+ CB+ IC+ 056C</b>	1
21	<b>GX5079600</b>	<b>CAPSCRW,HX,1/4-20X1/2,18-8SS HX HD</b>	1
22	<b>GX5077100</b>	<b>CAPSCRW,HX,3/8-16X1,18-8SS HX HD</b>	4
30	<b>17-106-U</b>	<b>O-RING,114/214/+2116,BUNA C C+</b>	1



**Exploded View**

*Optional Items Shown in ITALICS*

Ref #	Component Item No.	Description	Qty Per
30	17-106-E	O-RING, 114/214/+2116, EPDM C C+	1
	17-106-V	O-RING, 114/214/+2116, VITON C C+	1
31	114E-83B-316	STUFFING BOX, E, 114 C C+	1
32	SC904E-SS	CAPSCRW, SH, 10-24X1/2, 18-8SS SCKT HD	4
33	17-275-U	O-RING, 216, FOLLOWER, BUNA C C+	1
	17-275-E	O-RING, 216, FOLLOWER, EPDM C	1
	17-275-V	O-RING, 216, FOLLOWER, VIT C	1
34	114E-17-316	FOLLOWER, E, 114/+114 C C+	1
35	LWA-1100-SS	WASHER, LOCK, 1/4, 18-8SS	4
36	SC1106E-SS	CAPSCRW, BH, 1/4-20X1/2, 18-8SS BUTTON HD	4

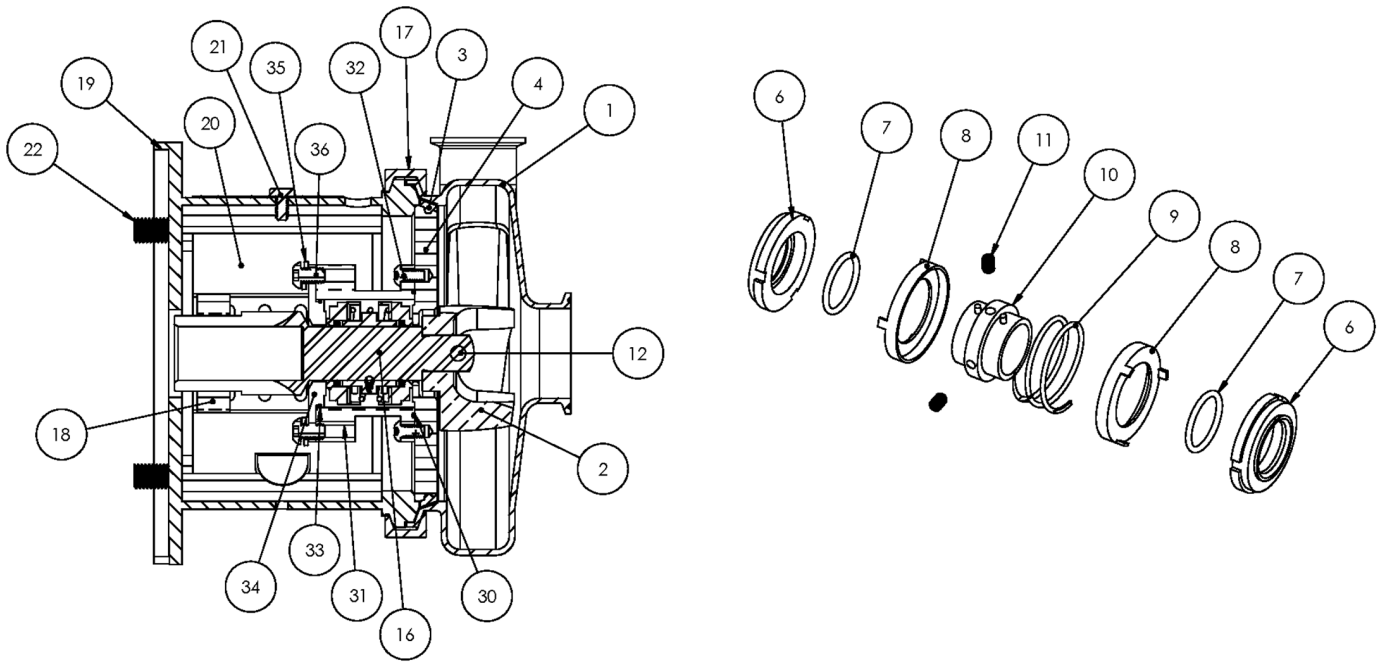


2	Impeller
15	Impeller Key
12	Impeller Nut
16	Stub Shaft
18	Shaft Collar
13	Impeller Nut Gasket
14	Impeller Gasket Back

**AC+ Conversion Kit**

*Optional Items Shown in ITALICS*

Ref #	Component Item No.	Description	Qty Per
1	<b>C+KIT-114/14</b>	<b>KIT,114,140TC,C+CONVERT,BUNA C</b>	<b>1</b>
	<i>C+KIT-114/14-E</i>	<i>KIT,114,140TC,C+CONVERT,EPDM C</i>	<i>1</i>
	<i>C+KIT-114/14-V</i>	<i>KIT,114,140TC,C+CONVRT,VIT C</i>	<i>1</i>

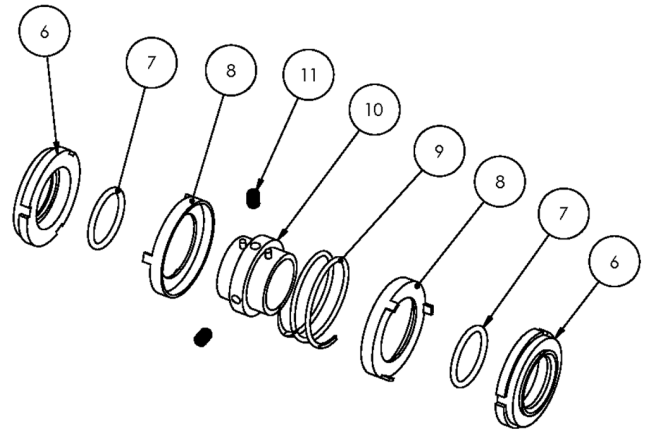
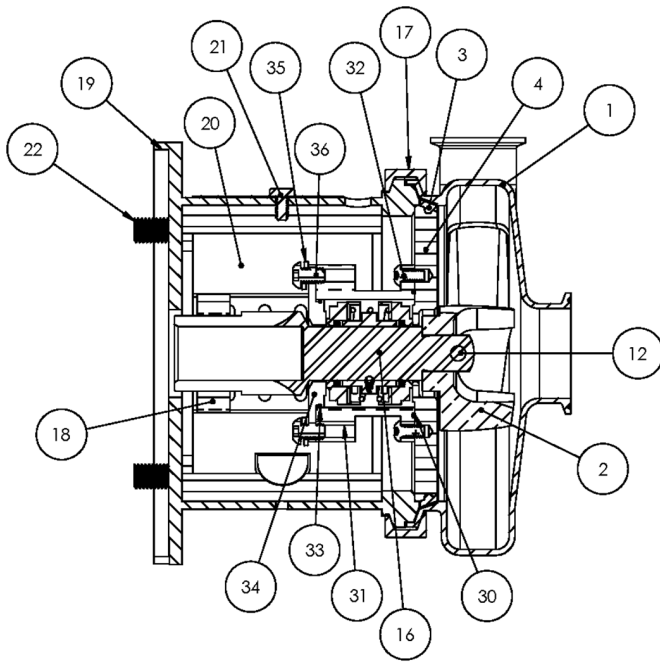


**Exploded View**

*Optional Items Shown in ITALICS*

Ref #	Component Item No.	Description	Qty Per
1	<b>S114M-01C-316L</b>	<b>CASING,1-1/2X1-1/2,TRI-CLMP C114/C+114</b>	1
	<i>S114T-01C</i>	<i>CASING,1-1/2X1-1/2,BVL SEAT C114/C+114</i>	1
	<i>S114MI-01C</i>	<i>CASING,1-1/2X1-1/2,GLASS BEAD C114/C+114</i>	1
	<i>S114S-01C</i>	<i>CASING,1-1/2X1-1/2,NPT C114/C+114</i>	1
	<i>S114F-01D</i>	<i>CASING,1-1/2X1-1/2,FLNGD C114/C+114</i>	1
2	<b>S114-02C-316L</b>	<b>IMPELLER,114/214 C UNIVERSAL</b>	1
3	<b>S114-90A-U</b>	<b>GASKET,114,CASING,BUNA C C+</b>	1
	<i>S114-90A-E</i>	<i>GASKET,114,CASING,EPDM C C+</i>	1
	<i>S114-90A-V</i>	<i>GASKET,114,CASING,VIT C C+</i>	1
4	<b>114E-11B-316</b>	<b>BACKPLATE,E,114 C C+</b>	1
6	<b>114E-80-1A</b>	<b>SEAL,114/214,CARBON C C+</b>	2
7	<b>60C-3-34A-U</b>	<b>O-RING,114/214,SEAL,BUNA C C+</b>	2
	<i>60C-3-34A-E</i>	<i>O-RING,114,SEAL,EPDM C C+</i>	2
	<i>60C-3-34A-V</i>	<i>O-RING,114,SEAL,FDA/3-A,VIT C C+</i>	2
8	<b>114E-80-3P</b>	<b>CUP,E,114/214,+114/214 C C+</b>	2
9	<b>114E-80-4A</b>	<b>SPRING,E,114/214 C C+</b>	1
10	<b>114E-23-316L</b>	<b>COLLAR,E,114/+114,DRIVE C C+</b>	1
11	<b>SC1103A-SS</b>	<b>SCREW,SET,1/4-20X1/4 E BALANCED</b>	2
12	<b>114D-24B-316L</b>	<b>RETAINER,IMPLR</b>	1
16	<b>C114E-14T-06</b>	<b>STUBSHAFT,140TC,UNIVRSL C114</b>	1
17	<b>S114-75AR-S</b>	<b>CLAMP,114,CASING C C+</b>	1
18	<b>SX18000014</b>	<b>COLLAR,180TC,SHAFT LC</b>	1
19	<b>114E-18T-71C-SS</b>	<b>ADAPTER,180TC FRAME,SS C114/C+114</b>	1
20	<b>C114-56T-131A-S</b>	<b>GUARD,SEAL,114/214,SS C C+ CB+ IC+ 056C</b>	1
21	<b>GX5079600</b>	<b>CAPSCRW,HX,1/4-20X1/2,18-8SS HX HD</b>	1
22	<b>SC1710H-SS</b>	<b>CAPSCRW,HX,1/2-13X1,18-8SS HX HD</b>	4
30	<b>17-106-U</b>	<b>O-RING,114/214/+2116,BUNA C C+</b>	1

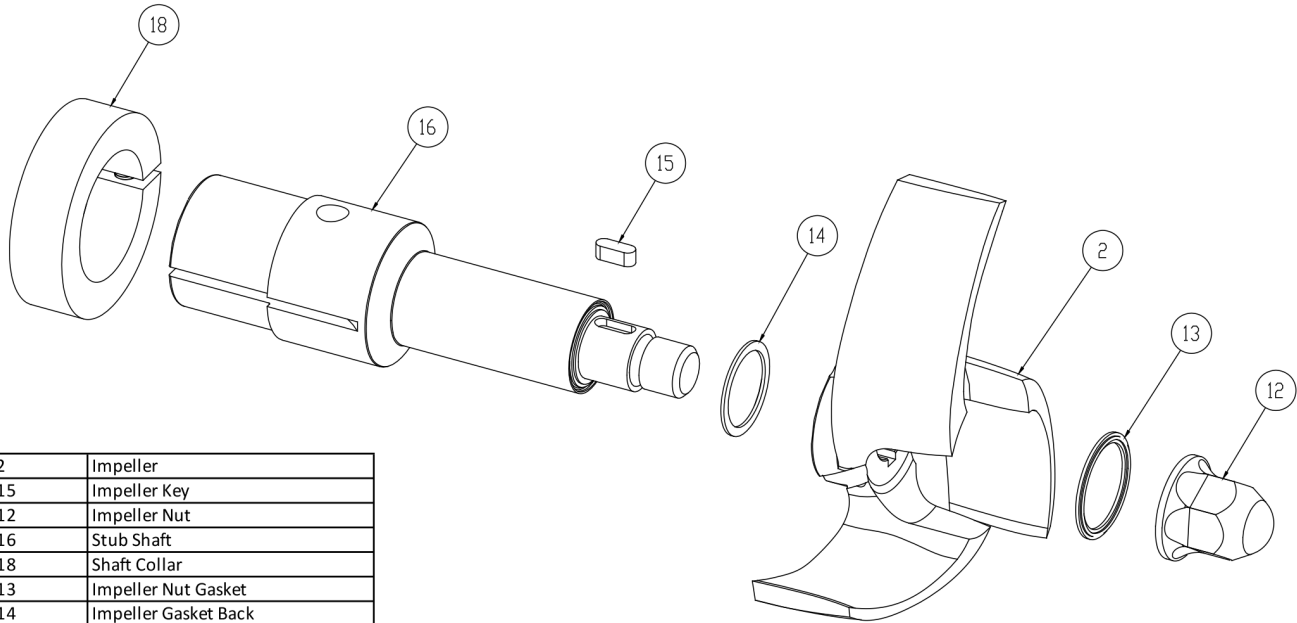




**Exploded View**

*Optional Items Shown in ITALICS*

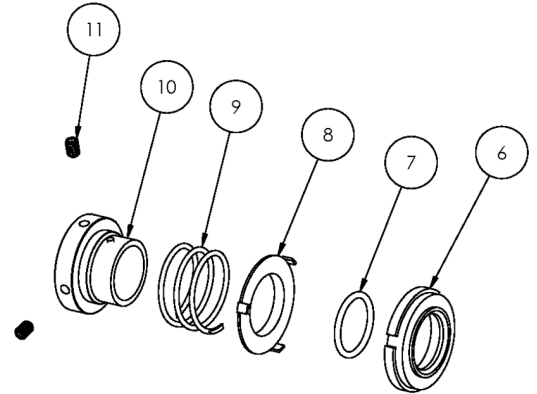
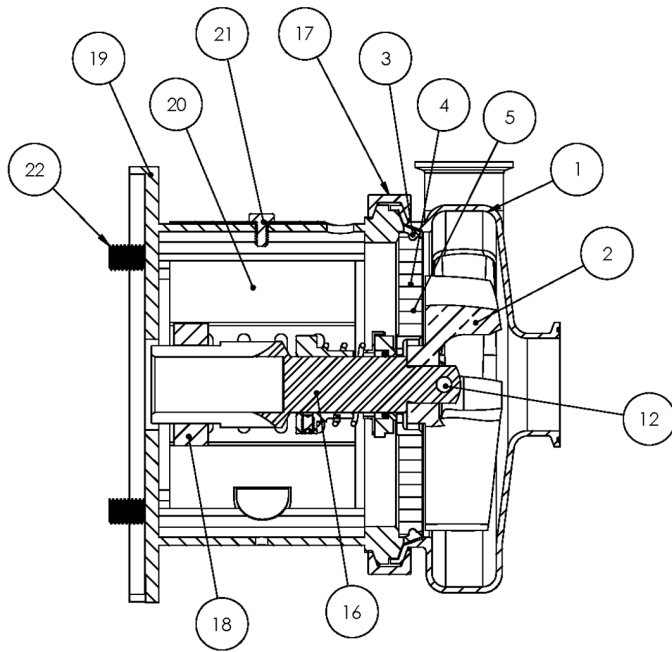
Ref #	Component Item No.	Description	Qty Per
30	17-106-E	O-RING, 114/214/+2116, EPDM C C+	1
	17-106-V	O-RING, 114/214/+2116, VITON C C+	1
31	114E-83B-316	STUFFING BOX, E, 114 C C+	1
32	SC904E-SS	CAPSCRW, SH, 10-24X1/2, 18-8SS SCKT HD	4
33	17-275-U	O-RING, 216, FOLLOWER, BUNA C C+	1
	17-275-E	O-RING, 216, FOLLOWER, EPDM C	1
	17-275-V	O-RING, 216, FOLLOWER, VIT C	1
34	114E-17-316	FOLLOWER, E, 114/+114 C C+	1
35	LWA-1100-SS	WASHER, LOCK, 1/4, 18-8SS	4
36	SC1106E-SS	CAPSCRW, BH, 1/4-20X1/2, 18-8SS BUTTON HD	4



**AC+ Conversion Kit**

*Optional Items Shown in ITALICS*

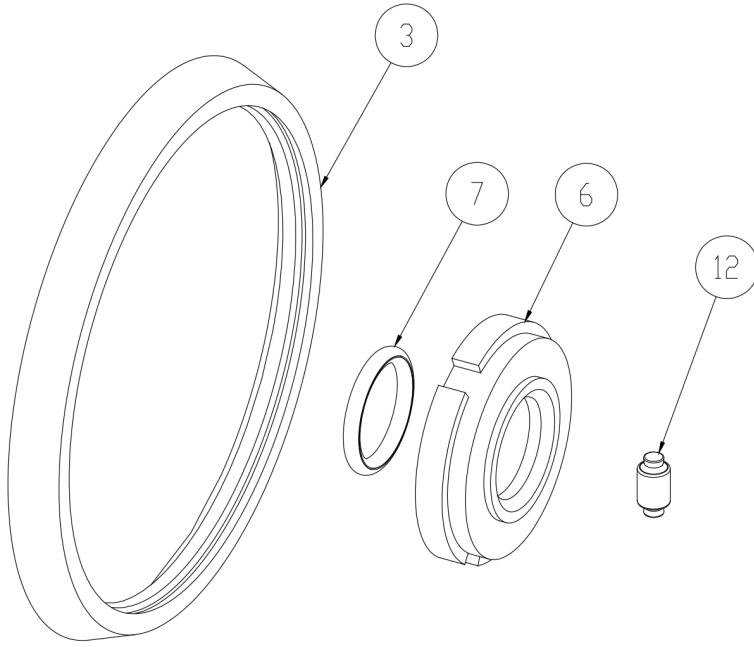
Ref #	Component Item No.	Description	Qty Per
1	<b>C+KIT-114/18</b>	<b>KIT,114,180TC,C+CONVRT,BUNA C</b>	<b>1</b>
	<i>C+KIT-114/18-E</i>	<i>KIT,114,180TC,C+CONVRT,EPDM C</i>	<i>1</i>
	<i>C+KIT-114/18-V</i>	<i>KIT,114,180TC,C+CONVRT,VIT C</i>	<i>1</i>



**Exploded View**

*Optional Items Shown in ITALICS*

Ref #	Component Item No.	Description	Qty Per
1	<b>S214M-01C-E</b>	<b>CASING,2X1-1/2,TRI-CLMP C214/C+214</b>	1
	<i>S214T-01C-E</i>	<i>CASING,2X1-1/2,BVL SEAT C214/C+214</i>	1
	<i>S214MI-01C-E</i>	<i>CASING,2X1-1/2,CLMP GLASS BEAD</i>	1
	<i>S214S-01C-E</i>	<i>CASING,2X1-1/2,NPT C214/C+214</i>	1
	<i>S214F-01D-E</i>	<i>CASING,2X1-1/2,FLNGD C214/C+214</i>	1
2	<b>S114-02C-316L</b>	<b>IMPELLER,114/214 C UNIVERSAL</b>	1
3	<b>S114-90A-U</b>	<b>GASKET,114,CASING,BUNA C C+</b>	1
	<i>S114-90A-E</i>	<i>GASKET,114,CASING,EPDM C C+</i>	1
	<i>S114-90A-V</i>	<i>GASKET,114,CASING,VIT C C+</i>	1
4	<b>114D-11-316</b>	<b>BACKPLATE,D,114 C C+</b>	1
5	<b>216D-11-1-S</b>	<b>PIN,BACKPLT,114/216/328 C C+</b>	2
6	<b>114E-80-1A</b>	<b>SEAL,114/214,CARBON C C+</b>	1
7	<b>60C-3-34A-U</b>	<b>O-RING,114/214,SEAL,BUNA C C+</b>	1
	<i>60C-3-34A-E</i>	<i>O-RING,114,SEAL,EPDM C C+</i>	1
	<i>60C-3-34A-V</i>	<i>O-RING,114,SEAL,FDA/3-A,VIT C C+</i>	1
8	<b>114D-80-3P</b>	<b>CUP,D,114/214/+114/214 C C+</b>	1
9	<b>114D-80-4</b>	<b>SPRING,D,114/214 C C+</b>	1
10	<b>SP114D-23P-316L</b>	<b>COLLAR,D,+114,DRIVE C+</b>	1
11	<b>SC1105A-SS</b>	<b>SCREW,SET,DRV COLLR,1/4-20X3/8 -SS</b>	2
12	<b>114D-24B-316L</b>	<b>RETAINER,IMPLR</b>	1
16	<b>C114E56T-06</b>	<b>STUBSHAFT,56C,UNIVRSL C114</b>	1
17	<b>S114-75AR-S</b>	<b>CLAMP,114,CASING C C+</b>	1
18	<b>SX18000013</b>	<b>COLLAR,56C/140TC,SHAFT L SEE ITEM NOTES</b>	1
19	<b>114E56T-71C-SS</b>	<b>ADAPTER,56C-140TC FRAME,SS C114/C+114</b>	1
20	<b>C114-56T-131A-S</b>	<b>GUARD,SEAL,114/214,SS C C+ CB+ IC+ 056C</b>	1
21	<b>GX5079600</b>	<b>CAPSCRW,HX,1/4-20X1/2,18-8SS HX HD</b>	1
22	<b>GX5077100</b>	<b>CAPSCRW,HX,3/8-16X1,18-8SS HX HD</b>	4

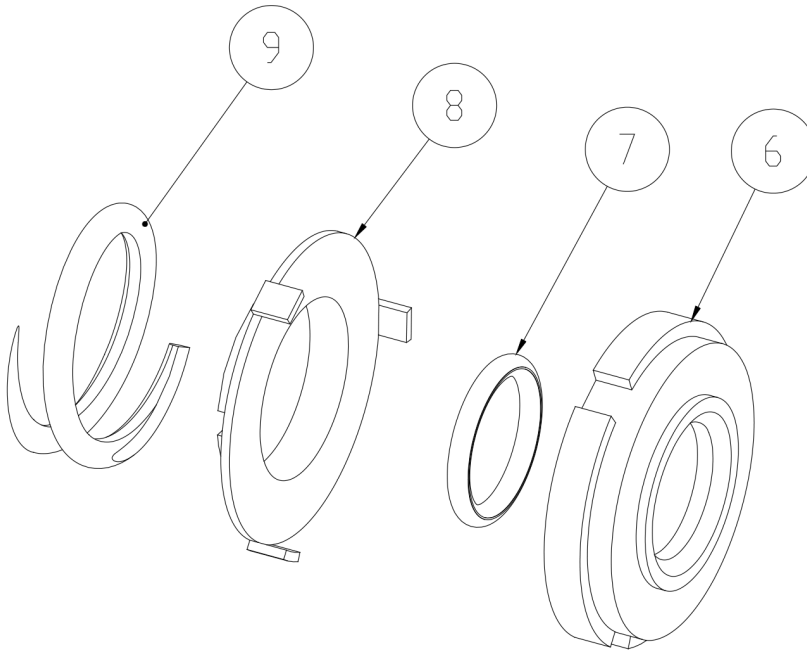


3	Casing Gasket
6	Seal Carbon
7	Seal O-Ring
12	Impeller Pin

**Seal Kit #1**

*Optional Items Shown in ITALICS*

Ref #	Component Item No.	Description	Qty Per
1	<b>KIT#1-C114-B</b>	<b>KIT,#1,SEAL,114,BUNA</b>	<b>1</b>
	<i>KIT#1-C114-E</i>	<i>KIT,#1,SEAL,114,EPDM C</i>	<i>1</i>
	<i>KIT#1-C114-S</i>	<i>KIT,#1,SEAL,114,SFY,VIT C</i>	<i>1</i>

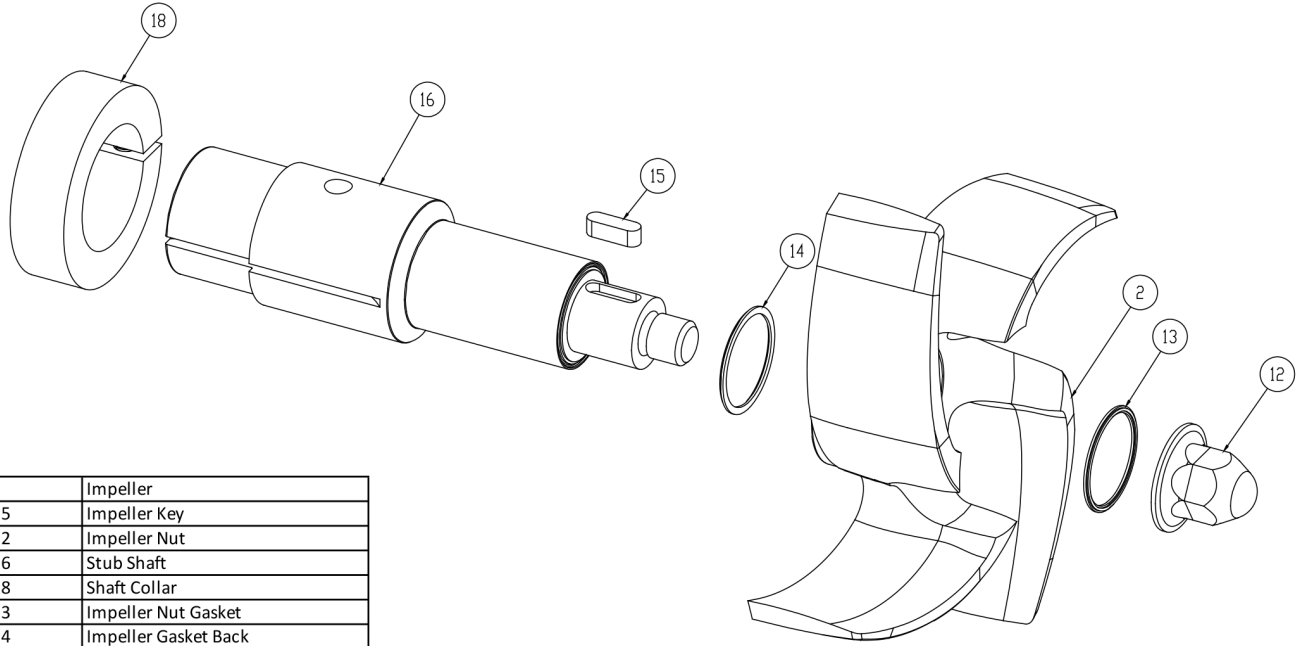


6	Seal Carbon
7	Seal O-Ring
8	Cup D Seal
9	Spring D Seal

**Seal Kit #3**

*Optional Items Shown in ITALICS*

Ref #	Component Item No.	Description	Qty Per
1	<b>KIT#3-C114-B</b>	<b>KIT,#3,114,SEAL,BUNA C</b>	<b>1</b>
	<i>KIT#3-C114-E</i>	<i>KIT,#3,SEAL,114,EPDM C</i>	<i>1</i>
	<i>KIT#3-C114-S</i>	<i>KIT,#3,SEAL,114,SFY,VIT C</i>	<i>1</i>

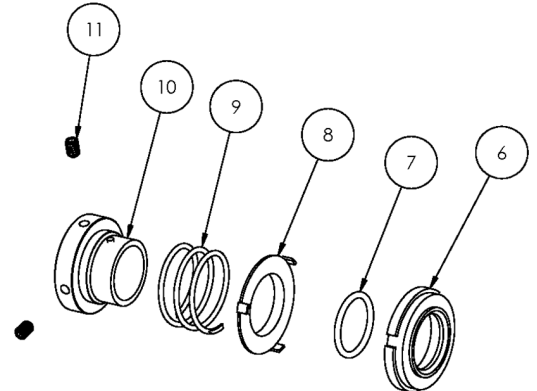
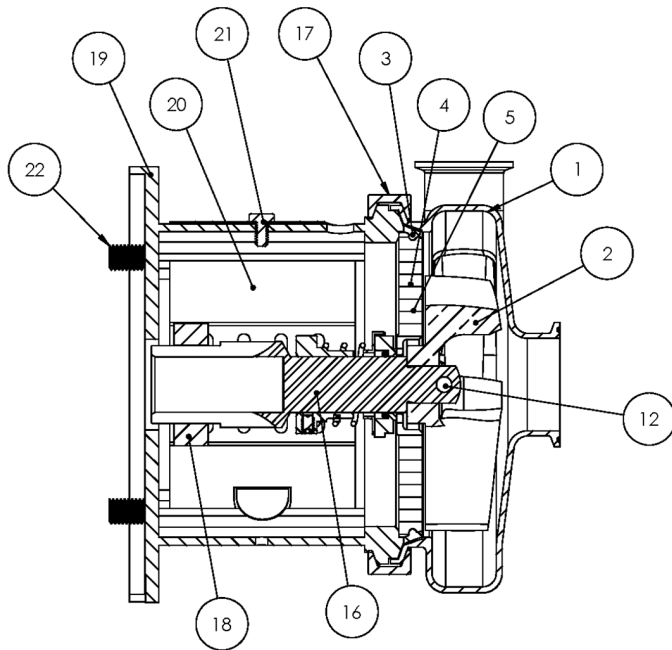


2	Impeller
15	Impeller Key
12	Impeller Nut
16	Stub Shaft
18	Shaft Collar
13	Impeller Nut Gasket
14	Impeller Gasket Back

**AC+ Conversion Kit**

*Optional Items Shown in ITALICS*

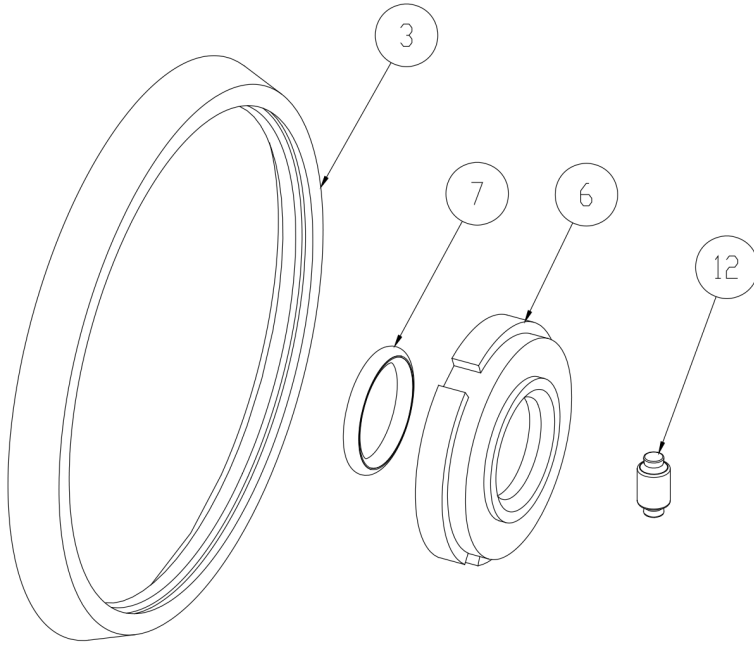
Ref #	Component Item No.	Description	Qty Per
1	<b>C+KIT-114/56</b>	<b>KIT,114,56TC,C+CONVRT,BUNA C</b>	<b>1</b>
	<i>C+KIT-114/56-E</i>	<i>KIT,114,56TC,C+CONVRT,EPDM C</i>	<i>1</i>
	<i>C+KIT-114/56-V</i>	<i>KIT,114,56TC,C+CONVRT,VIT C</i>	<i>1</i>



**Exploded View**

*Optional Items Shown in ITALICS*

Ref #	Component Item No.	Description	Qty Per
1	<b>S214M-01C-E</b>	<b>CASING,2X1-1/2,TRI-CLMP C214/C+214</b>	1
	<i>S214T-01C-E</i>	<i>CASING,2X1-1/2,BVL SEAT C214/C+214</i>	1
	<i>S214MI-01C-E</i>	<i>CASING,2X1-1/2,CLMP GLASS BEAD</i>	1
	<i>S214S-01C-E</i>	<i>CASING,2X1-1/2,NPT C214/C+214</i>	1
	<i>S214F-01D-E</i>	<i>CASING,2X1-1/2,FLNGD C214/C+214</i>	1
2	<b>S114-02C-316L</b>	<b>IMPELLER,114/214 C UNIVERSAL</b>	1
3	<b>S114-90A-U</b>	<b>GASKET,114,CASING,BUNA C C+</b>	1
	<i>S114-90A-E</i>	<i>GASKET,114,CASING,EPDM C C+</i>	1
	<i>S114-90A-V</i>	<i>GASKET,114,CASING,VIT C C+</i>	1
4	<b>114D-11-316</b>	<b>BACKPLATE,D,114 C C+</b>	1
5	<b>216D-11-1-S</b>	<b>PIN,BACKPLT,114/216/328 C C+</b>	2
6	<b>114E-80-1A</b>	<b>SEAL,114/214,CARBON C C+</b>	1
7	<b>60C-3-34A-U</b>	<b>O-RING,114/214,SEAL,BUNA C C+</b>	1
	<i>60C-3-34A-E</i>	<i>O-RING,114,SEAL,EPDM C C+</i>	1
	<i>60C-3-34A-V</i>	<i>O-RING,114,SEAL,FDA/3-A,VIT C C+</i>	1
8	<b>114D-80-3P</b>	<b>CUP,D,114/214/+114/214 C C+</b>	1
9	<b>114D-80-4</b>	<b>SPRING,D,114/214 C C+</b>	1
10	<b>SP114D-23P-316L</b>	<b>COLLAR,D,+114,DRIVE C+</b>	1
11	<b>SC1105A-SS</b>	<b>SCREW,SET,DRV COLLR,1/4-20X3/8 -SS</b>	2
12	<b>114D-24B-316L</b>	<b>RETAINER,IMPLR</b>	1
16	<b>C114E-14T-06</b>	<b>STUBSHAFT,140TC,UNIVRSL C114</b>	1
17	<b>S114-75AR-S</b>	<b>CLAMP,114,CASING C C+</b>	1
18	<b>SX18000013</b>	<b>COLLAR,56C/140TC,SHAFT L SEE ITEM NOTES</b>	1
19	<b>114E56T-71C-SS</b>	<b>ADAPTER,56C-140TC FRAME,SS C114/C+114</b>	1
20	<b>C114-56T-131A-S</b>	<b>GUARD,SEAL,114/214,SS C C+ CB+ IC+ 056C</b>	1
21	<b>GX5079600</b>	<b>CAPSCRW,HX,1/4-20X1/2,18-8SS HX HD</b>	1
22	<b>GX5077100</b>	<b>CAPSCRW,HX,3/8-16X1,18-8SS HX HD</b>	4



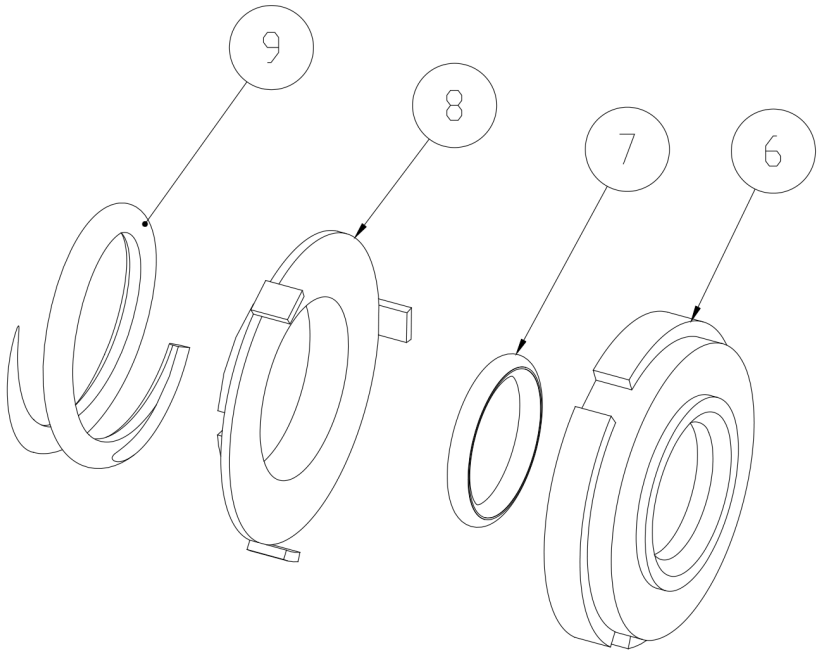
3	Casing Gasket
6	Seal Carbon
7	Seal O-Ring
12	Impeller Pin

**Seal Kit #1**

*Optional Items Shown in ITALICS*

Ref #	Component Item No.	Description	Qty Per
1	<b>KIT#1-C114-B</b>	<b>KIT,#1,SEAL,114,BUNA</b>	<b>1</b>
	<i>KIT#1-C114-E</i>	<i>KIT,#1,SEAL,114,EPDM C</i>	<i>1</i>
	<i>KIT#1-C114-S</i>	<i>KIT,#1,SEAL,114,SFY,VIT C</i>	<i>1</i>



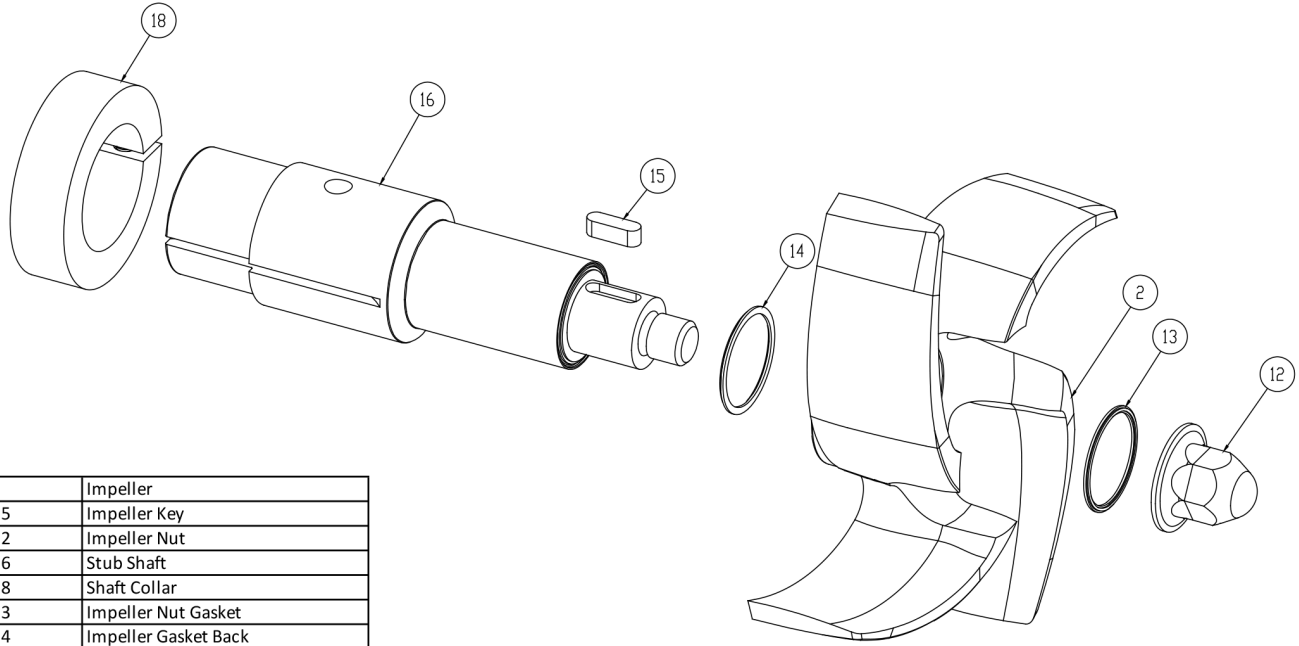


6	Seal Carbon
7	Seal O-Ring
8	Cup D Seal
9	Spring D Seal

**Seal Kit #3**

*Optional Items Shown in ITALICS*

Ref #	Component Item No.	Description	Qty Per
1	<b>KIT#3-C114-B</b>	<b>KIT,#3,114,SEAL,BUNA C</b>	<b>1</b>
	<i>KIT#3-C114-E</i>	<i>KIT,#3,SEAL,114,EPDM C</i>	<i>1</i>
	<i>KIT#3-C114-S</i>	<i>KIT,#3,SEAL,114,SFY,VIT C</i>	<i>1</i>

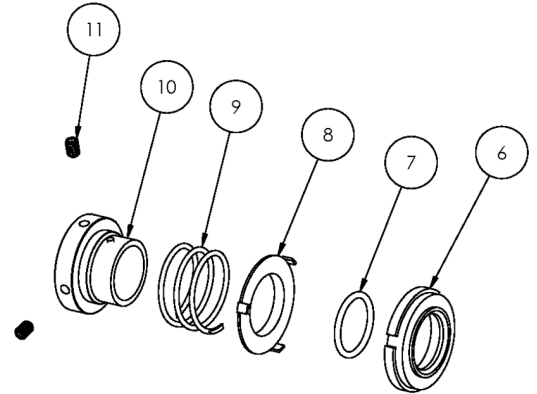
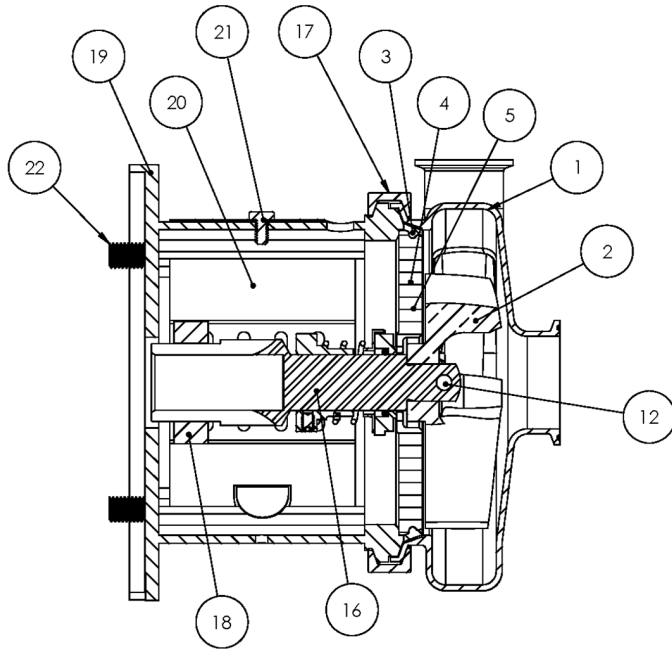


2	Impeller
15	Impeller Key
12	Impeller Nut
16	Stub Shaft
18	Shaft Collar
13	Impeller Nut Gasket
14	Impeller Gasket Back

**AC+ Conversion Kit**

*Optional Items Shown in ITALICS*

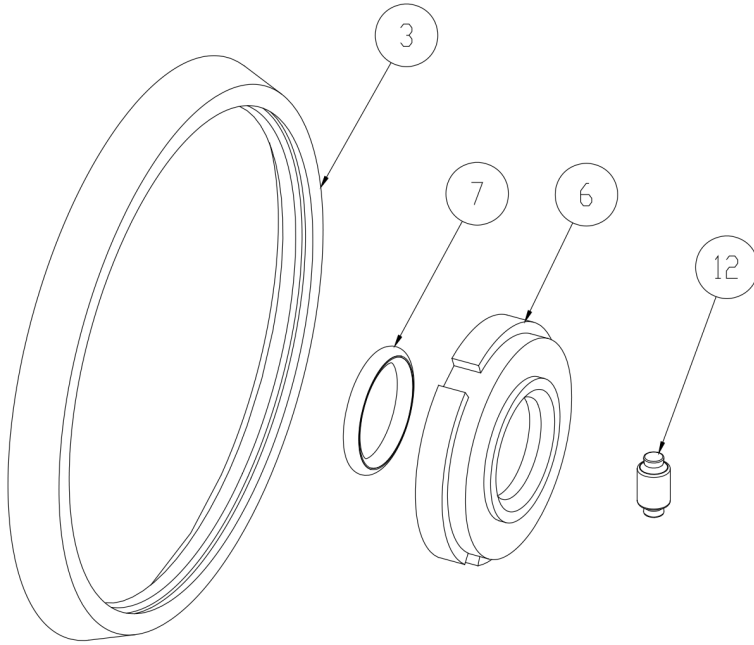
Ref #	Component Item No.	Description	Qty Per
1	<b>C+KIT-114/14</b>	<b>KIT,114,140TC,C+CONVERT,BUNA C</b>	<b>1</b>
	<i>C+KIT-114/14-E</i>	<i>KIT,114,140TC,C+CONVERT,EPDM C</i>	<i>1</i>
	<i>C+KIT-114/14-V</i>	<i>KIT,114,140TC,C+CONVRT,VIT C</i>	<i>1</i>



**Exploded View**

*Optional Items Shown in ITALICS*

Ref #	Component Item No.	Description	Qty Per
1	<b>S214M-01C-E</b>	<b>CASING,2X1-1/2,TRI-CLMP C214/C+214</b>	1
	<i>S214T-01C-E</i>	<i>CASING,2X1-1/2,BVL SEAT C214/C+214</i>	1
	<i>S214MI-01C-E</i>	<i>CASING,2X1-1/2,CLMP GLASS BEAD</i>	1
	<i>S214S-01C-E</i>	<i>CASING,2X1-1/2,NPT C214/C+214</i>	1
	<i>S214F-01D-E</i>	<i>CASING,2X1-1/2,FLNGD C214/C+214</i>	1
2	<b>S114-02C-316L</b>	<b>IMPELLER,114/214 C UNIVERSAL</b>	1
3	<b>S114-90A-U</b>	<b>GASKET,114,CASING,BUNA C C+</b>	1
	<i>S114-90A-E</i>	<i>GASKET,114,CASING,EPDM C C+</i>	1
	<i>S114-90A-V</i>	<i>GASKET,114,CASING,VIT C C+</i>	1
4	<b>114D-11-316</b>	<b>BACKPLATE,D,114 C C+</b>	1
5	<b>216D-11-1-S</b>	<b>PIN,BACKPLT,114/216/328 C C+</b>	2
6	<b>114E-80-1A</b>	<b>SEAL,114/214,CARBON C C+</b>	1
7	<b>60C-3-34A-U</b>	<b>O-RING,114/214,SEAL,BUNA C C+</b>	1
	<i>60C-3-34A-E</i>	<i>O-RING,114,SEAL,EPDM C C+</i>	1
	<i>60C-3-34A-V</i>	<i>O-RING,114,SEAL,FDA/3-A,VIT C C+</i>	1
8	<b>114D-80-3P</b>	<b>CUP,D,114/214/+114/214 C C+</b>	1
9	<b>114D-80-4</b>	<b>SPRING,D,114/214 C C+</b>	1
10	<b>SP114D-23P-316L</b>	<b>COLLAR,D,+114,DRIVE C+</b>	1
11	<b>SC1105A-SS</b>	<b>SCREW,SET,DRV COLLR,1/4-20X3/8 -SS</b>	2
12	<b>114D-24B-316L</b>	<b>RETAINER,IMPLR</b>	1
16	<b>C114E-14T-06</b>	<b>STUBSHAFT,140TC,UNIVRSL C114</b>	1
17	<b>S114-75AR-S</b>	<b>CLAMP,114,CASING C C+</b>	1
18	<b>SX18000014</b>	<b>COLLAR,180TC,SHAFT LC</b>	1
19	<b>114E-18T-71C-SS</b>	<b>ADAPTER,180TC FRAME,SS C114/C+114</b>	1
20	<b>C114-56T-131A-S</b>	<b>GUARD,SEAL,114/214,SS C C+ CB+ IC+ 056C</b>	1
21	<b>GX5079600</b>	<b>CAPSCRW,HX,1/4-20X1/2,18-8SS HX HD</b>	1
22	<b>SC1710H-SS</b>	<b>CAPSCRW,HX,1/2-13X1,18-8SS HX HD</b>	4

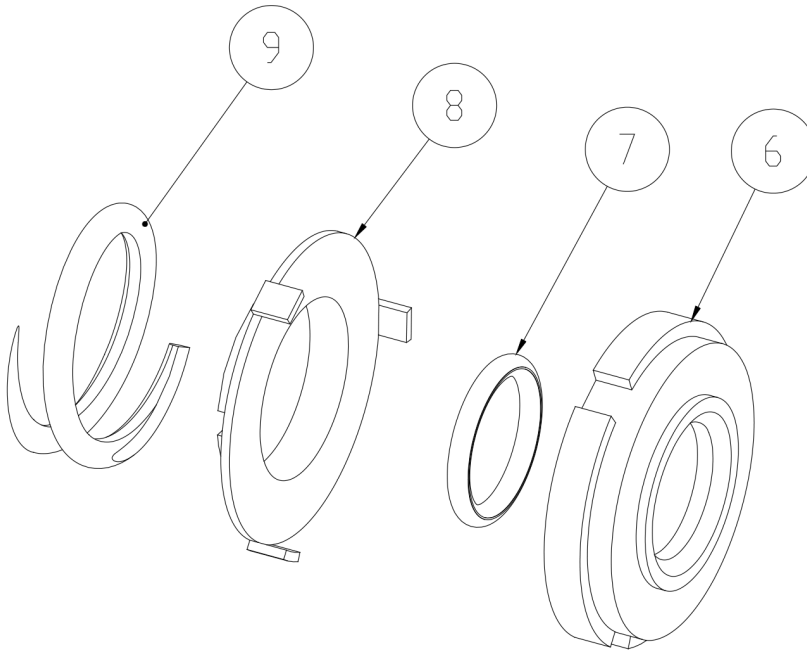


3	Casing Gasket
6	Seal Carbon
7	Seal O-Ring
12	Impeller Pin

**Seal Kit #1**

*Optional Items Shown in ITALICS*

Ref #	Component Item No.	Description	Qty Per
1	<b>KIT#1-C114-B</b>	<b>KIT,#1,SEAL,114,BUNA</b>	<b>1</b>
	<i>KIT#1-C114-E</i>	<i>KIT,#1,SEAL,114,EPDM C</i>	<i>1</i>
	<i>KIT#1-C114-S</i>	<i>KIT,#1,SEAL,114,SFY,VIT C</i>	<i>1</i>

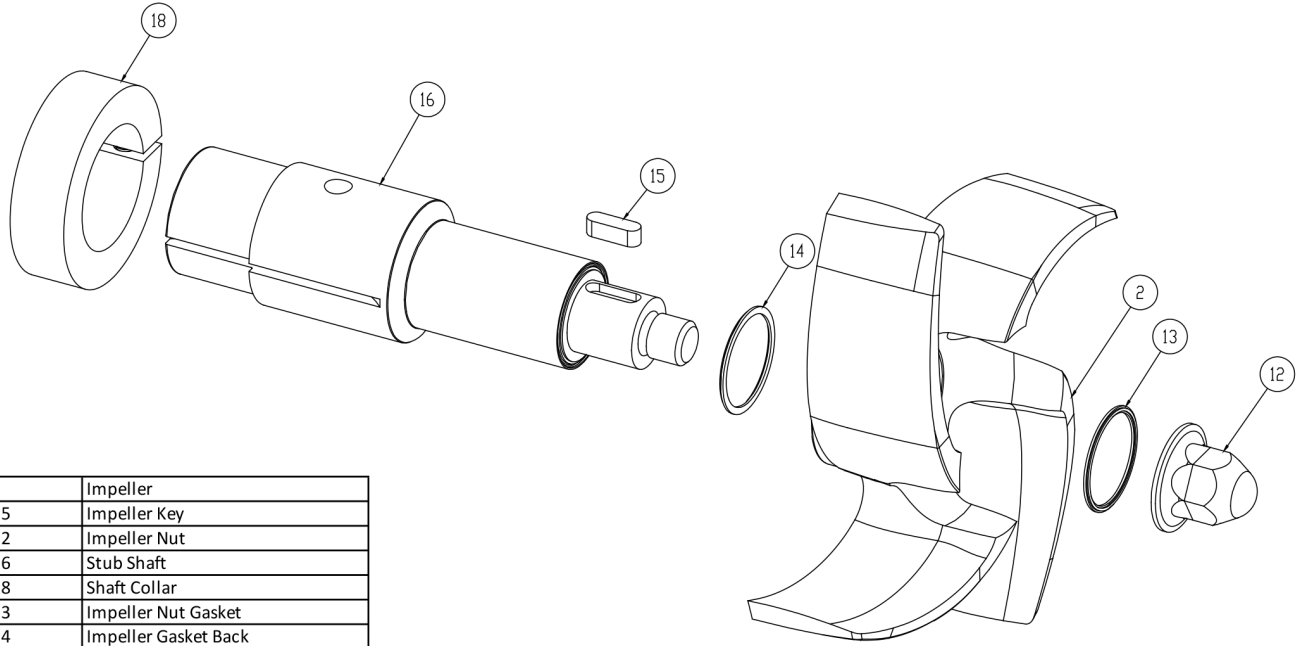


6	Seal Carbon
7	Seal O-Ring
8	Cup D Seal
9	Spring D Seal

**Seal Kit #3**

*Optional Items Shown in ITALICS*

Ref #	Component Item No.	Description	Qty Per
1	<b>KIT#3-C114-B</b>	<b>KIT,#3,114,SEAL,BUNA C</b>	<b>1</b>
	<i>KIT#3-C114-E</i>	<i>KIT,#3,SEAL,114,EPDM C</i>	<i>1</i>
	<i>KIT#3-C114-S</i>	<i>KIT,#3,SEAL,114,SFY,VIT C</i>	<i>1</i>

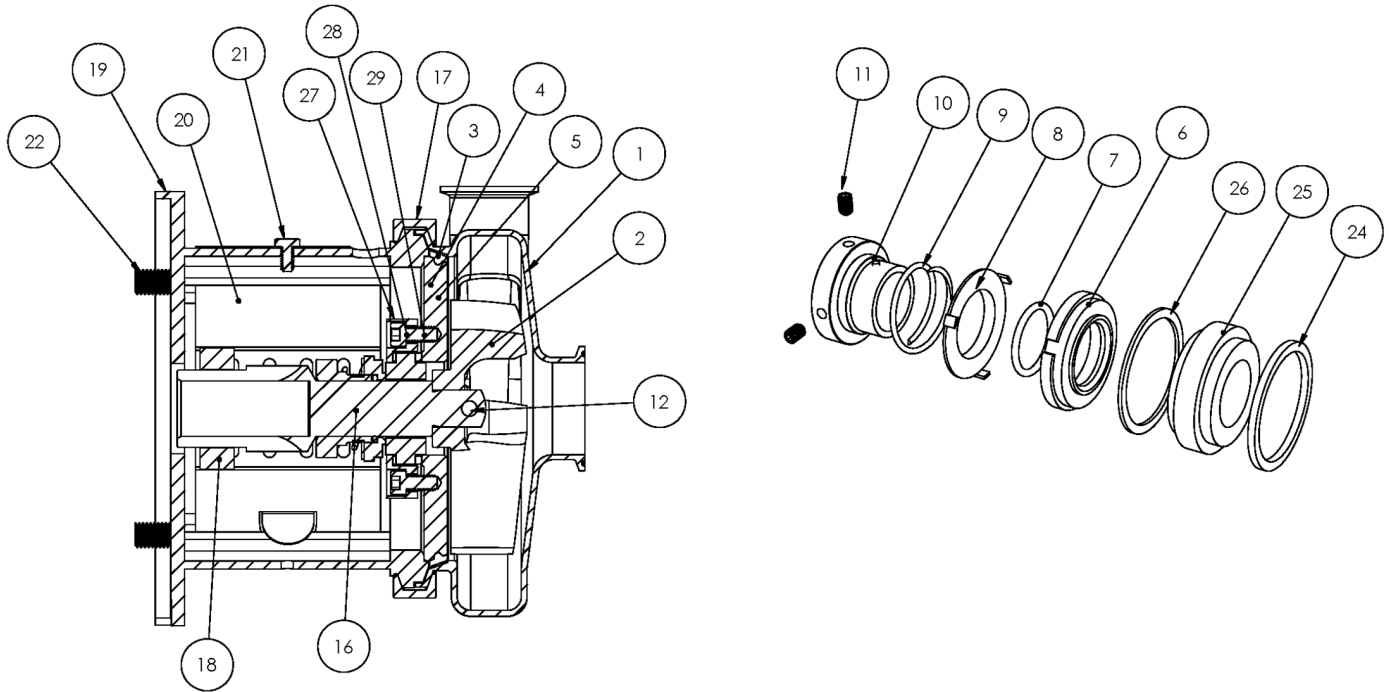


2	Impeller
15	Impeller Key
12	Impeller Nut
16	Stub Shaft
18	Shaft Collar
13	Impeller Nut Gasket
14	Impeller Gasket Back

**AC+ Conversion Kit**

*Optional Items Shown in ITALICS*

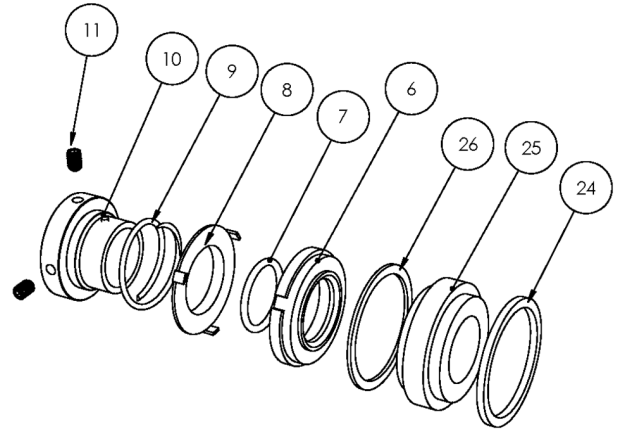
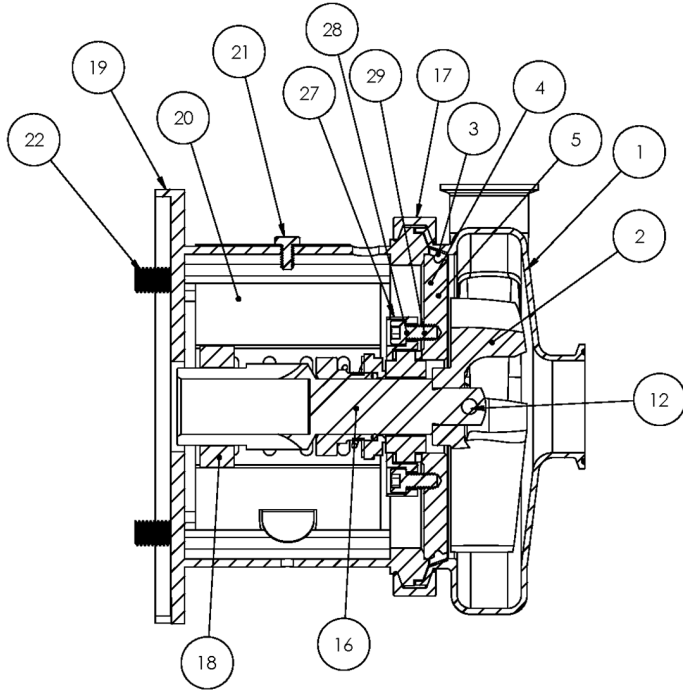
Ref #	Component Item No.	Description	Qty Per
1	<b>C+KIT-114/18</b>	<b>KIT,114,180TC,C+CONVRT,BUNA C</b>	<b>1</b>
	<i>C+KIT-114/18-E</i>	<i>KIT,114,180TC,C+CONVRT,EPDM C</i>	<i>1</i>
	<i>C+KIT-114/18-V</i>	<i>KIT,114,180TC,C+CONVRT,VIT C</i>	<i>1</i>



**Exploded View**

*Optional Items Shown in ITALICS*

Ref #	Component Item No.	Description	Qty Per
1	<b>S214M-01C-E</b>	<b>CASING,2X1-1/2,TRI-CLMP C214/C+214</b>	1
	<i>S214T-01C-E</i>	<i>CASING,2X1-1/2,BVL SEAT C214/C+214</i>	1
	<i>S214MI-01C-E</i>	<i>CASING,2X1-1/2,CLMP GLASS BEAD</i>	1
	<i>S214S-01C-E</i>	<i>CASING,2X1-1/2,NPT C214/C+214</i>	1
	<i>S214F-01D-E</i>	<i>CASING,2X1-1/2,FLNGD C214/C+214</i>	1
2	<b>S114-02C-316L</b>	<b>IMPELLER,114/214 C UNIVERSAL</b>	1
3	<b>S114-90A-U</b>	<b>GASKET,114,CASING,BUNA C C+</b>	1
	<i>S114-90A-E</i>	<i>GASKET,114,CASING,EPDM C C+</i>	1
	<i>S114-90A-V</i>	<i>GASKET,114,CASING,VIT C C+</i>	1
4	<b>SP114G-11-316L</b>	<b>BACKPLATE,DG,114 C C+</b>	1
5	<b>216D-11-1-S</b>	<b>PIN,BACKPLT,114/216/328 C C+</b>	2
6	<b>114E-80-1A</b>	<b>SEAL,114/214,CARBON C C+</b>	1
	<i>114E-80-1SC</i>	<i>SEAL,114,RTRY,SILC CARB C C+</i>	1
7	<b>60C-3-34A-U</b>	<b>O-RING,114/214,SEAL,BUNA C C+</b>	1
	<i>60C-3-34A-E</i>	<i>O-RING,114,SEAL,EPDM C C+</i>	1
	<i>60C-3-34A-V</i>	<i>O-RING,114,SEAL,FDA/3-A,VIT C C+</i>	1
8	<b>114D-80-3P</b>	<b>CUP,D,114/214/+114/214 C C+</b>	1
9	<b>114D-80-4</b>	<b>SPRING,D,114/214 C C+</b>	1
10	<b>SP114D-23P-316L</b>	<b>COLLAR,D,+114,DRIVE C+</b>	1
11	<b>SC1105A-SS</b>	<b>SCREW,SET,DRV COLLR,1/4-20X3/8 -SS</b>	2
12	<b>114D-24B-316L</b>	<b>RETAINER,IMPLR</b>	1
16	<b>C114E56T-06</b>	<b>STUBSHAFT,56C,UNIVRSL C114</b>	1
17	<b>S114-75AR-S</b>	<b>CLAMP,114,CASING C C+</b>	1
18	<b>SX18000013</b>	<b>COLLAR,56C/140TC,SHAFT L SEE ITEM NOTES</b>	1
19	<b>114E56T-71C-SS</b>	<b>ADAPTER,56C-140TC FRAME,SS C114/C+114</b>	1
20	<b>C114-56T-131A-S</b>	<b>GUARD,SEAL,114/214,SS C C+ CB+ IC+ 056C</b>	1
21	<b>GX5079600</b>	<b>CAPSCRW,HX,1/4-20X1/2,18-8SS HX HD</b>	1

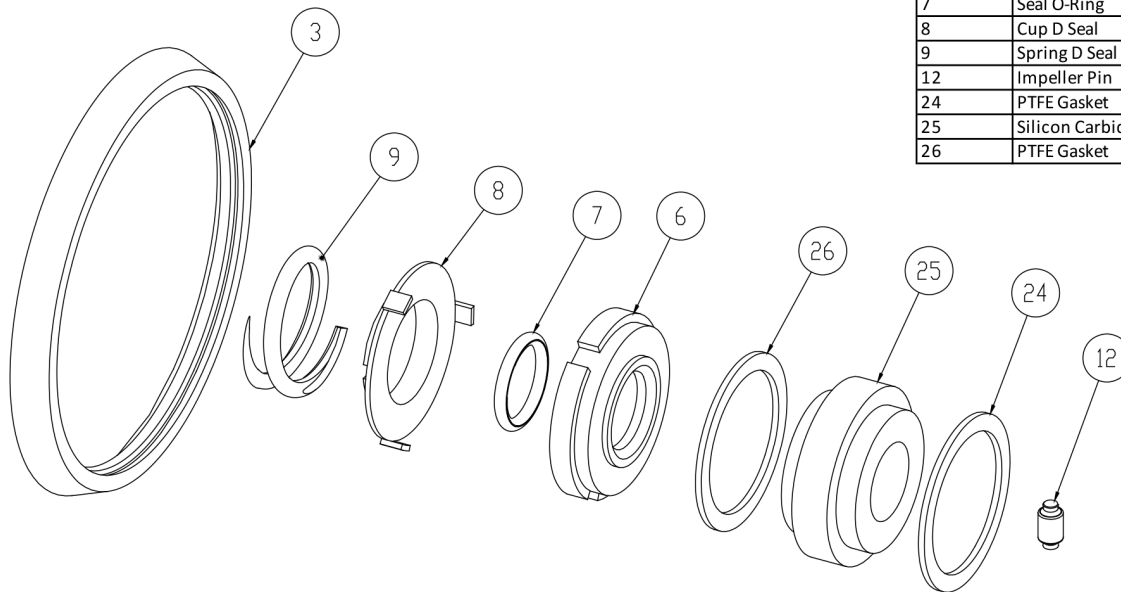


**Exploded View**

*Optional Items Shown in ITALICS*

Ref #	Component Item No.	Description	Qty Per
22	GX5077100	CAPSCRW,HX,3/8-16X1,18-8SS HX HD	4
24	SP114G-80-12G	GASKET,114/214,DG,THN,PTFE C C+	1
25	SP114G-80-11-SC	SEAT,114/214,DG,SEAL,SILC CARB C C+	1
	<i>SP114G-80-11TC</i>	<i>SEAT,114,DG,SEAL,TUNG CARB C C+</i>	1
	<i>SP114G-80-11CER</i>	<i>SEAT,114,DG,SEAL,CERAMIC C C+</i>	1
26	SP114G-80-12G	GASKET,114/214,DG,THN,PTFE C C+	1
27	SP114G-17-316L	RING,114,GLAND,DG C C+	1
28	SC1110H-SS	CAPSCRW,BH,1/4-20X1,18-8SS BUTTON HD	4
29	LWA-1100-SS	WASHER,LOCK,1/4,18-8SS	4



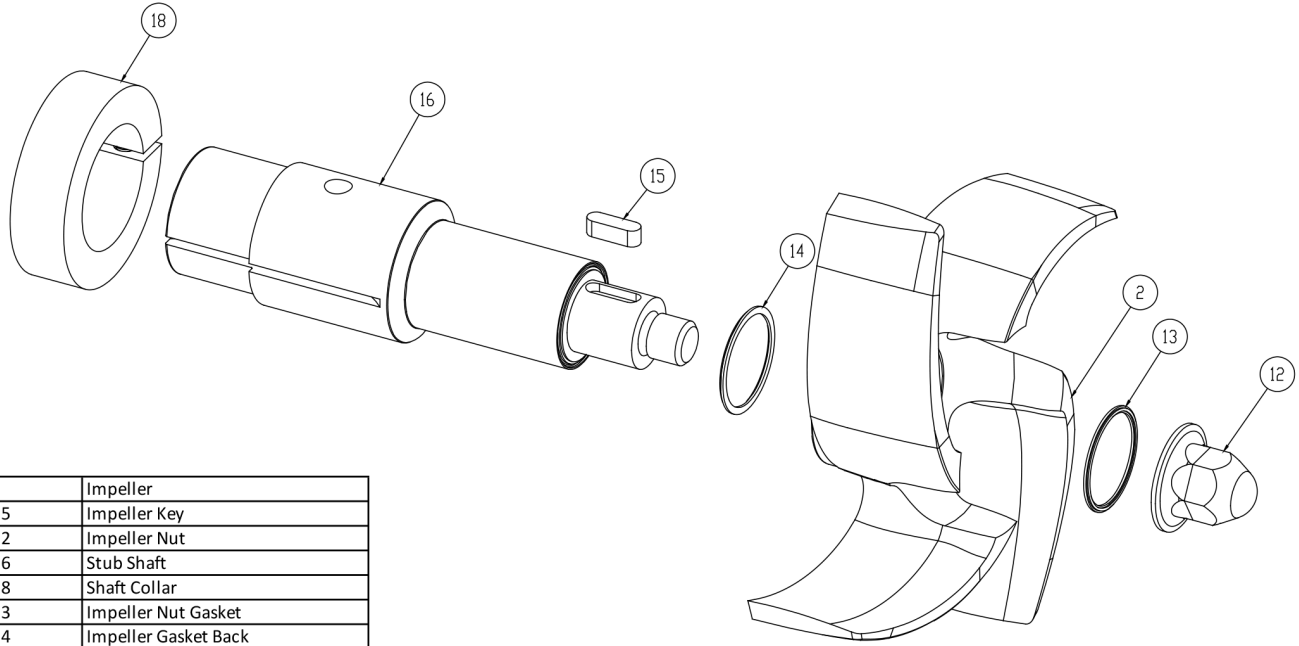


3	Casing Gasket
6	Seal Carbon
7	Seal O-Ring
8	Cup D Seal
9	Spring D Seal
12	Impeller Pin
24	PTFE Gasket
25	Silicon Carbide Seat
26	PTFE Gasket

**Seal Kit DG**

*Optional Items Shown in ITALICS*

Ref #	Component Item No.	Description	Qty Per
1	<b>KITDG-C114-B</b>	<b>KIT,114,DG,SEAL,BUNA C</b>	<b>1</b>
	<i>KITDG-C114-E</i>	<i>KIT,114,DG SEAL,EPDM C</i>	<i>1</i>
	<i>KITDG-C114-S</i>	<i>KIT,114,DG,SEAL,VIT C</i>	<i>1</i>

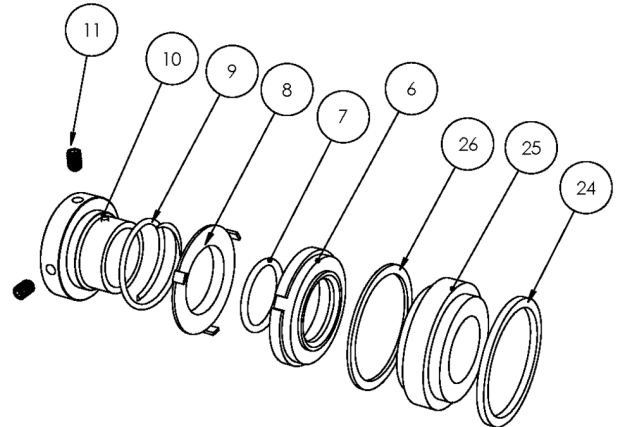
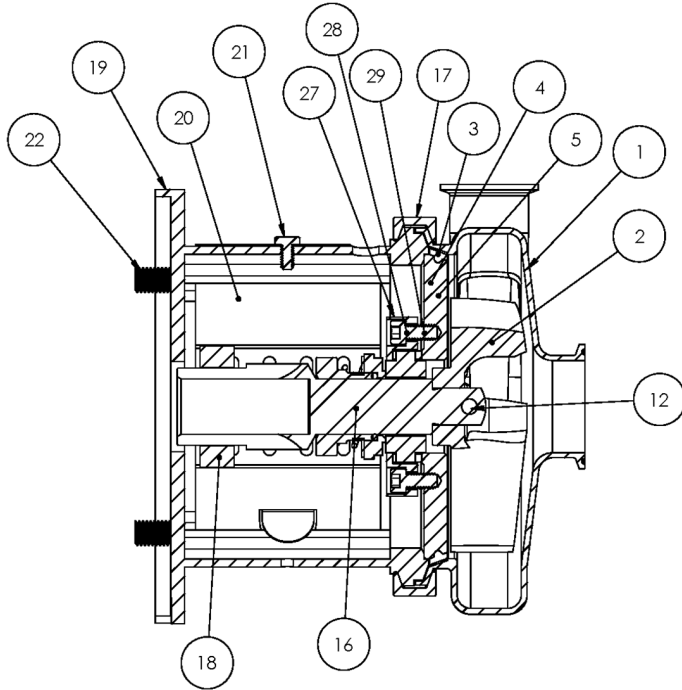


2	Impeller
15	Impeller Key
12	Impeller Nut
16	Stub Shaft
18	Shaft Collar
13	Impeller Nut Gasket
14	Impeller Gasket Back

**AC+ Conversion Kit**

*Optional Items Shown in ITALICS*

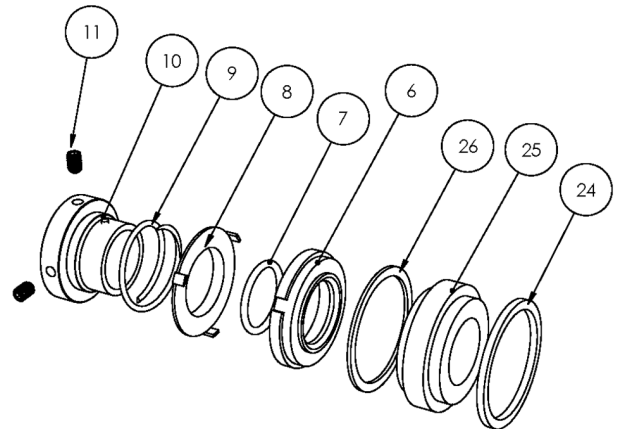
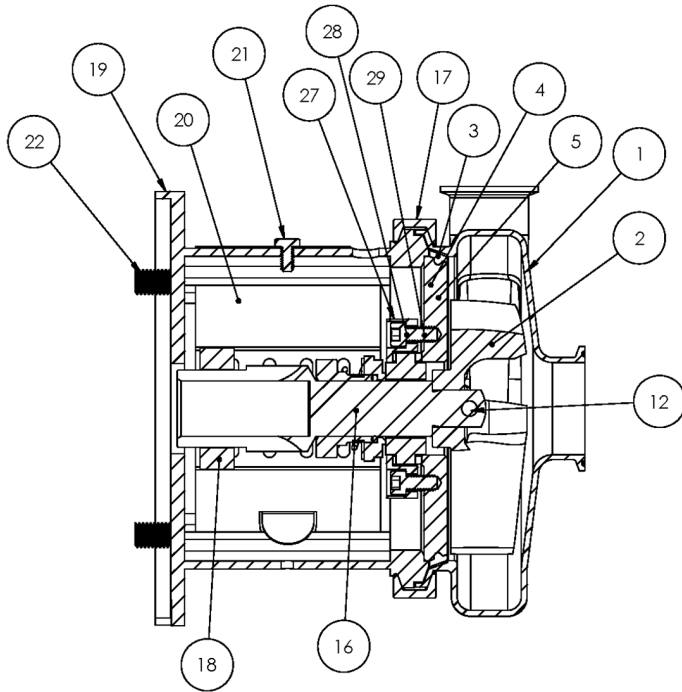
Ref #	Component Item No.	Description	Qty Per
1	<b>C+KIT-114/56</b>	<b>KIT,114,56TC,C+CONVRT,BUNA C</b>	<b>1</b>
	<i>C+KIT-114/56-E</i>	<i>KIT,114,56TC,C+CONVRT,EPDM C</i>	<i>1</i>
	<i>C+KIT-114/56-V</i>	<i>KIT,114,56TC,C+CONVRT,VIT C</i>	<i>1</i>



**Exploded View**

*Optional Items Shown in ITALICS*

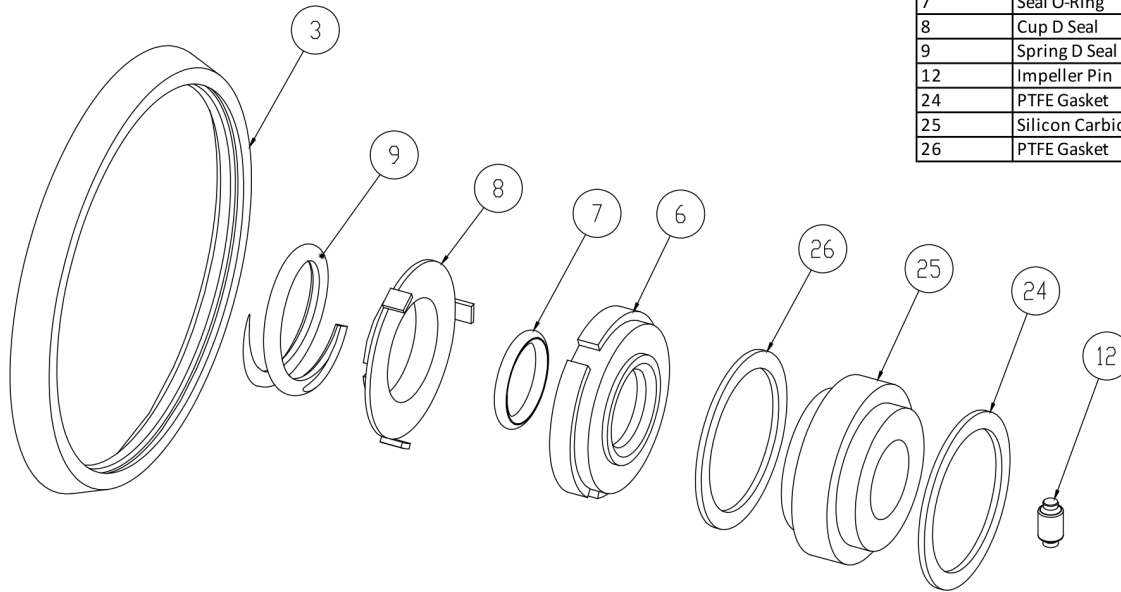
Ref #	Component Item No.	Description	Qty Per
1	<b>S214M-01C-E</b>	<b>CASING,2X1-1/2,TRI-CLMP C214/C+214</b>	1
	<i>S214T-01C-E</i>	<i>CASING,2X1-1/2,BVL SEAT C214/C+214</i>	1
	<i>S214MI-01C-E</i>	<i>CASING,2X1-1/2,CLMP GLASS BEAD</i>	1
	<i>S214S-01C-E</i>	<i>CASING,2X1-1/2,NPT C214/C+214</i>	1
	<i>S214F-01D-E</i>	<i>CASING,2X1-1/2,FLNGD C214/C+214</i>	1
2	<b>S114-02C-316L</b>	<b>IMPELLER,114/214 C UNIVERSAL</b>	1
3	<b>S114-90A-U</b>	<b>GASKET,114,CASING,BUNA C C+</b>	1
	<i>S114-90A-E</i>	<i>GASKET,114,CASING,EPDM C C+</i>	1
	<i>S114-90A-V</i>	<i>GASKET,114,CASING,VIT C C+</i>	1
4	<b>SP114G-11-316L</b>	<b>BACKPLATE,DG,114 C C+</b>	1
5	<b>216D-11-1-S</b>	<b>PIN,BACKPLT,114/216/328 C C+</b>	2
6	<b>114E-80-1A</b>	<b>SEAL,114/214,CARBON C C+</b>	1
	<i>114E-80-1SC</i>	<i>SEAL,114,RTRY,SILC CARB C C+</i>	1
7	<b>60C-3-34A-U</b>	<b>O-RING,114/214,SEAL,BUNA C C+</b>	1
	<i>60C-3-34A-E</i>	<i>O-RING,114,SEAL,EPDM C C+</i>	1
	<i>60C-3-34A-V</i>	<i>O-RING,114,SEAL,FDA/3-A,VIT C C+</i>	1
8	<b>114D-80-3P</b>	<b>CUP,D,114/214/+114/214 C C+</b>	1
9	<b>114D-80-4</b>	<b>SPRING,D,114/214 C C+</b>	1
10	<b>SP114D-23P-316L</b>	<b>COLLAR,D,+114,DRIVE C+</b>	1
11	<b>SC1105A-SS</b>	<b>SCREW,SET,DRV COLLR,1/4-20X3/8 -SS</b>	2
12	<b>114D-24B-316L</b>	<b>RETAINER,IMPLR</b>	1
16	<b>C114E-14T-06</b>	<b>STUBSHAFT,140TC,UNIVRSL C114</b>	1
17	<b>S114-75AR-S</b>	<b>CLAMP,114,CASING C C+</b>	1
18	<b>SX18000013</b>	<b>COLLAR,56C/140TC,SHAFT L SEE ITEM NOTES</b>	1
19	<b>114E56T-71C-SS</b>	<b>ADAPTER,56C-140TC FRAME,SS C114/C+114</b>	1
20	<b>C114-56T-131A-S</b>	<b>GUARD,SEAL,114/214,SS C C+ CB+ IC+ 056C</b>	1
21	<b>GX5079600</b>	<b>CAPSCRW,HX,1/4-20X1/2,18-8SS HX HD</b>	1



**Exploded View**

*Optional Items Shown in ITALICS*

Ref #	Component Item No.	Description	Qty Per
22	GX5077100	CAPSCRW,HX,3/8-16X1,18-8SS HX HD	4
24	SP114G-80-12G	GASKET,114/214,DG,THN,PTFE C C+	1
25	SP114G-80-11-SC	SEAT,114/214,DG,SEAL,SILC CARB C C+	1
	<i>SP114G-80-11TC</i>	<i>SEAT,114,DG,SEAL,TUNG CARB C C+</i>	1
	<i>SP114G-80-11CER</i>	<i>SEAT,114,DG,SEAL,CERAMIC C C+</i>	1
26	SP114G-80-12G	GASKET,114/214,DG,THN,PTFE C C+	1
27	SP114G-17-316L	RING,114,GLAND,DG C C+	1
28	SC1110H-SS	CAPSCRW,BH,1/4-20X1,18-8SS BUTTON HD	4
29	LWA-1100-SS	WASHER,LOCK,1/4,18-8SS	4

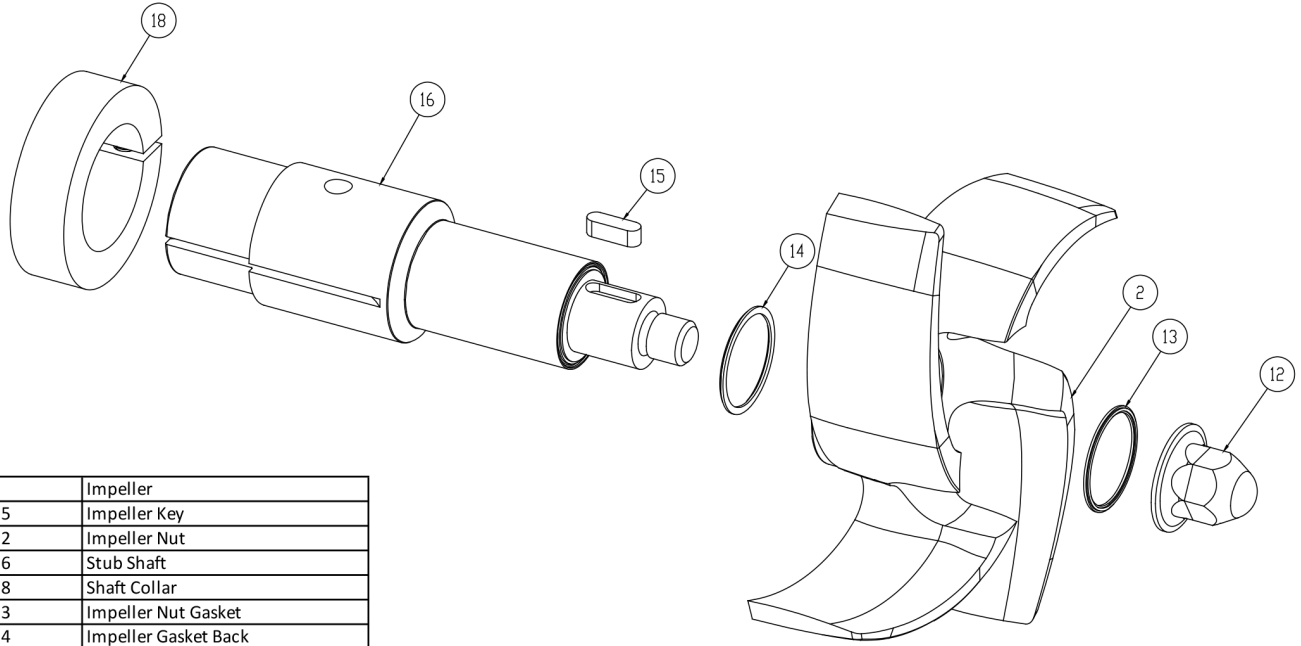


3	Casing Gasket
6	Seal Carbon
7	Seal O-Ring
8	Cup D Seal
9	Spring D Seal
12	Impeller Pin
24	PTFE Gasket
25	Silicon Carbide Seat
26	PTFE Gasket

**Seal Kit DG**

*Optional Items Shown in ITALICS*

Ref #	Component Item No.	Description	Qty Per
1	<b>KITDG-C114-B</b>	<b>KIT,114,DG,SEAL,BUNA C</b>	<b>1</b>
	<i>KITDG-C114-E</i>	<i>KIT,114,DG SEAL,EPDM C</i>	<i>1</i>
	<i>KITDG-C114-S</i>	<i>KIT,114,DG,SEAL,VIT C</i>	<i>1</i>

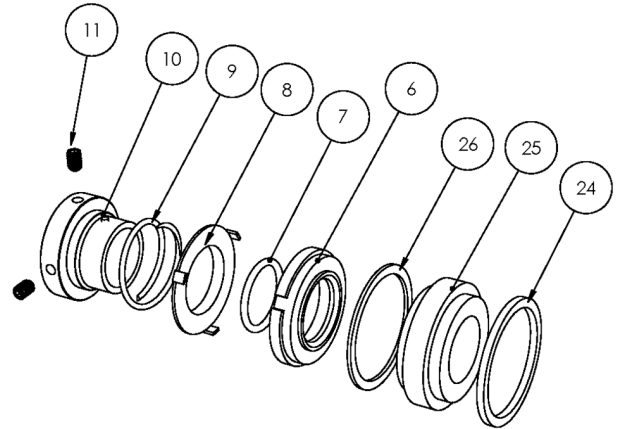
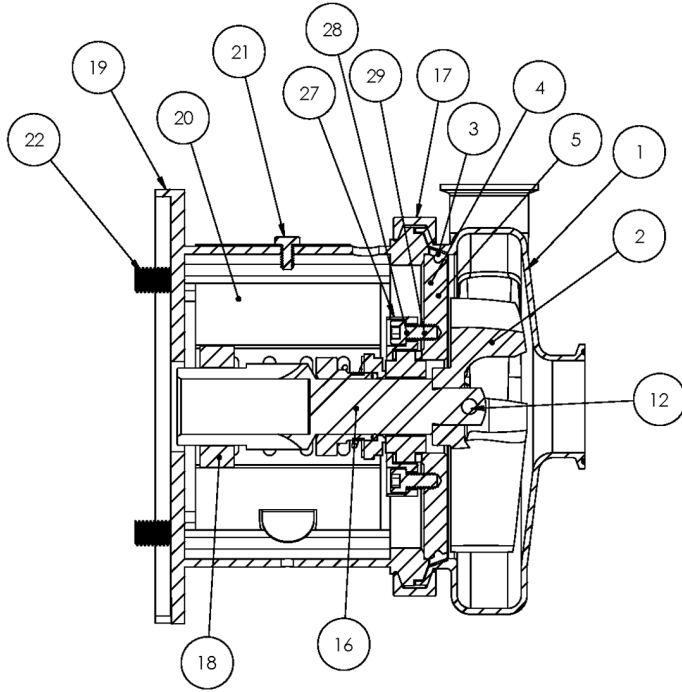


2	Impeller
15	Impeller Key
12	Impeller Nut
16	Stub Shaft
18	Shaft Collar
13	Impeller Nut Gasket
14	Impeller Gasket Back

**AC+ Conversion Kit**

*Optional Items Shown in ITALICS*

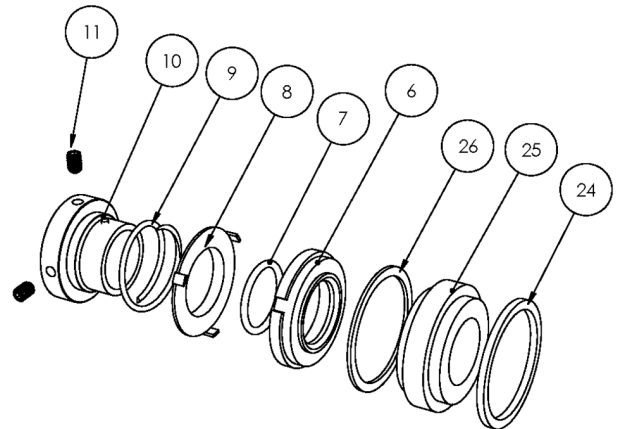
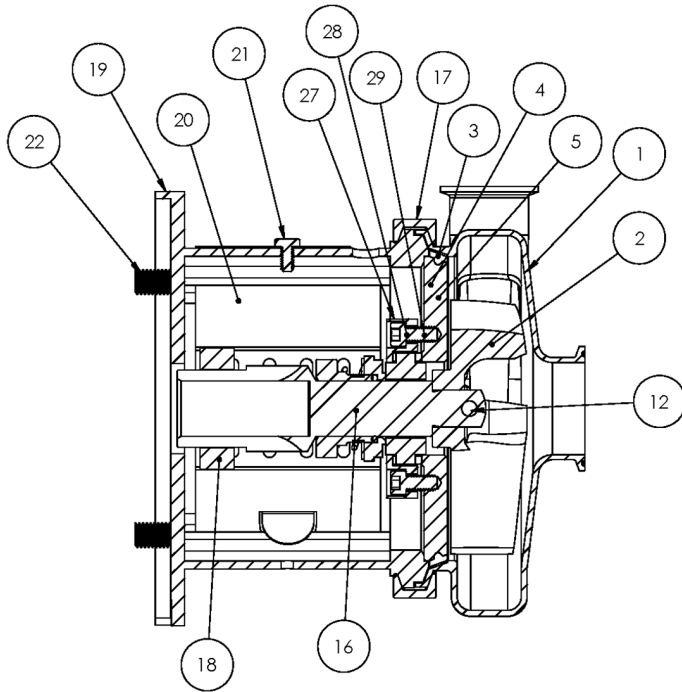
Ref #	Component Item No.	Description	Qty Per
1	<b>C+KIT-114/14</b>	<b>KIT,114,140TC,C+CONVERT,BUNA C</b>	<b>1</b>
	<i>C+KIT-114/14-E</i>	<i>KIT,114,140TC,C+CONVERT,EPDM C</i>	<i>1</i>
	<i>C+KIT-114/14-V</i>	<i>KIT,114,140TC,C+CONVRT,VIT C</i>	<i>1</i>



**Exploded View**

*Optional Items Shown in ITALICS*

Ref #	Component Item No.	Description	Qty Per
1	<b>S214M-01C-E</b>	<b>CASING,2X1-1/2,TRI-CLMP C214/C+214</b>	1
	<i>S214T-01C-E</i>	<i>CASING,2X1-1/2,BVL SEAT C214/C+214</i>	1
	<i>S214MI-01C-E</i>	<i>CASING,2X1-1/2,CLMP GLASS BEAD</i>	1
	<i>S214S-01C-E</i>	<i>CASING,2X1-1/2,NPT C214/C+214</i>	1
	<i>S214F-01D-E</i>	<i>CASING,2X1-1/2,FLNGD C214/C+214</i>	1
2	<b>S114-02C-316L</b>	<b>IMPELLER,114/214 C UNIVERSAL</b>	1
3	<b>S114-90A-U</b>	<b>GASKET,114,CASING,BUNA C C+</b>	1
	<i>S114-90A-E</i>	<i>GASKET,114,CASING,EPDM C C+</i>	1
	<i>S114-90A-V</i>	<i>GASKET,114,CASING,VIT C C+</i>	1
4	<b>SP114G-11-316L</b>	<b>BACKPLATE,DG,114 C C+</b>	1
5	<b>216D-11-1-S</b>	<b>PIN,BACKPLT,114/216/328 C C+</b>	2
6	<b>114E-80-1A</b>	<b>SEAL,114/214,CARBON C C+</b>	1
	<i>114E-80-1SC</i>	<i>SEAL,114,RTRY,SILC CARB C C+</i>	1
7	<b>60C-3-34A-U</b>	<b>O-RING,114/214,SEAL,BUNA C C+</b>	1
	<i>60C-3-34A-E</i>	<i>O-RING,114,SEAL,EPDM C C+</i>	1
	<i>60C-3-34A-V</i>	<i>O-RING,114,SEAL,FDA/3-A,VIT C C+</i>	1
8	<b>114D-80-3P</b>	<b>CUP,D,114/214/+114/214 C C+</b>	1
9	<b>114D-80-4</b>	<b>SPRING,D,114/214 C C+</b>	1
10	<b>SP114D-23P-316L</b>	<b>COLLAR,D,+114,DRIVE C+</b>	1
11	<b>SC1105A-SS</b>	<b>SCREW,SET,DRV COLLR,1/4-20X3/8 -SS</b>	2
12	<b>114D-24B-316L</b>	<b>RETAINER,IMPLR</b>	1
16	<b>C114E-14T-06</b>	<b>STUBSHAFT,140TC,UNIVRSL C114</b>	1
17	<b>S114-75AR-S</b>	<b>CLAMP,114,CASING C C+</b>	1
18	<b>SX18000014</b>	<b>COLLAR,180TC,SHAFT LC</b>	1
19	<b>114E-18T-71C-SS</b>	<b>ADAPTER,180TC FRAME,SS C114/C+114</b>	1
20	<b>C114-56T-131A-S</b>	<b>GUARD,SEAL,114/214,SS C C+ CB+ IC+ 056C</b>	1
21	<b>GX5079600</b>	<b>CAPSCRW,HX,1/4-20X1/2,18-8SS HX HD</b>	1

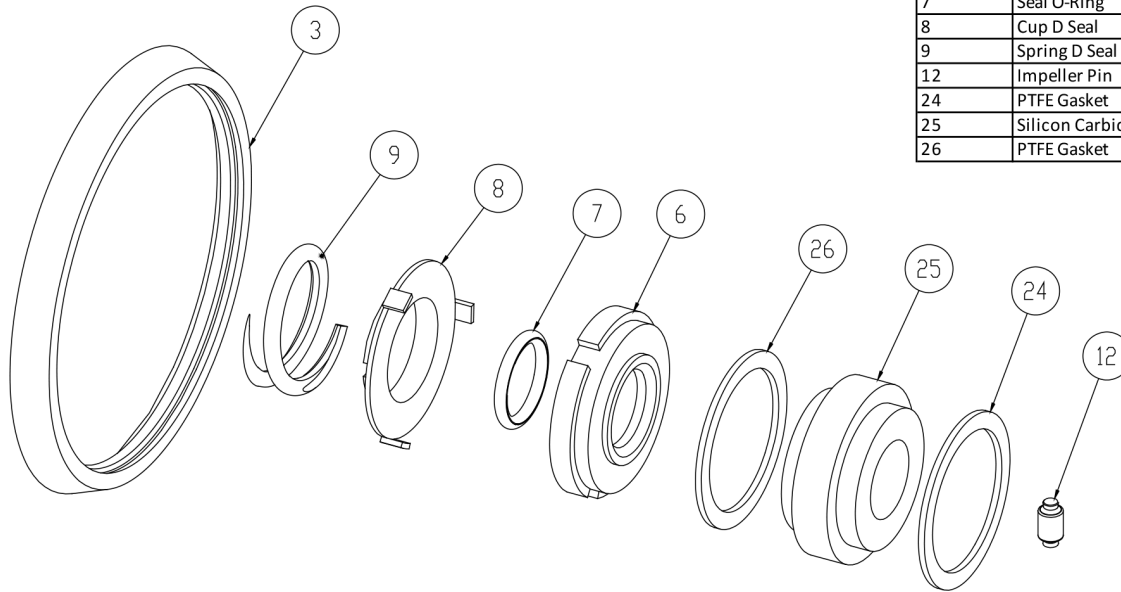


**Exploded View**

*Optional Items Shown in ITALICS*

Ref #	Component Item No.	Description	Qty Per
22	SC1710H-SS	CAPSCRW,HX,1/2-13X1,18-8SS HX HD	4
24	SP114G-80-12G	GASKET,114/214,DG,THN,PTFE C C+	1
25	SP114G-80-11-SC	SEAT,114/214,DG,SEAL,SILC CARB C C+	1
	<i>SP114G-80-11TC</i>	<i>SEAT,114,DG,SEAL,TUNG CARB C C+</i>	1
	<i>SP114G-80-11CER</i>	<i>SEAT,114,DG,SEAL,CERAMIC C C+</i>	1
26	SP114G-80-12G	GASKET,114/214,DG,THN,PTFE C C+	1
27	SP114G-17-316L	RING,114,GLAND,DG C C+	1
28	SC1110H-SS	CAPSCRW,BH,1/4-20X1,18-8SS BUTTON HD	4
29	LWA-1100-SS	WASHER,LOCK,1/4,18-8SS	4



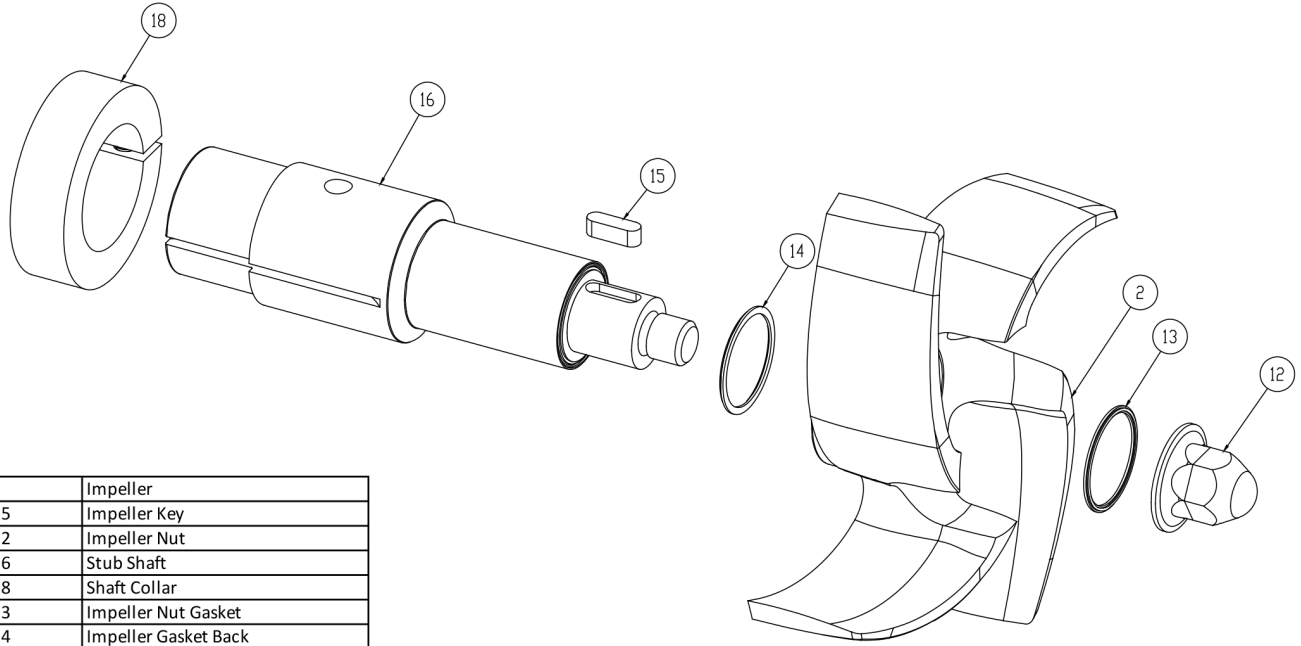


3	Casing Gasket
6	Seal Carbon
7	Seal O-Ring
8	Cup D Seal
9	Spring D Seal
12	Impeller Pin
24	PTFE Gasket
25	Silicon Carbide Seat
26	PTFE Gasket

**Seal Kit DG**

*Optional Items Shown in ITALICS*

Ref #	Component Item No.	Description	Qty Per
1	<b>KITDG-C114-B</b>	<b>KIT,114,DG,SEAL,BUNA C</b>	<b>1</b>
	<i>KITDG-C114-E</i>	<i>KIT,114,DG SEAL,EPDM C</i>	<i>1</i>
	<i>KITDG-C114-S</i>	<i>KIT,114,DG,SEAL,VIT C</i>	<i>1</i>

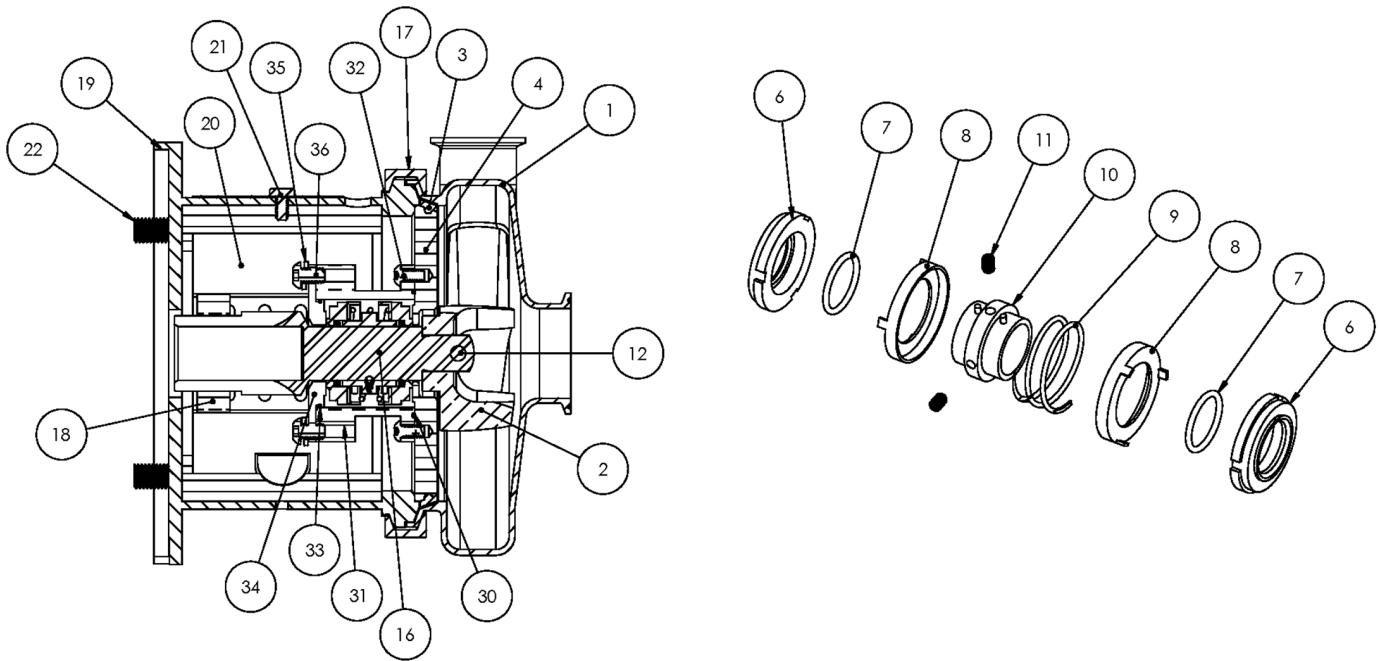


2	Impeller
15	Impeller Key
12	Impeller Nut
16	Stub Shaft
18	Shaft Collar
13	Impeller Nut Gasket
14	Impeller Gasket Back

**AC+ Conversion Kit**

*Optional Items Shown in ITALICS*

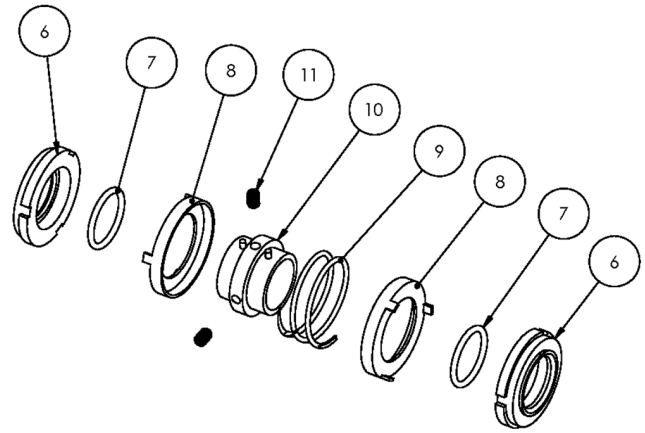
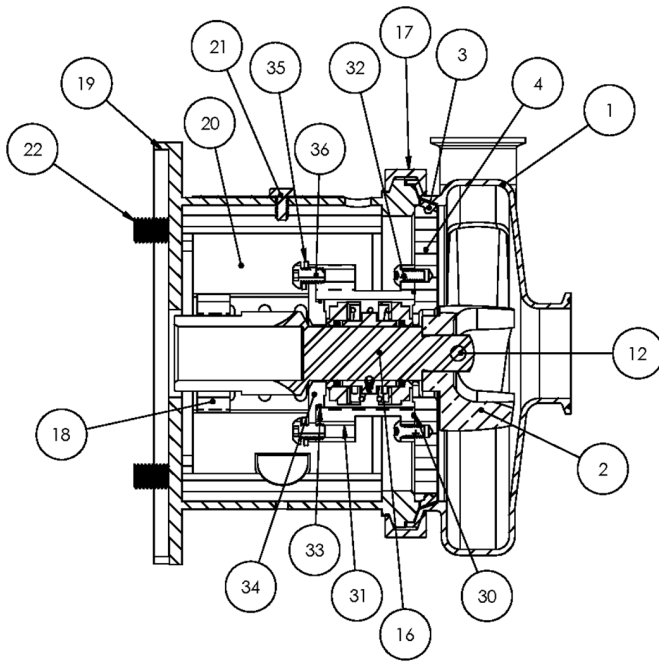
Ref #	Component Item No.	Description	Qty Per
1	<b>C+KIT-114/18</b>	<b>KIT,114,180TC,C+CONVRT,BUNA C</b>	<b>1</b>
	<i>C+KIT-114/18-E</i>	<i>KIT,114,180TC,C+CONVRT,EPDM C</i>	<i>1</i>
	<i>C+KIT-114/18-V</i>	<i>KIT,114,180TC,C+CONVRT,VIT C</i>	<i>1</i>



**Exploded View**

*Optional Items Shown in ITALICS*

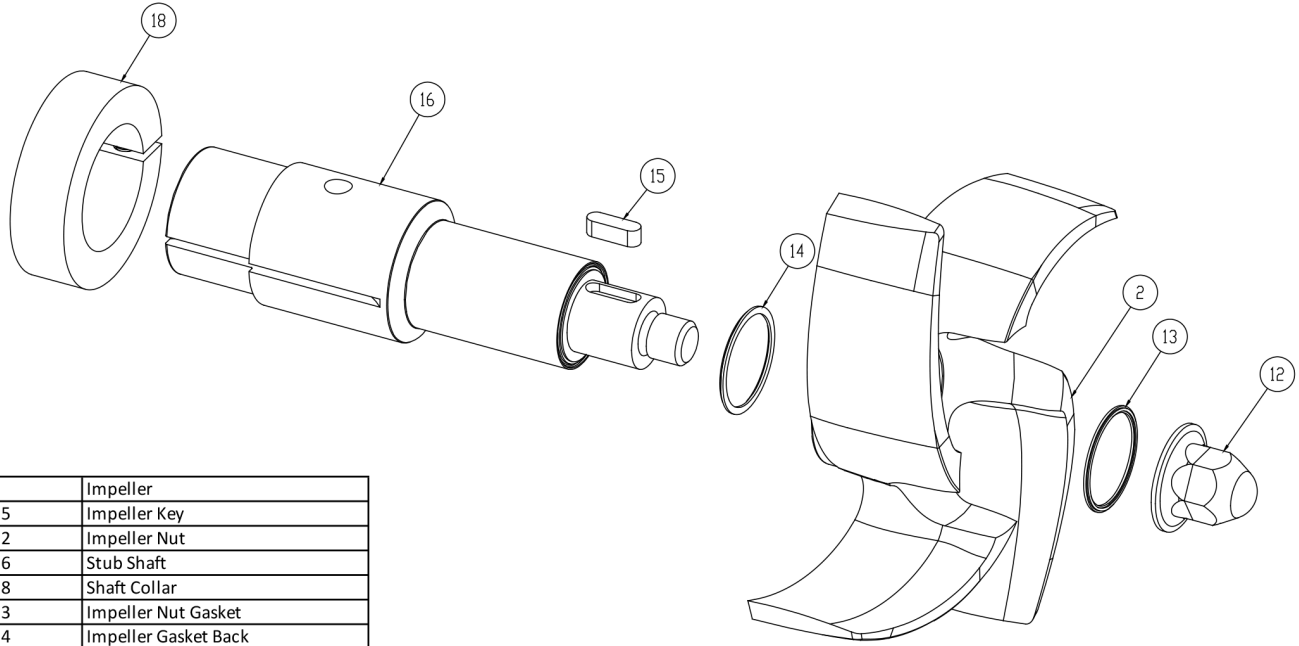
Ref #	Component Item No.	Description	Qty Per
1	<b>S214M-01C-E</b>	<b>CASING,2X1-1/2,TRI-CLMP C214/C+214</b>	1
	<i>S214T-01C-E</i>	<i>CASING,2X1-1/2,BVL SEAT C214/C+214</i>	1
	<i>S214MI-01C-E</i>	<i>CASING,2X1-1/2,CLMP GLASS BEAD</i>	1
	<i>S214S-01C-E</i>	<i>CASING,2X1-1/2,NPT C214/C+214</i>	1
	<i>S214F-01D-E</i>	<i>CASING,2X1-1/2,FLNGD C214/C+214</i>	1
2	<b>S114-02C-316L</b>	<b>IMPELLER,114/214 C UNIVERSAL</b>	1
3	<b>S114-90A-U</b>	<b>GASKET,114,CASING,BUNA C C+</b>	1
	<i>S114-90A-E</i>	<i>GASKET,114,CASING,EPDM C C+</i>	1
	<i>S114-90A-V</i>	<i>GASKET,114,CASING,VIT C C+</i>	1
4	<b>114E-11B-316</b>	<b>BACKPLATE,E,114 C C+</b>	1
6	<b>114E-80-1A</b>	<b>SEAL,114/214,CARBON C C+</b>	2
7	<b>60C-3-34A-U</b>	<b>O-RING,114/214,SEAL,BUNA C C+</b>	2
	<i>60C-3-34A-E</i>	<i>O-RING,114,SEAL,EPDM C C+</i>	2
	<i>60C-3-34A-V</i>	<i>O-RING,114,SEAL,FDA/3-A,VIT C C+</i>	2
8	<b>114E-80-3P</b>	<b>CUP,E,114/214,+114/214 C C+</b>	2
9	<b>114E-80-4A</b>	<b>SPRING,E,114/214 C C+</b>	1
10	<b>114E-23-316L</b>	<b>COLLAR,E,114/+114,DRIVE C C+</b>	1
11	<b>SC1103A-SS</b>	<b>SCREW,SET,1/4-20X1/4 E BALANCED</b>	2
12	<b>114D-24B-316L</b>	<b>RETAINER,IMPLR</b>	1
16	<b>C114E56T-06</b>	<b>STUBSHAFT,56C,UNIVRSL C114</b>	1
17	<b>S114-75AR-S</b>	<b>CLAMP,114,CASING C C+</b>	1
18	<b>SX18000013</b>	<b>COLLAR,56C/140TC,SHAFT L SEE ITEM NOTES</b>	1
19	<b>114E56T-71C-SS</b>	<b>ADAPTER,56C-140TC FRAME,SS C114/C+114</b>	1
20	<b>C114-56T-131A-S</b>	<b>GUARD,SEAL,114/214,SS C C+ CB+ IC+ 056C</b>	1
21	<b>GX5079600</b>	<b>CAPSCRW,HX,1/4-20X1/2,18-8SS HX HD</b>	1
22	<b>GX5077100</b>	<b>CAPSCRW,HX,3/8-16X1,18-8SS HX HD</b>	4
30	<b>17-106-U</b>	<b>O-RING,114/214/+2116,BUNA C C+</b>	1



**Exploded View**

*Optional Items Shown in ITALICS*

Ref #	Component Item No.	Description	Qty Per
30	17-106-E	O-RING, 114/214/+2116, EPDM C C+	1
	17-106-V	O-RING, 114/214/+2116, VITON C C+	1
31	114E-83B-316	STUFFING BOX, E, 114 C C+	1
32	SC904E-SS	CAPSCRW, SH, 10-24X1/2, 18-8SS SCKT HD	4
33	17-275-U	O-RING, 216, FOLLOWER, BUNA C C+	1
	17-275-E	O-RING, 216, FOLLOWER, EPDM C	1
	17-275-V	O-RING, 216, FOLLOWER, VIT C	1
34	114E-17-316	FOLLOWER, E, 114/+114 C C+	1
35	LWA-1100-SS	WASHER, LOCK, 1/4, 18-8SS	4
36	SC1106E-SS	CAPSCRW, BH, 1/4-20X1/2, 18-8SS BUTTON HD	4

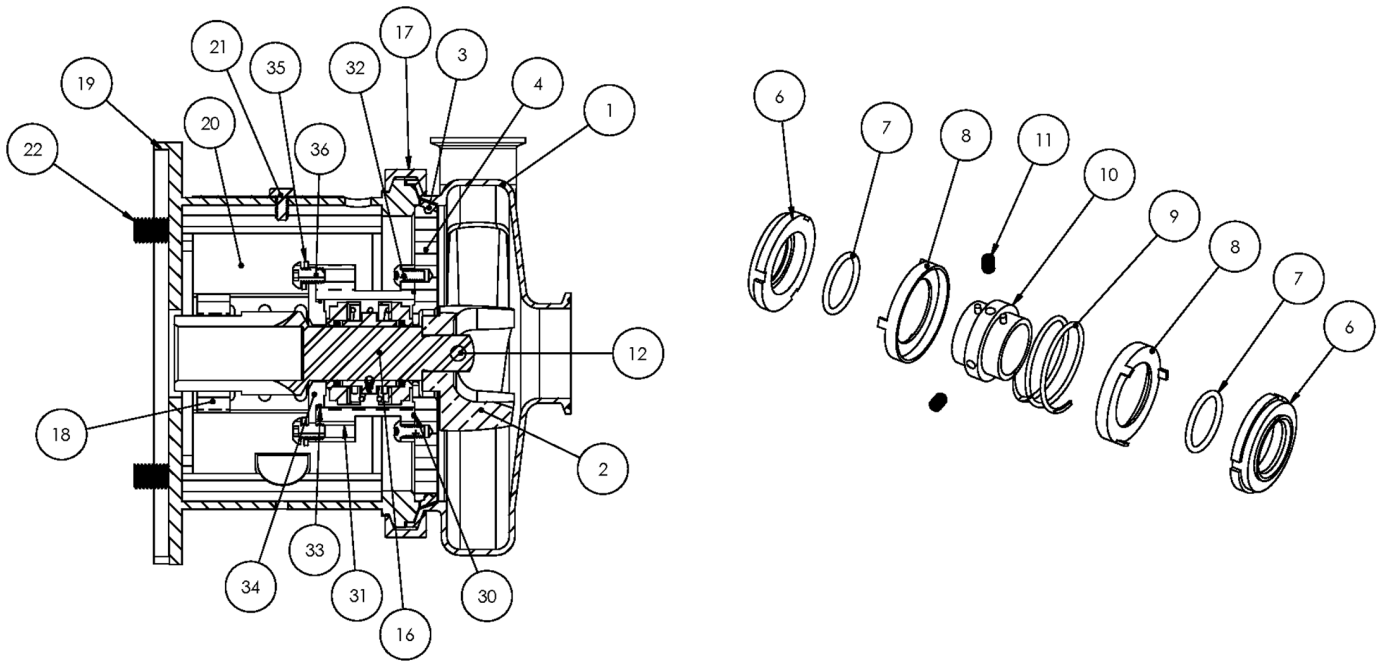


2	Impeller
15	Impeller Key
12	Impeller Nut
16	Stub Shaft
18	Shaft Collar
13	Impeller Nut Gasket
14	Impeller Gasket Back

**AC+ Conversion Kit**

*Optional Items Shown in ITALICS*

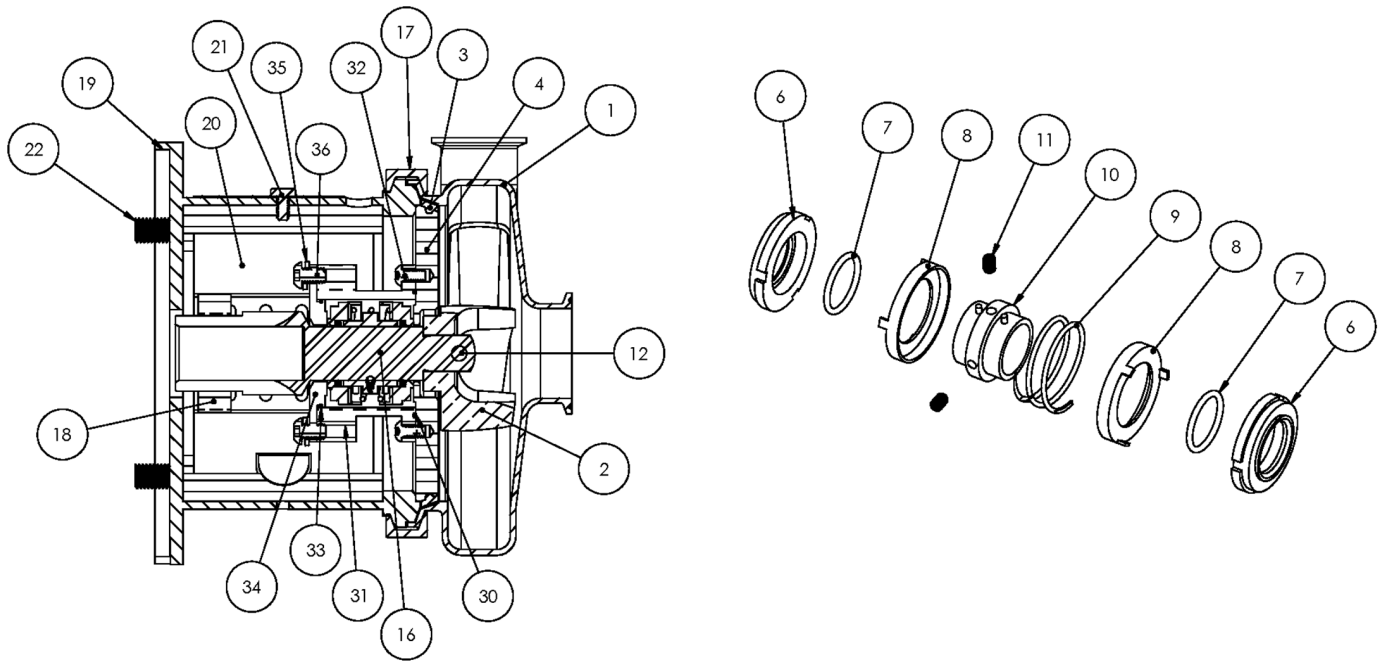
Ref #	Component Item No.	Description	Qty Per
1	<b>C+KIT-114/56</b>	<b>KIT,114,56TC,C+CONVRT,BUNA C</b>	<b>1</b>
	<i>C+KIT-114/56-E</i>	<i>KIT,114,56TC,C+CONVRT,EPDM C</i>	<i>1</i>
	<i>C+KIT-114/56-V</i>	<i>KIT,114,56TC,C+CONVRT,VIT C</i>	<i>1</i>



**Exploded View**

*Optional Items Shown in ITALICS*

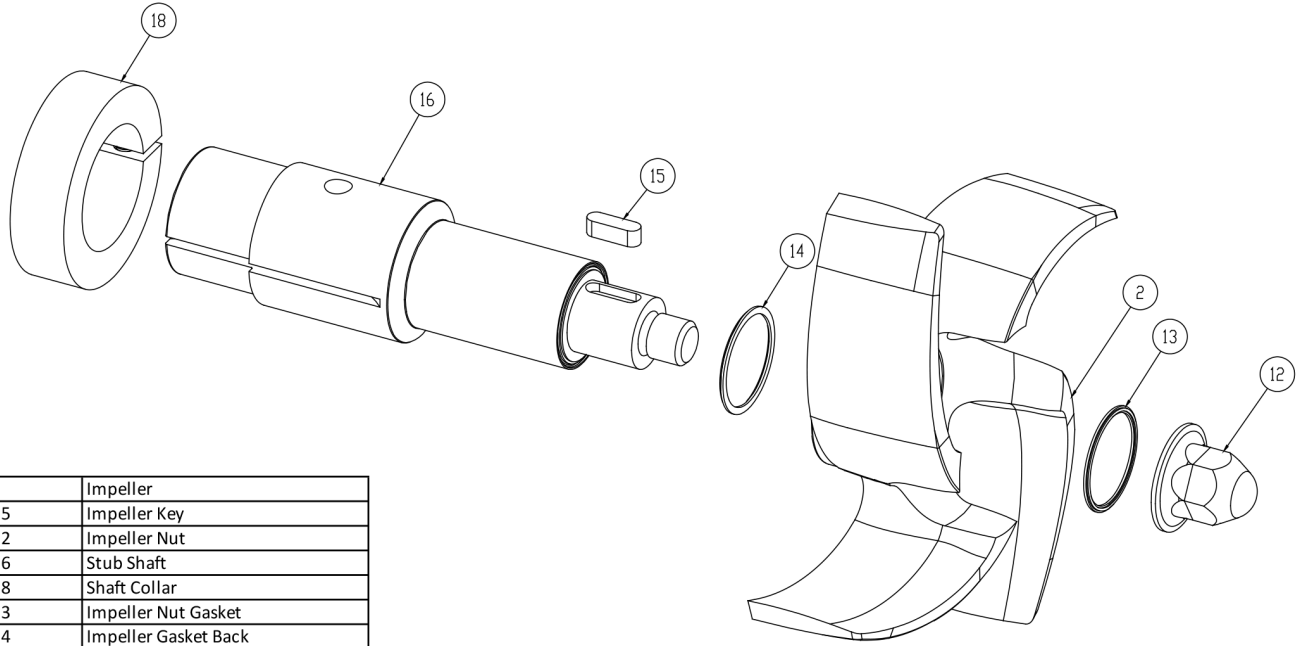
Ref #	Component Item No.	Description	Qty Per
1	<b>S214M-01C-E</b>	<b>CASING,2X1-1/2,TRI-CLMP C214/C+214</b>	1
	<i>S214T-01C-E</i>	<i>CASING,2X1-1/2,BVL SEAT C214/C+214</i>	1
	<i>S214MI-01C-E</i>	<i>CASING,2X1-1/2,CLMP GLASS BEAD</i>	1
	<i>S214S-01C-E</i>	<i>CASING,2X1-1/2,NPT C214/C+214</i>	1
	<i>S214F-01D-E</i>	<i>CASING,2X1-1/2,FLNGD C214/C+214</i>	1
2	<b>S114-02C-316L</b>	<b>IMPELLER,114/214 C UNIVERSAL</b>	1
3	<b>S114-90A-U</b>	<b>GASKET,114,CASING,BUNA C C+</b>	1
	<i>S114-90A-E</i>	<i>GASKET,114,CASING,EPDM C C+</i>	1
	<i>S114-90A-V</i>	<i>GASKET,114,CASING,VIT C C+</i>	1
4	<b>114E-11B-316</b>	<b>BACKPLATE,E,114 C C+</b>	1
6	<b>114E-80-1A</b>	<b>SEAL,114/214,CARBON C C+</b>	2
7	<b>60C-3-34A-U</b>	<b>O-RING,114/214,SEAL,BUNA C C+</b>	2
	<i>60C-3-34A-E</i>	<i>O-RING,114,SEAL,EPDM C C+</i>	2
	<i>60C-3-34A-V</i>	<i>O-RING,114,SEAL,FDA/3-A,VIT C C+</i>	2
8	<b>114E-80-3P</b>	<b>CUP,E,114/214,+114/214 C C+</b>	2
9	<b>114E-80-4A</b>	<b>SPRING,E,114/214 C C+</b>	1
10	<b>114E-23-316L</b>	<b>COLLAR,E,114/+114,DRIVE C C+</b>	1
11	<b>SC1103A-SS</b>	<b>SCREW,SET,1/4-20X1/4 E BALANCED</b>	2
12	<b>114D-24B-316L</b>	<b>RETAINER,IMPLR</b>	1
16	<b>C114E-14T-06</b>	<b>STUBSHAFT,140TC,UNIVRSL C114</b>	1
17	<b>S114-75AR-S</b>	<b>CLAMP,114,CASING C C+</b>	1
18	<b>SX18000013</b>	<b>COLLAR,56C/140TC,SHAFT L SEE ITEM NOTES</b>	1
19	<b>114E56T-71C-SS</b>	<b>ADAPTER,56C-140TC FRAME,SS C114/C+114</b>	1
20	<b>C114-56T-131A-S</b>	<b>GUARD,SEAL,114/214,SS C C+ CB+ IC+ 056C</b>	1
21	<b>GX5079600</b>	<b>CAPSCRW,HX,1/4-20X1/2,18-8SS HX HD</b>	1
22	<b>GX5077100</b>	<b>CAPSCRW,HX,3/8-16X1,18-8SS HX HD</b>	4
30	<b>17-106-U</b>	<b>O-RING,114/214/+2116,BUNA C C+</b>	1



**Exploded View**

*Optional Items Shown in ITALICS*

Ref #	Component Item No.	Description	Qty Per
30	17-106-E	O-RING, 114/214/+2116, EPDM C C+	1
	17-106-V	O-RING, 114/214/+2116, VITON C C+	1
31	114E-83B-316	STUFFING BOX, E, 114 C C+	1
32	SC904E-SS	CAPSCRW, SH, 10-24X1/2, 18-8SS SCKT HD	4
33	17-275-U	O-RING, 216, FOLLOWER, BUNA C C+	1
	17-275-E	O-RING, 216, FOLLOWER, EPDM C	1
	17-275-V	O-RING, 216, FOLLOWER, VIT C	1
34	114E-17-316	FOLLOWER, E, 114/+114 C C+	1
35	LWA-1100-SS	WASHER, LOCK, 1/4, 18-8SS	4
36	SC1106E-SS	CAPSCRW, BH, 1/4-20X1/2, 18-8SS BUTTON HD	4



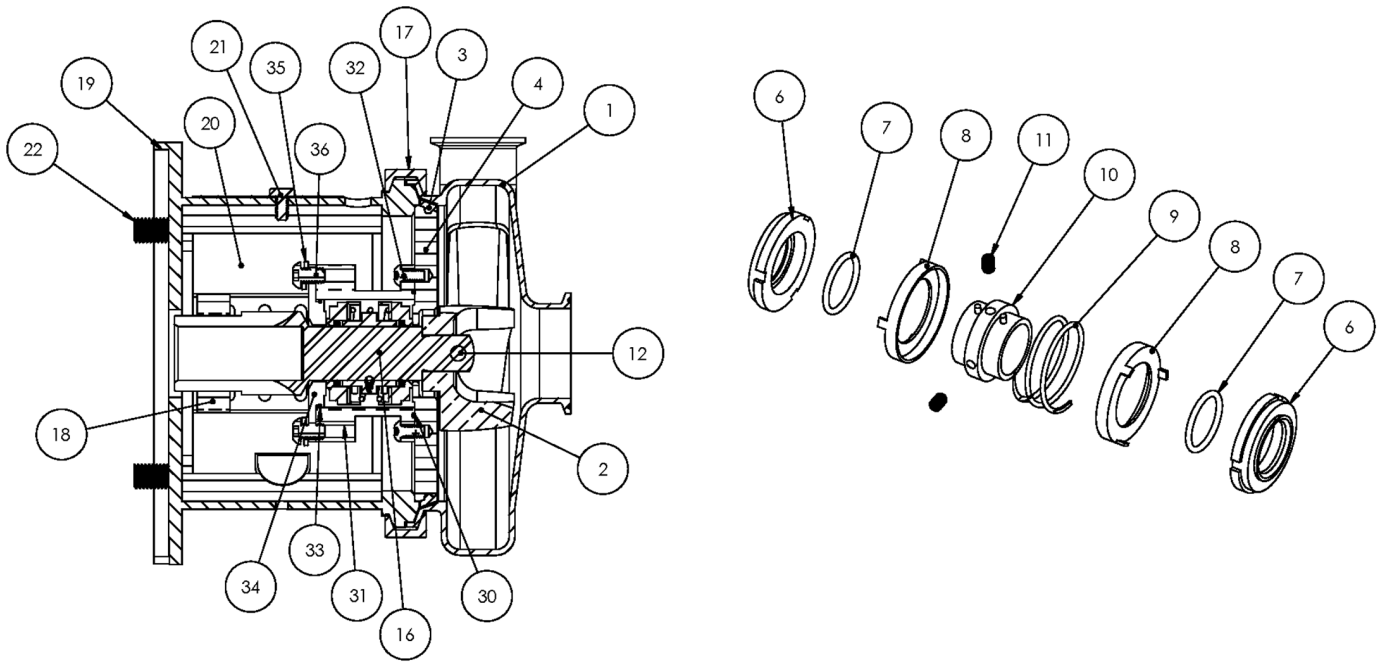
2	Impeller
15	Impeller Key
12	Impeller Nut
16	Stub Shaft
18	Shaft Collar
13	Impeller Nut Gasket
14	Impeller Gasket Back

**AC+ Conversion Kit**

*Optional Items Shown in ITALICS*

Ref #	Component Item No.	Description	Qty Per
1	<b>C+KIT-114/14</b>	<b>KIT,114,140TC,C+CONVERT,BUNA C</b>	<b>1</b>
	<i>C+KIT-114/14-E</i>	<i>KIT,114,140TC,C+CONVERT,EPDM C</i>	<i>1</i>
	<i>C+KIT-114/14-V</i>	<i>KIT,114,140TC,C+CONVRT,VIT C</i>	<i>1</i>

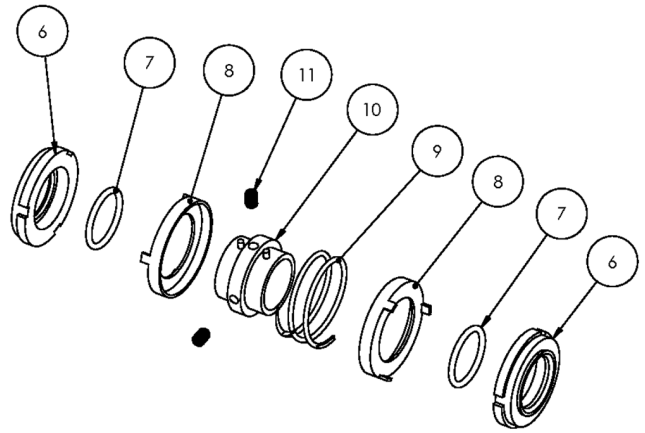
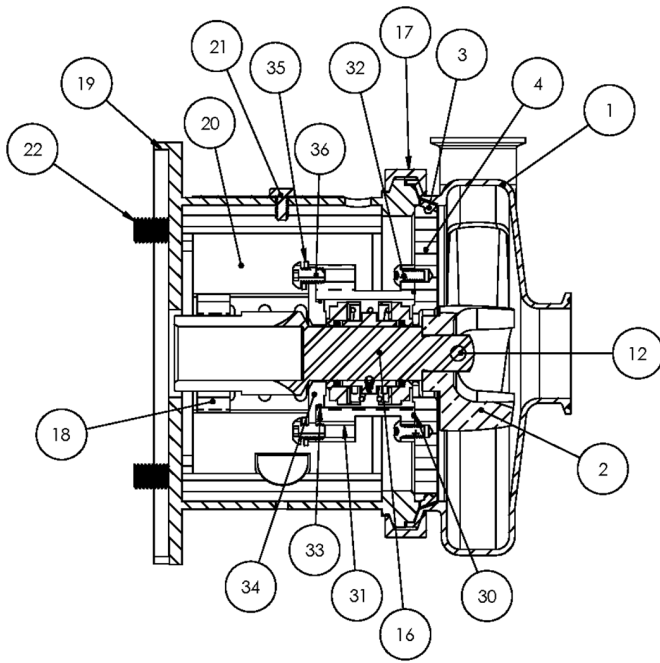




**Exploded View**

*Optional Items Shown in ITALICS*

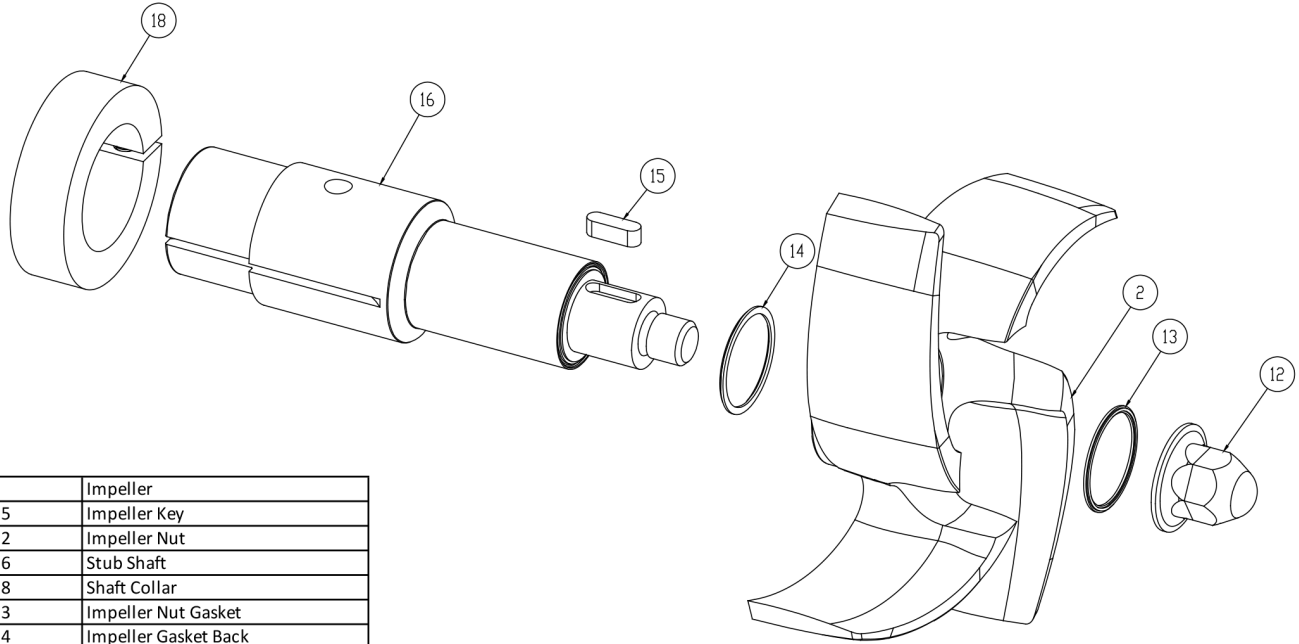
Ref #	Component Item No.	Description	Qty Per
1	<b>S214M-01C-E</b>	<b>CASING,2X1-1/2,TRI-CLMP C214/C+214</b>	1
	<i>S214T-01C-E</i>	<i>CASING,2X1-1/2,BVL SEAT C214/C+214</i>	1
	<i>S214MI-01C-E</i>	<i>CASING,2X1-1/2,CLMP GLASS BEAD</i>	1
	<i>S214S-01C-E</i>	<i>CASING,2X1-1/2,NPT C214/C+214</i>	1
	<i>S214F-01D-E</i>	<i>CASING,2X1-1/2,FLNGD C214/C+214</i>	1
2	<b>S114-02C-316L</b>	<b>IMPELLER,114/214 C UNIVERSAL</b>	1
3	<b>S114-90A-U</b>	<b>GASKET,114,CASING,BUNA C C+</b>	1
	<i>S114-90A-E</i>	<i>GASKET,114,CASING,EPDM C C+</i>	1
	<i>S114-90A-V</i>	<i>GASKET,114,CASING,VIT C C+</i>	1
4	<b>114E-11B-316</b>	<b>BACKPLATE,E,114 C C+</b>	1
6	<b>114E-80-1A</b>	<b>SEAL,114/214,CARBON C C+</b>	2
7	<b>60C-3-34A-U</b>	<b>O-RING,114/214,SEAL,BUNA C C+</b>	2
	<i>60C-3-34A-E</i>	<i>O-RING,114,SEAL,EPDM C C+</i>	2
	<i>60C-3-34A-V</i>	<i>O-RING,114,SEAL,FDA/3-A,VIT C C+</i>	2
8	<b>114E-80-3P</b>	<b>CUP,E,114/214,+114/214 C C+</b>	2
9	<b>114E-80-4A</b>	<b>SPRING,E,114/214 C C+</b>	1
10	<b>114E-23-316L</b>	<b>COLLAR,E,114/+114,DRIVE C C+</b>	1
11	<b>SC1103A-SS</b>	<b>SCREW,SET,1/4-20X1/4 E BALANCED</b>	2
12	<b>114D-24B-316L</b>	<b>RETAINER,IMPLR</b>	1
16	<b>C114E-14T-06</b>	<b>STUBSHAFT,140TC,UNIVRSL C114</b>	1
17	<b>S114-75AR-S</b>	<b>CLAMP,114,CASING C C+</b>	1
18	<b>SX18000014</b>	<b>COLLAR,180TC,SHAFT LC</b>	1
19	<b>114E-18T-71C-SS</b>	<b>ADAPTER,180TC FRAME,SS C114/C+114</b>	1
20	<b>C114-56T-131A-S</b>	<b>GUARD,SEAL,114/214,SS C C+ CB+ IC+ 056C</b>	1
21	<b>GX5079600</b>	<b>CAPSCRW,HX,1/4-20X1/2,18-8SS HX HD</b>	1
22	<b>SC1710H-SS</b>	<b>CAPSCRW,HX,1/2-13X1,18-8SS HX HD</b>	4
30	<b>17-106-U</b>	<b>O-RING,114/214/+2116,BUNA C C+</b>	1



**Exploded View**

*Optional Items Shown in ITALICS*

Ref #	Component Item No.	Description	Qty Per
30	17-106-E	O-RING, 114/214/+2116, EPDM C C+	1
	17-106-V	O-RING, 114/214/+2116, VITON C C+	1
31	114E-83B-316	STUFFING BOX, E, 114 C C+	1
32	SC904E-SS	CAPSCRW, SH, 10-24X1/2, 18-8SS SCKT HD	4
33	17-275-U	O-RING, 216, FOLLOWER, BUNA C C+	1
	17-275-E	O-RING, 216, FOLLOWER, EPDM C	1
	17-275-V	O-RING, 216, FOLLOWER, VIT C	1
34	114E-17-316	FOLLOWER, E, 114/+114 C C+	1
35	LWA-1100-SS	WASHER, LOCK, 1/4, 18-8SS	4
36	SC1106E-SS	CAPSCRW, BH, 1/4-20X1/2, 18-8SS BUTTON HD	4

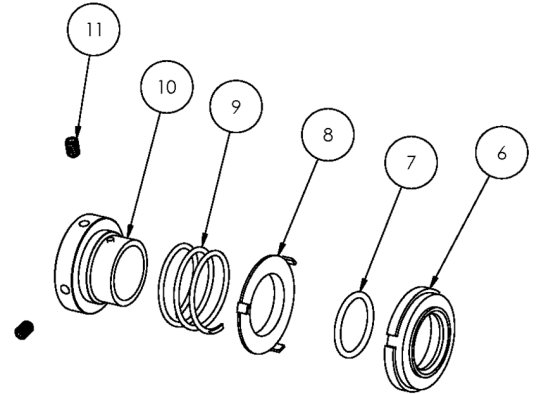
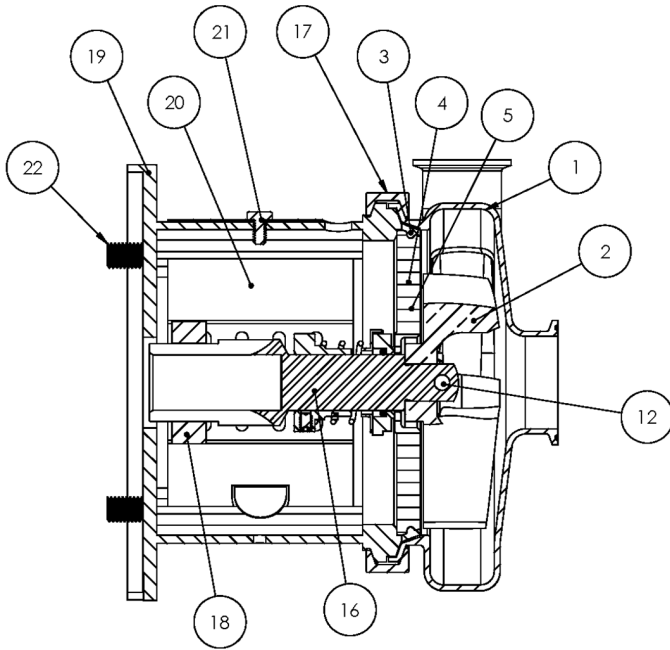


2	Impeller
15	Impeller Key
12	Impeller Nut
16	Stub Shaft
18	Shaft Collar
13	Impeller Nut Gasket
14	Impeller Gasket Back

**AC+ Conversion Kit**

*Optional Items Shown in ITALICS*

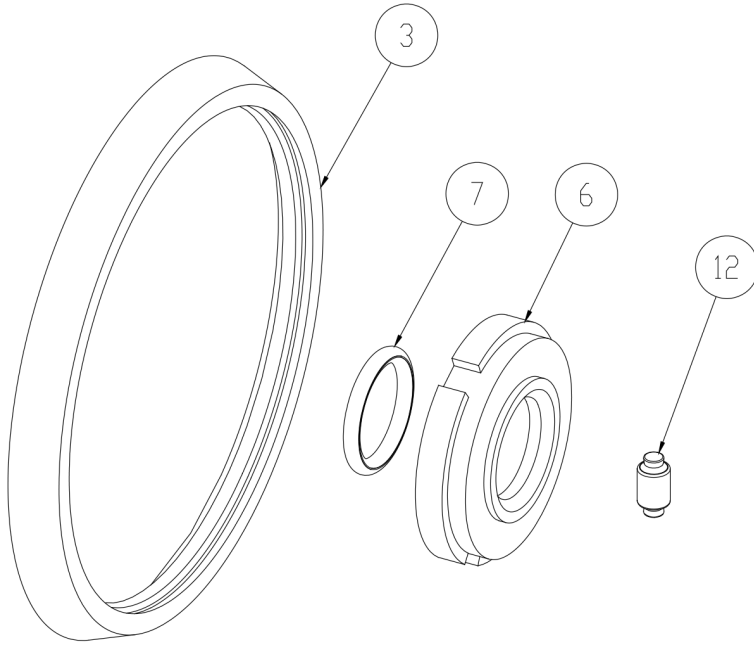
Ref #	Component Item No.	Description	Qty Per
1	<b>C+KIT-114/18</b>	<b>KIT,114,180TC,C+CONVRT,BUNA C</b>	<b>1</b>
	<i>C+KIT-114/18-E</i>	<i>KIT,114,180TC,C+CONVRT,EPDM C</i>	<i>1</i>
	<i>C+KIT-114/18-V</i>	<i>KIT,114,180TC,C+CONVRT,VIT C</i>	<i>1</i>



**Exploded View**

*Optional Items Shown in ITALICS*

Ref #	Component Item No.	Description	Qty Per
1	<b>S216M-01C-316L</b>	<b>CASING,2X1-1/2,TRI-CLMP C216/C+216</b>	1
	<i>S216T-01C</i>	<i>CASING,2X1-1/2,BVL SEAT C216/C+216</i>	1
	<i>S216MI-01C</i>	<i>CASING,2X1-1/2,CLMP GLASS BEAD C216/C+216</i>	1
	<i>S216S-01C</i>	<i>CASING,2X1-1/2,NPT C216/C+216</i>	1
	<i>S216F-01D</i>	<i>CASING,2X1-1/2,FLNGD C216/C+216</i>	1
2	<b>S216-02C-316L</b>	<b>IMPELLER,216/316 C UNIVERSAL</b>	1
3	<b>S216-90A-U</b>	<b>GASKET,216,CASING,BUNA C C+</b>	1
	<i>S216-90A-E</i>	<i>GASKET,216,CASING,EPDM C C+</i>	1
	<i>S216-90A-V</i>	<i>GASKET,216,CASING,VIT C C+</i>	1
4	<b>216D-11-316</b>	<b>BACKPLATE,D,216 C C+</b>	1
5	<b>216D-11-1-S</b>	<b>PIN,BACKPLT,114/216/328 C C+</b>	2
6	<b>216E-80-1A</b>	<b>SEAL,216/316,+2116,CARBON +2116 C C+</b>	1
7	<b>01-1165-19-U</b>	<b>O-RING,216,SEAL,BUNA C</b>	1
	<i>01-1165-19-E</i>	<i>O-RING,216,SEAL,EPDM C</i>	1
	<i>01-1165-19-V</i>	<i>O-RING,216,SEAL,VITON C</i>	1
8	<b>216D-80-3P</b>	<b>CUP,D,216/316,+216/316/4329 C C+</b>	1
9	<b>216D-80-4</b>	<b>SPRING,D,216/316/+2116 C C+ DB</b>	1
10	<b>SP216D-23P-S</b>	<b>COLLAR,D,+216/+2116DRIVE C+ DB</b>	1
11	<b>SC1105A-SS</b>	<b>SCREW,SET,DRV COLLR,1/4-20X3/8 -SS</b>	2
12	<b>216D-24B-316L</b>	<b>RETAINER,IMPLR</b>	1
16	<b>CS216E56T-06</b>	<b>STUBSHAFT,56C,UNIVRSL C216</b>	1
17	<b>S216-75AR-S</b>	<b>CLAMP,216,CASING C C+</b>	1
18	<b>SX18000013</b>	<b>COLLAR,56C/140TC,SHAFT L SEE ITEM NOTES</b>	1
19	<b>216D56T-71C-SS</b>	<b>ADAPTER,56C-140TC,SS C216/C+216</b>	1
20	<b>C216-56T-131-S</b>	<b>GUARD,SEAL,216/316,SS C C+ CB+ IC+ 56C-140TC</b>	1
21	<b>GX5079600</b>	<b>CAPSCRW,HX,1/4-20X1/2,18-8SS HX HD</b>	1
22	<b>GX5077100</b>	<b>CAPSCRW,HX,3/8-16X1,18-8SS HX HD</b>	4

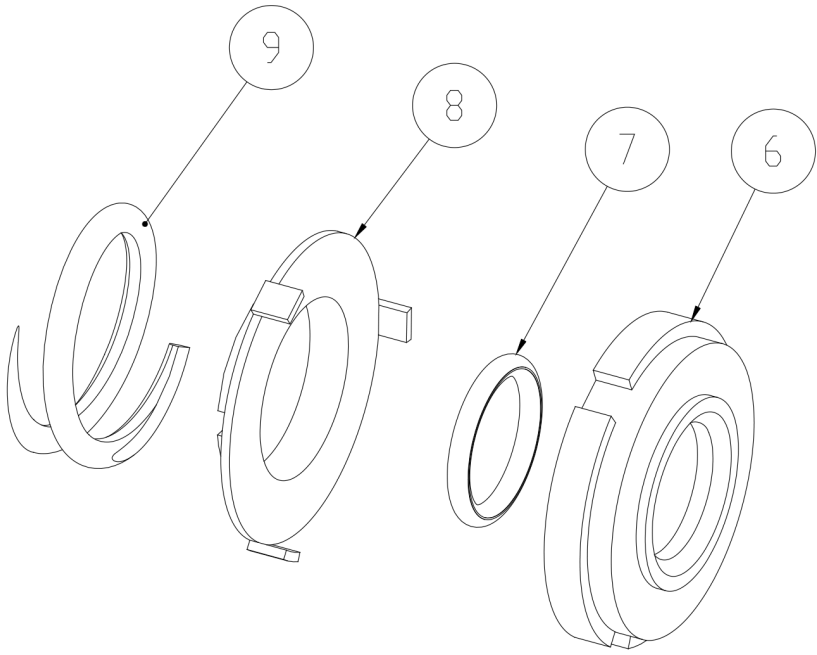


3	Casing Gasket
6	Seal Carbon
7	Seal O-Ring
12	Impeller Pin

**Seal Kit #1**

*Optional Items Shown in ITALICS*

Ref #	Component Item No.	Description	Qty Per
1	<b>KIT#1-C216-B</b>	<b>KIT,#1,216,SEAL,BUNA C</b>	<b>1</b>
	<i>KIT#1-C216-E</i>	<i>KIT,#1,SEAL,216,EPDM C</i>	<i>1</i>
	<i>KIT#1-C216-S</i>	<i>KIT,#1,SEAL,216,SFY,VIT C</i>	<i>1</i>

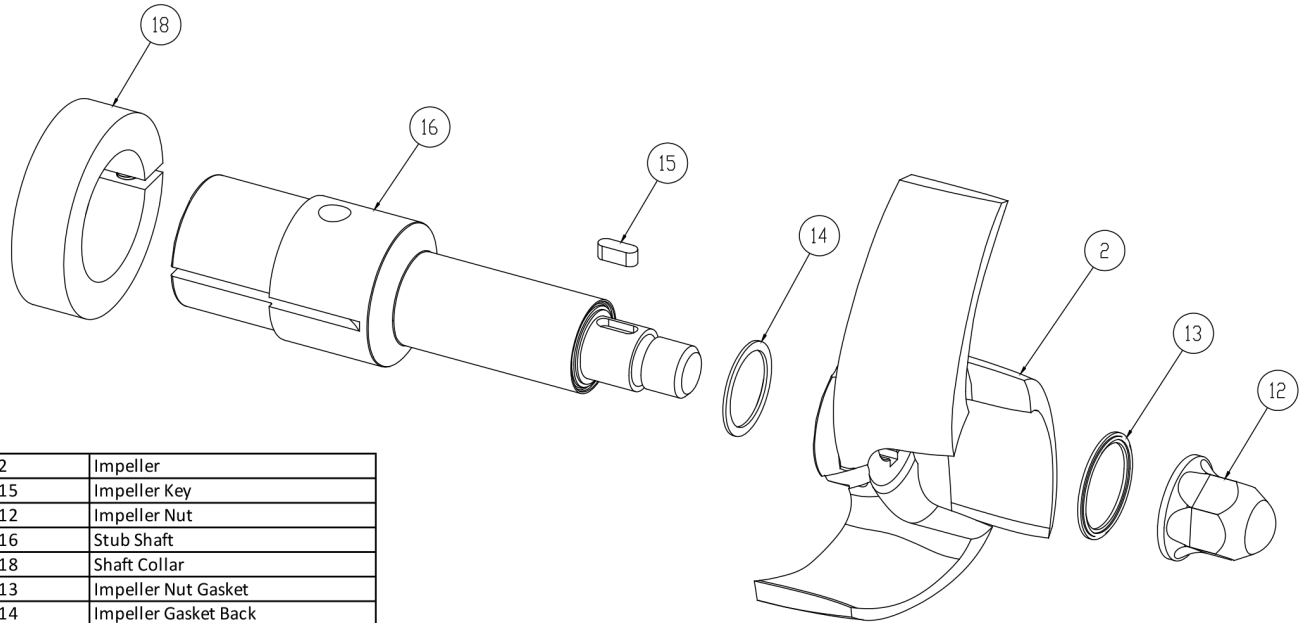


6	Seal Carbon
7	Seal O-Ring
8	Cup D Seal
9	Spring D Seal

**Seal Kit #3**

*Optional Items Shown in ITALICS*

Ref #	Component Item No.	Description	Qty Per
1	<b>KIT#3-C216-B</b>	<b>KIT,#3,216,SEAL,BUNA C</b>	<b>1</b>
	<i>KIT#3-C216-E</i>	<i>KIT,#3,SEAL,216,EPDM C</i>	<i>1</i>
	<i>KIT#3-C216-S</i>	<i>KIT,#3,SEAL,216,SFY,VIT C</i>	<i>1</i>

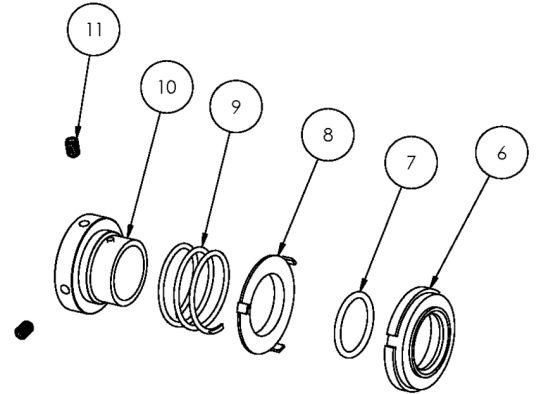
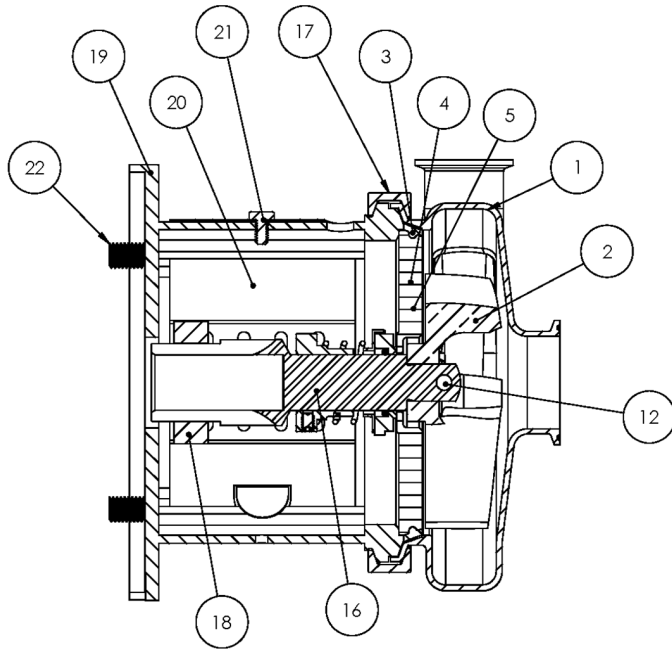


2	Impeller
15	Impeller Key
12	Impeller Nut
16	Stub Shaft
18	Shaft Collar
13	Impeller Nut Gasket
14	Impeller Gasket Back

**AC+ Conversion Kit**

*Optional Items Shown in ITALICS*

Ref #	Component Item No.	Description	Qty Per
1	<b>C+KIT-216/56</b>	<b>KIT,216,56TC,C+CONVRT,BUNA C</b>	<b>1</b>
	<i>C+KIT-216/56-E</i>	<i>KIT,216,56TC,C+CONVRT,EPDM C</i>	<i>1</i>
	<i>C+KIT-216/56-V</i>	<i>KIT,216,56TC,C+CONVRT,VIT CL VI C</i>	<i>1</i>

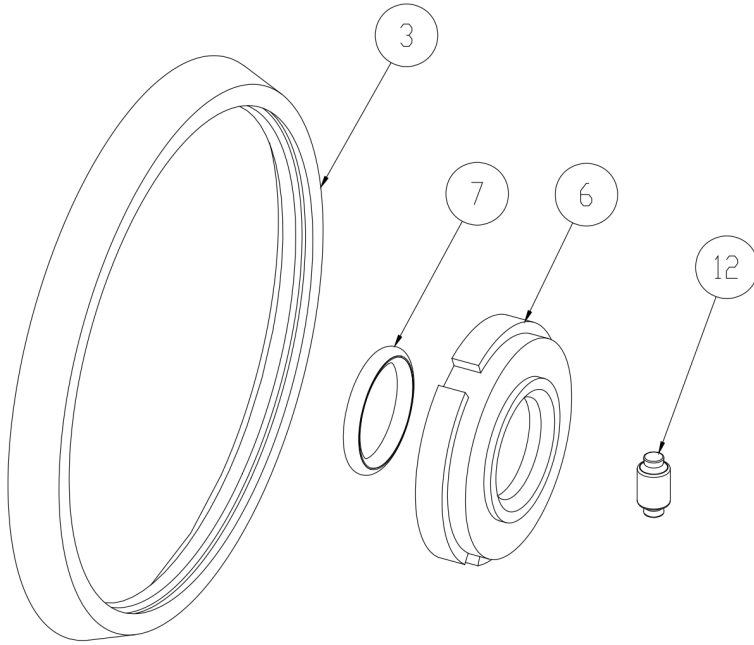


**Exploded View**

*Optional Items Shown in ITALICS*

Ref #	Component Item No.	Description	Qty Per
1	<b>S216M-01C-316L</b>	<b>CASING,2X1-1/2,TRI-CLMP C216/C+216</b>	1
	<i>S216T-01C</i>	<i>CASING,2X1-1/2,BVL SEAT C216/C+216</i>	1
	<i>S216MI-01C</i>	<i>CASING,2X1-1/2,CLMP GLASS BEAD C216/C+216</i>	1
	<i>S216S-01C</i>	<i>CASING,2X1-1/2,NPT C216/C+216</i>	1
	<i>S216F-01D</i>	<i>CASING,2X1-1/2,FLNGD C216/C+216</i>	1
2	<b>S216-02C-316L</b>	<b>IMPELLER,216/316 C UNIVERSAL</b>	1
3	<b>S216-90A-U</b>	<b>GASKET,216,CASING,BUNA C C+</b>	1
	<i>S216-90A-E</i>	<i>GASKET,216,CASING,EPDM C C+</i>	1
	<i>S216-90A-V</i>	<i>GASKET,216,CASING,VIT C C+</i>	1
4	<b>216D-11-316</b>	<b>BACKPLATE,D,216 C C+</b>	1
5	<b>216D-11-1-S</b>	<b>PIN,BACKPLT,114/216/328 C C+</b>	2
6	<b>216E-80-1A</b>	<b>SEAL,216/316,+2116,CARBON +2116 C C+</b>	1
7	<b>01-1165-19-U</b>	<b>O-RING,216,SEAL,BUNA C</b>	1
	<i>01-1165-19-E</i>	<i>O-RING,216,SEAL,EPDM C</i>	1
	<i>01-1165-19-V</i>	<i>O-RING,216,SEAL,VITON C</i>	1
8	<b>216D-80-3P</b>	<b>CUP,D,216/316,+216/316/4329 C C+</b>	1
9	<b>216D-80-4</b>	<b>SPRING,D,216/316/+2116 C C+ DB</b>	1
10	<b>SP216D-23P-S</b>	<b>COLLAR,D,+216/+2116DRIVE C+ DB</b>	1
11	<b>SC1105A-SS</b>	<b>SCREW,SET,DRV COLLR,1/4-20X3/8 -SS</b>	2
12	<b>216D-24B-316L</b>	<b>RETAINER,IMPLR</b>	1
16	<b>CS216E14T-06</b>	<b>STUBSHAFT,140TC,UNIVRSL C216</b>	1
17	<b>S216-75AR-S</b>	<b>CLAMP,216,CASING C C+</b>	1
18	<b>SX18000013</b>	<b>COLLAR,56C/140TC,SHAFT L SEE ITEM NOTES</b>	1
19	<b>216D56T-71C-SS</b>	<b>ADAPTER,56C-140TC,SS C216/C+216</b>	1
20	<b>C216-56T-131-S</b>	<b>GUARD,SEAL,216/316,SS C C+ CB+ IC+ 56C-140TC</b>	1
21	<b>GX5079600</b>	<b>CAPSCRW,HX,1/4-20X1/2,18-8SS HX HD</b>	1
22	<b>GX5077100</b>	<b>CAPSCRW,HX,3/8-16X1,18-8SS HX HD</b>	4



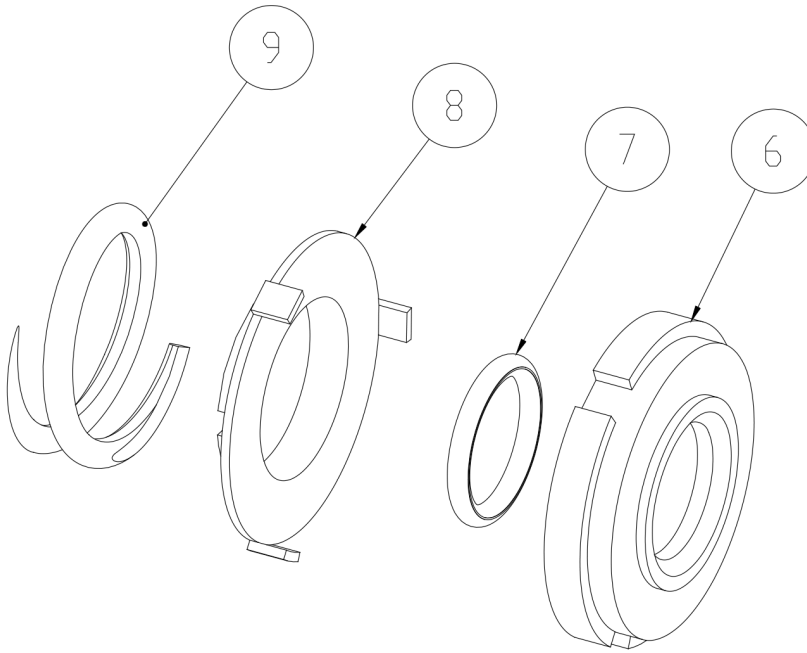


3	Casing Gasket
6	Seal Carbon
7	Seal O-Ring
12	Impeller Pin

**Seal Kit #1**

*Optional Items Shown in ITALICS*

Ref #	Component Item No.	Description	Qty Per
1	<b>KIT#1-C216-B</b>	<b>KIT,#1,216,SEAL,BUNA C</b>	<b>1</b>
	<i>KIT#1-C216-E</i>	<i>KIT,#1,SEAL,216,EPDM C</i>	<i>1</i>
	<i>KIT#1-C216-S</i>	<i>KIT,#1,SEAL,216,SFY,VIT C</i>	<i>1</i>

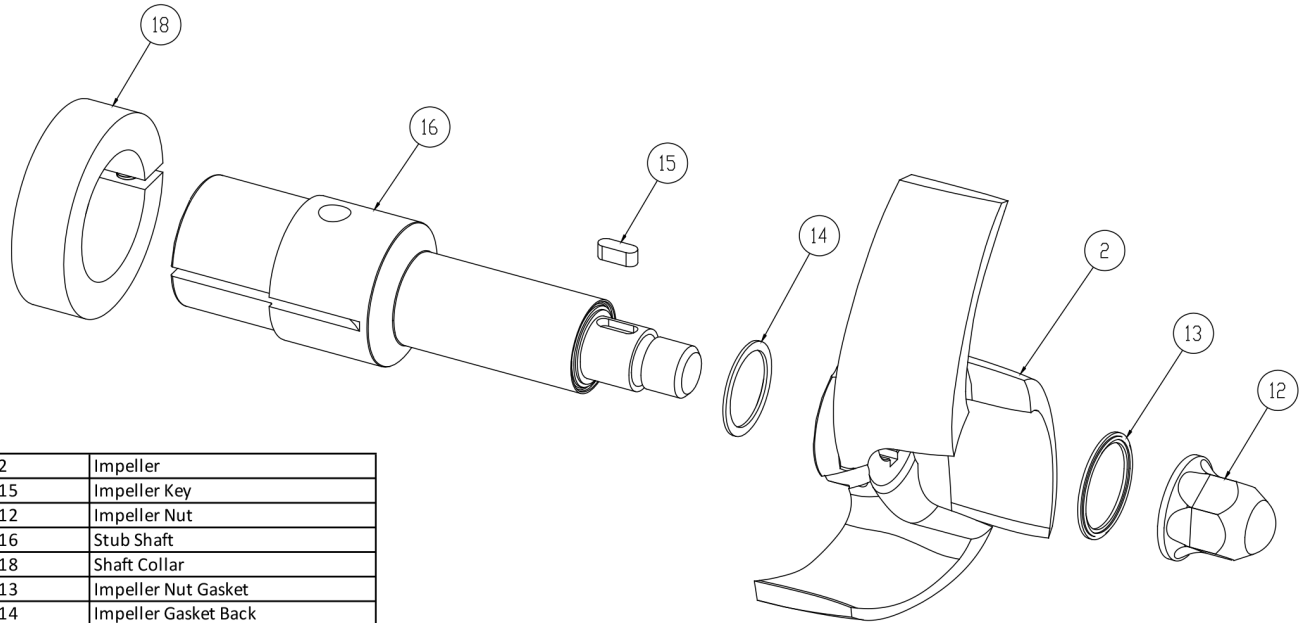


6	Seal Carbon
7	Seal O-Ring
8	Cup D Seal
9	Spring D Seal

**Seal Kit #3**

*Optional Items Shown in ITALICS*

Ref #	Component Item No.	Description	Qty Per
1	<b>KIT#3-C216-B</b>	<b>KIT,#3,216,SEAL,BUNA C</b>	<b>1</b>
	<i>KIT#3-C216-E</i>	<i>KIT,#3,SEAL,216,EPDM C</i>	<i>1</i>
	<i>KIT#3-C216-S</i>	<i>KIT,#3,SEAL,216,SFY,VIT C</i>	<i>1</i>

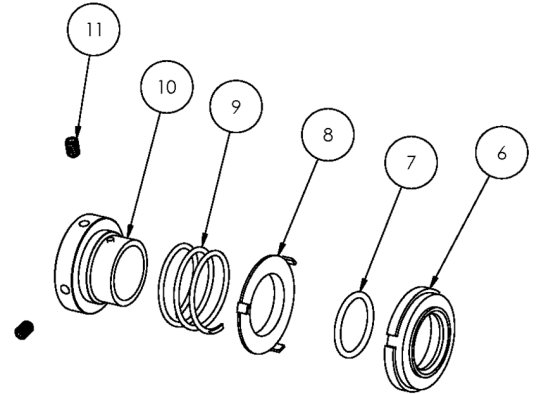
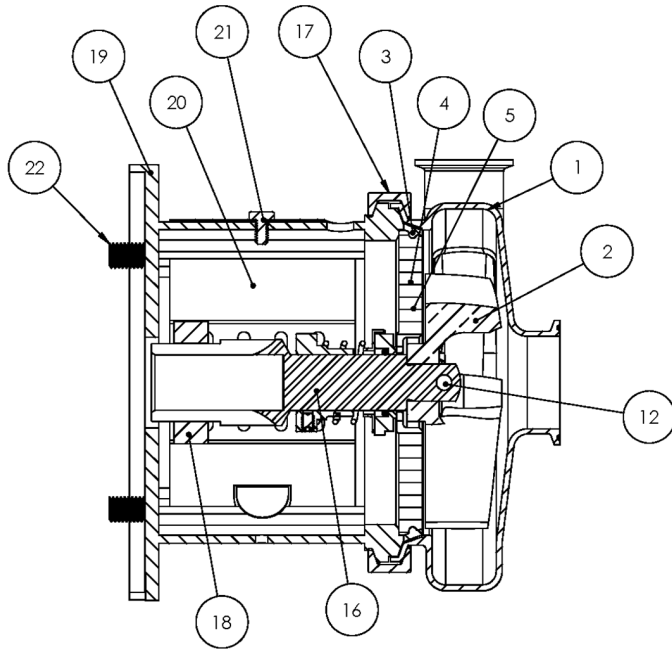


2	Impeller
15	Impeller Key
12	Impeller Nut
16	Stub Shaft
18	Shaft Collar
13	Impeller Nut Gasket
14	Impeller Gasket Back

**AC+ Conversion Kit**

*Optional Items Shown in ITALICS*

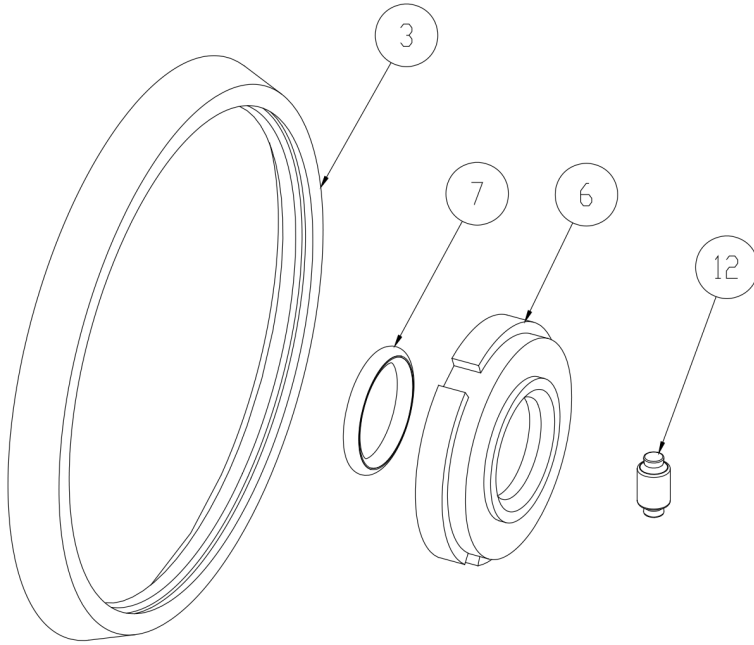
Ref #	Component Item No.	Description	Qty Per
1	<b>C+KIT-216/14</b>	<b>KIT,216,140TC,C+CONVRT,BUNA C</b>	<b>1</b>
	<i>C+KIT-216/14-E</i>	<i>KIT,216,140TC,C+CONVRT,EPDM C</i>	<i>1</i>
	<i>C+KIT-216/14-V</i>	<i>KIT,216,140TC,C+CONVRT,VIT C</i>	<i>1</i>



**Exploded View**

*Optional Items Shown in ITALICS*

Ref #	Component Item No.	Description	Qty Per
1	<b>S216M-01C-316L</b>	<b>CASING,2X1-1/2,TRI-CLMP C216/C+216</b>	1
	<i>S216T-01C</i>	<i>CASING,2X1-1/2,BVL SEAT C216/C+216</i>	1
	<i>S216MI-01C</i>	<i>CASING,2X1-1/2,CLMP GLASS BEAD C216/C+216</i>	1
	<i>S216S-01C</i>	<i>CASING,2X1-1/2,NPT C216/C+216</i>	1
	<i>S216F-01D</i>	<i>CASING,2X1-1/2,FLNGD C216/C+216</i>	1
2	<b>S216-02C-316L</b>	<b>IMPELLER,216/316 C UNIVERSAL</b>	1
3	<b>S216-90A-U</b>	<b>GASKET,216,CASING,BUNA C C+</b>	1
	<i>S216-90A-E</i>	<i>GASKET,216,CASING,EPDM C C+</i>	1
	<i>S216-90A-V</i>	<i>GASKET,216,CASING,VIT C C+</i>	1
4	<b>216D-11-316</b>	<b>BACKPLATE,D,216 C C+</b>	1
5	<b>216D-11-1-S</b>	<b>PIN,BACKPLT,114/216/328 C C+</b>	2
6	<b>216E-80-1A</b>	<b>SEAL,216/316,+2116,CARBON +2116 C C+</b>	1
7	<b>01-1165-19-U</b>	<b>O-RING,216,SEAL,BUNA C</b>	1
	<i>01-1165-19-E</i>	<i>O-RING,216,SEAL,EPDM C</i>	1
	<i>01-1165-19-V</i>	<i>O-RING,216,SEAL,VITON C</i>	1
8	<b>216D-80-3P</b>	<b>CUP,D,216/316,+216/316/4329 C C+</b>	1
9	<b>216D-80-4</b>	<b>SPRING,D,216/316/+2116 C C+ DB</b>	1
10	<b>SP216D-23P-S</b>	<b>COLLAR,D,+216/+2116DRIVE C+ DB</b>	1
11	<b>SC1105A-SS</b>	<b>SCREW,SET,DRV COLLR,1/4-20X3/8 -SS</b>	2
12	<b>216D-24B-316L</b>	<b>RETAINER,IMPLR</b>	1
16	<b>CS216E18T-06</b>	<b>STUBSHAFT,180TC,UNIVRSL C216</b>	1
17	<b>S216-75AR-S</b>	<b>CLAMP,216,CASING C C+</b>	1
18	<b>SX18000014</b>	<b>COLLAR,180TC,SHAFT LC</b>	1
19	<b>216D18T-71D-SS</b>	<b>ADAPTER,180TC FRAME SS C216/C+216</b>	1
20	<b>C216-18T-131-S</b>	<b>GUARD,SEAL,216/316,SS C C+ IC+ 180TC</b>	1
21	<b>GX5079600</b>	<b>CAPSCRW,HX,1/4-20X1/2,18-8SS HX HD</b>	1
22	<b>SC1710H-SS</b>	<b>CAPSCRW,HX,1/2-13X1,18-8SS HX HD</b>	4

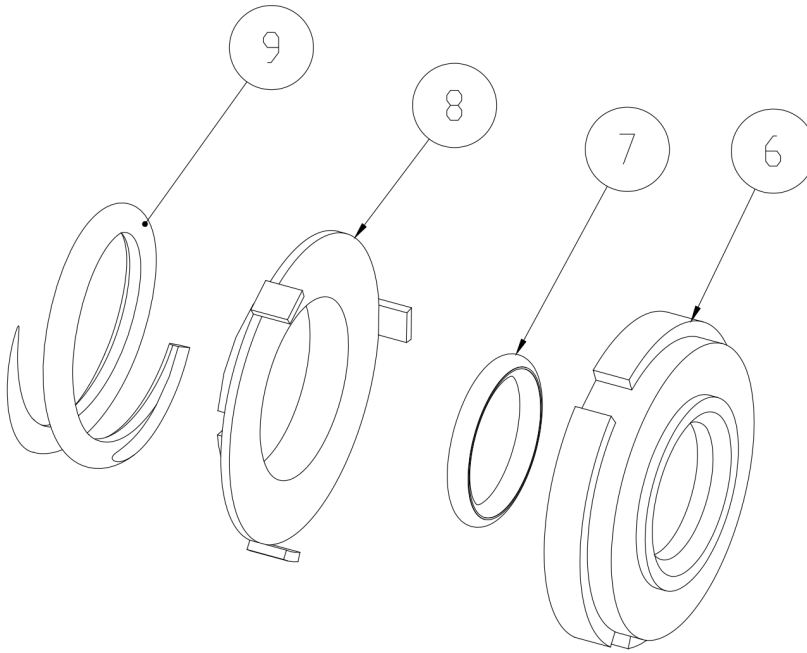


3	Casing Gasket
6	Seal Carbon
7	Seal O-Ring
12	Impeller Pin

**Seal Kit #1**

*Optional Items Shown in ITALICS*

Ref #	Component Item No.	Description	Qty Per
1	<b>KIT#1-C216-B</b>	<b>KIT,#1,216,SEAL,BUNA C</b>	<b>1</b>
	<i>KIT#1-C216-E</i>	<i>KIT,#1,SEAL,216,EPDM C</i>	<i>1</i>
	<i>KIT#1-C216-S</i>	<i>KIT,#1,SEAL,216,SFY,VIT C</i>	<i>1</i>

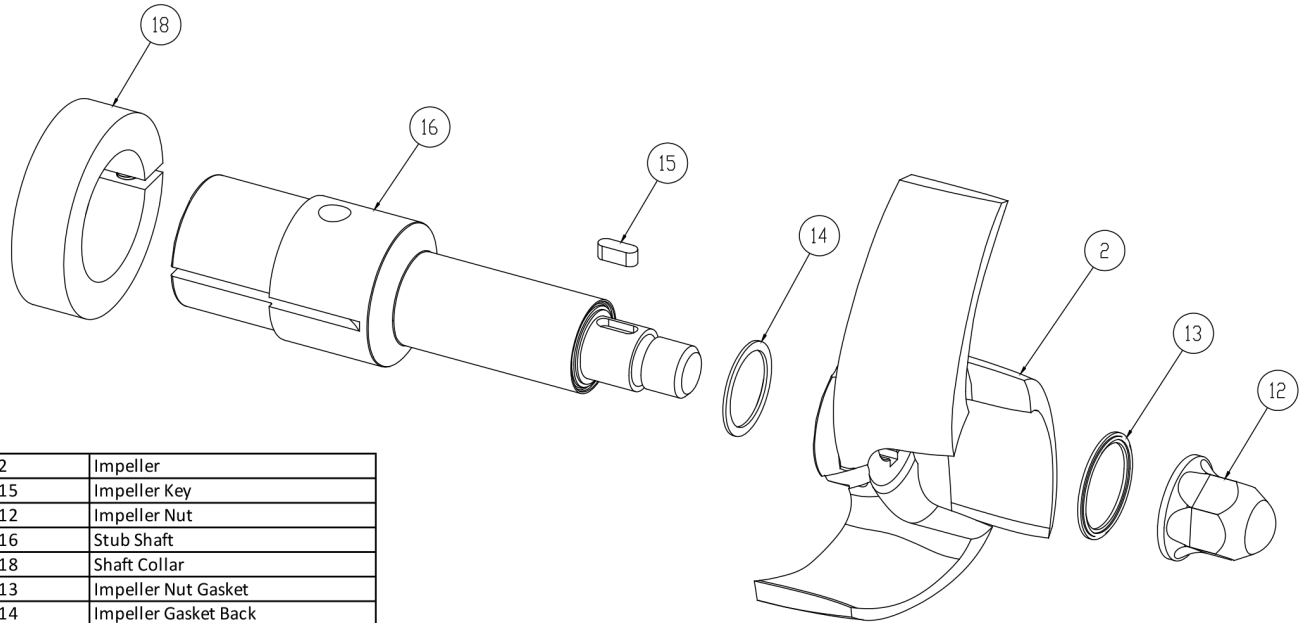


6	Seal Carbon
7	Seal O-Ring
8	Cup D Seal
9	Spring D Seal

**Seal Kit #3**

*Optional Items Shown in ITALICS*

Ref #	Component Item No.	Description	Qty Per
1	<b>KIT#3-C216-B</b>	<b>KIT,#3,216,SEAL,BUNA C</b>	<b>1</b>
	<i>KIT#3-C216-E</i>	<i>KIT,#3,SEAL,216,EPDM C</i>	<i>1</i>
	<i>KIT#3-C216-S</i>	<i>KIT,#3,SEAL,216,SFY,VIT C</i>	<i>1</i>

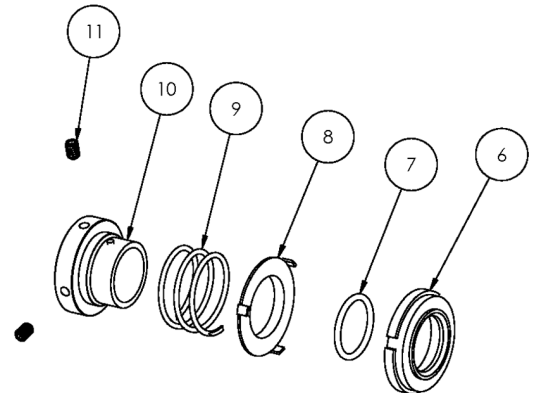
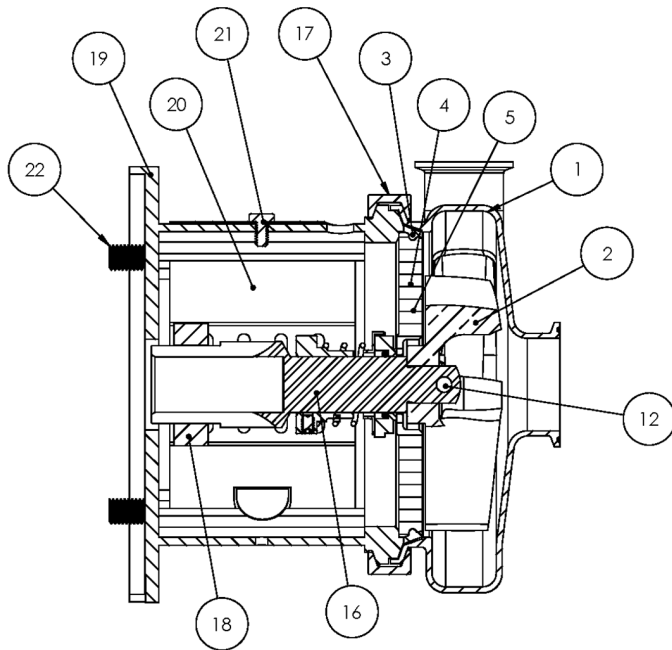


2	Impeller
15	Impeller Key
12	Impeller Nut
16	Stub Shaft
18	Shaft Collar
13	Impeller Nut Gasket
14	Impeller Gasket Back

**AC+ Conversion Kit**

*Optional Items Shown in ITALICS*

Ref #	Component Item No.	Description	Qty Per
1	<b>C+KIT-216/18</b>	<b>KIT,216,180TC,C+CONVRT,BUNA C</b>	<b>1</b>
	<i>C+KIT-216/18-E</i>	<i>KIT,216,180TC,C+CONVRT,EPDM C</i>	<i>1</i>
	<i>C+KIT-216/18-V</i>	<i>KIT,216,180TC,C+CONVRT,VIT C</i>	<i>1</i>

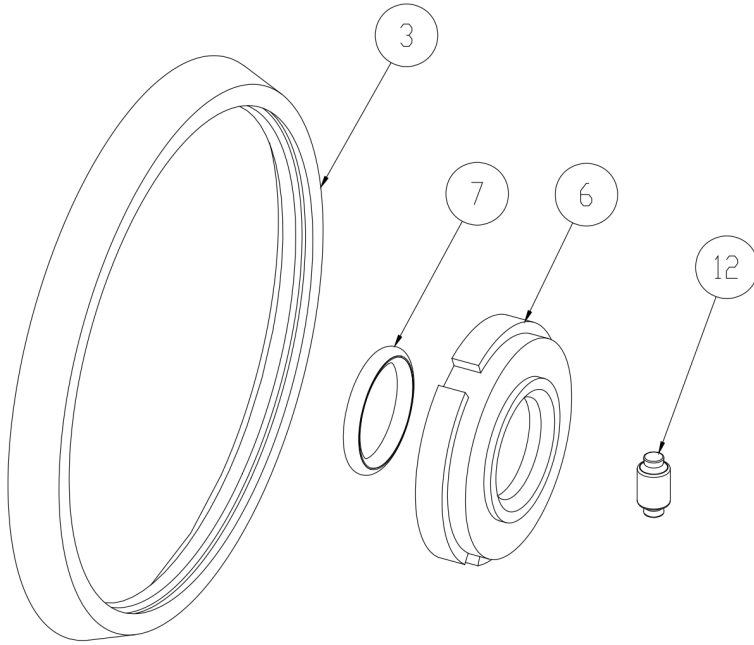


**Exploded View**

*Optional Items Shown in ITALICS*

Ref #	Component Item No.	Description	Qty Per
1	<b>S216M-01C-316L</b>	<b>CASING,2X1-1/2,TRI-CLMP C216/C+216</b>	1
	<i>S216T-01C</i>	<i>CASING,2X1-1/2,BVL SEAT C216/C+216</i>	1
	<i>S216MI-01C</i>	<i>CASING,2X1-1/2,CLMP GLASS BEAD C216/C+216</i>	1
	<i>S216S-01C</i>	<i>CASING,2X1-1/2,NPT C216/C+216</i>	1
	<i>S216F-01D</i>	<i>CASING,2X1-1/2,FLNGD C216/C+216</i>	1
2	<b>S216-02C-316L</b>	<b>IMPELLER,216/316 C UNIVERSAL</b>	1
3	<b>S216-90A-U</b>	<b>GASKET,216,CASING,BUNA C C+</b>	1
	<i>S216-90A-E</i>	<i>GASKET,216,CASING,EPDM C C+</i>	1
	<i>S216-90A-V</i>	<i>GASKET,216,CASING,VIT C C+</i>	1
4	<b>216D-11-316</b>	<b>BACKPLATE,D,216 C C+</b>	1
5	<b>216D-11-1-S</b>	<b>PIN,BACKPLT,114/216/328 C C+</b>	2
6	<b>216E-80-1A</b>	<b>SEAL,216/316,+2116,CARBON +2116 C C+</b>	1
7	<b>01-1165-19-U</b>	<b>O-RING,216,SEAL,BUNA C</b>	1
	<i>01-1165-19-E</i>	<i>O-RING,216,SEAL,EPDM C</i>	1
	<i>01-1165-19-V</i>	<i>O-RING,216,SEAL,VITON C</i>	1
8	<b>216D-80-3P</b>	<b>CUP,D,216/316,+216/316/4329 C C+</b>	1
9	<b>216D-80-4</b>	<b>SPRING,D,216/316/+2116 C C+ DB</b>	1
10	<b>SP216D-23P-S</b>	<b>COLLAR,D,+216/+2116DRIVE C+ DB</b>	1
11	<b>SC1105A-SS</b>	<b>SCREW,SET,DRV COLLR,1/4-20X3/8 -SS</b>	2
12	<b>216D-24B-316L</b>	<b>RETAINER,IMPLR</b>	1
16	<b>CS216E21T-06</b>	<b>STUBSHAFT,210TC,UNIVRSL C216</b>	1
17	<b>S216-75AR-S</b>	<b>CLAMP,216,CASING C C+</b>	1
18	<b>SX18000015</b>	<b>COLLAR,210TC,SHAFT LC</b>	1
19	<b>216E21T-71D-SS</b>	<b>ADAPTER,210TC FRAME,SS C216/C+216</b>	1
20	<b>C216-21T-131B-S</b>	<b>GUARD,SEAL,216/316/+2116,SS C C+ 210TC</b>	1
21	<b>GX5079600</b>	<b>CAPSCRW,HX,1/4-20X1/2,18-8SS HX HD</b>	1
22	<b>SC1710H-SS</b>	<b>CAPSCRW,HX,1/2-13X1,18-8SS HX HD</b>	4



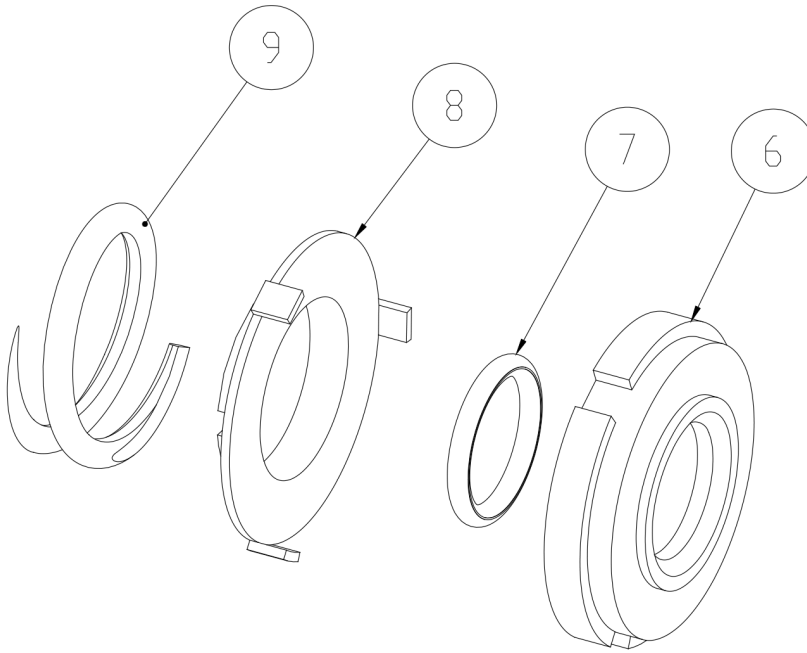


3	Casing Gasket
6	Seal Carbon
7	Seal O-Ring
12	Impeller Pin

**Seal Kit #1**

*Optional Items Shown in ITALICS*

Ref #	Component Item No.	Description	Qty Per
1	<b>KIT#1-C216-B</b>	<b>KIT,#1,216,SEAL,BUNA C</b>	<b>1</b>
	<i>KIT#1-C216-E</i>	<i>KIT,#1,SEAL,216,EPDM C</i>	<i>1</i>
	<i>KIT#1-C216-S</i>	<i>KIT,#1,SEAL,216,SFY,VIT C</i>	<i>1</i>

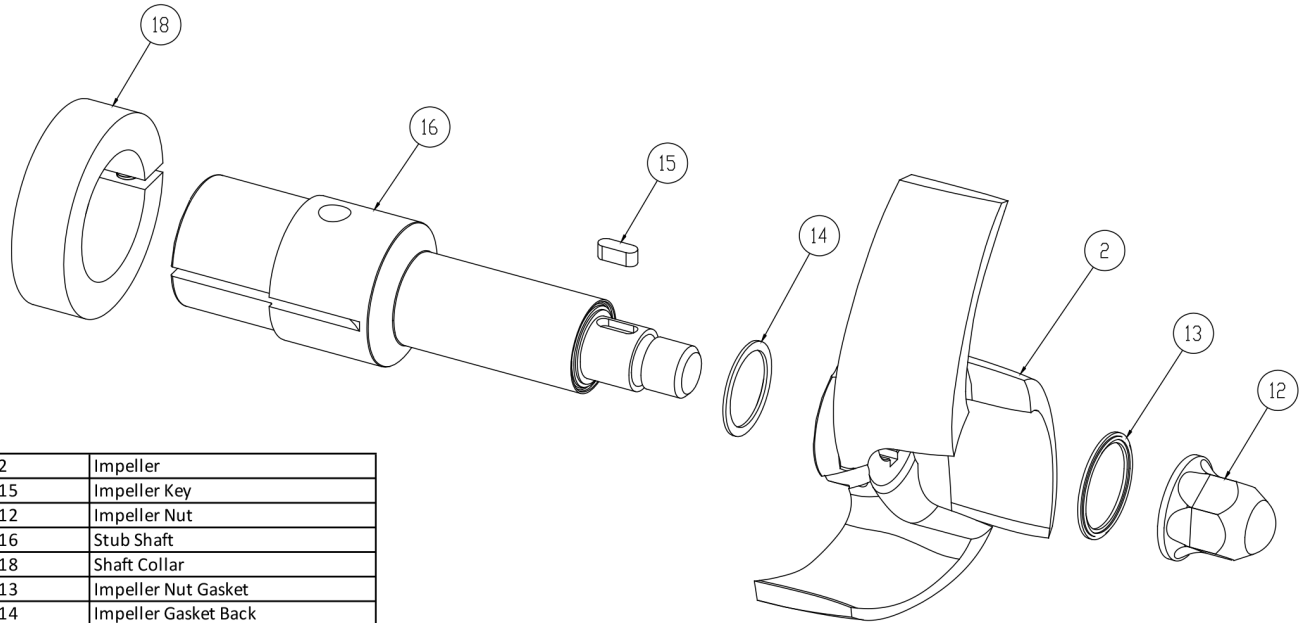


6	Seal Carbon
7	Seal O-Ring
8	Cup D Seal
9	Spring D Seal

**Seal Kit #3**

*Optional Items Shown in ITALICS*

Ref #	Component Item No.	Description	Qty Per
1	<b>KIT#3-C216-B</b>	<b>KIT,#3,216,SEAL,BUNA C</b>	<b>1</b>
	<i>KIT#3-C216-E</i>	<i>KIT,#3,SEAL,216,EPDM C</i>	<i>1</i>
	<i>KIT#3-C216-S</i>	<i>KIT,#3,SEAL,216,SFY,VIT C</i>	<i>1</i>

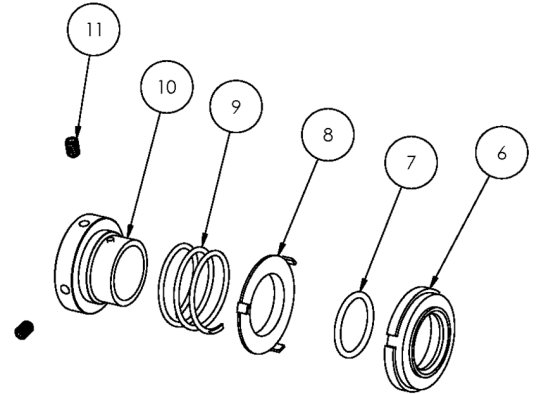
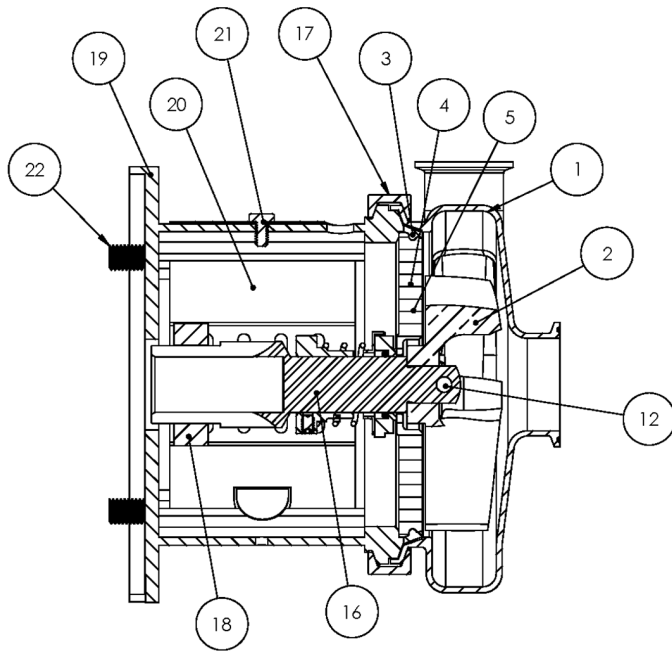


2	Impeller
15	Impeller Key
12	Impeller Nut
16	Stub Shaft
18	Shaft Collar
13	Impeller Nut Gasket
14	Impeller Gasket Back

**AC+ Conversion Kit**

*Optional Items Shown in ITALICS*

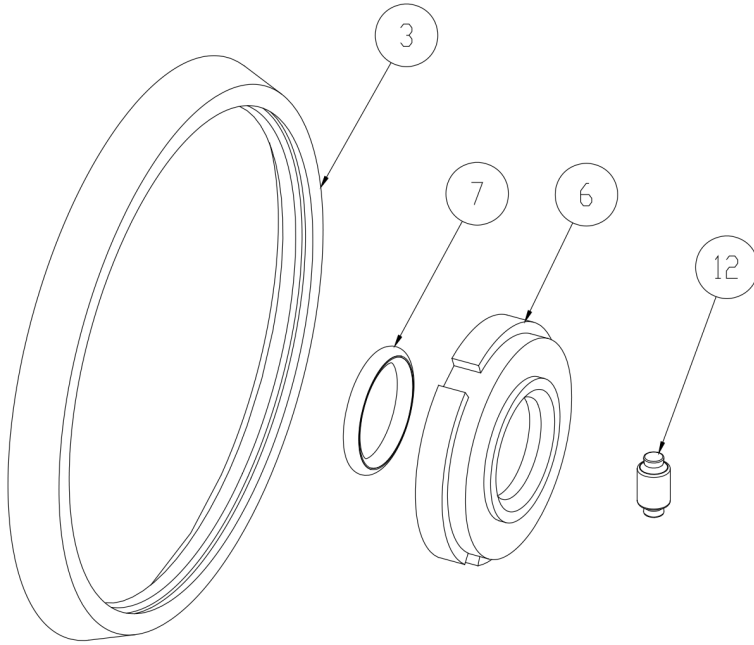
Ref #	Component Item No.	Description	Qty Per
1	<b>C+KIT-216/21</b>	<b>KIT,216,210TC,C+CONVRT,BUNA C</b>	<b>1</b>
	<i>C+KIT-216/21-E</i>	<i>KIT,216,210TC,C+CONVRT,EPDM C</i>	<i>1</i>
	<i>C+KIT-216/21-V</i>	<i>KIT,216,210TC,C+CONVRT,VIT C</i>	<i>1</i>



**Exploded View**

*Optional Items Shown in ITALICS*

Ref #	Component Item No.	Description	Qty Per
1	<b>S216M-01C-316L</b>	<b>CASING,2X1-1/2,TRI-CLMP C216/C+216</b>	1
	<i>S216T-01C</i>	<i>CASING,2X1-1/2,BVL SEAT C216/C+216</i>	1
	<i>S216MI-01C</i>	<i>CASING,2X1-1/2,CLMP GLASS BEAD C216/C+216</i>	1
	<i>S216S-01C</i>	<i>CASING,2X1-1/2,NPT C216/C+216</i>	1
	<i>S216F-01D</i>	<i>CASING,2X1-1/2,FLNGD C216/C+216</i>	1
2	<b>S216-02C-316L</b>	<b>IMPELLER,216/316 C UNIVERSAL</b>	1
3	<b>S216-90A-U</b>	<b>GASKET,216,CASING,BUNA C C+</b>	1
	<i>S216-90A-E</i>	<i>GASKET,216,CASING,EPDM C C+</i>	1
	<i>S216-90A-V</i>	<i>GASKET,216,CASING,VIT C C+</i>	1
4	<b>216D-11-316</b>	<b>BACKPLATE,D,216 C C+</b>	1
5	<b>216D-11-1-S</b>	<b>PIN,BACKPLT,114/216/328 C C+</b>	2
6	<b>216E-80-1A</b>	<b>SEAL,216/316,+2116,CARBON +2116 C C+</b>	1
7	<b>01-1165-19-U</b>	<b>O-RING,216,SEAL,BUNA C</b>	1
	<i>01-1165-19-E</i>	<i>O-RING,216,SEAL,EPDM C</i>	1
	<i>01-1165-19-V</i>	<i>O-RING,216,SEAL,VITON C</i>	1
8	<b>216D-80-3P</b>	<b>CUP,D,216/316,+216/316/4329 C C+</b>	1
9	<b>216D-80-4</b>	<b>SPRING,D,216/316/+2116 C C+ DB</b>	1
10	<b>SP216D-23P-S</b>	<b>COLLAR,D,+216/+2116DRIVE C+ DB</b>	1
11	<b>SC1105A-SS</b>	<b>SCREW,SET,DRV COLLR,1/4-20X3/8 -SS</b>	2
12	<b>216D-24B-316L</b>	<b>RETAINER,IMPLR</b>	1
16	<b>CS216E25T-06</b>	<b>STUBSHAFT,250TC,UNIVRSL C216</b>	1
17	<b>S216-75AR-S</b>	<b>CLAMP,216,CASING C C+</b>	1
18	<b>SX18000016</b>	<b>COLLAR,250TC/280TSC,SHAFT LC</b>	1
19	<b>216E25T-71D-SS</b>	<b>ADAPTER,250TC FRAME,SS C216/C+216</b>	1
20	<b>C216-21T-131B-S</b>	<b>GUARD,SEAL,216/316/+2116,SS C C+ 210TC</b>	1
21	<b>GX5079600</b>	<b>CAPSCRW,HX,1/4-20X1/2,18-8SS HX HD</b>	1
22	<b>SC1710H-SS</b>	<b>CAPSCRW,HX,1/2-13X1,18-8SS HX HD</b>	4

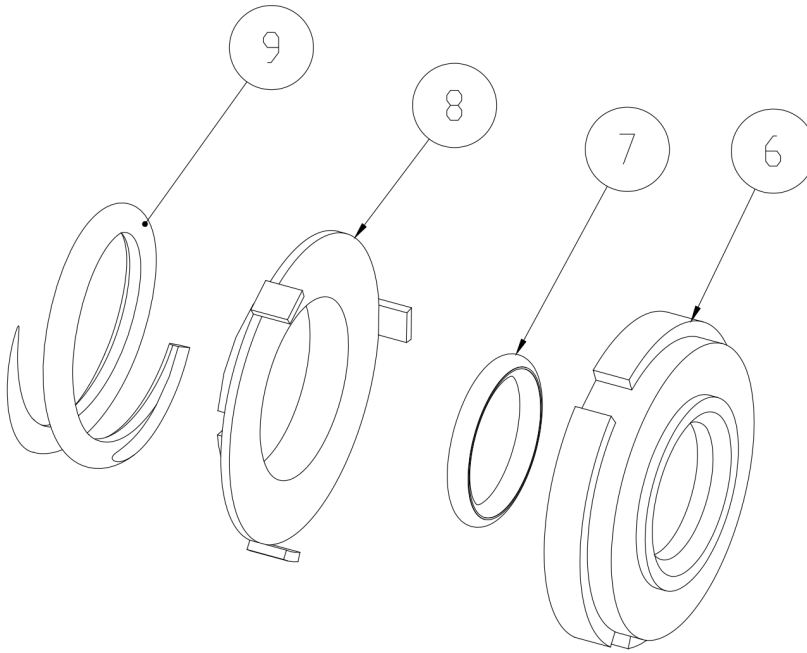


3	Casing Gasket
6	Seal Carbon
7	Seal O-Ring
12	Impeller Pin

**Seal Kit #1**

*Optional Items Shown in ITALICS*

Ref #	Component Item No.	Description	Qty Per
1	<b>KIT#1-C216-B</b>	<b>KIT,#1,216,SEAL,BUNA C</b>	<b>1</b>
	<i>KIT#1-C216-E</i>	<i>KIT,#1,SEAL,216,EPDM C</i>	<i>1</i>
	<i>KIT#1-C216-S</i>	<i>KIT,#1,SEAL,216,SFY,VIT C</i>	<i>1</i>

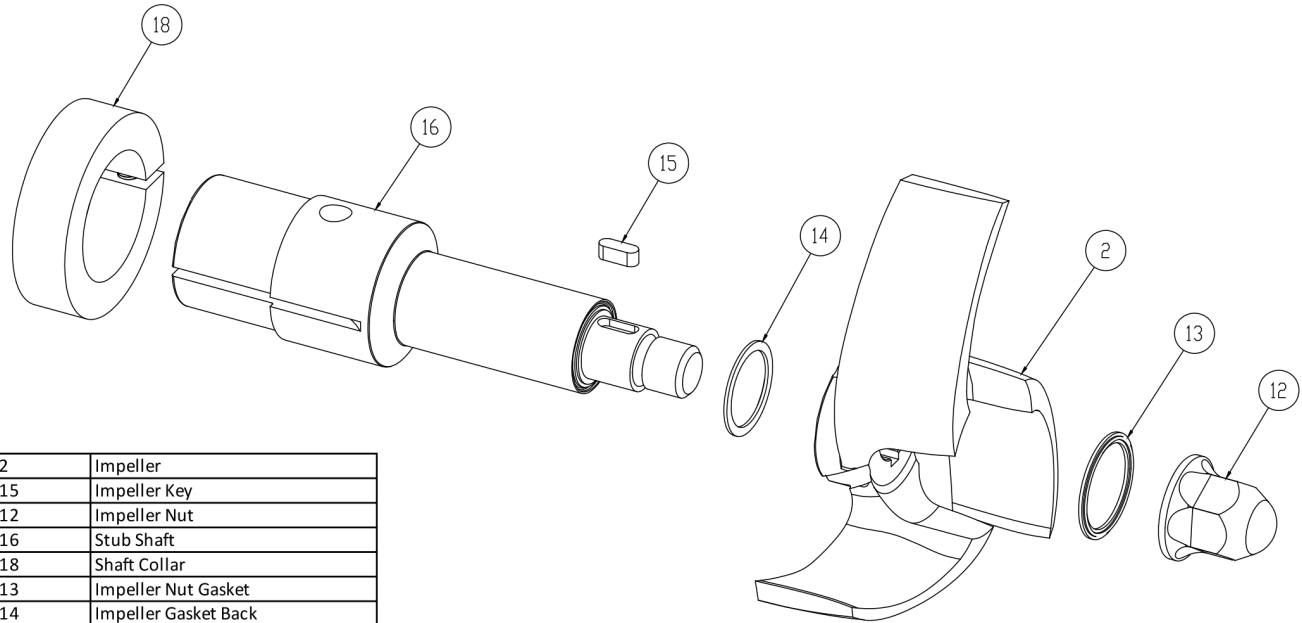


6	Seal Carbon
7	Seal O-Ring
8	Cup D Seal
9	Spring D Seal

**Seal Kit #3**

*Optional Items Shown in ITALICS*

Ref #	Component Item No.	Description	Qty Per
1	<b>KIT#3-C216-B</b>	<b>KIT,#3,216,SEAL,BUNA C</b>	<b>1</b>
	<i>KIT#3-C216-E</i>	<i>KIT,#3,SEAL,216,EPDM C</i>	<i>1</i>
	<i>KIT#3-C216-S</i>	<i>KIT,#3,SEAL,216,SFY,VIT C</i>	<i>1</i>

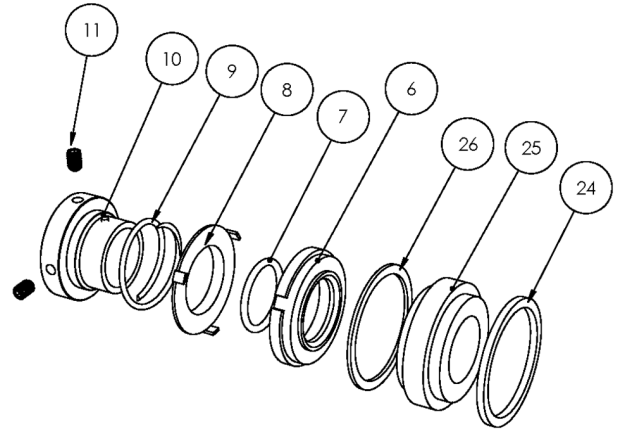
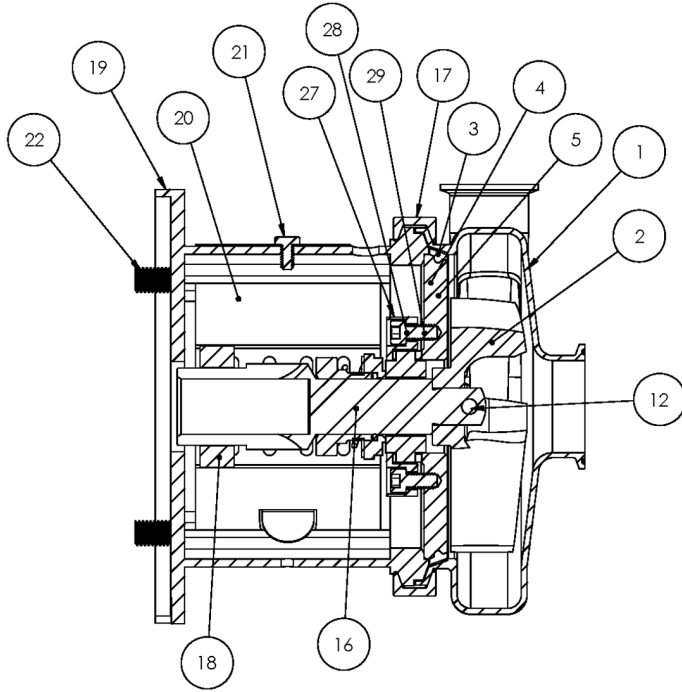


2	Impeller
15	Impeller Key
12	Impeller Nut
16	Stub Shaft
18	Shaft Collar
13	Impeller Nut Gasket
14	Impeller Gasket Back

**AC+ Conversion Kit**

*Optional Items Shown in ITALICS*

Ref #	Component Item No.	Description	Qty Per
1	<b>C+KIT-216/25</b>	<b>KIT,216,250TC,C+CONVRT,BUNA C</b>	<b>1</b>
	<i>C+KIT-216/25-E</i>	<i>KIT,216,250TC,C+CONVRT,EPDM C</i>	<i>1</i>
	<i>C+KIT-216/25-V</i>	<i>KIT,216,250TC,C+CONVRT,VIT C</i>	<i>1</i>

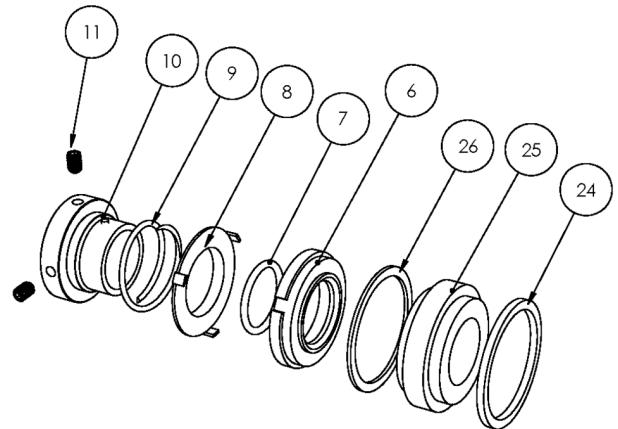
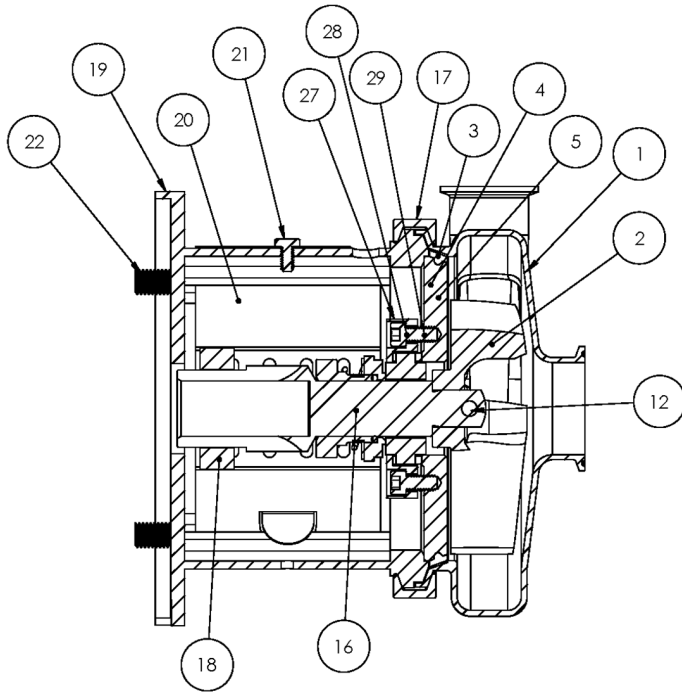


**Exploded View**

*Optional Items Shown in ITALICS*

Ref #	Component Item No.	Description	Qty Per
1	<b>S216M-01C-316L</b>	<b>CASING,2X1-1/2,TRI-CLMP C216/C+216</b>	1
	<i>S216T-01C</i>	<i>CASING,2X1-1/2,BVL SEAT C216/C+216</i>	1
	<i>S216MI-01C</i>	<i>CASING,2X1-1/2,CLMP GLASS BEAD C216/C+216</i>	1
	<i>S216S-01C</i>	<i>CASING,2X1-1/2,NPT C216/C+216</i>	1
	<i>S216F-01D</i>	<i>CASING,2X1-1/2,FLNGD C216/C+216</i>	1
2	<b>S216-02C-316L</b>	<b>IMPELLER,216/316 C UNIVERSAL</b>	1
3	<b>S216-90A-U</b>	<b>GASKET,216,CASING,BUNA C C+</b>	1
	<i>S216-90A-E</i>	<i>GASKET,216,CASING,EPDM C C+</i>	1
	<i>S216-90A-V</i>	<i>GASKET,216,CASING,VIT C C+</i>	1
4	<b>SP216G-11-316L</b>	<b>BACKPLATE,DG,216 C C+</b>	1
5	<b>216D-11-1-S</b>	<b>PIN,BACKPLT,114/216/328 C C+</b>	2
6	<b>216E-80-1A</b>	<b>SEAL,216/316,+2116,CARBON +2116 C C+</b>	1
	<i>216E-80-1SC</i>	<i>SEAL,216,RTRY,SILC CARB C C+</i>	1
7	<b>01-1165-19-U</b>	<b>O-RING,216,SEAL,BUNA C</b>	1
	<i>01-1165-19-E</i>	<i>O-RING,216,SEAL,EPDM C</i>	1
	<i>01-1165-19-V</i>	<i>O-RING,216,SEAL,VITON C</i>	1
8	<b>216D-80-3P</b>	<b>CUP,D,216/316,+216/316/4329 C C+</b>	1
9	<b>216D-80-4</b>	<b>SPRING,D,216/316/+2116 C C+ DB</b>	1
10	<b>SP216D-23P-S</b>	<b>COLLAR,D,+216/+2116DRIVE C+ DB</b>	1
11	<b>SC1105A-SS</b>	<b>SCREW,SET,DRV COLLR,1/4-20X3/8 -SS</b>	2
12	<b>216D-24B-316L</b>	<b>RETAINER,IMPLR</b>	1
16	<b>CS216E56T-06</b>	<b>STUBSHAFT,56C,UNIVRSL C216</b>	1
17	<b>S216-75AR-S</b>	<b>CLAMP,216,CASING C C+</b>	1
18	<b>SX18000013</b>	<b>COLLAR,56C/140TC,SHAFT L SEE ITEM NOTES</b>	1
19	<b>216D56T-71C-SS</b>	<b>ADAPTER,56C-140TC,SS C216/C+216</b>	1
20	<b>C216-56T-131-S</b>	<b>GUARD,SEAL,216/316,SS C C+ CB+ IC+ 56C-140TC</b>	1
21	<b>GX5079600</b>	<b>CAPSCRW,HX,1/4-20X1/2,18-8SS HX HD</b>	1

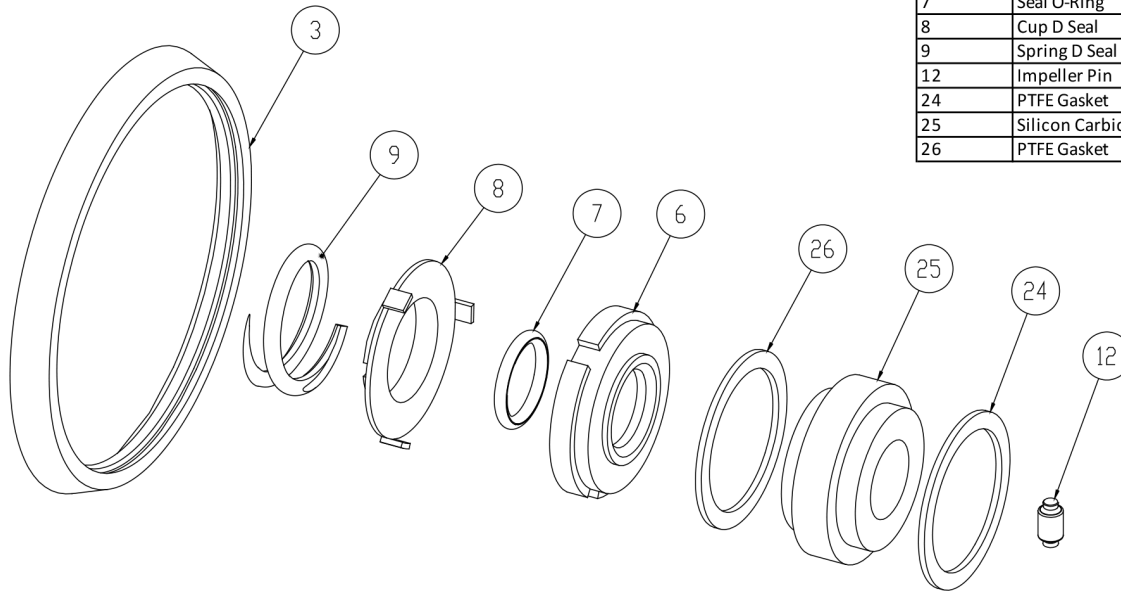




**Exploded View**

*Optional Items Shown in ITALICS*

Ref #	Component Item No.	Description	Qty Per
22	GX5077100	CAPSCRW,HX,3/8-16X1,18-8SS HX HD	4
24	SP216G-80-12AG	GASKET,216/316,DG,THK,PTFE C C+	1
25	SP216G-80-11SC	SEAT,216/316,DG,SEAL,SILC CARB C C+	1
	<i>SP216G-80-11TC</i>	<i>SEAT,216,DG,SEAL,TUNG CARB C C+</i>	1
	<i>SP216G-80-11CER</i>	<i>SEAT,216,DG,SEAL,CERAMIC C C+</i>	1
26	SP216G-80-12G	GASKET,216/316,DG,THN,PTFE C C+	1
27	SP216G-17-316L	RING,216,GLAND,DG C C+	1
28	GX5076004	CAPSCRW,HX,5/16-18X1,8-8SS HX HD	4
29	LWA-1300-SS	WASHER,LOCK,5/16,18-8SS	4

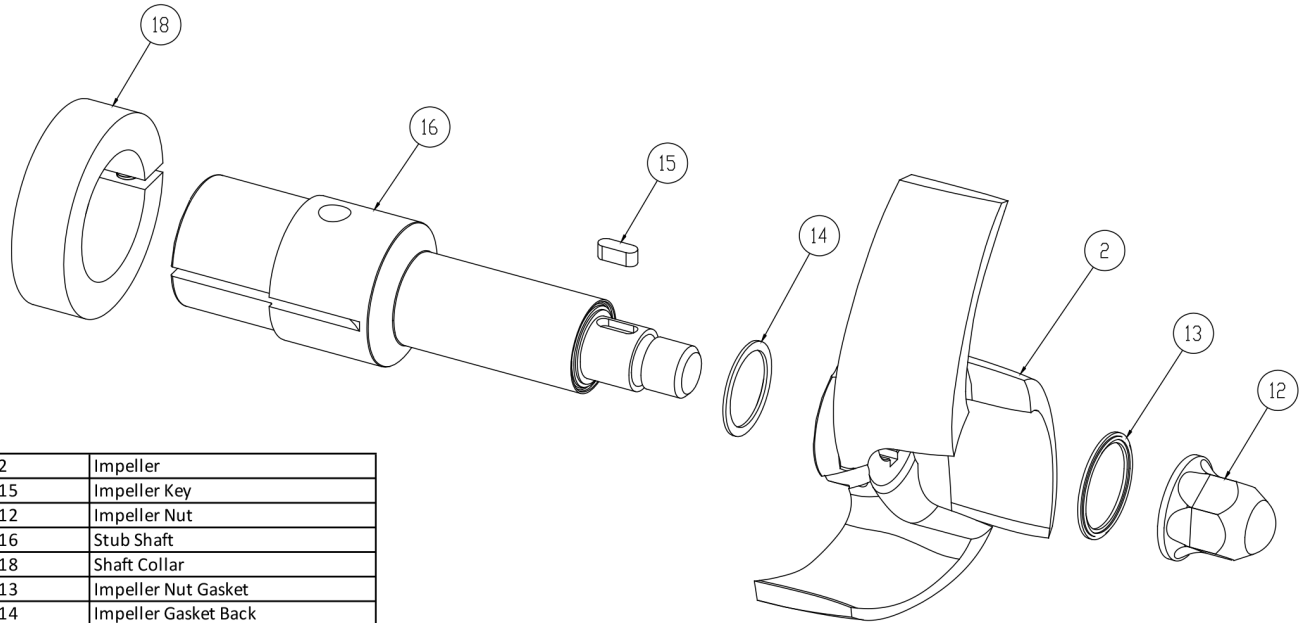


3	Casing Gasket
6	Seal Carbon
7	Seal O-Ring
8	Cup D Seal
9	Spring D Seal
12	Impeller Pin
24	PTFE Gasket
25	Silicon Carbide Seat
26	PTFE Gasket

**Seal Kit DG**

*Optional Items Shown in ITALICS*

Ref #	Component Item No.	Description	Qty Per
1	<b>KITDG-C216-B</b>	<b>KIT,216,DG,SEAL,BUNA C</b>	<b>1</b>
	<i>KITDG-C216-E</i>	<i>KIT,216,DG SEAL,SC,EPDM C</i>	<i>1</i>
	<i>KITDG-C216-S</i>	<i>KIT,216,DG,SEAL,VIT C</i>	<i>1</i>

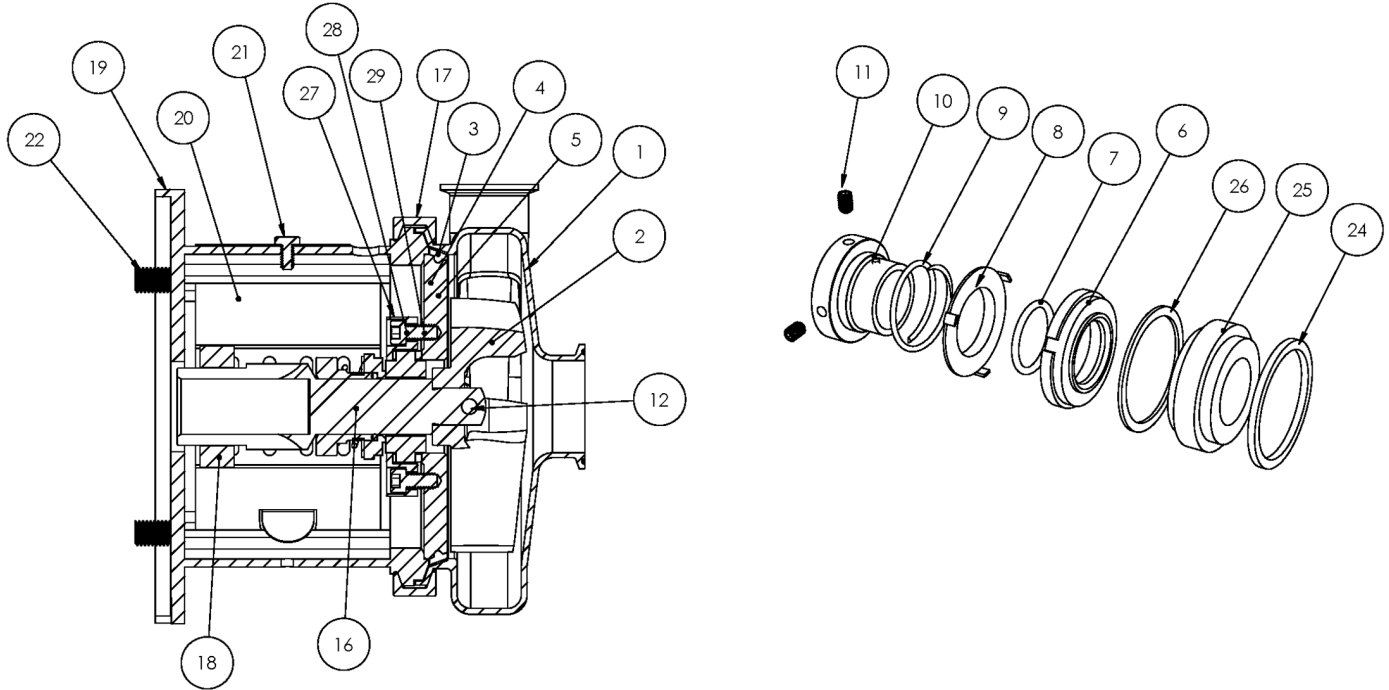


2	Impeller
15	Impeller Key
12	Impeller Nut
16	Stub Shaft
18	Shaft Collar
13	Impeller Nut Gasket
14	Impeller Gasket Back

**AC+ Conversion Kit**

*Optional Items Shown in ITALICS*

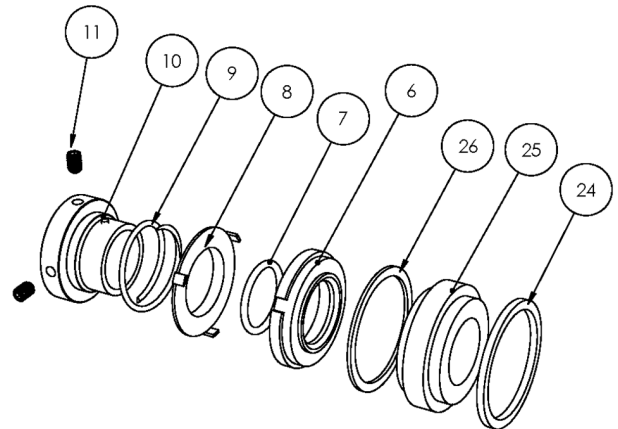
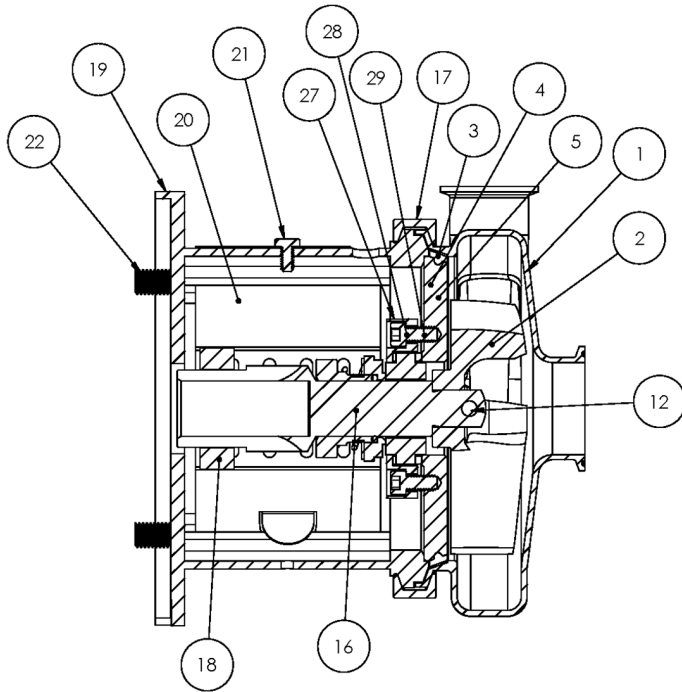
Ref #	Component Item No.	Description	Qty Per
1	<b>C+KIT-216/56</b>	<b>KIT,216,56TC,C+CONVRT,BUNA C</b>	<b>1</b>
	<i>C+KIT-216/56-E</i>	<i>KIT,216,56TC,C+CONVRT,EPDM C</i>	<i>1</i>
	<i>C+KIT-216/56-V</i>	<i>KIT,216,56TC,C+CONVRT,VIT CL VI C</i>	<i>1</i>



**Exploded View**

*Optional Items Shown in ITALICS*

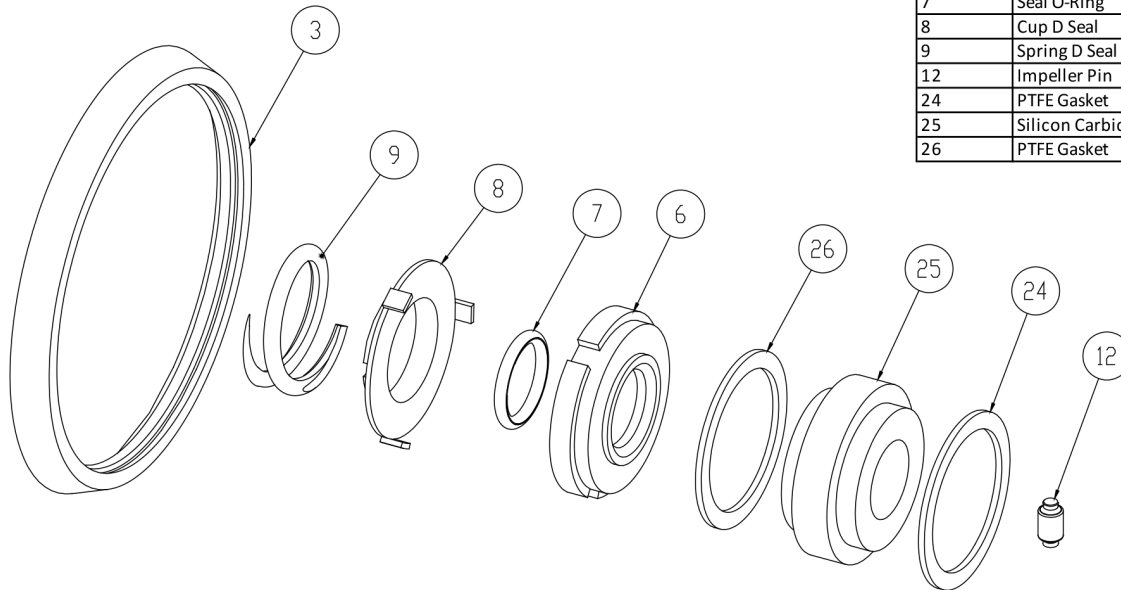
Ref #	Component Item No.	Description	Qty Per
1	<b>S216M-01C-316L</b>	<b>CASING,2X1-1/2,TRI-CLMP C216/C+216</b>	1
	<i>S216T-01C</i>	<i>CASING,2X1-1/2,BVL SEAT C216/C+216</i>	1
	<i>S216MI-01C</i>	<i>CASING,2X1-1/2,CLMP GLASS BEAD C216/C+216</i>	1
	<i>S216S-01C</i>	<i>CASING,2X1-1/2,NPT C216/C+216</i>	1
	<i>S216F-01D</i>	<i>CASING,2X1-1/2,FLNGD C216/C+216</i>	1
2	<b>S216-02C-316L</b>	<b>IMPELLER,216/316 C UNIVERSAL</b>	1
3	<b>S216-90A-U</b>	<b>GASKET,216,CASING,BUNA C C+</b>	1
	<i>S216-90A-E</i>	<i>GASKET,216,CASING,EPDM C C+</i>	1
	<i>S216-90A-V</i>	<i>GASKET,216,CASING,VIT C C+</i>	1
4	<b>SP216G-11-316L</b>	<b>BACKPLATE,DG,216 C C+</b>	1
5	<b>216D-11-1-S</b>	<b>PIN,BACKPLT,114/216/328 C C+</b>	2
6	<b>216E-80-1A</b>	<b>SEAL,216/316,+2116,CARBON +2116 C C+</b>	1
	<i>216E-80-1SC</i>	<i>SEAL,216,RTRY,SILC CARB C C+</i>	1
7	<b>01-1165-19-U</b>	<b>O-RING,216,SEAL,BUNA C</b>	1
	<i>01-1165-19-E</i>	<i>O-RING,216,SEAL,EPDM C</i>	1
	<i>01-1165-19-V</i>	<i>O-RING,216,SEAL,VITON C</i>	1
8	<b>216D-80-3P</b>	<b>CUP,D,216/316,+216/316/4329 C C+</b>	1
9	<b>216D-80-4</b>	<b>SPRING,D,216/316/+2116 C C+ DB</b>	1
10	<b>SP216D-23P-S</b>	<b>COLLAR,D,+216/+2116DRIVE C+ DB</b>	1
11	<b>SC1105A-SS</b>	<b>SCREW,SET,DRV COLLR,1/4-20X3/8 -SS</b>	2
12	<b>216D-24B-316L</b>	<b>RETAINER,IMPLR</b>	1
16	<b>CS216E14T-06</b>	<b>STUBSHAFT,140TC,UNIVRSL C216</b>	1
17	<b>S216-75AR-S</b>	<b>CLAMP,216,CASING C C+</b>	1
18	<b>SX18000013</b>	<b>COLLAR,56C/140TC,SHAFT L SEE ITEM NOTES</b>	1
19	<b>216D56T-71C-SS</b>	<b>ADAPTER,56C-140TC,SS C216/C+216</b>	1
20	<b>C216-56T-131-S</b>	<b>GUARD,SEAL,216/316,SS C C+ CB+ IC+ 56C-140TC</b>	1
21	<b>GX5079600</b>	<b>CAPSCRW,HX,1/4-20X1/2,18-8SS HX HD</b>	1



**Exploded View**

*Optional Items Shown in ITALICS*

Ref #	Component Item No.	Description	Qty Per
22	GX5077100	CAPSCRW,HX,3/8-16X1,18-8SS HX HD	4
24	SP216G-80-12AG	GASKET,216/316,DG,THK,PTFE C C+	1
25	SP216G-80-11SC	SEAT,216/316,DG,SEAL,SILC CARB C C+	1
	<i>SP216G-80-11TC</i>	<i>SEAT,216,DG,SEAL,TUNG CARB C C+</i>	1
	<i>SP216G-80-11CER</i>	<i>SEAT,216,DG,SEAL,CERAMIC C C+</i>	1
26	SP216G-80-12G	GASKET,216/316,DG,THN,PTFE C C+	1
27	SP216G-17-316L	RING,216,GLAND,DG C C+	1
28	GX5076004	CAPSCRW,HX,5/16-18X1,8-8SS HX HD	4
29	LWA-1300-SS	WASHER,LOCK,5/16,18-8SS	4

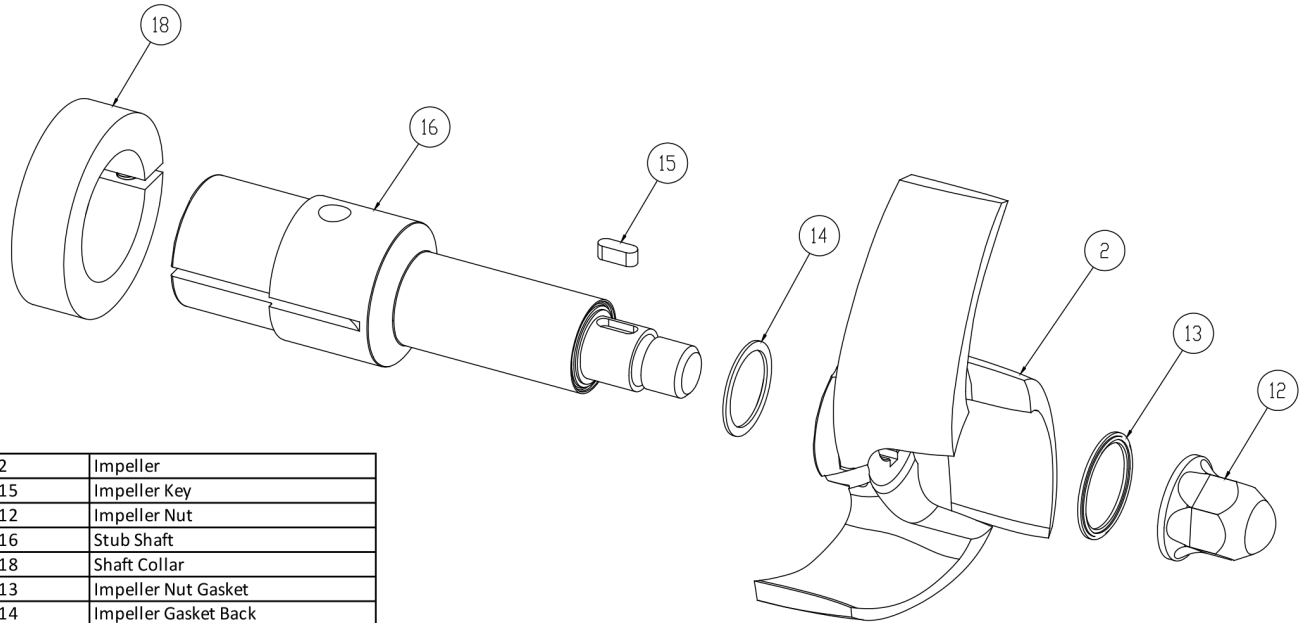


3	Casing Gasket
6	Seal Carbon
7	Seal O-Ring
8	Cup D Seal
9	Spring D Seal
12	Impeller Pin
24	PTFE Gasket
25	Silicon Carbide Seat
26	PTFE Gasket

**Seal Kit DG**

*Optional Items Shown in ITALICS*

Ref #	Component Item No.	Description	Qty Per
1	<b>KITDG-C216-B</b>	<b>KIT,216,DG,SEAL,BUNA C</b>	<b>1</b>
	<i>KITDG-C216-E</i>	<i>KIT,216,DG SEAL,SC,EPDM C</i>	<i>1</i>
	<i>KITDG-C216-S</i>	<i>KIT,216,DG,SEAL,VIT C</i>	<i>1</i>

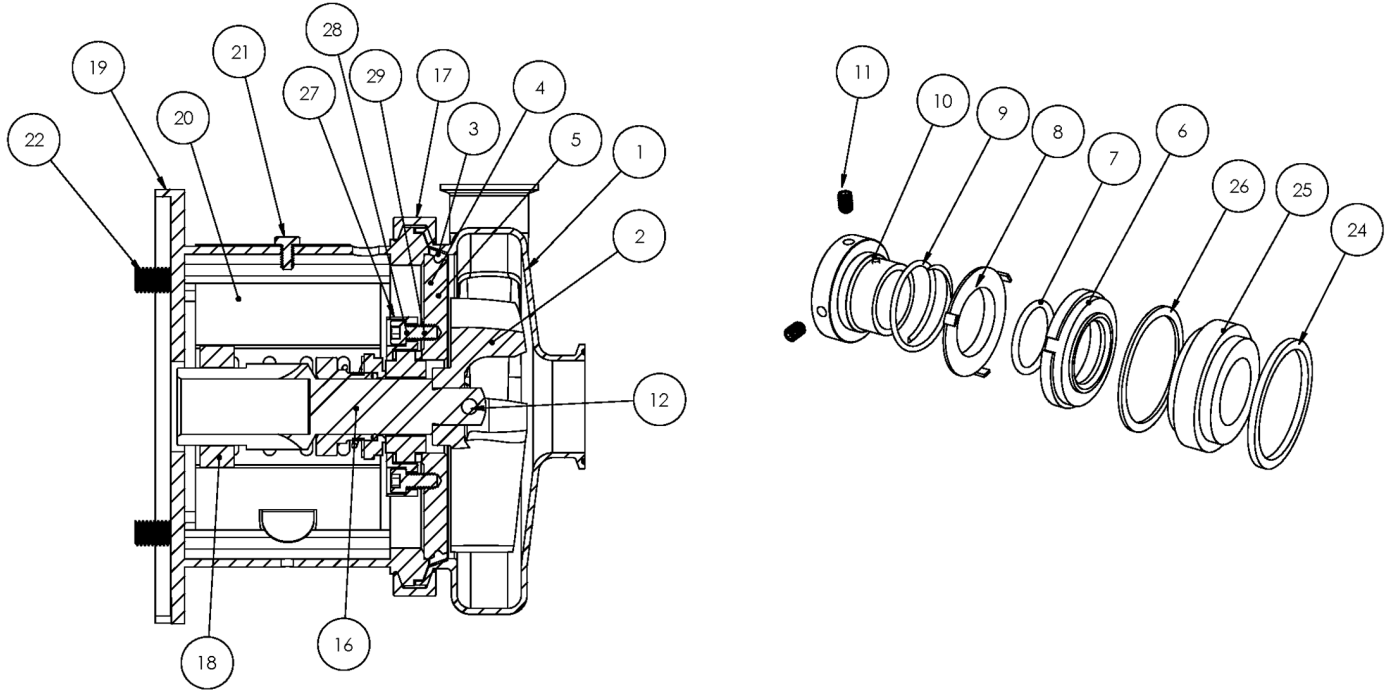


2	Impeller
15	Impeller Key
12	Impeller Nut
16	Stub Shaft
18	Shaft Collar
13	Impeller Nut Gasket
14	Impeller Gasket Back

**AC+ Conversion Kit**

*Optional Items Shown in ITALICS*

Ref #	Component Item No.	Description	Qty Per
1	<b>C+KIT-216/14</b>	<b>KIT,216,140TC,C+CONVRT,BUNA C</b>	<b>1</b>
	<i>C+KIT-216/14-E</i>	<i>KIT,216,140TC,C+CONVRT,EPDM C</i>	<i>1</i>
	<i>C+KIT-216/14-V</i>	<i>KIT,216,140TC,C+CONVRT,VIT C</i>	<i>1</i>

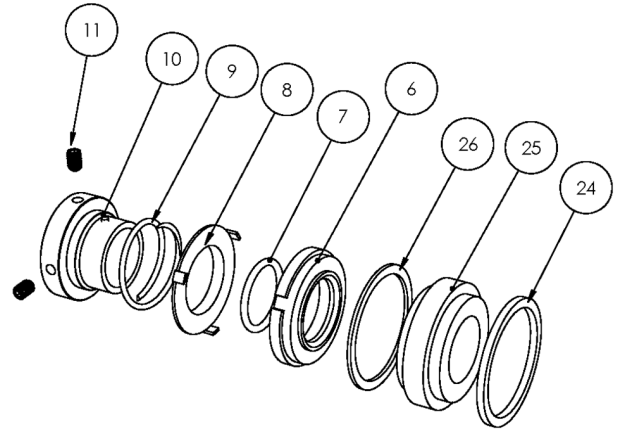
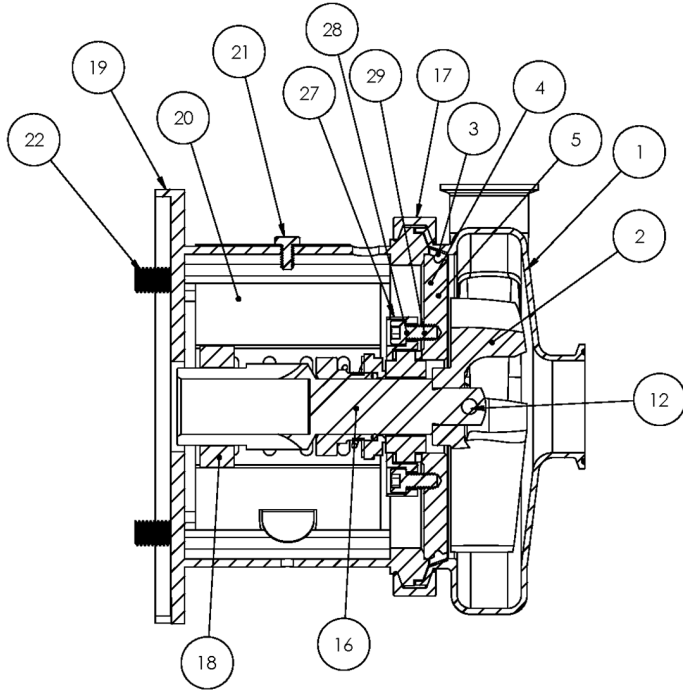


**Exploded View**

*Optional Items Shown in ITALICS*

Ref #	Component Item No.	Description	Qty Per
1	<b>S216M-01C-316L</b>	<b>CASING,2X1-1/2,TRI-CLMP C216/C+216</b>	1
	<i>S216T-01C</i>	<i>CASING,2X1-1/2,BVL SEAT C216/C+216</i>	1
	<i>S216MI-01C</i>	<i>CASING,2X1-1/2,CLMP GLASS BEAD C216/C+216</i>	1
	<i>S216S-01C</i>	<i>CASING,2X1-1/2,NPT C216/C+216</i>	1
	<i>S216F-01D</i>	<i>CASING,2X1-1/2,FLNGD C216/C+216</i>	1
2	<b>S216-02C-316L</b>	<b>IMPELLER,216/316 C UNIVERSAL</b>	1
3	<b>S216-90A-U</b>	<b>GASKET,216,CASING,BUNA C C+</b>	1
	<i>S216-90A-E</i>	<i>GASKET,216,CASING,EPDM C C+</i>	1
	<i>S216-90A-V</i>	<i>GASKET,216,CASING,VIT C C+</i>	1
4	<b>SP216G-11-316L</b>	<b>BACKPLATE,DG,216 C C+</b>	1
5	<b>216D-11-1-S</b>	<b>PIN,BACKPLT,114/216/328 C C+</b>	2
6	<b>216E-80-1A</b>	<b>SEAL,216/316,+2116,CARBON +2116 C C+</b>	1
	<i>216E-80-1SC</i>	<i>SEAL,216,RTRY,SILC CARB C C+</i>	1
7	<b>01-1165-19-U</b>	<b>O-RING,216,SEAL,BUNA C</b>	1
	<i>01-1165-19-E</i>	<i>O-RING,216,SEAL,EPDM C</i>	1
	<i>01-1165-19-V</i>	<i>O-RING,216,SEAL,VITON C</i>	1
8	<b>216D-80-3P</b>	<b>CUP,D,216/316,+216/316/4329 C C+</b>	1
9	<b>216D-80-4</b>	<b>SPRING,D,216/316/+2116 C C+ DB</b>	1
10	<b>SP216D-23P-S</b>	<b>COLLAR,D,+216/+2116DRIVE C+ DB</b>	1
11	<b>SC1105A-SS</b>	<b>SCREW,SET,DRV COLLR,1/4-20X3/8 -SS</b>	2
12	<b>216D-24B-316L</b>	<b>RETAINER,IMPLR</b>	1
16	<b>CS216E18T-06</b>	<b>STUBSHAFT,180TC,UNIVRSL C216</b>	1
17	<b>S216-75AR-S</b>	<b>CLAMP,216,CASING C C+</b>	1
18	<b>SX18000014</b>	<b>COLLAR,180TC,SHAFT LC</b>	1
19	<b>216D18T-71D-SS</b>	<b>ADAPTER,180TC FRAME SS C216/C+216</b>	1
20	<b>C216-18T-131-S</b>	<b>GUARD,SEAL,216/316,SS C C+ IC+ 180TC</b>	1
21	<b>GX5079600</b>	<b>CAPSCRW,HX,1/4-20X1/2,18-8SS HX HD</b>	1

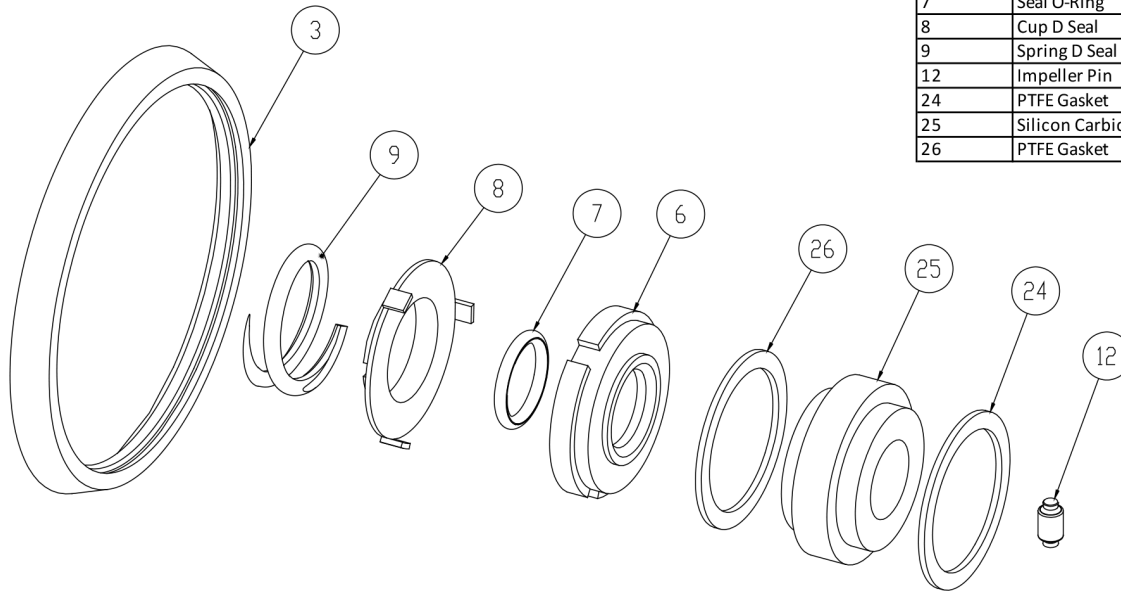




**Exploded View**

*Optional Items Shown in ITALICS*

Ref #	Component Item No.	Description	Qty Per
22	SC1710H-SS	CAPSCRW,HX,1/2-13X1,18-8SS HX HD	4
24	SP216G-80-12AG	GASKET,216/316,DG,THK,PTFE C C+	1
25	SP216G-80-11SC	SEAT,216/316,DG,SEAL,SILC CARB C C+	1
	<i>SP216G-80-11TC</i>	<i>SEAT,216,DG,SEAL,TUNG CARB C C+</i>	1
	<i>SP216G-80-11CER</i>	<i>SEAT,216,DG,SEAL,CERAMIC C C+</i>	1
26	SP216G-80-12G	GASKET,216/316,DG,THN,PTFE C C+	1
27	SP216G-17-316L	RING,216,GLAND,DG C C+	1
28	GX5076004	CAPSCRW,HX,5/16-18X1,8-8SS HX HD	4
29	LWA-1300-SS	WASHER,LOCK,5/16,18-8SS	4

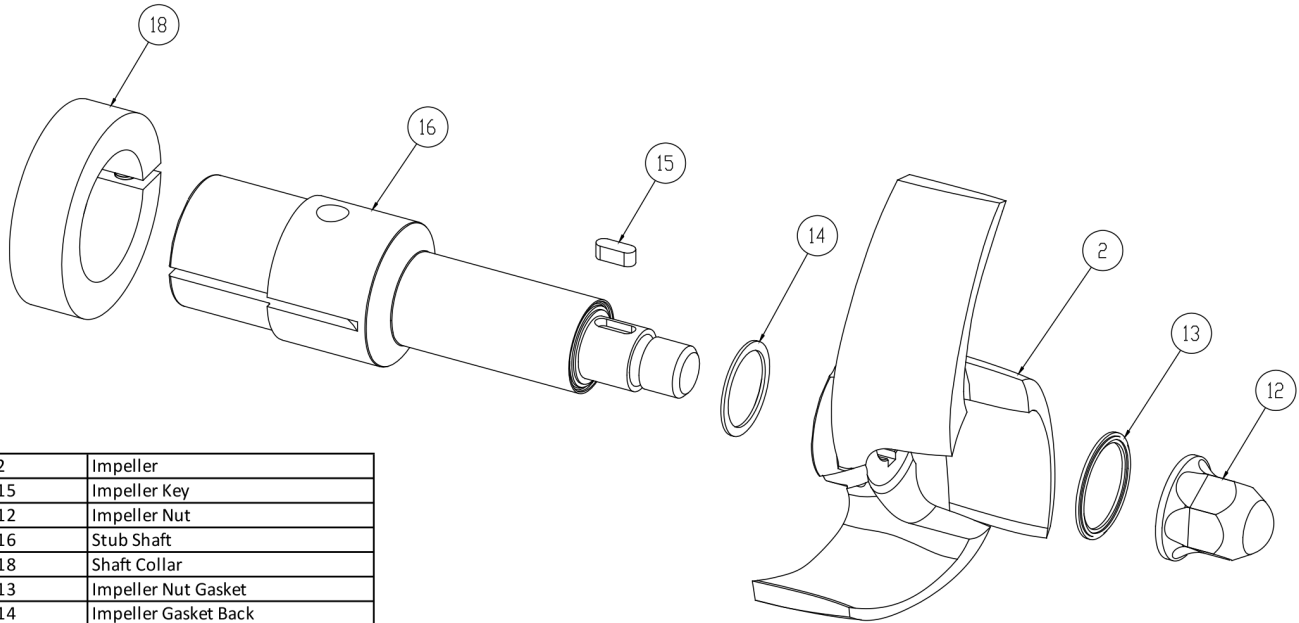


3	Casing Gasket
6	Seal Carbon
7	Seal O-Ring
8	Cup D Seal
9	Spring D Seal
12	Impeller Pin
24	PTFE Gasket
25	Silicon Carbide Seat
26	PTFE Gasket

**Seal Kit DG**

*Optional Items Shown in ITALICS*

Ref #	Component Item No.	Description	Qty Per
1	<b>KITDG-C216-B</b>	<b>KIT,216,DG,SEAL,BUNA C</b>	<b>1</b>
	<i>KITDG-C216-E</i>	<i>KIT,216,DG SEAL,SC,EPDM C</i>	<i>1</i>
	<i>KITDG-C216-S</i>	<i>KIT,216,DG,SEAL,VIT C</i>	<i>1</i>

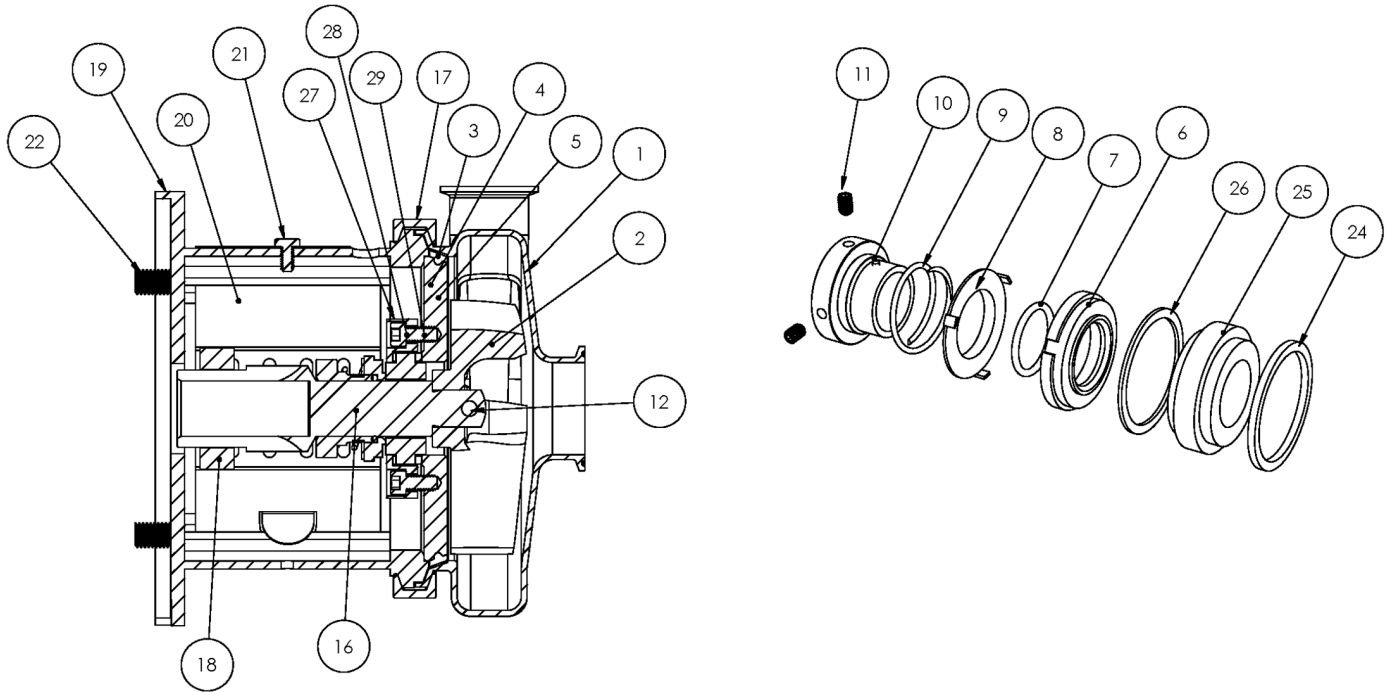


2	Impeller
15	Impeller Key
12	Impeller Nut
16	Stub Shaft
18	Shaft Collar
13	Impeller Nut Gasket
14	Impeller Gasket Back

**AC+ Conversion Kit**

*Optional Items Shown in ITALICS*

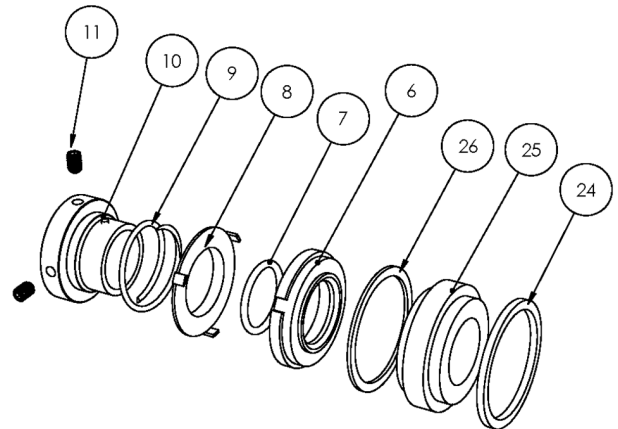
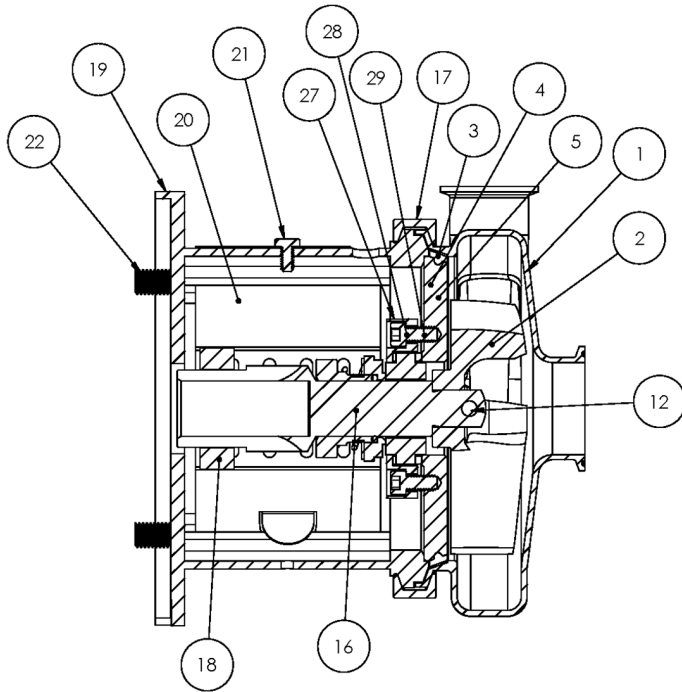
Ref #	Component Item No.	Description	Qty Per
1	<b>C+KIT-216/18</b>	<b>KIT,216,180TC,C+CONVRT,BUNA C</b>	<b>1</b>
	<i>C+KIT-216/18-E</i>	<i>KIT,216,180TC,C+CONVRT,EPDM C</i>	<i>1</i>
	<i>C+KIT-216/18-V</i>	<i>KIT,216,180TC,C+CONVRT,VIT C</i>	<i>1</i>



**Exploded View**

*Optional Items Shown in ITALICS*

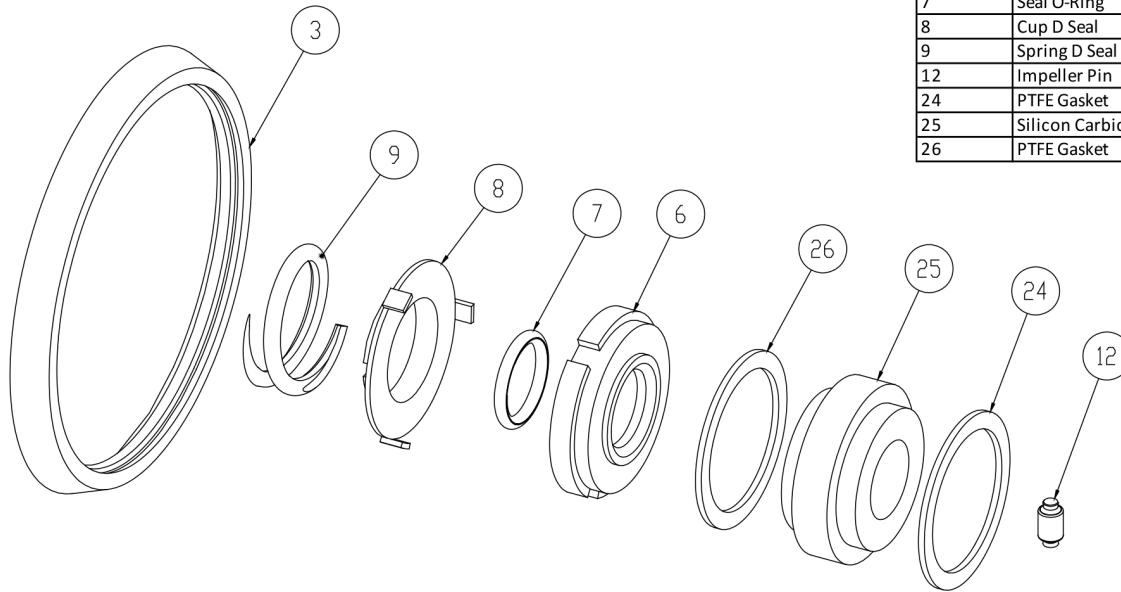
Ref #	Component Item No.	Description	Qty Per
1	<b>S216M-01C-316L</b>	<b>CASING,2X1-1/2,TRI-CLMP C216/C+216</b>	1
	<i>S216T-01C</i>	<i>CASING,2X1-1/2,BVL SEAT C216/C+216</i>	1
	<i>S216MI-01C</i>	<i>CASING,2X1-1/2,CLMP GLASS BEAD C216/C+216</i>	1
	<i>S216S-01C</i>	<i>CASING,2X1-1/2,NPT C216/C+216</i>	1
	<i>S216F-01D</i>	<i>CASING,2X1-1/2,FLNGD C216/C+216</i>	1
2	<b>S216-02C-316L</b>	<b>IMPELLER,216/316 C UNIVERSAL</b>	1
3	<b>S216-90A-U</b>	<b>GASKET,216,CASING,BUNA C C+</b>	1
	<i>S216-90A-E</i>	<i>GASKET,216,CASING,EPDM C C+</i>	1
	<i>S216-90A-V</i>	<i>GASKET,216,CASING,VIT C C+</i>	1
4	<b>SP216G-11-316L</b>	<b>BACKPLATE,DG,216 C C+</b>	1
5	<b>216D-11-1-S</b>	<b>PIN,BACKPLT,114/216/328 C C+</b>	2
6	<b>216E-80-1A</b>	<b>SEAL,216/316,+2116,CARBON +2116 C C+</b>	1
	<i>216E-80-1SC</i>	<i>SEAL,216,RTRY,SILC CARB C C+</i>	1
7	<b>01-1165-19-U</b>	<b>O-RING,216,SEAL,BUNA C</b>	1
	<i>01-1165-19-E</i>	<i>O-RING,216,SEAL,EPDM C</i>	1
	<i>01-1165-19-V</i>	<i>O-RING,216,SEAL,VITON C</i>	1
8	<b>216D-80-3P</b>	<b>CUP,D,216/316,+216/316/4329 C C+</b>	1
9	<b>216D-80-4</b>	<b>SPRING,D,216/316/+2116 C C+ DB</b>	1
10	<b>SP216D-23P-S</b>	<b>COLLAR,D,+216/+2116DRIVE C+ DB</b>	1
11	<b>SC1105A-SS</b>	<b>SCREW,SET,DRV COLLR,1/4-20X3/8 -SS</b>	2
12	<b>216D-24B-316L</b>	<b>RETAINER,IMPLR</b>	1
16	<b>CS216E21T-06</b>	<b>STUBSHAFT,210TC,UNIVRSL C216</b>	1
17	<b>S216-75AR-S</b>	<b>CLAMP,216,CASING C C+</b>	1
18	<b>SX18000015</b>	<b>COLLAR,210TC,SHAFT LC</b>	1
19	<b>216E21T-71D-SS</b>	<b>ADAPTER,210TC FRAME,SS C216/C+216</b>	1
20	<b>C216-21T-131B-S</b>	<b>GUARD,SEAL,216/316/+2116,SS C C+ 210TC</b>	1
21	<b>GX5079600</b>	<b>CAPSCRW,HX,1/4-20X1/2,18-8SS HX HD</b>	1



**Exploded View**

*Optional Items Shown in ITALICS*

Ref #	Component Item No.	Description	Qty Per
22	SC1710H-SS	CAPSCRW,HX,1/2-13X1,18-8SS HX HD	4
24	SP216G-80-12AG	GASKET,216/316,DG,THK,PTFE C C+	1
25	SP216G-80-11SC	SEAT,216/316,DG,SEAL,SILC CARB C C+	1
	<i>SP216G-80-11TC</i>	<i>SEAT,216,DG,SEAL,TUNG CARB C C+</i>	1
	<i>SP216G-80-11CER</i>	<i>SEAT,216,DG,SEAL,CERAMIC C C+</i>	1
26	SP216G-80-12G	GASKET,216/316,DG,THN,PTFE C C+	1
27	SP216G-17-316L	RING,216,GLAND,DG C C+	1
28	GX5076004	CAPSCRW,HX,5/16-18X1,8-8SS HX HD	4
29	LWA-1300-SS	WASHER,LOCK,5/16,18-8SS	4

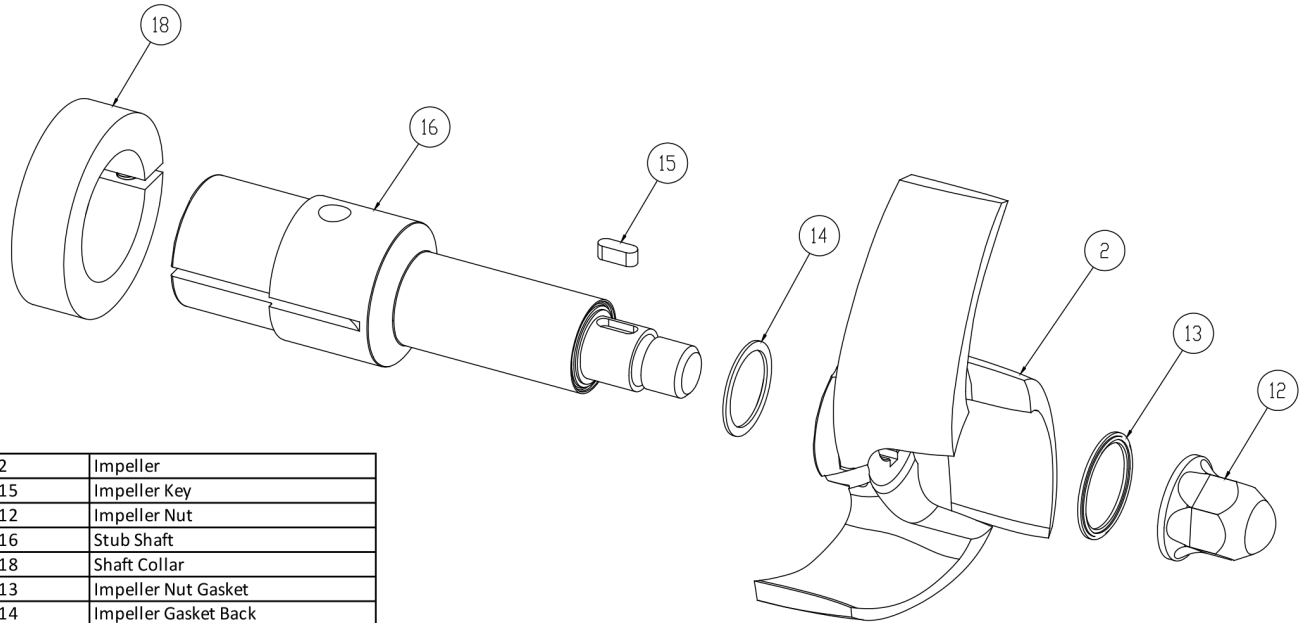


3	Casing Gasket
6	Seal Carbon
7	Seal O-Ring
8	Cup D Seal
9	Spring D Seal
12	Impeller Pin
24	PTFE Gasket
25	Silicon Carbide Seat
26	PTFE Gasket

**Seal Kit DG**

*Optional Items Shown in ITALICS*

Ref #	Component Item No.	Description	Qty Per
1	<b>KITDG-C216-B</b>	<b>KIT,216,DG,SEAL,BUNA C</b>	<b>1</b>
	<i>KITDG-C216-E</i>	<i>KIT,216,DG SEAL,SC,EPDM C</i>	<i>1</i>
	<i>KITDG-C216-S</i>	<i>KIT,216,DG,SEAL,VIT C</i>	<i>1</i>

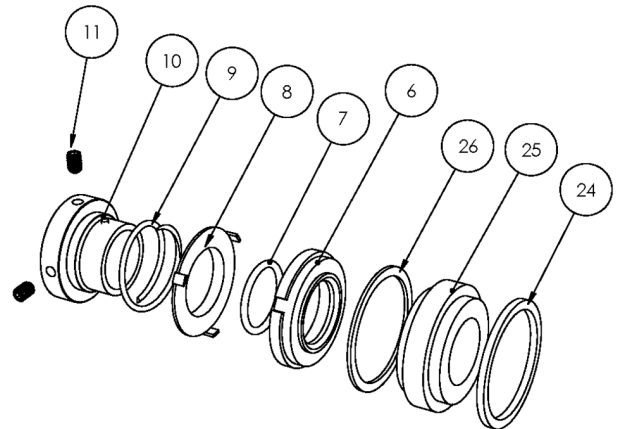
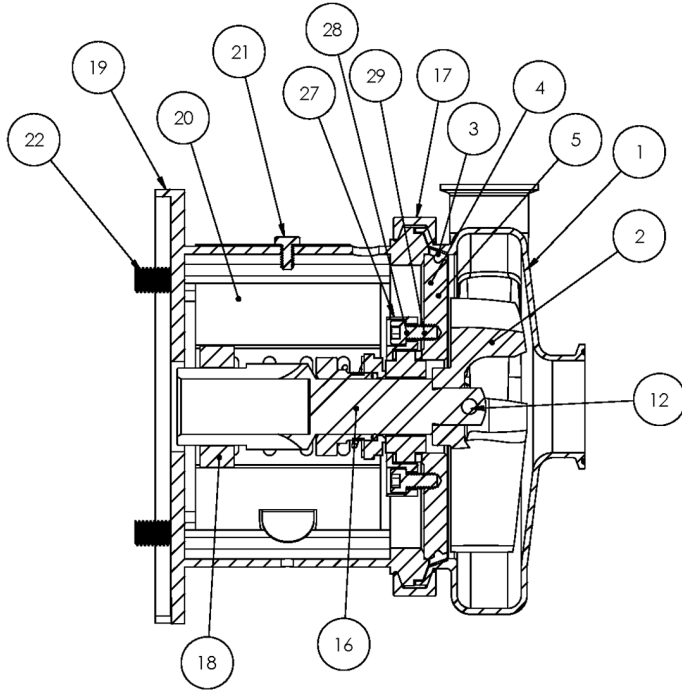


2	Impeller
15	Impeller Key
12	Impeller Nut
16	Stub Shaft
18	Shaft Collar
13	Impeller Nut Gasket
14	Impeller Gasket Back

**AC+ Conversion Kit**

*Optional Items Shown in ITALICS*

Ref #	Component Item No.	Description	Qty Per
1	<b>C+KIT-216/21</b>	<b>KIT,216,210TC,C+CONVRT,BUNA C</b>	<b>1</b>
	<i>C+KIT-216/21-E</i>	<i>KIT,216,210TC,C+CONVRT,EPDM C</i>	<i>1</i>
	<i>C+KIT-216/21-V</i>	<i>KIT,216,210TC,C+CONVRT,VIT C</i>	<i>1</i>

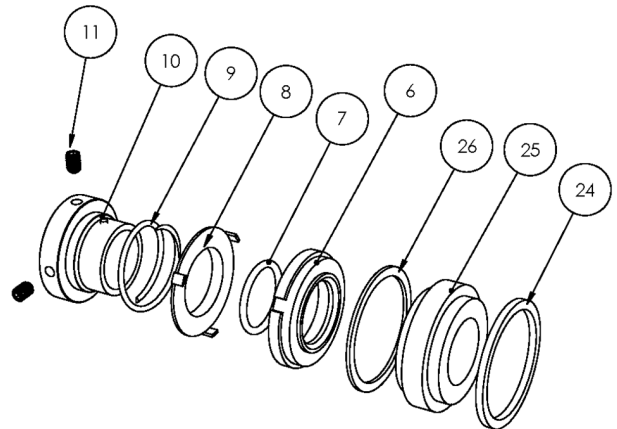
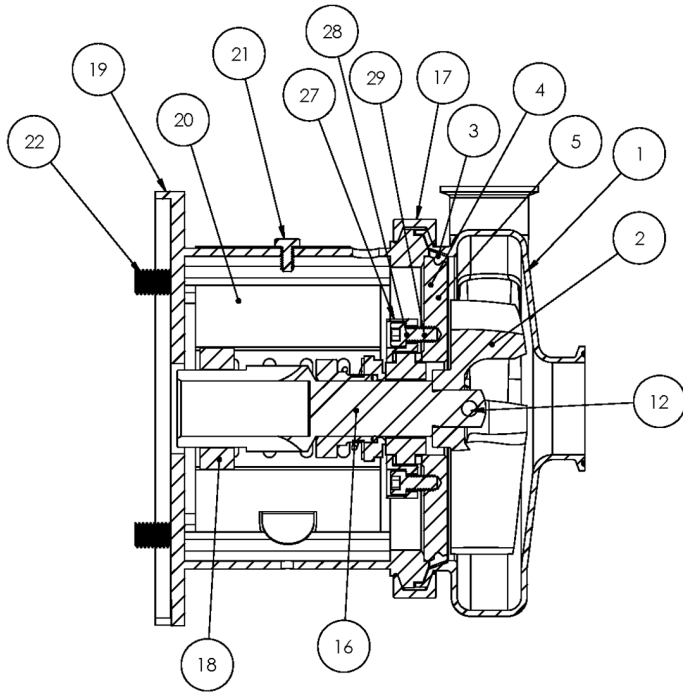


**Exploded View**

*Optional Items Shown in ITALICS*

Ref #	Component Item No.	Description	Qty Per
1	<b>S216M-01C-316L</b>	<b>CASING,2X1-1/2,TRI-CLMP C216/C+216</b>	1
	<i>S216T-01C</i>	<i>CASING,2X1-1/2,BVL SEAT C216/C+216</i>	1
	<i>S216MI-01C</i>	<i>CASING,2X1-1/2,CLMP GLASS BEAD C216/C+216</i>	1
	<i>S216S-01C</i>	<i>CASING,2X1-1/2,NPT C216/C+216</i>	1
	<i>S216F-01D</i>	<i>CASING,2X1-1/2,FLNGD C216/C+216</i>	1
2	<b>S216-02C-316L</b>	<b>IMPELLER,216/316 C UNIVERSAL</b>	1
3	<b>S216-90A-U</b>	<b>GASKET,216,CASING,BUNA C C+</b>	1
	<i>S216-90A-E</i>	<i>GASKET,216,CASING,EPDM C C+</i>	1
	<i>S216-90A-V</i>	<i>GASKET,216,CASING,VIT C C+</i>	1
4	<b>SP216G-11-316L</b>	<b>BACKPLATE,DG,216 C C+</b>	1
5	<b>216D-11-1-S</b>	<b>PIN,BACKPLT,114/216/328 C C+</b>	2
6	<b>216E-80-1A</b>	<b>SEAL,216/316,+2116,CARBON +2116 C C+</b>	1
	<i>216E-80-1SC</i>	<i>SEAL,216,RTRY,SILC CARB C C+</i>	1
7	<b>01-1165-19-U</b>	<b>O-RING,216,SEAL,BUNA C</b>	1
	<i>01-1165-19-E</i>	<i>O-RING,216,SEAL,EPDM C</i>	1
	<i>01-1165-19-V</i>	<i>O-RING,216,SEAL,VITON C</i>	1
8	<b>216D-80-3P</b>	<b>CUP,D,216/316,+216/316/4329 C C+</b>	1
9	<b>216D-80-4</b>	<b>SPRING,D,216/316/+2116 C C+ DB</b>	1
10	<b>SP216D-23P-S</b>	<b>COLLAR,D,+216/+2116DRIVE C+ DB</b>	1
11	<b>SC1105A-SS</b>	<b>SCREW,SET,DRV COLLR,1/4-20X3/8 -SS</b>	2
12	<b>216D-24B-316L</b>	<b>RETAINER,IMPLR</b>	1
16	<b>CS216E25T-06</b>	<b>STUBSHAFT,250TC,UNIVRSL C216</b>	1
17	<b>S216-75AR-S</b>	<b>CLAMP,216,CASING C C+</b>	1
18	<b>SX18000016</b>	<b>COLLAR,250TC/280TSC,SHAFT LC</b>	1
19	<b>216E25T-71D-SS</b>	<b>ADAPTER,250TC FRAME,SS C216/C+216</b>	1
20	<b>C216-21T-131B-S</b>	<b>GUARD,SEAL,216/316/+2116,SS C C+ 210TC</b>	1
21	<b>GX5079600</b>	<b>CAPSCRW,HX,1/4-20X1/2,18-8SS HX HD</b>	1

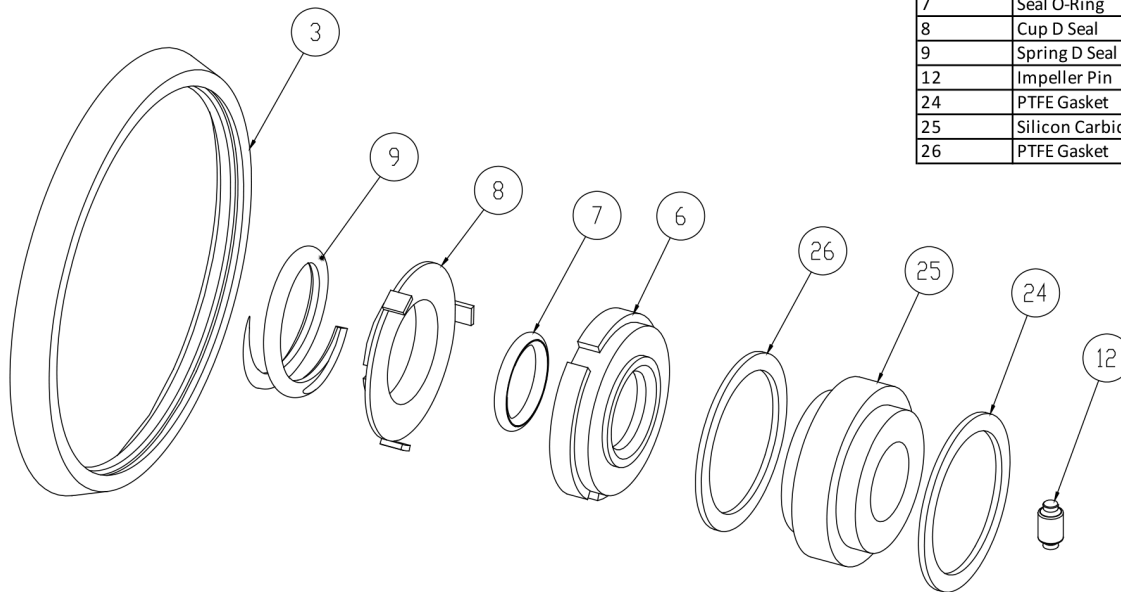




**Exploded View**

*Optional Items Shown in ITALICS*

Ref #	Component Item No.	Description	Qty Per
22	SC1710H-SS	CAPSCRW,HX,1/2-13X1,18-8SS HX HD	4
24	SP216G-80-12AG	GASKET,216/316,DG,THK,PTFE C C+	1
25	SP216G-80-11SC	SEAT,216/316,DG,SEAL,SILC CARB C C+	1
	<i>SP216G-80-11TC</i>	<i>SEAT,216,DG,SEAL,TUNG CARB C C+</i>	1
	<i>SP216G-80-11CER</i>	<i>SEAT,216,DG,SEAL,CERAMIC C C+</i>	1
26	SP216G-80-12G	GASKET,216/316,DG,THN,PTFE C C+	1
27	SP216G-17-316L	RING,216,GLAND,DG C C+	1
28	GX5076004	CAPSCRW,HX,5/16-18X1,8-8SS HX HD	4
29	LWA-1300-SS	WASHER,LOCK,5/16,18-8SS	4

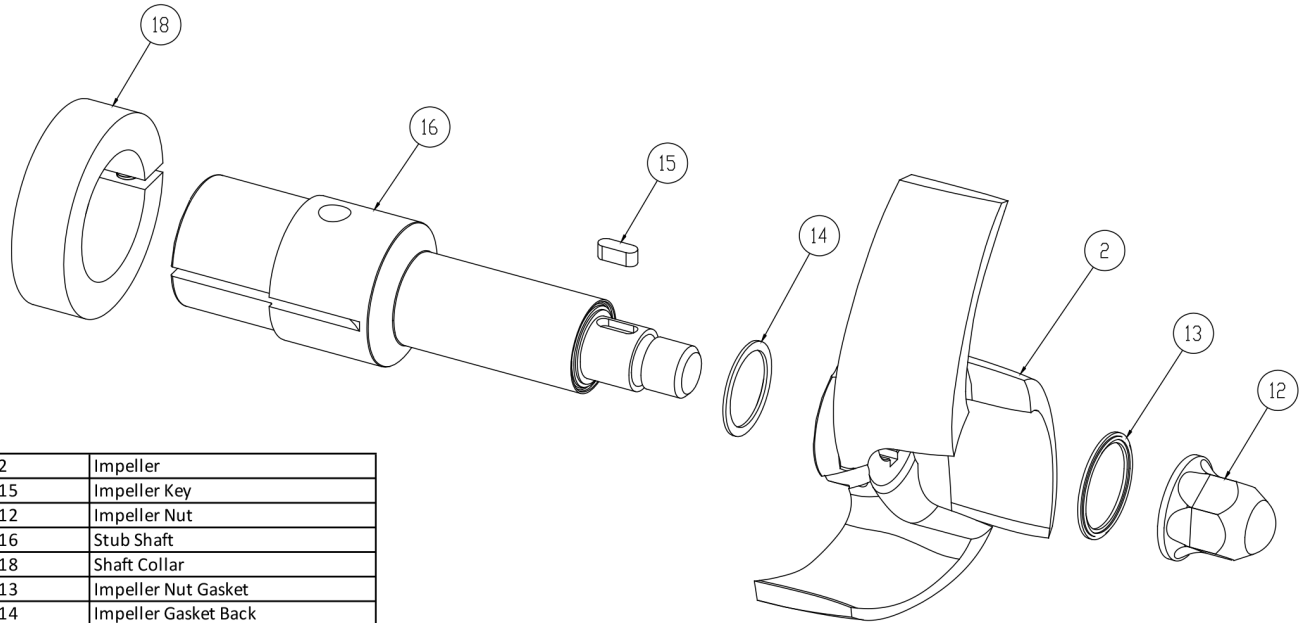


3	Casing Gasket
6	Seal Carbon
7	Seal O-Ring
8	Cup D Seal
9	Spring D Seal
12	Impeller Pin
24	PTFE Gasket
25	Silicon Carbide Seat
26	PTFE Gasket

**Seal Kit DG**

*Optional Items Shown in ITALICS*

Ref #	Component Item No.	Description	Qty Per
1	<b>KITDG-C216-B</b>	<b>KIT,216,DG,SEAL,BUNA C</b>	<b>1</b>
	<i>KITDG-C216-E</i>	<i>KIT,216,DG SEAL,SC,EPDM C</i>	<i>1</i>
	<i>KITDG-C216-S</i>	<i>KIT,216,DG,SEAL,VIT C</i>	<i>1</i>

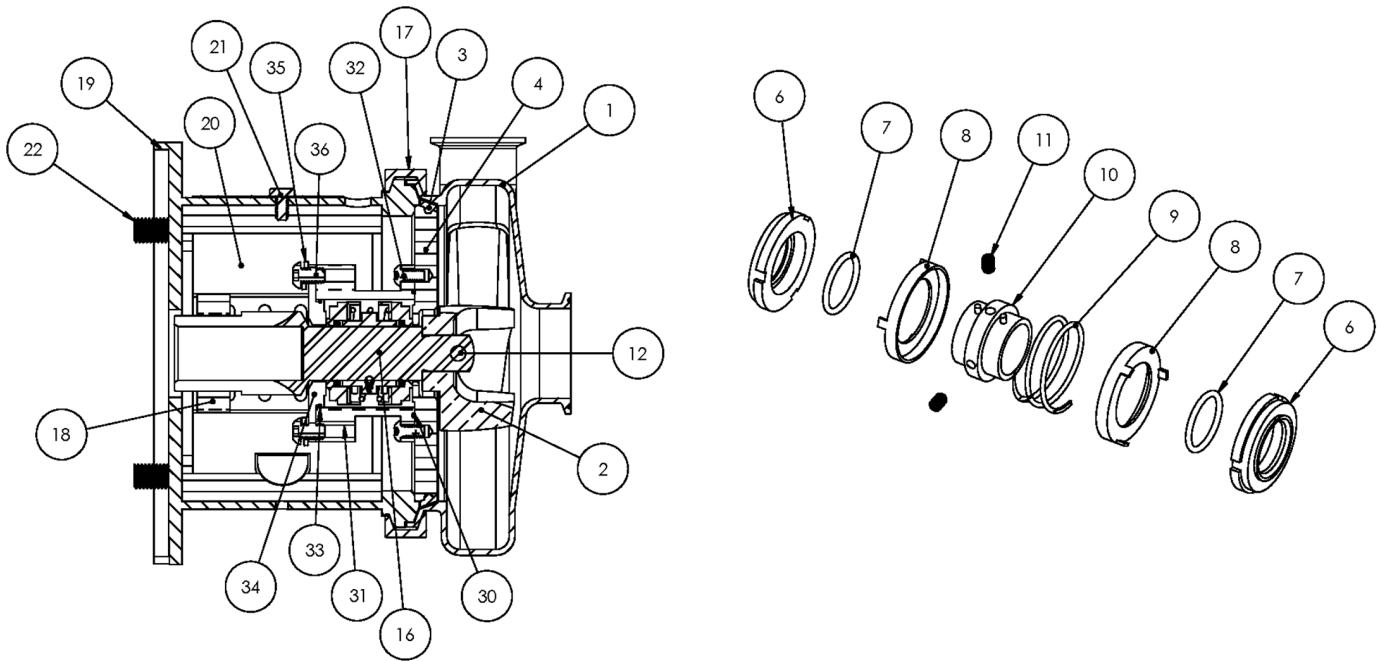


2	Impeller
15	Impeller Key
12	Impeller Nut
16	Stub Shaft
18	Shaft Collar
13	Impeller Nut Gasket
14	Impeller Gasket Back

**AC+ Conversion Kit**

*Optional Items Shown in ITALICS*

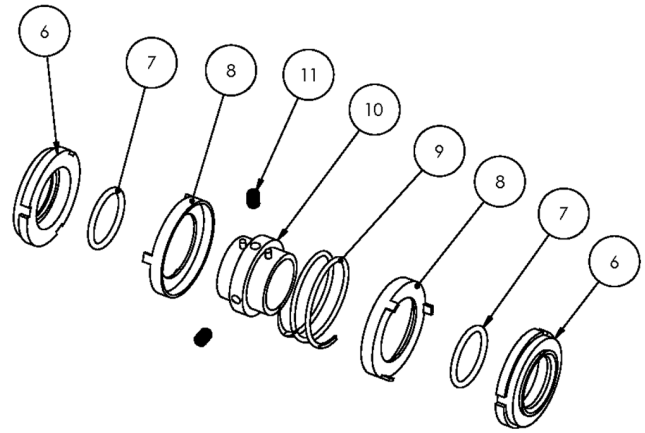
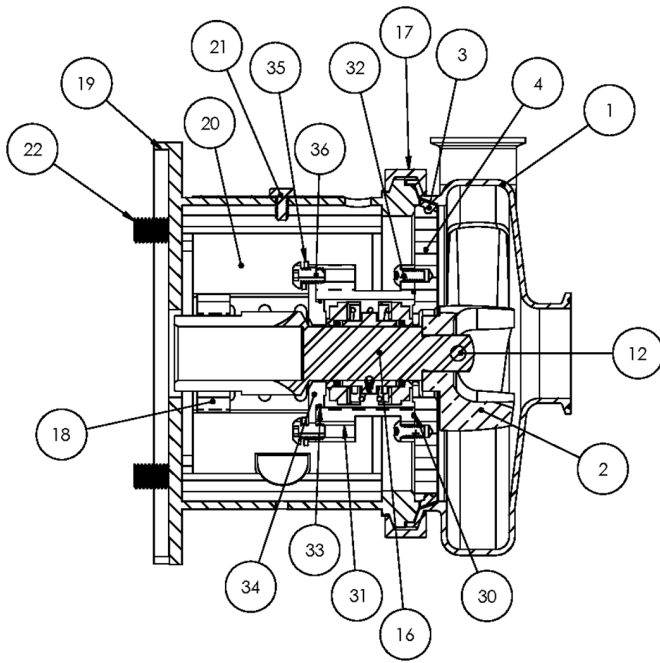
Ref #	Component Item No.	Description	Qty Per
1	<b>C+KIT-216/25</b>	<b>KIT,216,250TC,C+CONVRT,BUNA C</b>	<b>1</b>
	<i>C+KIT-216/25-E</i>	<i>KIT,216,250TC,C+CONVRT,EPDM C</i>	<i>1</i>
	<i>C+KIT-216/25-V</i>	<i>KIT,216,250TC,C+CONVRT,VIT C</i>	<i>1</i>



**Exploded View**

*Optional Items Shown in ITALICS*

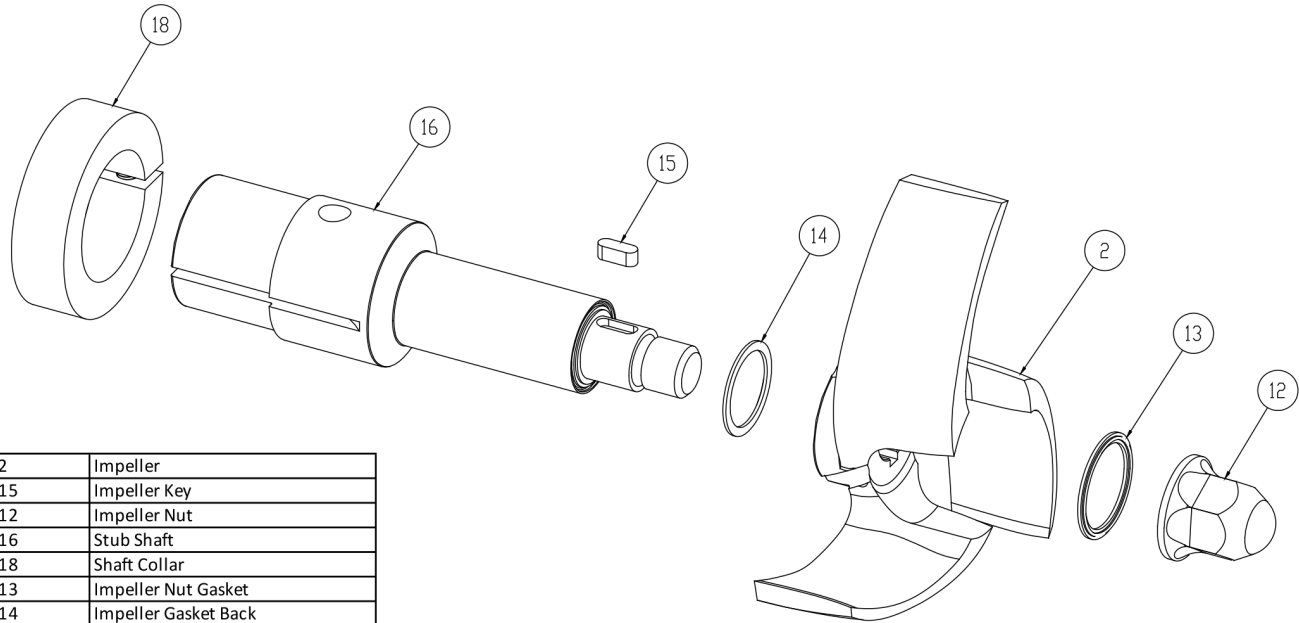
Ref #	Component Item No.	Description	Qty Per
1	<b>S216M-01C-316L</b>	<b>CASING,2X1-1/2,TRI-CLMP C216/C+216</b>	1
	<i>S216T-01C</i>	<i>CASING,2X1-1/2,BVL SEAT C216/C+216</i>	1
	<i>S216MI-01C</i>	<i>CASING,2X1-1/2,CLMP GLASS BEAD C216/C+216</i>	1
	<i>S216S-01C</i>	<i>CASING,2X1-1/2,NPT C216/C+216</i>	1
	<i>S216F-01D</i>	<i>CASING,2X1-1/2,FLNGD C216/C+216</i>	1
2	<b>S216-02C-316L</b>	<b>IMPELLER,216/316 C UNIVERSAL</b>	1
3	<b>S216-90A-U</b>	<b>GASKET,216,CASING,BUNA C C+</b>	1
	<i>S216-90A-E</i>	<i>GASKET,216,CASING,EPDM C C+</i>	1
	<i>S216-90A-V</i>	<i>GASKET,216,CASING,VIT C C+</i>	1
4	<b>216E-11B-316</b>	<b>BACKPLATE,E,216 C C+</b>	1
6	<b>216E-80-1A</b>	<b>SEAL,216/316,+2116,CARBON +2116 C C+</b>	2
7	<b>01-1165-19-U</b>	<b>O-RING,216,SEAL,BUNA C</b>	2
	<i>01-1165-19-E</i>	<i>O-RING,216,SEAL,EPDM C</i>	2
	<i>01-1165-19-V</i>	<i>O-RING,216,SEAL,VITON C</i>	2
8	<b>216E-80-3P</b>	<b>CUP,E,216/316,+216/316 C C+</b>	2
9	<b>216E-80-4A</b>	<b>SPRING,E,216/316 C C+</b>	1
10	<b>216E-23-316L</b>	<b>COLLAR,E,216/316,DRIVE C C+</b>	1
11	<b>SC1103A-SS</b>	<b>SCREW,SET,1/4-20X1/4 E BALANCED</b>	2
12	<b>216D-24B-316L</b>	<b>RETAINER,IMPLR</b>	1
16	<b>CS216E56T-06</b>	<b>STUBSHAFT,56C,UNIVRSL C216</b>	1
17	<b>S216-75AR-S</b>	<b>CLAMP,216,CASING C C+</b>	1
18	<b>SX18000013</b>	<b>COLLAR,56C/140TC,SHAFT L SEE ITEM NOTES</b>	1
19	<b>216D56T-71C-SS</b>	<b>ADAPTER,56C-140TC,SS C216/C+216</b>	1
20	<b>C216-56T-131-S</b>	<b>GUARD,SEAL,216/316,SS C C+ CB+ IC+ 56C-140TC</b>	1
22	<b>GX5077100</b>	<b>CAPSCRW,HX,3/8-16X1,18-8SS HX HD</b>	4
	<b>SC1710H-SS</b>	<b>CAPSCRW,HX,1/2-13X1,18-8SS HX HD</b>	4
30	<b>17-122-U</b>	<b>O-RING,216,STUFF BX,BUNA C</b>	1



**Exploded View**

*Optional Items Shown in ITALICS*

Ref #	Component Item No.	Description	Qty Per
30	17-122-E	O-RING,216,STUFF BX,EPDM C	1
	17-122-V	O-RING,216,STUFF BX,VITON C	1
31	216E-83B-316	STUFFING BOX,E,216 C C+	1
32	SC1106E-SS	CAPSCRW,BH,1/4-20X1/2,18-8SS BUTTON HD	4
33	17-275-U	O-RING,216,FOLLOWER,BUNA C C+	1
	17-275-E	O-RING,216,FOLLOWER,EPDM C	1
	17-275-V	O-RING,216,FOLLOWER,VIT C	1
34	216E-17-316	FOLLOWER,E,216/+216 C C+	1
35	LWA-1300-SS	WASHER,LOCK,5/16,18-8SS	4
36	SC1308H-SS	CAPSCRW,BH,5/16-18 X1/2,18-8SS BUTTON HD	4

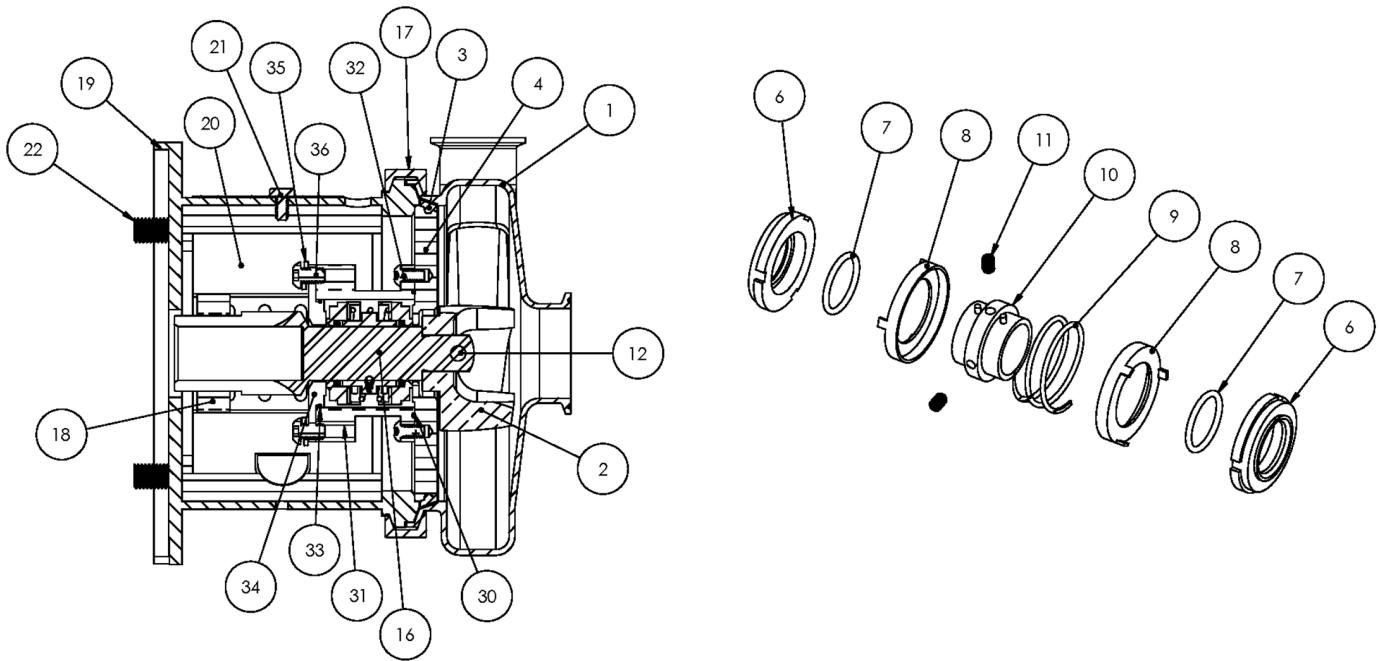


2	Impeller
15	Impeller Key
12	Impeller Nut
16	Stub Shaft
18	Shaft Collar
13	Impeller Nut Gasket
14	Impeller Gasket Back

**AC+ Conversion Kit**

*Optional Items Shown in ITALICS*

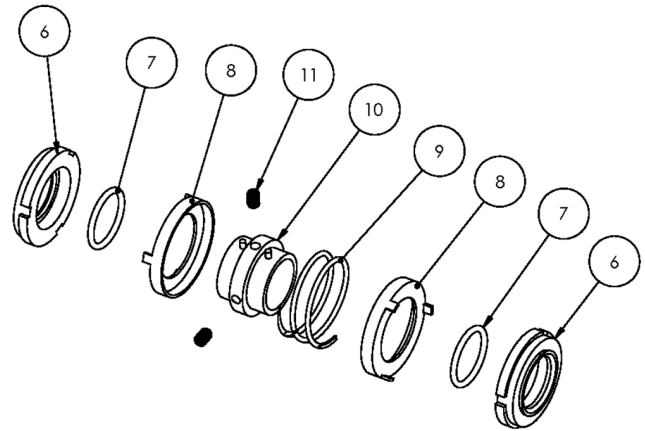
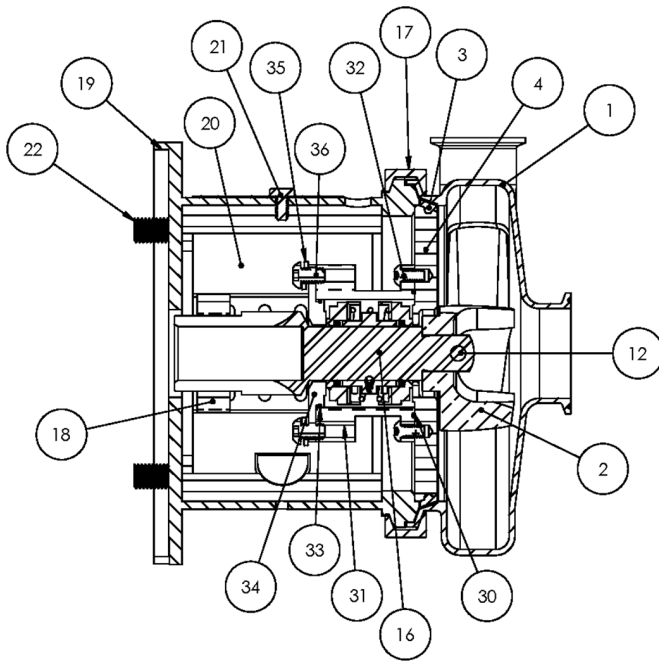
Ref #	Component Item No.	Description	Qty Per
1	<b>C+KIT-216/56</b>	<b>KIT,216,56TC,C+CONVRT,BUNA C</b>	<b>1</b>
	<i>C+KIT-216/56-E</i>	<i>KIT,216,56TC,C+CONVRT,EPDM C</i>	<i>1</i>
	<i>C+KIT-216/56-V</i>	<i>KIT,216,56TC,C+CONVRT,VIT CL VI C</i>	<i>1</i>



**Exploded View**

*Optional Items Shown in ITALICS*

Ref #	Component Item No.	Description	Qty Per
1	<b>S216M-01C-316L</b>	<b>CASING,2X1-1/2,TRI-CLMP C216/C+216</b>	1
	<i>S216T-01C</i>	<i>CASING,2X1-1/2,BVL SEAT C216/C+216</i>	1
	<i>S216MI-01C</i>	<i>CASING,2X1-1/2,CLMP GLASS BEAD C216/C+216</i>	1
	<i>S216S-01C</i>	<i>CASING,2X1-1/2,NPT C216/C+216</i>	1
	<i>S216F-01D</i>	<i>CASING,2X1-1/2,FLNGD C216/C+216</i>	1
2	<b>S216-02C-316L</b>	<b>IMPELLER,216/316 C UNIVERSAL</b>	1
3	<b>S216-90A-U</b>	<b>GASKET,216,CASING,BUNA C C+</b>	1
	<i>S216-90A-E</i>	<i>GASKET,216,CASING,EPDM C C+</i>	1
	<i>S216-90A-V</i>	<i>GASKET,216,CASING,VIT C C+</i>	1
4	<b>216E-11B-316</b>	<b>BACKPLATE,E,216 C C+</b>	1
6	<b>216E-80-1A</b>	<b>SEAL,216/316,+2116,CARBON +2116 C C+</b>	2
7	<b>01-1165-19-U</b>	<b>O-RING,216,SEAL,BUNA C</b>	2
	<i>01-1165-19-E</i>	<i>O-RING,216,SEAL,EPDM C</i>	2
	<i>01-1165-19-V</i>	<i>O-RING,216,SEAL,VITON C</i>	2
8	<b>216E-80-3P</b>	<b>CUP,E,216/316,+216/316 C C+</b>	2
9	<b>216E-80-4A</b>	<b>SPRING,E,216/316 C C+</b>	1
10	<b>216E-23-316L</b>	<b>COLLAR,E,216/316,DRIVE C C+</b>	1
11	<b>SC1103A-SS</b>	<b>SCREW,SET,1/4-20X1/4 E BALANCED</b>	2
12	<b>216D-24B-316L</b>	<b>RETAINER,IMPLR</b>	1
16	<b>CS216E14T-06</b>	<b>STUBSHAFT,140TC,UNIVRSL C216</b>	1
17	<b>S216-75AR-S</b>	<b>CLAMP,216,CASING C C+</b>	1
18	<b>SX18000013</b>	<b>COLLAR,56C/140TC,SHAFT L SEE ITEM NOTES</b>	1
19	<b>216D56T-71C-SS</b>	<b>ADAPTER,56C-140TC,SS C216/C+216</b>	1
20	<b>C216-56T-131-S</b>	<b>GUARD,SEAL,216/316,SS C C+ CB+ IC+ 56C-140TC</b>	1
22	<b>SC1710H-SS</b>	<b>CAPSCRW,HX,1/2-13X1,18-8SS HX HD</b>	4
30	<b>17-122-U</b>	<b>O-RING,216,STUFF BX,BUNA C</b>	1
	<i>17-122-E</i>	<i>O-RING,216,STUFF BX,EPDM C</i>	1

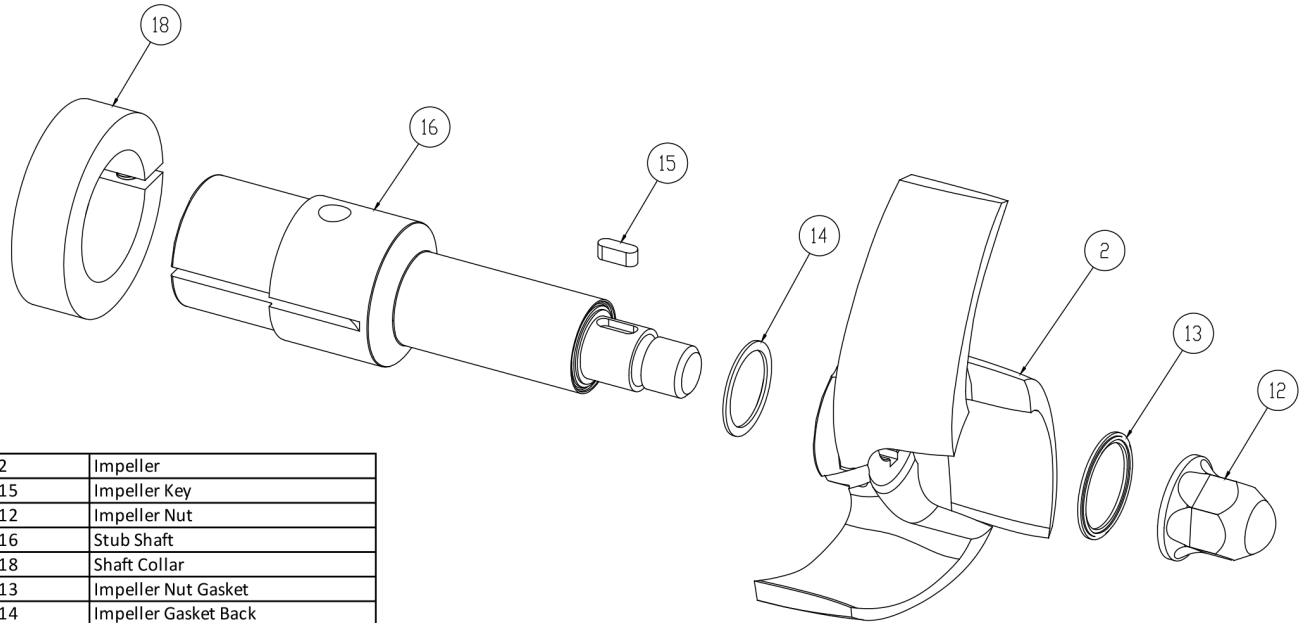


**Exploded View**

*Optional Items Shown in ITALICS*

Ref #	Component Item No.	Description	Qty Per
30	17-122-V	O-RING,216,STUFF BX,VITON C	1
31	216E-83B-316	STUFFING BOX,E,216 C C+	1
32	SC1106E-SS	CAPSCRW,BH,1/4-20X1/2,18-8SS BUTTON HD	4
33	17-275-U	O-RING,216,FOLLOWER,BUNA C C+	1
	17-275-E	O-RING,216,FOLLOWER,EPDM C	1
	17-275-V	O-RING,216,FOLLOWER,VIT C	1
34	216E-17-316	FOLLOWER,E,216/+216 C C+	1
35	LWA-1300-SS	WASHER,LOCK,5/16,18-8SS	4
36	SC1308H-SS	CAPSCRW,BH,5/16-18 X1/2,18-8SS BUTTON HD	4



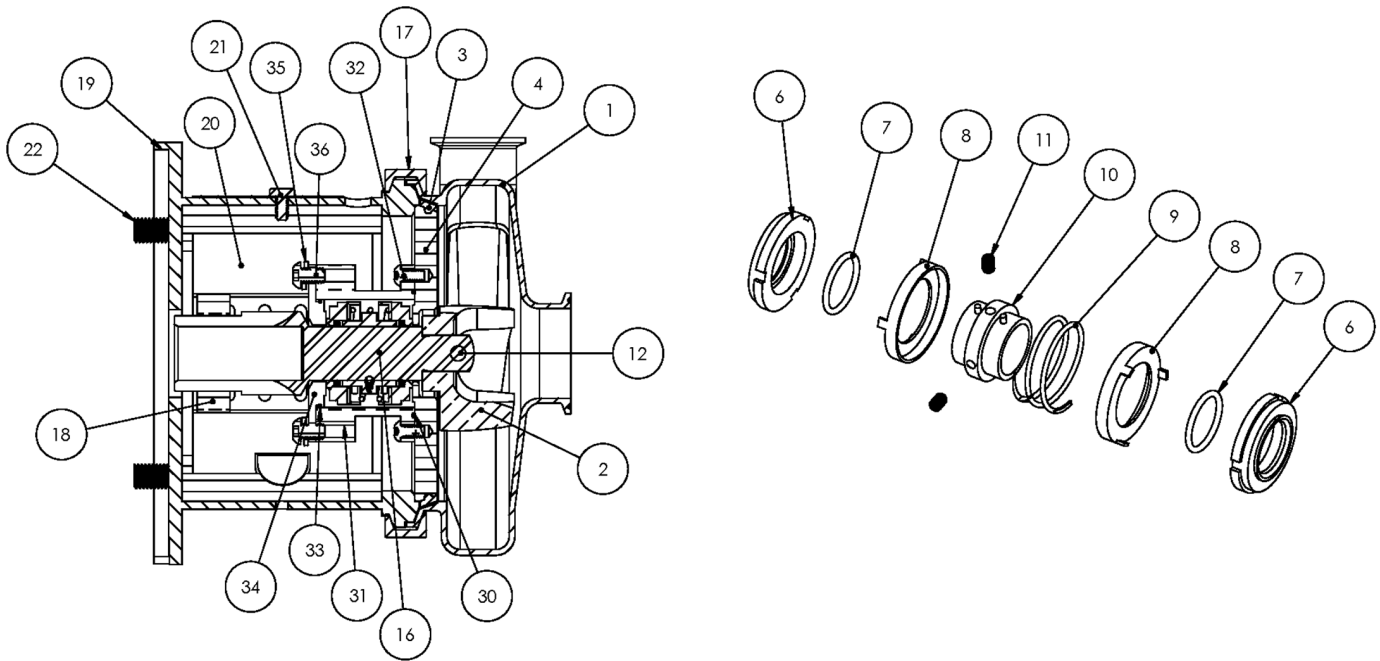


2	Impeller
15	Impeller Key
12	Impeller Nut
16	Stub Shaft
18	Shaft Collar
13	Impeller Nut Gasket
14	Impeller Gasket Back

**AC+ Conversion Kit**

*Optional Items Shown in ITALICS*

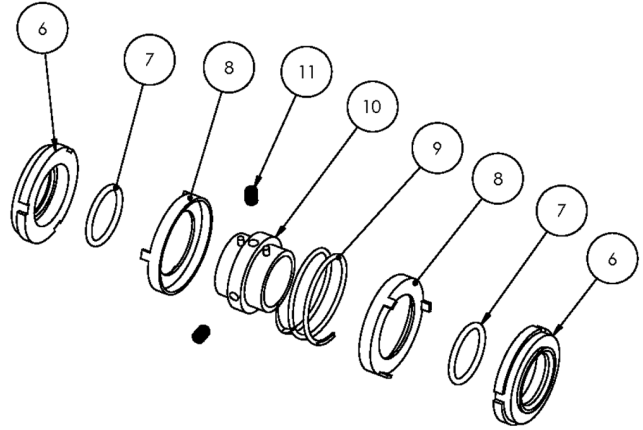
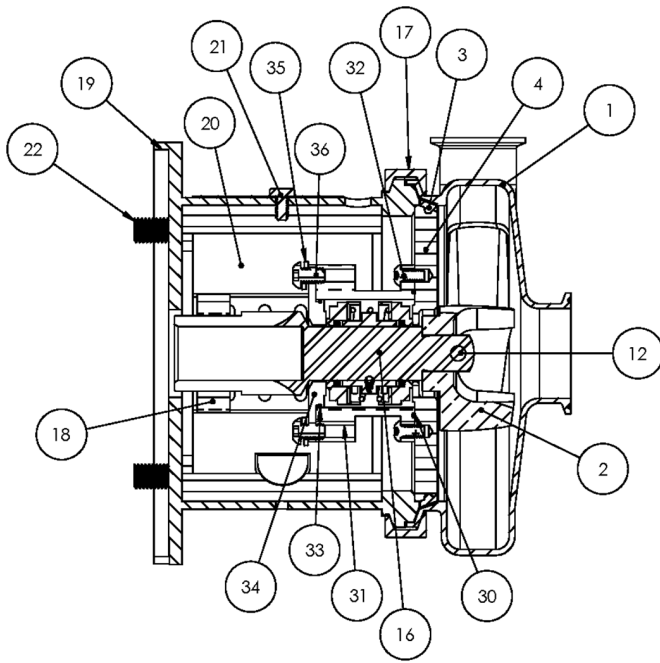
Ref #	Component Item No.	Description	Qty Per
1	<b>C+KIT-216/14</b>	<b>KIT,216,140TC,C+CONVRT,BUNA C</b>	<b>1</b>
	<i>C+KIT-216/14-E</i>	<i>KIT,216,140TC,C+CONVRT,EPDM C</i>	<i>1</i>
	<i>C+KIT-216/14-V</i>	<i>KIT,216,140TC,C+CONVRT,VIT C</i>	<i>1</i>



**Exploded View**

*Optional Items Shown in ITALICS*

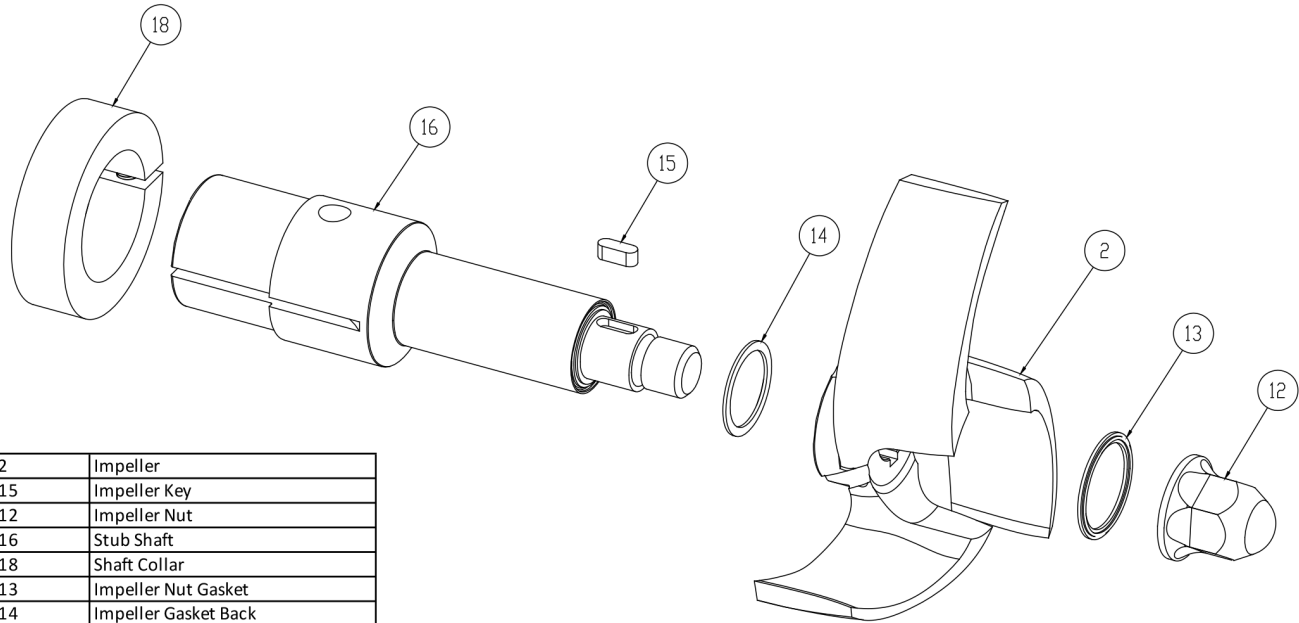
Ref #	Component Item No.	Description	Qty Per
1	<b>S216M-01C-316L</b>	<b>CASING,2X1-1/2,TRI-CLMP C216/C+216</b>	1
	<i>S216T-01C</i>	<i>CASING,2X1-1/2,BVL SEAT C216/C+216</i>	1
	<i>S216MI-01C</i>	<i>CASING,2X1-1/2,CLMP GLASS BEAD C216/C+216</i>	1
	<i>S216S-01C</i>	<i>CASING,2X1-1/2,NPT C216/C+216</i>	1
	<i>S216F-01D</i>	<i>CASING,2X1-1/2,FLNGD C216/C+216</i>	1
2	<b>S216-02C-316L</b>	<b>IMPELLER,216/316 C UNIVERSAL</b>	1
3	<b>S216-90A-U</b>	<b>GASKET,216,CASING,BUNA C C+</b>	1
	<i>S216-90A-E</i>	<i>GASKET,216,CASING,EPDM C C+</i>	1
	<i>S216-90A-V</i>	<i>GASKET,216,CASING,VIT C C+</i>	1
4	<b>216E-11B-316</b>	<b>BACKPLATE,E,216 C C+</b>	1
6	<b>216E-80-1A</b>	<b>SEAL,216/316,+2116,CARBON +2116 C C+</b>	2
7	<b>01-1165-19-U</b>	<b>O-RING,216,SEAL,BUNA C</b>	2
	<i>01-1165-19-E</i>	<i>O-RING,216,SEAL,EPDM C</i>	2
	<i>01-1165-19-V</i>	<i>O-RING,216,SEAL,VITON C</i>	2
8	<b>216E-80-3P</b>	<b>CUP,E,216/316,+216/316 C C+</b>	2
9	<b>216E-80-4A</b>	<b>SPRING,E,216/316 C C+</b>	1
10	<b>216E-23-316L</b>	<b>COLLAR,E,216/316,DRIVE C C+</b>	1
11	<b>SC1103A-SS</b>	<b>SCREW,SET,1/4-20X1/4 E BALANCED</b>	2
12	<b>216D-24B-316L</b>	<b>RETAINER,IMPLR</b>	1
16	<b>CS216E18T-06</b>	<b>STUBSHAFT,180TC,UNIVRSL C216</b>	1
17	<b>S216-75AR-S</b>	<b>CLAMP,216,CASING C C+</b>	1
18	<b>SX18000014</b>	<b>COLLAR,180TC,SHAFT LC</b>	1
19	<b>216D18T-71D-SS</b>	<b>ADAPTER,180TC FRAME SS C216/C+216</b>	1
20	<b>C216-18T-131-S</b>	<b>GUARD,SEAL,216/316,SS C C+ C+ 180TC</b>	1
21	<b>GX5079600</b>	<b>CAPSCRW,HX,1/4-20X1/2,18-8SS HX HD</b>	1
22	<b>SC1710H-SS</b>	<b>CAPSCRW,HX,1/2-13X1,18-8SS HX HD</b>	4
30	<b>17-122-U</b>	<b>O-RING,216,STUFF BX,BUNA C</b>	1



**Exploded View**

*Optional Items Shown in ITALICS*

Ref #	Component Item No.	Description	Qty Per
30	17-122-E	O-RING,216,STUFF BX,EPDM C	1
	17-122-V	O-RING,216,STUFF BX,VITON C	1
31	216E-83B-316	STUFFING BOX,E,216 C C+	1
32	SC1106E-SS	CAPSCRW,BH,1/4-20X1/2,18-8SS BUTTON HD	4
33	17-275-U	O-RING,216,FOLLOWER,BUNA C C+	1
	17-275-E	O-RING,216,FOLLOWER,EPDM C	1
	17-275-V	O-RING,216,FOLLOWER,VIT C	1
34	216E-17-316	FOLLOWER,E,216/+216 C C+	1
35	LWA-1300-SS	WASHER,LOCK,5/16,18-8SS	4
36	SC1308H-SS	CAPSCRW,BH,5/16-18 X1/2,18-8SS BUTTON HD	4

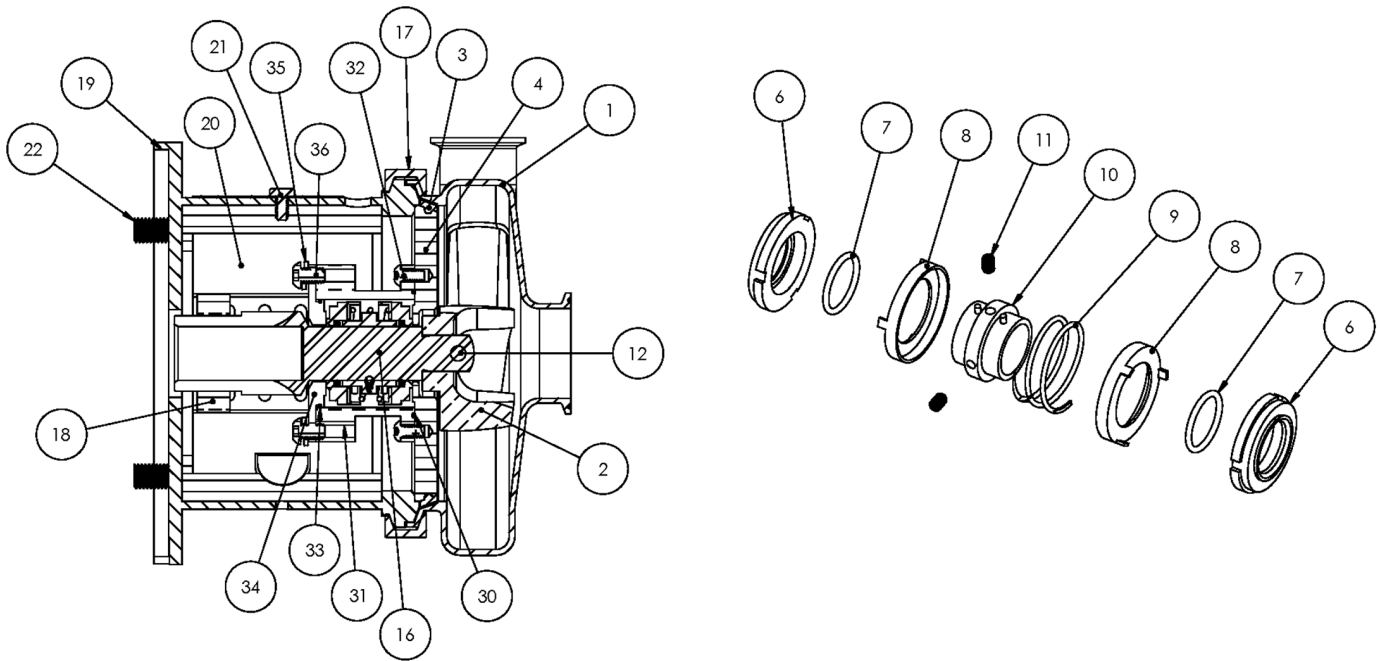


2	Impeller
15	Impeller Key
12	Impeller Nut
16	Stub Shaft
18	Shaft Collar
13	Impeller Nut Gasket
14	Impeller Gasket Back

**AC+ Conversion Kit**

*Optional Items Shown in ITALICS*

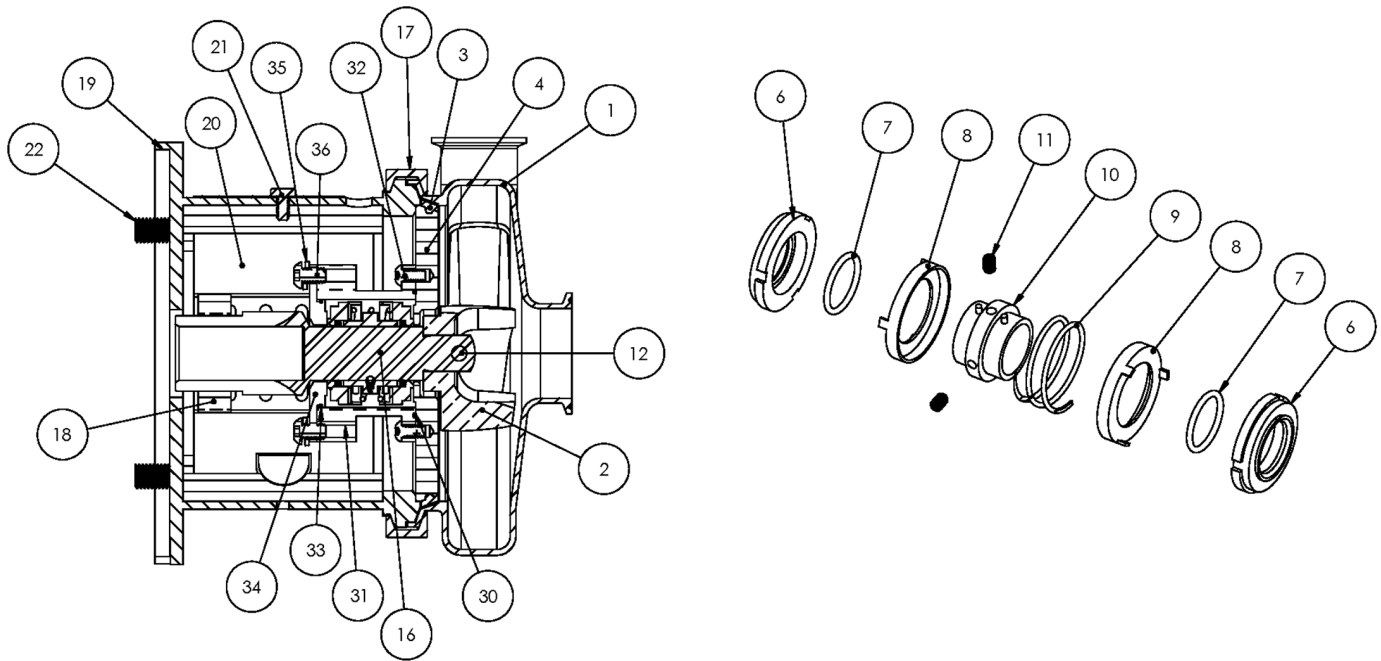
Ref #	Component Item No.	Description	Qty Per
1	<b>C+KIT-216/18</b>	<b>KIT,216,180TC,C+CONVRT,BUNA C</b>	<b>1</b>
	<i>C+KIT-216/18-E</i>	<i>KIT,216,180TC,C+CONVRT,EPDM C</i>	<i>1</i>
	<i>C+KIT-216/18-V</i>	<i>KIT,216,180TC,C+CONVRT,VIT C</i>	<i>1</i>



**Exploded View**

*Optional Items Shown in ITALICS*

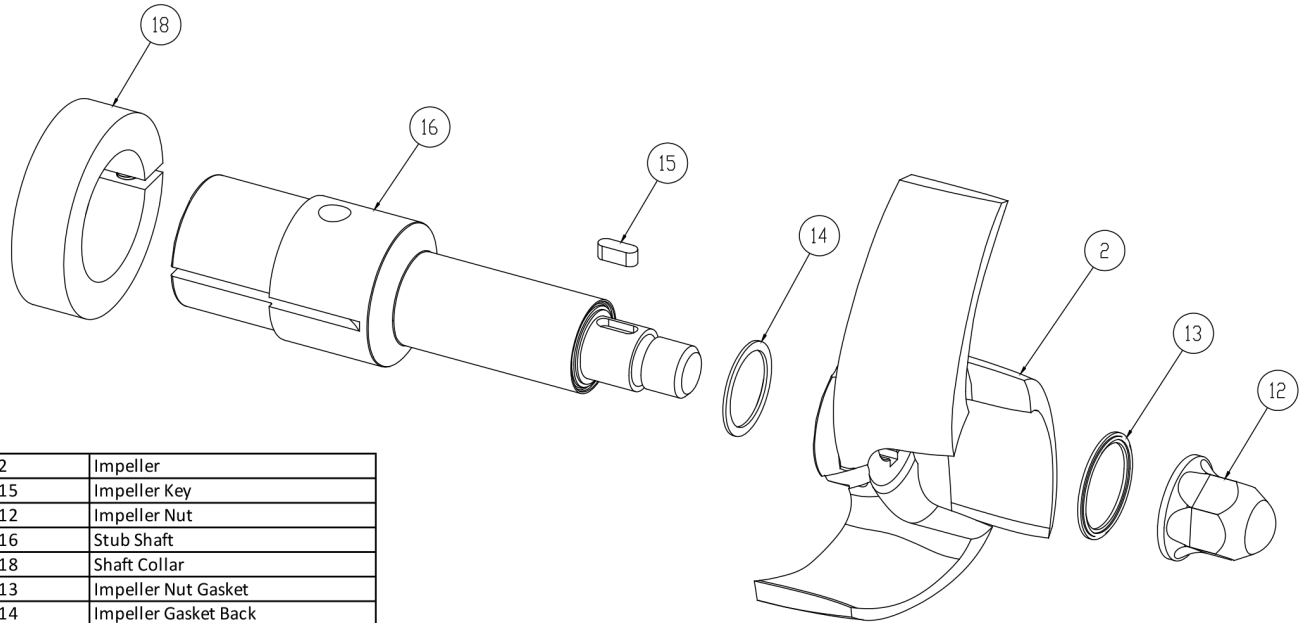
Ref #	Component Item No.	Description	Qty Per
1	<b>S216M-01C-316L</b>	<b>CASING,2X1-1/2,TRI-CLMP C216/C+216</b>	1
	<i>S216T-01C</i>	<i>CASING,2X1-1/2,BVL SEAT C216/C+216</i>	1
	<i>S216MI-01C</i>	<i>CASING,2X1-1/2,CLMP GLASS BEAD C216/C+216</i>	1
	<i>S216S-01C</i>	<i>CASING,2X1-1/2,NPT C216/C+216</i>	1
	<i>S216F-01D</i>	<i>CASING,2X1-1/2,FLNGD C216/C+216</i>	1
2	<b>S216-02C-316L</b>	<b>IMPELLER,216/316 C UNIVERSAL</b>	1
3	<b>S216-90A-U</b>	<b>GASKET,216,CASING,BUNA C C+</b>	1
	<i>S216-90A-E</i>	<i>GASKET,216,CASING,EPDM C C+</i>	1
	<i>S216-90A-V</i>	<i>GASKET,216,CASING,VIT C C+</i>	1
4	<b>216E-11B-316</b>	<b>BACKPLATE,E,216 C C+</b>	1
6	<b>216E-80-1A</b>	<b>SEAL,216/316,+2116,CARBON +2116 C C+</b>	2
7	<b>01-1165-19-U</b>	<b>O-RING,216,SEAL,BUNA C</b>	2
	<i>01-1165-19-E</i>	<i>O-RING,216,SEAL,EPDM C</i>	2
	<i>01-1165-19-V</i>	<i>O-RING,216,SEAL,VITON C</i>	2
8	<b>216E-80-3P</b>	<b>CUP,E,216/316,+216/316 C C+</b>	2
9	<b>216E-80-4A</b>	<b>SPRING,E,216/316 C C+</b>	1
10	<b>216E-23-316L</b>	<b>COLLAR,E,216/316,DRIVE C C+</b>	1
11	<b>SC1103A-SS</b>	<b>SCREW,SET,1/4-20X1/4 E BALANCED</b>	2
12	<b>216D-24B-316L</b>	<b>RETAINER,IMPLR</b>	1
16	<b>CS216E21T-06</b>	<b>STUBSHAFT,210TC,UNIVRSL C216</b>	1
17	<b>S216-75AR-S</b>	<b>CLAMP,216,CASING C C+</b>	1
18	<b>SX18000015</b>	<b>COLLAR,210TC,SHAFT LC</b>	1
19	<b>216E21T-71D-SS</b>	<b>ADAPTER,210TC FRAME,SS C216/C+216</b>	1
20	<b>C216-21T-131B-S</b>	<b>GUARD,SEAL,216/316/+2116,SS C C+ 210TC</b>	1
21	<b>GX5079600</b>	<b>CAPSCRW,HX,1/4-20X1/2,18-8SS HX HD</b>	1
22	<b>SC1710H-SS</b>	<b>CAPSCRW,HX,1/2-13X1,18-8SS HX HD</b>	4
30	<b>17-122-U</b>	<b>O-RING,216,STUFF BX,BUNA C</b>	1



**Exploded View**

*Optional Items Shown in ITALICS*

Ref #	Component Item No.	Description	Qty Per
30	17-122-E	O-RING,216,STUFF BX,EPDM C	1
	17-122-V	O-RING,216,STUFF BX,VITON C	1
31	216E-83B-316	STUFFING BOX,E,216 C C+	1
32	SC1106E-SS	CAPSCRW,BH,1/4-20X1/2,18-8SS BUTTON HD	4
33	17-275-U	O-RING,216,FOLLOWER,BUNA C C+	1
	17-275-E	O-RING,216,FOLLOWER,EPDM C	1
	17-275-V	O-RING,216,FOLLOWER,VIT C	1
34	216E-17-316	FOLLOWER,E,216/+216 C C+	1
35	LWA-1300-SS	WASHER,LOCK,5/16,18-8SS	4
36	SC1308H-SS	CAPSCRW,BH,5/16-18 X1/2,18-8SS BUTTON HD	4

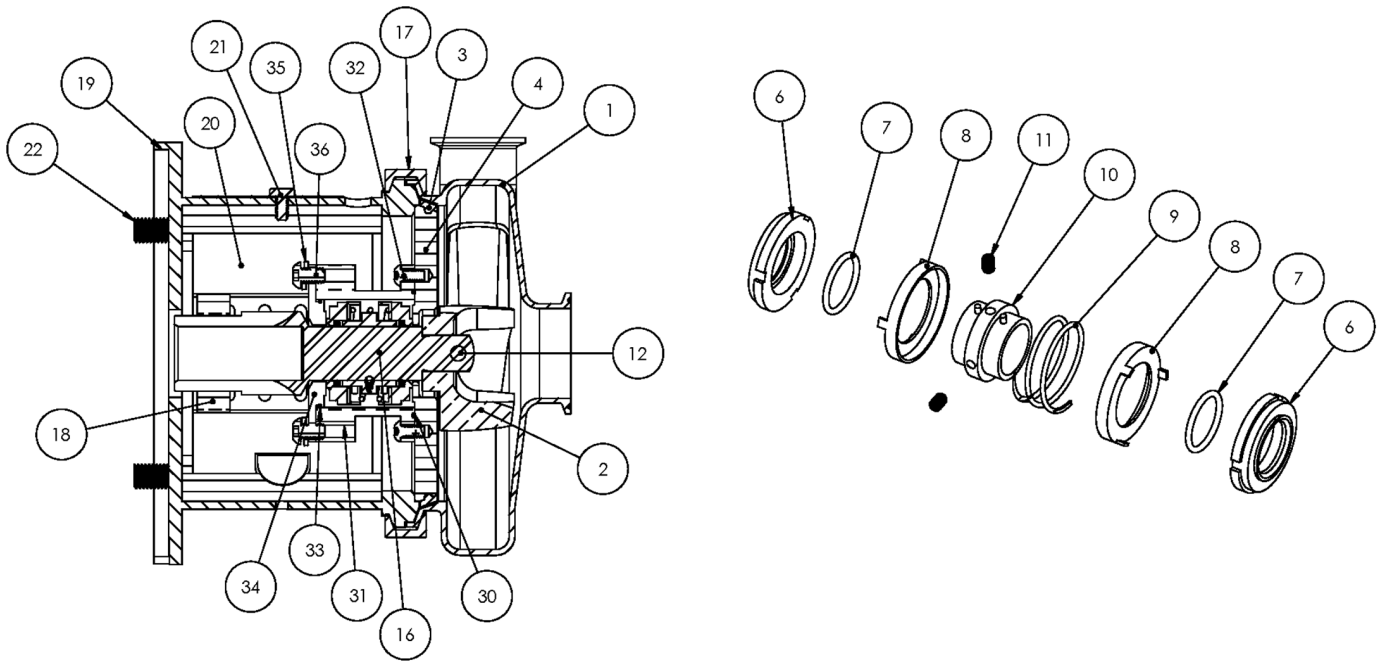


2	Impeller
15	Impeller Key
12	Impeller Nut
16	Stub Shaft
18	Shaft Collar
13	Impeller Nut Gasket
14	Impeller Gasket Back

**AC+ Conversion Kit**

*Optional Items Shown in ITALICS*

Ref #	Component Item No.	Description	Qty Per
1	<b>C+KIT-216/21</b>	<b>KIT,216,210TC,C+CONVRT,BUNA C</b>	<b>1</b>
	<i>C+KIT-216/21-E</i>	<i>KIT,216,210TC,C+CONVRT,EPDM C</i>	<i>1</i>
	<i>C+KIT-216/21-V</i>	<i>KIT,216,210TC,C+CONVRT,VIT C</i>	<i>1</i>

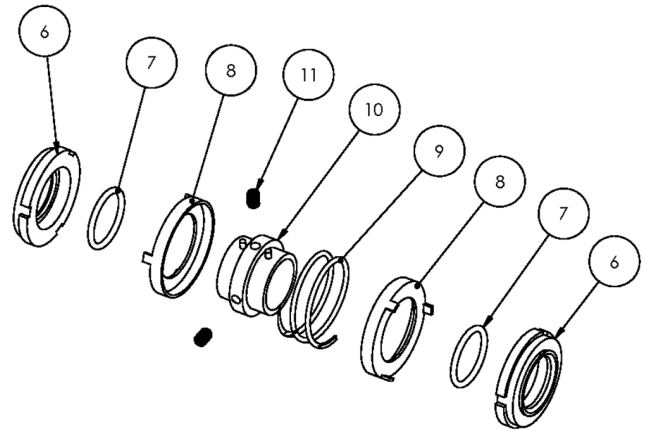
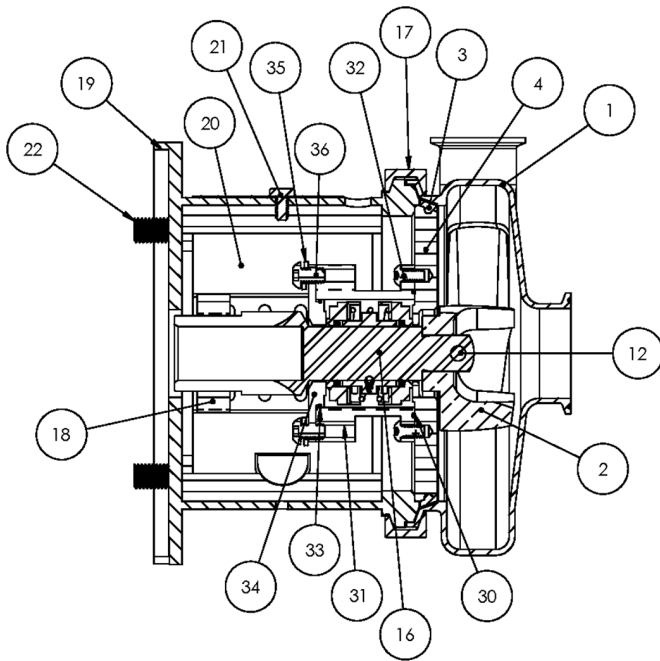


**Exploded View**

*Optional Items Shown in ITALICS*

Ref #	Component Item No.	Description	Qty Per
1	<b>S216M-01C-316L</b>	<b>CASING,2X1-1/2,TRI-CLMP C216/C+216</b>	1
	<i>S216T-01C</i>	<i>CASING,2X1-1/2,BVL SEAT C216/C+216</i>	1
	<i>S216MI-01C</i>	<i>CASING,2X1-1/2,CLMP GLASS BEAD C216/C+216</i>	1
	<i>S216S-01C</i>	<i>CASING,2X1-1/2,NPT C216/C+216</i>	1
	<i>S216F-01D</i>	<i>CASING,2X1-1/2,FLNGD C216/C+216</i>	1
2	<b>S216-02C-316L</b>	<b>IMPELLER,216/316 C UNIVERSAL</b>	1
3	<b>S216-90A-U</b>	<b>GASKET,216,CASING,BUNA C C+</b>	1
	<i>S216-90A-E</i>	<i>GASKET,216,CASING,EPDM C C+</i>	1
	<i>S216-90A-V</i>	<i>GASKET,216,CASING,VIT C C+</i>	1
4	<b>216E-11B-316</b>	<b>BACKPLATE,E,216 C C+</b>	1
6	<b>216E-80-1A</b>	<b>SEAL,216/316,+2116,CARBON +2116 C C+</b>	2
7	<b>01-1165-19-U</b>	<b>O-RING,216,SEAL,BUNA C</b>	2
	<i>01-1165-19-E</i>	<i>O-RING,216,SEAL,EPDM C</i>	2
	<i>01-1165-19-V</i>	<i>O-RING,216,SEAL,VITON C</i>	2
8	<b>216E-80-3P</b>	<b>CUP,E,216/316,+216/316 C C+</b>	2
9	<b>216E-80-4A</b>	<b>SPRING,E,216/316 C C+</b>	1
10	<b>216E-23-316L</b>	<b>COLLAR,E,216/316,DRIVE C C+</b>	1
11	<b>SC1103A-SS</b>	<b>SCREW,SET,1/4-20X1/4 E BALANCED</b>	2
12	<b>216D-24B-316L</b>	<b>RETAINER,IMPLR</b>	1
16	<b>CS216E25T-06</b>	<b>STUBSHAFT,250TC,UNIVRSL C216</b>	1
17	<b>S216-75AR-S</b>	<b>CLAMP,216,CASING C C+</b>	1
18	<b>SX18000016</b>	<b>COLLAR,250TC/280TSC,SHAFT LC</b>	1
19	<b>216E25T-71D-SS</b>	<b>ADAPTER,250TC FRAME,SS C216/C+216</b>	1
20	<b>C216-21T-131B-S</b>	<b>GUARD,SEAL,216/316/+2116,SS C C+ 210TC</b>	1
21	<b>GX5079600</b>	<b>CAPSCRW,HX,1/4-20X1/2,18-8SS HX HD</b>	1
22	<b>SC1710H-SS</b>	<b>CAPSCRW,HX,1/2-13X1,18-8SS HX HD</b>	4
30	<b>17-122-U</b>	<b>O-RING,216,STUFF BX,BUNA C</b>	1

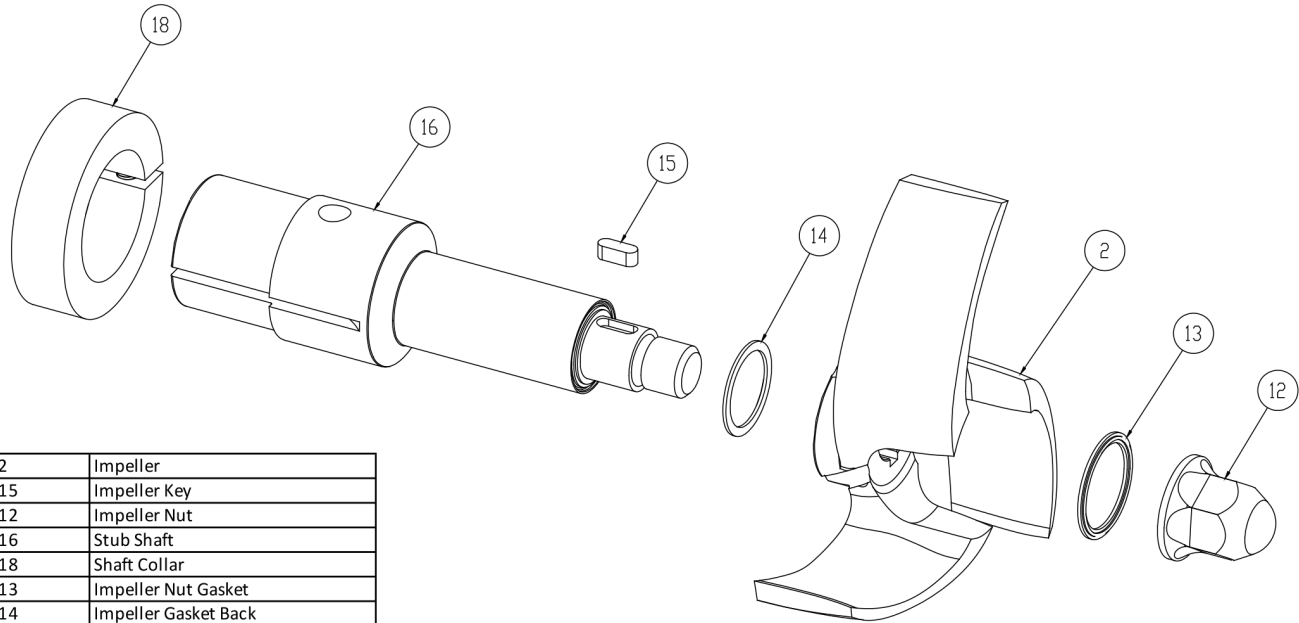




**Exploded View**

*Optional Items Shown in ITALICS*

Ref #	Component Item No.	Description	Qty Per
30	17-122-E	O-RING,216,STUFF BX,EPDM C	1
	17-122-V	O-RING,216,STUFF BX,VITON C	1
31	216E-83B-316	STUFFING BOX,E,216 C C+	1
32	SC1106E-SS	CAPSCRW,BH,1/4-20X1/2,18-8SS BUTTON HD	4
33	17-275-U	O-RING,216,FOLLOWER,BUNA C C+	1
	17-275-E	O-RING,216,FOLLOWER,EPDM C	1
	17-275-V	O-RING,216,FOLLOWER,VIT C	1
34	216E-17-316	FOLLOWER,E,216/+216 C C+	1
35	LWA-1300-SS	WASHER,LOCK,5/16,18-8SS	4
36	SC1308H-SS	CAPSCRW,BH,5/16-18 X1/2,18-8SS BUTTON HD	4

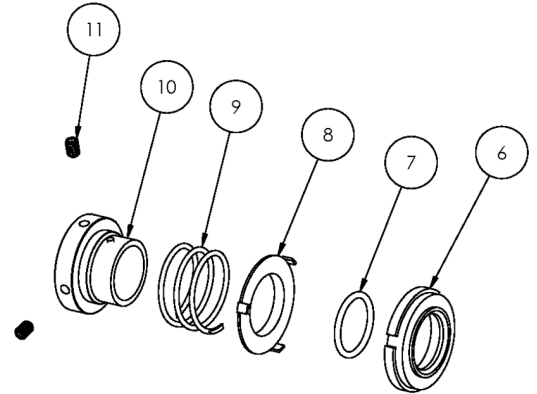
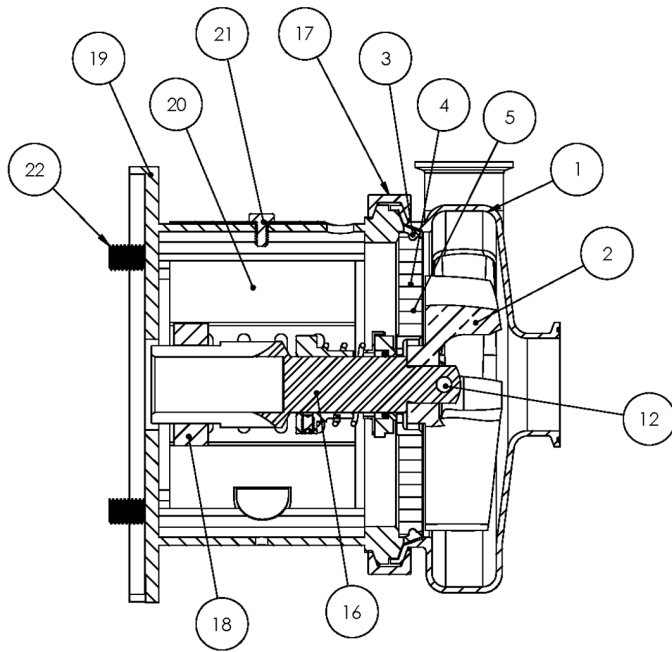


2	Impeller
15	Impeller Key
12	Impeller Nut
16	Stub Shaft
18	Shaft Collar
13	Impeller Nut Gasket
14	Impeller Gasket Back

**AC+ Conversion Kit**

*Optional Items Shown in ITALICS*

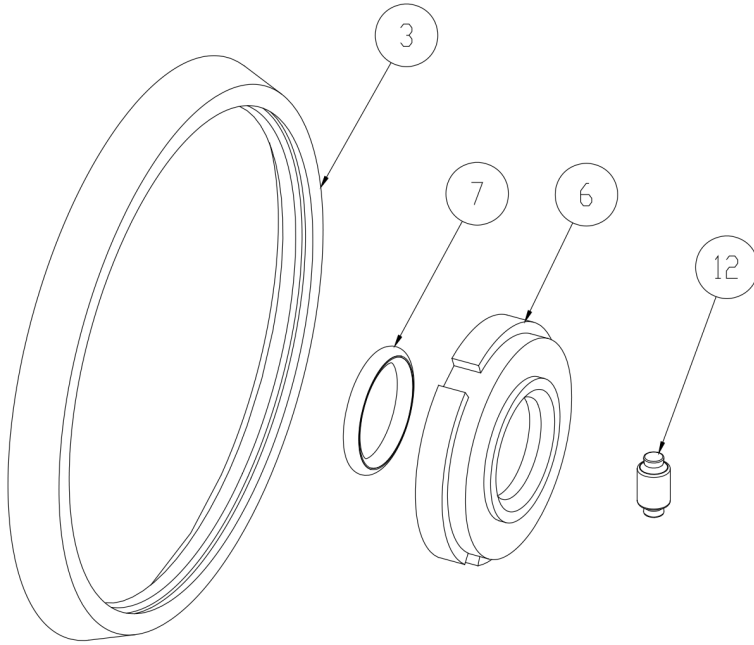
Ref #	Component Item No.	Description	Qty Per
1	<b>C+KIT-216/25</b>	<b>KIT,216,250TC,C+CONVRT,BUNA C</b>	<b>1</b>
	<i>C+KIT-216/25-E</i>	<i>KIT,216,250TC,C+CONVRT,EPDM C</i>	<i>1</i>
	<i>C+KIT-216/25-V</i>	<i>KIT,216,250TC,C+CONVRT,VIT C</i>	<i>1</i>



**Exploded View**

*Optional Items Shown in ITALICS*

Ref #	Component Item No.	Description	Qty Per
1	<b>S218M-01D-316L</b>	<b>CASING,2X1-1/2,TRI-CLMP C218/C+218</b>	1
	<i>S218T-01C</i>	<i>CASING,2X1-1/2,BVL SEAT C218/C+218</i>	1
	<i>S218MI-01D</i>	<i>CASING,2X1-1/2,CLMP GLASS BEAD C218/C+218</i>	1
	<i>S218S-01C</i>	<i>CASING,2X1-1/2,NPT C218/C+218</i>	1
	<i>S218F-01C</i>	<i>CASING,2X1-1/2,FLNGD C218/C+218</i>	1
2	<b>S218-02C-316L</b>	<b>IMPELLER,218/318 C UNIVERSAL</b>	1
3	<b>S328-90A-U</b>	<b>GASKET,218/328,CASING,BUNA C C+</b>	1
	<i>S328-90A-E</i>	<i>GASKET,218/328,CASING,EPDM C C+</i>	1
	<i>S328-90A-V</i>	<i>GASKET,218/328,CASING,VIT C C+</i>	1
4	<b>328D-11-316</b>	<b>BACKPLATE,D,218/328,+218/+328 C C+</b>	1
5	<b>216D-11-1-S</b>	<b>PIN,BACKPLT,114/216/328 C C+</b>	2
6	<b>328E-80-1A</b>	<b>SEAL,218/328,3218,CARBON C C+</b>	1
7	<b>S328-80-2-U</b>	<b>O-RING,218/328,SEAL,BUNA C C+</b>	1
	<i>S328-80-2-E</i>	<i>O-RING,218/328,SEAL,EPDM,2-222 C C+</i>	1
	<i>S328-80-2-V</i>	<i>O-RING,218/328,SEAL,VIT C C+</i>	1
8	<b>328D-80-3P</b>	<b>CUP,D,218/318/328/428 C C+</b>	1
9	<b>328D-80-4</b>	<b>SPRING,D,218/328/428,+3218 C C+ DB</b>	1
10	<b>SP328D-23P-S</b>	<b>COLLAR,D,218/328/+3218,DRIVE C C+</b>	1
11	<b>SC1105A-SS</b>	<b>SCREW,SET,DRV COLLR,1/4-20X3/8 -SS</b>	2
12	<b>328D-24B-316L</b>	<b>RETAINER,IMPLR</b>	1
16	<b>CS328E14T-06</b>	<b>STUBSHAFT,140TC,UNIVRSL C218/C328</b>	1
17	<b>S328-75AR-S</b>	<b>CLAMP,218/328,CASING C C+</b>	1
18	<b>SX18000013</b>	<b>COLLAR,56C/140TC,SHAFT L SEE ITEM NOTES</b>	1
19	<b>328D14T-71C-SS</b>	<b>ADAPTER,140TC FRAME,SS C218/C328/C+218/C+328</b>	1
20	<b>C328-14T-131-S</b>	<b>GUARD,SEAL,218/328,SS C C+ CB+</b>	1
21	<b>GX5079600</b>	<b>CAPSCRW,HX,1/4-20X1/2,18-8SS HX HD</b>	1
22	<b>GX5077100</b>	<b>CAPSCRW,HX,3/8-16X1,18-8SS HX HD</b>	4

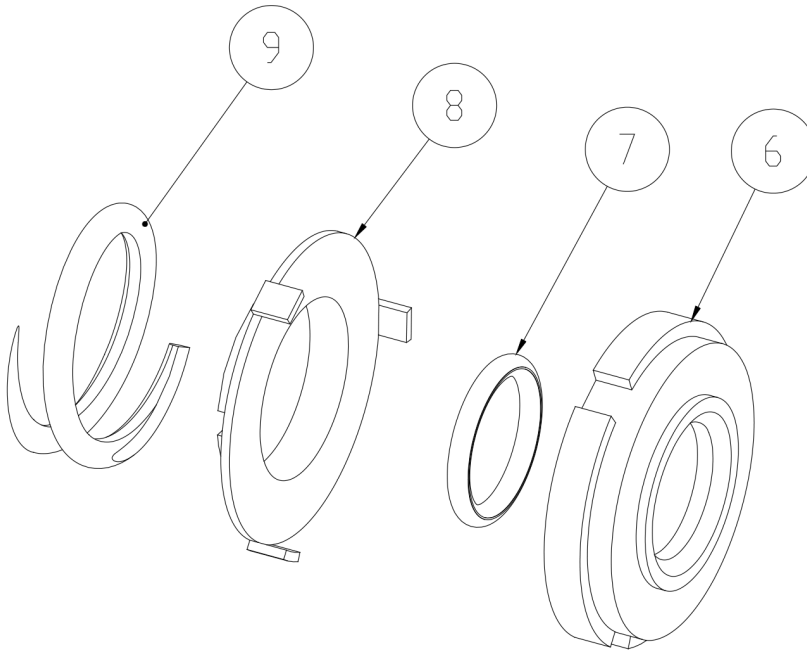


3	Casing Gasket
6	Seal Carbon
7	Seal O-Ring
12	Impeller Pin

**Seal Kit #1**

*Optional Items Shown in ITALICS*

Ref #	Component Item No.	Description	Qty Per
1	<b>KIT#1-C218-B</b>	<b>KIT,#1,218/328,SEAL,BUNA C</b>	<b>1</b>
	<i>KIT#1-C218-E</i>	<i>KIT,#1,SEAL,218/328,EPDM C</i>	<i>1</i>
	<i>KIT#1-C218-S</i>	<i>KIT,#1,SEAL,218/328,SFY,VIT C</i>	<i>1</i>

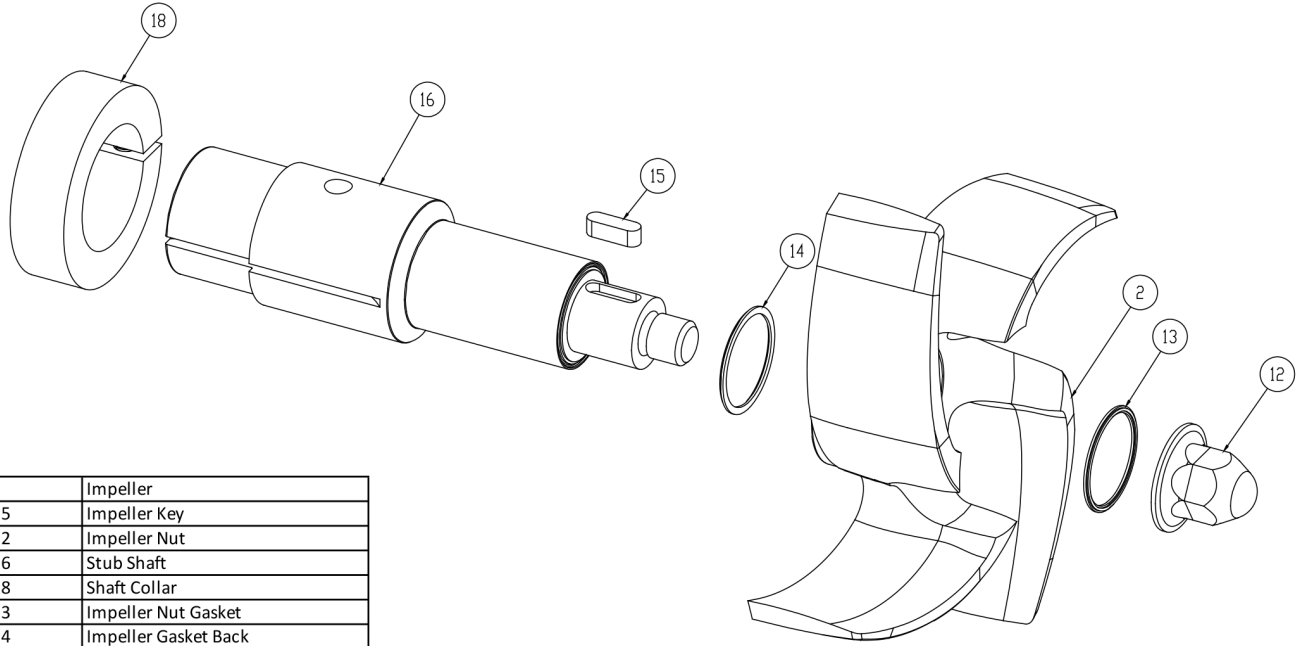


6	Seal Carbon
7	Seal O-Ring
8	Cup D Seal
9	Spring D Seal

**Seal Kit #3**

*Optional Items Shown in ITALICS*

Ref #	Component Item No.	Description	Qty Per
1	<b>KIT#3-C218-B</b>	<b>KIT,#3,218/328,SEAL,BUNA C</b>	<b>1</b>
	<i>KIT#3-C218-E</i>	<i>KIT,#3,SEAL,218/328,EPDM C</i>	<i>1</i>
	<i>KIT#3-C218-S</i>	<i>KIT,#3,SEAL,218/328,SFY,VIT C</i>	<i>1</i>

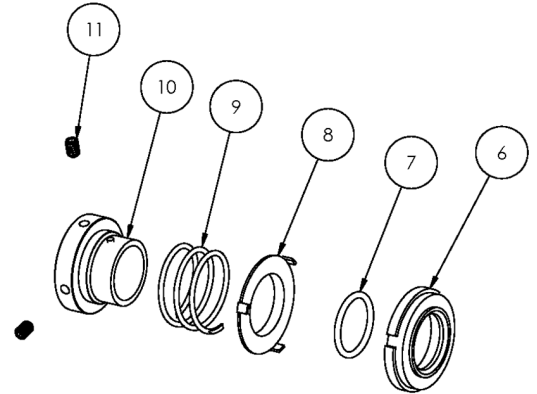
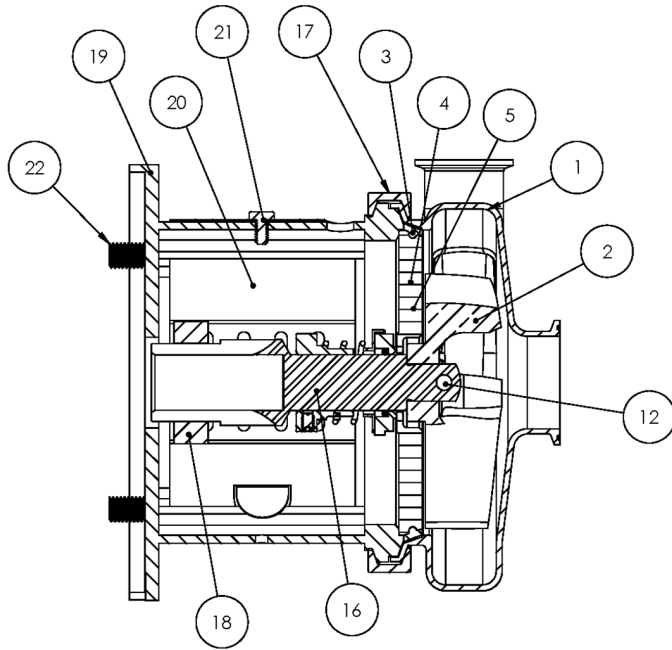


2	Impeller
15	Impeller Key
12	Impeller Nut
16	Stub Shaft
18	Shaft Collar
13	Impeller Nut Gasket
14	Impeller Gasket Back

**AC+ Conversion Kit**

*Optional Items Shown in ITALICS*

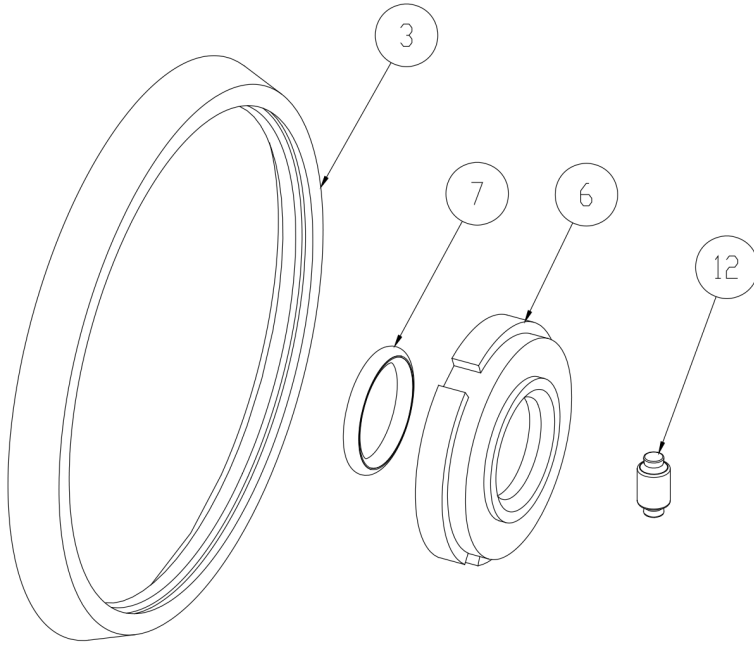
Ref #	Component Item No.	Description	Qty Per
1	<b>C+KIT-218/14</b>	<b>KIT,218,140TC,C+CONVRT,BUNA C</b>	<b>1</b>
	<i>C+KIT-218/14-E</i>	<i>KIT,218,140TC,C+CONVRT,EPDM C</i>	<i>1</i>
	<i>C+KIT-218/14-V</i>	<i>KIT,218,140TC,C+CONVRT,VIT C</i>	<i>1</i>



**Exploded View**

*Optional Items Shown in ITALICS*

Ref #	Component Item No.	Description	Qty Per
1	<b>S218M-01D-316L</b>	<b>CASING,2X1-1/2,TRI-CLMP C218/C+218</b>	1
	<i>S218T-01C</i>	<i>CASING,2X1-1/2,BVL SEAT C218/C+218</i>	1
	<i>S218MI-01D</i>	<i>CASING,2X1-1/2,CLMP GLASS BEAD C218/C+218</i>	1
	<i>S218S-01C</i>	<i>CASING,2X1-1/2,NPT C218/C+218</i>	1
	<i>S218F-01C</i>	<i>CASING,2X1-1/2,FLNGD C218/C+218</i>	1
2	<b>S218-02C-316L</b>	<b>IMPELLER,218/318 C UNIVERSAL</b>	1
3	<b>S328-90A-U</b>	<b>GASKET,218/328,CASING,BUNA C C+</b>	1
	<i>S328-90A-E</i>	<i>GASKET,218/328,CASING,EPDM C C+</i>	1
	<i>S328-90A-V</i>	<i>GASKET,218/328,CASING,VIT C C+</i>	1
4	<b>328D-11-316</b>	<b>BACKPLATE,D,218/328,+218/+328 C C+</b>	1
5	<b>216D-11-1-S</b>	<b>PIN,BACKPLT,114/216/328 C C+</b>	2
6	<b>328E-80-1A</b>	<b>SEAL,218/328,3218,CARBON C C+</b>	1
7	<b>S328-80-2-U</b>	<b>O-RING,218/328,SEAL,BUNA C C+</b>	1
	<i>S328-80-2-E</i>	<i>O-RING,218/328,SEAL,EPDM,2-222 C C+</i>	1
	<i>S328-80-2-V</i>	<i>O-RING,218/328,SEAL,VIT C C+</i>	1
8	<b>328D-80-3P</b>	<b>CUP,D,218/318/328/428 C C+</b>	1
9	<b>328D-80-4</b>	<b>SPRING,D,218/328/428,+3218 C C+ DB</b>	1
10	<b>SP328D-23P-S</b>	<b>COLLAR,D,218/328/+3218,DRIVE C C+</b>	1
11	<b>SC1105A-SS</b>	<b>SCREW,SET,DRV COLLR,1/4-20X3/8 -SS</b>	2
12	<b>328D-24B-316L</b>	<b>RETAINER,IMPLR</b>	1
16	<b>CS328E18T-06</b>	<b>STUBSHAFT,180TC,UNIVRSL C218/C328</b>	1
17	<b>S328-75AR-S</b>	<b>CLAMP,218/328,CASING C C+</b>	1
18	<b>SX18000014</b>	<b>COLLAR,180TC,SHAFT LC</b>	1
19	<b>328D18T-71C-SS</b>	<b>ADAPTER,180TC FRAME,SS C218/C328/C+218/C+328</b>	1
20	<b>C328-18T-131-S</b>	<b>GUARD,SEAL,21/318/328/428,SS C C+ IC+ 180TC</b>	1
21	<b>GX5079600</b>	<b>CAPSCRW,HX,1/4-20X1/2,18-8SS HX HD</b>	1
22	<b>SC1710H-SS</b>	<b>CAPSCRW,HX,1/2-13X1,18-8SS HX HD</b>	4



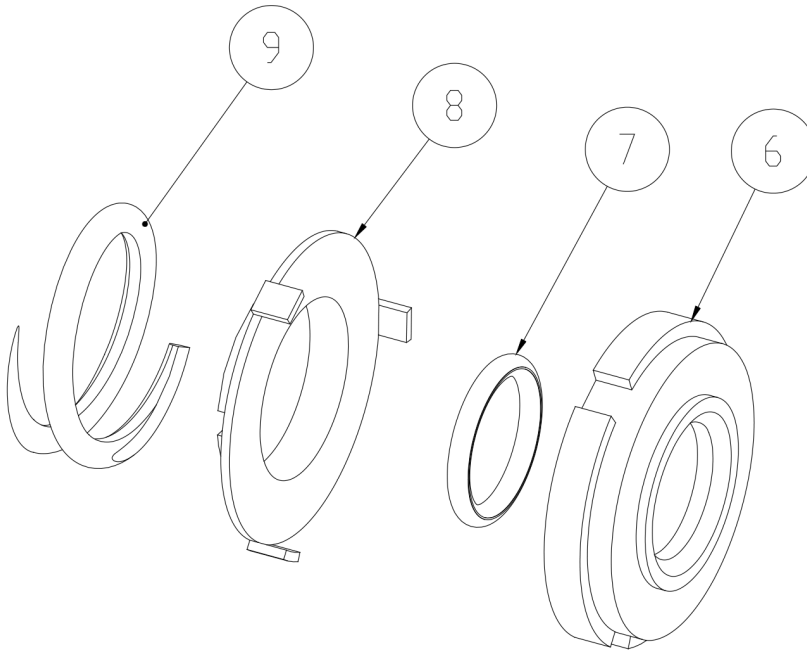
3	Casing Gasket
6	Seal Carbon
7	Seal O-Ring
12	Impeller Pin

**Seal Kit #1**

*Optional Items Shown in ITALICS*

Ref #	Component Item No.	Description	Qty Per
1	<b>KIT#1-C218-B</b>	<b>KIT,#1,218/328,SEAL,BUNA C</b>	<b>1</b>
	<i>KIT#1-C218-E</i>	<i>KIT,#1,SEAL,218/328,EPDM C</i>	<i>1</i>
	<i>KIT#1-C218-S</i>	<i>KIT,#1,SEAL,218/328,SFY,VIT C</i>	<i>1</i>



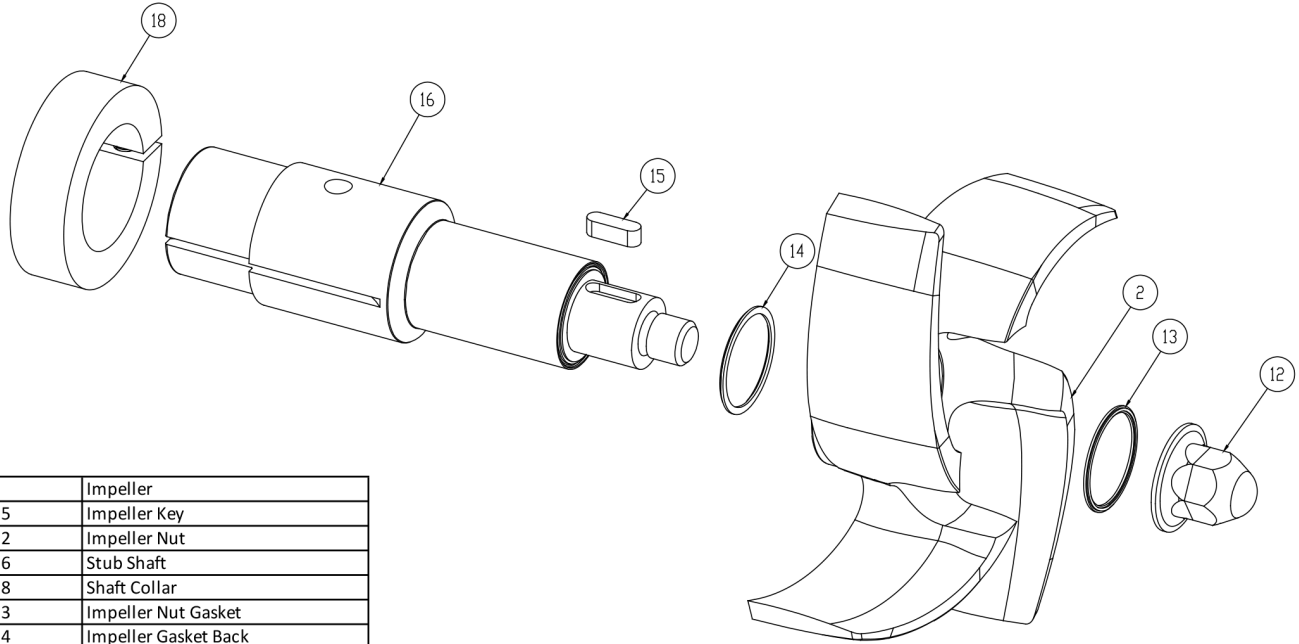


6	Seal Carbon
7	Seal O-Ring
8	Cup D Seal
9	Spring D Seal

**Seal Kit #3**

*Optional Items Shown in ITALICS*

Ref #	Component Item No.	Description	Qty Per
1	<b>KIT#3-C218-B</b>	<b>KIT,#3,218/328,SEAL,BUNA C</b>	<b>1</b>
	<i>KIT#3-C218-E</i>	<i>KIT,#3,SEAL,218/328,EPDM C</i>	<i>1</i>
	<i>KIT#3-C218-S</i>	<i>KIT,#3,SEAL,218/328,SFY,VIT C</i>	<i>1</i>

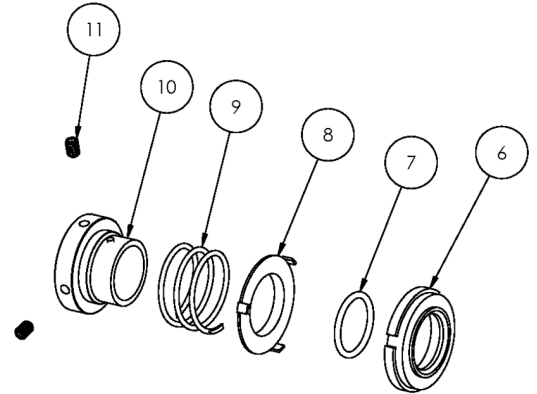
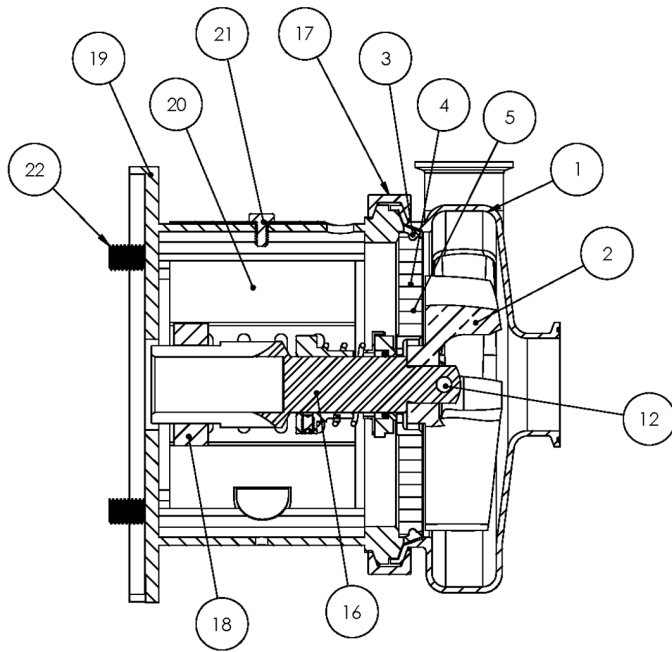


2	Impeller
15	Impeller Key
12	Impeller Nut
16	Stub Shaft
18	Shaft Collar
13	Impeller Nut Gasket
14	Impeller Gasket Back

**AC+ Conversion Kit**

*Optional Items Shown in ITALICS*

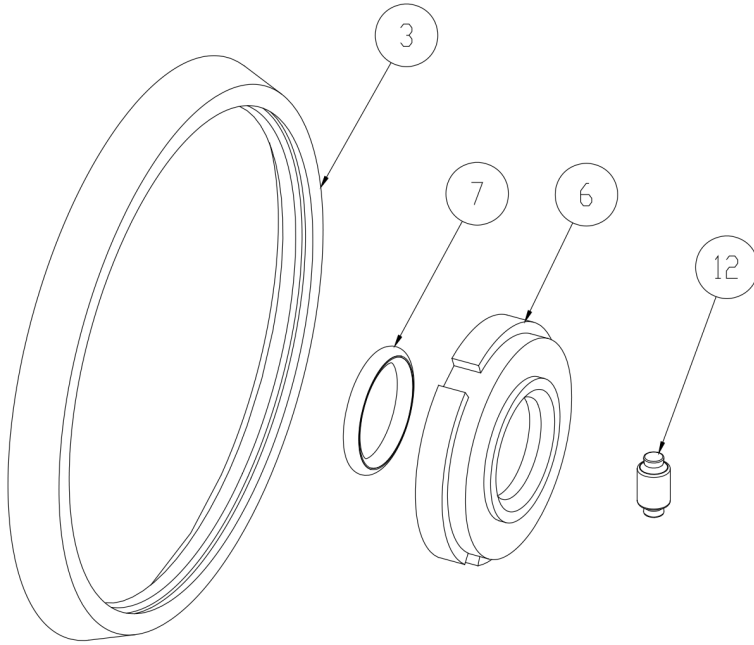
Ref #	Component Item No.	Description	Qty Per
1	<b>C+KIT-218/18</b>	<b>KIT,218,180TC,C+CONVRT,BUNA C</b>	<b>1</b>
	<i>C+KIT-218/18-E</i>	<i>KIT,218,180TC,C+CONVRT,EPDM C</i>	<i>1</i>
	<i>C+KIT-218/18-V</i>	<i>KIT,218,180TC,C+CONVRT,VIT C</i>	<i>1</i>



**Exploded View**

*Optional Items Shown in ITALICS*

Ref #	Component Item No.	Description	Qty Per
1	<b>S218M-01D-316L</b>	<b>CASING,2X1-1/2,TRI-CLMP C218/C+218</b>	1
	<i>S218T-01C</i>	<i>CASING,2X1-1/2,BVL SEAT C218/C+218</i>	1
	<i>S218MI-01D</i>	<i>CASING,2X1-1/2,CLMP GLASS BEAD C218/C+218</i>	1
	<i>S218S-01C</i>	<i>CASING,2X1-1/2,NPT C218/C+218</i>	1
	<i>S218F-01C</i>	<i>CASING,2X1-1/2,FLNGD C218/C+218</i>	1
2	<b>S218-02C-316L</b>	<b>IMPELLER,218/318 C UNIVERSAL</b>	1
3	<b>S328-90A-U</b>	<b>GASKET,218/328,CASING,BUNA C C+</b>	1
	<i>S328-90A-E</i>	<i>GASKET,218/328,CASING,EPDM C C+</i>	1
	<i>S328-90A-V</i>	<i>GASKET,218/328,CASING,VIT C C+</i>	1
4	<b>328D-11-316</b>	<b>BACKPLATE,D,218/328,+218/+328 C C+</b>	1
5	<b>216D-11-1-S</b>	<b>PIN,BACKPLT,114/216/328 C C+</b>	2
6	<b>328E-80-1A</b>	<b>SEAL,218/328,3218,CARBON C C+</b>	1
7	<b>S328-80-2-U</b>	<b>O-RING,218/328,SEAL,BUNA C C+</b>	1
	<i>S328-80-2-E</i>	<i>O-RING,218/328,SEAL,EPDM,2-222 C C+</i>	1
	<i>S328-80-2-V</i>	<i>O-RING,218/328,SEAL,VIT C C+</i>	1
8	<b>328D-80-3P</b>	<b>CUP,D,218/318/328/428 C C+</b>	1
9	<b>328D-80-4</b>	<b>SPRING,D,218/328/428,+3218 C C+ DB</b>	1
10	<b>SP328D-23P-S</b>	<b>COLLAR,D,218/328/+3218,DRIVE C C+</b>	1
11	<b>SC1105A-SS</b>	<b>SCREW,SET,DRV COLLR,1/4-20X3/8 -SS</b>	2
12	<b>328D-24B-316L</b>	<b>RETAINER,IMPLR</b>	1
16	<b>CS328E21T-06</b>	<b>STUBSHAFT,210TC,UNIVRSL C218/C328</b>	1
17	<b>S328-75AR-S</b>	<b>CLAMP,218/328,CASING C C+</b>	1
18	<b>SX18000015</b>	<b>COLLAR,210TC,SHAFT LC</b>	1
19	<b>328D21T-71C-SS</b>	<b>ADAPTER,210TC FRAME,SS C218/C328/C+218/C+328</b>	1
20	<b>C328-21T-131-S</b>	<b>GUARD,SEAL,218/318/328/428,SS C C+ CB+ 210TC</b>	1
21	<b>GX5079600</b>	<b>CAPSCRW,HX,1/4-20X1/2,18-8SS HX HD</b>	1
22	<b>SC1710H-SS</b>	<b>CAPSCRW,HX,1/2-13X1,18-8SS HX HD</b>	4

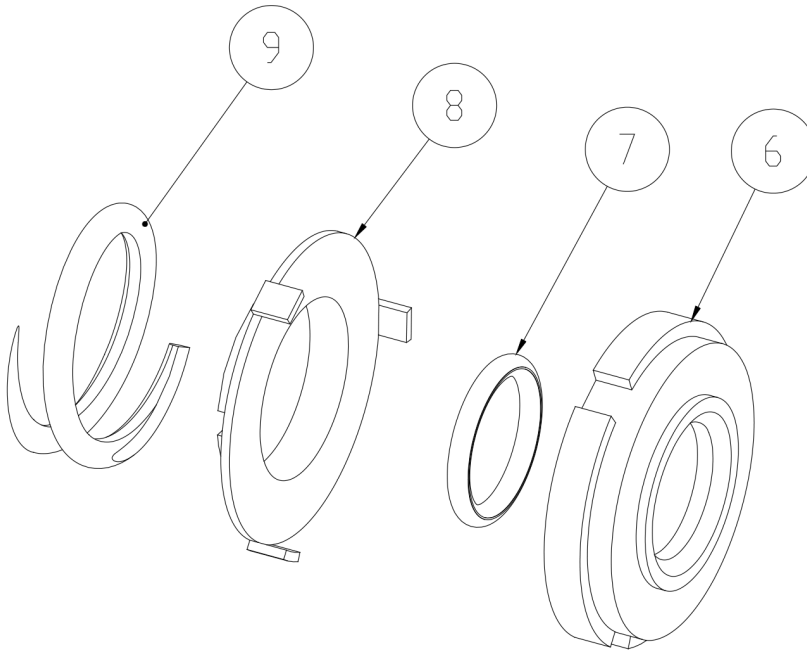


3	Casing Gasket
6	Seal Carbon
7	Seal O-Ring
12	Impeller Pin

**Seal Kit #1**

*Optional Items Shown in ITALICS*

Ref #	Component Item No.	Description	Qty Per
1	<b>KIT#1-C218-B</b>	<b>KIT,#1,218/328,SEAL,BUNA C</b>	<b>1</b>
	<i>KIT#1-C218-E</i>	<i>KIT,#1,SEAL,218/328,EPDM C</i>	<i>1</i>
	<i>KIT#1-C218-S</i>	<i>KIT,#1,SEAL,218/328,SFY,VIT C</i>	<i>1</i>

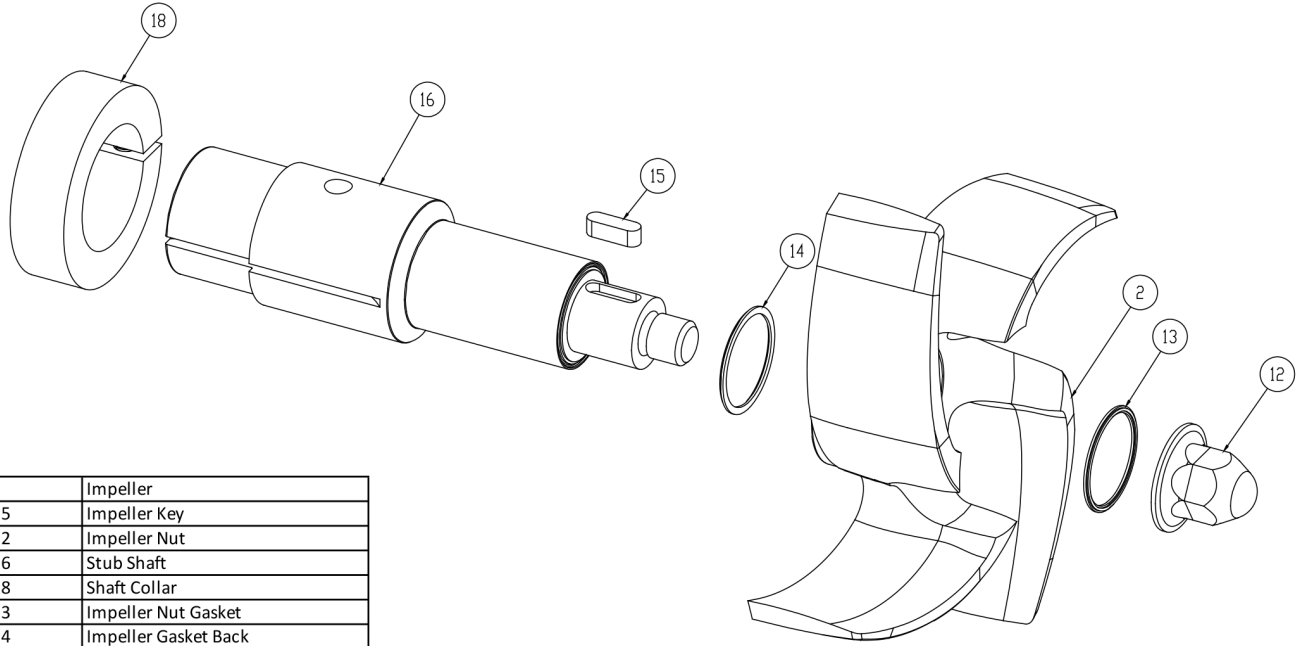


6	Seal Carbon
7	Seal O-Ring
8	Cup D Seal
9	Spring D Seal

**Seal Kit #3**

*Optional Items Shown in ITALICS*

Ref #	Component Item No.	Description	Qty Per
1	<b>KIT#3-C218-B</b>	<b>KIT,#3,218/328,SEAL,BUNA C</b>	<b>1</b>
	<i>KIT#3-C218-E</i>	<i>KIT,#3,SEAL,218/328,EPDM C</i>	<i>1</i>
	<i>KIT#3-C218-S</i>	<i>KIT,#3,SEAL,218/328,SFY,VIT C</i>	<i>1</i>

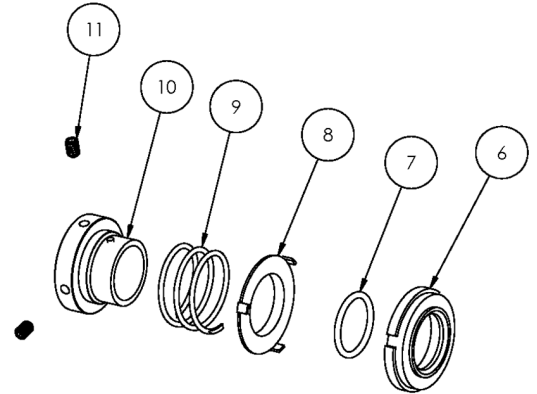
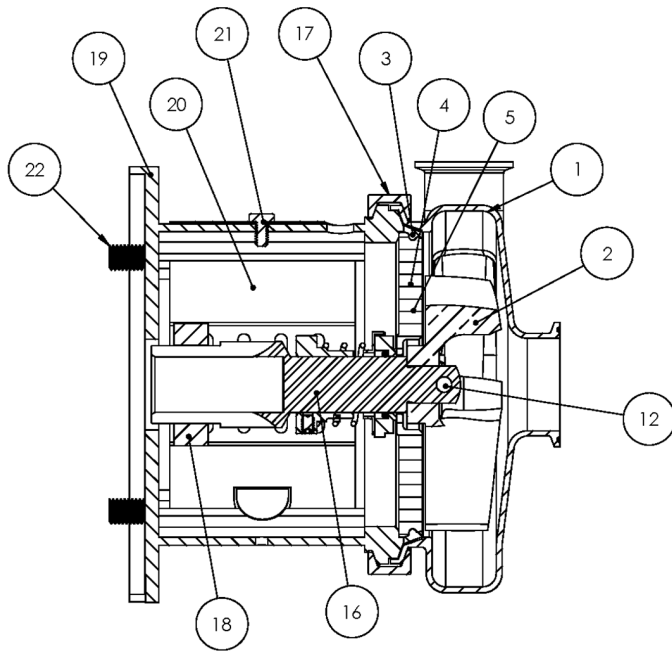


2	Impeller
15	Impeller Key
12	Impeller Nut
16	Stub Shaft
18	Shaft Collar
13	Impeller Nut Gasket
14	Impeller Gasket Back

**AC+ Conversion Kit**

*Optional Items Shown in ITALICS*

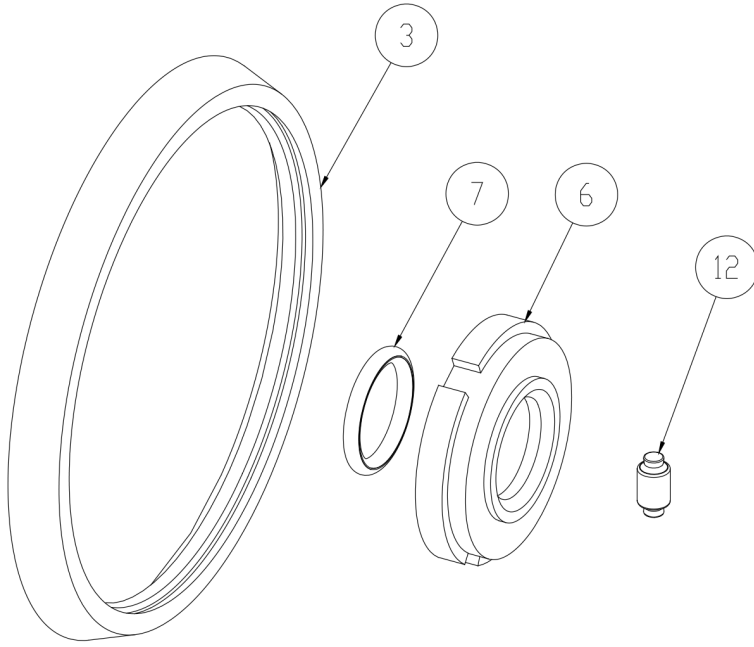
Ref #	Component Item No.	Description	Qty Per
1	<b>C+KIT-218/21</b>	<b>KIT,218,210TC,C+CONVRT,BUNA C</b>	<b>1</b>
	<i>C+KIT-218/21-E</i>	<i>KIT,218,210TC,C+CONVRT,EPDM C</i>	<i>1</i>
	<i>C+KIT-218/21-V</i>	<i>KIT,218,210TC,C+CONVRT,VIT C</i>	<i>1</i>



**Exploded View**

*Optional Items Shown in ITALICS*

Ref #	Component Item No.	Description	Qty Per
1	<b>S218M-01D-316L</b>	<b>CASING,2X1-1/2,TRI-CLMP C218/C+218</b>	1
	<i>S218T-01C</i>	<i>CASING,2X1-1/2,BVL SEAT C218/C+218</i>	1
	<i>S218MI-01D</i>	<i>CASING,2X1-1/2,CLMP GLASS BEAD C218/C+218</i>	1
	<i>S218S-01C</i>	<i>CASING,2X1-1/2,NPT C218/C+218</i>	1
	<i>S218F-01C</i>	<i>CASING,2X1-1/2,FLNGD C218/C+218</i>	1
2	<b>S218-02C-316L</b>	<b>IMPELLER,218/318 C UNIVERSAL</b>	1
3	<b>S328-90A-U</b>	<b>GASKET,218/328,CASING,BUNA C C+</b>	1
	<i>S328-90A-E</i>	<i>GASKET,218/328,CASING,EPDM C C+</i>	1
	<i>S328-90A-V</i>	<i>GASKET,218/328,CASING,VIT C C+</i>	1
4	<b>328D-11-316</b>	<b>BACKPLATE,D,218/328,+218/+328 C C+</b>	1
5	<b>216D-11-1-S</b>	<b>PIN,BACKPLT,114/216/328 C C+</b>	2
6	<b>328E-80-1A</b>	<b>SEAL,218/328,3218,CARBON C C+</b>	1
7	<b>S328-80-2-U</b>	<b>O-RING,218/328,SEAL,BUNA C C+</b>	1
	<i>S328-80-2-E</i>	<i>O-RING,218/328,SEAL,EPDM,2-222 C C+</i>	1
	<i>S328-80-2-V</i>	<i>O-RING,218/328,SEAL,VIT C C+</i>	1
8	<b>328D-80-3P</b>	<b>CUP,D,218/318/328/428 C C+</b>	1
9	<b>328D-80-4</b>	<b>SPRING,D,218/328/428,+3218 C C+ DB</b>	1
10	<b>SP328D-23P-S</b>	<b>COLLAR,D,218/328/+3218,DRIVE C C+</b>	1
11	<b>SC1105A-SS</b>	<b>SCREW,SET,DRV COLLR,1/4-20X3/8 -SS</b>	2
12	<b>328D-24B-316L</b>	<b>RETAINER,IMPLR</b>	1
16	<b>CS328E25T-06</b>	<b>STUBSHAFT,250TC,UNIVRSL C218/C328</b>	1
17	<b>S328-75AR-S</b>	<b>CLAMP,218/328,CASING C C+</b>	1
18	<b>SX18000016</b>	<b>COLLAR,250TC/280TSC,SHAFT LC</b>	1
19	<b>328D25T-71C-SS</b>	<b>ADAPTER,250TC FRAME,SS C218/C328/C+218/C+328</b>	1
20	<b>C328-25T-131-S</b>	<b>GUARD,SEAL,218/328/428,SS C C+ CB+ 250TC</b>	1
21	<b>GX5079600</b>	<b>CAPSCRW,HX,1/4-20X1/2,18-8SS HX HD</b>	1
22	<b>SC1710H-SS</b>	<b>CAPSCRW,HX,1/2-13X1,18-8SS HX HD</b>	4



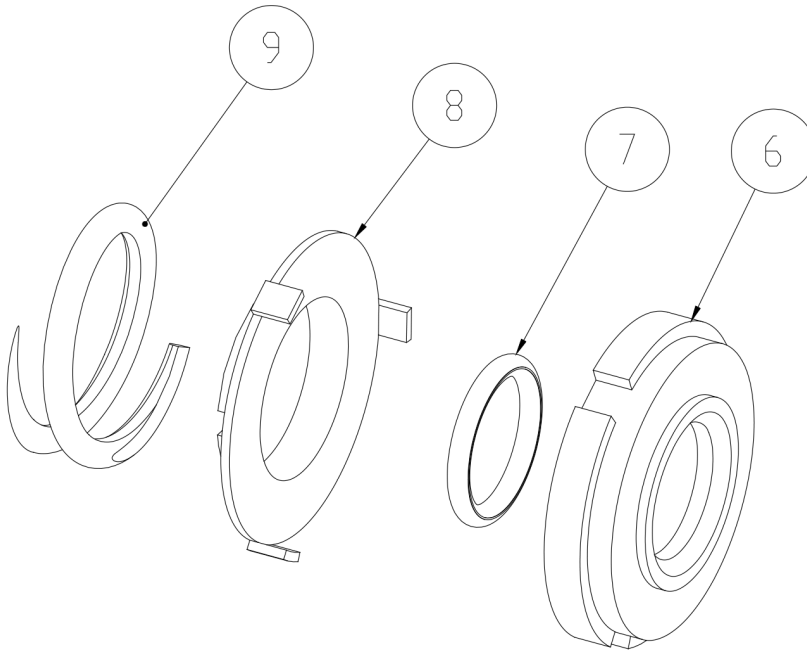
3	Casing Gasket
6	Seal Carbon
7	Seal O-Ring
12	Impeller Pin

**Seal Kit #1**

*Optional Items Shown in ITALICS*

Ref #	Component Item No.	Description	Qty Per
1	<b>KIT#1-C218-B</b>	<b>KIT,#1,218/328,SEAL,BUNA C</b>	<b>1</b>
	<i>KIT#1-C218-E</i>	<i>KIT,#1,SEAL,218/328,EPDM C</i>	<i>1</i>
	<i>KIT#1-C218-S</i>	<i>KIT,#1,SEAL,218/328,SFY,VIT C</i>	<i>1</i>



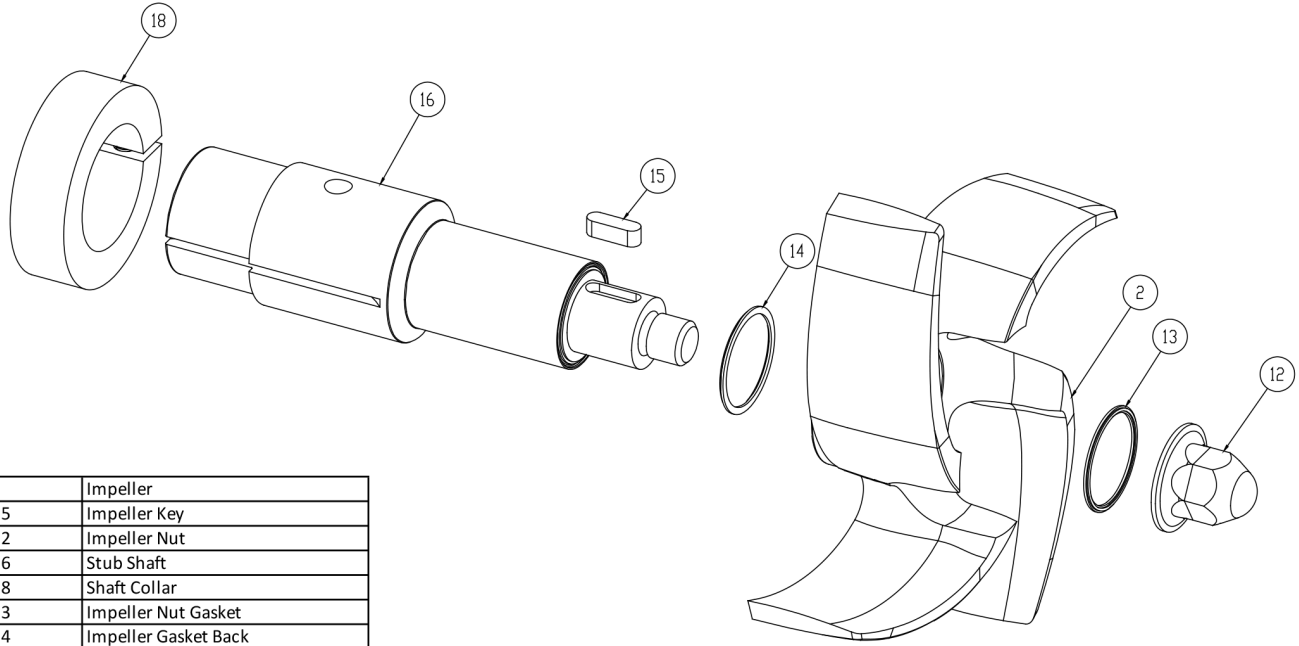


6	Seal Carbon
7	Seal O-Ring
8	Cup D Seal
9	Spring D Seal

**Seal Kit #3**

*Optional Items Shown in ITALICS*

Ref #	Component Item No.	Description	Qty Per
1	<b>KIT#3-C218-B</b>	<b>KIT,#3,218/328,SEAL,BUNA C</b>	<b>1</b>
	<i>KIT#3-C218-E</i>	<i>KIT,#3,SEAL,218/328,EPDM C</i>	<i>1</i>
	<i>KIT#3-C218-S</i>	<i>KIT,#3,SEAL,218/328,SFY,VIT C</i>	<i>1</i>

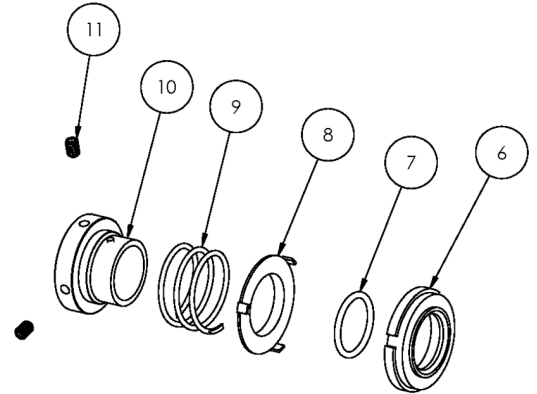
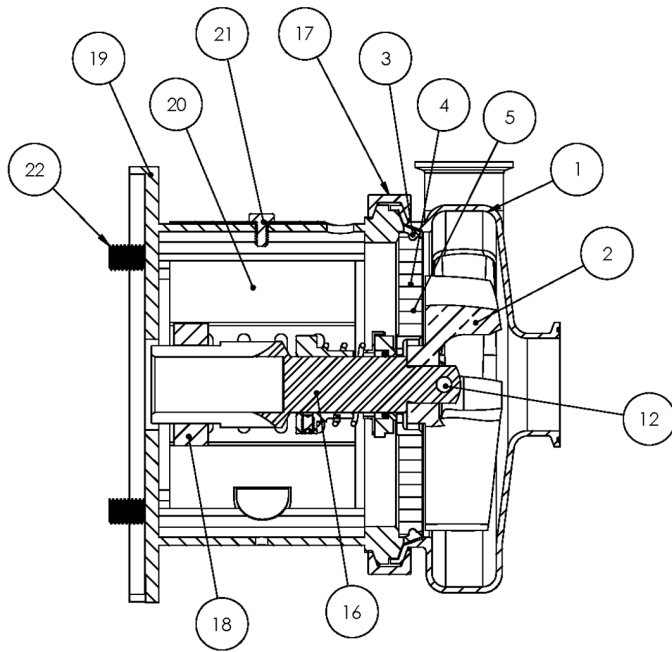


2	Impeller
15	Impeller Key
12	Impeller Nut
16	Stub Shaft
18	Shaft Collar
13	Impeller Nut Gasket
14	Impeller Gasket Back

**AC+ Conversion Kit**

*Optional Items Shown in ITALICS*

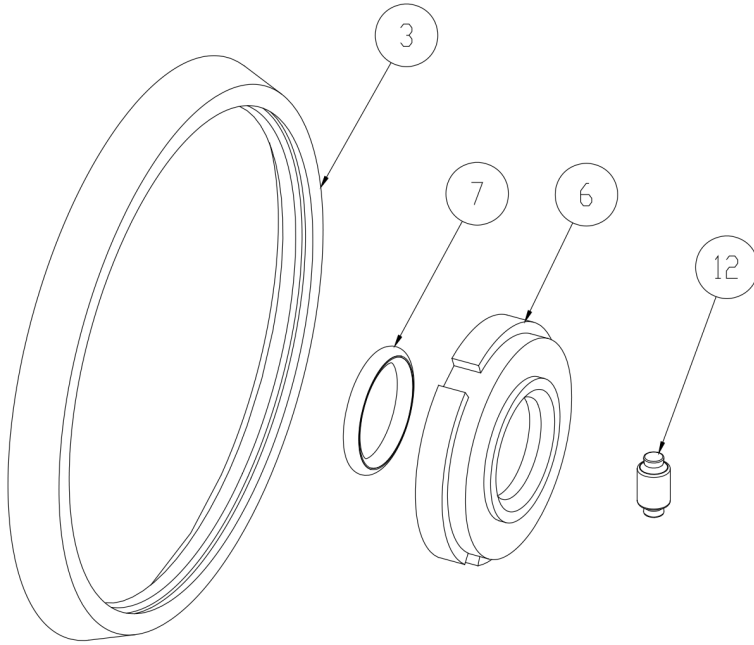
Ref #	Component Item No.	Description	Qty Per
1	<b>C+KIT-218/25</b>	<b>KIT,218,250TC,C+CONVRT,BUNA C</b>	<b>1</b>
	<i>C+KIT-218/25-E</i>	<i>KIT,218,250TC,C+CONVRT,EPDM C</i>	<i>1</i>
	<i>C+KIT-218/25-V</i>	<i>KIT,218,250TC,C+CONVRT,VIT C</i>	<i>1</i>



**Exploded View**

*Optional Items Shown in ITALICS*

Ref #	Component Item No.	Description	Qty Per
1	<b>S218M-01D-316L</b>	<b>CASING,2X1-1/2,TRI-CLMP C218/C+218</b>	1
	<i>S218T-01C</i>	<i>CASING,2X1-1/2,BVL SEAT C218/C+218</i>	1
	<i>S218MI-01D</i>	<i>CASING,2X1-1/2,CLMP GLASS BEAD C218/C+218</i>	1
	<i>S218S-01C</i>	<i>CASING,2X1-1/2,NPT C218/C+218</i>	1
	<i>S218F-01C</i>	<i>CASING,2X1-1/2,FLNGD C218/C+218</i>	1
2	<b>S218-02C-316L</b>	<b>IMPELLER,218/318 C UNIVERSAL</b>	1
3	<b>S328-90A-U</b>	<b>GASKET,218/328,CASING,BUNA C C+</b>	1
	<i>S328-90A-E</i>	<i>GASKET,218/328,CASING,EPDM C C+</i>	1
	<i>S328-90A-V</i>	<i>GASKET,218/328,CASING,VIT C C+</i>	1
4	<b>328D-11-316</b>	<b>BACKPLATE,D,218/328,+218/+328 C C+</b>	1
5	<b>216D-11-1-S</b>	<b>PIN,BACKPLT,114/216/328 C C+</b>	2
6	<b>328E-80-1A</b>	<b>SEAL,218/328,3218,CARBON C C+</b>	1
7	<b>S328-80-2-U</b>	<b>O-RING,218/328,SEAL,BUNA C C+</b>	1
	<i>S328-80-2-E</i>	<i>O-RING,218/328,SEAL,EPDM,2-222 C C+</i>	1
	<i>S328-80-2-V</i>	<i>O-RING,218/328,SEAL,VIT C C+</i>	1
8	<b>328D-80-3P</b>	<b>CUP,D,218/318/328/428 C C+</b>	1
9	<b>328D-80-4</b>	<b>SPRING,D,218/328/428,+3218 C C+ DB</b>	1
10	<b>SP328D-23P-S</b>	<b>COLLAR,D,218/328/+3218,DRIVE C C+</b>	1
11	<b>SC1105A-SS</b>	<b>SCREW,SET,DRV COLLR,1/4-20X3/8 -SS</b>	2
12	<b>328D-24B-316L</b>	<b>RETAINER,IMPLR</b>	1
16	<b>CS328E28T-06</b>	<b>STUBSHAFT,280TC,UNIVRSL C218/C328</b>	1
17	<b>S328-75AR-S</b>	<b>CLAMP,218/328,CASING C C+</b>	1
18	<b>SX18000027</b>	<b>COLLAR,280TC/320TSC,SHAFT LC</b>	1
19	<b>328D28T-71C-SS</b>	<b>ADAPTER,280TC/TSC FRAME,SS C218/C328/C+218/C+328</b>	1
20	<b>C328-28T-131-S</b>	<b>GUARD,SEAL,218/328/428/4410,SS C C+</b>	1
21	<b>GX5079600</b>	<b>CAPSCRW,HX,1/4-20X1/2,18-8SS HX HD</b>	1
22	<b>SC1710H-SS</b>	<b>CAPSCRW,HX,1/2-13X1,18-8SS HX HD</b>	4

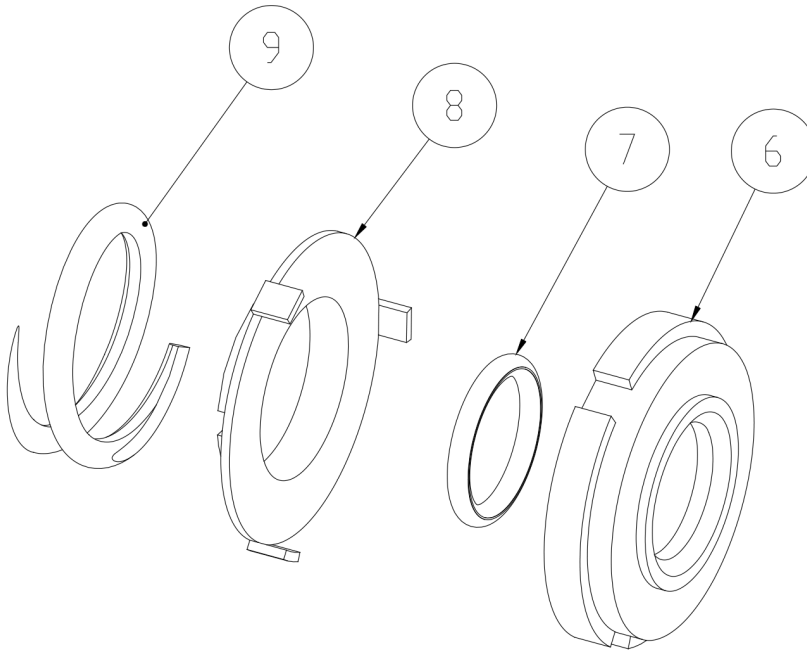


3	Casing Gasket
6	Seal Carbon
7	Seal O-Ring
12	Impeller Pin

**Seal Kit #1**

*Optional Items Shown in ITALICS*

Ref #	Component Item No.	Description	Qty Per
1	<b>KIT#1-C218-B</b>	<b>KIT,#1,218/328,SEAL,BUNA C</b>	<b>1</b>
	<i>KIT#1-C218-E</i>	<i>KIT,#1,SEAL,218/328,EPDM C</i>	<i>1</i>
	<i>KIT#1-C218-S</i>	<i>KIT,#1,SEAL,218/328,SFY,VIT C</i>	<i>1</i>

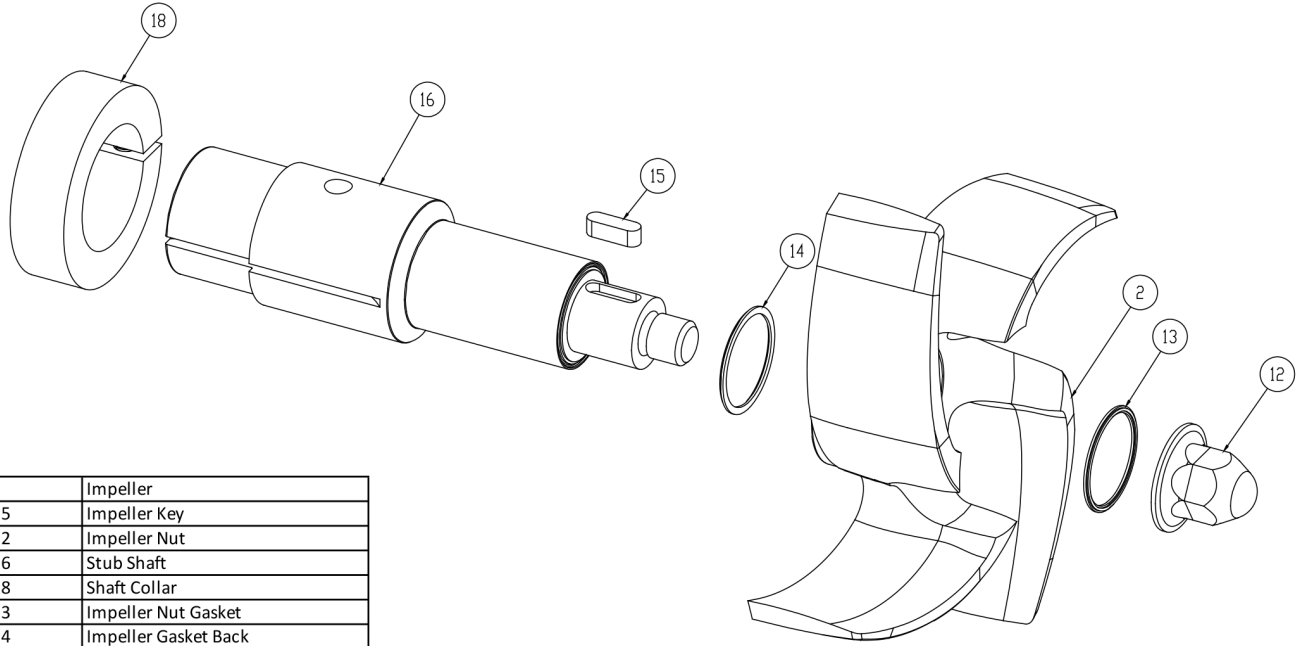


6	Seal Carbon
7	Seal O-Ring
8	Cup D Seal
9	Spring D Seal

**Seal Kit #3**

*Optional Items Shown in ITALICS*

Ref #	Component Item No.	Description	Qty Per
1	<b>KIT#3-C218-B</b>	<b>KIT,#3,218/328,SEAL,BUNA C</b>	<b>1</b>
	<i>KIT#3-C218-E</i>	<i>KIT,#3,SEAL,218/328,EPDM C</i>	<i>1</i>
	<i>KIT#3-C218-S</i>	<i>KIT,#3,SEAL,218/328,SFY,VIT C</i>	<i>1</i>

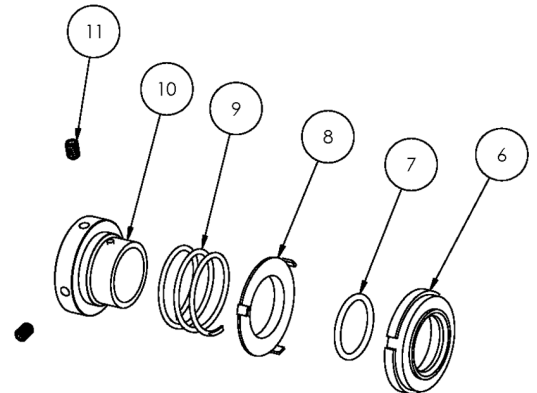
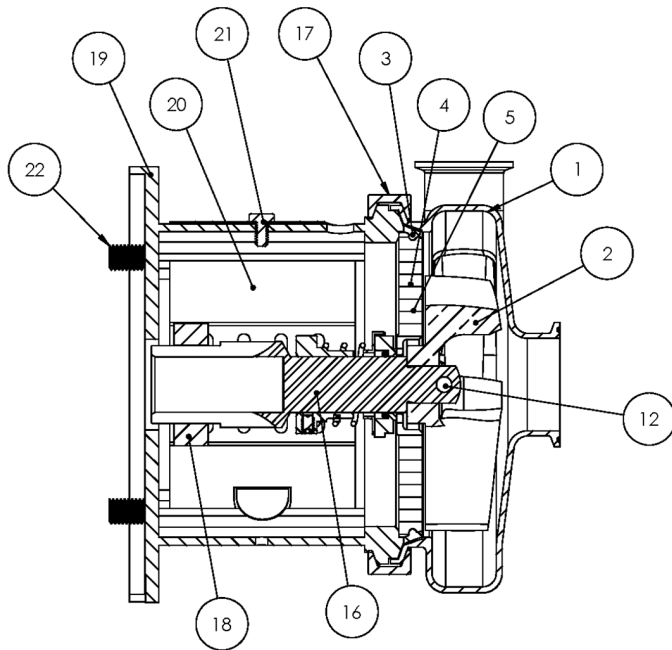


2	Impeller
15	Impeller Key
12	Impeller Nut
16	Stub Shaft
18	Shaft Collar
13	Impeller Nut Gasket
14	Impeller Gasket Back

**AC+ Conversion Kit**

*Optional Items Shown in ITALICS*

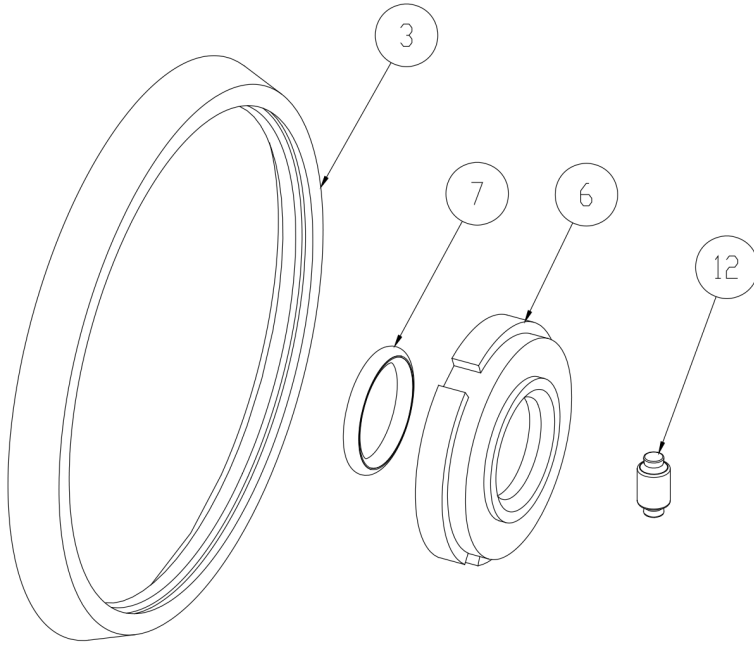
Ref #	Component Item No.	Description	Qty Per
1	<b>C+KIT-218/28</b>	<b>KIT,218,280TC,C+CONVRT,BUNA C</b>	<b>1</b>
	<i>C+KIT-218/28-E</i>	<i>KIT,218,280TC,C+CONVRT,EPDM C</i>	<i>1</i>
	<i>C+KIT-218/28-V</i>	<i>KIT,218,280TC,C+CONVRT,VIT C</i>	<i>1</i>



**Exploded View**

*Optional Items Shown in ITALICS*

Ref #	Component Item No.	Description	Qty Per
1	<b>S218M-01D-316L</b>	<b>CASING,2X1-1/2,TRI-CLMP C218/C+218</b>	1
	<i>S218T-01C</i>	<i>CASING,2X1-1/2,BVL SEAT C218/C+218</i>	1
	<i>S218MI-01D</i>	<i>CASING,2X1-1/2,CLMP GLASS BEAD C218/C+218</i>	1
	<i>S218S-01C</i>	<i>CASING,2X1-1/2,NPT C218/C+218</i>	1
	<i>S218F-01C</i>	<i>CASING,2X1-1/2,FLNGD C218/C+218</i>	1
2	<b>S218-02C-316L</b>	<b>IMPELLER,218/318 C UNIVERSAL</b>	1
3	<b>S328-90A-U</b>	<b>GASKET,218/328,CASING,BUNA C C+</b>	1
	<i>S328-90A-E</i>	<i>GASKET,218/328,CASING,EPDM C C+</i>	1
	<i>S328-90A-V</i>	<i>GASKET,218/328,CASING,VIT C C+</i>	1
4	<b>328D-11-316</b>	<b>BACKPLATE,D,218/328,+218/+328 C C+</b>	1
5	<b>216D-11-1-S</b>	<b>PIN,BACKPLT,114/216/328 C C+</b>	2
6	<b>328E-80-1A</b>	<b>SEAL,218/328,3218,CARBON C C+</b>	1
7	<b>S328-80-2-U</b>	<b>O-RING,218/328,SEAL,BUNA C C+</b>	1
	<i>S328-80-2-E</i>	<i>O-RING,218/328,SEAL,EPDM,2-222 C C+</i>	1
	<i>S328-80-2-V</i>	<i>O-RING,218/328,SEAL,VIT C C+</i>	1
8	<b>328D-80-3P</b>	<b>CUP,D,218/318/328/428 C C+</b>	1
9	<b>328D-80-4</b>	<b>SPRING,D,218/328/428,+3218 C C+ DB</b>	1
10	<b>SP328D-23P-S</b>	<b>COLLAR,D,218/328/+3218,DRIVE C C+</b>	1
11	<b>SC1105A-SS</b>	<b>SCREW,SET,DRV COLLR,1/4-20X3/8 -SS</b>	2
12	<b>328D-24B-316L</b>	<b>RETAINER,IMPLR</b>	1
16	<b>CS328E28TS-06</b>	<b>STUBSHAFT,280TSC,UNIVRSL C218/C328</b>	1
17	<b>S328-75AR-S</b>	<b>CLAMP,218/328,CASING C C+</b>	1
18	<b>SX18000035</b>	<b>COLLAR,250TC/280TSC,SHAFT LC</b>	1
19	<b>328D28T-71C-SS</b>	<b>ADAPTER,280TC/TSC FRAME,SS C218/C328/C+218/C+328</b>	1
20	<b>C328-28T-131-S</b>	<b>GUARD,SEAL,218/328/428/4410,SS C C+</b>	1
21	<b>GX5079600</b>	<b>CAPSCRW,HX,1/4-20X1/2,18-8SS HX HD</b>	1
22	<b>SC1710H-SS</b>	<b>CAPSCRW,HX,1/2-13X1,18-8SS HX HD</b>	4



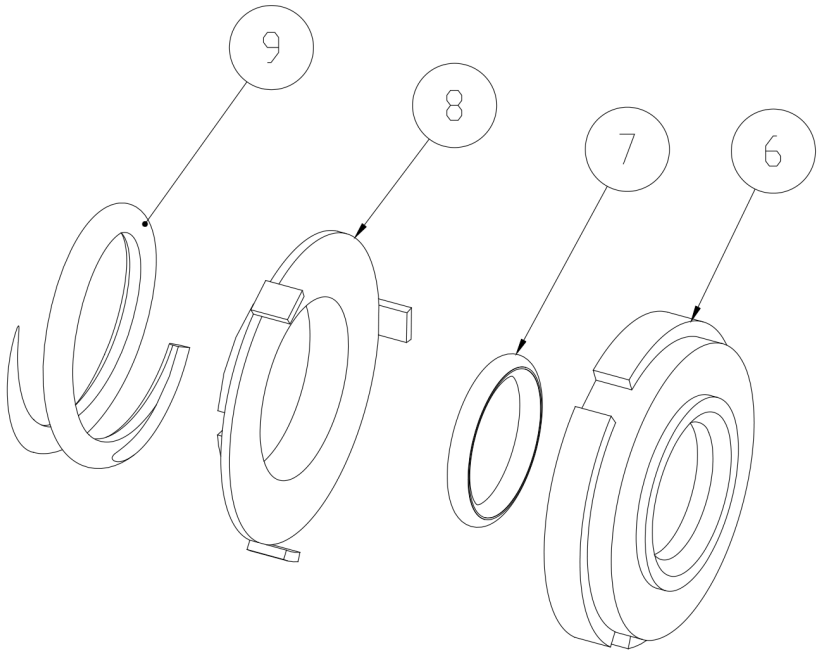
3	Casing Gasket
6	Seal Carbon
7	Seal O-Ring
12	Impeller Pin

**Seal Kit #1**

*Optional Items Shown in ITALICS*

Ref #	Component Item No.	Description	Qty Per
1	<b>KIT#1-C218-B</b>	<b>KIT,#1,218/328,SEAL,BUNA C</b>	<b>1</b>
	<i>KIT#1-C218-E</i>	<i>KIT,#1,SEAL,218/328,EPDM C</i>	<i>1</i>
	<i>KIT#1-C218-S</i>	<i>KIT,#1,SEAL,218/328,SFY,VIT C</i>	<i>1</i>



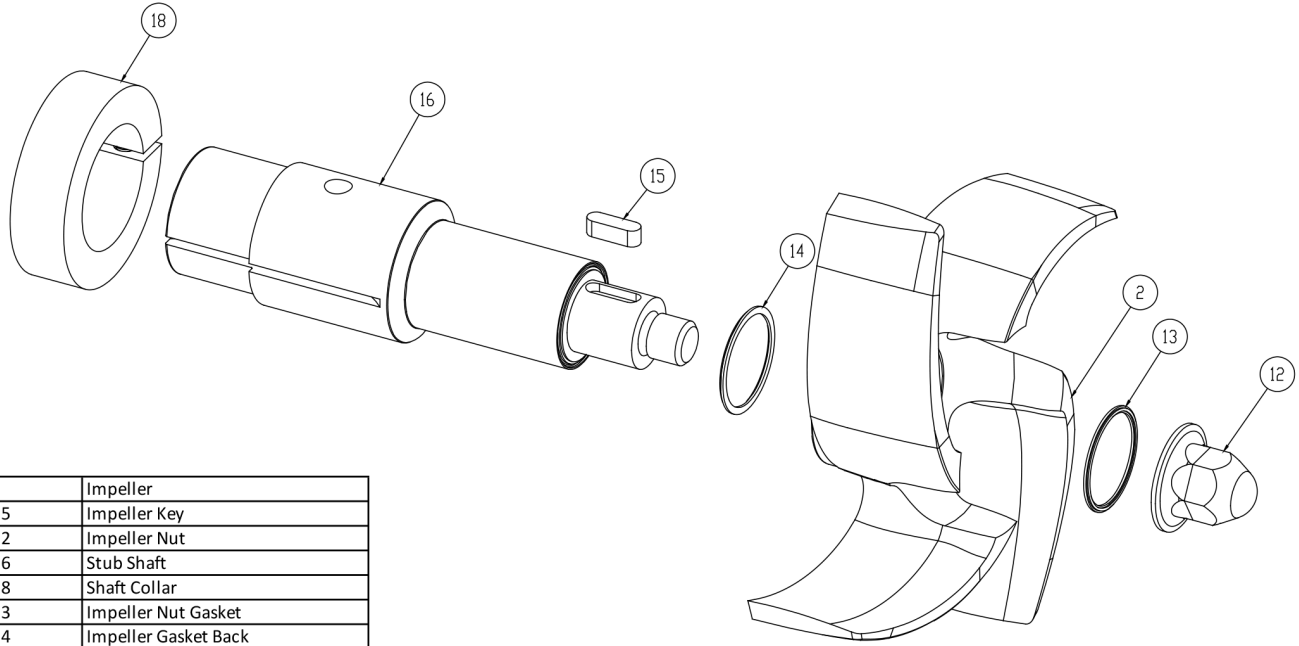


6	Seal Carbon
7	Seal O-Ring
8	Cup D Seal
9	Spring D Seal

**Seal Kit #3**

*Optional Items Shown in ITALICS*

Ref #	Component Item No.	Description	Qty Per
1	<b>KIT#3-C218-B</b>	<b>KIT,#3,218/328,SEAL,BUNA C</b>	<b>1</b>
	<i>KIT#3-C218-E</i>	<i>KIT,#3,SEAL,218/328,EPDM C</i>	<i>1</i>
	<i>KIT#3-C218-S</i>	<i>KIT,#3,SEAL,218/328,SFY,VIT C</i>	<i>1</i>

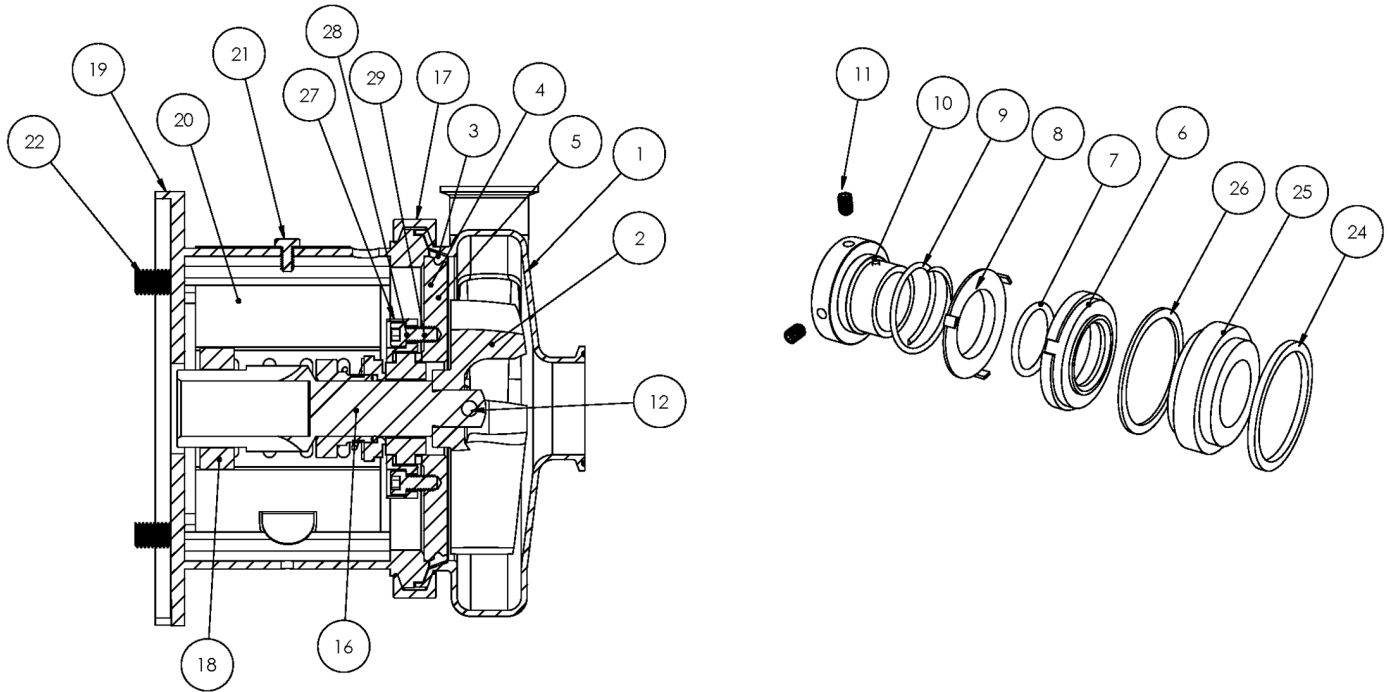


2	Impeller
15	Impeller Key
12	Impeller Nut
16	Stub Shaft
18	Shaft Collar
13	Impeller Nut Gasket
14	Impeller Gasket Back

**AC+ Conversion Kit**

*Optional Items Shown in ITALICS*

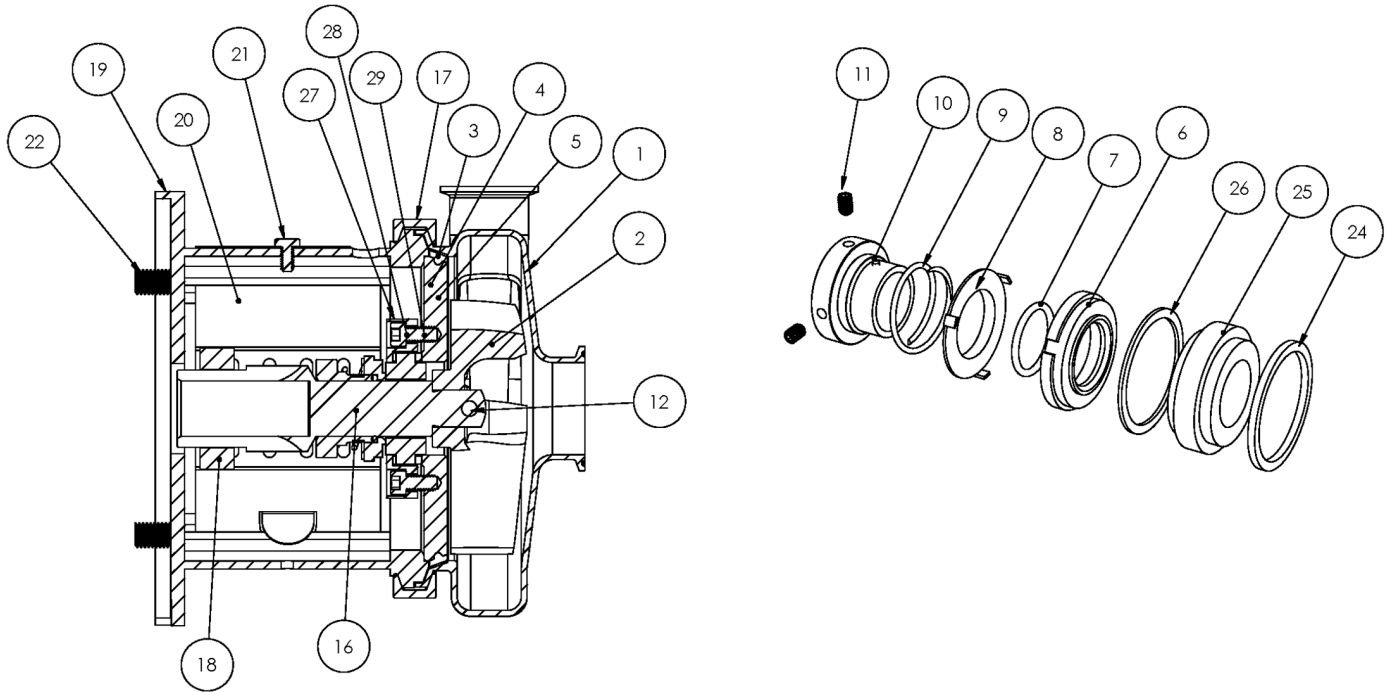
Ref #	Component Item No.	Description	Qty Per
1	<b>C+KIT-218/28TS</b>	<b>KIT,218,280TSC,C+CONVRT,BUNA C</b>	<b>1</b>
	<i>C+KIT-218/28TSE</i>	<i>KIT,218,280TSC,C+CONVRT,EPDM C</i>	<i>1</i>
	<i>C+KIT-218/28TSV</i>	<i>KIT,218,280TSC,C+CONVRT,VIT C</i>	<i>1</i>



**Exploded View**

*Optional Items Shown in ITALICS*

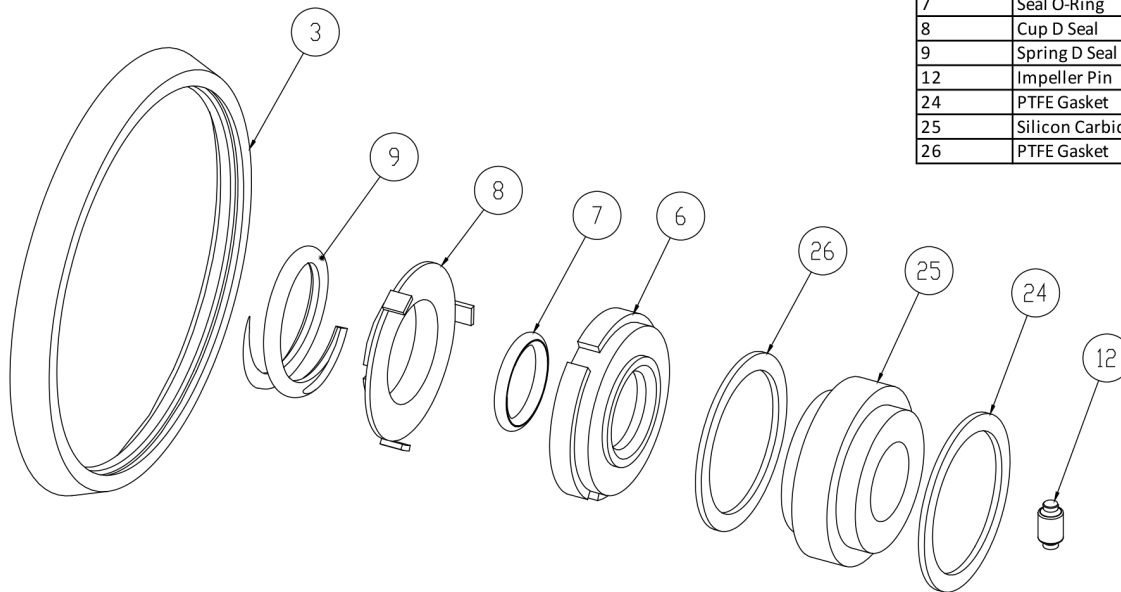
Ref #	Component Item No.	Description	Qty Per
1	<b>S218M-01D-316L</b>	<b>CASING,2X1-1/2,TRI-CLMP C218/C+218</b>	1
	<i>S218T-01C</i>	<i>CASING,2X1-1/2,BVL SEAT C218/C+218</i>	1
	<i>S218MI-01D</i>	<i>CASING,2X1-1/2,CLMP GLASS BEAD C218/C+218</i>	1
	<i>S218S-01C</i>	<i>CASING,2X1-1/2,NPT C218/C+218</i>	1
	<i>S218F-01C</i>	<i>CASING,2X1-1/2,FLNGD C218/C+218</i>	1
2	<b>S218-02C-316L</b>	<b>IMPELLER,218/318 C UNIVERSAL</b>	1
3	<b>S328-90A-U</b>	<b>GASKET,218/328,CASING,BUNA C C+</b>	1
	<i>S328-90A-E</i>	<i>GASKET,218/328,CASING,EPDM C C+</i>	1
	<i>S328-90A-V</i>	<i>GASKET,218/328,CASING,VIT C C+</i>	1
4	<b>SP328G-11-316L</b>	<b>BACKPLATE,DG,218/328 C C+</b>	1
5	<b>216D-11-1-S</b>	<b>PIN,BACKPLT,114/216/328 C C+</b>	2
6	<b>328E-80-1A</b>	<b>SEAL,218/328,3218,CARBON C C+</b>	1
	<i>328E-80-1SC</i>	<i>SEAL,328,RTRY,SILC CARB C C+</i>	1
7	<b>S328-80-2-U</b>	<b>O-RING,218/328,SEAL,BUNA C C+</b>	1
	<i>S328-80-2-E</i>	<i>O-RING,218/328,SEAL,EPDM,2-222 C C+</i>	1
	<i>S328-80-2-V</i>	<i>O-RING,218/328,SEAL,VIT C C+</i>	1
8	<b>328D-80-3P</b>	<b>CUP,D,218/318/328/428 C C+</b>	1
9	<b>328D-80-4</b>	<b>SPRING,D,218/328/428,+3218 C C+ DB</b>	1
10	<b>SP328D-23P-S</b>	<b>COLLAR,D,218/328/+3218,DRIVE C C+</b>	1
11	<b>SC1105A-SS</b>	<b>SCREW,SET,DRV COLLR,1/4-20X3/8 -SS</b>	2
12	<b>328D-24B-316L</b>	<b>RETAINER,IMPLR</b>	1
16	<b>CS328E14T-06</b>	<b>STUBSHAFT,140TC,UNIVRSL C218/C328</b>	1
17	<b>S328-75AR-S</b>	<b>CLAMP,218/328,CASING C C+</b>	1
18	<b>SX18000013</b>	<b>COLLAR,56C/140TC,SHAFT L SEE ITEM NOTES</b>	1
19	<b>328D14T-71C-SS</b>	<b>ADAPTER,140TC FRAME,SS C218/C328/C+218/C+328</b>	1
20	<b>C328-14T-131-S</b>	<b>GUARD,SEAL,218/328,SS C C+ CB+</b>	1
21	<b>GX5079600</b>	<b>CAPSCRW,HX,1/4-20X1/2,18-8SS HX HD</b>	1



**Exploded View**

*Optional Items Shown in ITALICS*

Ref #	Component Item No.	Description	Qty Per
22	SC1710H-SS	CAPSCRW,HX,1/2-13X1,18-8SS HX HD	4
24	SP328G-80-12AG	GASKET,218/328,DG,THK,PTFE C C+	1
25	SP328G-80-11SC	SEAT,218/328,DG,SEAL,SILC CARB C C+	1
	<i>SP328G-80-11TC</i>	<i>SEAT,328,DG,SEAL,TUNG CARB C C+</i>	1
	<i>SP328G-80-11CER</i>	<i>SEAT,328,DG,SEAL,CERAMIC C C+</i>	1
26	SP328G-80-12G	GASKET,218/328,DG,THN,PTFE C C+	1
27	SP328G-17-316L	RING,218/328,GLAND,DG C C+	1
28	SC1310H-SS	CAPSCRW,HX,5/16-18X1-1/8,18-8S HX HD	4
29	LWA-1300-SS	WASHER,LOCK,5/16,18-8SS	4

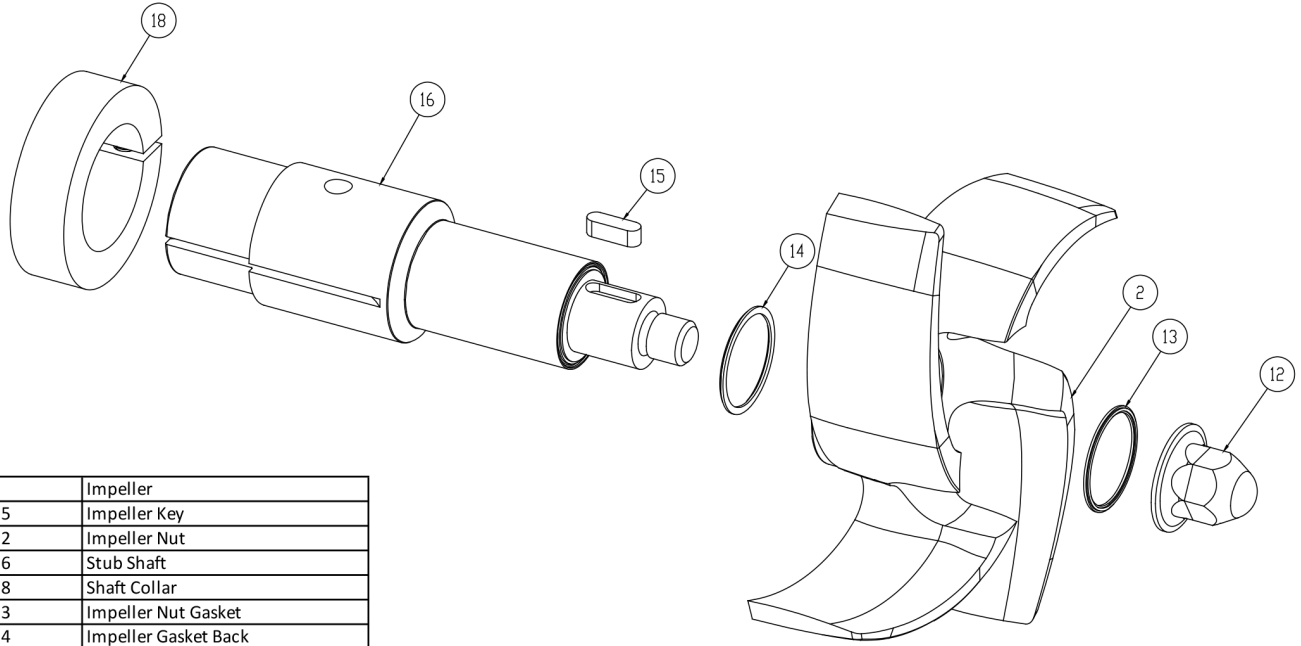


3	Casing Gasket
6	Seal Carbon
7	Seal O-Ring
8	Cup D Seal
9	Spring D Seal
12	Impeller Pin
24	PTFE Gasket
25	Silicon Carbide Seat
26	PTFE Gasket

**Seal Kit DG**

*Optional Items Shown in ITALICS*

Ref #	Component Item No.	Description	Qty Per
1	<b>KITDG-C218-B</b>	<b>KIT,218/328,DG,SEAL,BUNA C</b>	<b>1</b>
	<i>KITDG-C218-E</i>	<i>KIT,218/328,DG SEAL,EPDM C</i>	<i>1</i>
	<i>KITDG-C218-S</i>	<i>KIT,218/328,DG,SEAL,VIT C</i>	<i>1</i>

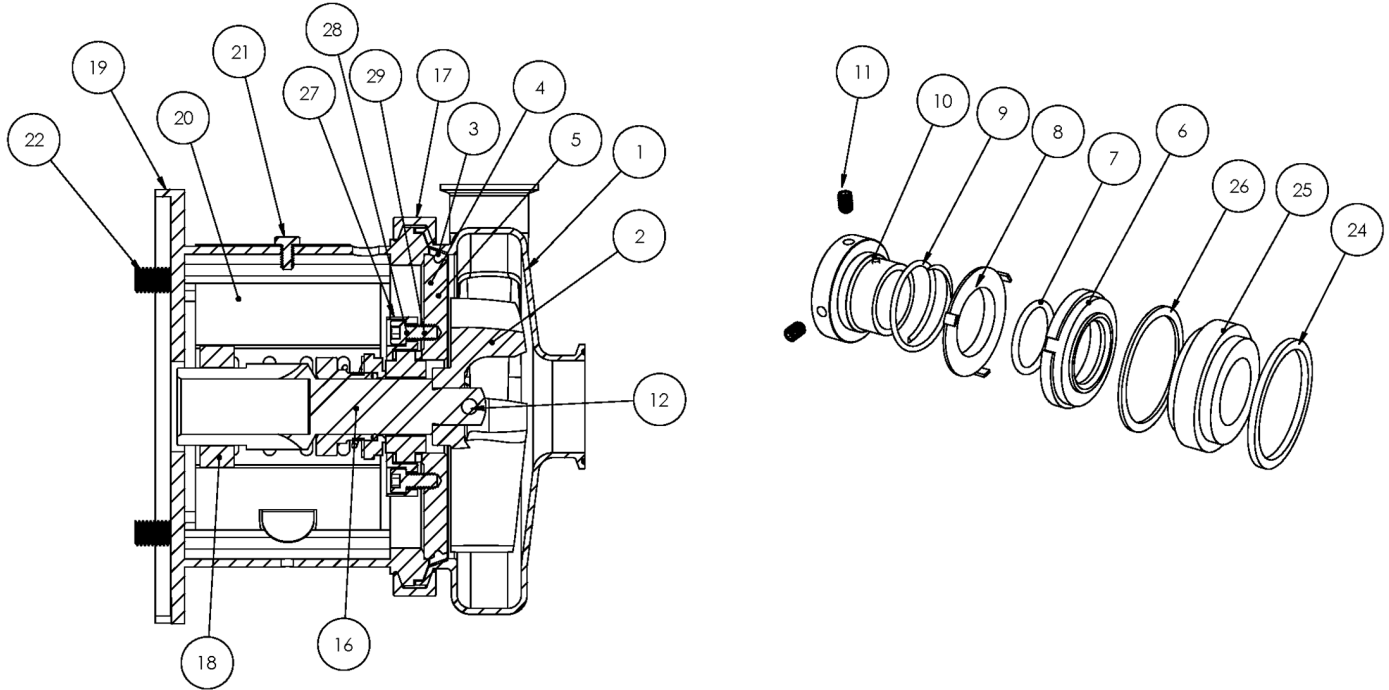


2	Impeller
15	Impeller Key
12	Impeller Nut
16	Stub Shaft
18	Shaft Collar
13	Impeller Nut Gasket
14	Impeller Gasket Back

**AC+ Conversion Kit**

*Optional Items Shown in ITALICS*

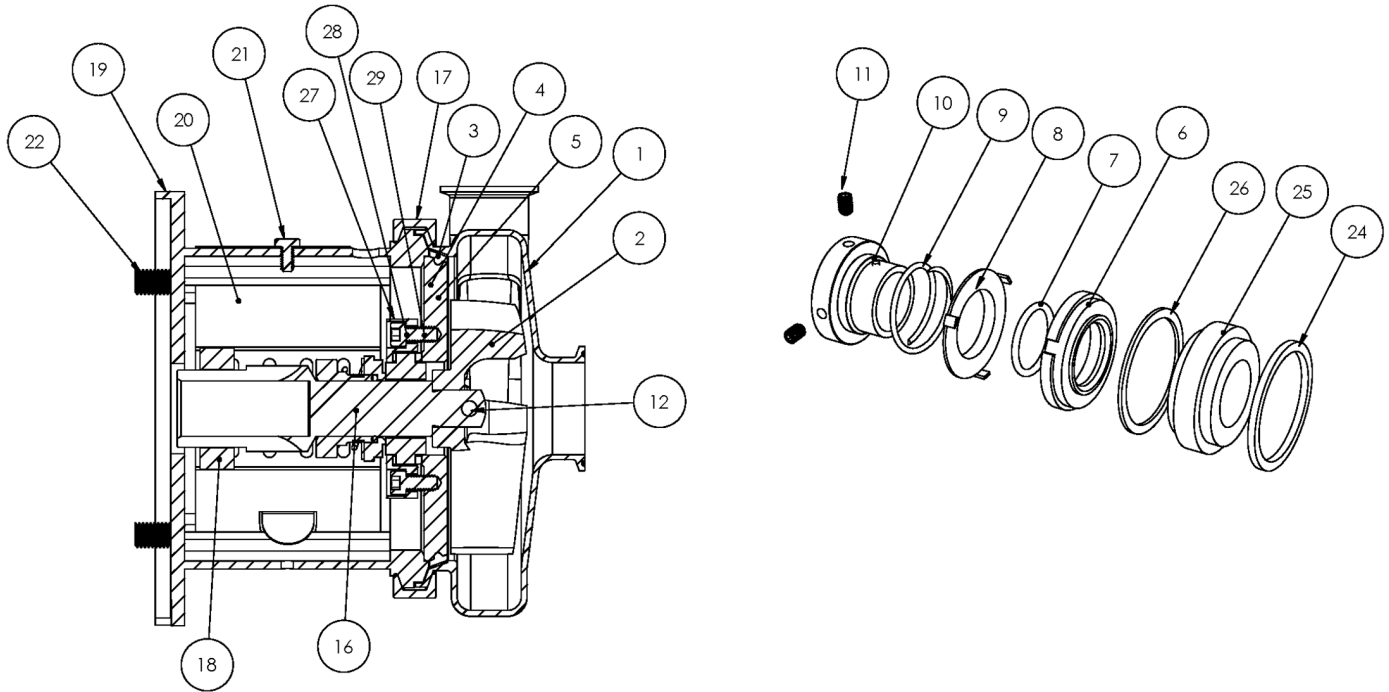
Ref #	Component Item No.	Description	Qty Per
1	<b>C+KIT-218/14</b>	<b>KIT,218,140TC,C+CONVRT,BUNA C</b>	<b>1</b>
	<i>C+KIT-218/14-E</i>	<i>KIT,218,140TC,C+CONVRT,EPDM C</i>	<i>1</i>
	<i>C+KIT-218/14-V</i>	<i>KIT,218,140TC,C+CONVRT,VIT C</i>	<i>1</i>



**Exploded View**

*Optional Items Shown in ITALICS*

Ref #	Component Item No.	Description	Qty Per
1	<b>S218M-01D-316L</b>	<b>CASING,2X1-1/2,TRI-CLMP C218/C+218</b>	1
	<i>S218T-01C</i>	<i>CASING,2X1-1/2,BVL SEAT C218/C+218</i>	1
	<i>S218MI-01D</i>	<i>CASING,2X1-1/2,CLMP GLASS BEAD C218/C+218</i>	1
	<i>S218S-01C</i>	<i>CASING,2X1-1/2,NPT C218/C+218</i>	1
	<i>S218F-01C</i>	<i>CASING,2X1-1/2,FLNGD C218/C+218</i>	1
2	<b>S218-02C-316L</b>	<b>IMPELLER,218/318 C UNIVERSAL</b>	1
3	<b>S328-90A-U</b>	<b>GASKET,218/328,CASING,BUNA C C+</b>	1
	<i>S328-90A-E</i>	<i>GASKET,218/328,CASING,EPDM C C+</i>	1
	<i>S328-90A-V</i>	<i>GASKET,218/328,CASING,VIT C C+</i>	1
4	<b>SP328G-11-316L</b>	<b>BACKPLATE,DG,218/328 C C+</b>	1
5	<b>216D-11-1-S</b>	<b>PIN,BACKPLT,114/216/328 C C+</b>	2
6	<b>328E-80-1A</b>	<b>SEAL,218/328,3218,CARBON C C+</b>	1
	<i>328E-80-1SC</i>	<i>SEAL,328,RTRY,SILC CARB C C+</i>	1
7	<b>S328-80-2-U</b>	<b>O-RING,218/328,SEAL,BUNA C C+</b>	1
	<i>S328-80-2-E</i>	<i>O-RING,218/328,SEAL,EPDM,2-222 C C+</i>	1
	<i>S328-80-2-V</i>	<i>O-RING,218/328,SEAL,VIT C C+</i>	1
8	<b>328D-80-3P</b>	<b>CUP,D,218/318/328/428 C C+</b>	1
9	<b>328D-80-4</b>	<b>SPRING,D,218/328/428,+3218 C C+ DB</b>	1
10	<b>SP328D-23P-S</b>	<b>COLLAR,D,218/328/+3218,DRIVE C C+</b>	1
11	<b>SC1105A-SS</b>	<b>SCREW,SET,DRV COLLR,1/4-20X3/8 -SS</b>	2
12	<b>328D-24B-316L</b>	<b>RETAINER,IMPLR</b>	1
17	<b>S328-75AR-S</b>	<b>CLAMP,218/328,CASING C C+</b>	1
18	<b>SX18000014</b>	<b>COLLAR,180TC,SHAFT LC</b>	1
19	<b>328D18T-71C-SS</b>	<b>ADAPTER,180TC FRAME,SS C218/C328/C+218/C+328</b>	1
20	<b>C328-18T-131-S</b>	<b>GUARD,SEAL,21/318/328/428,SS C C+ IC+ 180TC</b>	1
21	<b>GX5079600</b>	<b>CAPSCRW,HX,1/4-20X1/2,18-8SS HX HD</b>	1
22	<b>SC1710H-SS</b>	<b>CAPSCRW,HX,1/2-13X1,18-8SS HX HD</b>	4

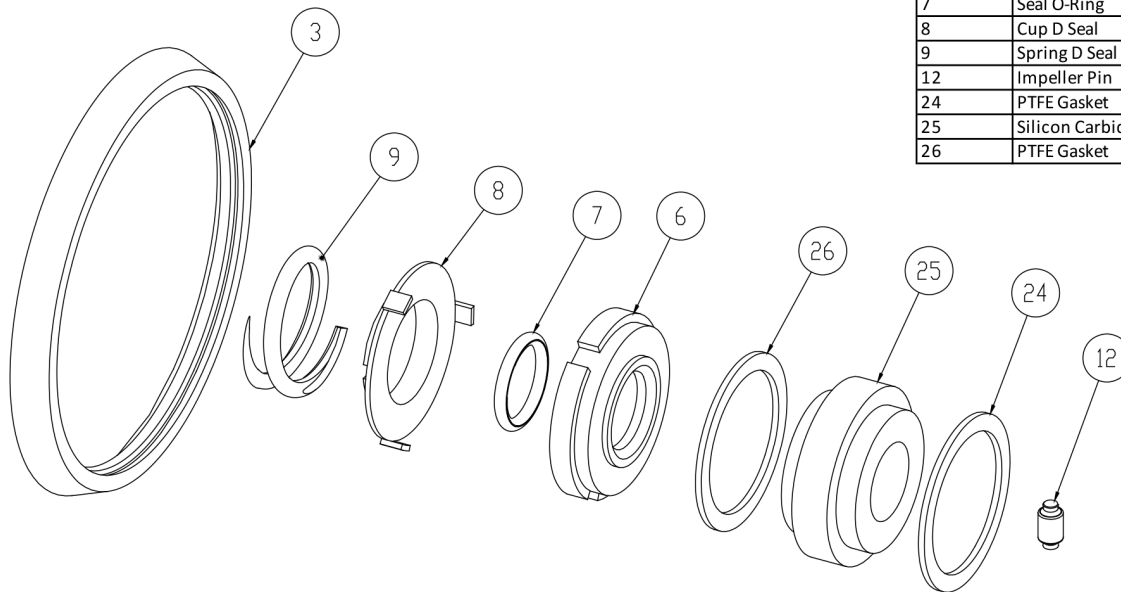


**Exploded View**

*Optional Items Shown in ITALICS*

Ref #	Component Item No.	Description	Qty Per
24	SP328G-80-12AG	GASKET,218/328,DG,THK,PTFE C C+	1
25	SP328G-80-11SC	SEAT,218/328,DG,SEAL,SILC CARB C C+	1
	<i>SP328G-80-11TC</i>	<i>SEAT,328,DG,SEAL,TUNG CARB C C+</i>	1
	<i>SP328G-80-11CER</i>	<i>SEAT,328,DG,SEAL,CERAMIC C C+</i>	1
26	SP328G-80-12G	GASKET,218/328,DG,THN,PTFE C C+	1
27	SP328G-17-316L	RING,218/328,GLAND,DG C C+	1
28	SC1310H-SS	CAPSCRW,HX,5/16-18X1-1/8,18-8S HX HD	4
29	LWA-1300-SS	WASHER,LOCK,5/16,18-8SS	4



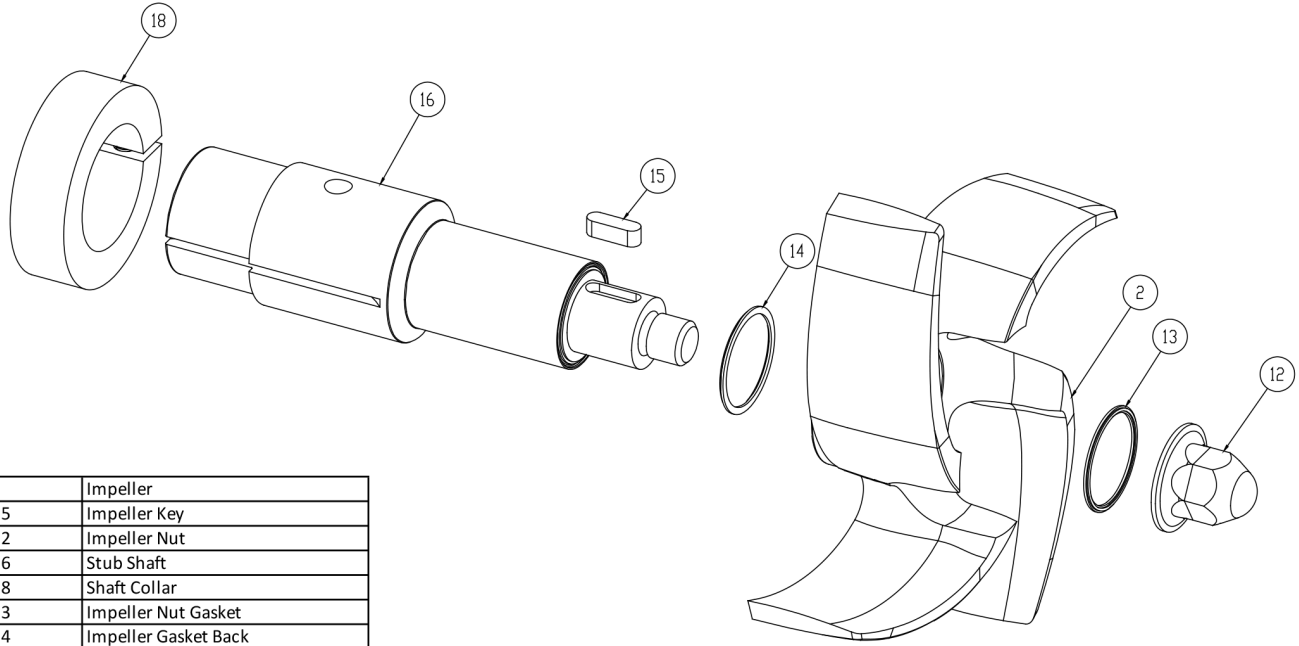


3	Casing Gasket
6	Seal Carbon
7	Seal O-Ring
8	Cup D Seal
9	Spring D Seal
12	Impeller Pin
24	PTFE Gasket
25	Silicon Carbide Seat
26	PTFE Gasket

**Seal Kit DG**

*Optional Items Shown in ITALICS*

Ref #	Component Item No.	Description	Qty Per
1	<b>KITDG-C218-B</b>	<b>KIT,218/328,DG,SEAL,BUNA C</b>	<b>1</b>
	<i>KITDG-C218-E</i>	<i>KIT,218/328,DG SEAL,EPDM C</i>	<i>1</i>
	<i>KITDG-C218-S</i>	<i>KIT,218/328,DG,SEAL,VIT C</i>	<i>1</i>

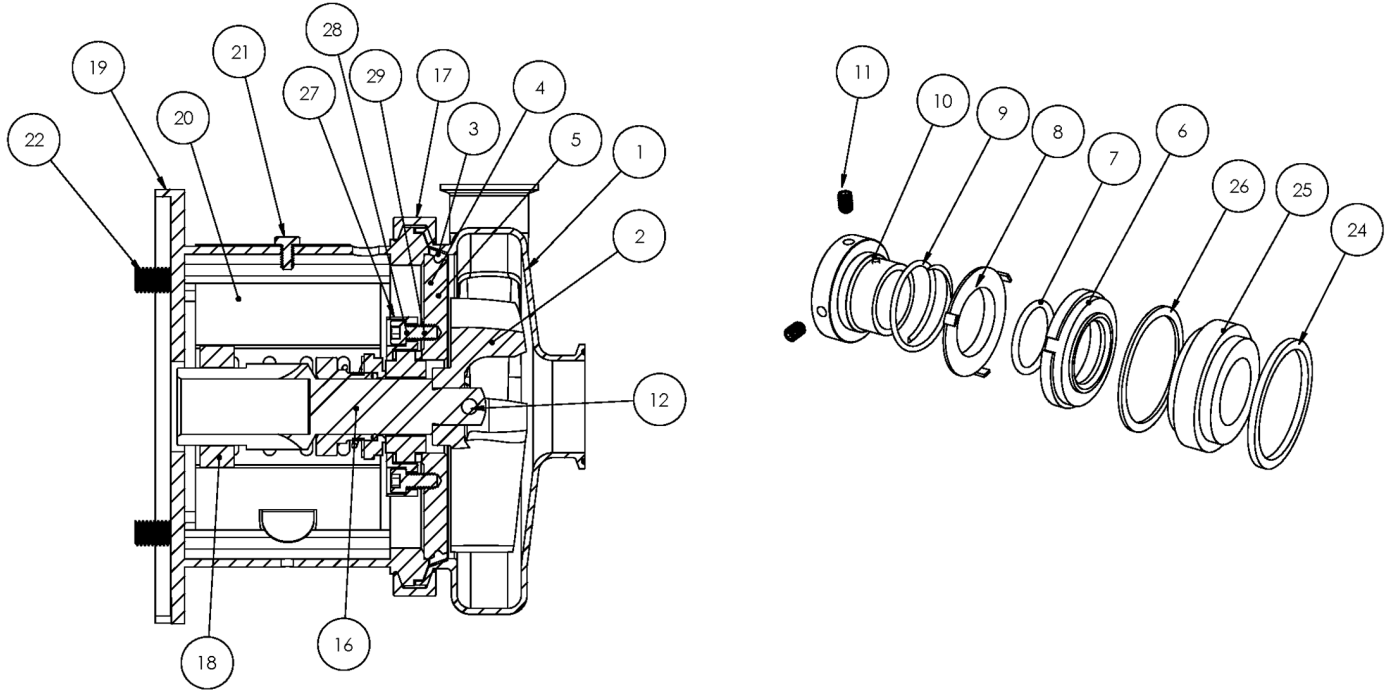


2	Impeller
15	Impeller Key
12	Impeller Nut
16	Stub Shaft
18	Shaft Collar
13	Impeller Nut Gasket
14	Impeller Gasket Back

**AC+ Conversion Kit**

*Optional Items Shown in ITALICS*

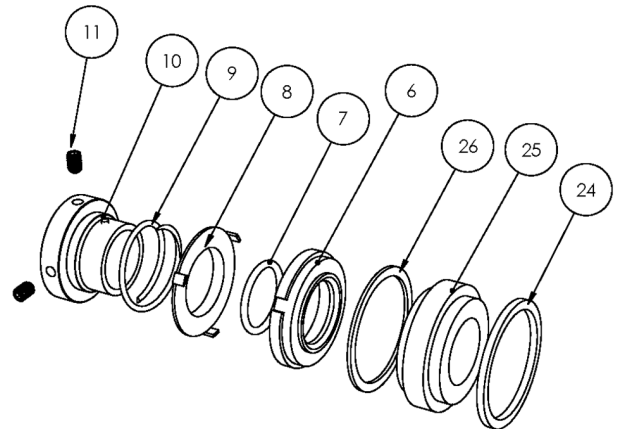
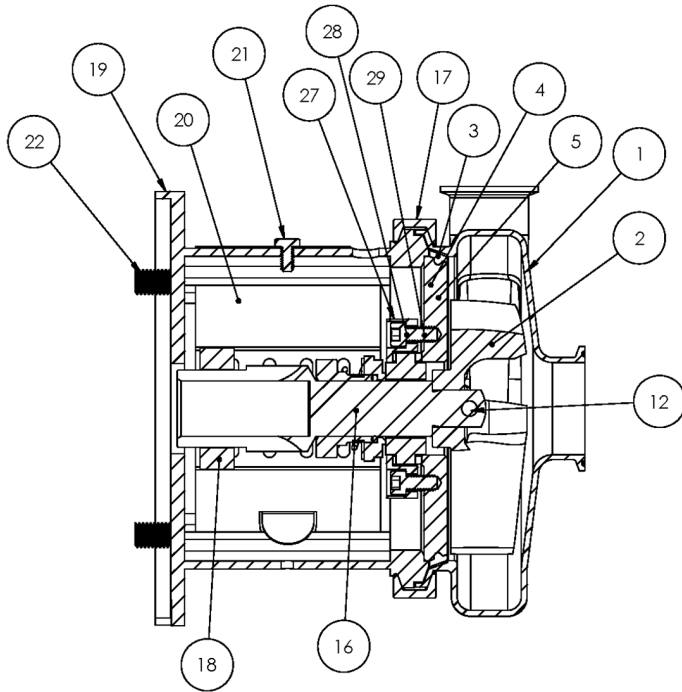
Ref #	Component Item No.	Description	Qty Per
1	<b>C+KIT-218/18</b>	<b>KIT,218,180TC,C+CONVRT,BUNA C</b>	<b>1</b>
	<i>C+KIT-218/18-E</i>	<i>KIT,218,180TC,C+CONVRT,EPDM C</i>	<i>1</i>
	<i>C+KIT-218/18-V</i>	<i>KIT,218,180TC,C+CONVRT,VIT C</i>	<i>1</i>



**Exploded View**

*Optional Items Shown in ITALICS*

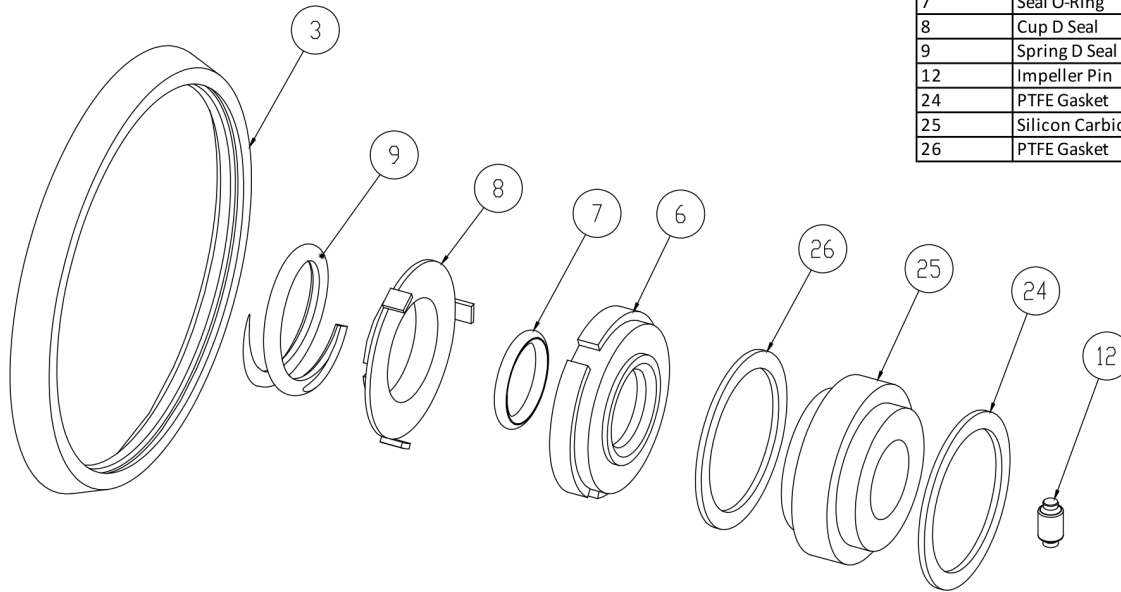
Ref #	Component Item No.	Description	Qty Per
1	<b>S218M-01D-316L</b>	<b>CASING,2X1-1/2,TRI-CLMP C218/C+218</b>	1
	<i>S218T-01C</i>	<i>CASING,2X1-1/2,BVL SEAT C218/C+218</i>	1
	<i>S218MI-01D</i>	<i>CASING,2X1-1/2,CLMP GLASS BEAD C218/C+218</i>	1
	<i>S218S-01C</i>	<i>CASING,2X1-1/2,NPT C218/C+218</i>	1
	<i>S218F-01C</i>	<i>CASING,2X1-1/2,FLNGD C218/C+218</i>	1
2	<b>S218-02C-316L</b>	<b>IMPELLER,218/318 C UNIVERSAL</b>	1
3	<b>S328-90A-U</b>	<b>GASKET,218/328,CASING,BUNA C C+</b>	1
	<i>S328-90A-E</i>	<i>GASKET,218/328,CASING,EPDM C C+</i>	1
	<i>S328-90A-V</i>	<i>GASKET,218/328,CASING,VIT C C+</i>	1
4	<b>SP328G-11-316L</b>	<b>BACKPLATE,DG,218/328 C C+</b>	1
5	<b>216D-11-1-S</b>	<b>PIN,BACKPLT,114/216/328 C C+</b>	2
6	<b>328E-80-1A</b>	<b>SEAL,218/328,3218,CARBON C C+</b>	1
	<i>328E-80-1SC</i>	<i>SEAL,328,RTRY,SILC CARB C C+</i>	1
7	<b>S328-80-2-U</b>	<b>O-RING,218/328,SEAL,BUNA C C+</b>	1
	<i>S328-80-2-E</i>	<i>O-RING,218/328,SEAL,EPDM,2-222 C C+</i>	1
	<i>S328-80-2-V</i>	<i>O-RING,218/328,SEAL,VIT C C+</i>	1
8	<b>328D-80-3P</b>	<b>CUP,D,218/318/328/428 C C+</b>	1
9	<b>328D-80-4</b>	<b>SPRING,D,218/328/428,+3218 C C+ DB</b>	1
10	<b>SP328D-23P-S</b>	<b>COLLAR,D,218/328/+3218,DRIVE C C+</b>	1
11	<b>SC1105A-SS</b>	<b>SCREW,SET,DRV COLLR,1/4-20X3/8 -SS</b>	2
12	<b>328D-24B-316L</b>	<b>RETAINER,IMPLR</b>	1
16	<b>CS328E21T-06</b>	<b>STUBSHAFT,210TC,UNIVRSL C218/C328</b>	1
17	<b>S328-75AR-S</b>	<b>CLAMP,218/328,CASING C C+</b>	1
18	<b>SX18000015</b>	<b>COLLAR,210TC,SHAFT LC</b>	1
19	<b>328D21T-71C-SS</b>	<b>ADAPTER,210TC FRAME,SS C218/C328/C+218/C+328</b>	1
20	<b>C328-21T-131-S</b>	<b>GUARD,SEAL,218/318/328/428,SS C C+ CB+ 210TC</b>	1
21	<b>GX5079600</b>	<b>CAPSCRW,HX,1/4-20X1/2,18-8SS HX HD</b>	1



**Exploded View**

*Optional Items Shown in ITALICS*

Ref #	Component Item No.	Description	Qty Per
22	SC1710H-SS	CAPSCRW,HX,1/2-13X1,18-8SS HX HD	4
24	SP328G-80-12AG	GASKET,218/328,DG,THK,PTFE C C+	1
25	SP328G-80-11SC	SEAT,218/328,DG,SEAL,SILC CARB C C+	1
	<i>SP328G-80-11TC</i>	<i>SEAT,328,DG,SEAL,TUNG CARB C C+</i>	1
	<i>SP328G-80-11CER</i>	<i>SEAT,328,DG,SEAL,CERAMIC C C+</i>	1
26	SP328G-80-12G	GASKET,218/328,DG,THN,PTFE C C+	1
27	SP328G-17-316L	RING,218/328,GLAND,DG C C+	1
28	SC1310H-SS	CAPSCRW,HX,5/16-18X1-1/8,18-8S HX HD	4
29	LWA-1300-SS	WASHER,LOCK,5/16,18-8SS	4

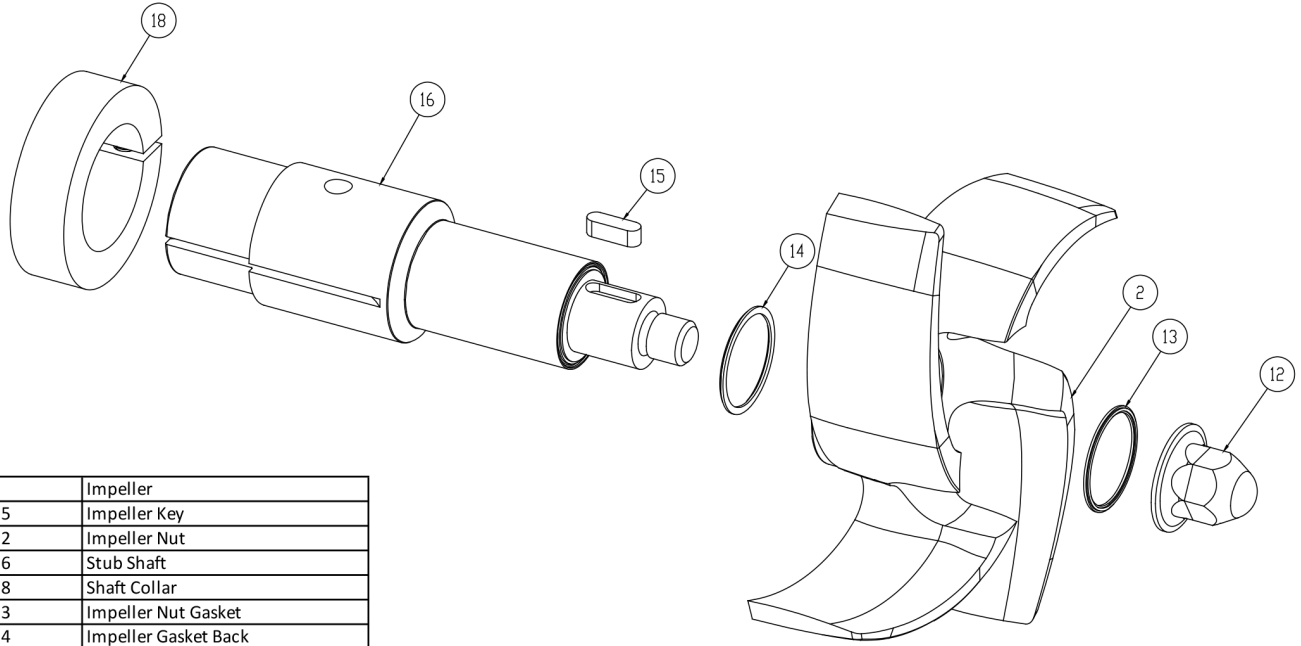


3	Casing Gasket
6	Seal Carbon
7	Seal O-Ring
8	Cup D Seal
9	Spring D Seal
12	Impeller Pin
24	PTFE Gasket
25	Silicon Carbide Seat
26	PTFE Gasket

**Seal Kit DG**

*Optional Items Shown in ITALICS*

Ref #	Component Item No.	Description	Qty Per
1	<b>KITDG-C218-B</b>	<b>KIT,218/328,DG,SEAL,BUNA C</b>	<b>1</b>
	<i>KITDG-C218-E</i>	<i>KIT,218/328,DG SEAL,EPDM C</i>	<i>1</i>
	<i>KITDG-C218-S</i>	<i>KIT,218/328,DG,SEAL,VIT C</i>	<i>1</i>

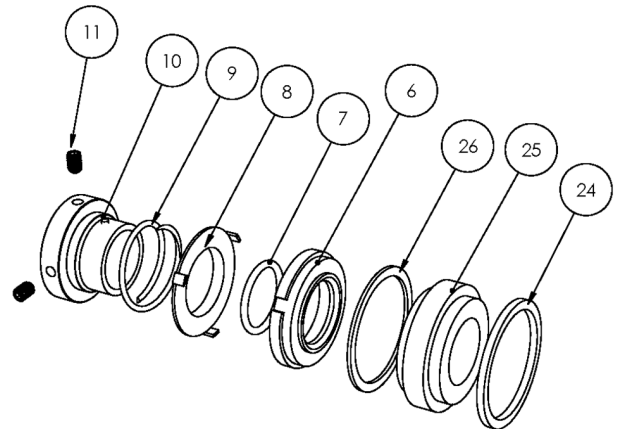
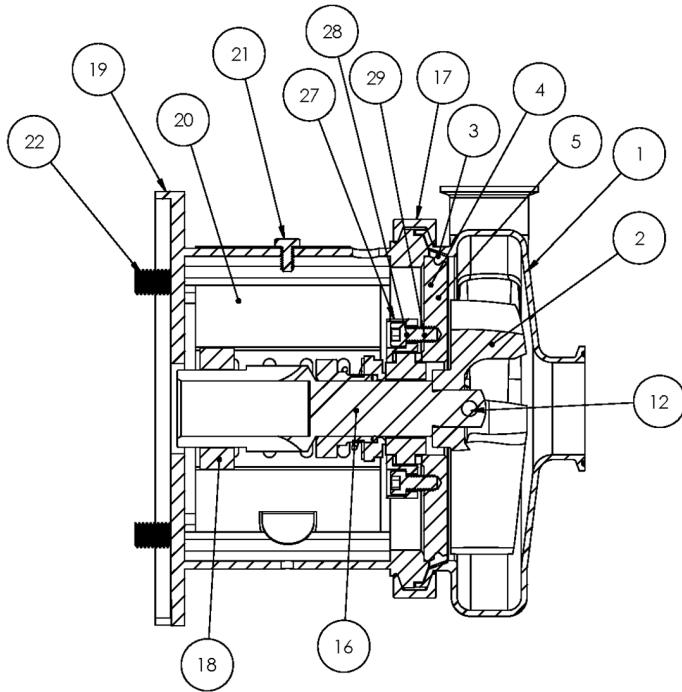


2	Impeller
15	Impeller Key
12	Impeller Nut
16	Stub Shaft
18	Shaft Collar
13	Impeller Nut Gasket
14	Impeller Gasket Back

**AC+ Conversion Kit**

*Optional Items Shown in ITALICS*

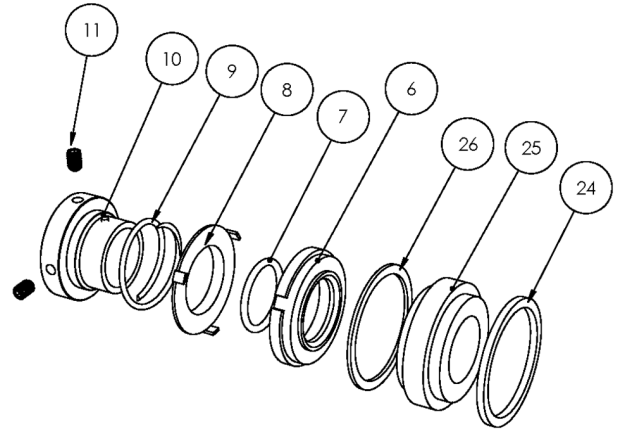
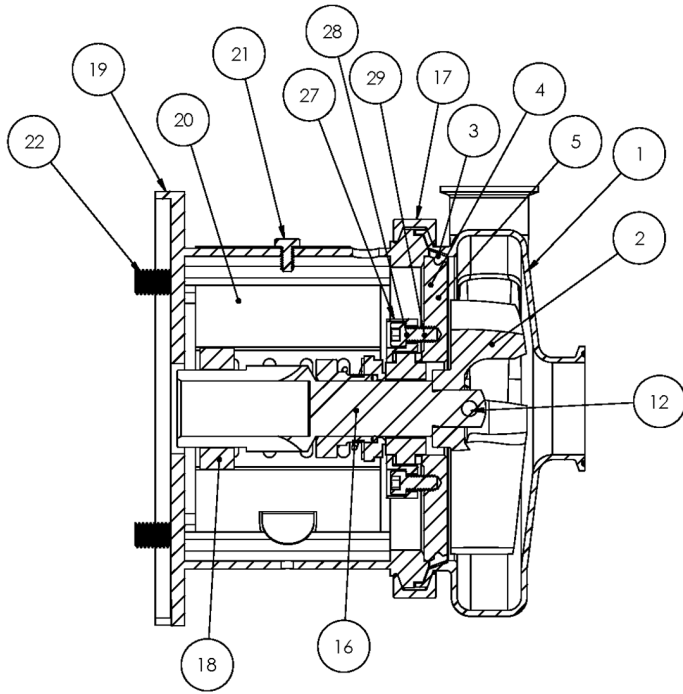
Ref #	Component Item No.	Description	Qty Per
1	<b>C+KIT-218/21</b>	<b>KIT,218,210TC,C+CONVRT,BUNA C</b>	<b>1</b>
	<i>C+KIT-218/21-E</i>	<i>KIT,218,210TC,C+CONVRT,EPDM C</i>	<i>1</i>
	<i>C+KIT-218/21-V</i>	<i>KIT,218,210TC,C+CONVRT,VIT C</i>	<i>1</i>



**Exploded View**

*Optional Items Shown in ITALICS*

Ref #	Component Item No.	Description	Qty Per
1	<b>S218M-01D-316L</b>	<b>CASING,2X1-1/2,TRI-CLMP C218/C+218</b>	1
	<i>S218T-01C</i>	<i>CASING,2X1-1/2,BVL SEAT C218/C+218</i>	1
	<i>S218MI-01D</i>	<i>CASING,2X1-1/2,CLMP GLASS BEAD C218/C+218</i>	1
	<i>S218S-01C</i>	<i>CASING,2X1-1/2,NPT C218/C+218</i>	1
	<i>S218F-01C</i>	<i>CASING,2X1-1/2,FLNGD C218/C+218</i>	1
2	<b>S218-02C-316L</b>	<b>IMPELLER,218/318 C UNIVERSAL</b>	1
3	<b>S328-90A-U</b>	<b>GASKET,218/328,CASING,BUNA C C+</b>	1
	<i>S328-90A-E</i>	<i>GASKET,218/328,CASING,EPDM C C+</i>	1
	<i>S328-90A-V</i>	<i>GASKET,218/328,CASING,VIT C C+</i>	1
4	<b>SP328G-11-316L</b>	<b>BACKPLATE,DG,218/328 C C+</b>	1
5	<b>216D-11-1-S</b>	<b>PIN,BACKPLT,114/216/328 C C+</b>	2
6	<b>328E-80-1A</b>	<b>SEAL,218/328,3218,CARBON C C+</b>	1
	<i>328E-80-1SC</i>	<i>SEAL,328,RTRY,SILC CARB C C+</i>	1
7	<b>S328-80-2-U</b>	<b>O-RING,218/328,SEAL,BUNA C C+</b>	1
	<i>S328-80-2-E</i>	<i>O-RING,218/328,SEAL,EPDM,2-222 C C+</i>	1
	<i>S328-80-2-V</i>	<i>O-RING,218/328,SEAL,VIT C C+</i>	1
8	<b>328D-80-3P</b>	<b>CUP,D,218/318/328/428 C C+</b>	1
9	<b>328D-80-4</b>	<b>SPRING,D,218/328/428,+3218 C C+ DB</b>	1
10	<b>SP328D-23P-S</b>	<b>COLLAR,D,218/328/+3218,DRIVE C C+</b>	1
11	<b>SC1105A-SS</b>	<b>SCREW,SET,DRV COLLR,1/4-20X3/8 -SS</b>	2
12	<b>328D-24B-316L</b>	<b>RETAINER,IMPLR</b>	1
16	<b>CS328E25T-06</b>	<b>STUBSHAFT,250TC,UNIVRSL C218/C328</b>	1
17	<b>S328-75AR-S</b>	<b>CLAMP,218/328,CASING C C+</b>	1
18	<b>SX18000016</b>	<b>COLLAR,250TC/280TSC,SHAFT LC</b>	1
19	<b>328D25T-71C-SS</b>	<b>ADAPTER,250TC FRAME,SS C218/C328/C+218/C+328</b>	1
20	<b>C328-25T-131-S</b>	<b>GUARD,SEAL,218/328/428,SS C C+ CB+ 250TC</b>	1
21	<b>GX5079600</b>	<b>CAPSCRW,HX,1/4-20X1/2,18-8SS HX HD</b>	1

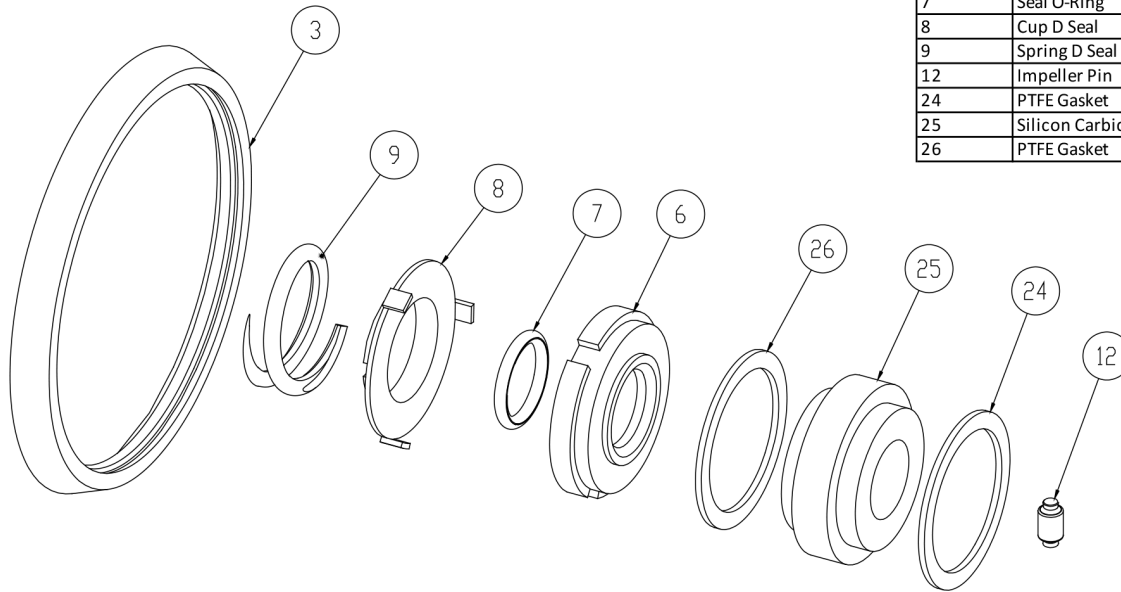


**Exploded View**

*Optional Items Shown in ITALICS*

Ref #	Component Item No.	Description	Qty Per
22	SC1710H-SS	CAPSCRW,HX,1/2-13X1,18-8SS HX HD	4
24	SP328G-80-12AG	GASKET,218/328,DG,THK,PTFE C C+	1
25	SP328G-80-11SC	SEAT,218/328,DG,SEAL,SILC CARB C C+	1
	<i>SP328G-80-11TC</i>	<i>SEAT,328,DG,SEAL,TUNG CARB C C+</i>	1
	<i>SP328G-80-11CER</i>	<i>SEAT,328,DG,SEAL,CERAMIC C C+</i>	1
26	SP328G-80-12G	GASKET,218/328,DG,THN,PTFE C C+	1
27	SP328G-17-316L	RING,218/328,GLAND,DG C C+	1
28	SC1310H-SS	CAPSCRW,HX,5/16-18X1-1/8,18-8S HX HD	4
29	LWA-1300-SS	WASHER,LOCK,5/16,18-8SS	4



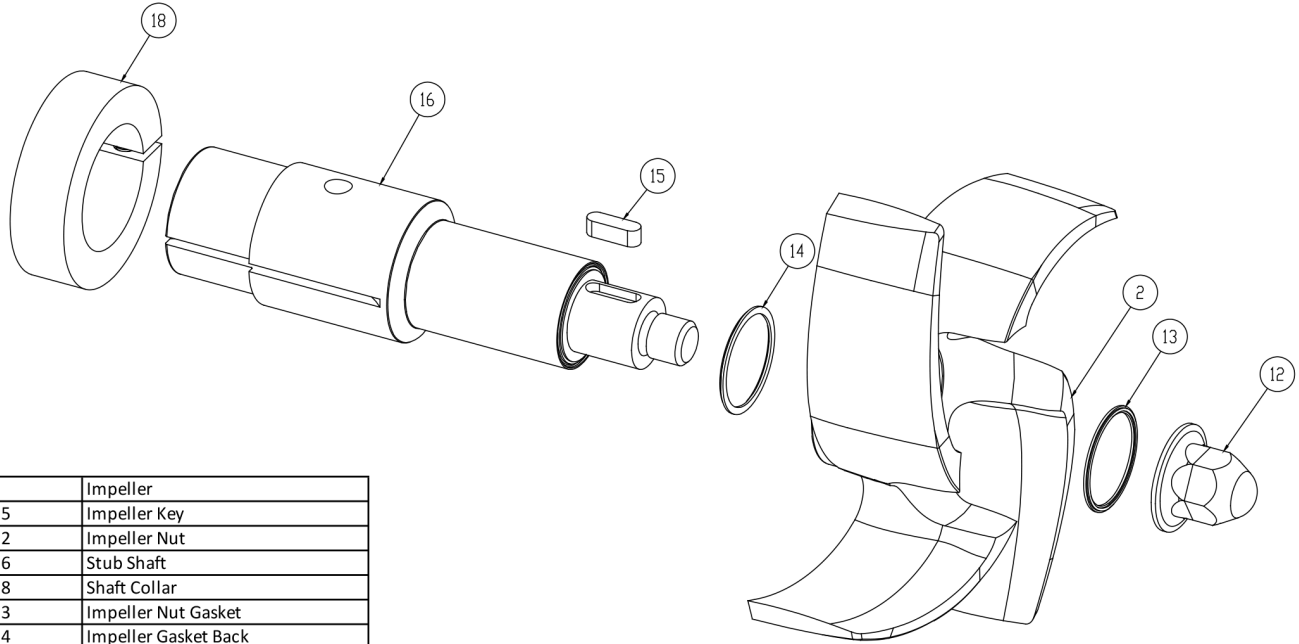


3	Casing Gasket
6	Seal Carbon
7	Seal O-Ring
8	Cup D Seal
9	Spring D Seal
12	Impeller Pin
24	PTFE Gasket
25	Silicon Carbide Seat
26	PTFE Gasket

**Seal Kit DG**

*Optional Items Shown in ITALICS*

Ref #	Component Item No.	Description	Qty Per
1	<b>KITDG-C218-B</b>	<b>KIT,218/328,DG,SEAL,BUNA C</b>	<b>1</b>
	<i>KITDG-C218-E</i>	<i>KIT,218/328,DG SEAL,EPDM C</i>	<i>1</i>
	<i>KITDG-C218-S</i>	<i>KIT,218/328,DG,SEAL,VIT C</i>	<i>1</i>

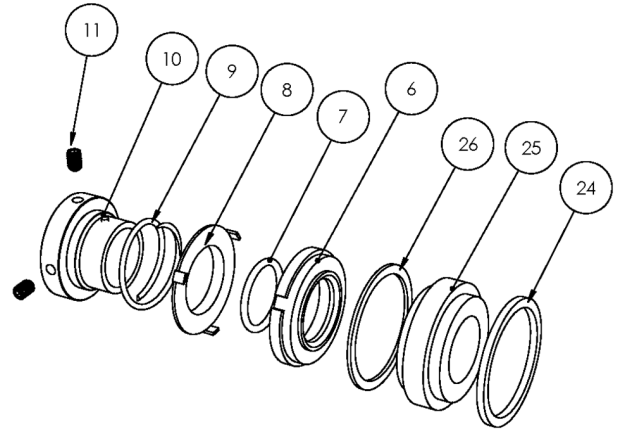
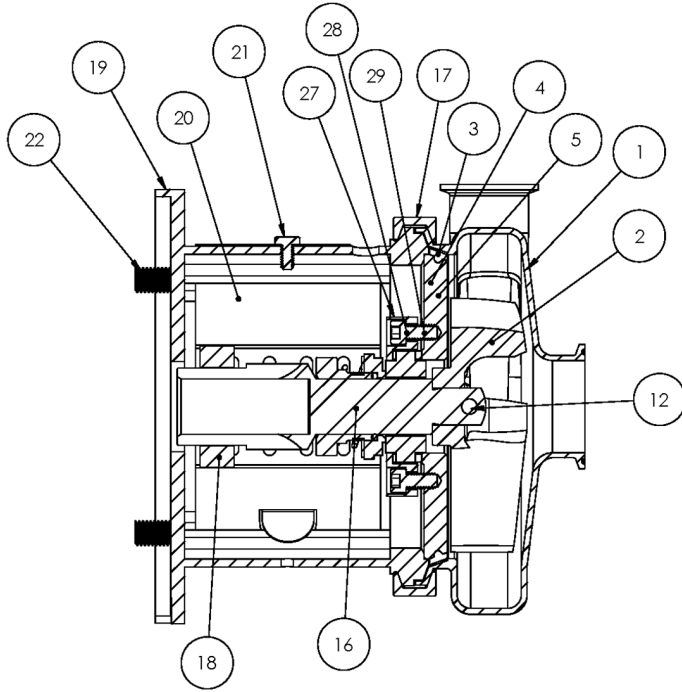


2	Impeller
15	Impeller Key
12	Impeller Nut
16	Stub Shaft
18	Shaft Collar
13	Impeller Nut Gasket
14	Impeller Gasket Back

**AC+ Conversion Kit**

*Optional Items Shown in ITALICS*

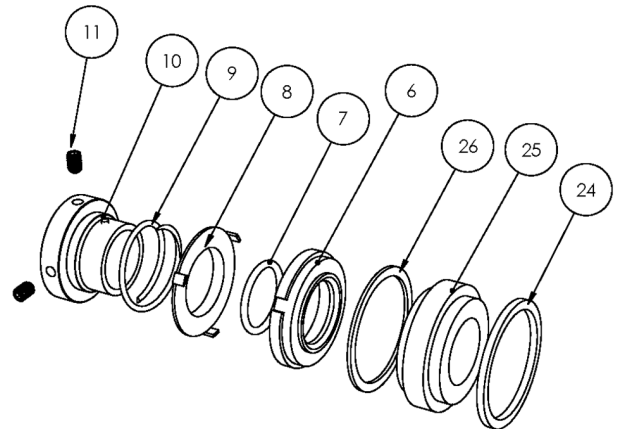
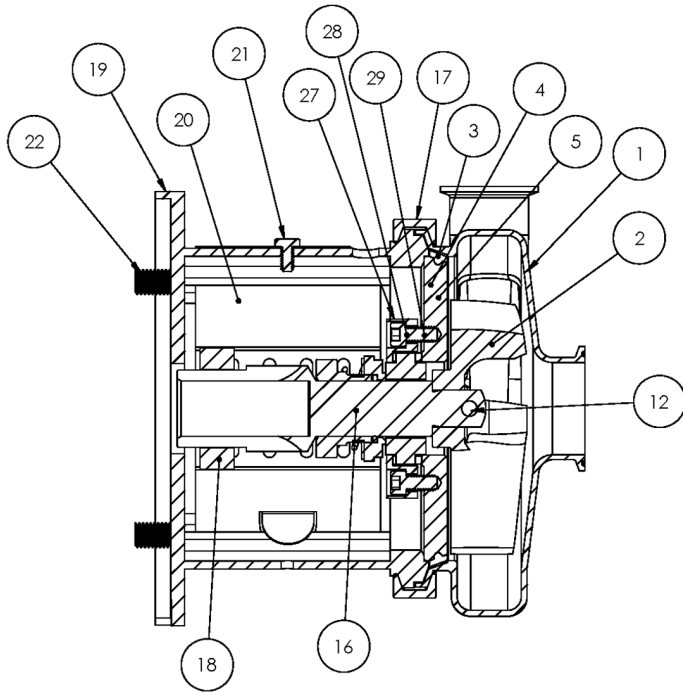
Ref #	Component Item No.	Description	Qty Per
1	<b>C+KIT-218/25</b>	<b>KIT,218,250TC,C+CONVRT,BUNA C</b>	<b>1</b>
	<i>C+KIT-218/25-E</i>	<i>KIT,218,250TC,C+CONVRT,EPDM C</i>	<i>1</i>
	<i>C+KIT-218/25-V</i>	<i>KIT,218,250TC,C+CONVRT,VIT C</i>	<i>1</i>



**Exploded View**

*Optional Items Shown in ITALICS*

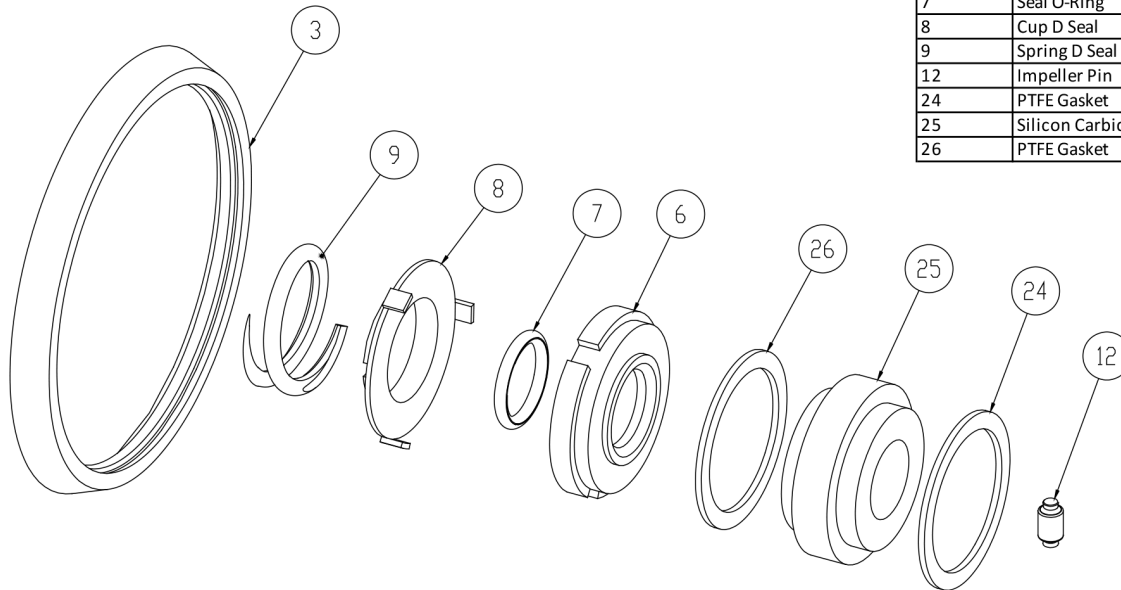
Ref #	Component Item No.	Description	Qty Per
1	<b>S218M-01D-316L</b>	<b>CASING,2X1-1/2,TRI-CLMP C218/C+218</b>	1
	<i>S218T-01C</i>	<i>CASING,2X1-1/2,BVL SEAT C218/C+218</i>	1
	<i>S218MI-01D</i>	<i>CASING,2X1-1/2,CLMP GLASS BEAD C218/C+218</i>	1
	<i>S218S-01C</i>	<i>CASING,2X1-1/2,NPT C218/C+218</i>	1
	<i>S218F-01C</i>	<i>CASING,2X1-1/2,FLNGD C218/C+218</i>	1
2	<b>S218-02C-316L</b>	<b>IMPELLER,218/318 C UNIVERSAL</b>	1
3	<b>S328-90A-U</b>	<b>GASKET,218/328,CASING,BUNA C C+</b>	1
	<i>S328-90A-E</i>	<i>GASKET,218/328,CASING,EPDM C C+</i>	1
	<i>S328-90A-V</i>	<i>GASKET,218/328,CASING,VIT C C+</i>	1
4	<b>SP328G-11-316L</b>	<b>BACKPLATE,DG,218/328 C C+</b>	2
5	<b>216D-11-1-S</b>	<b>PIN,BACKPLT,114/216/328 C C+</b>	2
6	<b>328E-80-1A</b>	<b>SEAL,218/328,3218,CARBON C C+</b>	1
	<i>328E-80-1SC</i>	<i>SEAL,328,RTRY,SILC CARB C C+</i>	1
7	<b>S328-80-2-U</b>	<b>O-RING,218/328,SEAL,BUNA C C+</b>	1
	<i>S328-80-2-E</i>	<i>O-RING,218/328,SEAL,EPDM,2-222 C C+</i>	1
	<i>S328-80-2-V</i>	<i>O-RING,218/328,SEAL,VIT C C+</i>	1
8	<b>328D-80-3P</b>	<b>CUP,D,218/318/328/428 C C+</b>	1
9	<b>328D-80-4</b>	<b>SPRING,D,218/328/428,+3218 C C+ DB</b>	1
10	<b>SP328D-23P-S</b>	<b>COLLAR,D,218/328/+3218,DRIVE C C+</b>	1
11	<b>SC1105A-SS</b>	<b>SCREW,SET,DRV COLLR,1/4-20X3/8 -SS</b>	2
12	<b>328D-24B-316L</b>	<b>RETAINER,IMPLR</b>	1
16	<b>CS328E28T-06</b>	<b>STUBSHAFT,280TC,UNIVRSL C218/C328</b>	1
17	<b>S328-75AR-S</b>	<b>CLAMP,218/328,CASING C C+</b>	1
18	<b>SX18000027</b>	<b>COLLAR,280TC/320TSC,SHAFT LC</b>	1
19	<b>328D28T-71C-SS</b>	<b>ADAPTER,280TC/TSC FRAME,SS C218/C328/C+218/C+328</b>	1
20	<b>C328-28T-131-S</b>	<b>GUARD,SEAL,218/328/428/4410,SS C C+</b>	1
21	<b>GX5079600</b>	<b>CAPSCRW,HX,1/4-20X1/2,18-8SS HX HD</b>	1



**Exploded View**

*Optional Items Shown in ITALICS*

Ref #	Component Item No.	Description	Qty Per
22	SC1710H-SS	CAPSCRW,HX,1/2-13X1,18-8SS HX HD	4
24	SP328G-80-12AG	GASKET,218/328,DG,THK,PTFE C C+	1
25	SP328G-80-11SC	SEAT,218/328,DG,SEAL,SILC CARB C C+	1
	<i>SP328G-80-11TC</i>	<i>SEAT,328,DG,SEAL,TUNG CARB C C+</i>	1
	<i>SP328G-80-11CER</i>	<i>SEAT,328,DG,SEAL,CERAMIC C C+</i>	1
26	SP328G-80-12G	GASKET,218/328,DG,THN,PTFE C C+	1
27	SP328G-17-316L	RING,218/328,GLAND,DG C C+	1
28	SC1310H-SS	CAPSCRW,HX,5/16-18X1-1/8,18-8S HX HD	4
29	LWA-1300-SS	WASHER,LOCK,5/16,18-8SS	4

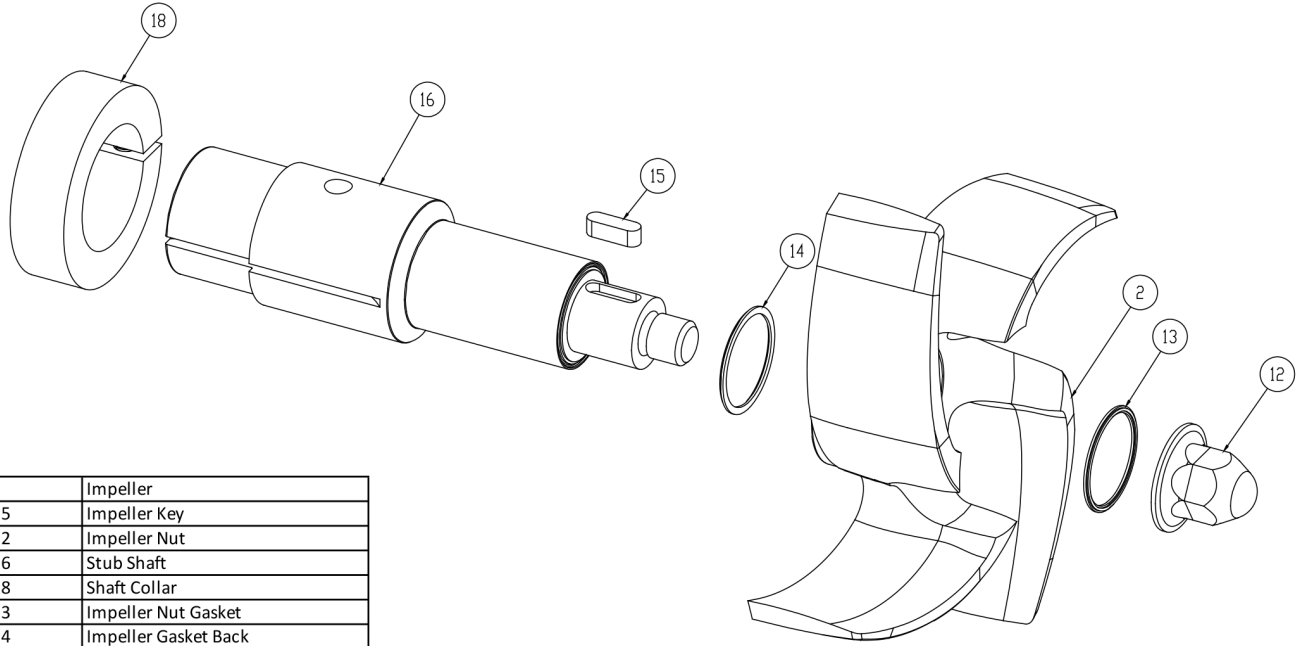


3	Casing Gasket
6	Seal Carbon
7	Seal O-Ring
8	Cup D Seal
9	Spring D Seal
12	Impeller Pin
24	PTFE Gasket
25	Silicon Carbide Seat
26	PTFE Gasket

**Seal Kit DG**

*Optional Items Shown in ITALICS*

Ref #	Component Item No.	Description	Qty Per
1	<b>KITDG-C218-B</b>	<b>KIT,218/328,DG,SEAL,BUNA C</b>	<b>1</b>
	<i>KITDG-C218-E</i>	<i>KIT,218/328,DG SEAL,EPDM C</i>	<i>1</i>
	<i>KITDG-C218-S</i>	<i>KIT,218/328,DG,SEAL,VIT C</i>	<i>1</i>

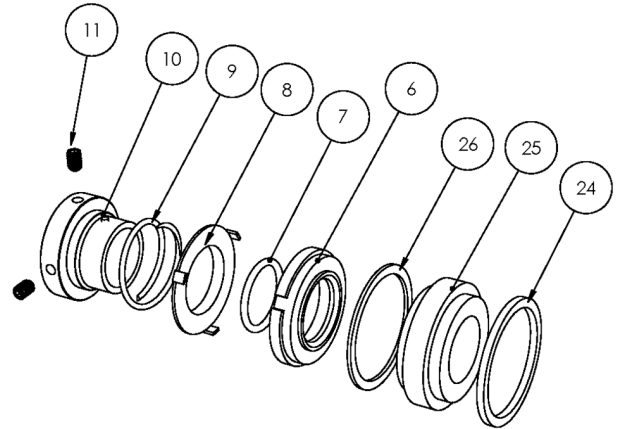
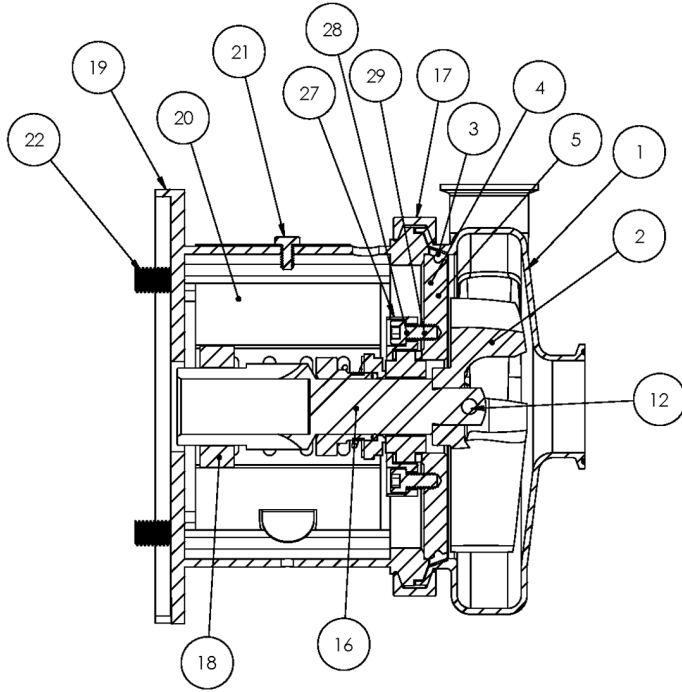


2	Impeller
15	Impeller Key
12	Impeller Nut
16	Stub Shaft
18	Shaft Collar
13	Impeller Nut Gasket
14	Impeller Gasket Back

**AC+ Conversion Kit**

*Optional Items Shown in ITALICS*

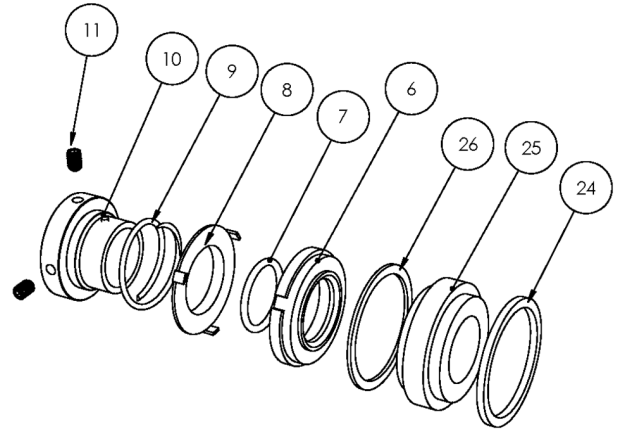
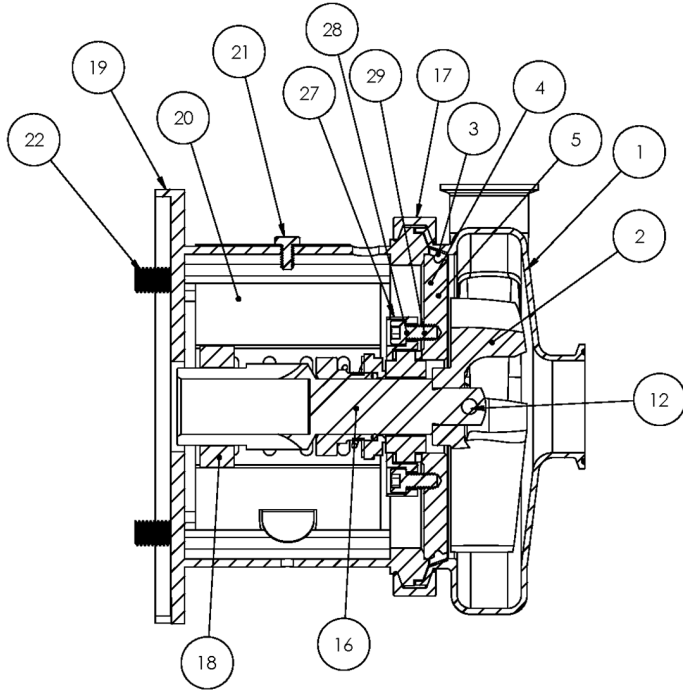
Ref #	Component Item No.	Description	Qty Per
1	<b>C+KIT-218/28</b>	<b>KIT,218,280TC,C+CONVRT,BUNA C</b>	<b>1</b>
	<i>C+KIT-218/28-E</i>	<i>KIT,218,280TC,C+CONVRT,EPDM C</i>	<i>1</i>
	<i>C+KIT-218/28-V</i>	<i>KIT,218,280TC,C+CONVRT,VIT C</i>	<i>1</i>



**Exploded View**

*Optional Items Shown in ITALICS*

Ref #	Component Item No.	Description	Qty Per
1	<b>S218M-01D-316L</b>	<b>CASING,2X1-1/2,TRI-CLMP C218/C+218</b>	1
	<i>S218T-01C</i>	<i>CASING,2X1-1/2,BVL SEAT C218/C+218</i>	1
	<i>S218MI-01D</i>	<i>CASING,2X1-1/2,CLMP GLASS BEAD C218/C+218</i>	1
	<i>S218S-01C</i>	<i>CASING,2X1-1/2,NPT C218/C+218</i>	1
	<i>S218F-01C</i>	<i>CASING,2X1-1/2,FLNGD C218/C+218</i>	1
2	<b>S218-02C-316L</b>	<b>IMPELLER,218/318 C UNIVERSAL</b>	1
3	<b>S328-90A-U</b>	<b>GASKET,218/328,CASING,BUNA C C+</b>	1
	<i>S328-90A-E</i>	<i>GASKET,218/328,CASING,EPDM C C+</i>	1
	<i>S328-90A-V</i>	<i>GASKET,218/328,CASING,VIT C C+</i>	1
4	<b>SP328G-11-316L</b>	<b>BACKPLATE,DG,218/328 C C+</b>	2
5	<b>216D-11-1-S</b>	<b>PIN,BACKPLT,114/216/328 C C+</b>	2
6	<b>328E-80-1A</b>	<b>SEAL,218/328,3218,CARBON C C+</b>	1
	<i>328E-80-1SC</i>	<i>SEAL,328,RTRY,SILC CARB C C+</i>	1
7	<b>S328-80-2-U</b>	<b>O-RING,218/328,SEAL,BUNA C C+</b>	1
	<i>S328-80-2-E</i>	<i>O-RING,218/328,SEAL,EPDM,2-222 C C+</i>	1
	<i>S328-80-2-V</i>	<i>O-RING,218/328,SEAL,VIT C C+</i>	1
8	<b>328D-80-3P</b>	<b>CUP,D,218/318/328/428 C C+</b>	1
9	<b>328D-80-4</b>	<b>SPRING,D,218/328/428,+3218 C C+ DB</b>	1
10	<b>SP328D-23P-S</b>	<b>COLLAR,D,218/328/+3218,DRIVE C C+</b>	1
11	<b>SC1105A-SS</b>	<b>SCREW,SET,DRV COLLR,1/4-20X3/8 -SS</b>	2
12	<b>328D-24B-316L</b>	<b>RETAINER,IMPLR</b>	1
16	<b>CS328E28TS-06</b>	<b>STUBSHAFT,280TSC,UNIVRSL C218/C328</b>	1
17	<b>S328-75AR-S</b>	<b>CLAMP,218/328,CASING C C+</b>	1
18	<b>SX18000027</b>	<b>COLLAR,280TC/320TSC,SHAFT LC</b>	1
19	<b>328D28T-71C-SS</b>	<b>ADAPTER,280TC/TSC FRAME,SS C218/C328/C+218/C+328</b>	1
20	<b>C328-28T-131-S</b>	<b>GUARD,SEAL,218/328/428/4410,SS C C+</b>	1
21	<b>GX5079600</b>	<b>CAPSCRW,HX,1/4-20X1/2,18-8SS HX HD</b>	1

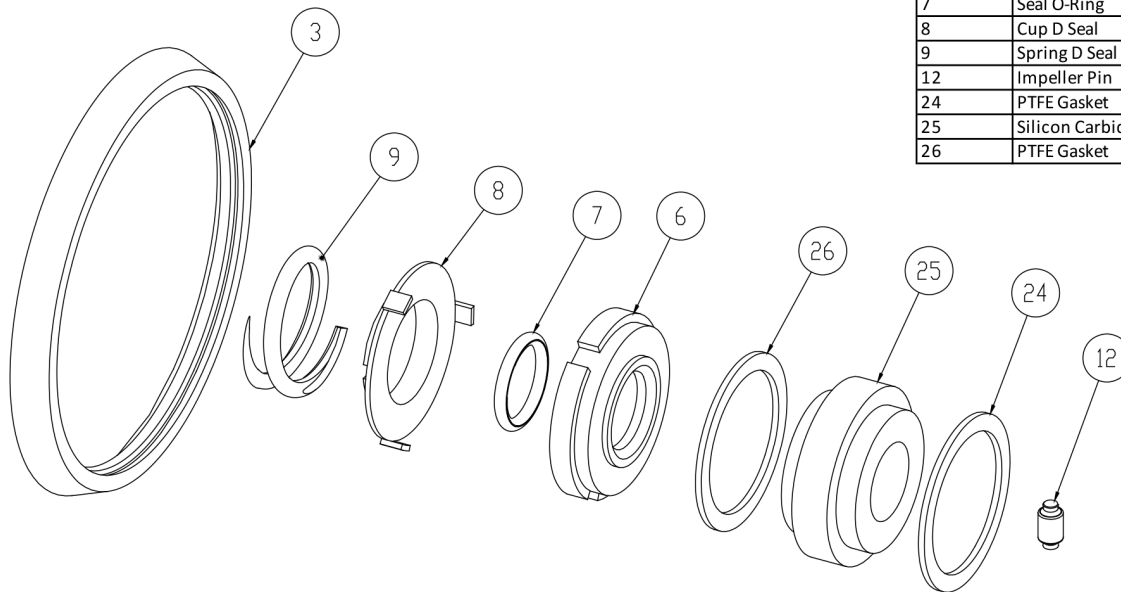


**Exploded View**

*Optional Items Shown in ITALICS*

Ref #	Component Item No.	Description	Qty Per
22	SC1710H-SS	CAPSCRW,HX,1/2-13X1,18-8SS HX HD	4
24	SP328G-80-12AG	GASKET,218/328,DG,THK,PTFE C C+	1
25	SP328G-80-11SC	SEAT,218/328,DG,SEAL,SILC CARB C C+	1
	<i>SP328G-80-11TC</i>	<i>SEAT,328,DG,SEAL,TUNG CARB C C+</i>	1
	<i>SP328G-80-11CER</i>	<i>SEAT,328,DG,SEAL,CERAMIC C C+</i>	1
26	SP328G-80-12G	GASKET,218/328,DG,THN,PTFE C C+	1
27	SP328G-17-316L	RING,218/328,GLAND,DG C C+	1
28	SC1310H-SS	CAPSCRW,HX,5/16-18X1-1/8,18-8S HX HD	4
29	LWA-1300-SS	WASHER,LOCK,5/16,18-8SS	4



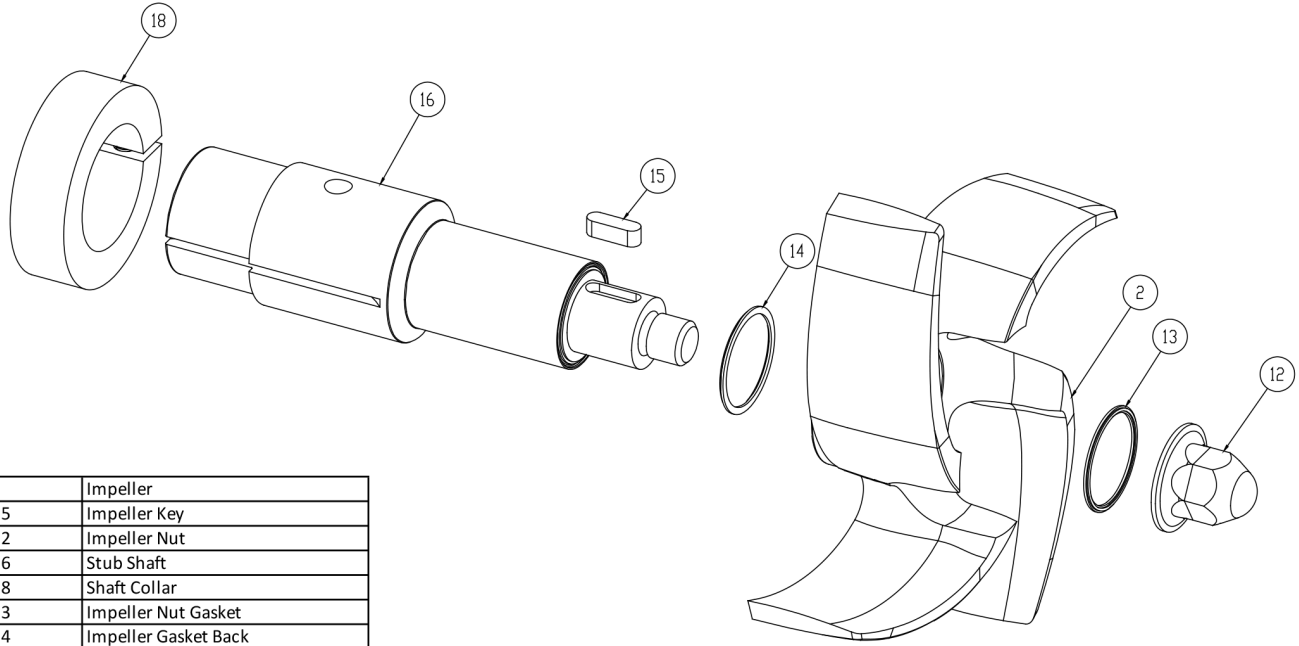


3	Casing Gasket
6	Seal Carbon
7	Seal O-Ring
8	Cup D Seal
9	Spring D Seal
12	Impeller Pin
24	PTFE Gasket
25	Silicon Carbide Seat
26	PTFE Gasket

**Seal Kit DG**

*Optional Items Shown in ITALICS*

Ref #	Component Item No.	Description	Qty Per
1	<b>KITDG-C218-B</b>	<b>KIT,218/328,DG,SEAL,BUNA C</b>	<b>1</b>
	<i>KITDG-C218-E</i>	<i>KIT,218/328,DG SEAL,EPDM C</i>	<i>1</i>
	<i>KITDG-C218-S</i>	<i>KIT,218/328,DG,SEAL,VIT C</i>	<i>1</i>

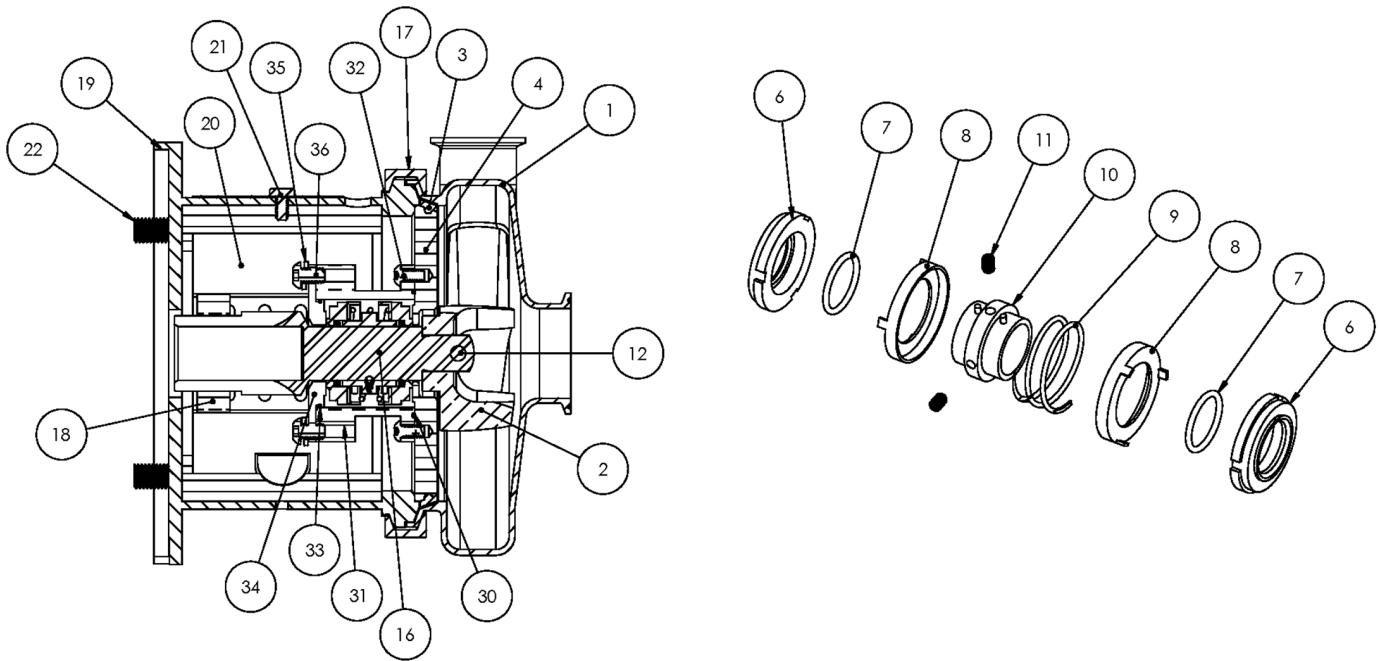


2	Impeller
15	Impeller Key
12	Impeller Nut
16	Stub Shaft
18	Shaft Collar
13	Impeller Nut Gasket
14	Impeller Gasket Back

**AC+ Conversion Kit**

*Optional Items Shown in ITALICS*

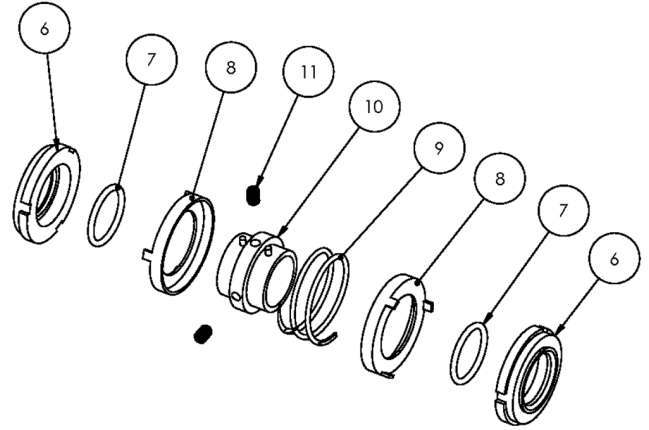
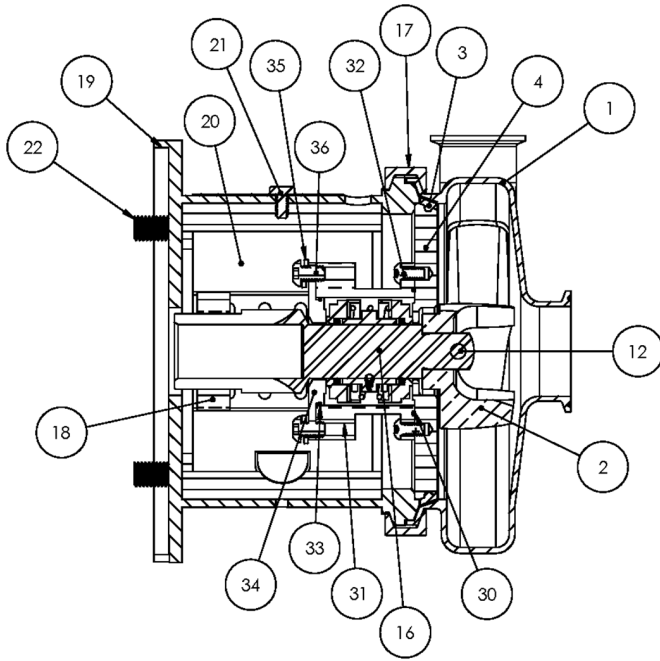
Ref #	Component Item No.	Description	Qty Per
1	<b>C+KIT-218/28TS</b>	<b>KIT,218,280TSC,C+CONVRT,BUNA C</b>	<b>1</b>
	<i>C+KIT-218/28TSE</i>	<i>KIT,218,280TSC,C+CONVRT,EPDM C</i>	<i>1</i>
	<i>C+KIT-218/28TSV</i>	<i>KIT,218,280TSC,C+CONVRT,VIT C</i>	<i>1</i>



**Exploded View**

*Optional Items Shown in ITALICS*

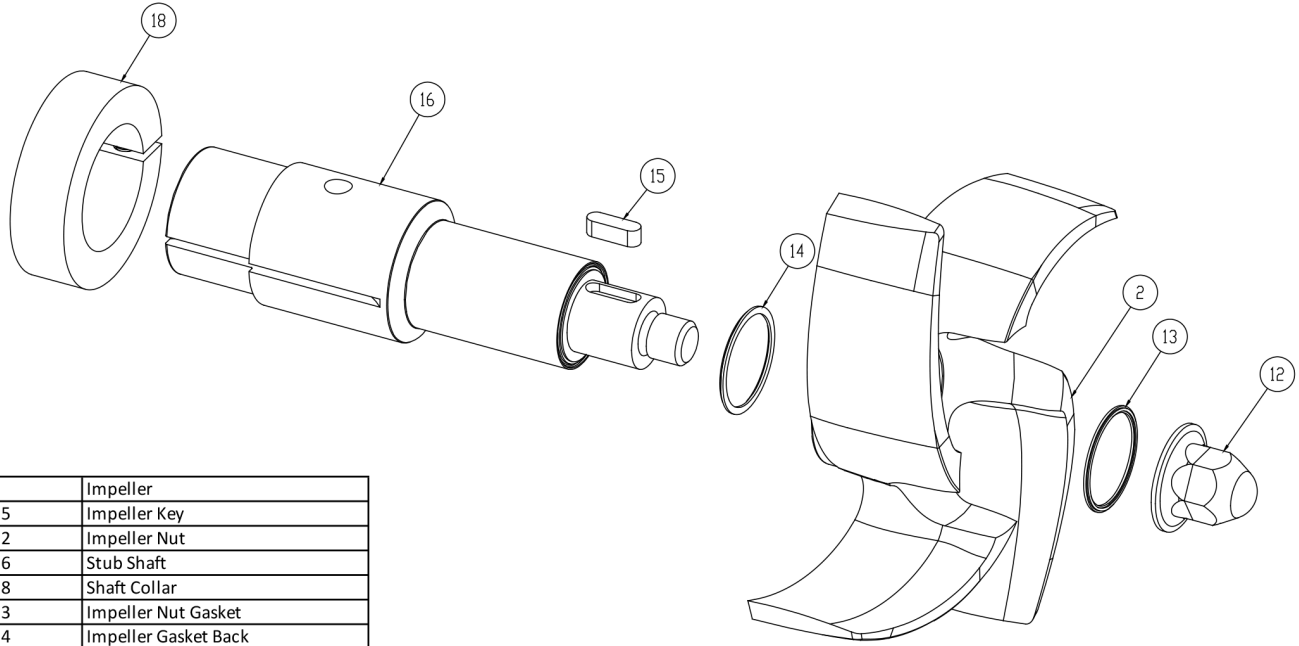
Ref #	Component Item No.	Description	Qty Per
1	<b>S218M-01D-316L</b>	<b>CASING,2X1-1/2,TRI-CLMP C218/C+218</b>	1
	<i>S218T-01C</i>	<i>CASING,2X1-1/2,BVL SEAT C218/C+218</i>	1
	<i>S218MI-01D</i>	<i>CASING,2X1-1/2,CLMP GLASS BEAD C218/C+218</i>	1
	<i>S218S-01C</i>	<i>CASING,2X1-1/2,NPT C218/C+218</i>	1
	<i>S218F-01C</i>	<i>CASING,2X1-1/2,FLNGD C218/C+218</i>	1
2	<b>S218-02C-316L</b>	<b>IMPELLER,218/318 C UNIVERSAL</b>	1
3	<b>S328-90A-U</b>	<b>GASKET,218/328,CASING,BUNA C C+</b>	1
	<i>S328-90A-E</i>	<i>GASKET,218/328,CASING,EPDM C C+</i>	1
	<i>S328-90A-V</i>	<i>GASKET,218/328,CASING,VIT C C+</i>	1
4	<b>328E-11B-316</b>	<b>BACKPLATE,E,218/328 C C+</b>	1
6	<b>328E-80-1A</b>	<b>SEAL,218/328,3218,CARBON C C+</b>	2
7	<b>S328-80-2-U</b>	<b>O-RING,218/328,SEAL,BUNA C C+</b>	2
	<i>S328-80-2-E</i>	<i>O-RING,218/328,SEAL,EPDM,2-222 C C+</i>	2
	<i>S328-80-2-V</i>	<i>O-RING,218/328,SEAL,VIT C C+</i>	2
8	<b>328E-80-3P</b>	<b>CUP,E,218/318/328/428 C C+</b>	2
9	<b>328E-80-4A</b>	<b>SPRING,E,218/318/328/428 C C+</b>	1
10	<b>328E-23-316L</b>	<b>COLLAR,E,218/328/428,DRIVE C C+</b>	1
11	<b>SC1103A-SS</b>	<b>SCREW,SET,1/4-20X1/4 E BALANCED</b>	2
12	<b>328D-24B-316L</b>	<b>RETAINER,IMPLR</b>	1
16	<b>C328E-14TP-06</b>	<b>STUBSHAFT,140TC C+218/328</b>	1
17	<b>S328-75AR-S</b>	<b>CLAMP,218/328,CASING C C+</b>	1
18	<b>SX18000013</b>	<b>COLLAR,56C/140TC,SHAFT L SEE ITEM NOTES</b>	1
19	<b>328D14T-71C-SS</b>	<b>ADAPTER,140TC FRAME,SS C218/C328/C+218/C+328</b>	1
20	<b>C328-14T-131-S</b>	<b>GUARD,SEAL,218/328,SS C C+ CB+</b>	1
21	<b>GX5079600</b>	<b>CAPSCRW,HX,1/4-20X1/2,18-8SS HX HD</b>	1
22	<b>GX5077100</b>	<b>CAPSCRW,HX,3/8-16X1,18-8SS HX HD</b>	4
30	<b>17-153-U</b>	<b>O-RING,218,STUFF BX,BUNA C</b>	1



**Exploded View**

*Optional Items Shown in ITALICS*

Ref #	Component Item No.	Description	Qty Per
30	<i>17-153-E</i>	<i>O-RING,218,STUFF BX,EPDM C C+</i>	1
	<i>17-153-V</i>	<i>O-RING,218,STUFF BX,VIT C C+</i>	1
31	<b>328E-83B-316</b>	<b>STUFFING BOX,E,218/328 C C+</b>	1
32	<b>SC1308H-SS</b>	<b>CAPSCRW,BH,5/16-18 X1/2,18-8SS BUTTON HD</b>	4
33	<i>17-274-V</i>	<i>O-RING,218,FOLLOWER,VIT C C+</i>	1
	<i>17-274-U</i>	<i>O-RING,218,FOLLOWER,BUNA C C+</i>	1
	<i>17-274-E</i>	<i>O-RING,218,FOLLOWER,EPDM C C+</i>	1
34	<b>328E-17-316</b>	<b>FOLLOWER,E,218/328,+218/328 C C+</b>	1
35	<b>LWA-1300-SS</b>	<b>WASHER,LOCK,5/16,18-8SS</b>	4
36	<b>SC1308E-SS</b>	<b>CAPSCRW,BH,5/16-18X3/4,18-8SS BUTTON HD</b>	4

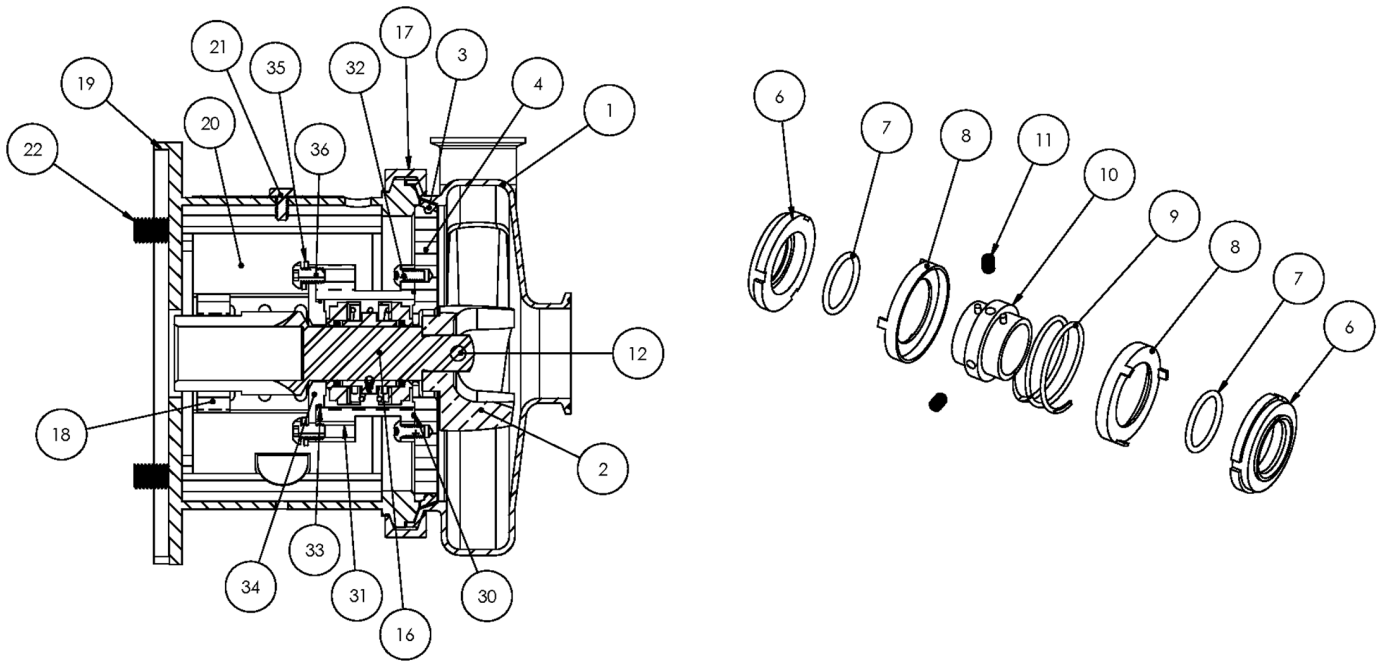


2	Impeller
15	Impeller Key
12	Impeller Nut
16	Stub Shaft
18	Shaft Collar
13	Impeller Nut Gasket
14	Impeller Gasket Back

**AC+ Conversion Kit**

*Optional Items Shown in ITALICS*

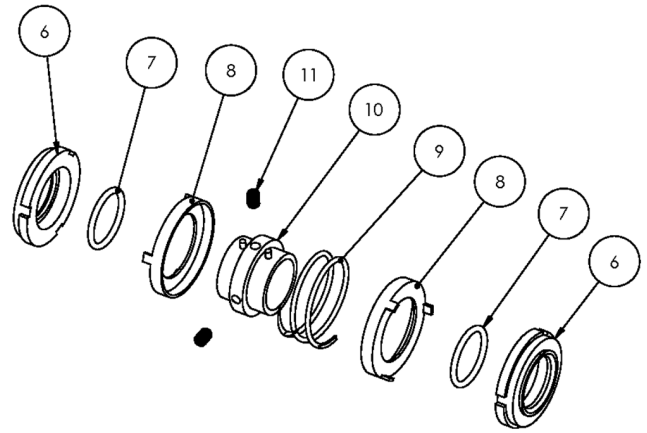
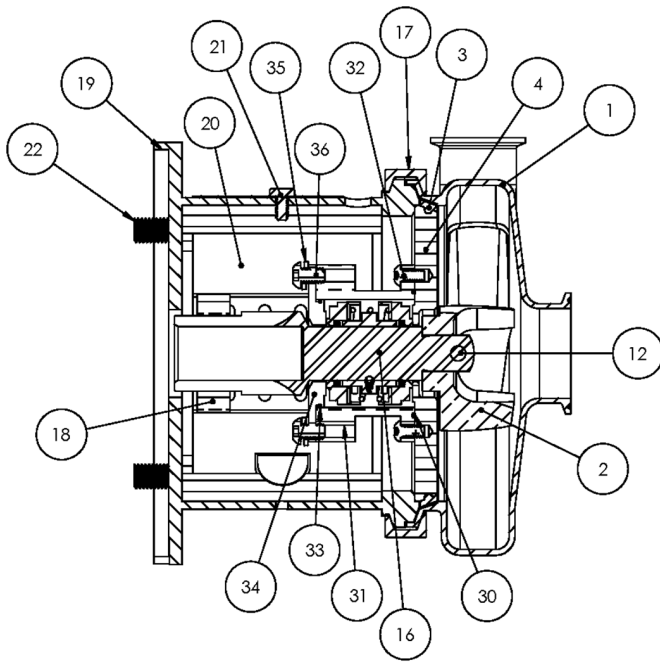
Ref #	Component Item No.	Description	Qty Per
1	<b>C+KIT-218/14</b>	<b>KIT,218,140TC,C+CONVRT,BUNA C</b>	<b>1</b>
	<i>C+KIT-218/14-E</i>	<i>KIT,218,140TC,C+CONVRT,EPDM C</i>	<i>1</i>
	<i>C+KIT-218/14-V</i>	<i>KIT,218,140TC,C+CONVRT,VIT C</i>	<i>1</i>



**Exploded View**

*Optional Items Shown in ITALICS*

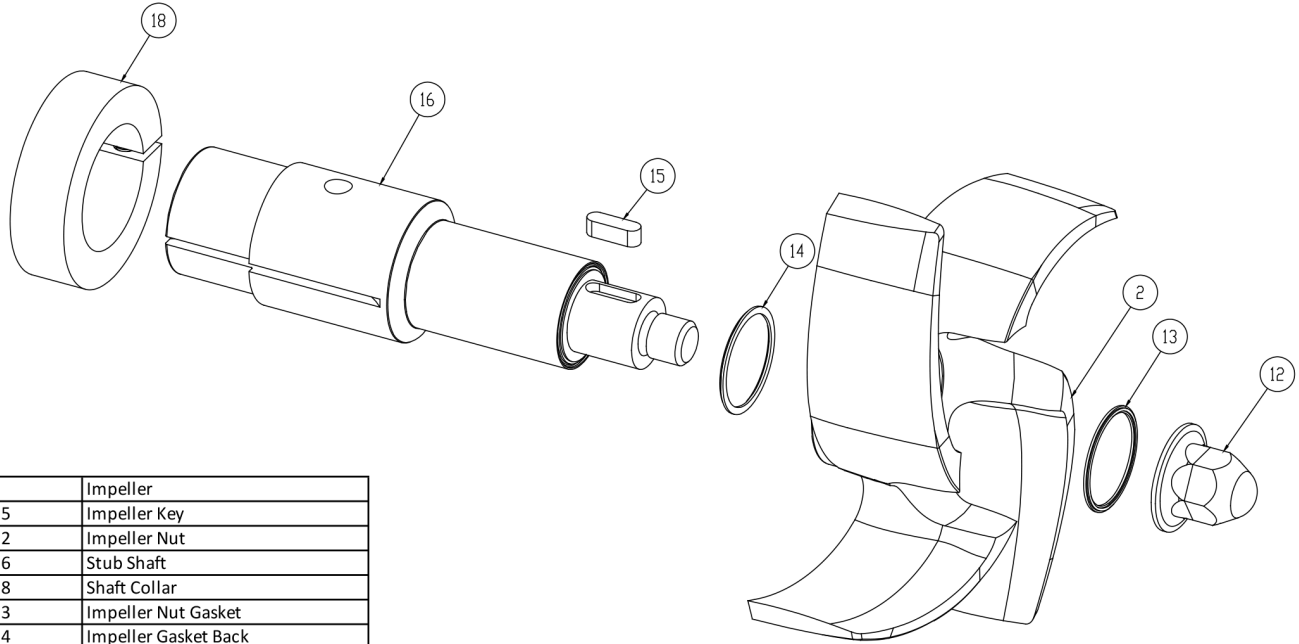
Ref #	Component Item No.	Description	Qty Per
1	<b>S218M-01D-316L</b>	<b>CASING,2X1-1/2,TRI-CLMP C218/C+218</b>	1
	<i>S218T-01C</i>	<i>CASING,2X1-1/2,BVL SEAT C218/C+218</i>	1
	<i>S218MI-01D</i>	<i>CASING,2X1-1/2,CLMP GLASS BEAD C218/C+218</i>	1
	<i>S218S-01C</i>	<i>CASING,2X1-1/2,NPT C218/C+218</i>	1
	<i>S218F-01C</i>	<i>CASING,2X1-1/2,FLNGD C218/C+218</i>	1
2	<b>S218-02C-316L</b>	<b>IMPELLER,218/318 C UNIVERSAL</b>	1
3	<b>S328-90A-U</b>	<b>GASKET,218/328,CASING,BUNA C C+</b>	1
	<i>S328-90A-E</i>	<i>GASKET,218/328,CASING,EPDM C C+</i>	1
	<i>S328-90A-V</i>	<i>GASKET,218/328,CASING,VIT C C+</i>	1
4	<b>328E-11B-316</b>	<b>BACKPLATE,E,218/328 C C+</b>	1
6	<b>328E-80-1A</b>	<b>SEAL,218/328,3218,CARBON C C+</b>	2
7	<b>S328-80-2-U</b>	<b>O-RING,218/328,SEAL,BUNA C C+</b>	2
	<i>S328-80-2-E</i>	<i>O-RING,218/328,SEAL,EPDM,2-222 C C+</i>	2
	<i>S328-80-2-V</i>	<i>O-RING,218/328,SEAL,VIT C C+</i>	2
8	<b>328E-80-3P</b>	<b>CUP,E,218/318/328/428 C C+</b>	2
9	<b>328E-80-4A</b>	<b>SPRING,E,218/318/328/428 C C+</b>	1
10	<b>328E-23-316L</b>	<b>COLLAR,E,218/328/428,DRIVE C C+</b>	1
11	<b>SC1103A-SS</b>	<b>SCREW,SET,1/4-20X1/4 E BALANCED</b>	2
12	<b>328D-24B-316L</b>	<b>RETAINER,IMPLR</b>	1
17	<b>S328-75AR-S</b>	<b>CLAMP,218/328,CASING C C+</b>	1
18	<b>SX18000014</b>	<b>COLLAR,180TC,SHAFT LC</b>	1
19	<b>328D18T-71C-SS</b>	<b>ADAPTER,180TC FRAME,SS C218/C328/C+218/C+328</b>	1
20	<b>C328-18T-131-S</b>	<b>GUARD,SEAL,21/318/328/428,SS C C+ IC+ 180TC</b>	1
21	<b>GX5079600</b>	<b>CAPSCRW,HX,1/4-20X1/2,18-8SS HX HD</b>	1
22	<b>SC1710H-SS</b>	<b>CAPSCRW,HX,1/2-13X1,18-8SS HX HD</b>	4
30	<b>17-153-U</b>	<b>O-RING,218,STUFF BX,BUNA C</b>	1
	<i>17-153-E</i>	<i>O-RING,218,STUFF BX,EPDM C C+</i>	1



**Exploded View**

*Optional Items Shown in ITALICS*

Ref #	Component Item No.	Description	Qty Per
30	17-153-V	O-RING,218,STUFF BX,VIT C C+	1
31	328E-83B-316	STUFFING BOX,E,218/328 C C+	1
32	SC1308H-SS	CAPSCRW,BH,5/16-18 X1/2,18-8SS BUTTON HD	4
33	17-274-V	O-RING,218,FOLLOWER,VIT C C+	1
	17-274-E	O-RING,218,FOLLOWER,EPDM C C+	1
	17-274-U	O-RING,218,FOLLOWER,BUNA C C+	1
34	328E-17-316	FOLLOWER,E,218/328,+218/328 C C+	1
35	LWA-1300-SS	WASHER,LOCK,5/16,18-8SS	4
36	SC1308E-SS	CAPSCRW,BH,5/16-18X3/4,18-8SS BUTTON HD	4



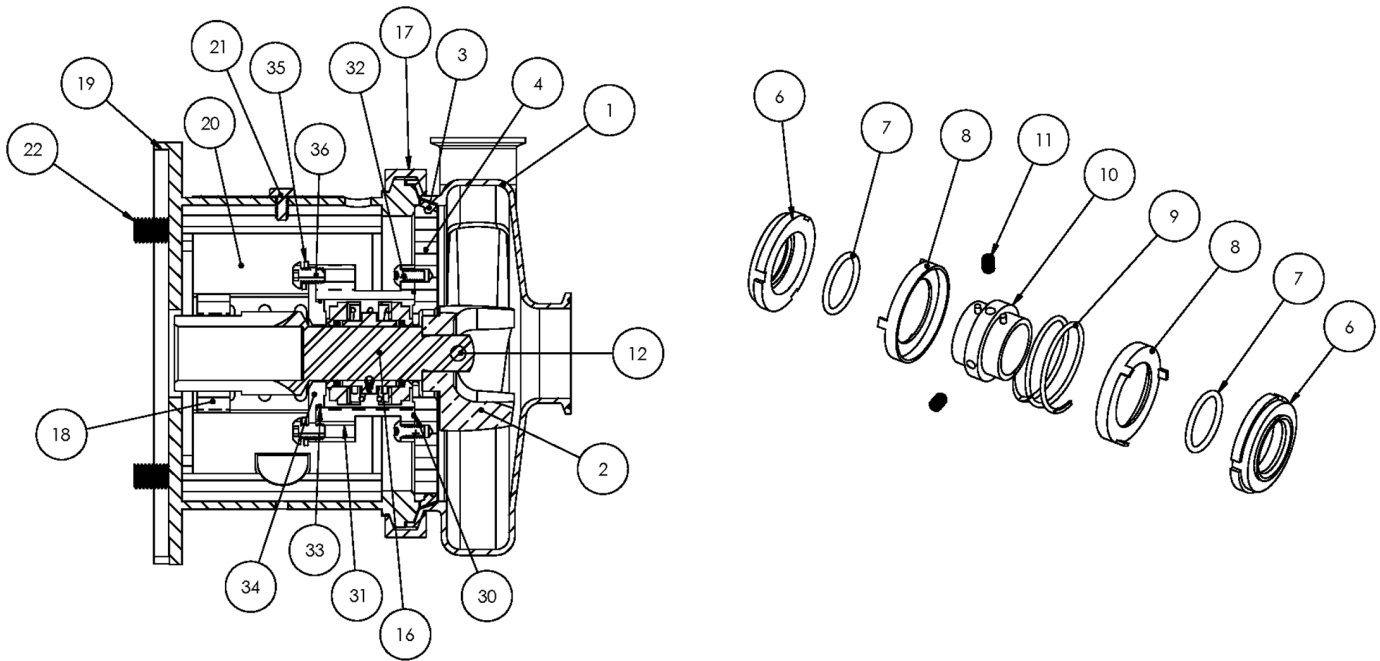
2	Impeller
15	Impeller Key
12	Impeller Nut
16	Stub Shaft
18	Shaft Collar
13	Impeller Nut Gasket
14	Impeller Gasket Back

**AC+ Conversion Kit**

*Optional Items Shown in ITALICS*

Ref #	Component Item No.	Description	Qty Per
1	<b>C+KIT-218/18</b>	<b>KIT,218,180TC,C+CONVRT,BUNA C</b>	<b>1</b>
	<i>C+KIT-218/18-E</i>	<i>KIT,218,180TC,C+CONVRT,EPDM C</i>	<i>1</i>
	<i>C+KIT-218/18-V</i>	<i>KIT,218,180TC,C+CONVRT,VIT C</i>	<i>1</i>

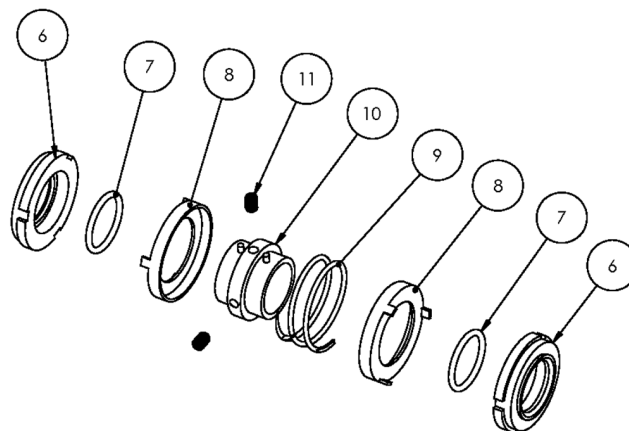
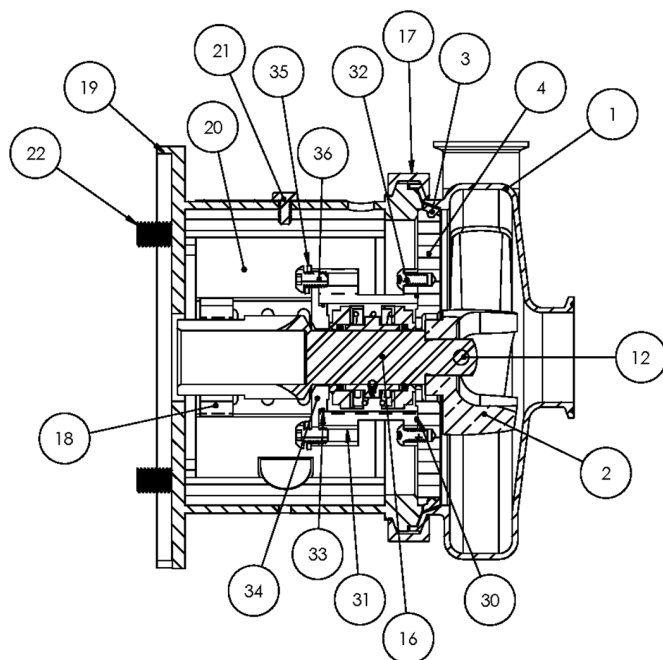




**Exploded View**

*Optional Items Shown in ITALICS*

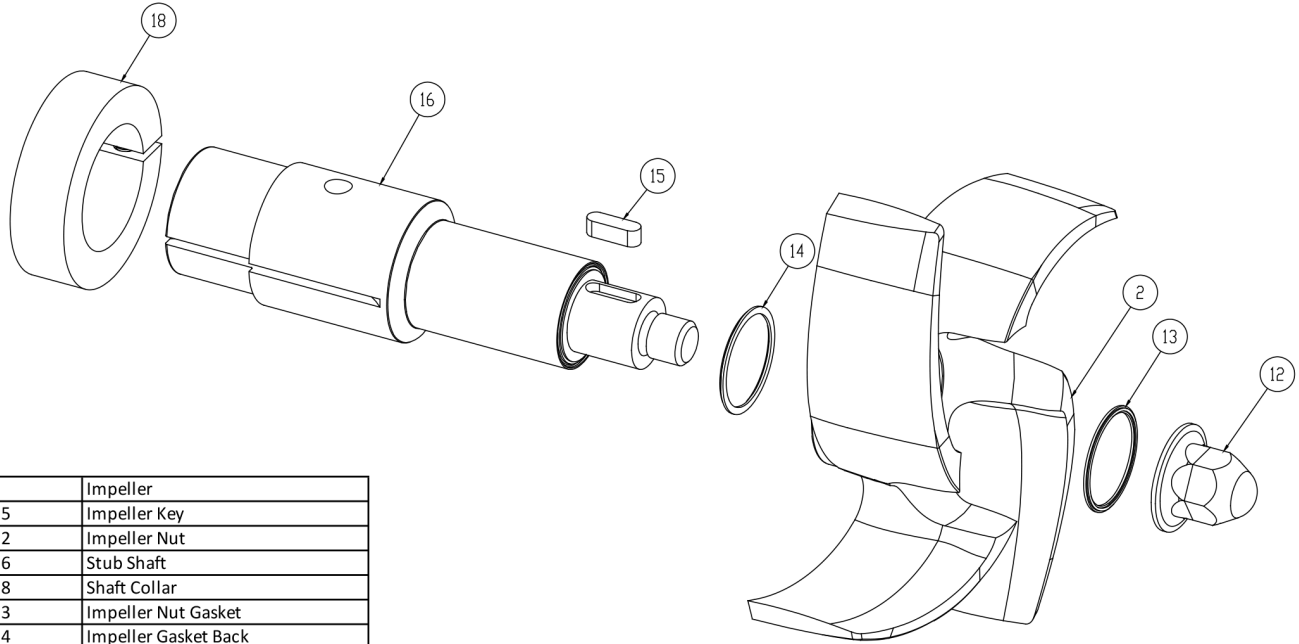
Ref #	Component Item No.	Description	Qty Per
1	<b>S218M-01D-316L</b>	<b>CASING,2X1-1/2,TRI-CLMP C218/C+218</b>	1
	<i>S218T-01C</i>	<i>CASING,2X1-1/2,BVL SEAT C218/C+218</i>	1
	<i>S218MI-01D</i>	<i>CASING,2X1-1/2,CLMP GLASS BEAD C218/C+218</i>	1
	<i>S218S-01C</i>	<i>CASING,2X1-1/2,NPT C218/C+218</i>	1
	<i>S218F-01C</i>	<i>CASING,2X1-1/2,FLNGD C218/C+218</i>	1
2	<b>S218-02C-316L</b>	<b>IMPELLER,218/318 C UNIVERSAL</b>	1
3	<b>S328-90A-U</b>	<b>GASKET,218/328,CASING,BUNA C C+</b>	1
	<i>S328-90A-E</i>	<i>GASKET,218/328,CASING,EPDM C C+</i>	1
	<i>S328-90A-V</i>	<i>GASKET,218/328,CASING,VIT C C+</i>	1
4	<b>328E-11B-316</b>	<b>BACKPLATE,E,218/328 C C+</b>	1
6	<b>328E-80-1A</b>	<b>SEAL,218/328,3218,CARBON C C+</b>	2
7	<b>S328-80-2-U</b>	<b>O-RING,218/328,SEAL,BUNA C C+</b>	2
	<i>S328-80-2-E</i>	<i>O-RING,218/328,SEAL,EPDM,2-222 C C+</i>	2
	<i>S328-80-2-V</i>	<i>O-RING,218/328,SEAL,VIT C C+</i>	2
8	<b>328E-80-3P</b>	<b>CUP,E,218/318/328/428 C C+</b>	2
9	<b>328E-80-4A</b>	<b>SPRING,E,218/318/328/428 C C+</b>	1
10	<b>328E-23-316L</b>	<b>COLLAR,E,218/328/428,DRIVE C C+</b>	1
11	<b>SC1103A-SS</b>	<b>SCREW,SET,1/4-20X1/4 E BALANCED</b>	2
12	<b>328D-24B-316L</b>	<b>RETAINER,IMPLR</b>	1
16	<b>CS328E21T-06</b>	<b>STUBSHAFT,210TC,UNIVRSL C218/C328</b>	1
17	<b>S328-75AR-S</b>	<b>CLAMP,218/328,CASING C C+</b>	1
18	<b>SX18000015</b>	<b>COLLAR,210TC,SHAFT LC</b>	1
19	<b>328D21T-71C-SS</b>	<b>ADAPTER,210TC FRAME,SS C218/C328/C+218/C+328</b>	1
20	<b>C328-21T-131-S</b>	<b>GUARD,SEAL,218/318/328/428,SS C C+ CB+ 210TC</b>	1
21	<b>GX5079600</b>	<b>CAPSCRW,HX,1/4-20X1/2,18-8SS HX HD</b>	1
22	<b>SC1710H-SS</b>	<b>CAPSCRW,HX,1/2-13X1,18-8SS HX HD</b>	4
30	<b>17-153-U</b>	<b>O-RING,218,STUFF BX,BUNA C</b>	1



**Exploded View**

*Optional Items Shown in ITALICS*

Ref #	Component Item No.	Description	Qty Per
30	<i>17-153-E</i>	<i>O-RING,218,STUFF BX,EPDM C C+</i>	1
	<i>17-153-V</i>	<i>O-RING,218,STUFF BX,VIT C C+</i>	1
31	<b>328E-83B-316</b>	<b>STUFFING BOX,E,218/328 C C+</b>	1
32	<b>SC1308H-SS</b>	<b>CAPSCRW,BH,5/16-18 X1/2,18-8SS BUTTON HD</b>	4
33	<i>17-274-E</i>	<i>O-RING,218,FOLLOWER,EPDM C C+</i>	1
	<i>17-274-U</i>	<i>O-RING,218,FOLLOWER,BUNA C C+</i>	1
	<i>17-274-V</i>	<i>O-RING,218,FOLLOWER,VIT C C+</i>	1
34	<b>328E-17-316</b>	<b>FOLLOWER,E,218/328,+218/328 C C+</b>	1
35	<b>LWA-1300-SS</b>	<b>WASHER,LOCK,5/16,18-8SS</b>	4
36	<b>SC1308E-SS</b>	<b>CAPSCRW,BH,5/16-18X3/4,18-8SS BUTTON HD</b>	4

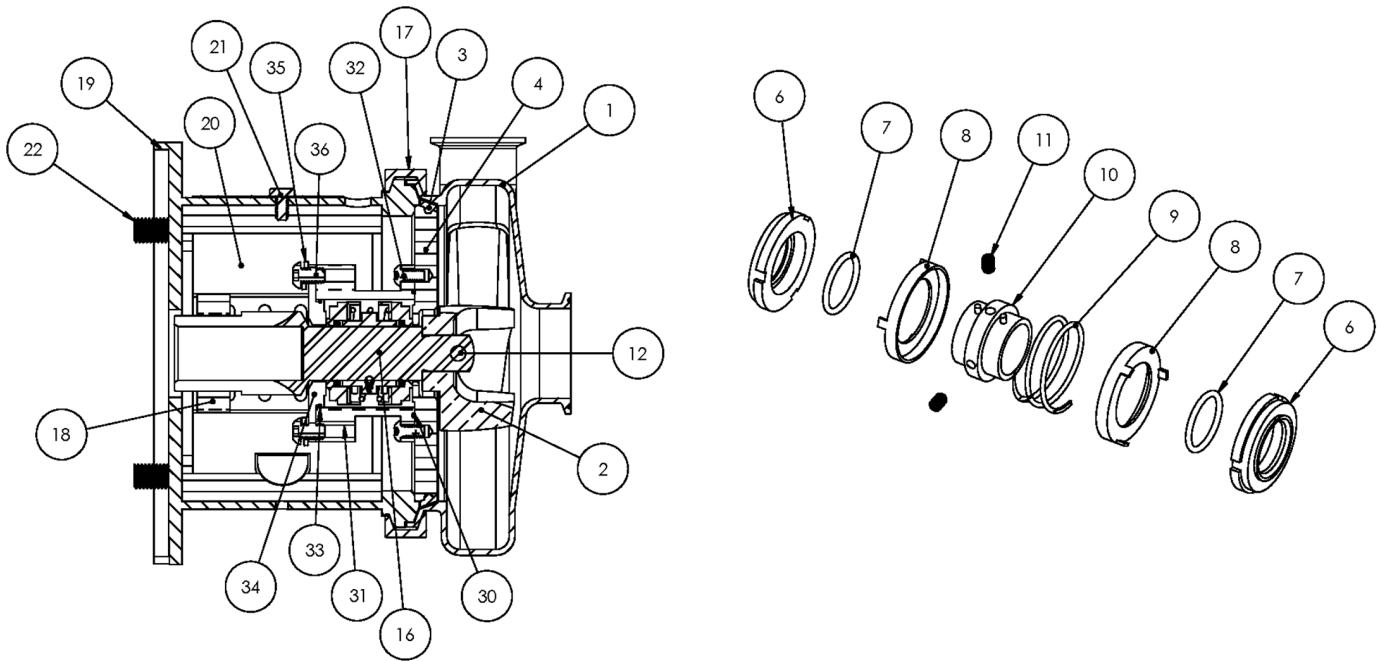


2	Impeller
15	Impeller Key
12	Impeller Nut
16	Stub Shaft
18	Shaft Collar
13	Impeller Nut Gasket
14	Impeller Gasket Back

**AC+ Conversion Kit**

*Optional Items Shown in ITALICS*

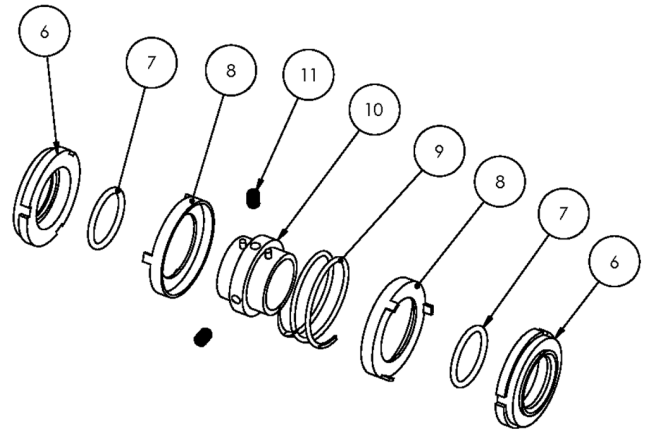
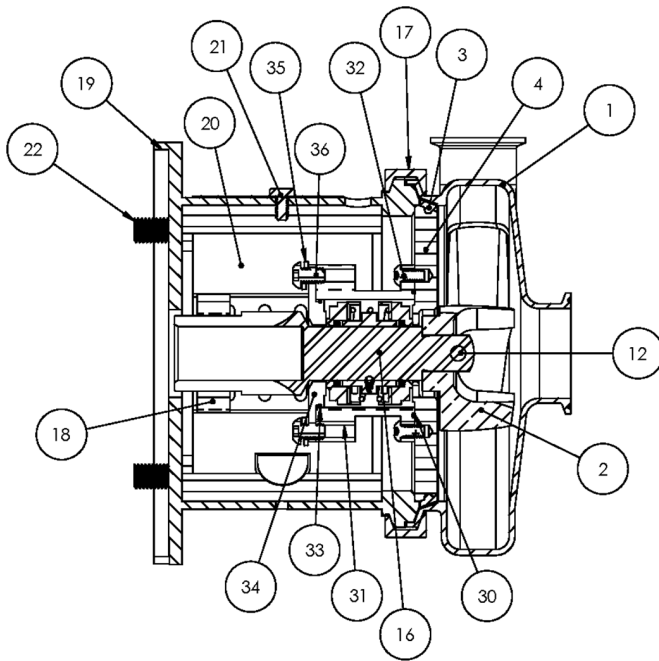
Ref #	Component Item No.	Description	Qty Per
1	<b>C+KIT-218/21</b>	<b>KIT,218,210TC,C+CONVRT,BUNA C</b>	<b>1</b>
	<i>C+KIT-218/21-E</i>	<i>KIT,218,210TC,C+CONVRT,EPDM C</i>	<i>1</i>
	<i>C+KIT-218/21-V</i>	<i>KIT,218,210TC,C+CONVRT,VIT C</i>	<i>1</i>



**Exploded View**

*Optional Items Shown in ITALICS*

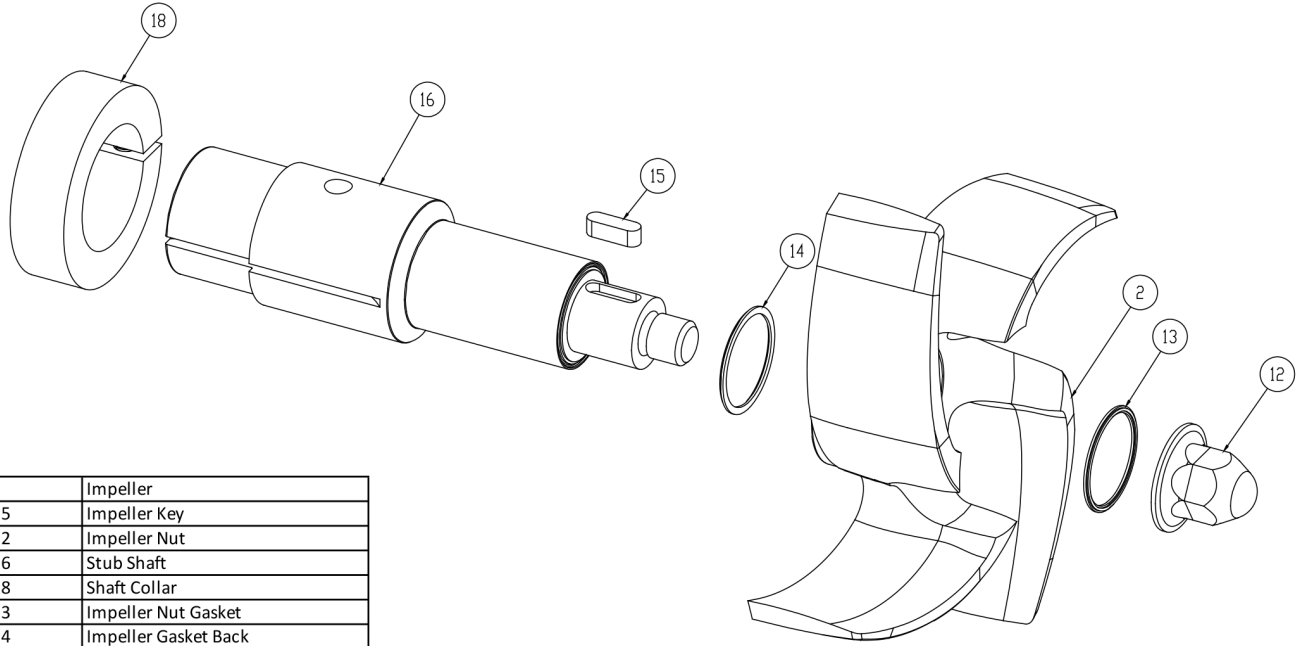
Ref #	Component Item No.	Description	Qty Per
1	<b>S218M-01D-316L</b>	<b>CASING,2X1-1/2,TRI-CLMP C218/C+218</b>	1
	<i>S218T-01C</i>	<i>CASING,2X1-1/2,BVL SEAT C218/C+218</i>	1
	<i>S218MI-01D</i>	<i>CASING,2X1-1/2,CLMP GLASS BEAD C218/C+218</i>	1
	<i>S218S-01C</i>	<i>CASING,2X1-1/2,NPT C218/C+218</i>	1
	<i>S218F-01C</i>	<i>CASING,2X1-1/2,FLNGD C218/C+218</i>	1
2	<b>S218-02C-316L</b>	<b>IMPELLER,218/318 C UNIVERSAL</b>	1
3	<b>S328-90A-U</b>	<b>GASKET,218/328,CASING,BUNA C C+</b>	1
	<i>S328-90A-E</i>	<i>GASKET,218/328,CASING,EPDM C C+</i>	1
	<i>S328-90A-V</i>	<i>GASKET,218/328,CASING,VIT C C+</i>	1
4	<b>328E-11B-316</b>	<b>BACKPLATE,E,218/328 C C+</b>	1
6	<b>328E-80-1A</b>	<b>SEAL,218/328,3218,CARBON C C+</b>	2
7	<b>S328-80-2-U</b>	<b>O-RING,218/328,SEAL,BUNA C C+</b>	2
	<i>S328-80-2-E</i>	<i>O-RING,218/328,SEAL,EPDM,2-222 C C+</i>	2
	<i>S328-80-2-V</i>	<i>O-RING,218/328,SEAL,VIT C C+</i>	2
8	<b>328E-80-3P</b>	<b>CUP,E,218/318/328/428 C C+</b>	2
9	<b>328E-80-4A</b>	<b>SPRING,E,218/318/328/428 C C+</b>	1
10	<b>328E-23-316L</b>	<b>COLLAR,E,218/328/428,DRIVE C C+</b>	1
11	<b>SC1103A-SS</b>	<b>SCREW,SET,1/4-20X1/4 E BALANCED</b>	2
12	<b>328D-24B-316L</b>	<b>RETAINER,IMPLR</b>	1
16	<b>CS328E25T-06</b>	<b>STUBSHAFT,250TC,UNIVRSL C218/C328</b>	1
17	<b>S328-75AR-S</b>	<b>CLAMP,218/328,CASING C C+</b>	1
18	<b>SX18000016</b>	<b>COLLAR,250TC/280TSC,SHAFT LC</b>	1
19	<b>328D25T-71C-SS</b>	<b>ADAPTER,250TC FRAME,SS C218/C328/C+218/C+328</b>	1
20	<b>C328-25T-131-S</b>	<b>GUARD,SEAL,218/328/428,SS C C+ CB+ 250TC</b>	1
21	<b>GX5079600</b>	<b>CAPSCRW,HX,1/4-20X1/2,18-8SS HX HD</b>	1
22	<b>SC1710H-SS</b>	<b>CAPSCRW,HX,1/2-13X1,18-8SS HX HD</b>	4
30	<b>17-153-U</b>	<b>O-RING,218,STUFF BX,BUNA C</b>	1



**Exploded View**

*Optional Items Shown in ITALICS*

Ref #	Component Item No.	Description	Qty Per
30	<i>17-153-E</i>	<i>O-RING,218,STUFF BX,EPDM C C+</i>	<i>1</i>
	<i>17-153-V</i>	<i>O-RING,218,STUFF BX,VIT C C+</i>	<i>1</i>
31	328E-83B-316	STUFFING BOX,E,218/328 C C+	1
32	SC1308H-SS	CAPSCRW,BH,5/16-18 X1/2,18-8SS BUTTON HD	4
33	<i>17-274-V</i>	<i>O-RING,218,FOLLOWER,VIT C C+</i>	<i>1</i>
	<i>17-274-E</i>	<i>O-RING,218,FOLLOWER,EPDM C C+</i>	<i>1</i>
	<i>17-274-U</i>	<i>O-RING,218,FOLLOWER,BUNA C C+</i>	<i>1</i>
34	328E-17-316	FOLLOWER,E,218/328,+218/328 C C+	1
35	LWA-1300-SS	WASHER,LOCK,5/16,18-8SS	4
36	SC1308E-SS	CAPSCRW,BH,5/16-18X3/4,18-8SS BUTTON HD	4

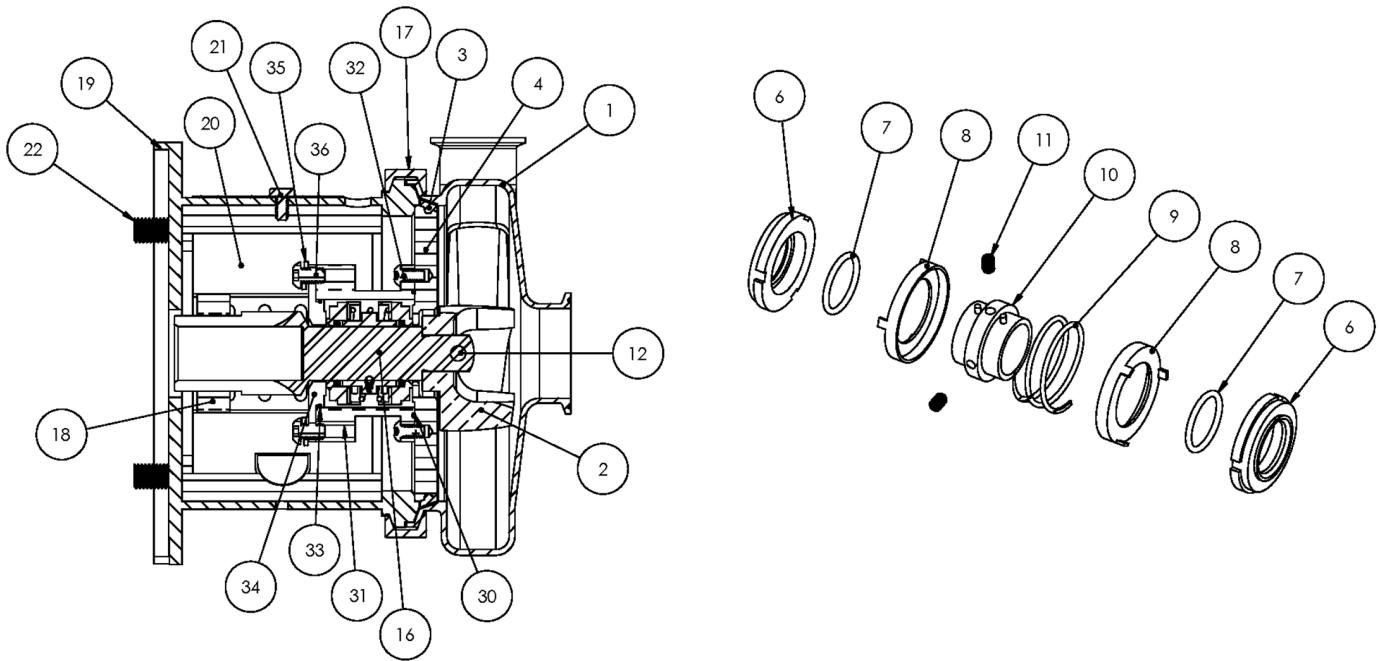


2	Impeller
15	Impeller Key
12	Impeller Nut
16	Stub Shaft
18	Shaft Collar
13	Impeller Nut Gasket
14	Impeller Gasket Back

**AC+ Conversion Kit**

*Optional Items Shown in ITALICS*

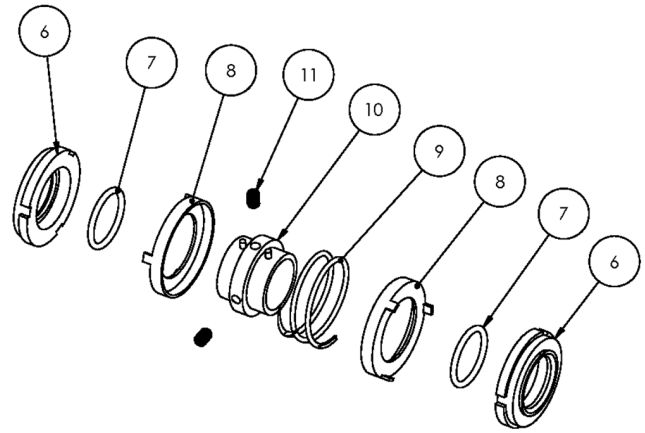
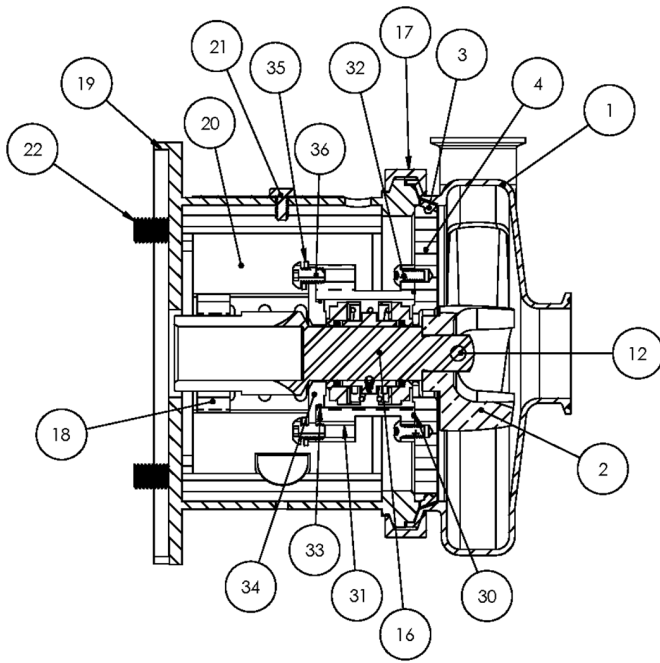
Ref #	Component Item No.	Description	Qty Per
1	<b>C+KIT-218/25</b>	<b>KIT,218,250TC,C+CONVRT,BUNA C</b>	<b>1</b>
	<i>C+KIT-218/25-E</i>	<i>KIT,218,250TC,C+CONVRT,EPDM C</i>	<i>1</i>
	<i>C+KIT-218/25-V</i>	<i>KIT,218,250TC,C+CONVRT,VIT C</i>	<i>1</i>



**Exploded View**

*Optional Items Shown in ITALICS*

Ref #	Component Item No.	Description	Qty Per
1	<b>S218M-01D-316L</b>	<b>CASING,2X1-1/2,TRI-CLMP C218/C+218</b>	1
	<i>S218T-01C</i>	<i>CASING,2X1-1/2,BVL SEAT C218/C+218</i>	1
	<i>S218MI-01D</i>	<i>CASING,2X1-1/2,CLMP GLASS BEAD C218/C+218</i>	1
	<i>S218S-01C</i>	<i>CASING,2X1-1/2,NPT C218/C+218</i>	1
	<i>S218F-01C</i>	<i>CASING,2X1-1/2,FLNGD C218/C+218</i>	1
2	<b>S218-02C-316L</b>	<b>IMPELLER,218/318 C UNIVERSAL</b>	1
3	<b>S328-90A-U</b>	<b>GASKET,218/328,CASING,BUNA C C+</b>	1
	<i>S328-90A-E</i>	<i>GASKET,218/328,CASING,EPDM C C+</i>	1
	<i>S328-90A-V</i>	<i>GASKET,218/328,CASING,VIT C C+</i>	1
4	<b>328E-11B-316</b>	<b>BACKPLATE,E,218/328 C C+</b>	1
6	<b>328E-80-1A</b>	<b>SEAL,218/328,3218,CARBON C C+</b>	2
7	<b>S328-80-2-U</b>	<b>O-RING,218/328,SEAL,BUNA C C+</b>	2
	<i>S328-80-2-E</i>	<i>O-RING,218/328,SEAL,EPDM,2-222 C C+</i>	2
	<i>S328-80-2-V</i>	<i>O-RING,218/328,SEAL,VIT C C+</i>	2
8	<b>328E-80-3P</b>	<b>CUP,E,218/318/328/428 C C+</b>	2
9	<b>328E-80-4A</b>	<b>SPRING,E,218/318/328/428 C C+</b>	1
10	<b>328E-23-316L</b>	<b>COLLAR,E,218/328/428,DRIVE C C+</b>	1
11	<b>SC1103A-SS</b>	<b>SCREW,SET,1/4-20X1/4 E BALANCED</b>	2
12	<b>328D-24B-316L</b>	<b>RETAINER,IMPLR</b>	1
16	<b>CS328E28T-06</b>	<b>STUBSHAFT,280TC,UNIVRSL C218/C328</b>	1
17	<b>S328-75AR-S</b>	<b>CLAMP,218/328,CASING C C+</b>	1
18	<b>SX18000027</b>	<b>COLLAR,280TC/320TSC,SHAFT LC</b>	1
19	<b>328D28T-71C-SS</b>	<b>ADAPTER,280TC/TSC FRAME,SS C218/C328/C+218/C+328</b>	1
20	<b>C328-28T-131-S</b>	<b>GUARD,SEAL,218/328/428/4410,SS C C+</b>	1
21	<b>GX5079600</b>	<b>CAPSCRW,HX,1/4-20X1/2,18-8SS HX HD</b>	1
22	<b>SC1710H-SS</b>	<b>CAPSCRW,HX,1/2-13X1,18-8SS HX HD</b>	4
30	<b>17-153-U</b>	<b>O-RING,218,STUFF BX,BUNA C</b>	1

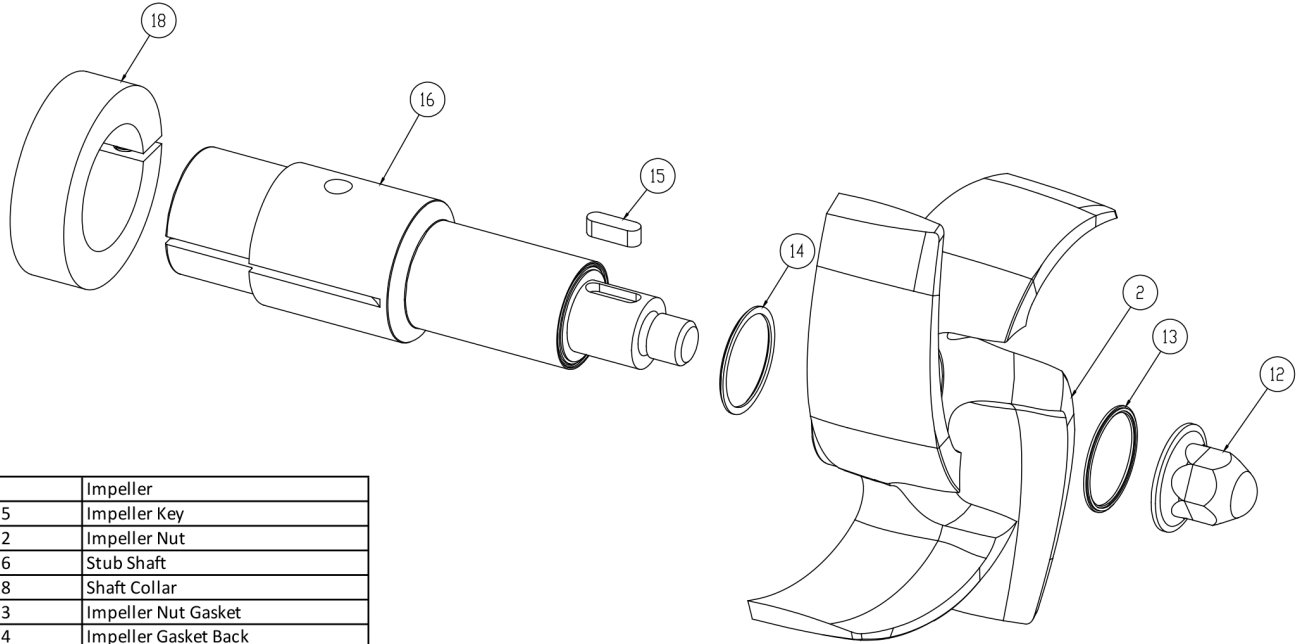


**Exploded View**

*Optional Items Shown in ITALICS*

Ref #	Component Item No.	Description	Qty Per
30	<i>17-153-E</i>	<i>O-RING,218,STUFF BX,EPDM C C+</i>	1
	<i>17-153-V</i>	<i>O-RING,218,STUFF BX,VIT C C+</i>	1
31	<b>328E-83B-316</b>	<b>STUFFING BOX,E,218/328 C C+</b>	1
32	<b>SC1308H-SS</b>	<b>CAPSCRW,BH,5/16-18 X1/2,18-8SS BUTTON HD</b>	4
33	<i>17-274-V</i>	<i>O-RING,218,FOLLOWER,VIT C C+</i>	1
	<i>17-274-E</i>	<i>O-RING,218,FOLLOWER,EPDM C C+</i>	1
	<i>17-274-U</i>	<i>O-RING,218,FOLLOWER,BUNA C C+</i>	1
34	<b>328E-17-316</b>	<b>FOLLOWER,E,218/328,+218/328 C C+</b>	1
35	<b>LWA-1300-SS</b>	<b>WASHER,LOCK,5/16,18-8SS</b>	4
36	<b>SC1308E-SS</b>	<b>CAPSCRW,BH,5/16-18X3/4,18-8SS BUTTON HD</b>	4



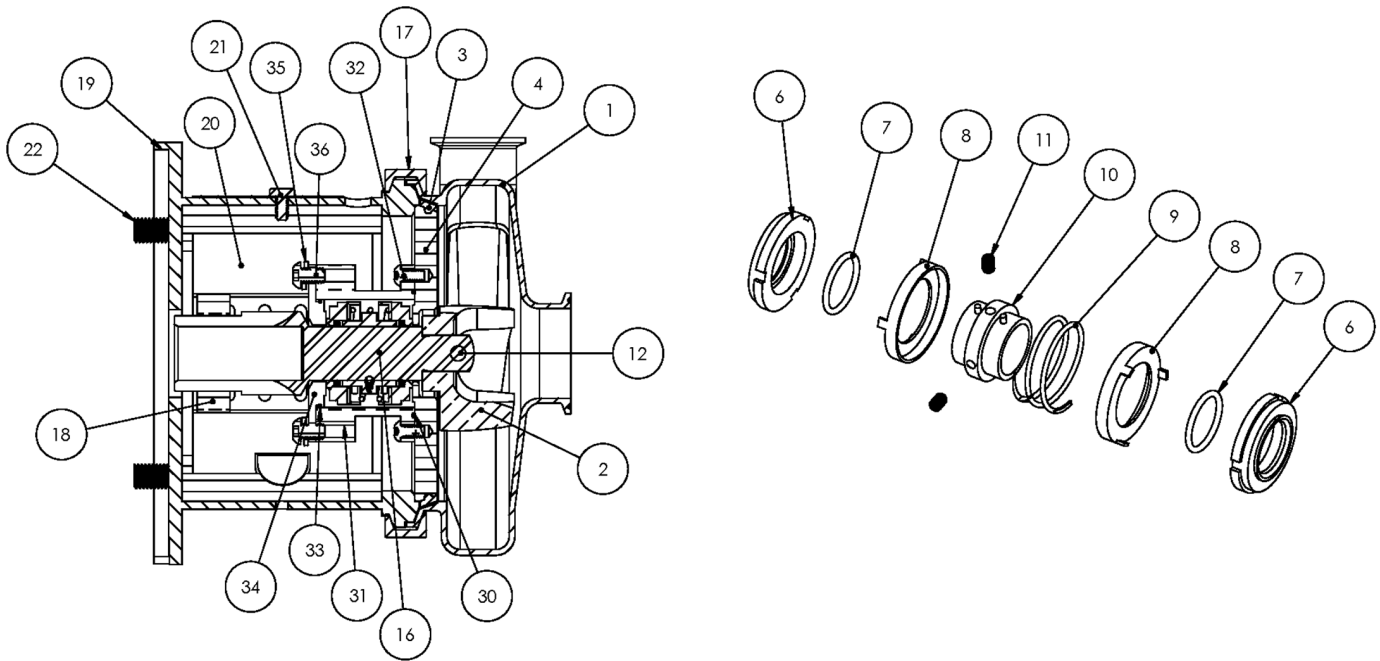


2	Impeller
15	Impeller Key
12	Impeller Nut
16	Stub Shaft
18	Shaft Collar
13	Impeller Nut Gasket
14	Impeller Gasket Back

**AC+ Conversion Kit**

*Optional Items Shown in ITALICS*

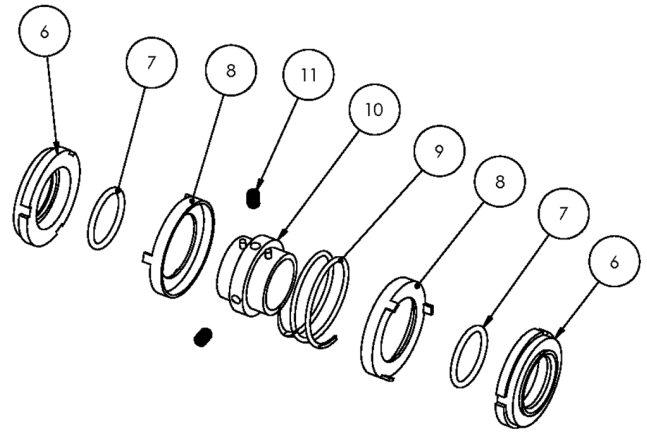
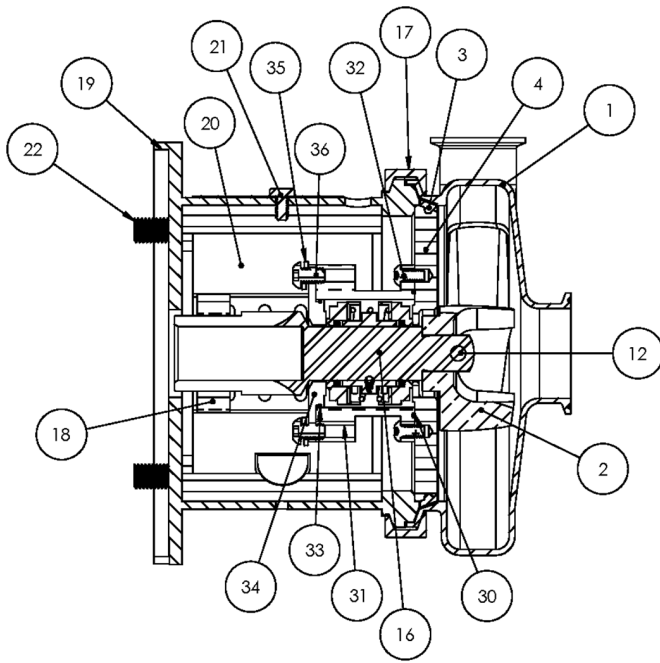
Ref #	Component Item No.	Description	Qty Per
1	<b>C+KIT-218/28</b>	<b>KIT,218,280TC,C+CONVRT,BUNA C</b>	<b>1</b>
	<i>C+KIT-218/28-E</i>	<i>KIT,218,280TC,C+CONVRT,EPDM C</i>	<i>1</i>
	<i>C+KIT-218/28-V</i>	<i>KIT,218,280TC,C+CONVRT,VIT C</i>	<i>1</i>



**Exploded View**

*Optional Items Shown in ITALICS*

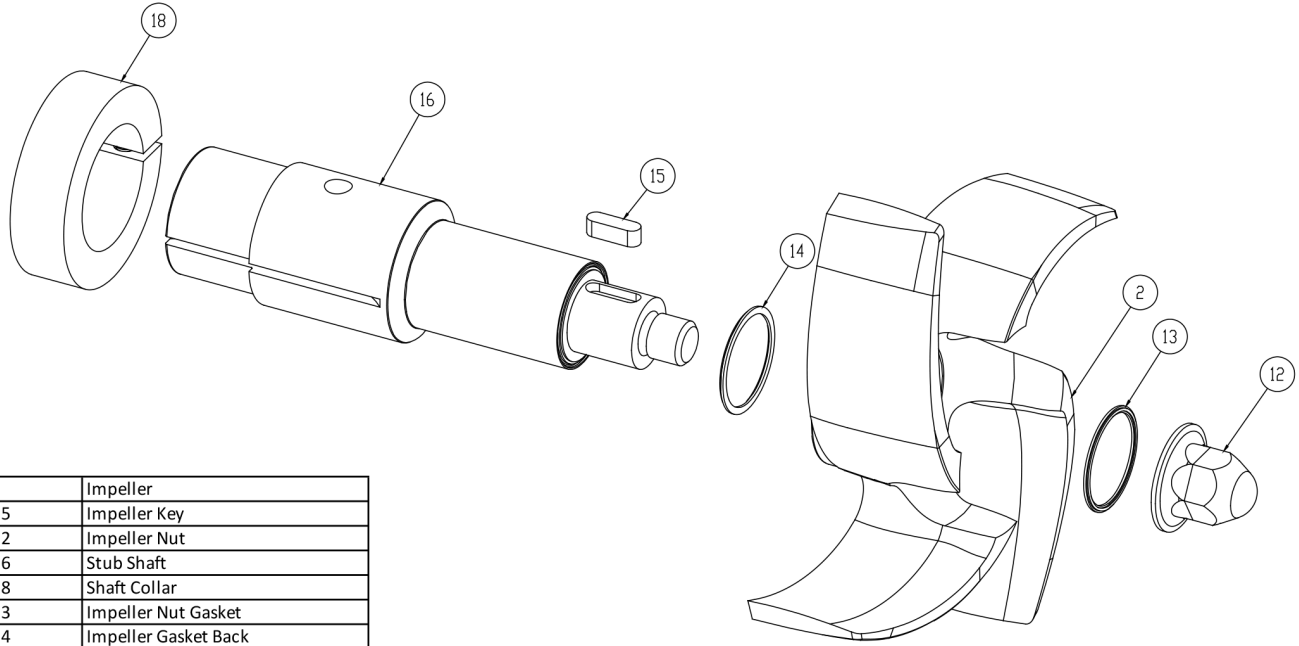
Ref #	Component Item No.	Description	Qty Per
1	<b>S218M-01D-316L</b>	<b>CASING,2X1-1/2,TRI-CLMP C218/C+218</b>	1
	<i>S218T-01C</i>	<i>CASING,2X1-1/2,BVL SEAT C218/C+218</i>	1
	<i>S218MI-01D</i>	<i>CASING,2X1-1/2,CLMP GLASS BEAD C218/C+218</i>	1
	<i>S218S-01C</i>	<i>CASING,2X1-1/2,NPT C218/C+218</i>	1
	<i>S218F-01C</i>	<i>CASING,2X1-1/2,FLNGD C218/C+218</i>	1
2	<b>S218-02C-316L</b>	<b>IMPELLER,218/318 C UNIVERSAL</b>	1
3	<b>S328-90A-U</b>	<b>GASKET,218/328,CASING,BUNA C C+</b>	1
	<i>S328-90A-E</i>	<i>GASKET,218/328,CASING,EPDM C C+</i>	1
	<i>S328-90A-V</i>	<i>GASKET,218/328,CASING,VIT C C+</i>	1
4	<b>328E-11B-316</b>	<b>BACKPLATE,E,218/328 C C+</b>	1
6	<b>328E-80-1A</b>	<b>SEAL,218/328,3218,CARBON C C+</b>	2
7	<b>S328-80-2-U</b>	<b>O-RING,218/328,SEAL,BUNA C C+</b>	2
	<i>S328-80-2-E</i>	<i>O-RING,218/328,SEAL,EPDM,2-222 C C+</i>	2
	<i>S328-80-2-V</i>	<i>O-RING,218/328,SEAL,VIT C C+</i>	2
8	<b>328E-80-3P</b>	<b>CUP,E,218/318/328/428 C C+</b>	2
9	<b>328E-80-4A</b>	<b>SPRING,E,218/318/328/428 C C+</b>	1
10	<b>328E-23-316L</b>	<b>COLLAR,E,218/328/428,DRIVE C C+</b>	1
11	<b>SC1103A-SS</b>	<b>SCREW,SET,1/4-20X1/4 E BALANCED</b>	2
12	<b>328D-24B-316L</b>	<b>RETAINER,IMPLR</b>	1
16	<b>CS328E28TS-06</b>	<b>STUBSHAFT,280TSC,UNIVRSL C218/C328</b>	1
17	<b>S328-75AR-S</b>	<b>CLAMP,218/328,CASING C C+</b>	1
18	<b>SX18000035</b>	<b>COLLAR,250TC/280TSC,SHAFT LC</b>	1
19	<b>328D28T-71C-SS</b>	<b>ADAPTER,280TC/TSC FRAME,SS C218/C328/C+218/C+328</b>	1
20	<b>C328-28T-131-S</b>	<b>GUARD,SEAL,218/328/428/4410,SS C C+</b>	1
21	<b>GX5079600</b>	<b>CAPSCRW,HX,1/4-20X1/2,18-8SS HX HD</b>	1
22	<b>SC1710H-SS</b>	<b>CAPSCRW,HX,1/2-13X1,18-8SS HX HD</b>	4
30	<b>17-153-U</b>	<b>O-RING,218,STUFF BX,BUNA C</b>	1



**Exploded View**

*Optional Items Shown in ITALICS*

Ref #	Component Item No.	Description	Qty Per
30	<i>17-153-E</i>	<i>O-RING,218,STUFF BX,EPDM C C+</i>	1
	<i>17-153-V</i>	<i>O-RING,218,STUFF BX,VIT C C+</i>	1
31	<b>328E-83B-316</b>	<b>STUFFING BOX,E,218/328 C C+</b>	1
32	<b>SC1308H-SS</b>	<b>CAPSCRW,BH,5/16-18 X1/2,18-8SS BUTTON HD</b>	4
33	<i>17-274-V</i>	<i>O-RING,218,FOLLOWER,VIT C C+</i>	1
	<i>17-274-U</i>	<i>O-RING,218,FOLLOWER,BUNA C C+</i>	1
	<i>17-274-E</i>	<i>O-RING,218,FOLLOWER,EPDM C C+</i>	1
34	<b>328E-17-316</b>	<b>FOLLOWER,E,218/328,+218/328 C C+</b>	1
35	<b>LWA-1300-SS</b>	<b>WASHER,LOCK,5/16,18-8SS</b>	4
36	<b>SC1308E-SS</b>	<b>CAPSCRW,BH,5/16-18X3/4,18-8SS BUTTON HD</b>	4

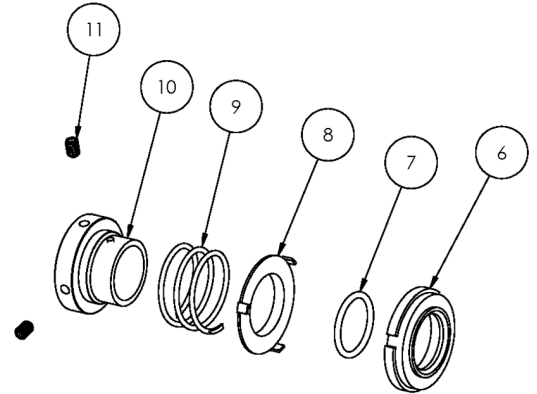
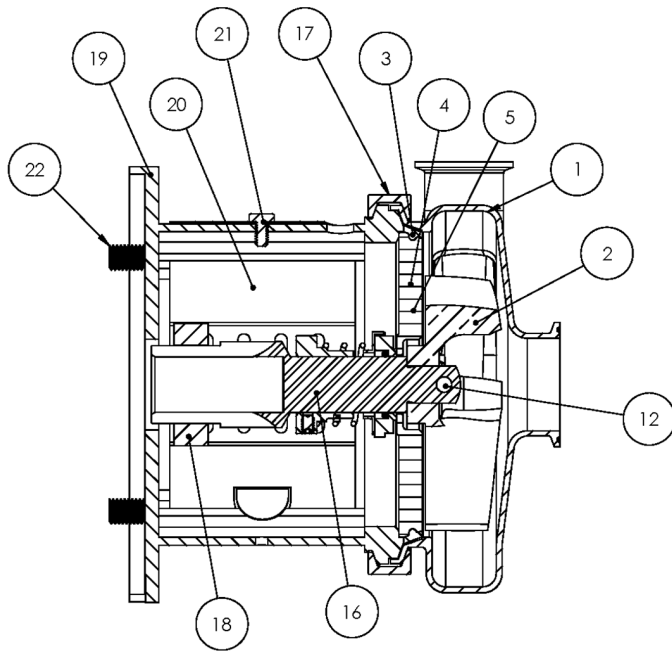


2	Impeller
15	Impeller Key
12	Impeller Nut
16	Stub Shaft
18	Shaft Collar
13	Impeller Nut Gasket
14	Impeller Gasket Back

**AC+ Conversion Kit**

*Optional Items Shown in ITALICS*

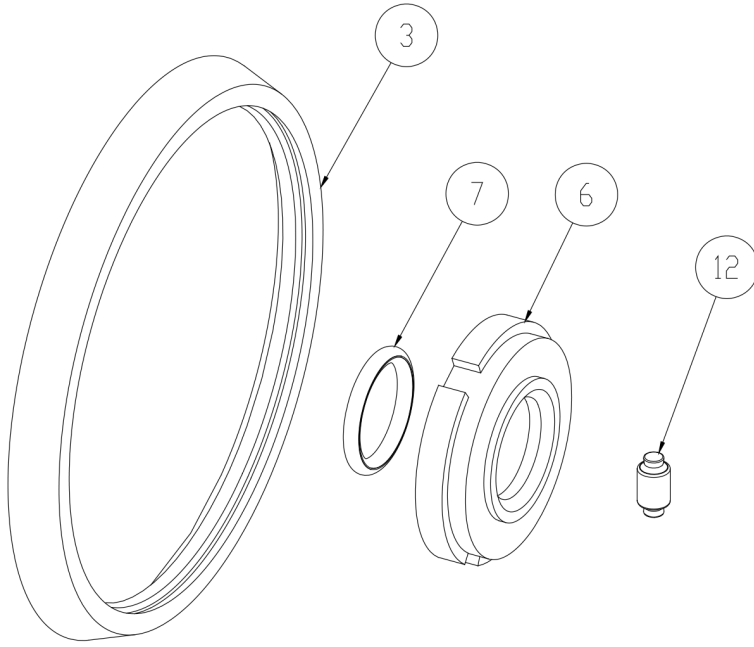
Ref #	Component Item No.	Description	Qty Per
1	<b>C+KIT-218/28TS</b>	<b>KIT,218,280TSC,C+CONVRT,BUNA C</b>	<b>1</b>
	<i>C+KIT-218/28TSE</i>	<i>KIT,218,280TSC,C+CONVRT,EPDM C</i>	<i>1</i>
	<i>C+KIT-218/28TSV</i>	<i>KIT,218,280TSC,C+CONVRT,VIT C</i>	<i>1</i>



**Exploded View**

*Optional Items Shown in ITALICS*

Ref #	Component Item No.	Description	Qty Per
1	<b>S316M-01C-E</b>	<b>CASING,2-1/2X1-1/2,TRI-CLMP C316/C+316</b>	1
	<i>S316T-01C-E</i>	<i>CASING,2-1/2X1-1/2,BVL SEAT C316/C+316</i>	1
	<i>S316MI-01C-E</i>	<i>CASING,2-1/2X1-1/2,CLMP GLASS C316/C+316</i>	1
	<i>S316S-01C-E</i>	<i>CASING,2-1/2X1-1/2,NPT C316/C+316</i>	1
	<i>S316F-01D-E</i>	<i>CASING,2-1/2X1-1/2,FLNGD C316/C+316</i>	1
2	<b>S216-02C-316L</b>	<b>IMPELLER,216/316 C UNIVERSAL</b>	1
3	<b>S216-90A-U</b>	<b>GASKET,216,CASING,BUNA C C+</b>	1
	<i>S216-90A-E</i>	<i>GASKET,216,CASING,EPDM C C+</i>	1
	<i>S216-90A-V</i>	<i>GASKET,216,CASING,VIT C C+</i>	1
4	<b>216D-11-316</b>	<b>BACKPLATE,D,216 C C+</b>	1
5	<b>216D-11-1-S</b>	<b>PIN,BACKPLT,114/216/328 C C+</b>	2
6	<b>216E-80-1A</b>	<b>SEAL,216/316,+2116,CARBON +2116 C C+</b>	1
7	<b>01-1165-19-U</b>	<b>O-RING,216,SEAL,BUNA C</b>	1
	<i>01-1165-19-E</i>	<i>O-RING,216,SEAL,EPDM C</i>	1
	<i>01-1165-19-V</i>	<i>O-RING,216,SEAL,VITON C</i>	1
8	<b>216D-80-3P</b>	<b>CUP,D,216/316,+216/316/4329 C C+</b>	1
9	<b>216D-80-4</b>	<b>SPRING,D,216/316/+2116 C C+ DB</b>	1
10	<b>SP216D-23P-S</b>	<b>COLLAR,D,+216/+2116DRIVE C+ DB</b>	1
11	<b>SC1105A-SS</b>	<b>SCREW,SET,DRV COLLR,1/4-20X3/8 -SS</b>	2
12	<b>216D-24B-316L</b>	<b>RETAINER,IMPLR</b>	1
16	<b>CS216E56T-06</b>	<b>STUBSHAFT,56C,UNIVRSL C216</b>	1
17	<b>S216-75AR-S</b>	<b>CLAMP,216,CASING C C+</b>	1
18	<b>SX18000013</b>	<b>COLLAR,56C/140TC,SHAFT L SEE ITEM NOTES</b>	1
19	<b>216D56T-71C-SS</b>	<b>ADAPTER,56C-140TC,SS C216/C+216</b>	1
20	<b>C216-56T-131-S</b>	<b>GUARD,SEAL,216/316,SS C C+ CB+ IC+ 56C-140TC</b>	1
21	<b>GX5079600</b>	<b>CAPSCRW,HX,1/4-20X1/2,18-8SS HX HD</b>	1
22	<b>GX5077100</b>	<b>CAPSCRW,HX,3/8-16X1,18-8SS HX HD</b>	4

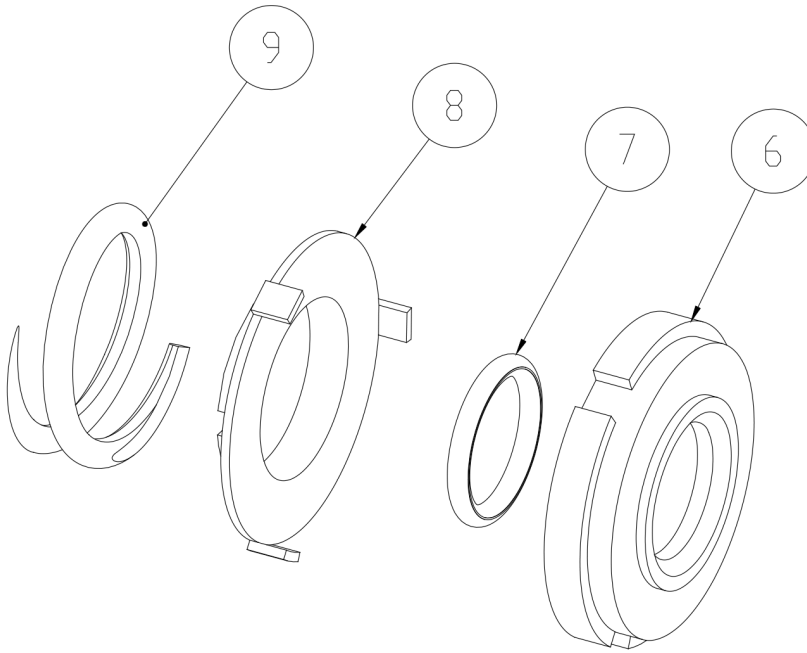


3	Casing Gasket
6	Seal Carbon
7	Seal O-Ring
12	Impeller Pin

**Seal Kit #1**

*Optional Items Shown in ITALICS*

Ref #	Component Item No.	Description	Qty Per
1	<b>KIT#1-C216-B</b>	<b>KIT,#1,216,SEAL,BUNA C</b>	<b>1</b>
	<i>KIT#1-C216-E</i>	<i>KIT,#1,SEAL,216,EPDM C</i>	<i>1</i>
	<i>KIT#1-C216-S</i>	<i>KIT,#1,SEAL,216,SFY,VIT C</i>	<i>1</i>

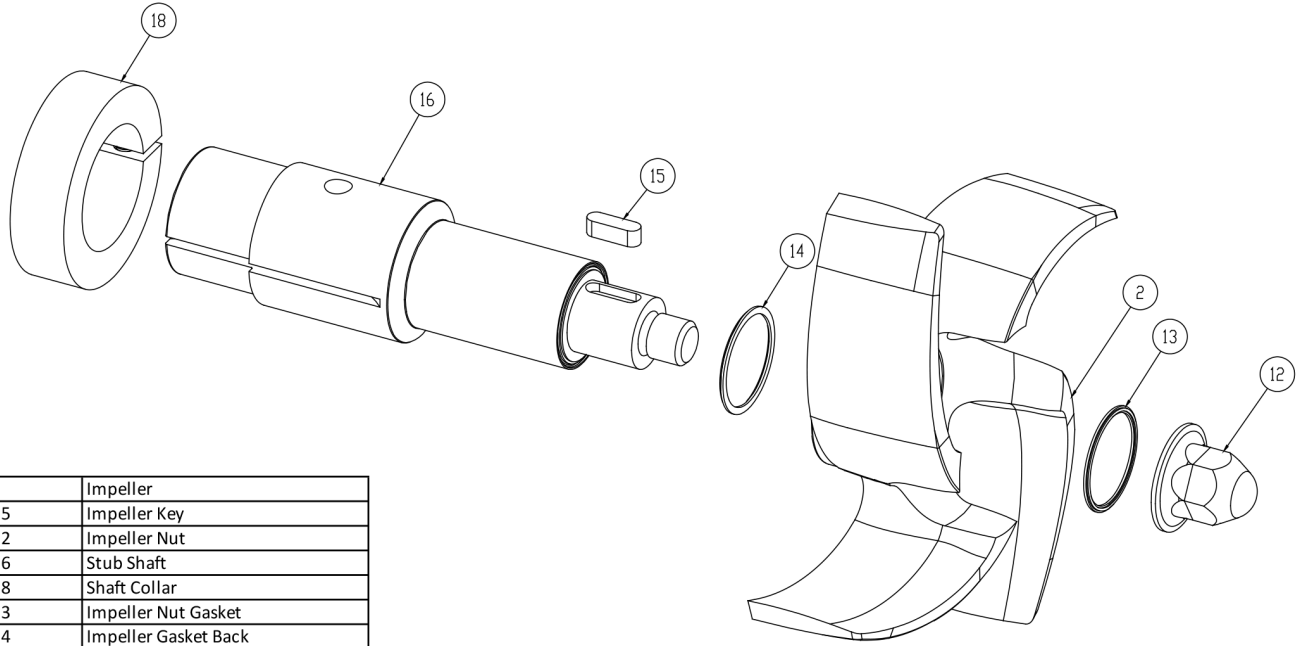


6	Seal Carbon
7	Seal O-Ring
8	Cup D Seal
9	Spring D Seal

**Seal Kit #3**

*Optional Items Shown in ITALICS*

Ref #	Component Item No.	Description	Qty Per
1	<b>KIT#3-C216-B</b>	<b>KIT,#3,216,SEAL,BUNA C</b>	<b>1</b>
	<i>KIT#3-C216-E</i>	<i>KIT,#3,SEAL,216,EPDM C</i>	<i>1</i>
	<i>KIT#3-C216-S</i>	<i>KIT,#3,SEAL,216,SFY,VIT C</i>	<i>1</i>



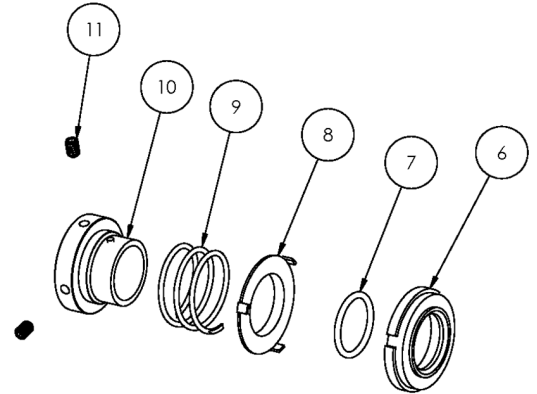
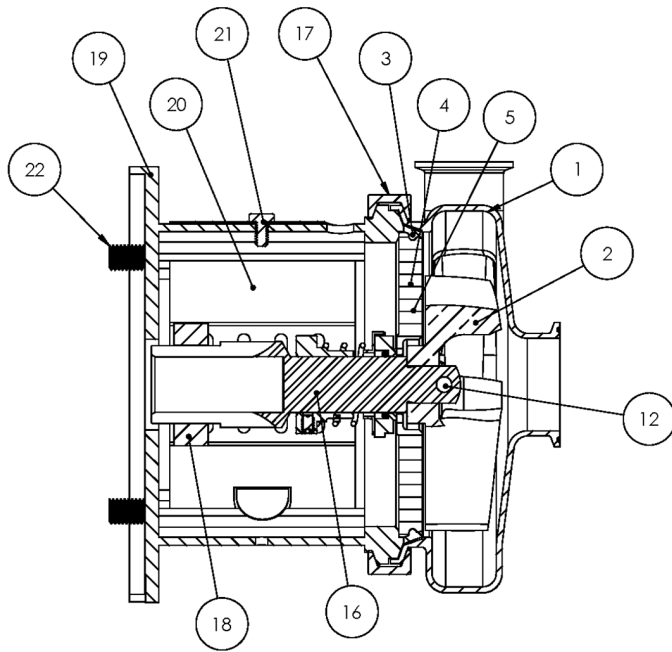
2	Impeller
15	Impeller Key
12	Impeller Nut
16	Stub Shaft
18	Shaft Collar
13	Impeller Nut Gasket
14	Impeller Gasket Back

**AC+ Conversion Kit**

*Optional Items Shown in ITALICS*

Ref #	Component Item No.	Description	Qty Per
1	<b>C+KIT-216/56</b>	<b>KIT,216,56TC,C+CONVRT,BUNA C</b>	<b>1</b>
	<i>C+KIT-216/56-E</i>	<i>KIT,216,56TC,C+CONVRT,EPDM C</i>	<i>1</i>
	<i>C+KIT-216/56-V</i>	<i>KIT,216,56TC,C+CONVRT,VIT CL VI C</i>	<i>1</i>

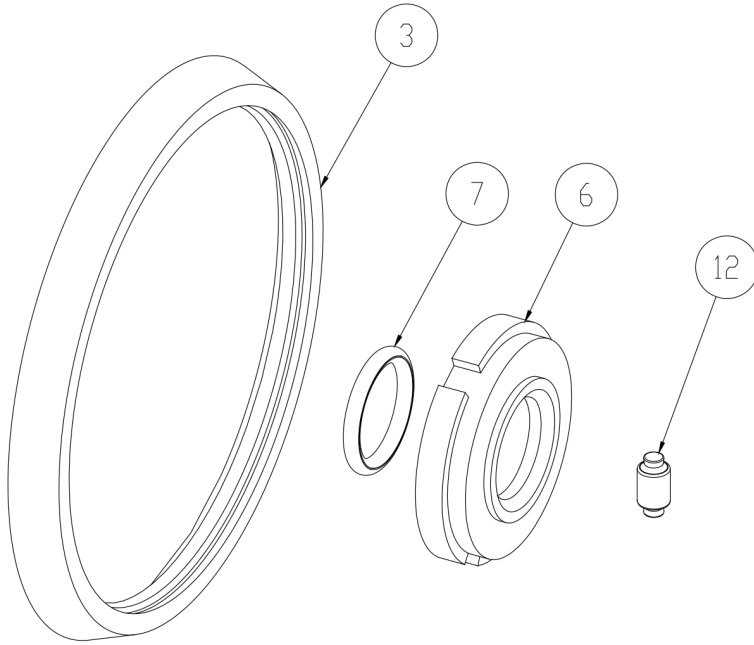




**Exploded View**

*Optional Items Shown in ITALICS*

Ref #	Component Item No.	Description	Qty Per
1	<b>S316M-01C-E</b>	<b>CASING,2-1/2X1-1/2,TRI-CLMP C316/C+316</b>	1
	<i>S316T-01C-E</i>	<i>CASING,2-1/2X1-1/2,BVL SEAT C316/C+316</i>	1
	<i>S316MI-01C-E</i>	<i>CASING,2-1/2X1-1/2,CLMP GLASS C316/C+316</i>	1
	<i>S316S-01C-E</i>	<i>CASING,2-1/2X1-1/2,NPT C316/C+316</i>	1
	<i>S316F-01D-E</i>	<i>CASING,2-1/2X1-1/2,FLNGD C316/C+316</i>	1
2	<b>S216-02C-316L</b>	<b>IMPELLER,216/316 C UNIVERSAL</b>	1
3	<b>S216-90A-U</b>	<b>GASKET,216,CASING,BUNA C C+</b>	1
	<i>S216-90A-E</i>	<i>GASKET,216,CASING,EPDM C C+</i>	1
	<i>S216-90A-V</i>	<i>GASKET,216,CASING,VIT C C+</i>	1
4	<b>216D-11-316</b>	<b>BACKPLATE,D,216 C C+</b>	1
5	<b>216D-11-1-S</b>	<b>PIN,BACKPLT,114/216/328 C C+</b>	2
6	<b>216E-80-1A</b>	<b>SEAL,216/316,+2116,CARBON +2116 C C+</b>	1
7	<b>01-1165-19-U</b>	<b>O-RING,216,SEAL,BUNA C</b>	1
	<i>01-1165-19-E</i>	<i>O-RING,216,SEAL,EPDM C</i>	1
	<i>01-1165-19-V</i>	<i>O-RING,216,SEAL,VITON C</i>	1
8	<b>216D-80-3P</b>	<b>CUP,D,216/316,+216/316/4329 C C+</b>	1
9	<b>216D-80-4</b>	<b>SPRING,D,216/316/+2116 C C+ DB</b>	1
10	<b>SP216D-23P-S</b>	<b>COLLAR,D,+216/+2116DRIVE C+ DB</b>	1
11	<b>SC1105A-SS</b>	<b>SCREW,SET,DRV COLLR,1/4-20X3/8 -SS</b>	2
12	<b>216D-24B-316L</b>	<b>RETAINER,IMPLR</b>	1
16	<b>CS216E14T-06</b>	<b>STUBSHAFT,140TC,UNIVRSL C216</b>	1
17	<b>S216-75AR-S</b>	<b>CLAMP,216,CASING C C+</b>	1
18	<b>SX18000013</b>	<b>COLLAR,56C/140TC,SHAFT L SEE ITEM NOTES</b>	1
19	<b>216D56T-71C-SS</b>	<b>ADAPTER,56C-140TC,SS C216/C+216</b>	1
20	<b>C216-56T-131-S</b>	<b>GUARD,SEAL,216/316,SS C C+ CB+ IC+ 56C-140TC</b>	1
21	<b>GX5079600</b>	<b>CAPSCRW,HX,1/4-20X1/2,18-8SS HX HD</b>	1
22	<b>GX5077100</b>	<b>CAPSCRW,HX,3/8-16X1,18-8SS HX HD</b>	4

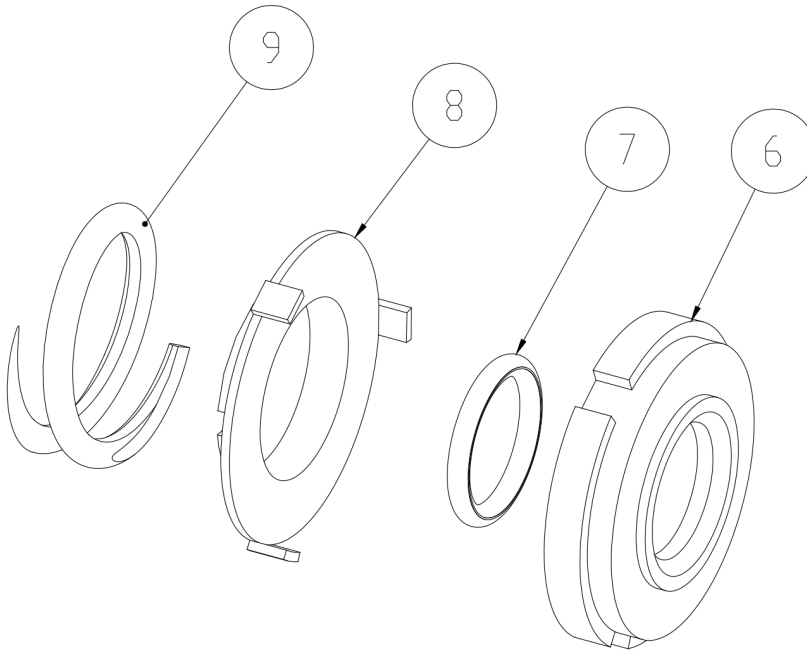


3	Casing Gasket
6	Seal Carbon
7	Seal O-Ring
12	Impeller Pin

**Seal Kit #1**

*Optional Items Shown in ITALICS*

Ref #	Component Item No.	Description	Qty Per
1	<b>KIT#1-C216-B</b>	<b>KIT,#1,216,SEAL,BUNA C</b>	<b>1</b>
	<i>KIT#1-C216-E</i>	<i>KIT,#1,SEAL,216,EPDM C</i>	<i>1</i>
	<i>KIT#1-C216-S</i>	<i>KIT,#1,SEAL,216,SFY,VIT C</i>	<i>1</i>

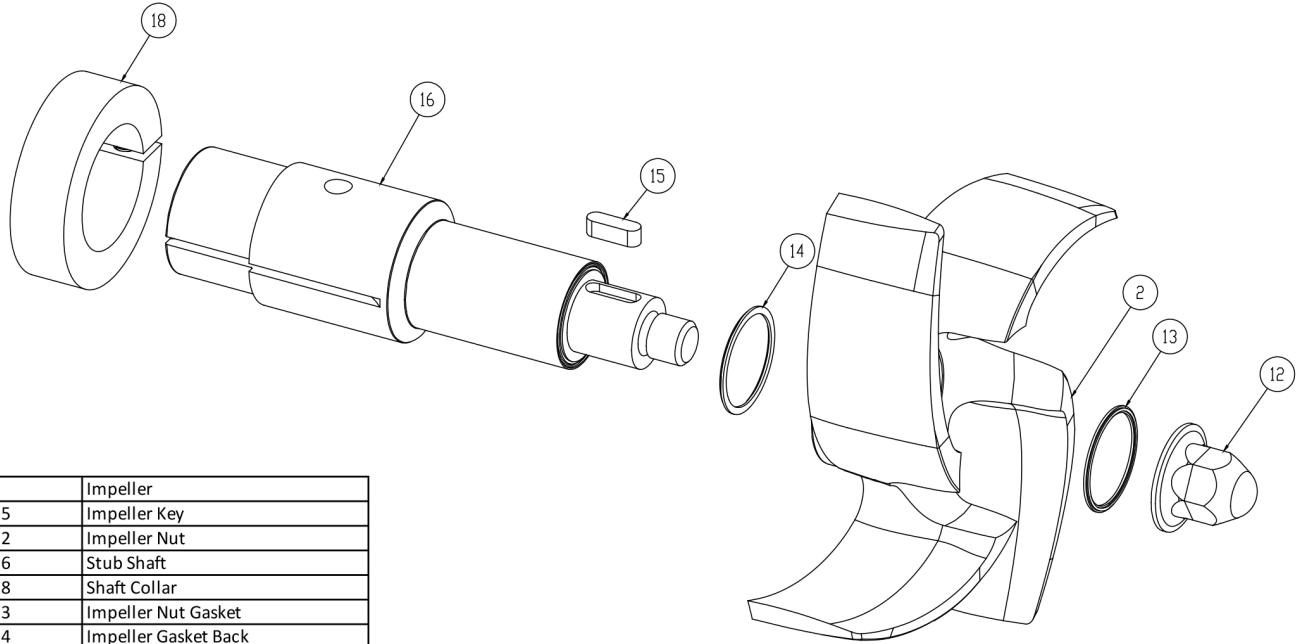


6	Seal Carbon
7	Seal O-Ring
8	Cup D Seal
9	Spring D Seal

**Seal Kit #3**

*Optional Items Shown in ITALICS*

Ref #	Component Item No.	Description	Qty Per
1	<b>KIT#3-C216-B</b>	<b>KIT,#3,216,SEAL,BUNA C</b>	<b>1</b>
	<i>KIT#3-C216-E</i>	<i>KIT,#3,SEAL,216,EPDM C</i>	<i>1</i>
	<i>KIT#3-C216-S</i>	<i>KIT,#3,SEAL,216,SFY,VIT C</i>	<i>1</i>

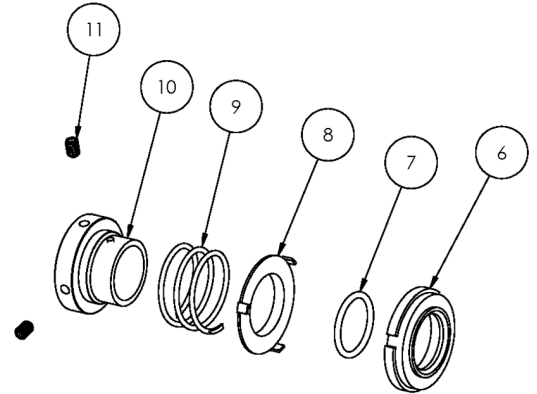
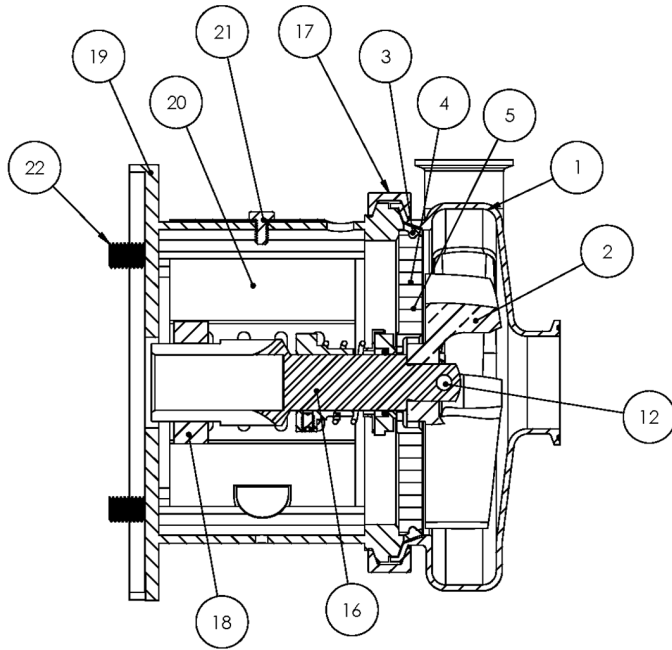


2	Impeller
15	Impeller Key
12	Impeller Nut
16	Stub Shaft
18	Shaft Collar
13	Impeller Nut Gasket
14	Impeller Gasket Back

**AC+ Conversion Kit**

*Optional Items Shown in ITALICS*

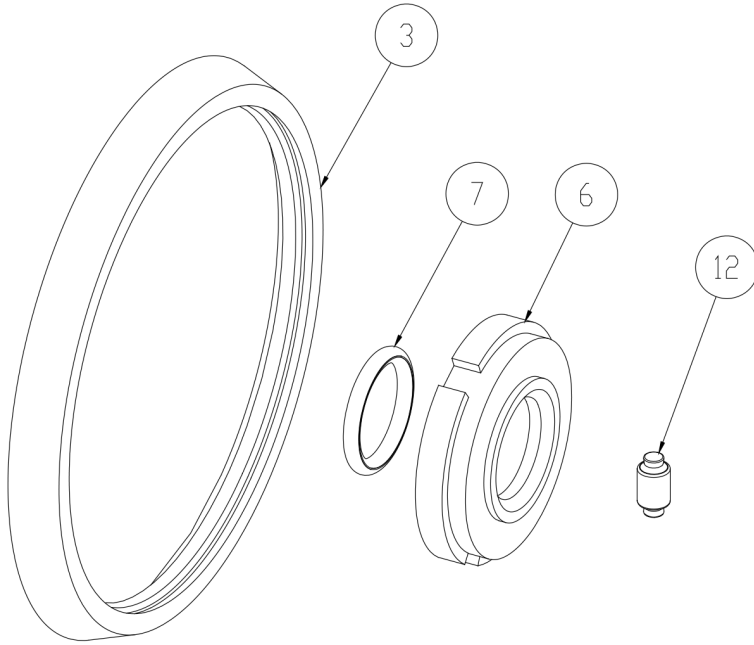
Ref #	Component Item No.	Description	Qty Per
1	<b>C+KIT-216/14</b>	<b>KIT,216,140TC,C+CONVRT,BUNA C</b>	<b>1</b>
	<i>C+KIT-216/14-E</i>	<i>KIT,216,140TC,C+CONVRT,EPDM C</i>	<i>1</i>
	<i>C+KIT-216/14-V</i>	<i>KIT,216,140TC,C+CONVRT,VIT C</i>	<i>1</i>



**Exploded View**

*Optional Items Shown in ITALICS*

Ref #	Component Item No.	Description	Qty Per
1	<b>S316M-01C-E</b>	<b>CASING,2-1/2X1-1/2,TRI-CLMP C316/C+316</b>	1
	<i>S316T-01C-E</i>	<i>CASING,2-1/2X1-1/2,BVL SEAT C316/C+316</i>	1
	<i>S316MI-01C-E</i>	<i>CASING,2-1/2X1-1/2,CLMP GLASS C316/C+316</i>	1
	<i>S316S-01C-E</i>	<i>CASING,2-1/2X1-1/2,NPT C316/C+316</i>	1
	<i>S316F-01D-E</i>	<i>CASING,2-1/2X1-1/2,FLNGD C316/C+316</i>	1
2	<b>S216-02C-316L</b>	<b>IMPELLER,216/316 C UNIVERSAL</b>	1
3	<b>S216-90A-U</b>	<b>GASKET,216,CASING,BUNA C C+</b>	1
	<i>S216-90A-E</i>	<i>GASKET,216,CASING,EPDM C C+</i>	1
	<i>S216-90A-V</i>	<i>GASKET,216,CASING,VIT C C+</i>	1
4	<b>216D-11-316</b>	<b>BACKPLATE,D,216 C C+</b>	1
5	<b>216D-11-1-S</b>	<b>PIN,BACKPLT,114/216/328 C C+</b>	2
6	<b>216E-80-1A</b>	<b>SEAL,216/316,+2116,CARBON +2116 C C+</b>	1
7	<b>01-1165-19-U</b>	<b>O-RING,216,SEAL,BUNA C</b>	1
	<i>01-1165-19-E</i>	<i>O-RING,216,SEAL,EPDM C</i>	1
	<i>01-1165-19-V</i>	<i>O-RING,216,SEAL,VITON C</i>	1
8	<b>216D-80-3P</b>	<b>CUP,D,216/316,+216/316/4329 C C+</b>	1
9	<b>216D-80-4</b>	<b>SPRING,D,216/316/+2116 C C+ DB</b>	1
10	<b>SP216D-23P-S</b>	<b>COLLAR,D,+216/+2116DRIVE C+ DB</b>	1
11	<b>SC1105A-SS</b>	<b>SCREW,SET,DRV COLLR,1/4-20X3/8 -SS</b>	2
12	<b>216D-24B-316L</b>	<b>RETAINER,IMPLR</b>	1
16	<b>CS216E18T-06</b>	<b>STUBSHAFT,180TC,UNIVRSL C216</b>	1
17	<b>S216-75AR-S</b>	<b>CLAMP,216,CASING C C+</b>	1
18	<b>SX18000014</b>	<b>COLLAR,180TC,SHAFT LC</b>	1
19	<b>216D18T-71D-SS</b>	<b>ADAPTER,180TC FRAME SS C216/C+216</b>	1
20	<b>C216-18T-131-S</b>	<b>GUARD,SEAL,216/316,SS C C+ IC+ 180TC</b>	1
21	<b>GX5079600</b>	<b>CAPSCRW,HX,1/4-20X1/2,18-8SS HX HD</b>	1
22	<b>SC1710H-SS</b>	<b>CAPSCRW,HX,1/2-13X1,18-8SS HX HD</b>	4

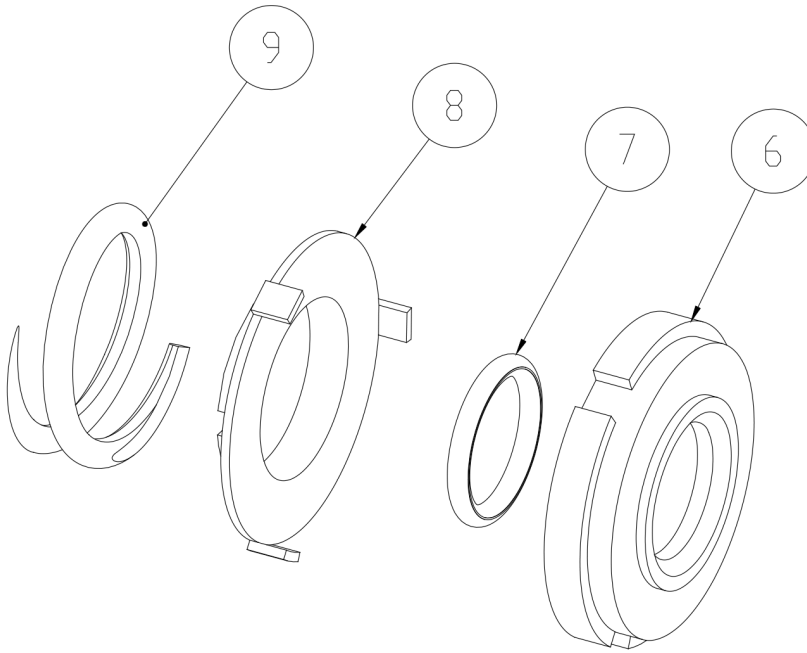


3	Casing Gasket
6	Seal Carbon
7	Seal O-Ring
12	Impeller Pin

**Seal Kit #1**

*Optional Items Shown in ITALICS*

Ref #	Component Item No.	Description	Qty Per
1	<b>KIT#1-C216-B</b>	<b>KIT,#1,216,SEAL,BUNA C</b>	<b>1</b>
	<i>KIT#1-C216-E</i>	<i>KIT,#1,SEAL,216,EPDM C</i>	<i>1</i>
	<i>KIT#1-C216-S</i>	<i>KIT,#1,SEAL,216,SFY,VIT C</i>	<i>1</i>

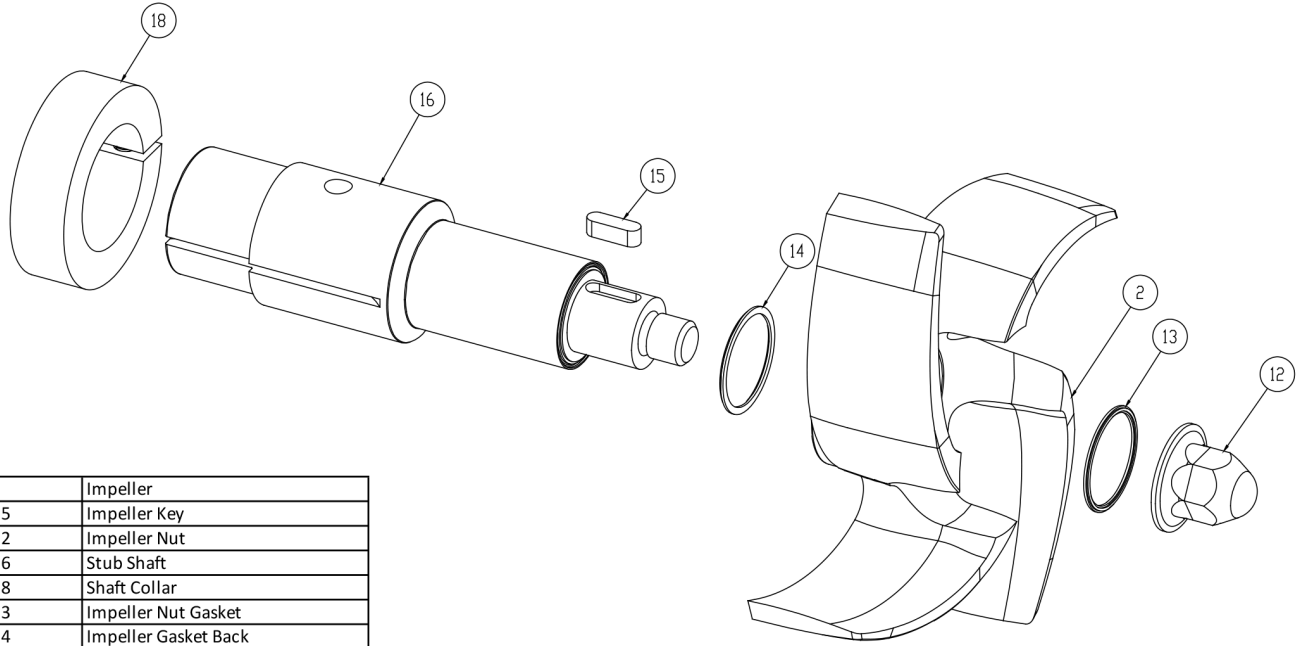


6	Seal Carbon
7	Seal O-Ring
8	Cup D Seal
9	Spring D Seal

**Seal Kit #3**

*Optional Items Shown in ITALICS*

Ref #	Component Item No.	Description	Qty Per
1	<b>KIT#3-C216-B</b>	<b>KIT,#3,216,SEAL,BUNA C</b>	<b>1</b>
	<i>KIT#3-C216-E</i>	<i>KIT,#3,SEAL,216,EPDM C</i>	<i>1</i>
	<i>KIT#3-C216-S</i>	<i>KIT,#3,SEAL,216,SFY,VIT C</i>	<i>1</i>



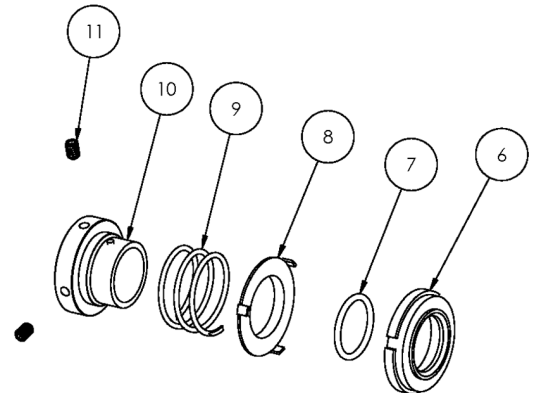
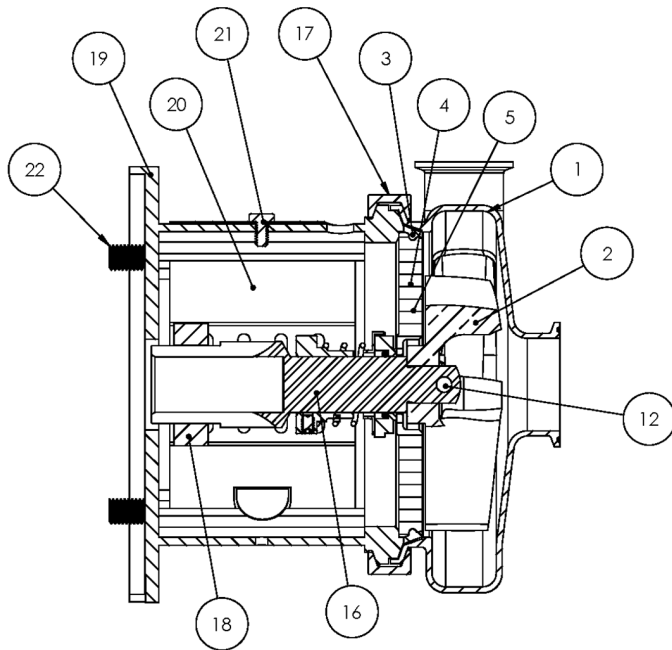
2	Impeller
15	Impeller Key
12	Impeller Nut
16	Stub Shaft
18	Shaft Collar
13	Impeller Nut Gasket
14	Impeller Gasket Back

**AC+ Conversion Kit**

*Optional Items Shown in ITALICS*

Ref #	Component Item No.	Description	Qty Per
1	<b>C+KIT-216/18</b>	<b>KIT,216,180TC,C+CONVRT,BUNA C</b>	<b>1</b>
	<i>C+KIT-216/18-E</i>	<i>KIT,216,180TC,C+CONVRT,EPDM C</i>	<i>1</i>
	<i>C+KIT-216/18-V</i>	<i>KIT,216,180TC,C+CONVRT,VIT C</i>	<i>1</i>

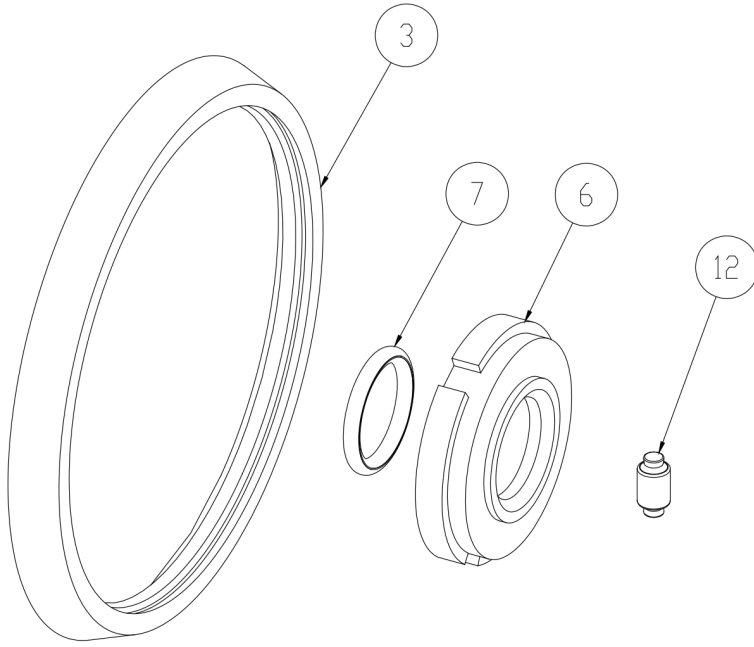




**Exploded View**

*Optional Items Shown in ITALICS*

Ref #	Component Item No.	Description	Qty Per
1	<b>S316M-01C-E</b>	<b>CASING,2-1/2X1-1/2,TRI-CLMP C316/C+316</b>	1
	<i>S316T-01C-E</i>	<i>CASING,2-1/2X1-1/2,BVL SEAT C316/C+316</i>	1
	<i>S316MI-01C-E</i>	<i>CASING,2-1/2X1-1/2,CLMP GLASS C316/C+316</i>	1
	<i>S316S-01C-E</i>	<i>CASING,2-1/2X1-1/2,NPT C316/C+316</i>	1
	<i>S316F-01D-E</i>	<i>CASING,2-1/2X1-1/2,FLNGD C316/C+316</i>	1
2	<b>S216-02C-316L</b>	<b>IMPELLER,216/316 C UNIVERSAL</b>	1
3	<b>S216-90A-U</b>	<b>GASKET,216,CASING,BUNA C C+</b>	1
	<i>S216-90A-E</i>	<i>GASKET,216,CASING,EPDM C C+</i>	1
	<i>S216-90A-V</i>	<i>GASKET,216,CASING,VIT C C+</i>	1
4	<b>216D-11-316</b>	<b>BACKPLATE,D,216 C C+</b>	1
5	<b>216D-11-1-S</b>	<b>PIN,BACKPLT,114/216/328 C C+</b>	2
6	<b>216E-80-1A</b>	<b>SEAL,216/316,+2116,CARBON +2116 C C+</b>	1
7	<b>01-1165-19-U</b>	<b>O-RING,216,SEAL,BUNA C</b>	1
	<i>01-1165-19-E</i>	<i>O-RING,216,SEAL,EPDM C</i>	1
	<i>01-1165-19-V</i>	<i>O-RING,216,SEAL,VITON C</i>	1
8	<b>216D-80-3P</b>	<b>CUP,D,216/316,+216/316/4329 C C+</b>	1
9	<b>216D-80-4</b>	<b>SPRING,D,216/316/+2116 C C+ DB</b>	1
10	<b>SP216D-23P-S</b>	<b>COLLAR,D,+216/+2116DRIVE C+ DB</b>	1
11	<b>SC1105A-SS</b>	<b>SCREW,SET,DRV COLLR,1/4-20X3/8 -SS</b>	2
12	<b>216D-24B-316L</b>	<b>RETAINER,IMPLR</b>	1
16	<b>CS216E21T-06</b>	<b>STUBSHAFT,210TC,UNIVRSL C216</b>	1
17	<b>S216-75AR-S</b>	<b>CLAMP,216,CASING C C+</b>	1
18	<b>SX18000015</b>	<b>COLLAR,210TC,SHAFT LC</b>	1
19	<b>216E21T-71D-SS</b>	<b>ADAPTER,210TC FRAME,SS C216/C+216</b>	1
20	<b>C216-21T-131B-S</b>	<b>GUARD,SEAL,216/316/+2116,SS C C+ 210TC</b>	1
21	<b>GX5079600</b>	<b>CAPSCRW,HX,1/4-20X1/2,18-8SS HX HD</b>	1
22	<b>SC1710H-SS</b>	<b>CAPSCRW,HX,1/2-13X1,18-8SS HX HD</b>	4

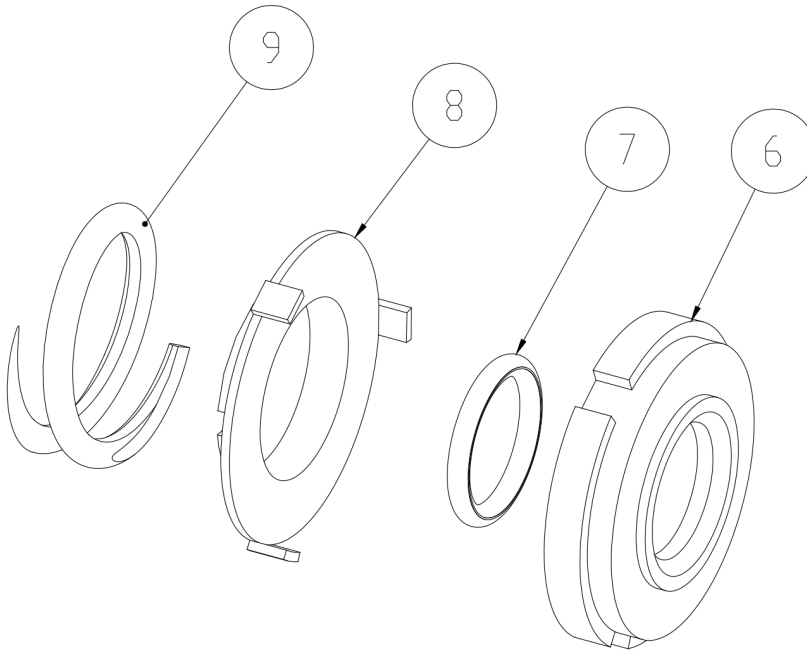


3	Casing Gasket
6	Seal Carbon
7	Seal O-Ring
12	Impeller Pin

**Seal Kit #1**

*Optional Items Shown in ITALICS*

Ref #	Component Item No.	Description	Qty Per
1	<b>KIT#1-C216-B</b>	<b>KIT,#1,216,SEAL,BUNA C</b>	<b>1</b>
	<i>KIT#1-C216-E</i>	<i>KIT,#1,SEAL,216,EPDM C</i>	<i>1</i>
	<i>KIT#1-C216-S</i>	<i>KIT,#1,SEAL,216,SFY,VIT C</i>	<i>1</i>

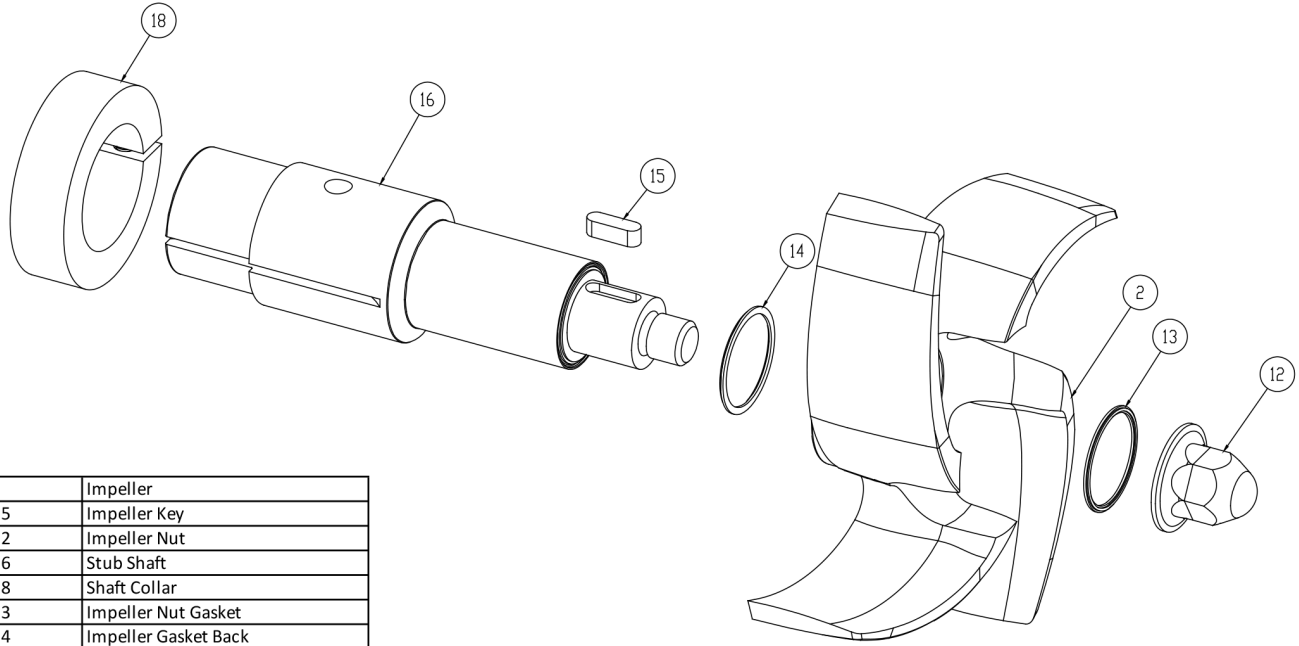


6	Seal Carbon
7	Seal O-Ring
8	Cup D Seal
9	Spring D Seal

**Seal Kit #3**

*Optional Items Shown in ITALICS*

Ref #	Component Item No.	Description	Qty Per
1	<b>KIT#3-C216-B</b>	<b>KIT,#3,216,SEAL,BUNA C</b>	<b>1</b>
	<i>KIT#3-C216-E</i>	<i>KIT,#3,SEAL,216,EPDM C</i>	<i>1</i>
	<i>KIT#3-C216-S</i>	<i>KIT,#3,SEAL,216,SFY,VIT C</i>	<i>1</i>

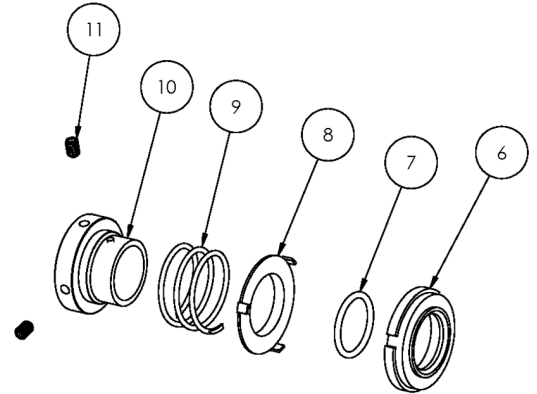
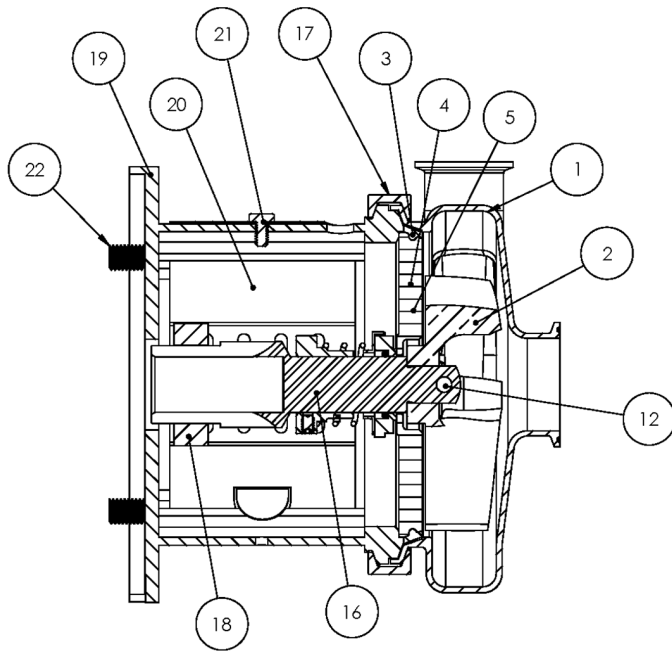


2	Impeller
15	Impeller Key
12	Impeller Nut
16	Stub Shaft
18	Shaft Collar
13	Impeller Nut Gasket
14	Impeller Gasket Back

**AC+ Conversion Kit**

*Optional Items Shown in ITALICS*

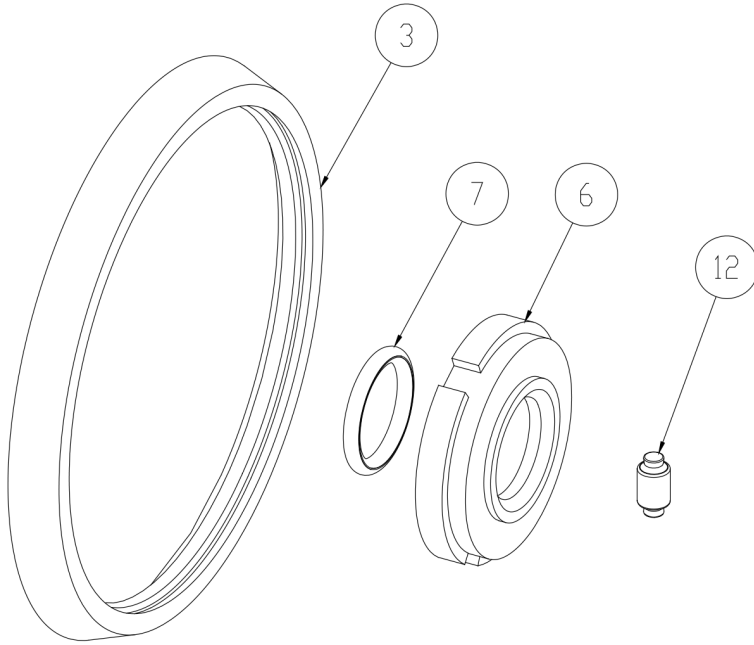
Ref #	Component Item No.	Description	Qty Per
1	<b>C+KIT-216/21</b>	<b>KIT,216,210TC,C+CONVRT,BUNA C</b>	<b>1</b>
	<i>C+KIT-216/21-E</i>	<i>KIT,216,210TC,C+CONVRT,EPDM C</i>	<i>1</i>
	<i>C+KIT-216/21-V</i>	<i>KIT,216,210TC,C+CONVRT,VIT C</i>	<i>1</i>



**Exploded View**

*Optional Items Shown in ITALICS*

Ref #	Component Item No.	Description	Qty Per
1	<b>S316M-01C-E</b>	<b>CASING,2-1/2X1-1/2,TRI-CLMP C316/C+316</b>	1
	<i>S316T-01C-E</i>	<i>CASING,2-1/2X1-1/2,BVL SEAT C316/C+316</i>	1
	<i>S316MI-01C-E</i>	<i>CASING,2-1/2X1-1/2,CLMP GLASS C316/C+316</i>	1
	<i>S316S-01C-E</i>	<i>CASING,2-1/2X1-1/2,NPT C316/C+316</i>	1
	<i>S316F-01D-E</i>	<i>CASING,2-1/2X1-1/2,FLNGD C316/C+316</i>	1
2	<b>S216-02C-316L</b>	<b>IMPELLER,216/316 C UNIVERSAL</b>	1
3	<b>S216-90A-U</b>	<b>GASKET,216,CASING,BUNA C C+</b>	1
	<i>S216-90A-E</i>	<i>GASKET,216,CASING,EPDM C C+</i>	1
	<i>S216-90A-V</i>	<i>GASKET,216,CASING,VIT C C+</i>	1
4	<b>216D-11-316</b>	<b>BACKPLATE,D,216 C C+</b>	1
5	<b>216D-11-1-S</b>	<b>PIN,BACKPLT,114/216/328 C C+</b>	2
6	<b>216E-80-1A</b>	<b>SEAL,216/316,+2116,CARBON +2116 C C+</b>	1
7	<b>01-1165-19-U</b>	<b>O-RING,216,SEAL,BUNA C</b>	1
	<i>01-1165-19-E</i>	<i>O-RING,216,SEAL,EPDM C</i>	1
	<i>01-1165-19-V</i>	<i>O-RING,216,SEAL,VITON C</i>	1
8	<b>216D-80-3P</b>	<b>CUP,D,216/316,+216/316/4329 C C+</b>	1
9	<b>216D-80-4</b>	<b>SPRING,D,216/316/+2116 C C+ DB</b>	1
10	<b>SP216D-23P-S</b>	<b>COLLAR,D,+216/+2116DRIVE C+ DB</b>	1
11	<b>SC1105A-SS</b>	<b>SCREW,SET,DRV COLLR,1/4-20X3/8 -SS</b>	2
12	<b>216D-24B-316L</b>	<b>RETAINER,IMPLR</b>	1
16	<b>CS216E25T-06</b>	<b>STUBSHAFT,250TC,UNIVRSL C216</b>	1
17	<b>S216-75AR-S</b>	<b>CLAMP,216,CASING C C+</b>	1
18	<b>SX18000016</b>	<b>COLLAR,250TC/280TSC,SHAFT LC</b>	1
19	<b>216E25T-71D-SS</b>	<b>ADAPTER,250TC FRAME,SS C216/C+216</b>	1
20	<b>C216-21T-131B-S</b>	<b>GUARD,SEAL,216/316/+2116,SS C C+ 210TC</b>	1
21	<b>GX5079600</b>	<b>CAPSCRW,HX,1/4-20X1/2,18-8SS HX HD</b>	1
22	<b>SC1710H-SS</b>	<b>CAPSCRW,HX,1/2-13X1,18-8SS HX HD</b>	4

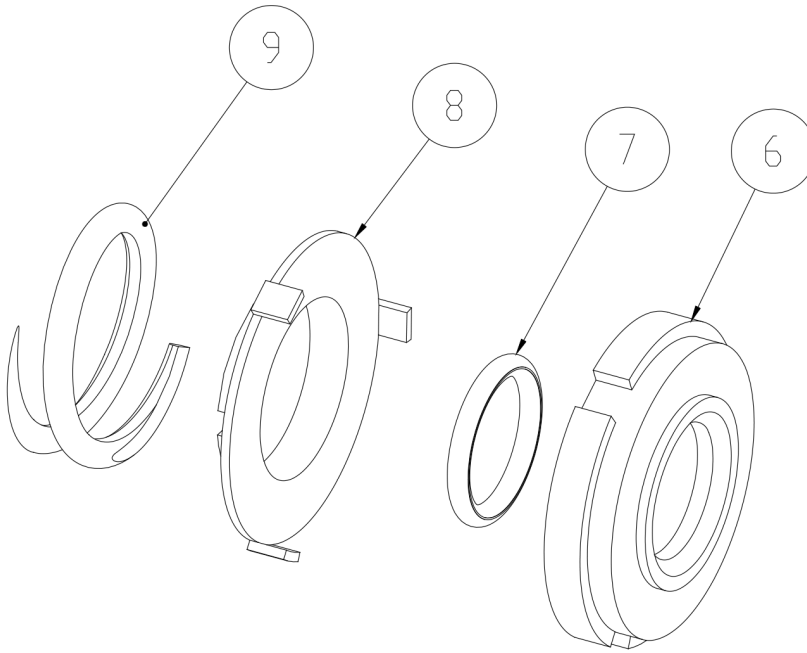


3	Casing Gasket
6	Seal Carbon
7	Seal O-Ring
12	Impeller Pin

**Seal Kit #1**

*Optional Items Shown in ITALICS*

Ref #	Component Item No.	Description	Qty Per
1	<b>KIT#1-C216-B</b>	<b>KIT,#1,216,SEAL,BUNA C</b>	<b>1</b>
	<i>KIT#1-C216-E</i>	<i>KIT,#1,SEAL,216,EPDM C</i>	<i>1</i>
	<i>KIT#1-C216-S</i>	<i>KIT,#1,SEAL,216,SFY,VIT C</i>	<i>1</i>

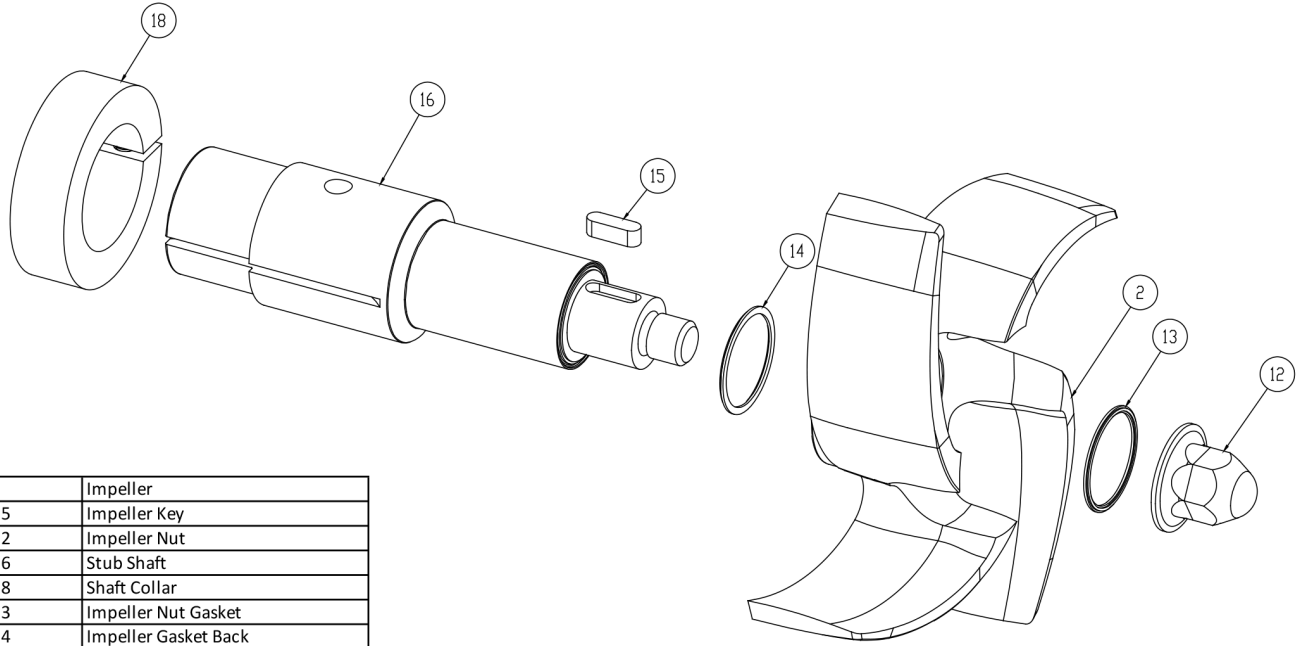


6	Seal Carbon
7	Seal O-Ring
8	Cup D Seal
9	Spring D Seal

**Seal Kit #3**

*Optional Items Shown in ITALICS*

Ref #	Component Item No.	Description	Qty Per
1	<b>KIT#3-C216-B</b>	<b>KIT,#3,216,SEAL,BUNA C</b>	<b>1</b>
	<i>KIT#3-C216-E</i>	<i>KIT,#3,SEAL,216,EPDM C</i>	<i>1</i>
	<i>KIT#3-C216-S</i>	<i>KIT,#3,SEAL,216,SFY,VIT C</i>	<i>1</i>



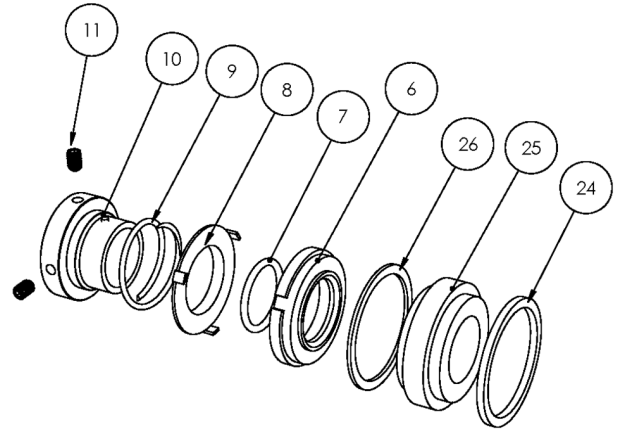
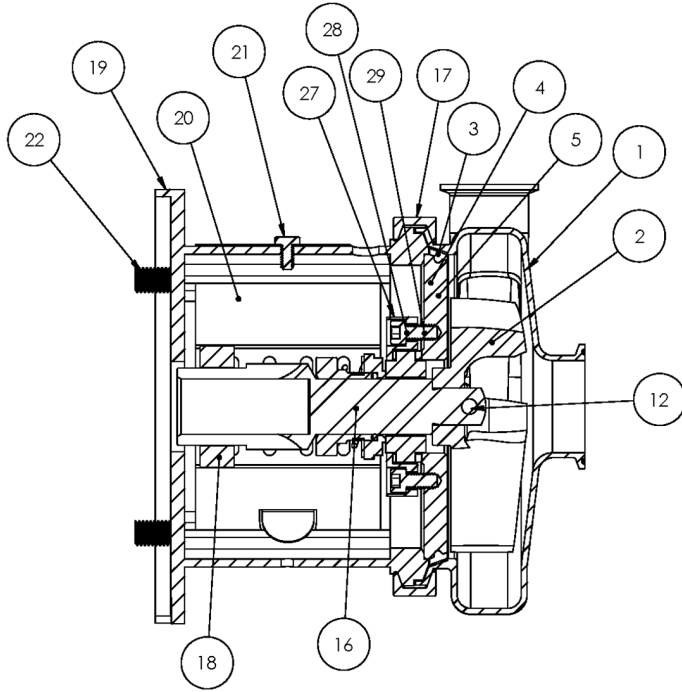
2	Impeller
15	Impeller Key
12	Impeller Nut
16	Stub Shaft
18	Shaft Collar
13	Impeller Nut Gasket
14	Impeller Gasket Back

**AC+ Conversion Kit**

*Optional Items Shown in ITALICS*

Ref #	Component Item No.	Description	Qty Per
1	<b>C+KIT-216/25</b>	<b>KIT,216,250TC,C+CONVRT,BUNA C</b>	<b>1</b>
	<i>C+KIT-216/25-E</i>	<i>KIT,216,250TC,C+CONVRT,EPDM C</i>	<i>1</i>
	<i>C+KIT-216/25-V</i>	<i>KIT,216,250TC,C+CONVRT,VIT C</i>	<i>1</i>

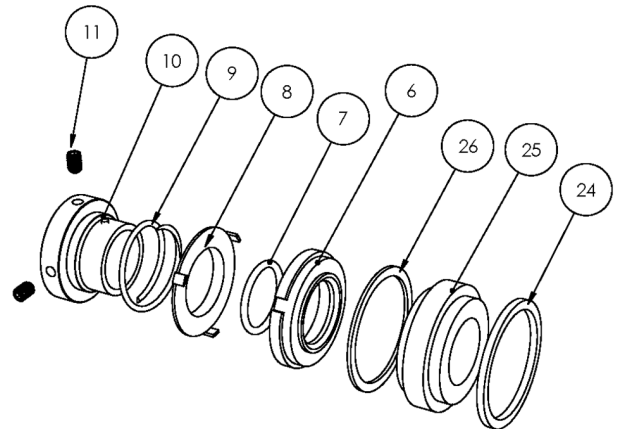
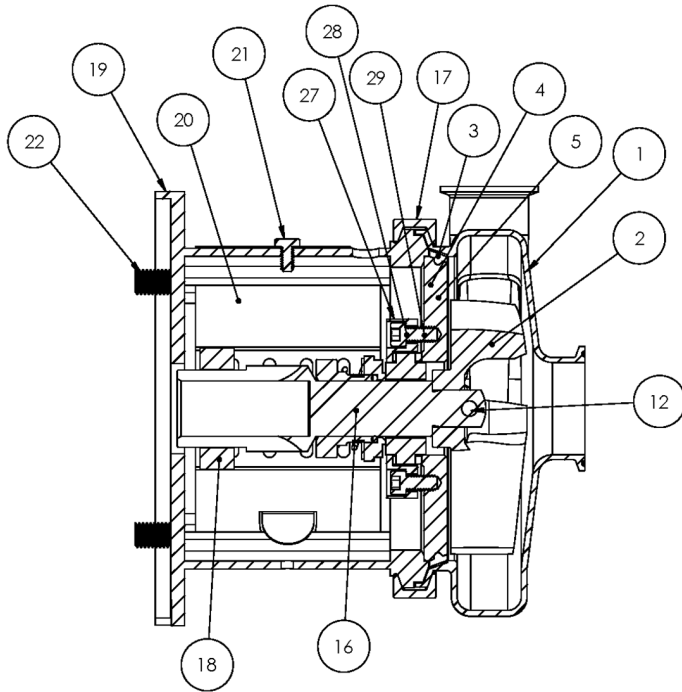




**Exploded View**

*Optional Items Shown in ITALICS*

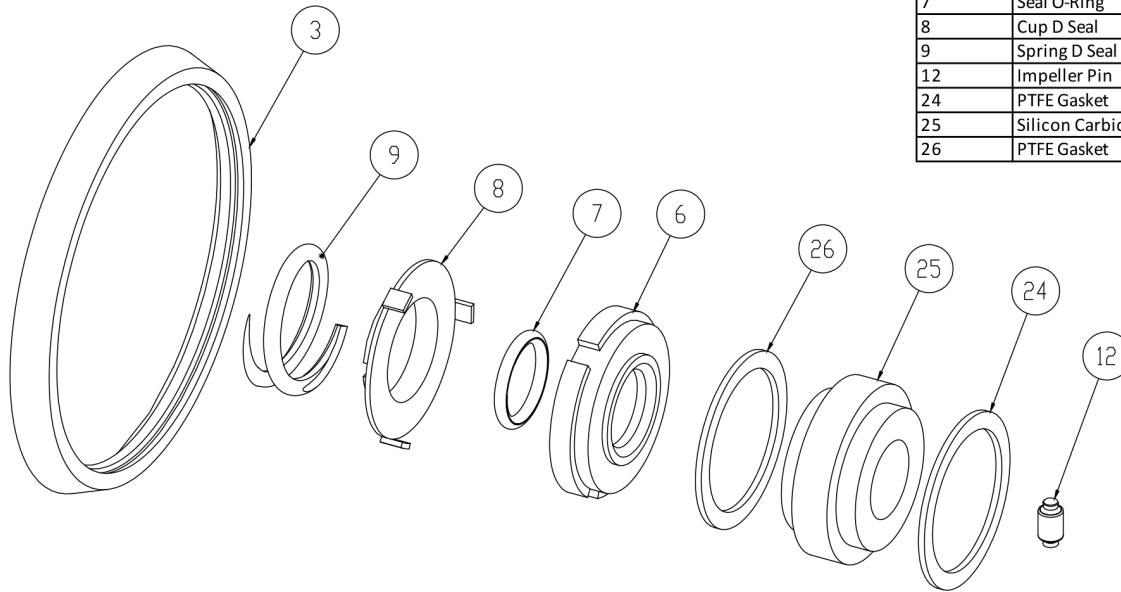
Ref #	Component Item No.	Description	Qty Per
1	<b>S316M-01C-E</b>	<b>CASING,2-1/2X1-1/2,TRI-CLMP C316/C+316</b>	1
	<i>S316T-01C-E</i>	<i>CASING,2-1/2X1-1/2,BVL SEAT C316/C+316</i>	1
	<i>S316MI-01C-E</i>	<i>CASING,2-1/2X1-1/2,CLMP GLASS C316/C+316</i>	1
	<i>S316S-01C-E</i>	<i>CASING,2-1/2X1-1/2,NPT C316/C+316</i>	1
	<i>S316F-01D-E</i>	<i>CASING,2-1/2X1-1/2,FLNGD C316/C+316</i>	1
2	<b>S216-02C-316L</b>	<b>IMPELLER,216/316 C UNIVERSAL</b>	1
3	<b>S216-90A-U</b>	<b>GASKET,216,CASING,BUNA C C+</b>	1
	<i>S216-90A-E</i>	<i>GASKET,216,CASING,EPDM C C+</i>	1
	<i>S216-90A-V</i>	<i>GASKET,216,CASING,VIT C C+</i>	1
4	<b>SP216G-11-316L</b>	<b>BACKPLATE,DG,216 C C+</b>	1
5	<b>216D-11-1-S</b>	<b>PIN,BACKPLT,114/216/328 C C+</b>	2
6	<b>216E-80-1A</b>	<b>SEAL,216/316,+2116,CARBON +2116 C C+</b>	1
	<i>216E-80-1SC</i>	<i>SEAL,216,RTRY,SILC CARB C C+</i>	1
7	<b>01-1165-19-U</b>	<b>O-RING,216,SEAL,BUNA C</b>	1
	<i>01-1165-19-E</i>	<i>O-RING,216,SEAL,EPDM C</i>	1
	<i>01-1165-19-V</i>	<i>O-RING,216,SEAL,VITON C</i>	1
8	<b>216D-80-3P</b>	<b>CUP,D,216/316,+216/316/4329 C C+</b>	1
9	<b>216D-80-4</b>	<b>SPRING,D,216/316/+2116 C C+ DB</b>	1
10	<b>SP216D-23P-S</b>	<b>COLLAR,D,+216/+2116DRIVE C+ DB</b>	1
11	<b>SC1105A-SS</b>	<b>SCREW,SET,DRV COLLR,1/4-20X3/8 -SS</b>	2
12	<b>216D-24B-316L</b>	<b>RETAINER,IMPLR</b>	1
16	<b>CS216E56T-06</b>	<b>STUBSHAFT,56C,UNIVRSL C216</b>	1
17	<b>S216-75AR-S</b>	<b>CLAMP,216,CASING C C+</b>	1
18	<b>SX18000013</b>	<b>COLLAR,56C/140TC,SHAFT L SEE ITEM NOTES</b>	1
19	<b>216D56T-71C-SS</b>	<b>ADAPTER,56C-140TC,SS C216/C+216</b>	1
20	<b>C216-56T-131-S</b>	<b>GUARD,SEAL,216/316,SS C C+ CB+ IC+ 56C-140TC</b>	1
21	<b>GX5079600</b>	<b>CAPSCRW,HX,1/4-20X1/2,18-8SS HX HD</b>	1



**Exploded View**

*Optional Items Shown in ITALICS*

Ref #	Component Item No.	Description	Qty Per
22	GX5077100	CAPSCRW,HX,3/8-16X1,18-8SS HX HD	4
24	SP216G-80-12AG	GASKET,216/316,DG,THK,PTFE C C+	1
25	SP216G-80-11SC	SEAT,216/316,DG,SEAL,SILC CARB C C+	1
	<i>SP216G-80-11TC</i>	<i>SEAT,216,DG,SEAL,TUNG CARB C C+</i>	1
	<i>SP216G-80-11CER</i>	<i>SEAT,216,DG,SEAL,CERAMIC C C+</i>	1
26	SP216G-80-12G	GASKET,216/316,DG,THN,PTFE C C+	1
27	SP216G-17-316L	RING,216,GLAND,DG C C+	1
28	GX5076004	CAPSCRW,HX,5/16-18X1,8-8SS HX HD	4
29	LWA-1300-SS	WASHER,LOCK,5/16,18-8SS	4

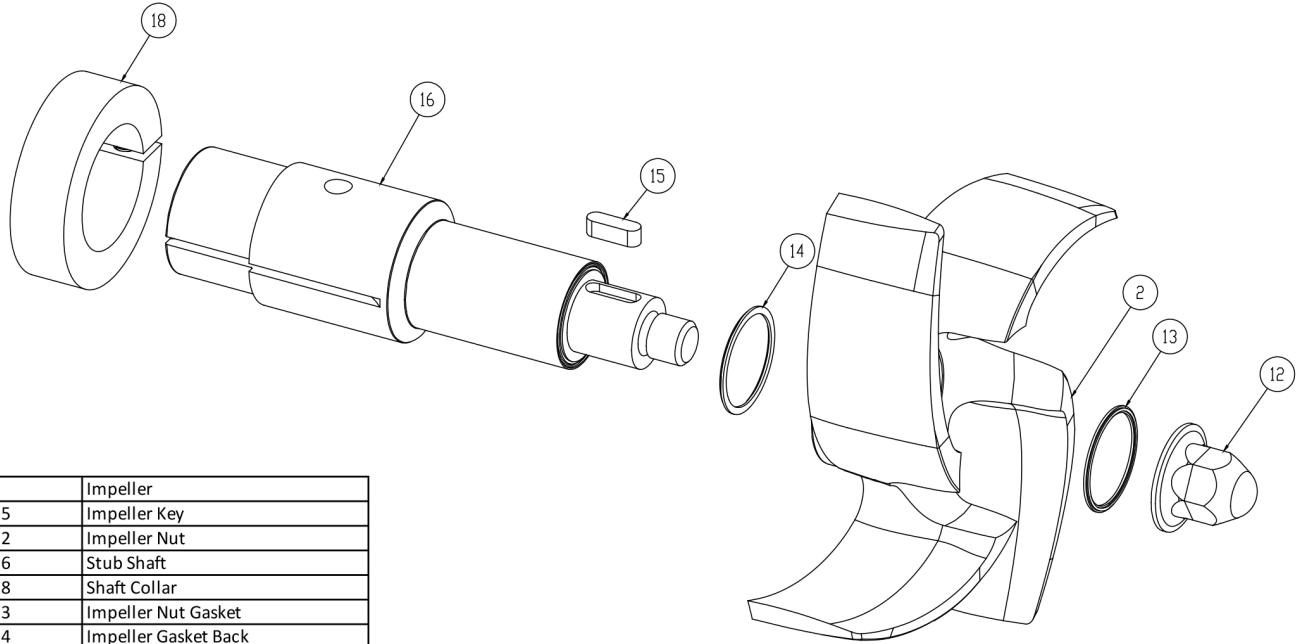


3	Casing Gasket
6	Seal Carbon
7	Seal O-Ring
8	Cup D Seal
9	Spring D Seal
12	Impeller Pin
24	PTFE Gasket
25	Silicon Carbide Seat
26	PTFE Gasket

**Seal Kit DG**

*Optional Items Shown in ITALICS*

Ref #	Component Item No.	Description	Qty Per
1	<b>KITDG-C216-B</b>	<b>KIT,216,DG,SEAL,BUNA C</b>	<b>1</b>
	<i>KITDG-C216-E</i>	<i>KIT,216,DG SEAL,SC,EPDM C</i>	<i>1</i>
	<i>KITDG-C216-S</i>	<i>KIT,216,DG,SEAL,VIT C</i>	<i>1</i>

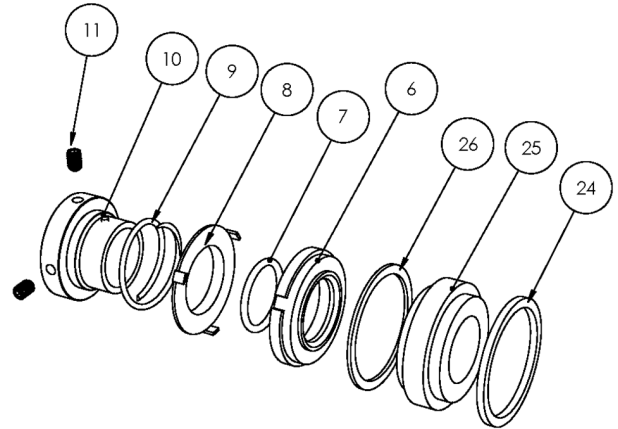
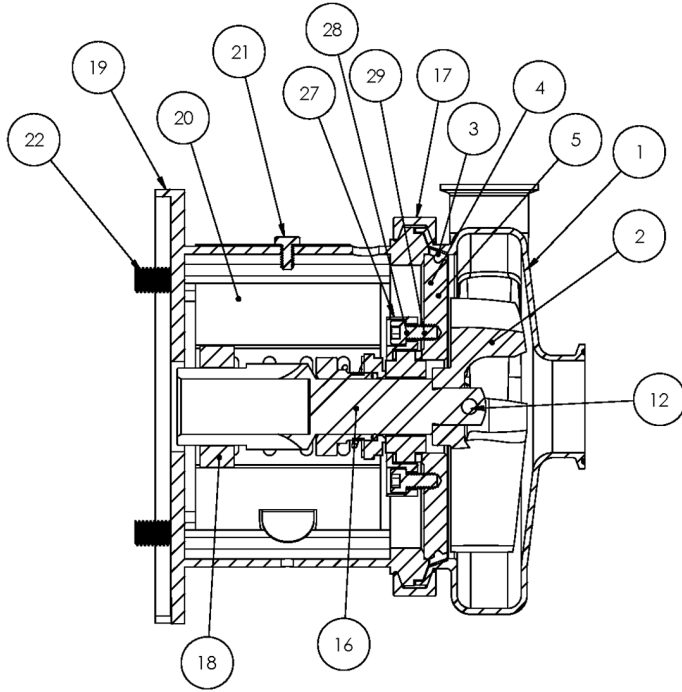


2	Impeller
15	Impeller Key
12	Impeller Nut
16	Stub Shaft
18	Shaft Collar
13	Impeller Nut Gasket
14	Impeller Gasket Back

**AC+ Conversion Kit**

*Optional Items Shown in ITALICS*

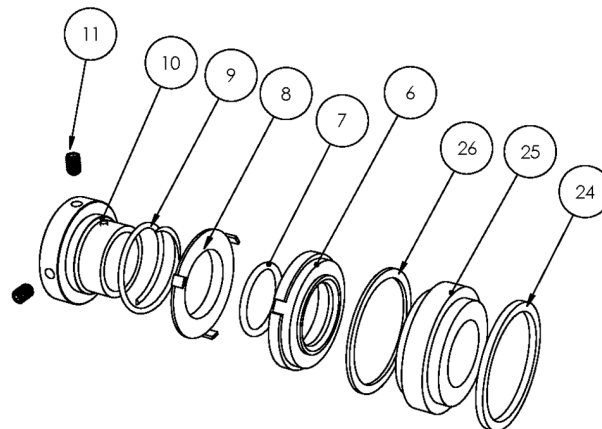
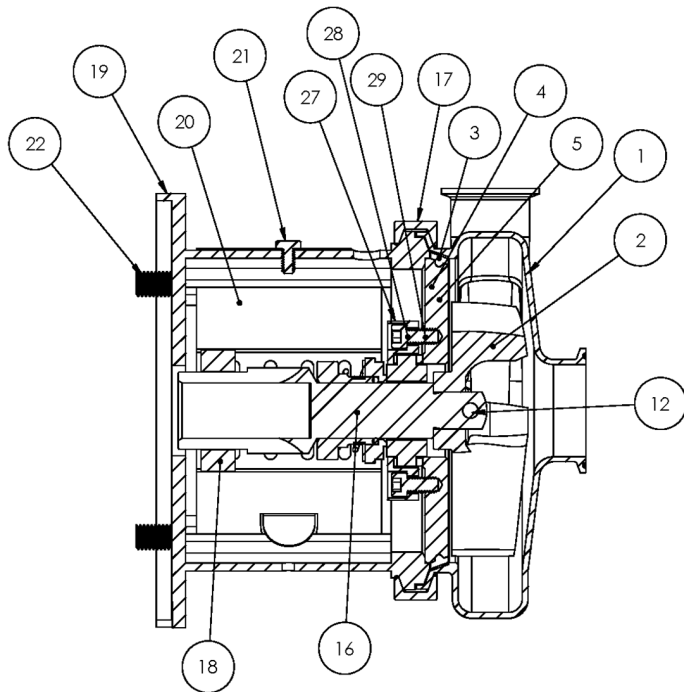
Ref #	Component Item No.	Description	Qty Per
1	<b>C+KIT-216/56</b>	<b>KIT,216,56TC,C+CONVRT,BUNA C</b>	<b>1</b>
	<i>C+KIT-216/56-E</i>	<i>KIT,216,56TC,C+CONVRT,EPDM C</i>	<i>1</i>
	<i>C+KIT-216/56-V</i>	<i>KIT,216,56TC,C+CONVRT,VIT CL VI C</i>	<i>1</i>



**Exploded View**

*Optional Items Shown in ITALICS*

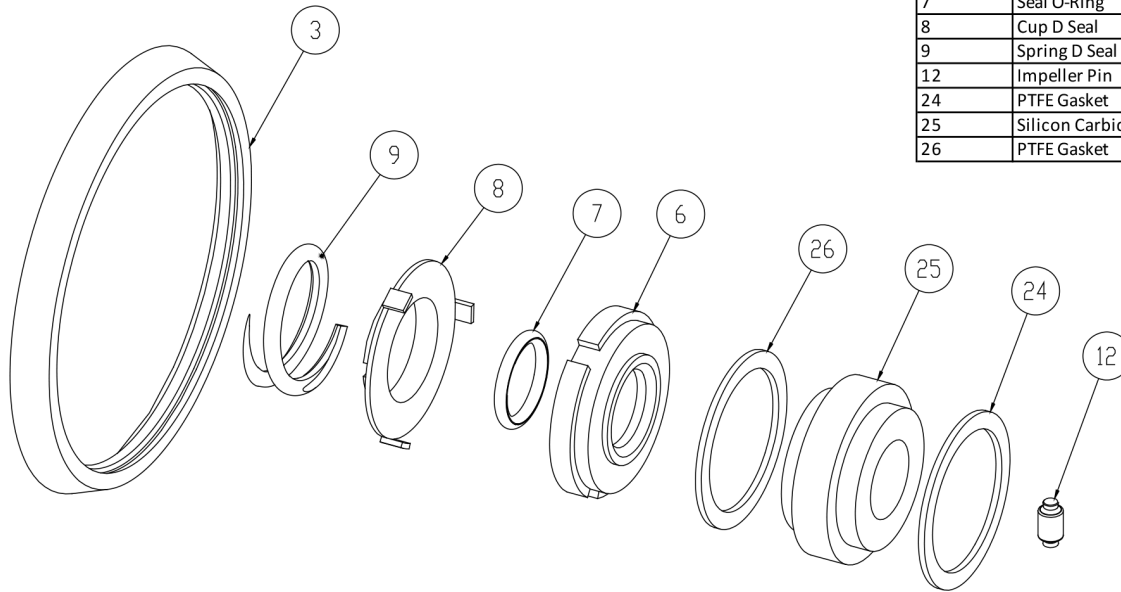
Ref #	Component Item No.	Description	Qty Per
1	<b>S316M-01C-E</b>	<b>CASING,2-1/2X1-1/2,TRI-CLMP C316/C+316</b>	1
	<i>S316T-01C-E</i>	<i>CASING,2-1/2X1-1/2,BVL SEAT C316/C+316</i>	1
	<i>S316MI-01C-E</i>	<i>CASING,2-1/2X1-1/2,CLMP GLASS C316/C+316</i>	1
	<i>S316S-01C-E</i>	<i>CASING,2-1/2X1-1/2,NPT C316/C+316</i>	1
	<i>S316F-01D-E</i>	<i>CASING,2-1/2X1-1/2,FLNGD C316/C+316</i>	1
2	<b>S216-02C-316L</b>	<b>IMPELLER,216/316 C UNIVERSAL</b>	1
3	<b>S216-90A-U</b>	<b>GASKET,216,CASING,BUNA C C+</b>	1
	<i>S216-90A-E</i>	<i>GASKET,216,CASING,EPDM C C+</i>	1
	<i>S216-90A-V</i>	<i>GASKET,216,CASING,VIT C C+</i>	1
4	<b>SP216G-11-316L</b>	<b>BACKPLATE,DG,216 C C+</b>	1
5	<b>216D-11-1-S</b>	<b>PIN,BACKPLT,114/216/328 C C+</b>	2
6	<b>216E-80-1A</b>	<b>SEAL,216/316,+2116,CARBON +2116 C C+</b>	1
	<i>216E-80-1SC</i>	<i>SEAL,216,RTRY,SILC CARB C C+</i>	1
7	<b>01-1165-19-U</b>	<b>O-RING,216,SEAL,BUNA C</b>	1
	<i>01-1165-19-E</i>	<i>O-RING,216,SEAL,EPDM C</i>	1
	<i>01-1165-19-V</i>	<i>O-RING,216,SEAL,VITON C</i>	1
8	<b>216D-80-3P</b>	<b>CUP,D,216/316,+216/316/4329 C C+</b>	1
9	<b>216D-80-4</b>	<b>SPRING,D,216/316/+2116 C C+ DB</b>	1
10	<b>SP216D-23P-S</b>	<b>COLLAR,D,+216/+2116DRIVE C+ DB</b>	1
11	<b>SC1105A-SS</b>	<b>SCREW,SET,DRV COLLR,1/4-20X3/8 -SS</b>	2
12	<b>216D-24B-316L</b>	<b>RETAINER,IMPLR</b>	1
16	<b>CS216E14T-06</b>	<b>STUBSHAFT,140TC,UNIVRSL C216</b>	1
17	<b>S216-75AR-S</b>	<b>CLAMP,216,CASING C C+</b>	1
18	<b>SX18000013</b>	<b>COLLAR,56C/140TC,SHAFT L SEE ITEM NOTES</b>	1
19	<b>216D56T-71C-SS</b>	<b>ADAPTER,56C-140TC,SS C216/C+216</b>	1
20	<b>C216-56T-131-S</b>	<b>GUARD,SEAL,216/316,SS C C+ CB+ IC+ 56C-140TC</b>	1
21	<b>GX5079600</b>	<b>CAPSCRW,HX,1/4-20X1/2,18-8SS HX HD</b>	1



**Exploded View**

*Optional Items Shown in ITALICS*

Ref #	Component Item No.	Description	Qty Per
22	GX5077100	CAPSCRW,HX,3/8-16X1,18-8SS HX HD	4
24	SP216G-80-12AG	GASKET,216/316,DG,THK,PTFE C C+	1
25	SP216G-80-11SC	SEAT,216/316,DG,SEAL,SILC CARB C C+	1
	<i>SP216G-80-11TC</i>	<i>SEAT,216,DG,SEAL,TUNG CARB C C+</i>	1
	<i>SP216G-80-11CER</i>	<i>SEAT,216,DG,SEAL,CERAMIC C C+</i>	1
26	SP216G-80-12G	GASKET,216/316,DG,THN,PTFE C C+	1
27	SP216G-17-316L	RING,216,GLAND,DG C C+	1
28	GX5076004	CAPSCRW,HX,5/16-18X1,8-8SS HX HD	4
29	LWA-1300-SS	WASHER,LOCK,5/16,18-8SS	4

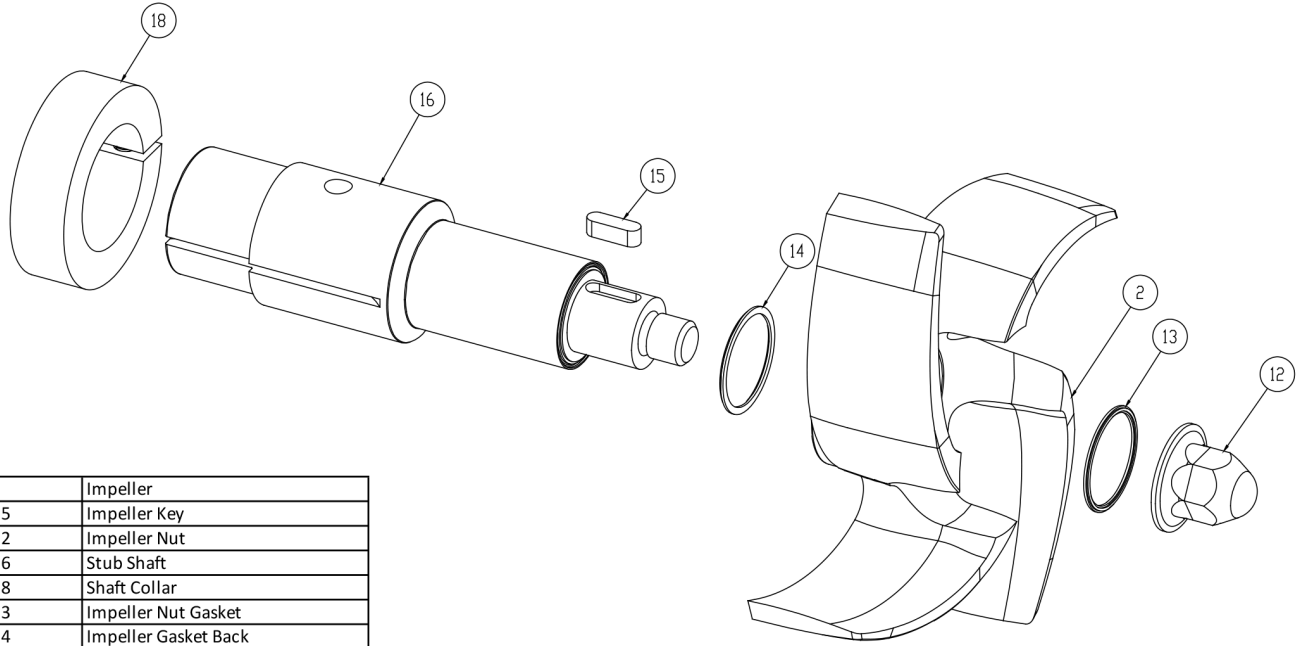


3	Casing Gasket
6	Seal Carbon
7	Seal O-Ring
8	Cup D Seal
9	Spring D Seal
12	Impeller Pin
24	PTFE Gasket
25	Silicon Carbide Seat
26	PTFE Gasket

**Seal Kit DG**

*Optional Items Shown in ITALICS*

Ref #	Component Item No.	Description	Qty Per
1	<b>KITDG-C216-B</b>	<b>KIT,216,DG,SEAL,BUNA C</b>	<b>1</b>
	<i>KITDG-C216-E</i>	<i>KIT,216,DG SEAL,SC,EPDM C</i>	<i>1</i>
	<i>KITDG-C216-S</i>	<i>KIT,216,DG,SEAL,VIT C</i>	<i>1</i>



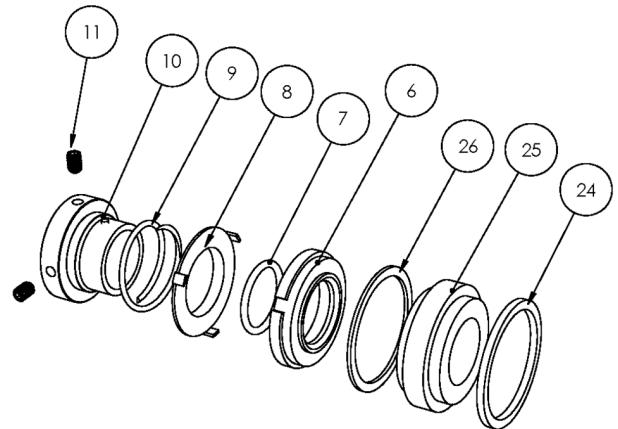
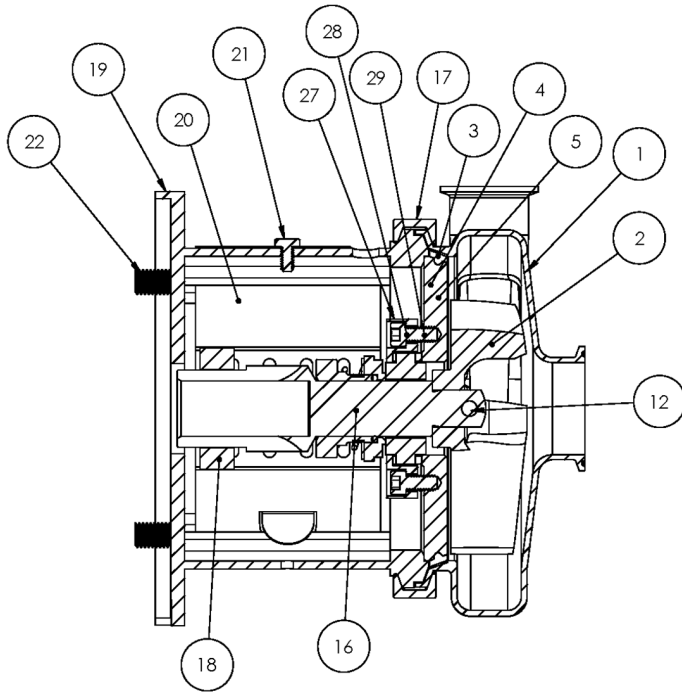
2	Impeller
15	Impeller Key
12	Impeller Nut
16	Stub Shaft
18	Shaft Collar
13	Impeller Nut Gasket
14	Impeller Gasket Back

**AC+ Conversion Kit**

*Optional Items Shown in ITALICS*

Ref #	Component Item No.	Description	Qty Per
1	<b>C+KIT-216/14</b>	<b>KIT,216,140TC,C+CONVRT,BUNA C</b>	<b>1</b>
	<i>C+KIT-216/14-E</i>	<i>KIT,216,140TC,C+CONVRT,EPDM C</i>	<i>1</i>
	<i>C+KIT-216/14-V</i>	<i>KIT,216,140TC,C+CONVRT,VIT C</i>	<i>1</i>

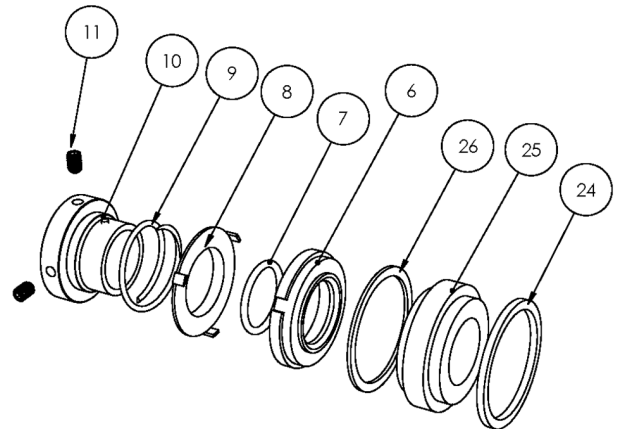
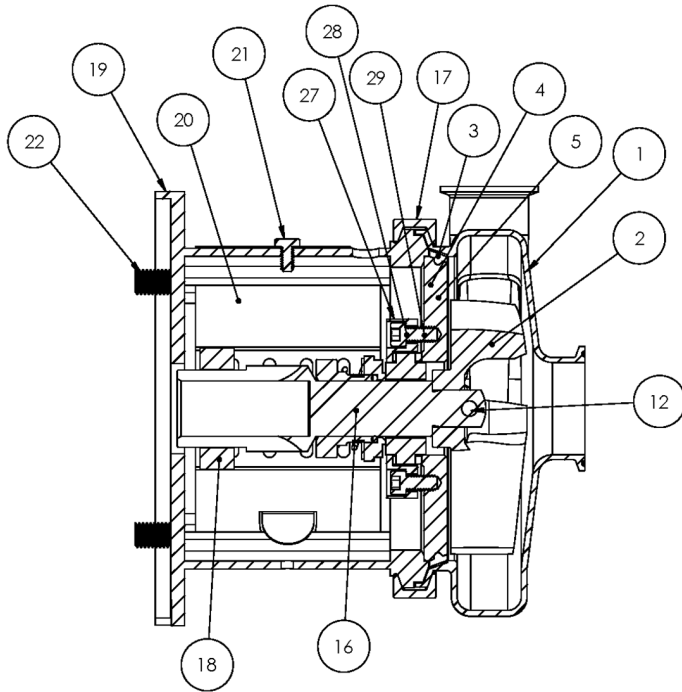




**Exploded View**

*Optional Items Shown in ITALICS*

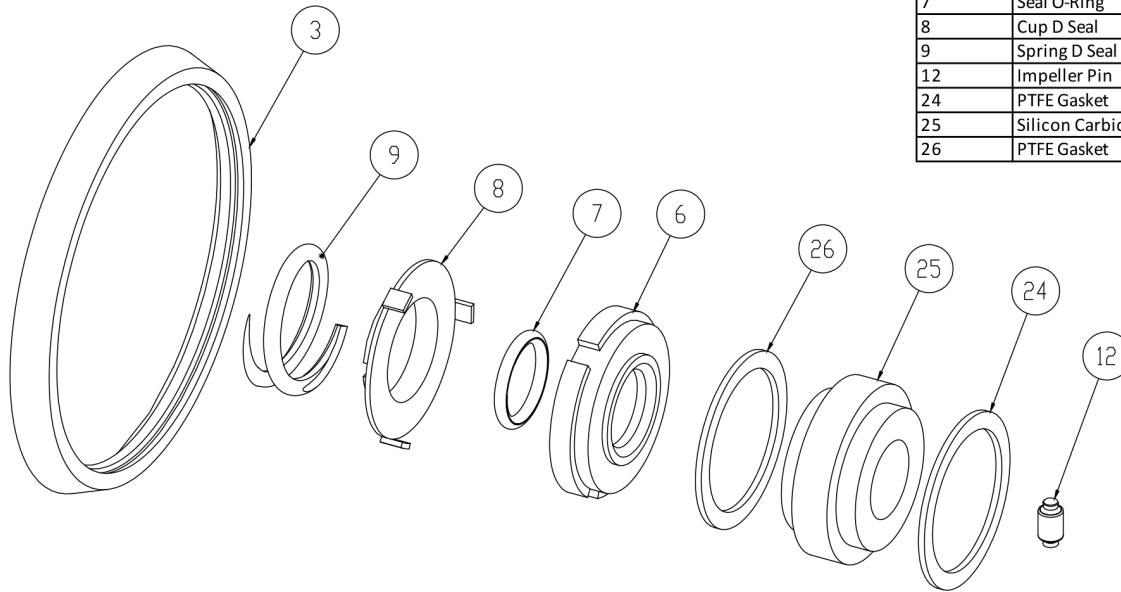
Ref #	Component Item No.	Description	Qty Per
1	<b>S316M-01C-E</b>	<b>CASING,2-1/2X1-1/2,TRI-CLMP C316/C+316</b>	1
	<i>S316T-01C-E</i>	<i>CASING,2-1/2X1-1/2,BVL SEAT C316/C+316</i>	1
	<i>S316MI-01C-E</i>	<i>CASING,2-1/2X1-1/2,CLMP GLASS C316/C+316</i>	1
	<i>S316S-01C-E</i>	<i>CASING,2-1/2X1-1/2,NPT C316/C+316</i>	1
	<i>S316F-01D-E</i>	<i>CASING,2-1/2X1-1/2,FLNGD C316/C+316</i>	1
2	<b>S216-02C-316L</b>	<b>IMPELLER,216/316 C UNIVERSAL</b>	1
3	<b>S216-90A-U</b>	<b>GASKET,216,CASING,BUNA C C+</b>	1
	<i>S216-90A-E</i>	<i>GASKET,216,CASING,EPDM C C+</i>	1
	<i>S216-90A-V</i>	<i>GASKET,216,CASING,VIT C C+</i>	1
4	<b>SP216G-11-316L</b>	<b>BACKPLATE,DG,216 C C+</b>	1
5	<b>216D-11-1-S</b>	<b>PIN,BACKPLT,114/216/328 C C+</b>	2
6	<b>216E-80-1A</b>	<b>SEAL,216/316,+2116,CARBON +2116 C C+</b>	1
	<i>216E-80-1SC</i>	<i>SEAL,216,RTRY,SILC CARB C C+</i>	1
7	<b>01-1165-19-U</b>	<b>O-RING,216,SEAL,BUNA C</b>	1
	<i>01-1165-19-E</i>	<i>O-RING,216,SEAL,EPDM C</i>	1
	<i>01-1165-19-V</i>	<i>O-RING,216,SEAL,VITON C</i>	1
8	<b>216D-80-3P</b>	<b>CUP,D,216/316,+216/316/4329 C C+</b>	1
9	<b>216D-80-4</b>	<b>SPRING,D,216/316/+2116 C C+ DB</b>	1
10	<b>SP216D-23P-S</b>	<b>COLLAR,D,+216/+2116DRIVE C+ DB</b>	1
11	<b>SC1105A-SS</b>	<b>SCREW,SET,DRV COLLR,1/4-20X3/8 -SS</b>	2
12	<b>216D-24B-316L</b>	<b>RETAINER,IMPLR</b>	1
16	<b>CS216E18T-06</b>	<b>STUBSHAFT,180TC,UNIVRSL C216</b>	1
17	<b>S216-75AR-S</b>	<b>CLAMP,216,CASING C C+</b>	1
18	<b>SX18000014</b>	<b>COLLAR,180TC,SHAFT LC</b>	1
19	<b>216D18T-71D-SS</b>	<b>ADAPTER,180TC FRAME SS C216/C+216</b>	1
20	<b>C216-18T-131-S</b>	<b>GUARD,SEAL,216/316,SS C C+ IC+ 180TC</b>	1
21	<b>GX5079600</b>	<b>CAPSCRW,HX,1/4-20X1/2,18-8SS HX HD</b>	1



**Exploded View**

*Optional Items Shown in ITALICS*

Ref #	Component Item No.	Description	Qty Per
22	SC1710H-SS	CAPSCRW,HX,1/2-13X1,18-8SS HX HD	4
24	SP216G-80-12AG	GASKET,216/316,DG,THK,PTFE C C+	1
25	SP216G-80-11SC	SEAT,216/316,DG,SEAL,SILC CARB C C+	1
	<i>SP216G-80-11TC</i>	<i>SEAT,216,DG,SEAL,TUNG CARB C C+</i>	1
	<i>SP216G-80-11CER</i>	<i>SEAT,216,DG,SEAL,CERAMIC C C+</i>	1
26	SP216G-80-12G	GASKET,216/316,DG,THN,PTFE C C+	1
27	SP216G-17-316L	RING,216,GLAND,DG C C+	1
28	GX5076004	CAPSCRW,HX,5/16-18X1,8-8SS HX HD	4
29	LWA-1300-SS	WASHER,LOCK,5/16,18-8SS	4

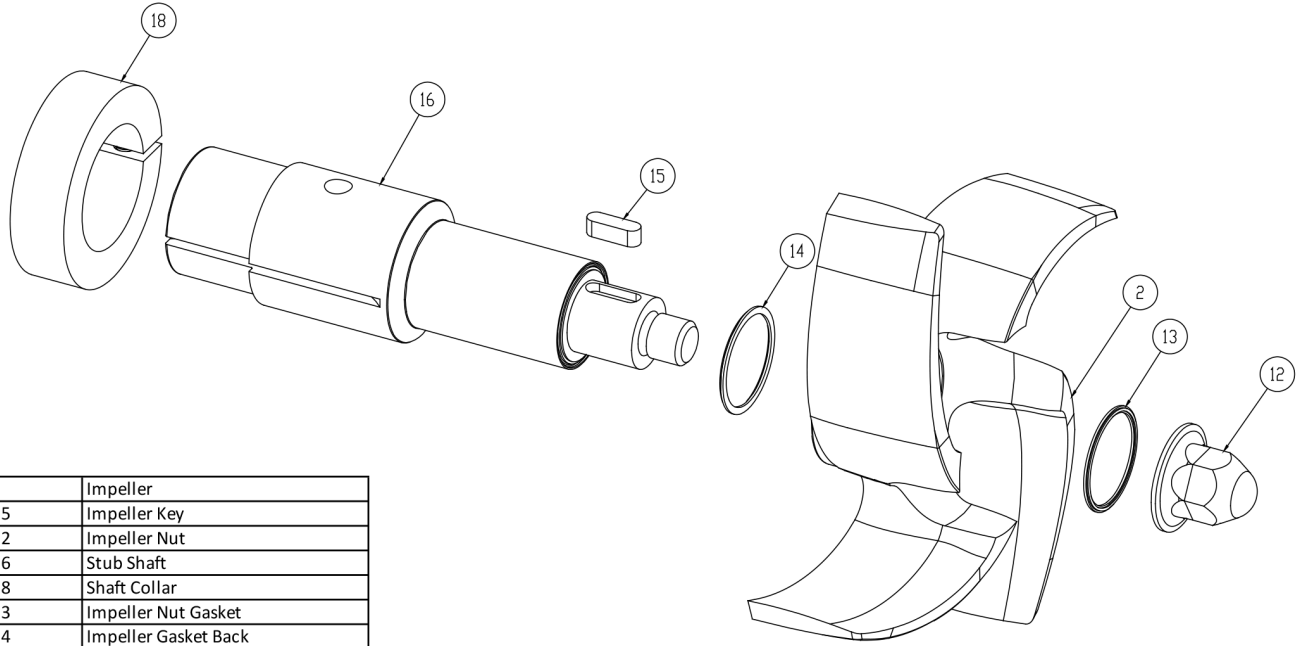


3	Casing Gasket
6	Seal Carbon
7	Seal O-Ring
8	Cup D Seal
9	Spring D Seal
12	Impeller Pin
24	PTFE Gasket
25	Silicon Carbide Seat
26	PTFE Gasket

**Seal Kit DG**

*Optional Items Shown in ITALICS*

Ref #	Component Item No.	Description	Qty Per
1	<b>KITDG-C216-B</b>	<b>KIT,216,DG,SEAL,BUNA C</b>	<b>1</b>
	<i>KITDG-C216-E</i>	<i>KIT,216,DG SEAL,SC,EPDM C</i>	<i>1</i>
	<i>KITDG-C216-S</i>	<i>KIT,216,DG,SEAL,VIT C</i>	<i>1</i>

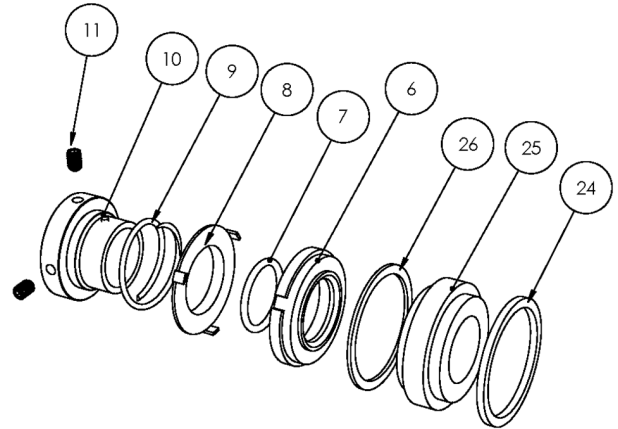
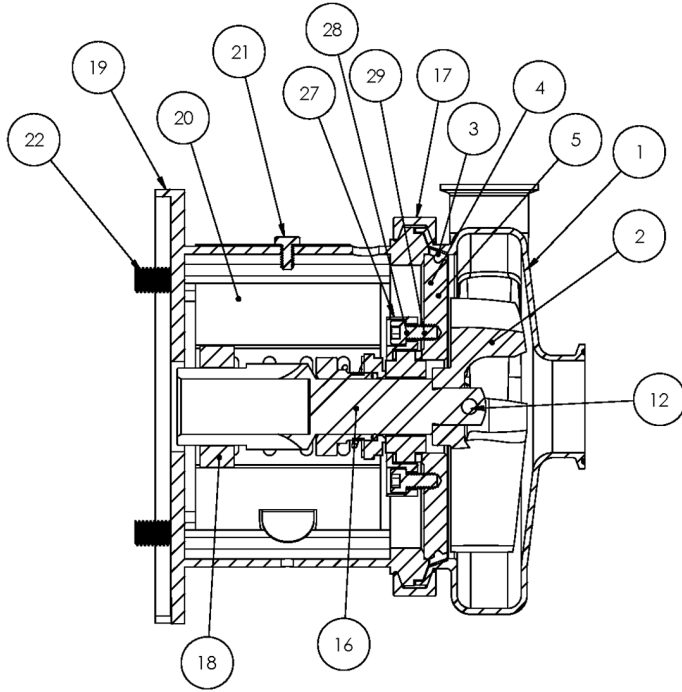


2	Impeller
15	Impeller Key
12	Impeller Nut
16	Stub Shaft
18	Shaft Collar
13	Impeller Nut Gasket
14	Impeller Gasket Back

**AC+ Conversion Kit**

*Optional Items Shown in ITALICS*

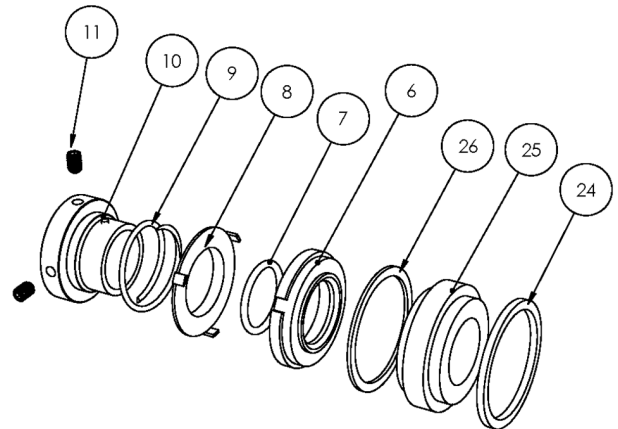
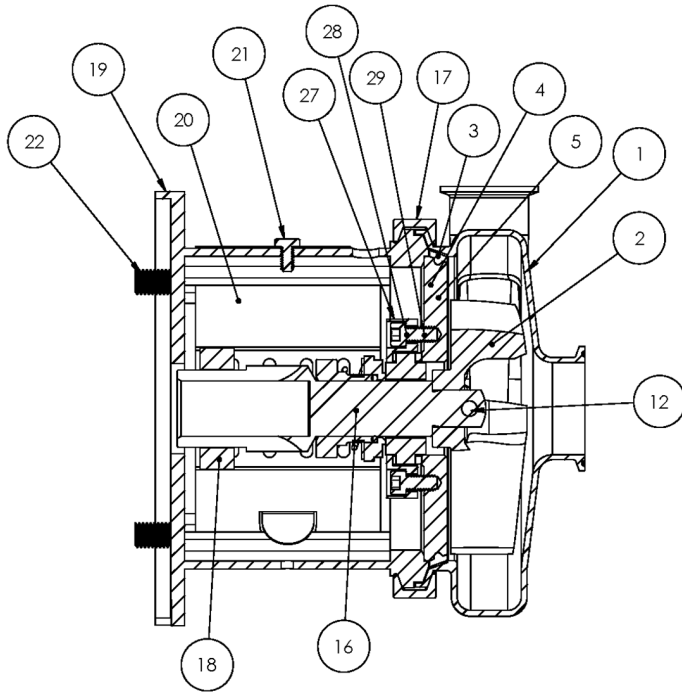
Ref #	Component Item No.	Description	Qty Per
1	<b>C+KIT-216/18</b>	<b>KIT,216,180TC,C+CONVRT,BUNA C</b>	<b>1</b>
	<i>C+KIT-216/18-E</i>	<i>KIT,216,180TC,C+CONVRT,EPDM C</i>	<i>1</i>
	<i>C+KIT-216/18-V</i>	<i>KIT,216,180TC,C+CONVRT,VIT C</i>	<i>1</i>



**Exploded View**

*Optional Items Shown in ITALICS*

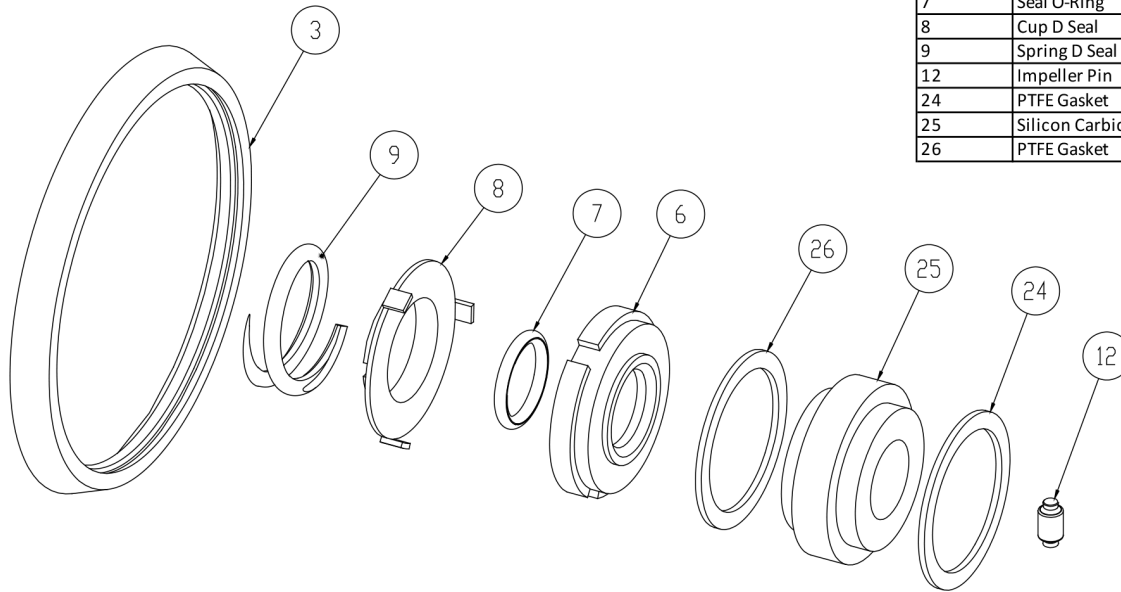
Ref #	Component Item No.	Description	Qty Per
1	<b>S316M-01C-E</b>	<b>CASING,2-1/2X1-1/2,TRI-CLMP C316/C+316</b>	1
	<i>S316T-01C-E</i>	<i>CASING,2-1/2X1-1/2,BVL SEAT C316/C+316</i>	1
	<i>S316MI-01C-E</i>	<i>CASING,2-1/2X1-1/2,CLMP GLASS C316/C+316</i>	1
	<i>S316S-01C-E</i>	<i>CASING,2-1/2X1-1/2,NPT C316/C+316</i>	1
	<i>S316F-01D-E</i>	<i>CASING,2-1/2X1-1/2,FLNGD C316/C+316</i>	1
2	<b>S216-02C-316L</b>	<b>IMPELLER,216/316 C UNIVERSAL</b>	1
3	<b>S216-90A-U</b>	<b>GASKET,216,CASING,BUNA C C+</b>	1
	<i>S216-90A-E</i>	<i>GASKET,216,CASING,EPDM C C+</i>	1
	<i>S216-90A-V</i>	<i>GASKET,216,CASING,VIT C C+</i>	1
4	<b>SP216G-11-316L</b>	<b>BACKPLATE,DG,216 C C+</b>	1
5	<b>216D-11-1-S</b>	<b>PIN,BACKPLT,114/216/328 C C+</b>	2
6	<b>216E-80-1A</b>	<b>SEAL,216/316,+2116,CARBON +2116 C C+</b>	1
	<i>216E-80-1SC</i>	<i>SEAL,216,RTRY,SILC CARB C C+</i>	1
7	<b>01-1165-19-U</b>	<b>O-RING,216,SEAL,BUNA C</b>	1
	<i>01-1165-19-E</i>	<i>O-RING,216,SEAL,EPDM C</i>	1
	<i>01-1165-19-V</i>	<i>O-RING,216,SEAL,VITON C</i>	1
8	<b>216D-80-3P</b>	<b>CUP,D,216/316,+216/316/4329 C C+</b>	1
9	<b>216D-80-4</b>	<b>SPRING,D,216/316/+2116 C C+ DB</b>	1
10	<b>SP216D-23P-S</b>	<b>COLLAR,D,+216/+2116DRIVE C+ DB</b>	1
11	<b>SC1105A-SS</b>	<b>SCREW,SET,DRV COLLR,1/4-20X3/8 -SS</b>	2
12	<b>216D-24B-316L</b>	<b>RETAINER,IMPLR</b>	1
16	<b>CS216E21T-06</b>	<b>STUBSHAFT,210TC,UNIVRSL C216</b>	1
17	<b>S216-75AR-S</b>	<b>CLAMP,216,CASING C C+</b>	1
18	<b>SX18000015</b>	<b>COLLAR,210TC,SHAFT LC</b>	1
19	<b>216E21T-71D-SS</b>	<b>ADAPTER,210TC FRAME,SS C216/C+216</b>	1
20	<b>C216-21T-131B-S</b>	<b>GUARD,SEAL,216/316/+2116,SS C C+ 210TC</b>	1
21	<b>GX5079600</b>	<b>CAPSCRW,HX,1/4-20X1/2,18-8SS HX HD</b>	1



**Exploded View**

*Optional Items Shown in ITALICS*

Ref #	Component Item No.	Description	Qty Per
22	SC1710H-SS	CAPSCRW,HX,1/2-13X1,18-8SS HX HD	4
24	SP216G-80-12AG	GASKET,216/316,DG,THK,PTFE C C+	1
25	SP216G-80-11SC	SEAT,216/316,DG,SEAL,SILC CARB C C+	1
	<i>SP216G-80-11TC</i>	<i>SEAT,216,DG,SEAL,TUNG CARB C C+</i>	1
	<i>SP216G-80-11CER</i>	<i>SEAT,216,DG,SEAL,CERAMIC C C+</i>	1
26	SP216G-80-12G	GASKET,216/316,DG,THN,PTFE C C+	1
27	SP216G-17-316L	RING,216,GLAND,DG C C+	1
28	GX5076004	CAPSCRW,HX,5/16-18X1,8-8SS HX HD	4
29	LWA-1300-SS	WASHER,LOCK,5/16,18-8SS	4

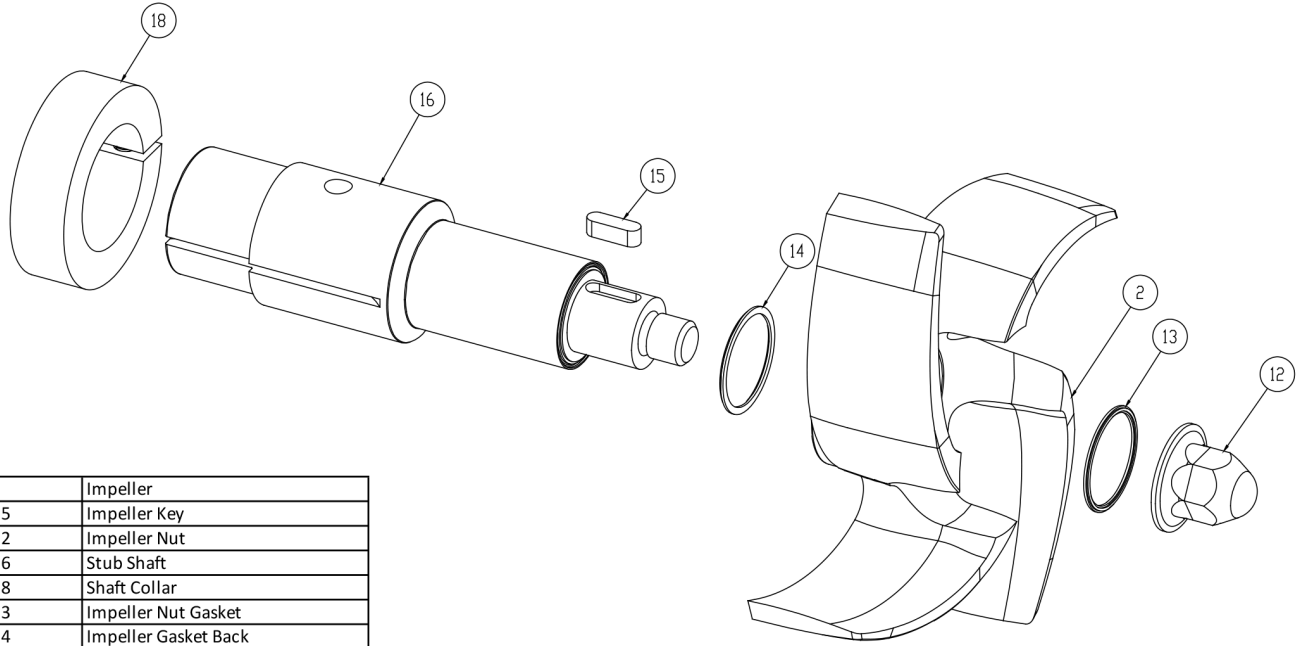


3	Casing Gasket
6	Seal Carbon
7	Seal O-Ring
8	Cup D Seal
9	Spring D Seal
12	Impeller Pin
24	PTFE Gasket
25	Silicon Carbide Seat
26	PTFE Gasket

**Seal Kit DG**

*Optional Items Shown in ITALICS*

Ref #	Component Item No.	Description	Qty Per
1	<b>KITDG-C216-B</b>	<b>KIT,216,DG,SEAL,BUNA C</b>	<b>1</b>
	<i>KITDG-C216-E</i>	<i>KIT,216,DG SEAL,SC,EPDM C</i>	<i>1</i>
	<i>KITDG-C216-S</i>	<i>KIT,216,DG,SEAL,VIT C</i>	<i>1</i>



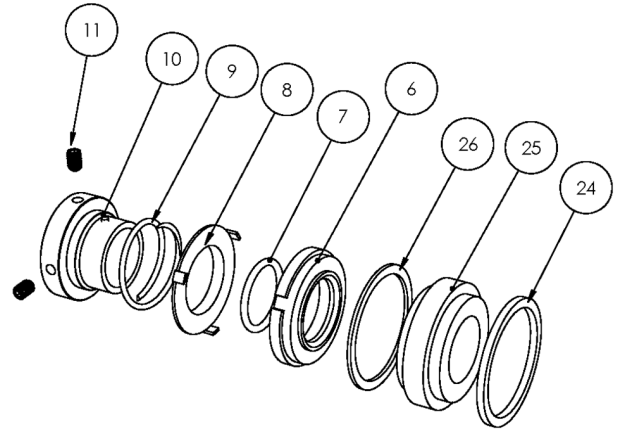
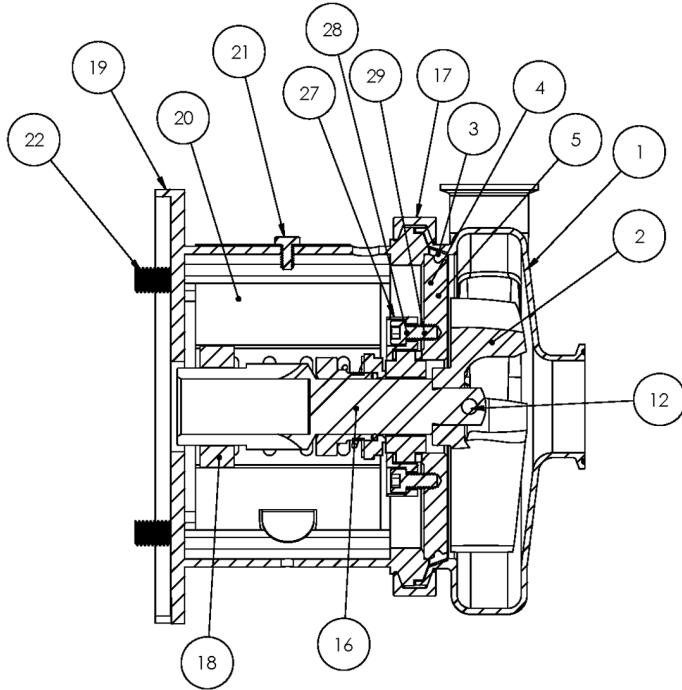
2	Impeller
15	Impeller Key
12	Impeller Nut
16	Stub Shaft
18	Shaft Collar
13	Impeller Nut Gasket
14	Impeller Gasket Back

**AC+ Conversion Kit**

*Optional Items Shown in ITALICS*

Ref #	Component Item No.	Description	Qty Per
1	<b>C+KIT-216/21</b>	<b>KIT,216,210TC,C+CONVRT,BUNA C</b>	<b>1</b>
	<i>C+KIT-216/21-E</i>	<i>KIT,216,210TC,C+CONVRT,EPDM C</i>	<i>1</i>
	<i>C+KIT-216/21-V</i>	<i>KIT,216,210TC,C+CONVRT,VIT C</i>	<i>1</i>

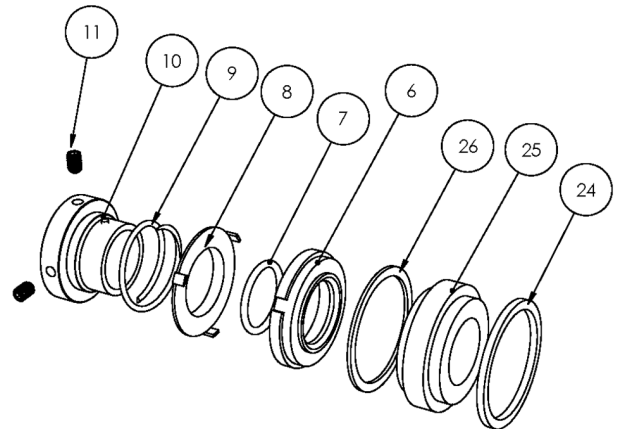
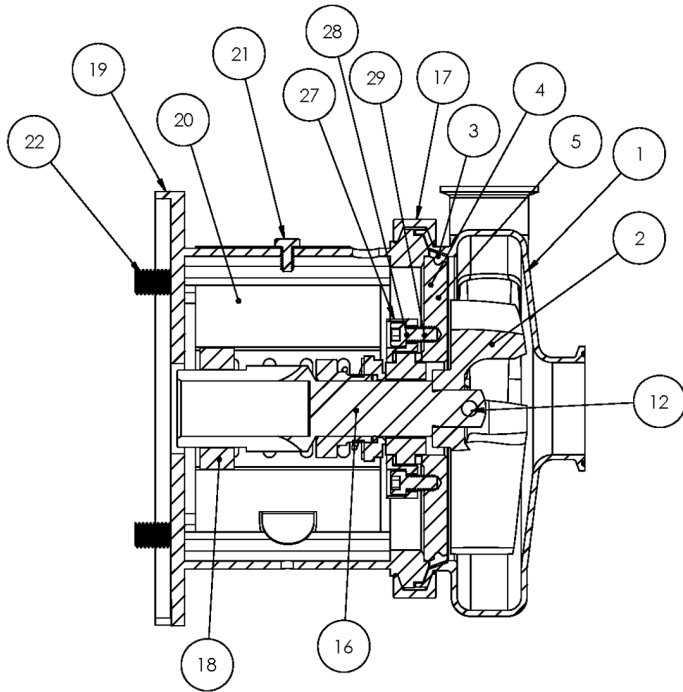




**Exploded View**

*Optional Items Shown in ITALICS*

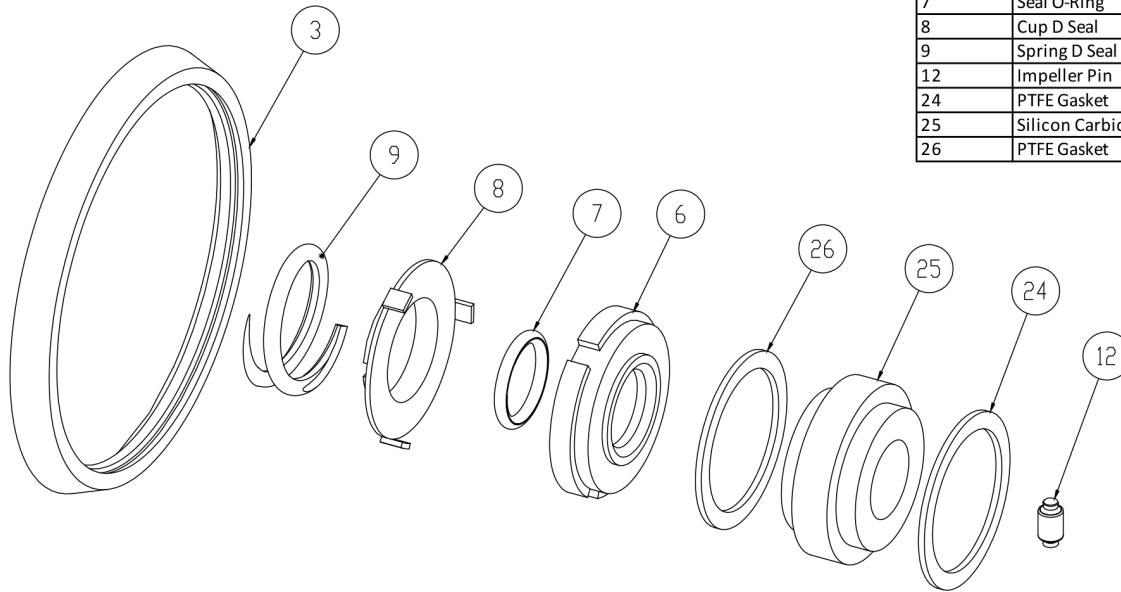
Ref #	Component Item No.	Description	Qty Per
1	<b>S316M-01C-E</b>	<b>CASING,2-1/2X1-1/2,TRI-CLMP C316/C+316</b>	1
	<i>S316T-01C-E</i>	<i>CASING,2-1/2X1-1/2,BVL SEAT C316/C+316</i>	1
	<i>S316MI-01C-E</i>	<i>CASING,2-1/2X1-1/2,CLMP GLASS C316/C+316</i>	1
	<i>S316S-01C-E</i>	<i>CASING,2-1/2X1-1/2,NPT C316/C+316</i>	1
	<i>S316F-01D-E</i>	<i>CASING,2-1/2X1-1/2,FLNGD C316/C+316</i>	1
2	<b>S216-02C-316L</b>	<b>IMPELLER,216/316 C UNIVERSAL</b>	1
3	<b>S216-90A-U</b>	<b>GASKET,216,CASING,BUNA C C+</b>	1
	<i>S216-90A-E</i>	<i>GASKET,216,CASING,EPDM C C+</i>	1
	<i>S216-90A-V</i>	<i>GASKET,216,CASING,VIT C C+</i>	1
4	<b>SP216G-11-316L</b>	<b>BACKPLATE,DG,216 C C+</b>	1
5	<b>216D-11-1-S</b>	<b>PIN,BACKPLT,114/216/328 C C+</b>	2
6	<b>216E-80-1A</b>	<b>SEAL,216/316,+2116,CARBON +2116 C C+</b>	1
	<i>216E-80-1SC</i>	<i>SEAL,216,RTRY,SILC CARB C C+</i>	1
7	<b>01-1165-19-U</b>	<b>O-RING,216,SEAL,BUNA C</b>	1
	<i>01-1165-19-E</i>	<i>O-RING,216,SEAL,EPDM C</i>	1
	<i>01-1165-19-V</i>	<i>O-RING,216,SEAL,VITON C</i>	1
8	<b>216D-80-3P</b>	<b>CUP,D,216/316,+216/316/4329 C C+</b>	1
9	<b>216D-80-4</b>	<b>SPRING,D,216/316/+2116 C C+ DB</b>	1
10	<b>SP216D-23P-S</b>	<b>COLLAR,D,+216/+2116DRIVE C+ DB</b>	1
11	<b>SC1105A-SS</b>	<b>SCREW,SET,DRV COLLR,1/4-20X3/8 -SS</b>	2
12	<b>216D-24B-316L</b>	<b>RETAINER,IMPLR</b>	1
16	<b>CS216E25T-06</b>	<b>STUBSHAFT,250TC,UNIVRSL C216</b>	1
17	<b>S216-75AR-S</b>	<b>CLAMP,216,CASING C C+</b>	1
18	<b>SX18000016</b>	<b>COLLAR,250TC/280TSC,SHAFT LC</b>	1
19	<b>216E25T-71D-SS</b>	<b>ADAPTER,250TC FRAME,SS C216/C+216</b>	1
20	<b>C216-21T-131B-S</b>	<b>GUARD,SEAL,216/316/+2116,SS C C+ 210TC</b>	1
21	<b>GX5079600</b>	<b>CAPSCRW,HX,1/4-20X1/2,18-8SS HX HD</b>	1



**Exploded View**

*Optional Items Shown in ITALICS*

Ref #	Component Item No.	Description	Qty Per
22	SC1710H-SS	CAPSCRW,HX,1/2-13X1,18-8SS HX HD	4
24	SP216G-80-12AG	GASKET,216/316,DG,THK,PTFE C C+	1
25	SP216G-80-11SC	SEAT,216/316,DG,SEAL,SILC CARB C C+	1
	<i>SP216G-80-11TC</i>	<i>SEAT,216,DG,SEAL,TUNG CARB C C+</i>	1
	<i>SP216G-80-11CER</i>	<i>SEAT,216,DG,SEAL,CERAMIC C C+</i>	1
26	SP216G-80-12G	GASKET,216/316,DG,THN,PTFE C C+	1
27	SP216G-17-316L	RING,216,GLAND,DG C C+	1
28	GX5076004	CAPSCRW,HX,5/16-18X1,8-8SS HX HD	4
29	LWA-1300-SS	WASHER,LOCK,5/16,18-8SS	4

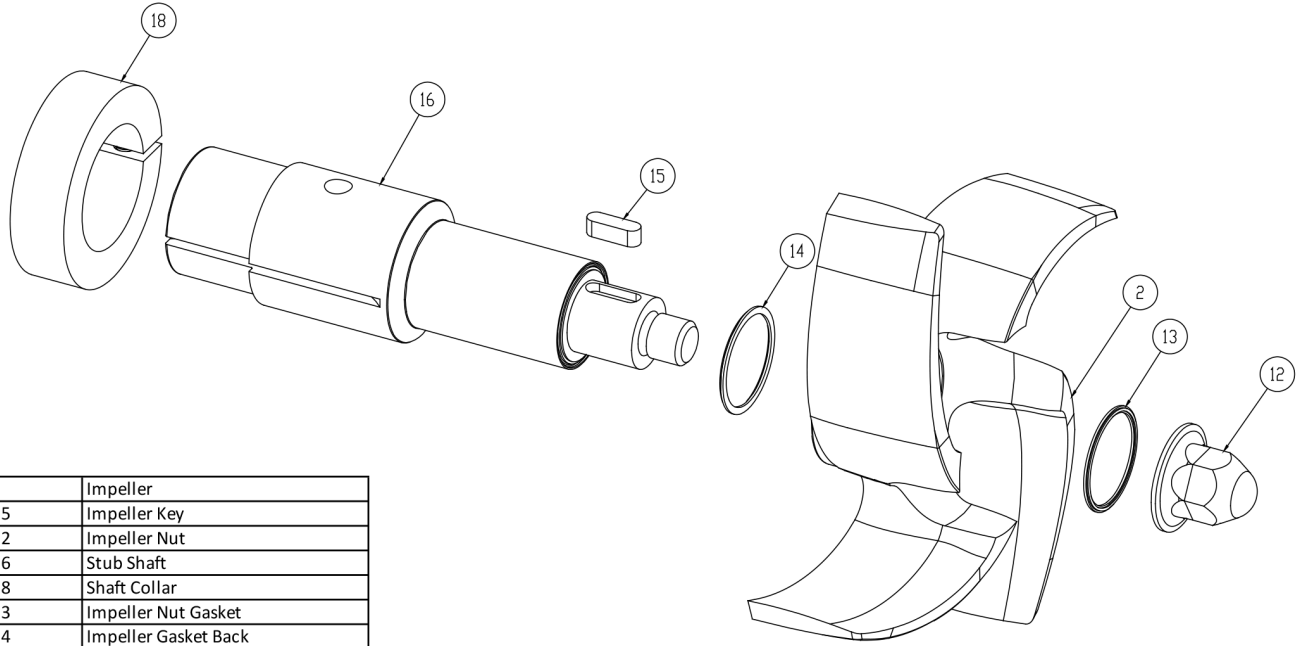


3	Casing Gasket
6	Seal Carbon
7	Seal O-Ring
8	Cup D Seal
9	Spring D Seal
12	Impeller Pin
24	PTFE Gasket
25	Silicon Carbide Seat
26	PTFE Gasket

**Seal Kit DG**

*Optional Items Shown in ITALICS*

Ref #	Component Item No.	Description	Qty Per
1	<b>KITDG-C216-B</b>	<b>KIT,216,DG,SEAL,BUNA C</b>	<b>1</b>
	<i>KITDG-C216-E</i>	<i>KIT,216,DG SEAL,SC,EPDM C</i>	<i>1</i>
	<i>KITDG-C216-S</i>	<i>KIT,216,DG,SEAL,VIT C</i>	<i>1</i>

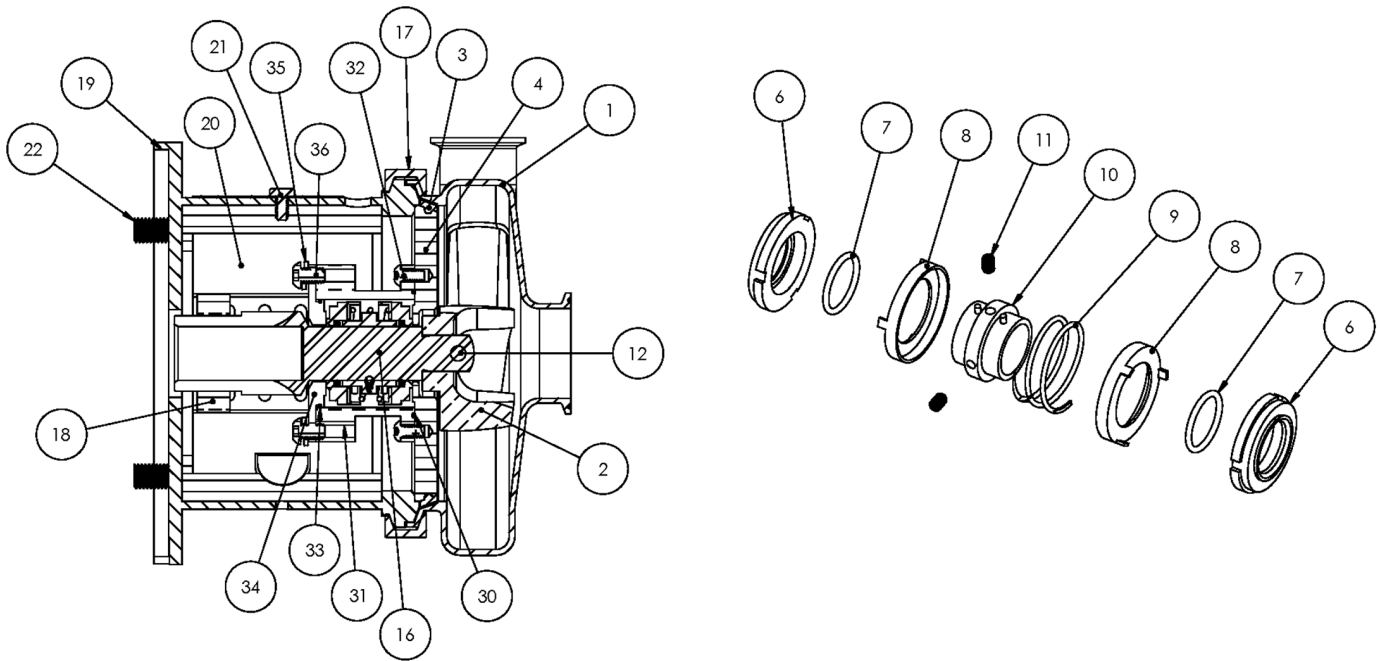


2	Impeller
15	Impeller Key
12	Impeller Nut
16	Stub Shaft
18	Shaft Collar
13	Impeller Nut Gasket
14	Impeller Gasket Back

**AC+ Conversion Kit**

*Optional Items Shown in ITALICS*

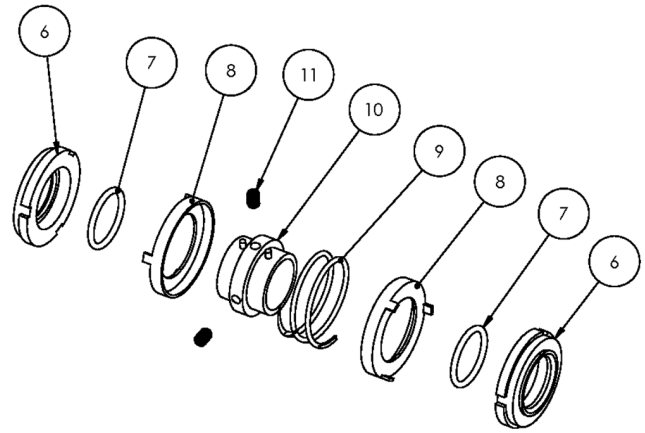
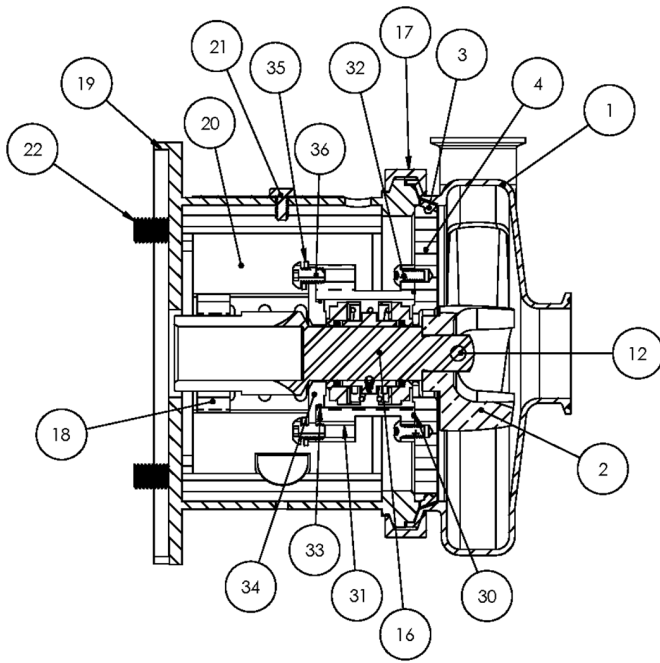
Ref #	Component Item No.	Description	Qty Per
1	<b>C+KIT-216/25</b>	<b>KIT,216,250TC,C+CONVRT,BUNA C</b>	<b>1</b>
	<i>C+KIT-216/25-E</i>	<i>KIT,216,250TC,C+CONVRT,EPDM C</i>	<i>1</i>
	<i>C+KIT-216/25-V</i>	<i>KIT,216,250TC,C+CONVRT,VIT C</i>	<i>1</i>



**Exploded View**

*Optional Items Shown in ITALICS*

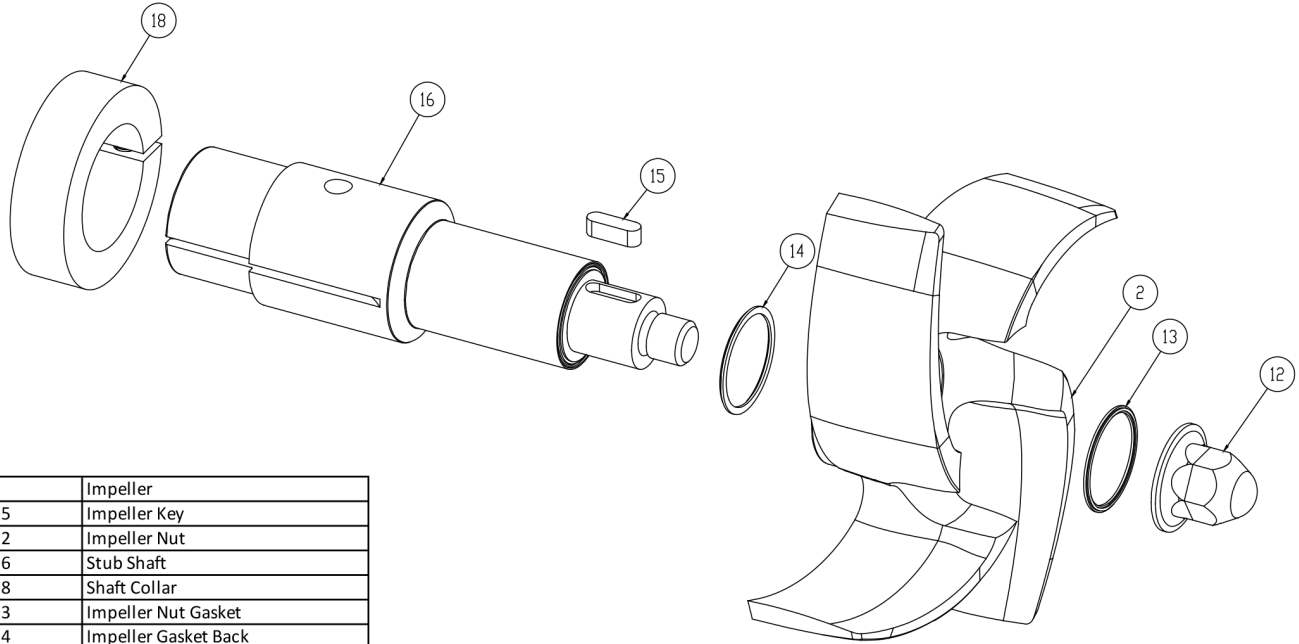
Ref #	Component Item No.	Description	Qty Per
1	<b>S316M-01C-E</b>	<b>CASING,2-1/2X1-1/2,TRI-CLMP C316/C+316</b>	1
	<i>S316T-01C-E</i>	<i>CASING,2-1/2X1-1/2,BVL SEAT C316/C+316</i>	1
	<i>S316MI-01C-E</i>	<i>CASING,2-1/2X1-1/2,CLMP GLASS C316/C+316</i>	1
	<i>S316S-01C-E</i>	<i>CASING,2-1/2X1-1/2,NPT C316/C+316</i>	1
	<i>S316F-01D-E</i>	<i>CASING,2-1/2X1-1/2,FLNGD C316/C+316</i>	1
2	<b>S216-02C-316L</b>	<b>IMPELLER,216/316 C UNIVERSAL</b>	1
3	<b>S216-90A-U</b>	<b>GASKET,216,CASING,BUNA C C+</b>	1
	<i>S216-90A-E</i>	<i>GASKET,216,CASING,EPDM C C+</i>	1
	<i>S216-90A-V</i>	<i>GASKET,216,CASING,VIT C C+</i>	1
4	<b>216E-11B-316</b>	<b>BACKPLATE,E,216 C C+</b>	1
6	<b>216E-80-1A</b>	<b>SEAL,216/316,+2116,CARBON +2116 C C+</b>	2
7	<b>01-1165-19-U</b>	<b>O-RING,216,SEAL,BUNA C</b>	2
	<i>01-1165-19-E</i>	<i>O-RING,216,SEAL,EPDM C</i>	2
	<i>01-1165-19-V</i>	<i>O-RING,216,SEAL,VITON C</i>	2
8	<b>216E-80-3P</b>	<b>CUP,E,216/316,+216/316 C C+</b>	2
9	<b>216E-80-4A</b>	<b>SPRING,E,216/316 C C+</b>	1
10	<b>216E-23-316L</b>	<b>COLLAR,E,216/316,DRIVE C C+</b>	1
11	<b>SC1103A-SS</b>	<b>SCREW,SET,1/4-20X1/4 E BALANCED</b>	2
12	<b>216D-24B-316L</b>	<b>RETAINER,IMPLR</b>	1
16	<b>CS216E56T-06</b>	<b>STUBSHAFT,56C,UNIVRSL C216</b>	1
17	<b>S216-75AR-S</b>	<b>CLAMP,216,CASING C C+</b>	1
18	<b>SX18000013</b>	<b>COLLAR,56C/140TC,SHAFT L SEE ITEM NOTES</b>	1
19	<b>216D56T-71C-SS</b>	<b>ADAPTER,56C-140TC,SS C216/C+216</b>	1
20	<b>C216-56T-131-S</b>	<b>GUARD,SEAL,216/316,SS C C+ CB+ IC+ 56C-140TC</b>	1
22	<b>GX5077100</b>	<b>CAPSCRW,HX,3/8-16X1,18-8SS HX HD</b>	4
	<b>SC1710H-SS</b>	<b>CAPSCRW,HX,1/2-13X1,18-8SS HX HD</b>	4
30	<b>17-122-U</b>	<b>O-RING,216,STUFF BX,BUNA C</b>	1



**Exploded View**

*Optional Items Shown in ITALICS*

Ref #	Component Item No.	Description	Qty Per
30	<i>17-122-E</i>	<i>O-RING,216,STUFF BX,EPDM C</i>	1
	<i>17-122-V</i>	<i>O-RING,216,STUFF BX,VITON C</i>	1
31	<b>216E-83B-316</b>	<b>STUFFING BOX,E,216 C C+</b>	1
32	<b>SC1106E-SS</b>	<b>CAPSCRW,BH,1/4-20X1/2,18-8SS BUTTON HD</b>	4
33	<b>17-275-U</b>	<b>O-RING,216,FOLLOWER,BUNA C C+</b>	1
	<i>17-275-E</i>	<i>O-RING,216,FOLLOWER,EPDM C</i>	1
	<i>17-275-V</i>	<i>O-RING,216,FOLLOWER,VIT C</i>	1
34	<b>216E-17-316</b>	<b>FOLLOWER,E,216/+216 C C+</b>	1
35	<b>LWA-1300-SS</b>	<b>WASHER,LOCK,5/16,18-8SS</b>	4
36	<b>SC1308H-SS</b>	<b>CAPSCRW,BH,5/16-18 X1/2,18-8SS BUTTON HD</b>	4

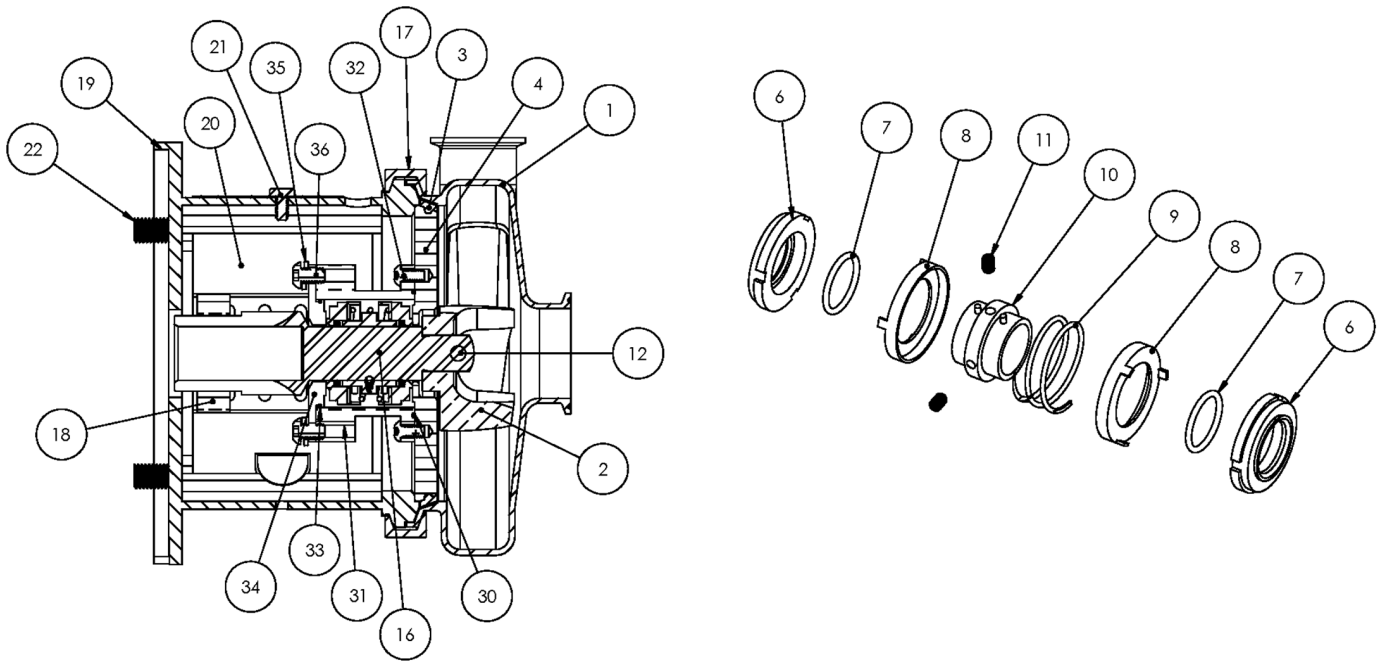


2	Impeller
15	Impeller Key
12	Impeller Nut
16	Stub Shaft
18	Shaft Collar
13	Impeller Nut Gasket
14	Impeller Gasket Back

**AC+ Conversion Kit**

*Optional Items Shown in ITALICS*

Ref #	Component Item No.	Description	Qty Per
1	<b>C+KIT-216/56</b>	<b>KIT,216,56TC,C+CONVRT,BUNA C</b>	<b>1</b>
	<i>C+KIT-216/56-E</i>	<i>KIT,216,56TC,C+CONVRT,EPDM C</i>	<i>1</i>
	<i>C+KIT-216/56-V</i>	<i>KIT,216,56TC,C+CONVRT,VIT CL VI C</i>	<i>1</i>

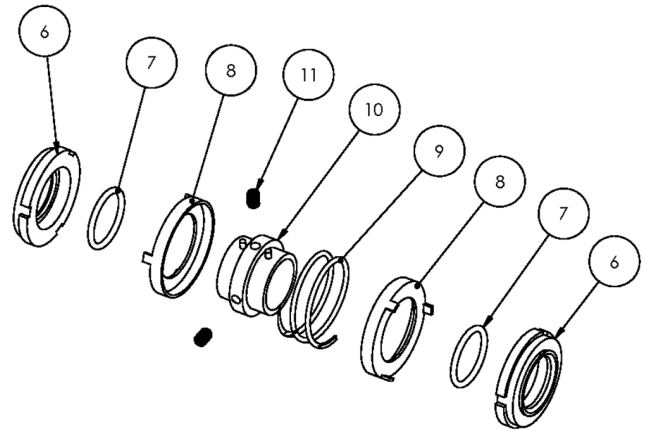
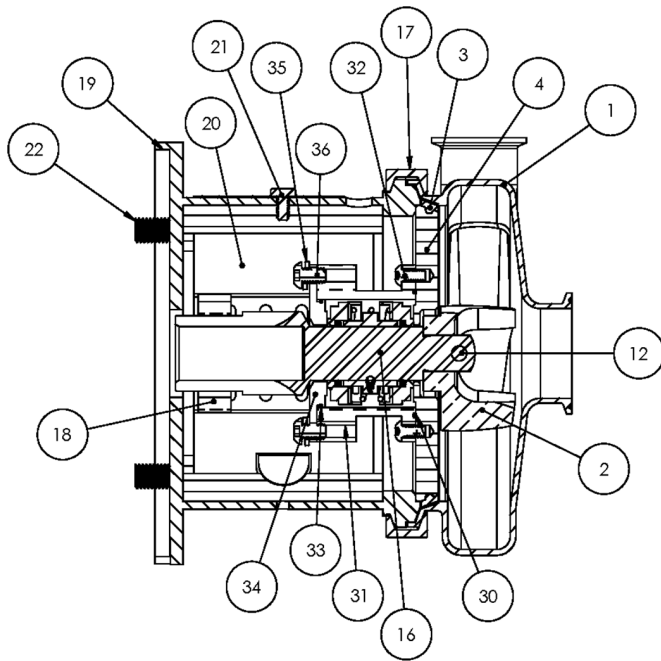


**Exploded View**

*Optional Items Shown in ITALICS*

Ref #	Component Item No.	Description	Qty Per
1	<b>S316M-01C-E</b>	<b>CASING,2-1/2X1-1/2,TRI-CLMP C316/C+316</b>	1
	<i>S316T-01C-E</i>	<i>CASING,2-1/2X1-1/2,BVL SEAT C316/C+316</i>	1
	<i>S316MI-01C-E</i>	<i>CASING,2-1/2X1-1/2,CLMP GLASS C316/C+316</i>	1
	<i>S316S-01C-E</i>	<i>CASING,2-1/2X1-1/2,NPT C316/C+316</i>	1
	<i>S316F-01D-E</i>	<i>CASING,2-1/2X1-1/2,FLNGD C316/C+316</i>	1
2	<b>S216-02C-316L</b>	<b>IMPELLER,216/316 C UNIVERSAL</b>	1
3	<b>S216-90A-U</b>	<b>GASKET,216,CASING,BUNA C C+</b>	1
	<i>S216-90A-E</i>	<i>GASKET,216,CASING,EPDM C C+</i>	1
	<i>S216-90A-V</i>	<i>GASKET,216,CASING,VIT C C+</i>	1
4	<b>216E-11B-316</b>	<b>BACKPLATE,E,216 C C+</b>	1
6	<b>216E-80-1A</b>	<b>SEAL,216/316,+2116,CARBON +2116 C C+</b>	2
7	<b>01-1165-19-U</b>	<b>O-RING,216,SEAL,BUNA C</b>	2
	<i>01-1165-19-E</i>	<i>O-RING,216,SEAL,EPDM C</i>	2
	<i>01-1165-19-V</i>	<i>O-RING,216,SEAL,VITON C</i>	2
8	<b>216E-80-3P</b>	<b>CUP,E,216/316,+216/316 C C+</b>	2
9	<b>216E-80-4A</b>	<b>SPRING,E,216/316 C C+</b>	1
10	<b>216E-23-316L</b>	<b>COLLAR,E,216/316,DRIVE C C+</b>	1
11	<b>SC1103A-SS</b>	<b>SCREW,SET,1/4-20X1/4 E BALANCED</b>	2
12	<b>216D-24B-316L</b>	<b>RETAINER,IMPLR</b>	1
16	<b>CS216E14T-06</b>	<b>STUBSHAFT,140TC,UNIVRSL C216</b>	1
17	<b>S216-75AR-S</b>	<b>CLAMP,216,CASING C C+</b>	1
18	<b>SX18000013</b>	<b>COLLAR,56C/140TC,SHAFT L SEE ITEM NOTES</b>	1
19	<b>216D56T-71C-SS</b>	<b>ADAPTER,56C-140TC,SS C216/C+216</b>	1
20	<b>C216-56T-131-S</b>	<b>GUARD,SEAL,216/316,SS C C+ CB+ IC+ 56C-140TC</b>	1
22	<b>SC1710H-SS</b>	<b>CAPSCRW,HX,1/2-13X1,18-8SS HX HD</b>	4
30	<b>17-122-U</b>	<b>O-RING,216,STUFF BX,BUNA C</b>	1
	<i>17-122-E</i>	<i>O-RING,216,STUFF BX,EPDM C</i>	1

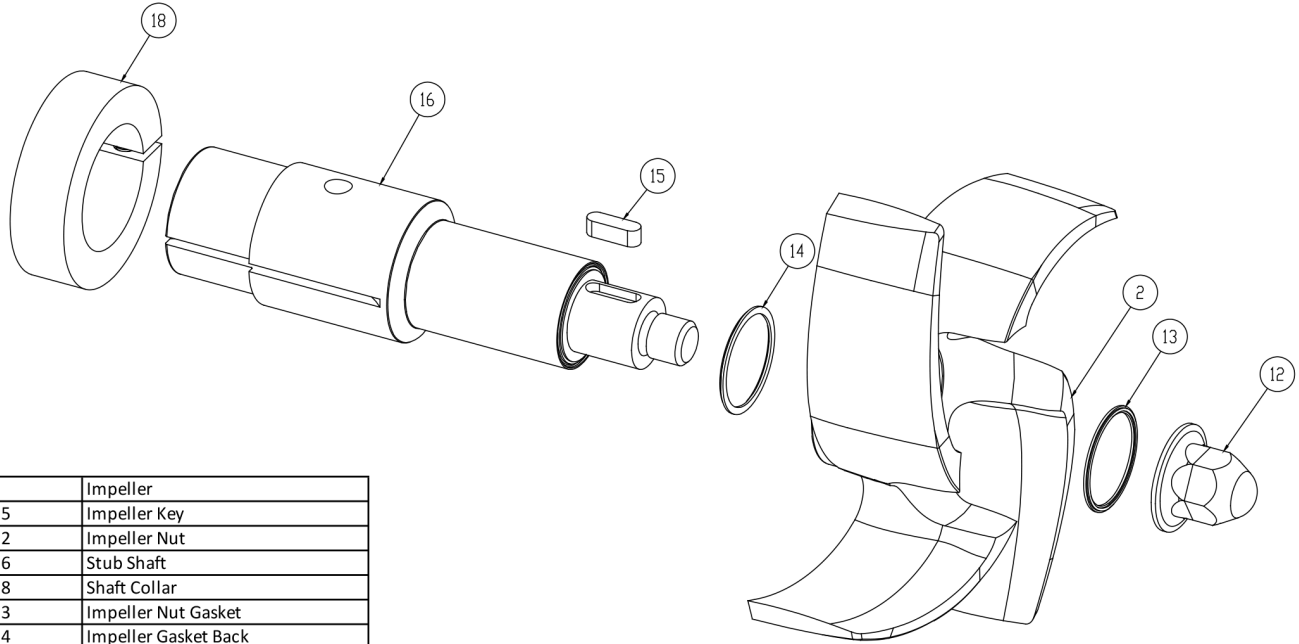




**Exploded View**

*Optional Items Shown in ITALICS*

Ref #	Component Item No.	Description	Qty Per
30	17-122-V	O-RING,216,STUFF BX,VITON C	1
31	216E-83B-316	STUFFING BOX,E,216 C C+	1
32	SC1106E-SS	CAPSCRW,BH,1/4-20X1/2,18-8SS BUTTON HD	4
33	17-275-U	O-RING,216,FOLLOWER,BUNA C C+	1
	17-275-E	O-RING,216,FOLLOWER,EPDM C	1
	17-275-V	O-RING,216,FOLLOWER,VIT C	1
34	216E-17-316	FOLLOWER,E,216/+216 C C+	1
35	LWA-1300-SS	WASHER,LOCK,5/16,18-8SS	4
36	SC1308H-SS	CAPSCRW,BH,5/16-18 X1/2,18-8SS BUTTON HD	4

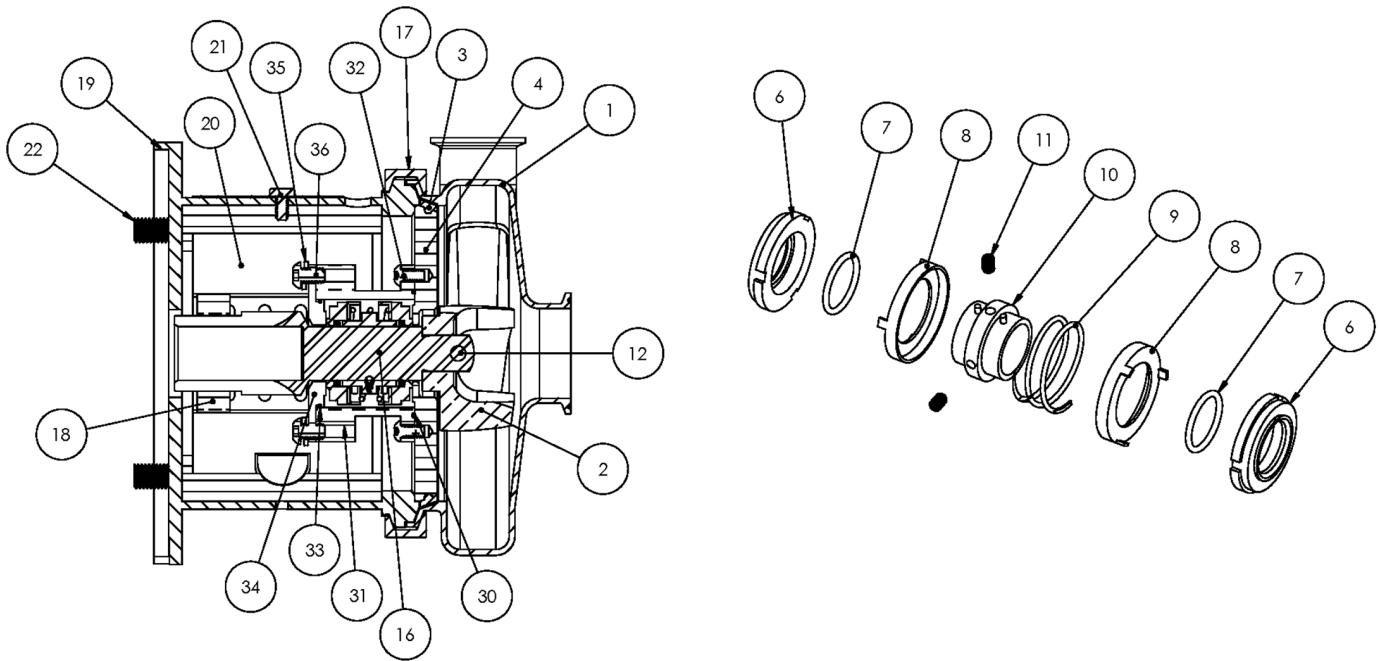


2	Impeller
15	Impeller Key
12	Impeller Nut
16	Stub Shaft
18	Shaft Collar
13	Impeller Nut Gasket
14	Impeller Gasket Back

**AC+ Conversion Kit**

*Optional Items Shown in ITALICS*

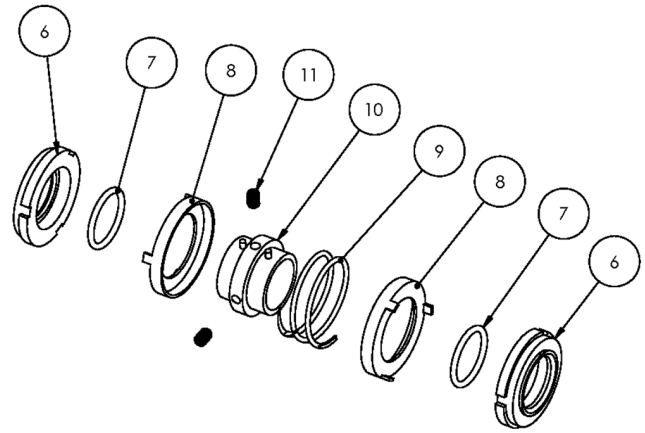
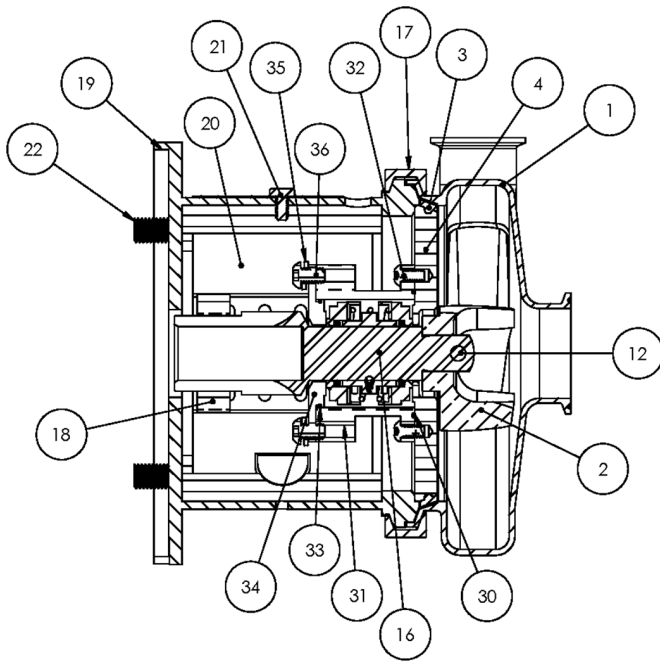
Ref #	Component Item No.	Description	Qty Per
1	<b>C+KIT-216/14</b>	<b>KIT,216,140TC,C+CONVRT,BUNA C</b>	<b>1</b>
	<i>C+KIT-216/14-E</i>	<i>KIT,216,140TC,C+CONVRT,EPDM C</i>	<i>1</i>
	<i>C+KIT-216/14-V</i>	<i>KIT,216,140TC,C+CONVRT,VIT C</i>	<i>1</i>



**Exploded View**

*Optional Items Shown in ITALICS*

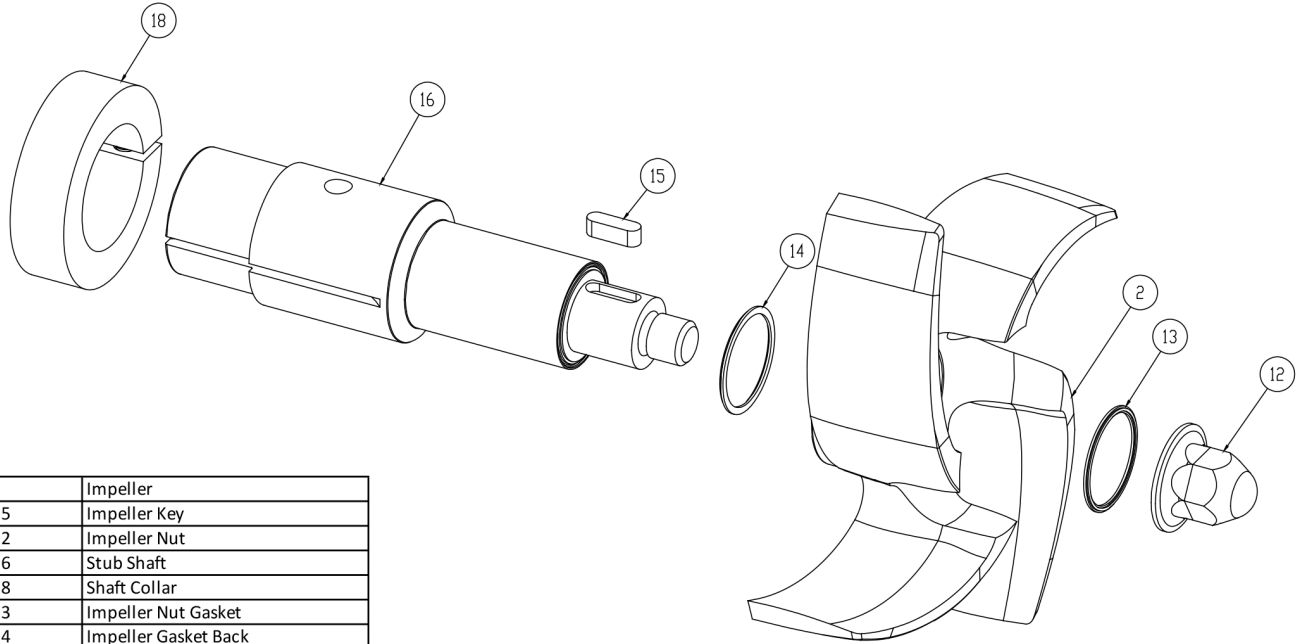
Ref #	Component Item No.	Description	Qty Per
1	<b>S316M-01C-E</b>	<b>CASING,2-1/2X1-1/2,TRI-CLMP C316/C+316</b>	1
	<i>S316T-01C-E</i>	<i>CASING,2-1/2X1-1/2,BVL SEAT C316/C+316</i>	1
	<i>S316MI-01C-E</i>	<i>CASING,2-1/2X1-1/2,CLMP GLASS C316/C+316</i>	1
	<i>S316S-01C-E</i>	<i>CASING,2-1/2X1-1/2,NPT C316/C+316</i>	1
	<i>S316F-01D-E</i>	<i>CASING,2-1/2X1-1/2,FLNGD C316/C+316</i>	1
2	<b>S216-02C-316L</b>	<b>IMPELLER,216/316 C UNIVERSAL</b>	1
3	<b>S216-90A-U</b>	<b>GASKET,216,CASING,BUNA C C+</b>	1
	<i>S216-90A-E</i>	<i>GASKET,216,CASING,EPDM C C+</i>	1
	<i>S216-90A-V</i>	<i>GASKET,216,CASING,VIT C C+</i>	1
4	<b>216E-11B-316</b>	<b>BACKPLATE,E,216 C C+</b>	1
6	<b>216E-80-1A</b>	<b>SEAL,216/316,+2116,CARBON +2116 C C+</b>	2
7	<b>01-1165-19-U</b>	<b>O-RING,216,SEAL,BUNA C</b>	2
	<i>01-1165-19-E</i>	<i>O-RING,216,SEAL,EPDM C</i>	2
	<i>01-1165-19-V</i>	<i>O-RING,216,SEAL,VITON C</i>	2
8	<b>216E-80-3P</b>	<b>CUP,E,216/316,+216/316 C C+</b>	2
9	<b>216E-80-4A</b>	<b>SPRING,E,216/316 C C+</b>	1
10	<b>216E-23-316L</b>	<b>COLLAR,E,216/316,DRIVE C C+</b>	1
11	<b>SC1103A-SS</b>	<b>SCREW,SET,1/4-20X1/4 E BALANCED</b>	2
12	<b>216D-24B-316L</b>	<b>RETAINER,IMPLR</b>	1
16	<b>CS216E18T-06</b>	<b>STUBSHAFT,180TC,UNIVRSL C216</b>	1
17	<b>S216-75AR-S</b>	<b>CLAMP,216,CASING C C+</b>	1
18	<b>SX18000014</b>	<b>COLLAR,180TC,SHAFT LC</b>	1
19	<b>216D18T-71D-SS</b>	<b>ADAPTER,180TC FRAME SS C216/C+216</b>	1
20	<b>C216-18T-131-S</b>	<b>GUARD,SEAL,216/316,SS C C+ C+ 180TC</b>	1
21	<b>GX5079600</b>	<b>CAPSCRW,HX,1/4-20X1/2,18-8SS HX HD</b>	1
22	<b>SC1710H-SS</b>	<b>CAPSCRW,HX,1/2-13X1,18-8SS HX HD</b>	4
30	<b>17-122-U</b>	<b>O-RING,216,STUFF BX,BUNA C</b>	1



**Exploded View**

*Optional Items Shown in ITALICS*

Ref #	Component Item No.	Description	Qty Per
30	17-122-E	O-RING,216,STUFF BX,EPDM C	1
	17-122-V	O-RING,216,STUFF BX,VITON C	1
31	216E-83B-316	STUFFING BOX,E,216 C C+	1
32	SC1106E-SS	CAPSCRW,BH,1/4-20X1/2,18-8SS BUTTON HD	4
33	17-275-U	O-RING,216,FOLLOWER,BUNA C C+	1
	17-275-E	O-RING,216,FOLLOWER,EPDM C	1
	17-275-V	O-RING,216,FOLLOWER,VIT C	1
34	216E-17-316	FOLLOWER,E,216/+216 C C+	1
35	LWA-1300-SS	WASHER,LOCK,5/16,18-8SS	4
36	SC1308H-SS	CAPSCRW,BH,5/16-18 X1/2,18-8SS BUTTON HD	4

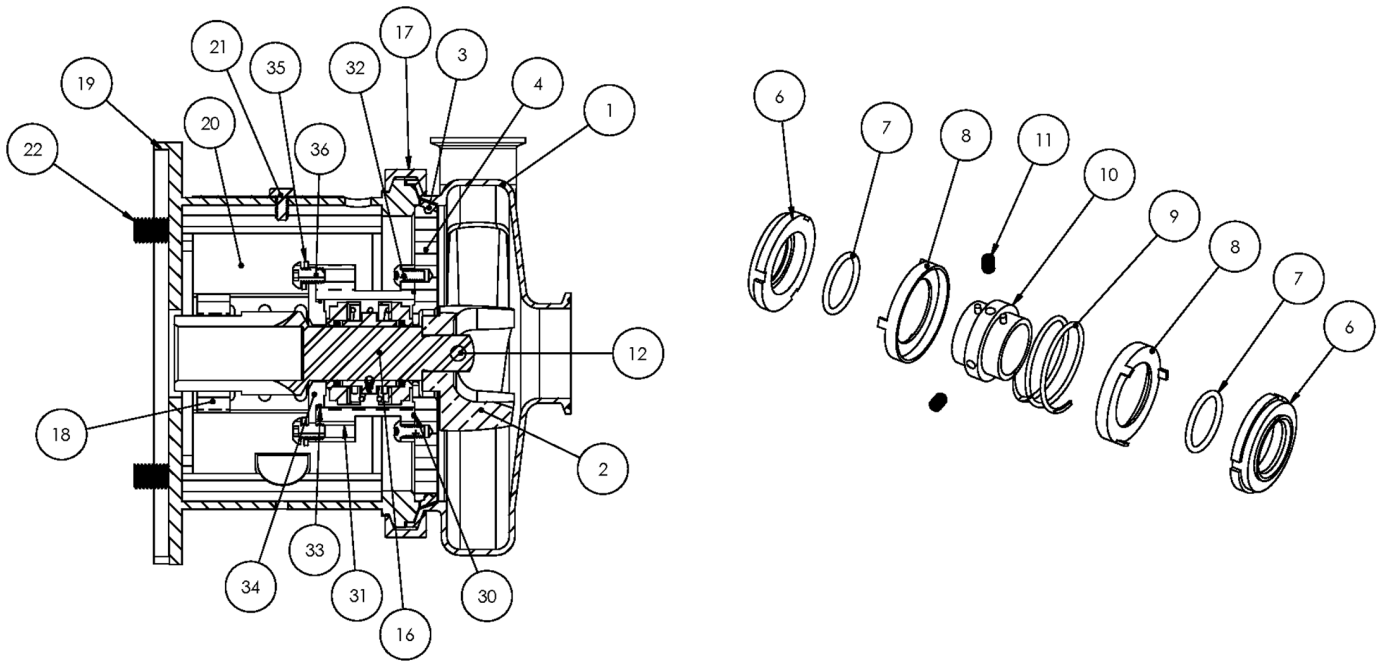


2	Impeller
15	Impeller Key
12	Impeller Nut
16	Stub Shaft
18	Shaft Collar
13	Impeller Nut Gasket
14	Impeller Gasket Back

**AC+ Conversion Kit**

*Optional Items Shown in ITALICS*

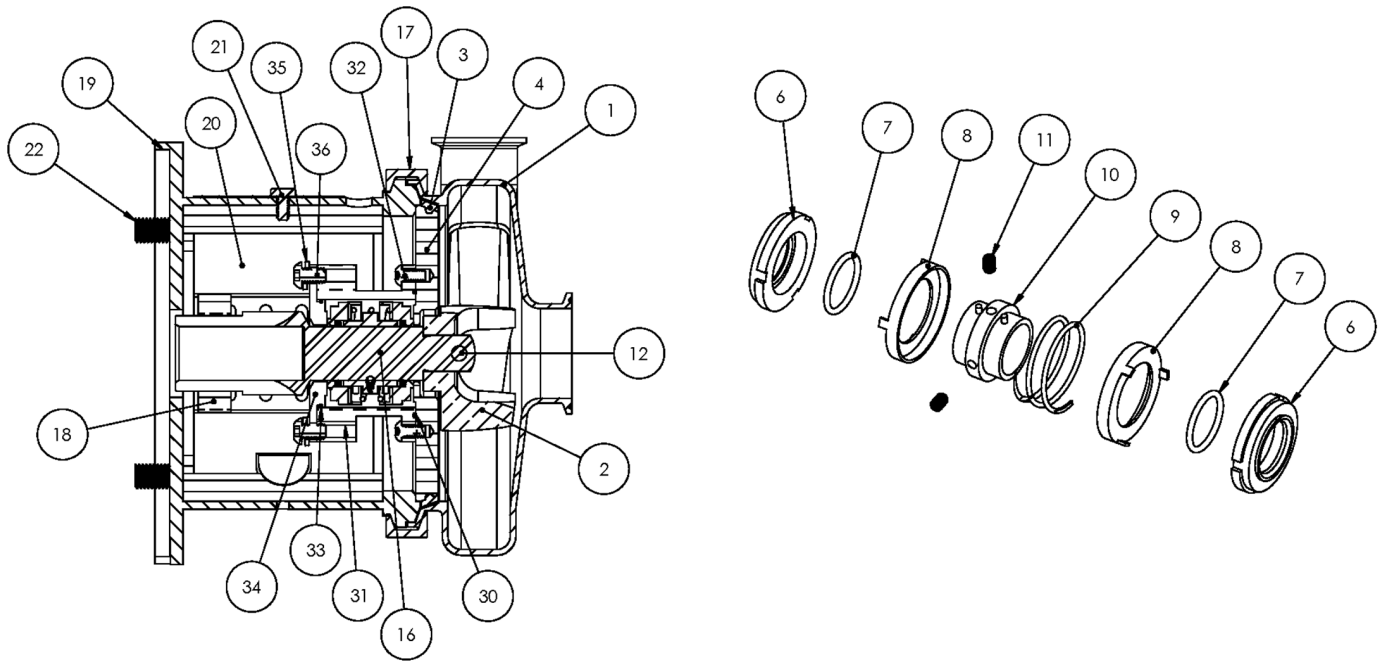
Ref #	Component Item No.	Description	Qty Per
1	<b>C+KIT-216/18</b>	<b>KIT,216,180TC,C+CONVRT,BUNA C</b>	<b>1</b>
	<i>C+KIT-216/18-E</i>	<i>KIT,216,180TC,C+CONVRT,EPDM C</i>	<i>1</i>
	<i>C+KIT-216/18-V</i>	<i>KIT,216,180TC,C+CONVRT,VIT C</i>	<i>1</i>



**Exploded View**

*Optional Items Shown in ITALICS*

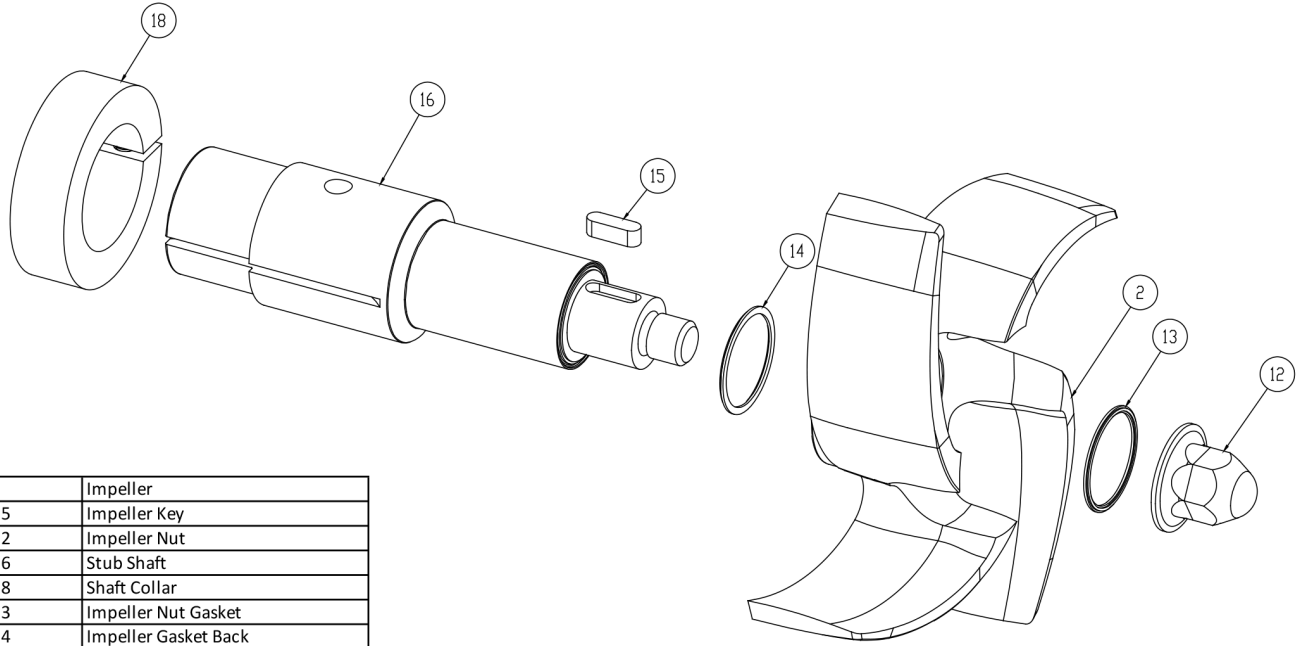
Ref #	Component Item No.	Description	Qty Per
1	<b>S316M-01C-E</b>	<b>CASING,2-1/2X1-1/2,TRI-CLMP C316/C+316</b>	1
	<i>S316T-01C-E</i>	<i>CASING,2-1/2X1-1/2,BVL SEAT C316/C+316</i>	1
	<i>S316MI-01C-E</i>	<i>CASING,2-1/2X1-1/2,CLMP GLASS C316/C+316</i>	1
	<i>S316S-01C-E</i>	<i>CASING,2-1/2X1-1/2,NPT C316/C+316</i>	1
	<i>S316F-01D-E</i>	<i>CASING,2-1/2X1-1/2,FLNGD C316/C+316</i>	1
2	<b>S216-02C-316L</b>	<b>IMPELLER,216/316 C UNIVERSAL</b>	1
3	<b>S216-90A-U</b>	<b>GASKET,216,CASING,BUNA C C+</b>	1
	<i>S216-90A-E</i>	<i>GASKET,216,CASING,EPDM C C+</i>	1
	<i>S216-90A-V</i>	<i>GASKET,216,CASING,VIT C C+</i>	1
4	<b>216E-11B-316</b>	<b>BACKPLATE,E,216 C C+</b>	1
6	<b>216E-80-1A</b>	<b>SEAL,216/316,+2116,CARBON +2116 C C+</b>	2
7	<b>01-1165-19-U</b>	<b>O-RING,216,SEAL,BUNA C</b>	2
	<i>01-1165-19-E</i>	<i>O-RING,216,SEAL,EPDM C</i>	2
	<i>01-1165-19-V</i>	<i>O-RING,216,SEAL,VITON C</i>	2
8	<b>216E-80-3P</b>	<b>CUP,E,216/316,+216/316 C C+</b>	2
9	<b>216E-80-4A</b>	<b>SPRING,E,216/316 C C+</b>	1
10	<b>216E-23-316L</b>	<b>COLLAR,E,216/316,DRIVE C C+</b>	1
11	<b>SC1103A-SS</b>	<b>SCREW,SET,1/4-20X1/4 E BALANCED</b>	2
12	<b>216D-24B-316L</b>	<b>RETAINER,IMPLR</b>	1
16	<b>CS216E21T-06</b>	<b>STUBSHAFT,210TC,UNIVRSL C216</b>	1
17	<b>S216-75AR-S</b>	<b>CLAMP,216,CASING C C+</b>	1
18	<b>SX18000015</b>	<b>COLLAR,210TC,SHAFT LC</b>	1
19	<b>216E21T-71D-SS</b>	<b>ADAPTER,210TC FRAME,SS C216/C+216</b>	1
20	<b>C216-21T-131B-S</b>	<b>GUARD,SEAL,216/316/+2116,SS C C+ 210TC</b>	1
21	<b>GX5079600</b>	<b>CAPSCRW,HX,1/4-20X1/2,18-8SS HX HD</b>	1
22	<b>SC1710H-SS</b>	<b>CAPSCRW,HX,1/2-13X1,18-8SS HX HD</b>	4
30	<b>17-122-U</b>	<b>O-RING,216,STUFF BX,BUNA C</b>	1



**Exploded View**

*Optional Items Shown in ITALICS*

Ref #	Component Item No.	Description	Qty Per
30	17-122-E	O-RING,216,STUFF BX,EPDM C	1
	17-122-V	O-RING,216,STUFF BX,VITON C	1
31	216E-83B-316	STUFFING BOX,E,216 C C+	1
32	SC1106E-SS	CAPSCRW,BH,1/4-20X1/2,18-8SS BUTTON HD	4
33	17-275-U	O-RING,216,FOLLOWER,BUNA C C+	1
	17-275-E	O-RING,216,FOLLOWER,EPDM C	1
	17-275-V	O-RING,216,FOLLOWER,VIT C	1
34	216E-17-316	FOLLOWER,E,216/+216 C C+	1
35	LWA-1300-SS	WASHER,LOCK,5/16,18-8SS	4
36	SC1308H-SS	CAPSCRW,BH,5/16-18 X1/2,18-8SS BUTTON HD	4



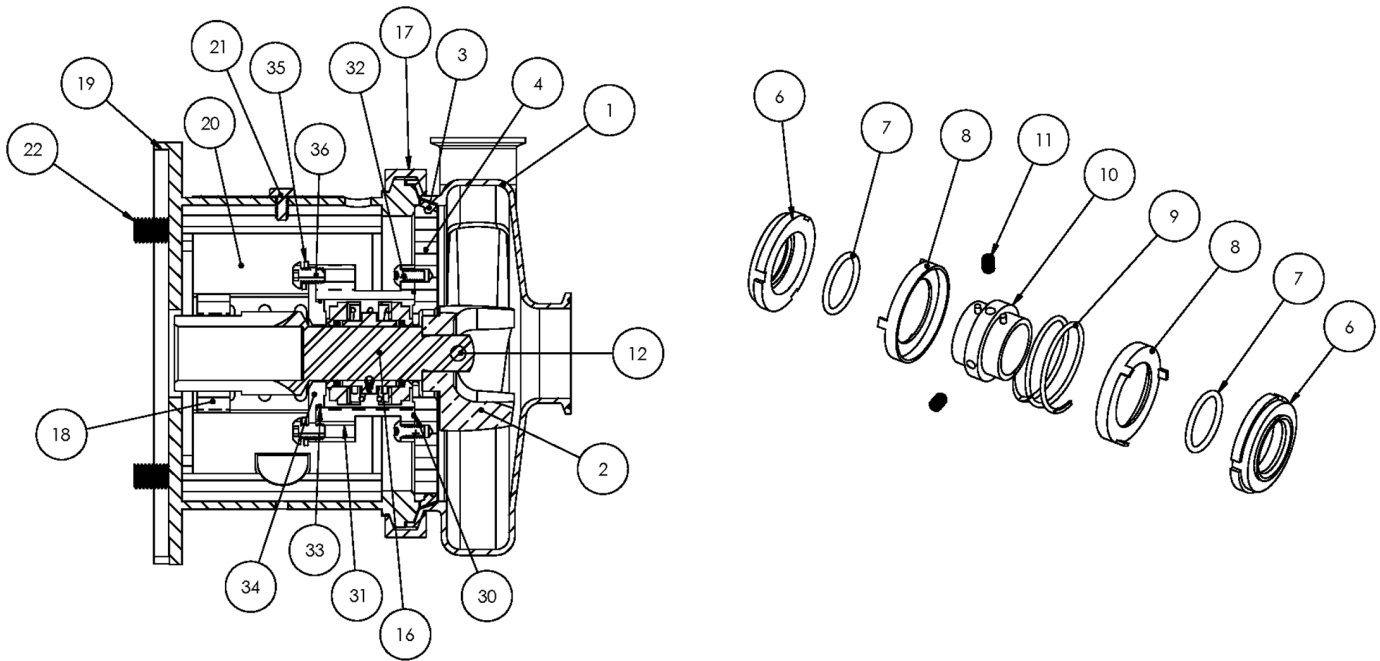
2	Impeller
15	Impeller Key
12	Impeller Nut
16	Stub Shaft
18	Shaft Collar
13	Impeller Nut Gasket
14	Impeller Gasket Back

**AC+ Conversion Kit**

*Optional Items Shown in ITALICS*

Ref #	Component Item No.	Description	Qty Per
1	<b>C+KIT-216/21</b>	<b>KIT,216,210TC,C+CONVRT,BUNA C</b>	<b>1</b>
	<i>C+KIT-216/21-E</i>	<i>KIT,216,210TC,C+CONVRT,EPDM C</i>	<i>1</i>
	<i>C+KIT-216/21-V</i>	<i>KIT,216,210TC,C+CONVRT,VIT C</i>	<i>1</i>

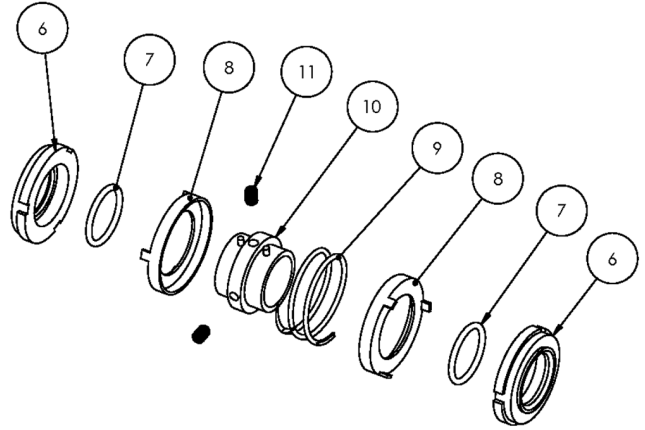
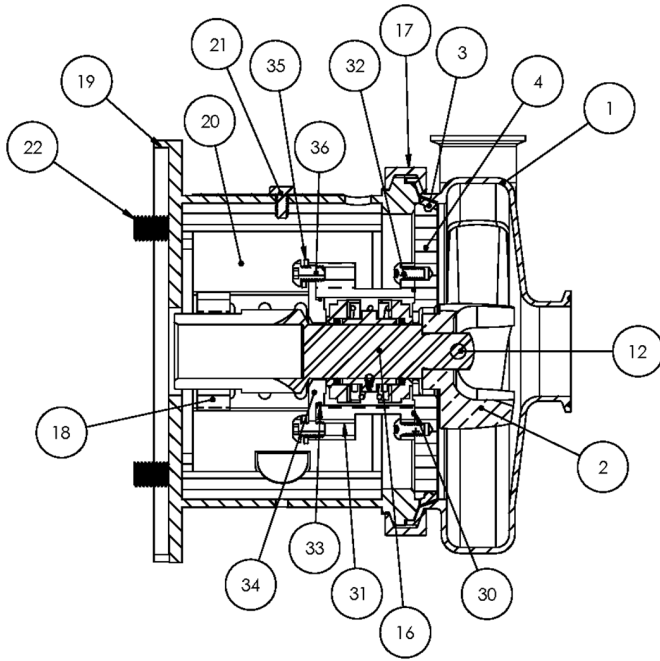




**Exploded View**

*Optional Items Shown in ITALICS*

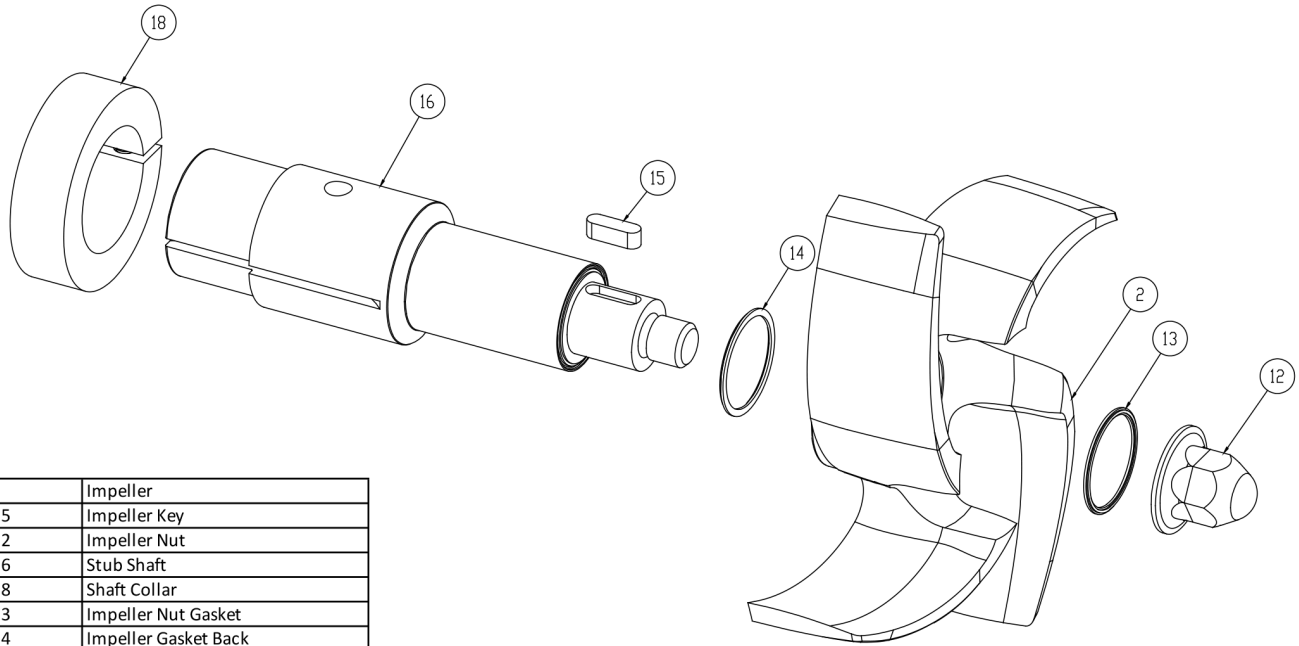
Ref #	Component Item No.	Description	Qty Per
1	<b>S316M-01C-E</b>	<b>CASING,2-1/2X1-1/2,TRI-CLMP C316/C+316</b>	1
	<i>S316T-01C-E</i>	<i>CASING,2-1/2X1-1/2,BVL SEAT C316/C+316</i>	1
	<i>S316MI-01C-E</i>	<i>CASING,2-1/2X1-1/2,CLMP GLASS C316/C+316</i>	1
	<i>S316S-01C-E</i>	<i>CASING,2-1/2X1-1/2,NPT C316/C+316</i>	1
	<i>S316F-01D-E</i>	<i>CASING,2-1/2X1-1/2,FLNGD C316/C+316</i>	1
2	<b>S216-02C-316L</b>	<b>IMPELLER,216/316 C UNIVERSAL</b>	1
3	<b>S216-90A-U</b>	<b>GASKET,216,CASING,BUNA C C+</b>	1
	<i>S216-90A-E</i>	<i>GASKET,216,CASING,EPDM C C+</i>	1
	<i>S216-90A-V</i>	<i>GASKET,216,CASING,VIT C C+</i>	1
4	<b>216E-11B-316</b>	<b>BACKPLATE,E,216 C C+</b>	1
6	<b>216E-80-1A</b>	<b>SEAL,216/316,+2116,CARBON +2116 C C+</b>	2
7	<b>01-1165-19-U</b>	<b>O-RING,216,SEAL,BUNA C</b>	2
	<i>01-1165-19-E</i>	<i>O-RING,216,SEAL,EPDM C</i>	2
	<i>01-1165-19-V</i>	<i>O-RING,216,SEAL,VITON C</i>	2
8	<b>216E-80-3P</b>	<b>CUP,E,216/316,+216/316 C C+</b>	2
9	<b>216E-80-4A</b>	<b>SPRING,E,216/316 C C+</b>	1
10	<b>216E-23-316L</b>	<b>COLLAR,E,216/316,DRIVE C C+</b>	1
11	<b>SC1103A-SS</b>	<b>SCREW,SET,1/4-20X1/4 E BALANCED</b>	2
12	<b>216D-24B-316L</b>	<b>RETAINER,IMPLR</b>	1
16	<b>CS216E25T-06</b>	<b>STUBSHAFT,250TC,UNIVRSL C216</b>	1
17	<b>S216-75AR-S</b>	<b>CLAMP,216,CASING C C+</b>	1
18	<b>SX18000016</b>	<b>COLLAR,250TC/280TSC,SHAFT LC</b>	1
19	<b>216E25T-71D-SS</b>	<b>ADAPTER,250TC FRAME,SS C216/C+216</b>	1
20	<b>C216-21T-131B-S</b>	<b>GUARD,SEAL,216/316/+2116,SS C C+ 210TC</b>	1
21	<b>GX5079600</b>	<b>CAPSCRW,HX,1/4-20X1/2,18-8SS HX HD</b>	1
22	<b>SC1710H-SS</b>	<b>CAPSCRW,HX,1/2-13X1,18-8SS HX HD</b>	4
30	<b>17-122-U</b>	<b>O-RING,216,STUFF BX,BUNA C</b>	1



**Exploded View**

*Optional Items Shown in ITALICS*

Ref #	Component Item No.	Description	Qty Per
30	17-122-E	O-RING,216,STUFF BX,EPDM C	1
	17-122-V	O-RING,216,STUFF BX,VITON C	1
31	216E-83B-316	STUFFING BOX,E,216 C C+	1
32	SC1106E-SS	CAPSCRW,BH,1/4-20X1/2,18-8SS BUTTON HD	4
33	17-275-U	O-RING,216,FOLLOWER,BUNA C C+	1
	17-275-E	O-RING,216,FOLLOWER,EPDM C	1
	17-275-V	O-RING,216,FOLLOWER,VIT C	1
34	216E-17-316	FOLLOWER,E,216/+216 C C+	1
35	LWA-1300-SS	WASHER,LOCK,5/16,18-8SS	4
36	SC1308H-SS	CAPSCRW,BH,5/16-18 X1/2,18-8SS BUTTON HD	4

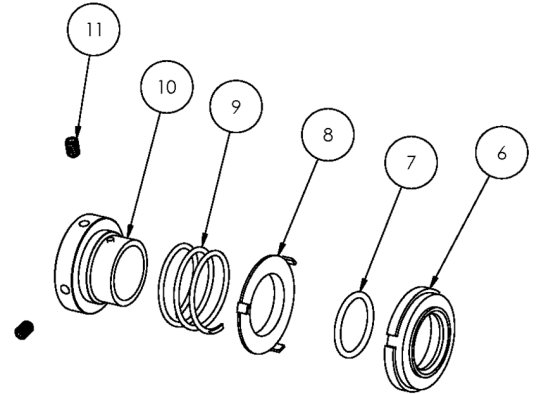
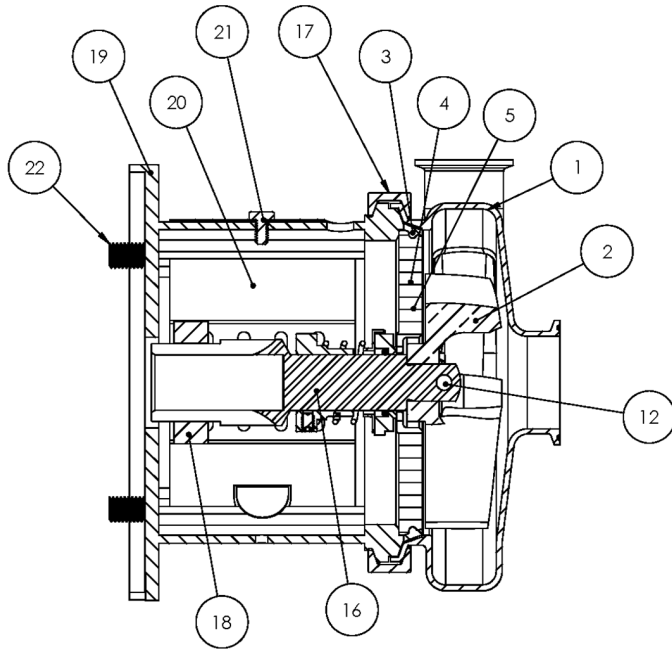


2	Impeller
15	Impeller Key
12	Impeller Nut
16	Stub Shaft
18	Shaft Collar
13	Impeller Nut Gasket
14	Impeller Gasket Back

**AC+ Conversion Kit**

*Optional Items Shown in ITALICS*

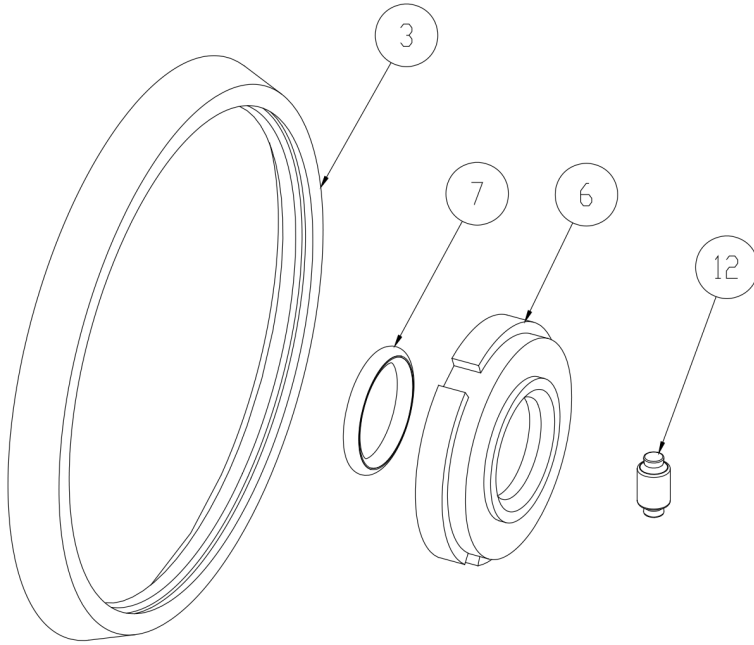
Ref #	Component Item No.	Description	Qty Per
1	<b>C+KIT-216/25</b>	<b>KIT,216,250TC,C+CONVRT,BUNA C</b>	<b>1</b>
	<i>C+KIT-216/25-E</i>	<i>KIT,216,250TC,C+CONVRT,EPDM C</i>	<i>1</i>
	<i>C+KIT-216/25-V</i>	<i>KIT,216,250TC,C+CONVRT,VIT C</i>	<i>1</i>



**Exploded View**

*Optional Items Shown in ITALICS*

Ref #	Component Item No.	Description	Qty Per
1	<b>S318M-01D-E</b>	<b>CASING,3X1-1/2,TRI-CLMP C318/C+318</b>	<b>1</b>
	<i>S318T-01C-E</i>	<i>***DO NOT USE SEE NOTE*** CASING,3X1-1/2,BVL SEAT</i>	<i>1</i>
	<i>S318MI-01C-E</i>	<i>CASING,3X1-1/2,CLMP GLASS BEAD C C+</i>	<i>1</i>
	<i>S318S-01C-E</i>	<i>CASING,3X1-1/2,NPT C318/C+318</i>	<i>1</i>
	<i>S318F-01C-E</i>	<i>CASING,3X1-1/2,FLNGD C318/C+318</i>	<i>1</i>
2	<b>S218-02C-316L</b>	<b>IMPELLER,218/318 C UNIVERSAL</b>	<b>1</b>
3	<b>S328-90A-U</b>	<b>GASKET,218/328,CASING,BUNA C C+</b>	<b>1</b>
	<i>S328-90A-E</i>	<i>GASKET,218/328,CASING,EPDM C C+</i>	<i>1</i>
	<i>S328-90A-V</i>	<i>GASKET,218/328,CASING,VIT C C+</i>	<i>1</i>
4	<b>328D-11-316</b>	<b>BACKPLATE,D,218/328,+218/+328 C C+</b>	<b>1</b>
5	<b>216D-11-1-S</b>	<b>PIN,BACKPLT,114/216/328 C C+</b>	<b>2</b>
6	<b>328E-80-1A</b>	<b>SEAL,218/328,3218,CARBON C C+</b>	<b>1</b>
7	<b>S328-80-2-U</b>	<b>O-RING,218/328,SEAL,BUNA C C+</b>	<b>1</b>
	<i>S328-80-2-E</i>	<i>O-RING,218/328,SEAL,EPDM,2-222 C C+</i>	<i>1</i>
	<i>S328-80-2-V</i>	<i>O-RING,218/328,SEAL,VIT C C+</i>	<i>1</i>
8	<b>328D-80-3P</b>	<b>CUP,D,218/318/328/428 C C+</b>	<b>1</b>
9	<b>328D-80-4</b>	<b>SPRING,D,218/328/428,+3218 C C+ DB</b>	<b>1</b>
10	<b>SP328D-23P-S</b>	<b>COLLAR,D,218/328/+3218,DRIVE C C+</b>	<b>1</b>
11	<b>SC1105A-SS</b>	<b>SCREW,SET,DRV COLLR,1/4-20X3/8 -SS</b>	<b>2</b>
12	<b>328D-24B-316L</b>	<b>RETAINER,IMPLR</b>	<b>1</b>
16	<b>C328E-14TP-06</b>	<b>STUBSHAFT,140TC C+218/328</b>	<b>1</b>
17	<b>S328-75AR-S</b>	<b>CLAMP,218/328,CASING C C+</b>	<b>1</b>
18	<b>SX18000013</b>	<b>COLLAR,56C/140TC,SHAFT L SEE ITEM NOTES</b>	<b>1</b>
19	<b>328D14T-71C-SS</b>	<b>ADAPTER,140TC FRAME,SS C218/C328/C+218/C+328</b>	<b>1</b>
20	<b>C328-14T-131-S</b>	<b>GUARD,SEAL,218/328,SS C C+ CB+</b>	<b>1</b>
21	<b>GX5079600</b>	<b>CAPSCRW,HX,1/4-20X1/2,18-8SS HX HD</b>	<b>1</b>
22	<b>GX5077100</b>	<b>CAPSCRW,HX,3/8-16X1,18-8SS HX HD</b>	<b>4</b>

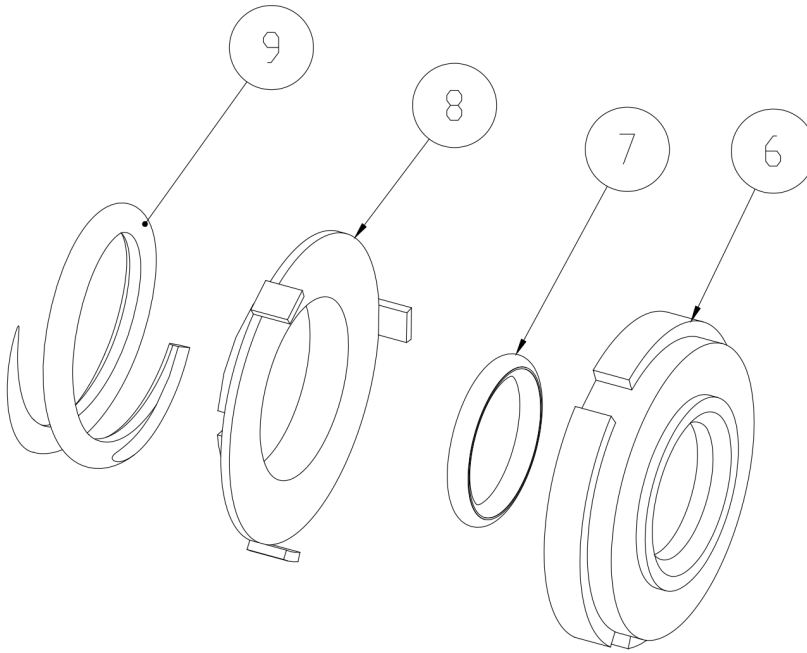


3	Casing Gasket
6	Seal Carbon
7	Seal O-Ring
12	Impeller Pin

**Seal Kit #1**

*Optional Items Shown in ITALICS*

Ref #	Component Item No.	Description	Qty Per
1	<b>KIT#1-C218-B</b>	<b>KIT,#1,218/328,SEAL,BUNA C</b>	<b>1</b>
	<i>KIT#1-C218-E</i>	<i>KIT,#1,SEAL,218/328,EPDM C</i>	<i>1</i>
	<i>KIT#1-C218-S</i>	<i>KIT,#1,SEAL,218/328,SFY,VIT C</i>	<i>1</i>

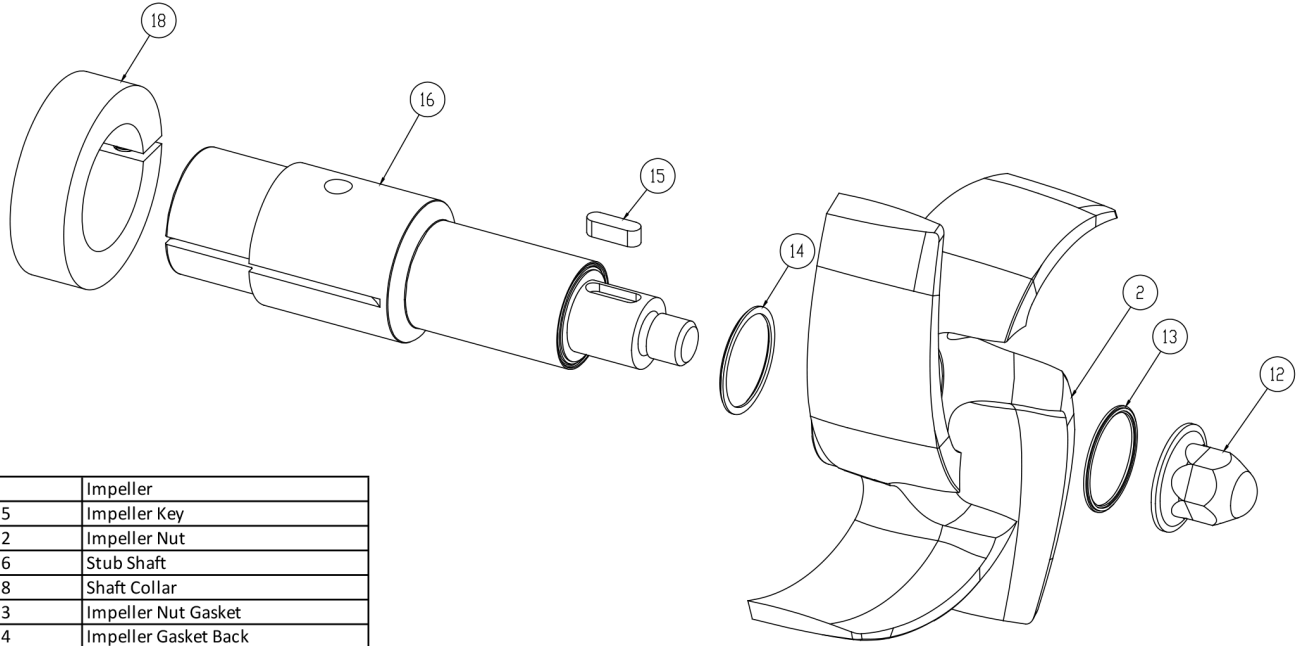


6	Seal Carbon
7	Seal O-Ring
8	Cup D Seal
9	Spring D Seal

**Seal Kit #3**

*Optional Items Shown in ITALICS*

Ref #	Component Item No.	Description	Qty Per
1	<b>KIT#3-C218-B</b>	<b>KIT,#3,218/328,SEAL,BUNA C</b>	<b>1</b>
	<i>KIT#3-C218-E</i>	<i>KIT,#3,SEAL,218/328,EPDM C</i>	<i>1</i>
	<i>KIT#3-C218-S</i>	<i>KIT,#3,SEAL,218/328,SFY,VIT C</i>	<i>1</i>

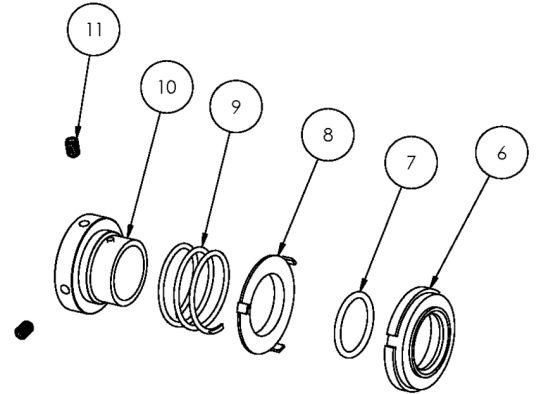
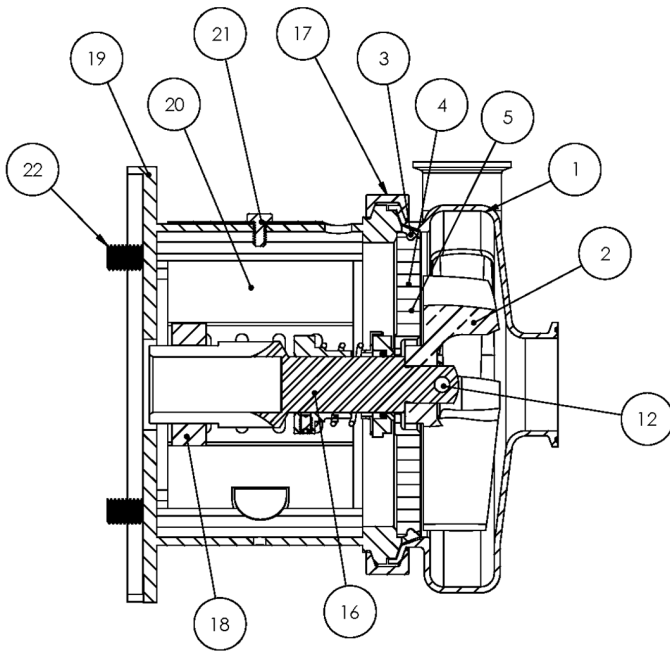


2	Impeller
15	Impeller Key
12	Impeller Nut
16	Stub Shaft
18	Shaft Collar
13	Impeller Nut Gasket
14	Impeller Gasket Back

**AC+ Conversion Kit**

*Optional Items Shown in ITALICS*

Ref #	Component Item No.	Description	Qty Per
1	<b>C+KIT-218/14</b>	<b>KIT,218,140TC,C+CONVRT,BUNA C</b>	<b>1</b>
	<i>C+KIT-218/14-E</i>	<i>KIT,218,140TC,C+CONVRT,EPDM C</i>	<i>1</i>
	<i>C+KIT-218/14-V</i>	<i>KIT,218,140TC,C+CONVRT,VIT C</i>	<i>1</i>

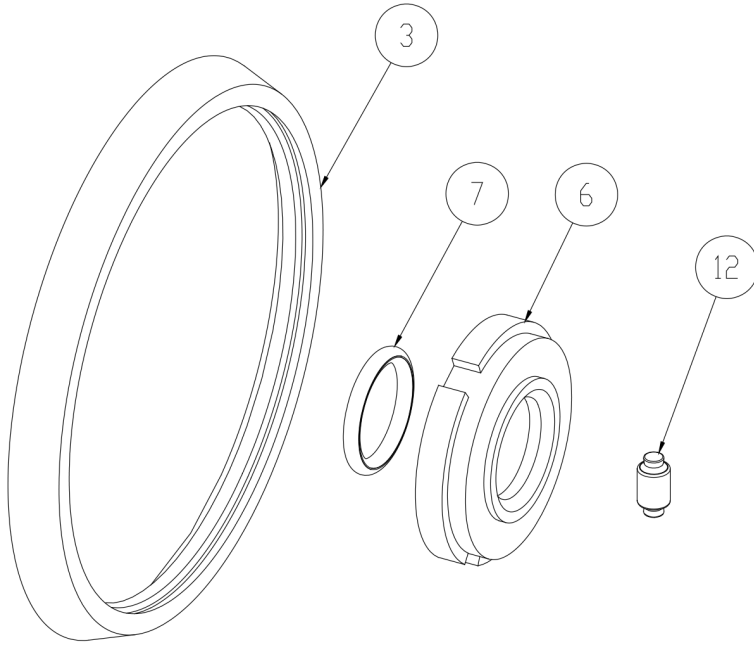


**Exploded View**

*Optional Items Shown in ITALICS*

Ref #	Component Item No.	Description	Qty Per
1	<b>S318M-01D-E</b>	<b>CASING,3X1-1/2,TRI-CLMP C318/C+318</b>	1
	<i>S318T-01C-E</i>	<i>***DO NOT USE SEE NOTE*** CASING,3X1-1/2,BVL SEAT</i>	1
	<i>S318MI-01C-E</i>	<i>CASING,3X1-1/2,CLMP GLASS BEAD C C+</i>	1
	<i>S318S-01C-E</i>	<i>CASING,3X1-1/2,NPT C318/C+318</i>	1
	<i>S318F-01C-E</i>	<i>CASING,3X1-1/2,FLNGD C318/C+318</i>	1
2	<b>S218-02C-316L</b>	<b>IMPELLER,218/318 C UNIVERSAL</b>	1
3	<b>S328-90A-U</b>	<b>GASKET,218/328,CASING,BUNA C C+</b>	1
	<i>S328-90A-E</i>	<i>GASKET,218/328,CASING,EPDM C C+</i>	1
	<i>S328-90A-V</i>	<i>GASKET,218/328,CASING,VIT C C+</i>	1
4	<b>328D-11-316</b>	<b>BACKPLATE,D,218/328,+218/+328 C C+</b>	1
5	<b>216D-11-1-S</b>	<b>PIN,BACKPLT,114/216/328 C C+</b>	2
6	<b>328E-80-1A</b>	<b>SEAL,218/328,3218,CARBON C C+</b>	1
7	<b>S328-80-2-U</b>	<b>O-RING,218/328,SEAL,BUNA C C+</b>	1
	<i>S328-80-2-E</i>	<i>O-RING,218/328,SEAL,EPDM,2-222 C C+</i>	1
	<i>S328-80-2-V</i>	<i>O-RING,218/328,SEAL,VIT C C+</i>	1
8	<b>328D-80-3P</b>	<b>CUP,D,218/318/328/428 C C+</b>	1
9	<b>328D-80-4</b>	<b>SPRING,D,218/328/428,+3218 C C+ DB</b>	1
10	<b>SP328D-23P-S</b>	<b>COLLAR,D,218/328/+3218,DRIVE C C+</b>	1
11	<b>SC1105A-SS</b>	<b>SCREW,SET,DRV COLLR,1/4-20X3/8 -SS</b>	2
12	<b>328D-24B-316L</b>	<b>RETAINER,IMPLR</b>	1
17	<b>S328-75AR-S</b>	<b>CLAMP,218/328,CASING C C+</b>	1
18	<b>SX18000014</b>	<b>COLLAR,180TC,SHAFT LC</b>	1
19	<b>328D18T-71C-SS</b>	<b>ADAPTER,180TC FRAME,SS C218/C328/C+218/C+328</b>	1
20	<b>C328-18T-131-S</b>	<b>GUARD,SEAL,21/318/328/428,SS C C+ IC+ 180TC</b>	1
21	<b>GX5079600</b>	<b>CAPSCRW,HX,1/4-20X1/2,18-8SS HX HD</b>	1
22	<b>SC1710H-SS</b>	<b>CAPSCRW,HX,1/2-13X1,18-8SS HX HD</b>	4



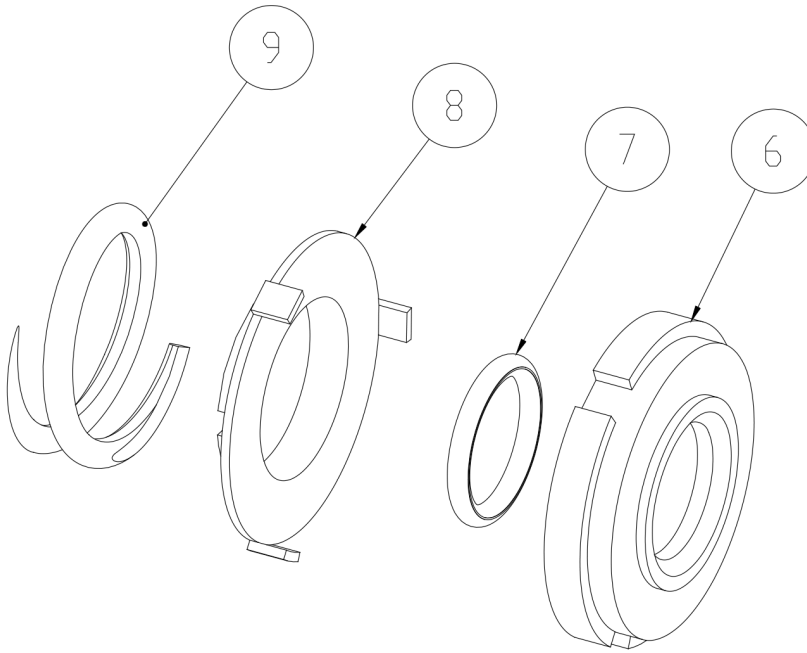


3	Casing Gasket
6	Seal Carbon
7	Seal O-Ring
12	Impeller Pin

**Seal Kit #1**

*Optional Items Shown in ITALICS*

Ref #	Component Item No.	Description	Qty Per
1	<b>KIT#1-C218-B</b>	<b>KIT,#1,218/328,SEAL,BUNA C</b>	<b>1</b>
	<i>KIT#1-C218-E</i>	<i>KIT,#1,SEAL,218/328,EPDM C</i>	<i>1</i>
	<i>KIT#1-C218-S</i>	<i>KIT,#1,SEAL,218/328,SFY,VIT C</i>	<i>1</i>

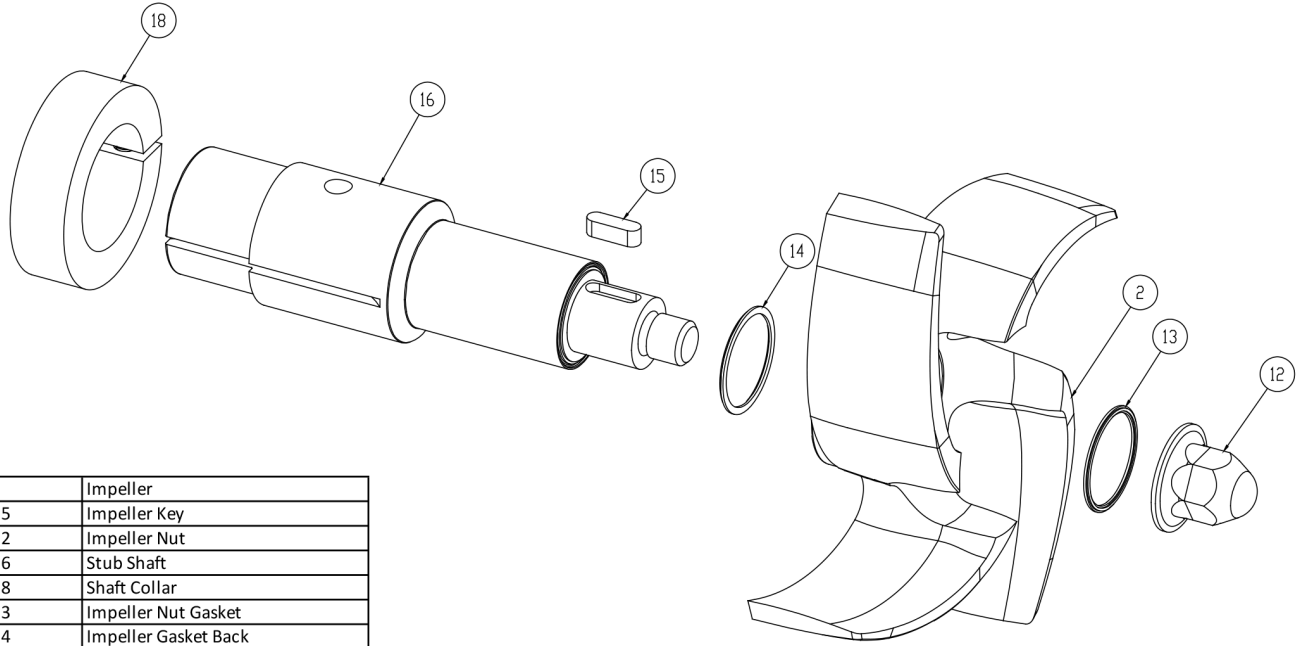


6	Seal Carbon
7	Seal O-Ring
8	Cup D Seal
9	Spring D Seal

**Seal Kit #3**

*Optional Items Shown in ITALICS*

Ref #	Component Item No.	Description	Qty Per
1	<b>KIT#3-C218-B</b>	<b>KIT,#3,218/328,SEAL,BUNA C</b>	<b>1</b>
	<i>KIT#3-C218-E</i>	<i>KIT,#3,SEAL,218/328,EPDM C</i>	<i>1</i>
	<i>KIT#3-C218-S</i>	<i>KIT,#3,SEAL,218/328,SFY,VIT C</i>	<i>1</i>

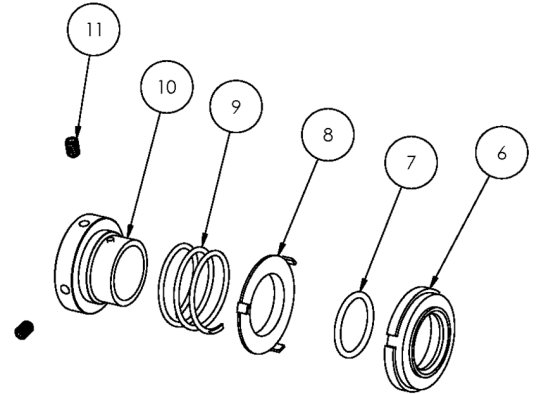
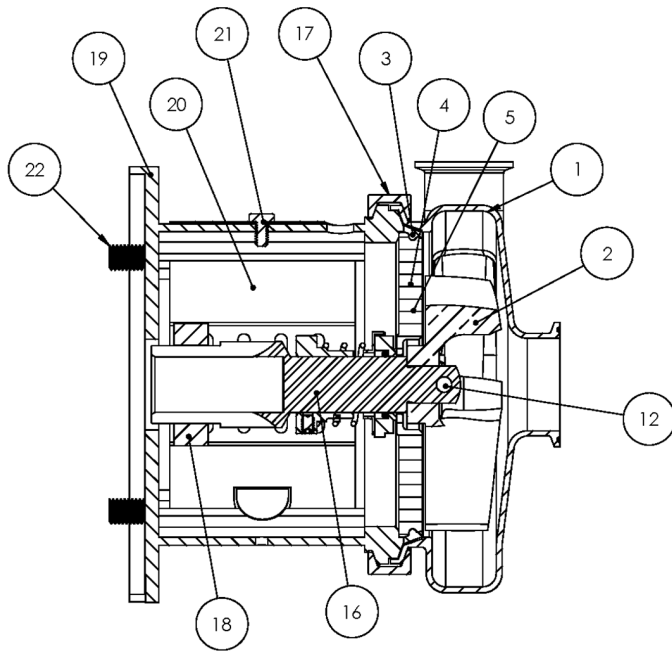


2	Impeller
15	Impeller Key
12	Impeller Nut
16	Stub Shaft
18	Shaft Collar
13	Impeller Nut Gasket
14	Impeller Gasket Back

**AC+ Conversion Kit**

*Optional Items Shown in ITALICS*

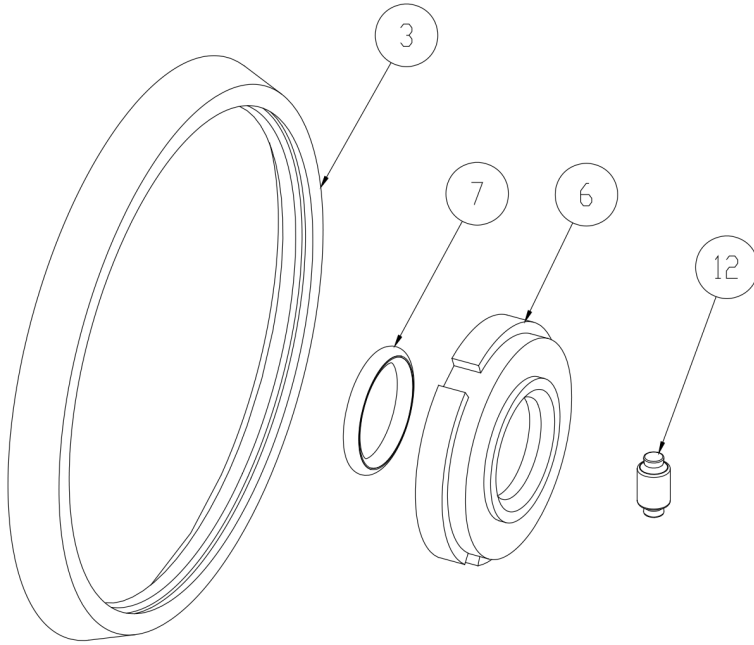
Ref #	Component Item No.	Description	Qty Per
1	<b>C+KIT-218/18</b>	<b>KIT,218,180TC,C+CONVRT,BUNA C</b>	<b>1</b>
	<i>C+KIT-218/18-E</i>	<i>KIT,218,180TC,C+CONVRT,EPDM C</i>	<i>1</i>
	<i>C+KIT-218/18-V</i>	<i>KIT,218,180TC,C+CONVRT,VIT C</i>	<i>1</i>



**Exploded View**

*Optional Items Shown in ITALICS*

Ref #	Component Item No.	Description	Qty Per
1	<b>S318M-01D-E</b>	<b>CASING,3X1-1/2,TRI-CLMP C318/C+318</b>	1
	<i>S318T-01C-E</i>	<i>***DO NOT USE SEE NOTE*** CASING,3X1-1/2,BVL SEAT</i>	1
	<i>S318MI-01C-E</i>	<i>CASING,3X1-1/2,CLMP GLASS BEAD C C+</i>	1
	<i>S318S-01C-E</i>	<i>CASING,3X1-1/2,NPT C318/C+318</i>	1
	<i>S318F-01C-E</i>	<i>CASING,3X1-1/2,FLNGD C318/C+318</i>	1
2	<b>S218-02C-316L</b>	<b>IMPELLER,218/318 C UNIVERSAL</b>	1
3	<b>S328-90A-U</b>	<b>GASKET,218/328,CASING,BUNA C C+</b>	1
	<i>S328-90A-E</i>	<i>GASKET,218/328,CASING,EPDM C C+</i>	1
	<i>S328-90A-V</i>	<i>GASKET,218/328,CASING,VIT C C+</i>	1
4	<b>328D-11-316</b>	<b>BACKPLATE,D,218/328,+218/+328 C C+</b>	1
5	<b>216D-11-1-S</b>	<b>PIN,BACKPLT,114/216/328 C C+</b>	2
6	<b>328E-80-1A</b>	<b>SEAL,218/328,3218,CARBON C C+</b>	1
7	<b>S328-80-2-U</b>	<b>O-RING,218/328,SEAL,BUNA C C+</b>	1
	<i>S328-80-2-E</i>	<i>O-RING,218/328,SEAL,EPDM,2-222 C C+</i>	1
	<i>S328-80-2-V</i>	<i>O-RING,218/328,SEAL,VIT C C+</i>	1
8	<b>328D-80-3P</b>	<b>CUP,D,218/318/328/428 C C+</b>	1
9	<b>328D-80-4</b>	<b>SPRING,D,218/328/428,+3218 C C+ DB</b>	1
10	<b>SP328D-23P-S</b>	<b>COLLAR,D,218/328/+3218,DRIVE C C+</b>	1
11	<b>SC1105A-SS</b>	<b>SCREW,SET,DRV COLLR,1/4-20X3/8 -SS</b>	2
12	<b>328D-24B-316L</b>	<b>RETAINER,IMPLR</b>	1
16	<b>CS328E21T-06</b>	<b>STUBSHAFT,210TC,UNIVRSL C218/C328</b>	1
17	<b>S328-75AR-S</b>	<b>CLAMP,218/328,CASING C C+</b>	1
18	<b>SX18000015</b>	<b>COLLAR,210TC,SHAFT LC</b>	1
19	<b>328D21T-71C-SS</b>	<b>ADAPTER,210TC FRAME,SS C218/C328/C+218/C+328</b>	1
20	<b>C328-21T-131-S</b>	<b>GUARD,SEAL,218/318/328/428,SS C C+ CB+ 210TC</b>	1
21	<b>GX5079600</b>	<b>CAPSCRW,HX,1/4-20X1/2,18-8SS HX HD</b>	1
22	<b>SC1710H-SS</b>	<b>CAPSCRW,HX,1/2-13X1,18-8SS HX HD</b>	4

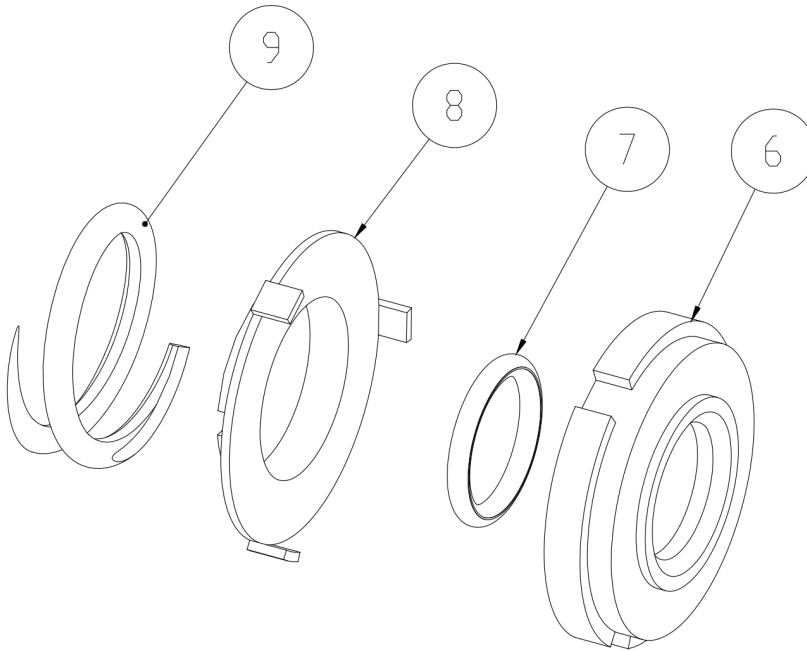


3	Casing Gasket
6	Seal Carbon
7	Seal O-Ring
12	Impeller Pin

**Seal Kit #1**

*Optional Items Shown in ITALICS*

Ref #	Component Item No.	Description	Qty Per
1	<b>KIT#1-C218-B</b>	<b>KIT,#1,218/328,SEAL,BUNA C</b>	<b>1</b>
	<i>KIT#1-C218-E</i>	<i>KIT,#1,SEAL,218/328,EPDM C</i>	<i>1</i>
	<i>KIT#1-C218-S</i>	<i>KIT,#1,SEAL,218/328,SFY,VIT C</i>	<i>1</i>

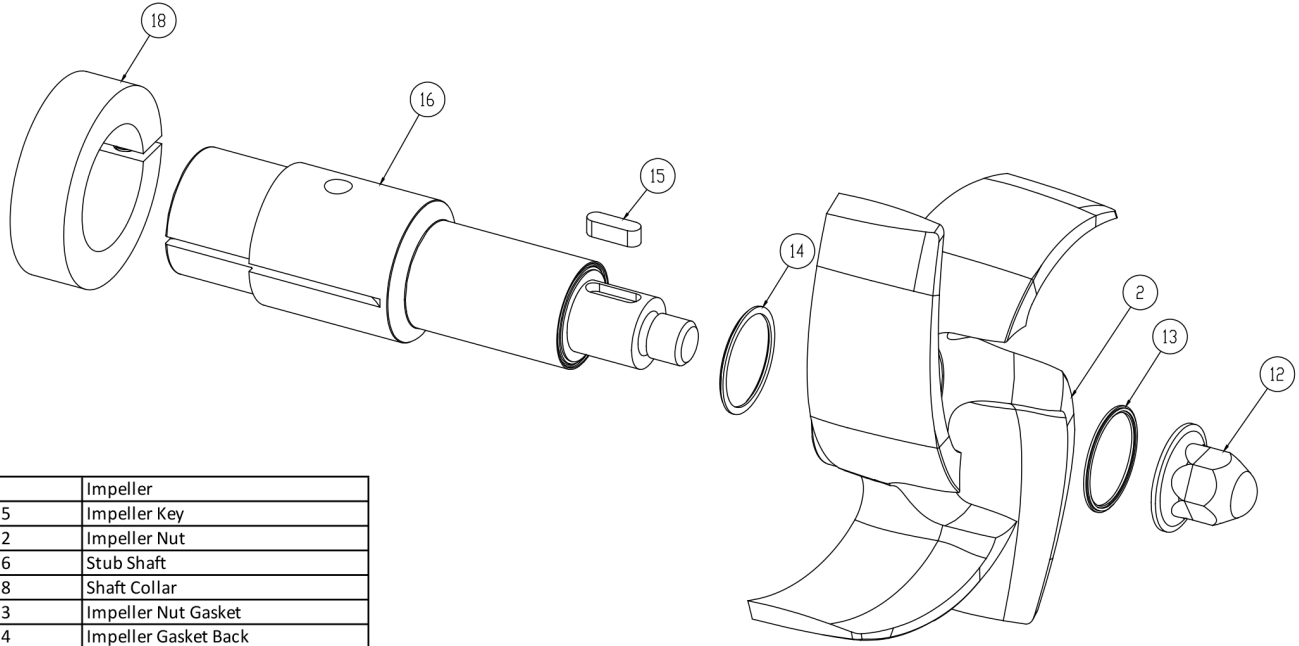


6	Seal Carbon
7	Seal O-Ring
8	Cup D Seal
9	Spring D Seal

**Seal Kit #3**

*Optional Items Shown in ITALICS*

Ref #	Component Item No.	Description	Qty Per
1	<b>KIT#3-C218-B</b>	<b>KIT,#3,218/328,SEAL,BUNA C</b>	<b>1</b>
	<i>KIT#3-C218-E</i>	<i>KIT,#3,SEAL,218/328,EPDM C</i>	<i>1</i>
	<i>KIT#3-C218-S</i>	<i>KIT,#3,SEAL,218/328,SFY,VIT C</i>	<i>1</i>

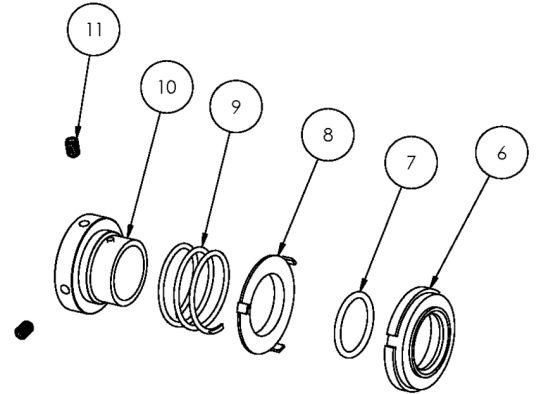
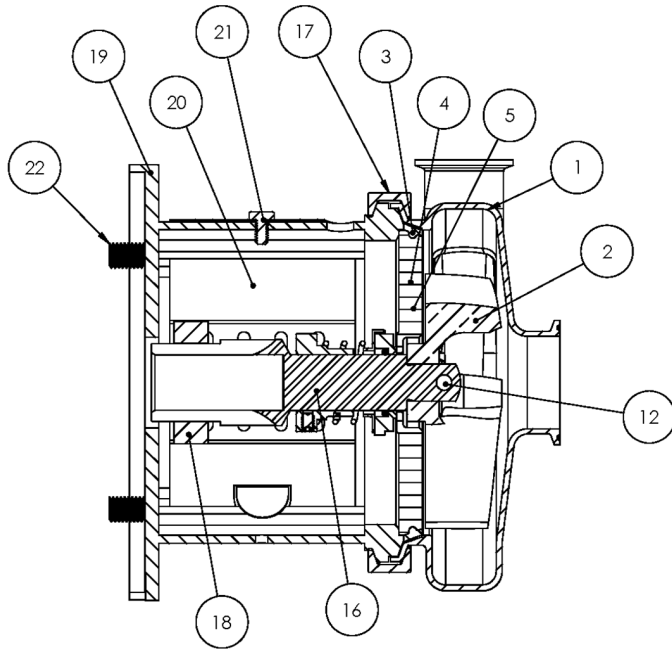


2	Impeller
15	Impeller Key
12	Impeller Nut
16	Stub Shaft
18	Shaft Collar
13	Impeller Nut Gasket
14	Impeller Gasket Back

**AC+ Conversion Kit**

*Optional Items Shown in ITALICS*

Ref #	Component Item No.	Description	Qty Per
1	<b>C+KIT-218/21</b>	<b>KIT,218,210TC,C+CONVRT,BUNA C</b>	<b>1</b>
	<i>C+KIT-218/21-E</i>	<i>KIT,218,210TC,C+CONVRT,EPDM C</i>	<i>1</i>
	<i>C+KIT-218/21-V</i>	<i>KIT,218,210TC,C+CONVRT,VIT C</i>	<i>1</i>

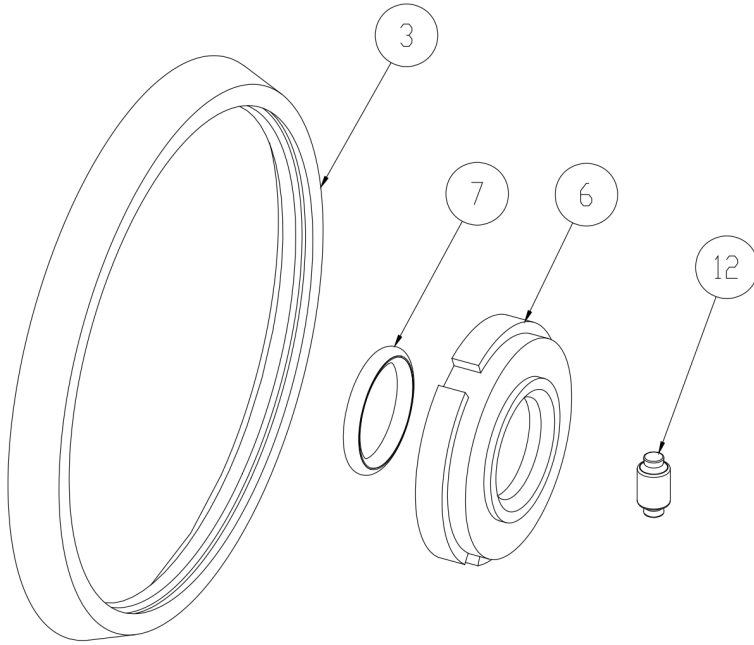


**Exploded View**

*Optional Items Shown in ITALICS*

Ref #	Component Item No.	Description	Qty Per
1	<b>S318M-01D-E</b>	<b>CASING,3X1-1/2,TRI-CLMP C318/C+318</b>	<b>1</b>
	<i>S318T-01C-E</i>	<i>***DO NOT USE SEE NOTE*** CASING,3X1-1/2,BVL SEAT</i>	<i>1</i>
	<i>S318MI-01C-E</i>	<i>CASING,3X1-1/2,CLMP GLASS BEAD C C+</i>	<i>1</i>
	<i>S318S-01C-E</i>	<i>CASING,3X1-1/2,NPT C318/C+318</i>	<i>1</i>
	<i>S318F-01C-E</i>	<i>CASING,3X1-1/2,FLNGD C318/C+318</i>	<i>1</i>
2	<b>S218-02C-316L</b>	<b>IMPELLER,218/318 C UNIVERSAL</b>	<b>1</b>
3	<b>S328-90A-U</b>	<b>GASKET,218/328,CASING,BUNA C C+</b>	<b>1</b>
	<i>S328-90A-E</i>	<i>GASKET,218/328,CASING,EPDM C C+</i>	<i>1</i>
	<i>S328-90A-V</i>	<i>GASKET,218/328,CASING,VIT C C+</i>	<i>1</i>
4	<b>328D-11-316</b>	<b>BACKPLATE,D,218/328,+218/+328 C C+</b>	<b>1</b>
5	<b>216D-11-1-S</b>	<b>PIN,BACKPLT,114/216/328 C C+</b>	<b>2</b>
6	<b>328E-80-1A</b>	<b>SEAL,218/328,3218,CARBON C C+</b>	<b>1</b>
7	<b>S328-80-2-U</b>	<b>O-RING,218/328,SEAL,BUNA C C+</b>	<b>1</b>
	<i>S328-80-2-E</i>	<i>O-RING,218/328,SEAL,EPDM,2-222 C C+</i>	<i>1</i>
	<i>S328-80-2-V</i>	<i>O-RING,218/328,SEAL,VIT C C+</i>	<i>1</i>
8	<b>328D-80-3P</b>	<b>CUP,D,218/318/328/428 C C+</b>	<b>1</b>
9	<b>328D-80-4</b>	<b>SPRING,D,218/328/428,+3218 C C+ DB</b>	<b>1</b>
10	<b>SP328D-23P-S</b>	<b>COLLAR,D,218/328/+3218,DRIVE C C+</b>	<b>1</b>
11	<b>SC1105A-SS</b>	<b>SCREW,SET,DRV COLLR,1/4-20X3/8 -SS</b>	<b>2</b>
12	<b>328D-24B-316L</b>	<b>RETAINER,IMPLR</b>	<b>1</b>
16	<b>CS328E25T-06</b>	<b>STUBSHAFT,250TC,UNIVRSL C218/C328</b>	<b>1</b>
17	<b>S328-75AR-S</b>	<b>CLAMP,218/328,CASING C C+</b>	<b>1</b>
18	<b>SX18000016</b>	<b>COLLAR,250TC/280TSC,SHAFT LC</b>	<b>1</b>
19	<b>328D25T-71C-SS</b>	<b>ADAPTER,250TC FRAME,SS C218/C328/C+218/C+328</b>	<b>1</b>
20	<b>C328-25T-131-S</b>	<b>GUARD,SEAL,218/328/428,SS C C+ CB+ 250TC</b>	<b>1</b>
21	<b>GX5079600</b>	<b>CAPSCRW,HX,1/4-20X1/2,18-8SS HX HD</b>	<b>1</b>
22	<b>SC1710H-SS</b>	<b>CAPSCRW,HX,1/2-13X1,18-8SS HX HD</b>	<b>4</b>



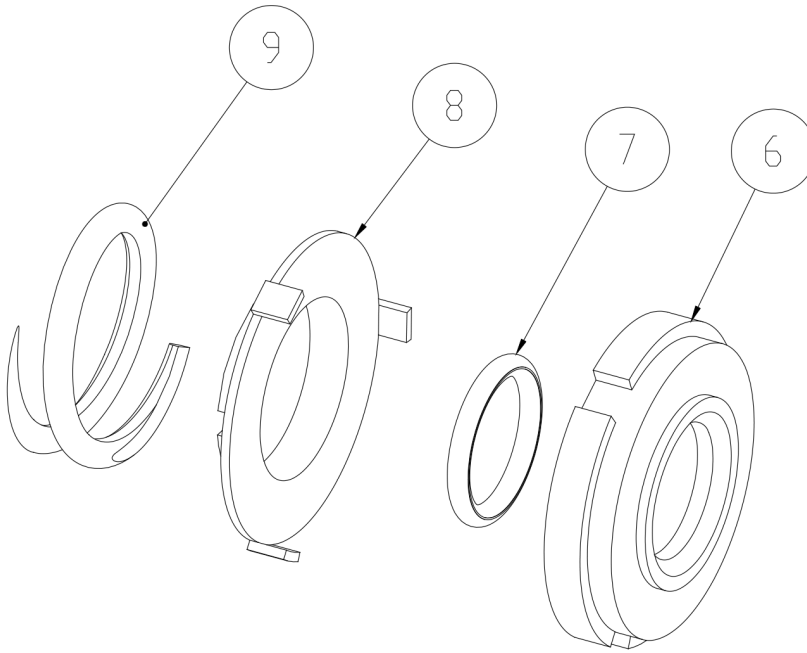


3	Casing Gasket
6	Seal Carbon
7	Seal O-Ring
12	Impeller Pin

**Seal Kit #1**

*Optional Items Shown in ITALICS*

Ref #	Component Item No.	Description	Qty Per
1	<b>KIT#1-C218-B</b>	<b>KIT,#1,218/328,SEAL,BUNA C</b>	<b>1</b>
	<i>KIT#1-C218-E</i>	<i>KIT,#1,SEAL,218/328,EPDM C</i>	<i>1</i>
	<i>KIT#1-C218-S</i>	<i>KIT,#1,SEAL,218/328,SFY,VIT C</i>	<i>1</i>

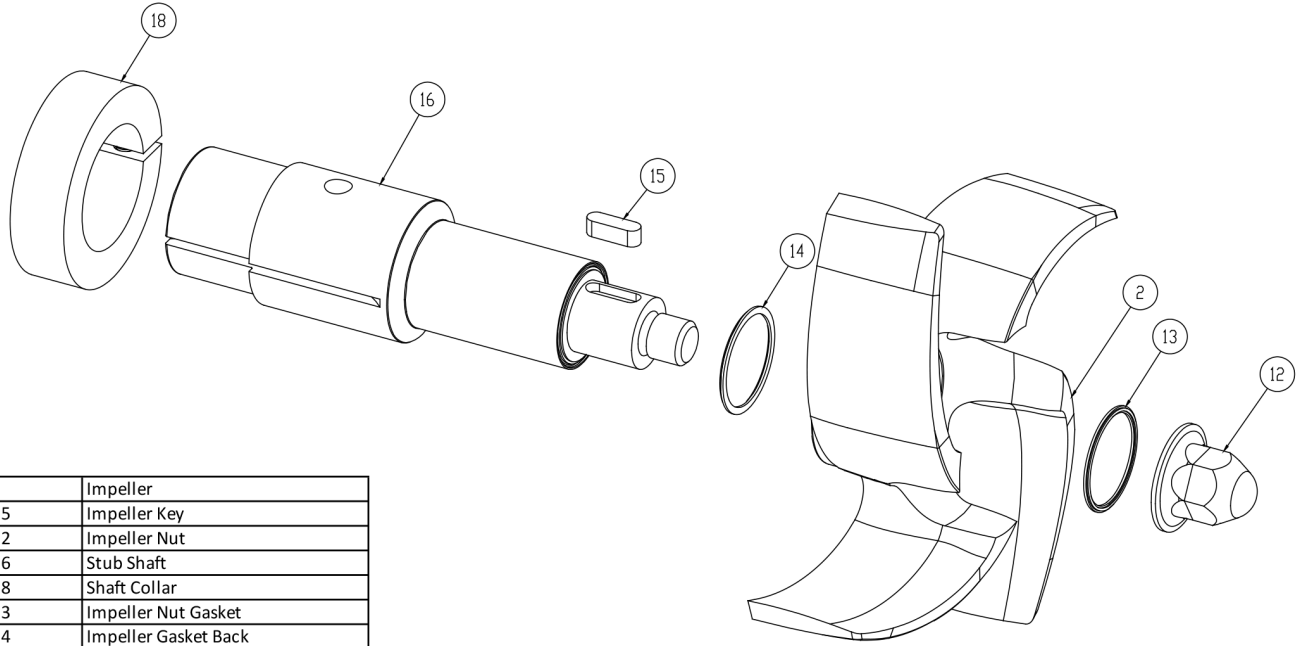


6	Seal Carbon
7	Seal O-Ring
8	Cup D Seal
9	Spring D Seal

**Seal Kit #3**

*Optional Items Shown in ITALICS*

Ref #	Component Item No.	Description	Qty Per
1	<b>KIT#3-C218-B</b>	<b>KIT,#3,218/328,SEAL,BUNA C</b>	<b>1</b>
	<i>KIT#3-C218-E</i>	<i>KIT,#3,SEAL,218/328,EPDM C</i>	<i>1</i>
	<i>KIT#3-C218-S</i>	<i>KIT,#3,SEAL,218/328,SFY,VIT C</i>	<i>1</i>

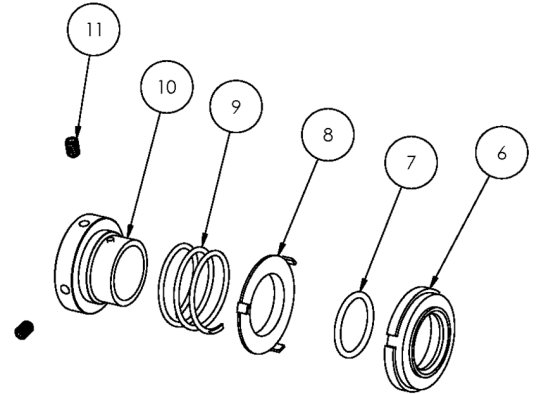
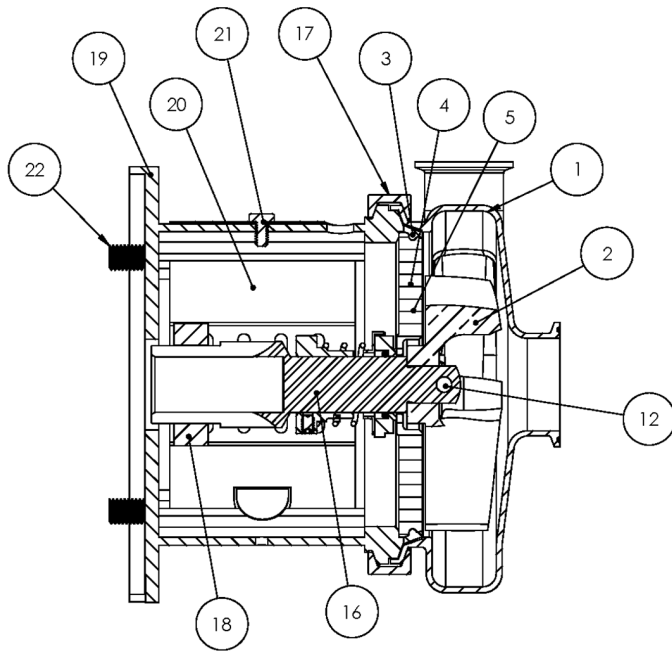


2	Impeller
15	Impeller Key
12	Impeller Nut
16	Stub Shaft
18	Shaft Collar
13	Impeller Nut Gasket
14	Impeller Gasket Back

**AC+ Conversion Kit**

*Optional Items Shown in ITALICS*

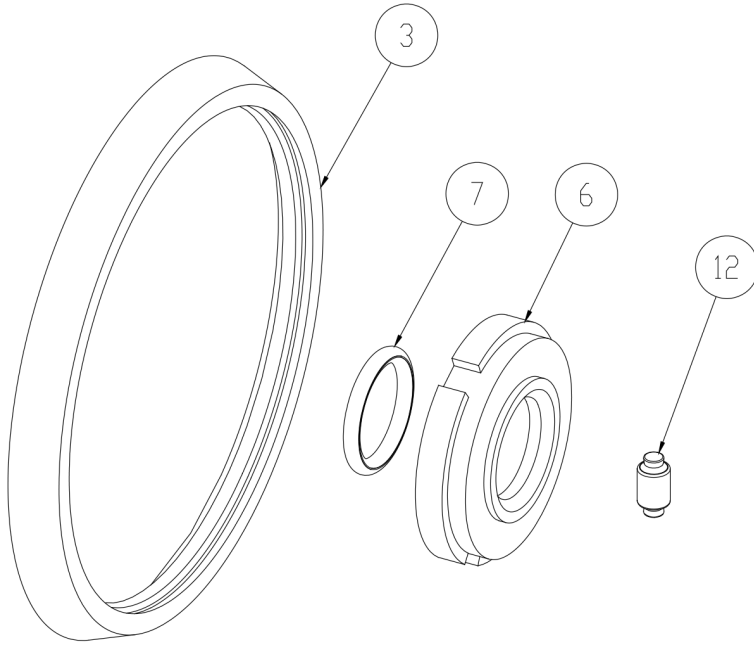
Ref #	Component Item No.	Description	Qty Per
1	<b>C+KIT-218/25</b>	<b>KIT,218,250TC,C+CONVRT,BUNA C</b>	<b>1</b>
	<i>C+KIT-218/25-E</i>	<i>KIT,218,250TC,C+CONVRT,EPDM C</i>	<i>1</i>
	<i>C+KIT-218/25-V</i>	<i>KIT,218,250TC,C+CONVRT,VIT C</i>	<i>1</i>



**Exploded View**

*Optional Items Shown in ITALICS*

Ref #	Component Item No.	Description	Qty Per
1	<b>S318M-01D-E</b>	<b>CASING,3X1-1/2,TRI-CLMP C318/C+318</b>	<b>1</b>
	<i>S318T-01C-E</i>	<i>***DO NOT USE SEE NOTE*** CASING,3X1-1/2,BVL SEAT</i>	<i>1</i>
	<i>S318MI-01C-E</i>	<i>CASING,3X1-1/2,CLMP GLASS BEAD C C+</i>	<i>1</i>
	<i>S318S-01C-E</i>	<i>CASING,3X1-1/2,NPT C318/C+318</i>	<i>1</i>
	<i>S318F-01C-E</i>	<i>CASING,3X1-1/2,FLNGD C318/C+318</i>	<i>1</i>
2	<b>S218-02C-316L</b>	<b>IMPELLER,218/318 C UNIVERSAL</b>	<b>1</b>
3	<b>S328-90A-U</b>	<b>GASKET,218/328,CASING,BUNA C C+</b>	<b>1</b>
	<i>S328-90A-E</i>	<i>GASKET,218/328,CASING,EPDM C C+</i>	<i>1</i>
	<i>S328-90A-V</i>	<i>GASKET,218/328,CASING,VIT C C+</i>	<i>1</i>
4	<b>328D-11-316</b>	<b>BACKPLATE,D,218/328,+218/+328 C C+</b>	<b>1</b>
5	<b>216D-11-1-S</b>	<b>PIN,BACKPLT,114/216/328 C C+</b>	<b>2</b>
6	<b>328E-80-1A</b>	<b>SEAL,218/328,3218,CARBON C C+</b>	<b>1</b>
7	<b>S328-80-2-U</b>	<b>O-RING,218/328,SEAL,BUNA C C+</b>	<b>1</b>
	<i>S328-80-2-E</i>	<i>O-RING,218/328,SEAL,EPDM,2-222 C C+</i>	<i>1</i>
	<i>S328-80-2-V</i>	<i>O-RING,218/328,SEAL,VIT C C+</i>	<i>1</i>
8	<b>328D-80-3P</b>	<b>CUP,D,218/318/328/428 C C+</b>	<b>1</b>
9	<b>328D-80-4</b>	<b>SPRING,D,218/328/428,+3218 C C+ DB</b>	<b>1</b>
10	<b>SP328D-23P-S</b>	<b>COLLAR,D,218/328/+3218,DRIVE C C+</b>	<b>1</b>
11	<b>SC1105A-SS</b>	<b>SCREW,SET,DRV COLLR,1/4-20X3/8 -SS</b>	<b>2</b>
12	<b>328D-24B-316L</b>	<b>RETAINER,IMPLR</b>	<b>1</b>
16	<b>CS328E28T-06</b>	<b>STUBSHAFT,280TC,UNIVRSL C218/C328</b>	<b>1</b>
17	<b>S328-75AR-S</b>	<b>CLAMP,218/328,CASING C C+</b>	<b>1</b>
18	<b>SX18000027</b>	<b>COLLAR,280TC/320TSC,SHAFT LC</b>	<b>1</b>
19	<b>328D28T-71C-SS</b>	<b>ADAPTER,280TC/TSC FRAME,SS C218/C328/C+218/C+328</b>	<b>1</b>
20	<b>C328-28T-131-S</b>	<b>GUARD,SEAL,218/328/428/4410,SS C C+</b>	<b>1</b>
21	<b>GX5079600</b>	<b>CAPSCRW,HX,1/4-20X1/2,18-8SS HX HD</b>	<b>1</b>
22	<b>SC1710H-SS</b>	<b>CAPSCRW,HX,1/2-13X1,18-8SS HX HD</b>	<b>4</b>

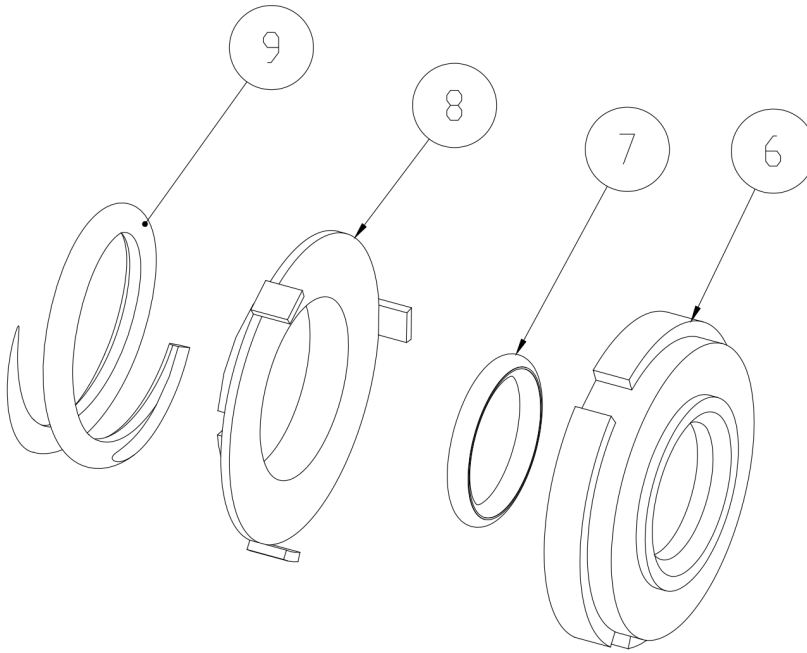


3	Casing Gasket
6	Seal Carbon
7	Seal O-Ring
12	Impeller Pin

**Seal Kit #1**

*Optional Items Shown in ITALICS*

Ref #	Component Item No.	Description	Qty Per
1	<b>KIT#1-C218-B</b>	<b>KIT,#1,218/328,SEAL,BUNA C</b>	<b>1</b>
	<i>KIT#1-C218-E</i>	<i>KIT,#1,SEAL,218/328,EPDM C</i>	<i>1</i>
	<i>KIT#1-C218-S</i>	<i>KIT,#1,SEAL,218/328,SFY,VIT C</i>	<i>1</i>

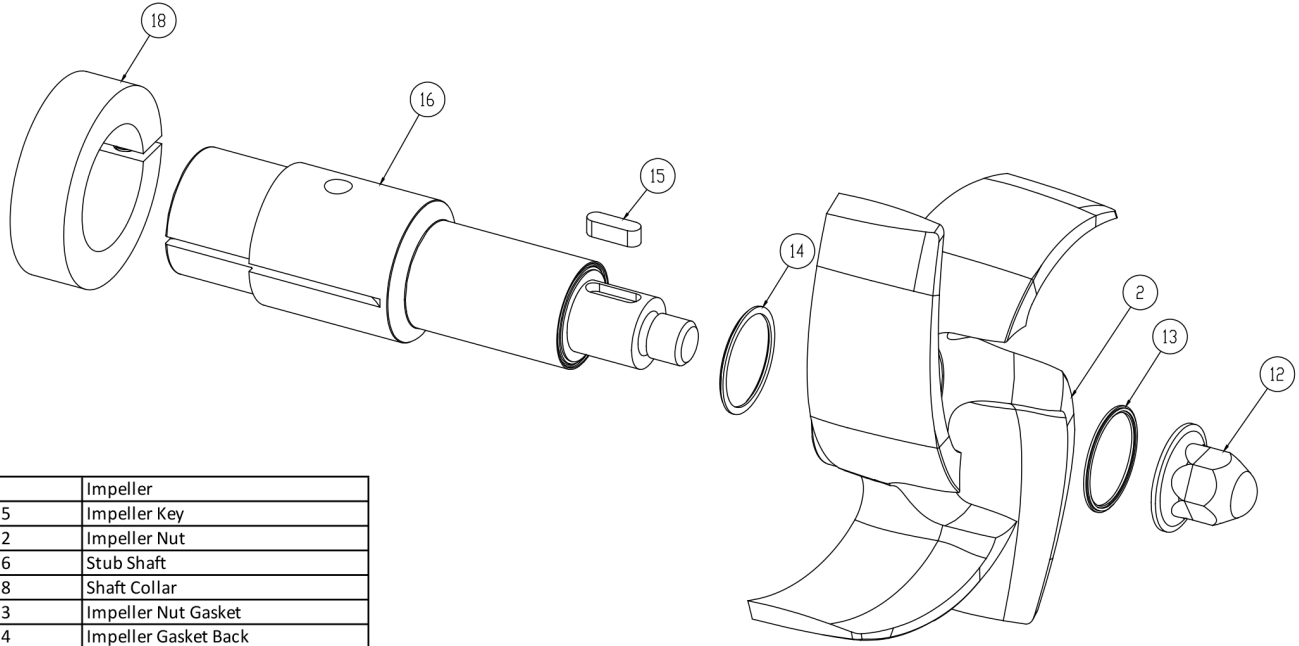


6	Seal Carbon
7	Seal O-Ring
8	Cup D Seal
9	Spring D Seal

**Seal Kit #3**

*Optional Items Shown in ITALICS*

Ref #	Component Item No.	Description	Qty Per
1	<b>KIT#3-C218-B</b>	<b>KIT,#3,218/328,SEAL,BUNA C</b>	<b>1</b>
	<i>KIT#3-C218-E</i>	<i>KIT,#3,SEAL,218/328,EPDM C</i>	<i>1</i>
	<i>KIT#3-C218-S</i>	<i>KIT,#3,SEAL,218/328,SFY,VIT C</i>	<i>1</i>

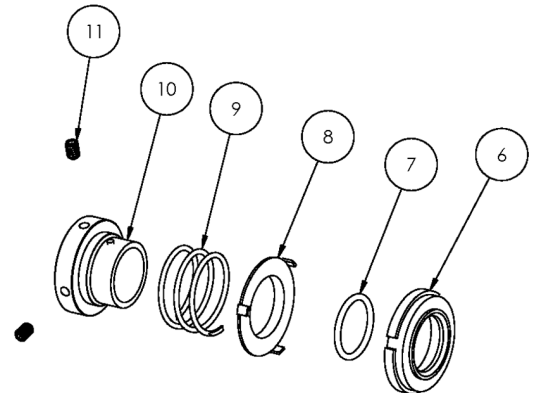
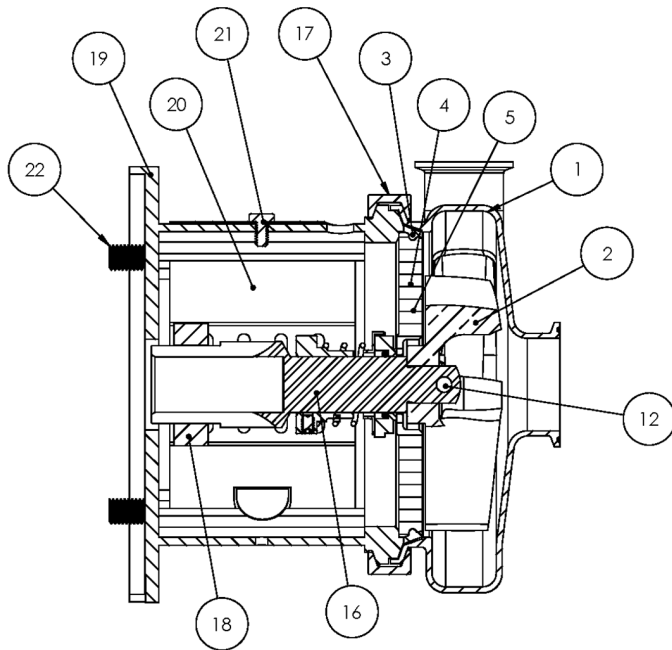


2	Impeller
15	Impeller Key
12	Impeller Nut
16	Stub Shaft
18	Shaft Collar
13	Impeller Nut Gasket
14	Impeller Gasket Back

**AC+ Conversion Kit**

*Optional Items Shown in ITALICS*

Ref #	Component Item No.	Description	Qty Per
1	<b>C+KIT-218/28</b>	<b>KIT,218,280TC,C+CONVRT,BUNA C</b>	<b>1</b>
	<i>C+KIT-218/28-E</i>	<i>KIT,218,280TC,C+CONVRT,EPDM C</i>	<i>1</i>
	<i>C+KIT-218/28-V</i>	<i>KIT,218,280TC,C+CONVRT,VIT C</i>	<i>1</i>

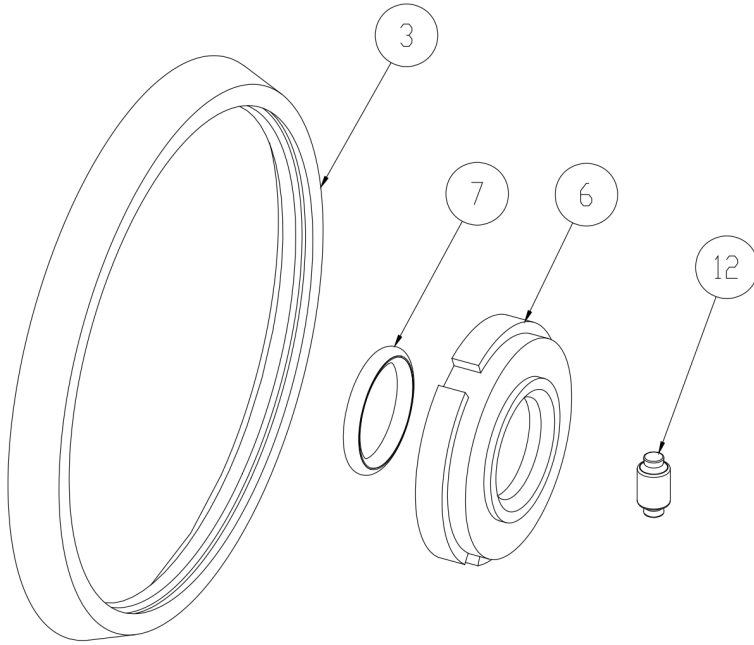


**Exploded View**

*Optional Items Shown in ITALICS*

Ref #	Component Item No.	Description	Qty Per
1	<b>S318M-01D-E</b>	<b>CASING,3X1-1/2,TRI-CLMP C318/C+318</b>	<b>1</b>
	<i>S318T-01C-E</i>	<i>***DO NOT USE SEE NOTE*** CASING,3X1-1/2,BVL SEAT</i>	<i>1</i>
	<i>S318MI-01C-E</i>	<i>CASING,3X1-1/2,CLMP GLASS BEAD C C+</i>	<i>1</i>
	<i>S318S-01C-E</i>	<i>CASING,3X1-1/2,NPT C318/C+318</i>	<i>1</i>
	<i>S318F-01C-E</i>	<i>CASING,3X1-1/2,FLNGD C318/C+318</i>	<i>1</i>
2	<b>S218-02C-316L</b>	<b>IMPELLER,218/318 C UNIVERSAL</b>	<b>1</b>
3	<b>S328-90A-U</b>	<b>GASKET,218/328,CASING,BUNA C C+</b>	<b>1</b>
	<i>S328-90A-E</i>	<i>GASKET,218/328,CASING,EPDM C C+</i>	<i>1</i>
	<i>S328-90A-V</i>	<i>GASKET,218/328,CASING,VIT C C+</i>	<i>1</i>
4	<b>328D-11-316</b>	<b>BACKPLATE,D,218/328,+218/+328 C C+</b>	<b>1</b>
5	<b>216D-11-1-S</b>	<b>PIN,BACKPLT,114/216/328 C C+</b>	<b>2</b>
6	<b>328E-80-1A</b>	<b>SEAL,218/328,3218,CARBON C C+</b>	<b>1</b>
7	<b>S328-80-2-U</b>	<b>O-RING,218/328,SEAL,BUNA C C+</b>	<b>1</b>
	<i>S328-80-2-E</i>	<i>O-RING,218/328,SEAL,EPDM,2-222 C C+</i>	<i>1</i>
	<i>S328-80-2-V</i>	<i>O-RING,218/328,SEAL,VIT C C+</i>	<i>1</i>
8	<b>328D-80-3P</b>	<b>CUP,D,218/318/328/428 C C+</b>	<b>1</b>
9	<b>328D-80-4</b>	<b>SPRING,D,218/328/428,+3218 C C+ DB</b>	<b>1</b>
10	<b>SP328D-23P-S</b>	<b>COLLAR,D,218/328/+3218,DRIVE C C+</b>	<b>1</b>
11	<b>SC1105A-SS</b>	<b>SCREW,SET,DRV COLLR,1/4-20X3/8 -SS</b>	<b>2</b>
12	<b>328D-24B-316L</b>	<b>RETAINER,IMPLR</b>	<b>1</b>
16	<b>CS328E28TS-06</b>	<b>STUBSHAFT,280TSC,UNIVRSL C218/C328</b>	<b>1</b>
17	<b>S328-75AR-S</b>	<b>CLAMP,218/328,CASING C C+</b>	<b>1</b>
18	<b>SX18000035</b>	<b>COLLAR,250TC/280TSC,SHAFT LC</b>	<b>1</b>
19	<b>328D28T-71C-SS</b>	<b>ADAPTER,280TC/TSC FRAME,SS C218/C328/C+218/C+328</b>	<b>1</b>
20	<b>C328-28T-131-S</b>	<b>GUARD,SEAL,218/328/428/4410,SS C C+</b>	<b>1</b>
21	<b>GX5079600</b>	<b>CAPSCRW,HX,1/4-20X1/2,18-8SS HX HD</b>	<b>1</b>
22	<b>SC1710H-SS</b>	<b>CAPSCRW,HX,1/2-13X1,18-8SS HX HD</b>	<b>4</b>



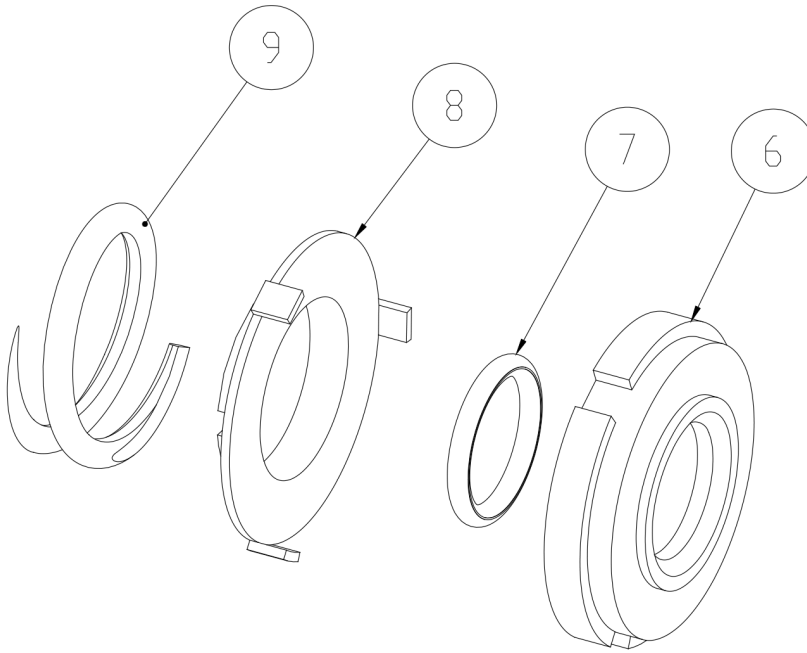


3	Casing Gasket
6	Seal Carbon
7	Seal O-Ring
12	Impeller Pin

**Seal Kit #1**

*Optional Items Shown in ITALICS*

Ref #	Component Item No.	Description	Qty Per
1	<b>KIT#1-C218-B</b>	<b>KIT,#1,218/328,SEAL,BUNA C</b>	<b>1</b>
	<i>KIT#1-C218-E</i>	<i>KIT,#1,SEAL,218/328,EPDM C</i>	<i>1</i>
	<i>KIT#1-C218-S</i>	<i>KIT,#1,SEAL,218/328,SFY,VIT C</i>	<i>1</i>

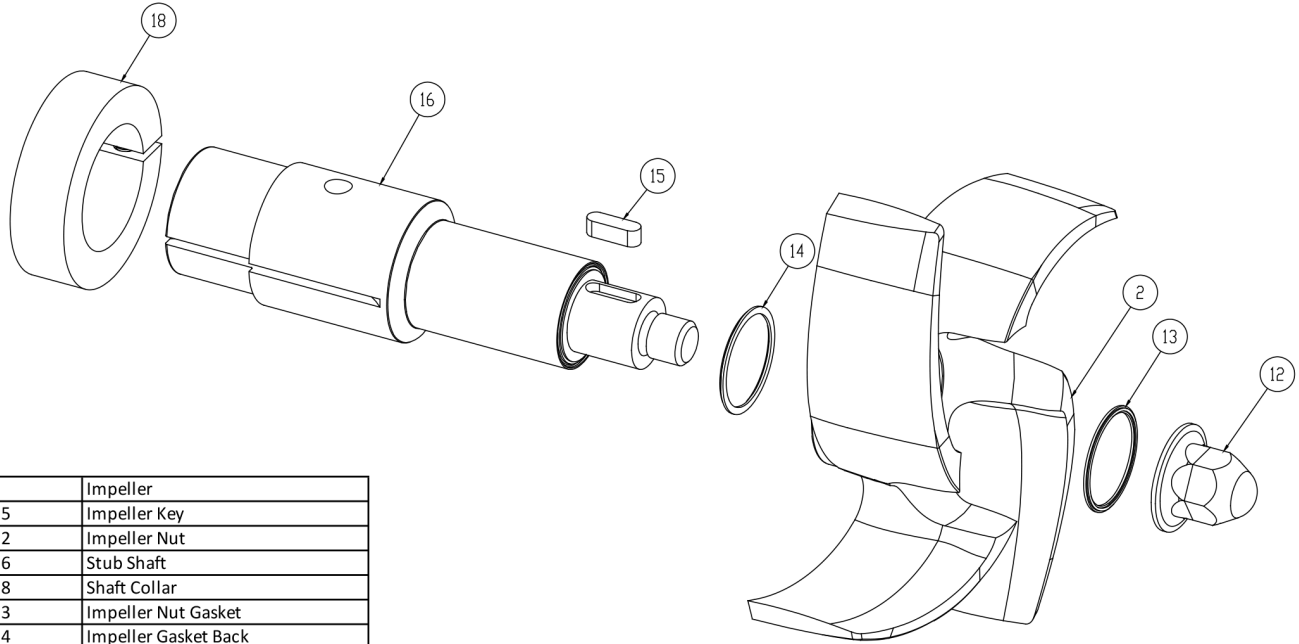


6	Seal Carbon
7	Seal O-Ring
8	Cup D Seal
9	Spring D Seal

**Seal Kit #3**

*Optional Items Shown in ITALICS*

Ref #	Component Item No.	Description	Qty Per
1	<b>KIT#3-C218-B</b>	<b>KIT,#3,218/328,SEAL,BUNA C</b>	<b>1</b>
	<i>KIT#3-C218-E</i>	<i>KIT,#3,SEAL,218/328,EPDM C</i>	<i>1</i>
	<i>KIT#3-C218-S</i>	<i>KIT,#3,SEAL,218/328,SFY,VIT C</i>	<i>1</i>

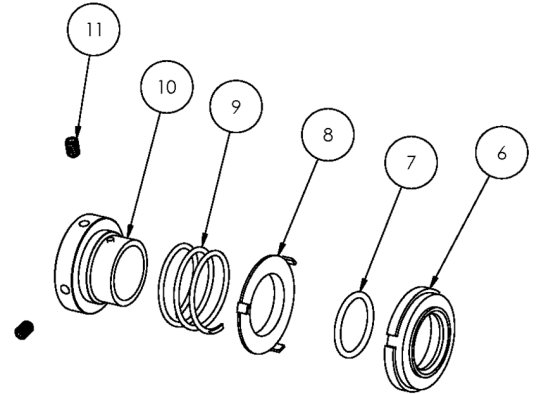
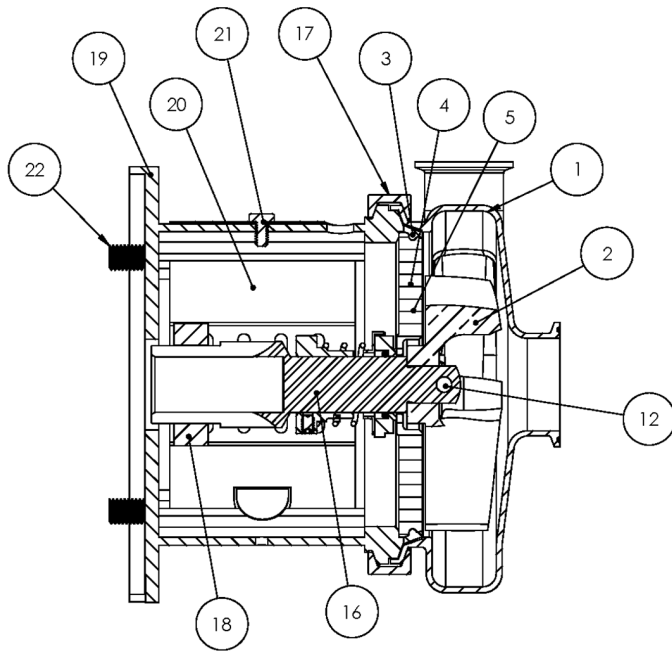


2	Impeller
15	Impeller Key
12	Impeller Nut
16	Stub Shaft
18	Shaft Collar
13	Impeller Nut Gasket
14	Impeller Gasket Back

**AC+ Conversion Kit**

*Optional Items Shown in ITALICS*

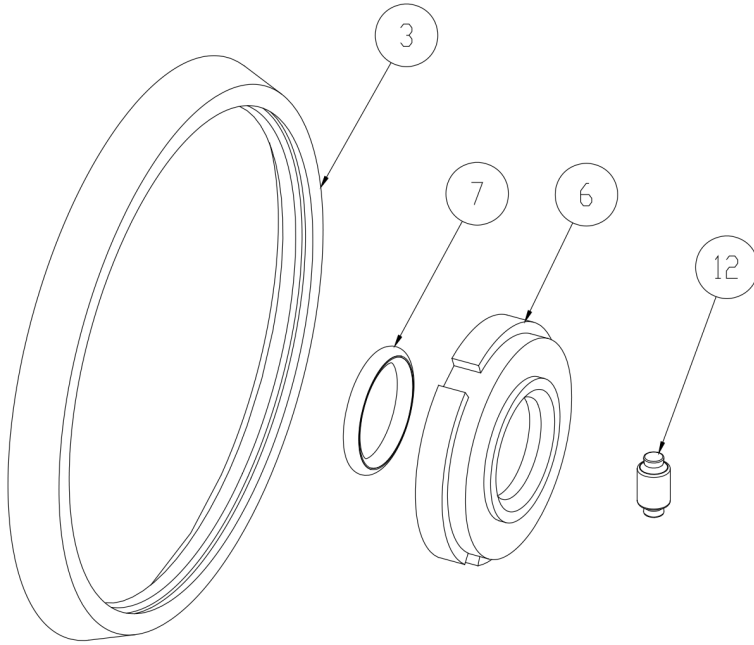
Ref #	Component Item No.	Description	Qty Per
1	<b>C+KIT-218/28TS</b>	<b>KIT,218,280TSC,C+CONVRT,BUNA C</b>	1
	<i>C+KIT-218/28TSE</i>	<i>KIT,218,280TSC,C+CONVRT,EPDM C</i>	1
	<i>C+KIT-218/28TSV</i>	<i>KIT,218,280TSC,C+CONVRT,VIT C</i>	1



**Exploded View**

*Optional Items Shown in ITALICS*

Ref #	Component Item No.	Description	Qty Per
1	<b>S318M-01D-E</b>	<b>CASING,3X1-1/2,TRI-CLMP C318/C+318</b>	<b>1</b>
	<i>S318T-01C-E</i>	<i>***DO NOT USE SEE NOTE*** CASING,3X1-1/2,BVL SEAT</i>	<i>1</i>
	<i>S318MI-01C-E</i>	<i>CASING,3X1-1/2,CLMP GLASS BEAD C C+</i>	<i>1</i>
	<i>S318S-01C-E</i>	<i>CASING,3X1-1/2,NPT C318/C+318</i>	<i>1</i>
	<i>S318F-01C-E</i>	<i>CASING,3X1-1/2,FLNGD C318/C+318</i>	<i>1</i>
2	<b>S218-02C-316L</b>	<b>IMPELLER,218/318 C UNIVERSAL</b>	<b>1</b>
3	<b>S328-90A-U</b>	<b>GASKET,218/328,CASING,BUNA C C+</b>	<b>1</b>
	<i>S328-90A-E</i>	<i>GASKET,218/328,CASING,EPDM C C+</i>	<i>1</i>
	<i>S328-90A-V</i>	<i>GASKET,218/328,CASING,VIT C C+</i>	<i>1</i>
4	<b>328D-11-316</b>	<b>BACKPLATE,D,218/328,+218/+328 C C+</b>	<b>1</b>
5	<b>216D-11-1-S</b>	<b>PIN,BACKPLT,114/216/328 C C+</b>	<b>2</b>
6	<b>328E-80-1A</b>	<b>SEAL,218/328,3218,CARBON C C+</b>	<b>1</b>
7	<b>S328-80-2-U</b>	<b>O-RING,218/328,SEAL,BUNA C C+</b>	<b>1</b>
	<i>S328-80-2-E</i>	<i>O-RING,218/328,SEAL,EPDM,2-222 C C+</i>	<i>1</i>
	<i>S328-80-2-V</i>	<i>O-RING,218/328,SEAL,VIT C C+</i>	<i>1</i>
8	<b>328D-80-3P</b>	<b>CUP,D,218/318/328/428 C C+</b>	<b>1</b>
9	<b>328D-80-4</b>	<b>SPRING,D,218/328/428,+3218 C C+ DB</b>	<b>1</b>
10	<b>SP328D-23P-S</b>	<b>COLLAR,D,218/328/+3218,DRIVE C C+</b>	<b>1</b>
11	<b>SC1105A-SS</b>	<b>SCREW,SET,DRV COLLR,1/4-20X3/8 -SS</b>	<b>2</b>
12	<b>328D-24B-316L</b>	<b>RETAINER,IMPLR</b>	<b>1</b>
16	<b>CS328E32TS-06</b>	<b>STUBSHAFT,320TSC,UNIVRSL C218/C328</b>	<b>1</b>
17	<b>S328-75AR-S</b>	<b>CLAMP,218/328,CASING C C+</b>	<b>1</b>
18	<b>SX18000027</b>	<b>COLLAR,280TC/320TSC,SHAFT LC</b>	<b>1</b>
19	<b>328D32TS-71C-SS</b>	<b>ADAPTER,320TSC FRAME,SS C218/C328/C+218/C+328</b>	<b>1</b>
20	<b>C328-28T-131-S</b>	<b>GUARD,SEAL,218/328/428/4410,SS C C+</b>	<b>1</b>
21	<b>GX5079600</b>	<b>CAPSCRW,HX,1/4-20X1/2,18-8SS HX HD</b>	<b>1</b>
22	<b>GX5076700</b>	<b>CAPSCRW,HX,5/8-11X1-1/2,18-8SS HX HD</b>	<b>4</b>

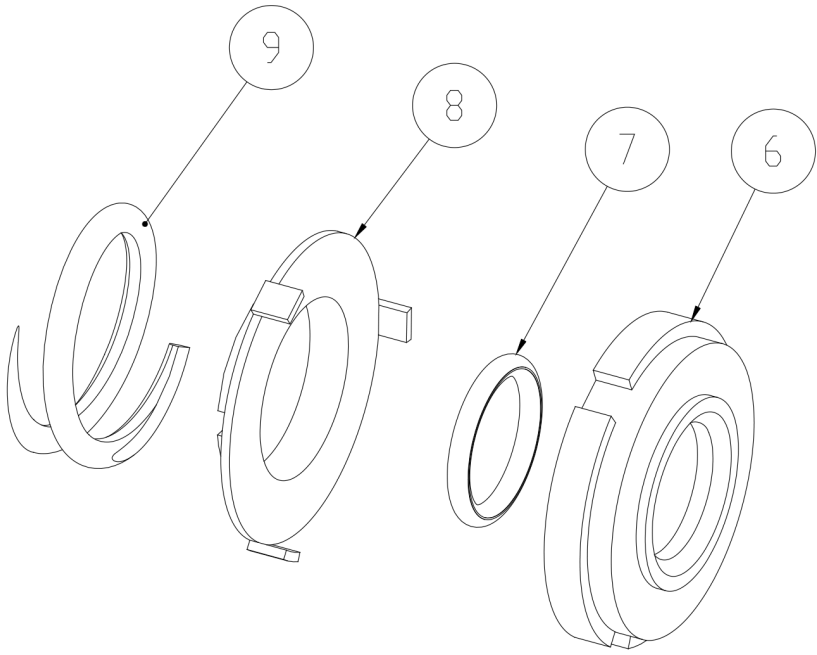


3	Casing Gasket
6	Seal Carbon
7	Seal O-Ring
12	Impeller Pin

**Seal Kit #1**

*Optional Items Shown in ITALICS*

Ref #	Component Item No.	Description	Qty Per
1	<b>KIT#1-C218-B</b>	<b>KIT,#1,218/328,SEAL,BUNA C</b>	<b>1</b>
	<i>KIT#1-C218-E</i>	<i>KIT,#1,SEAL,218/328,EPDM C</i>	<i>1</i>
	<i>KIT#1-C218-S</i>	<i>KIT,#1,SEAL,218/328,SFY,VIT C</i>	<i>1</i>

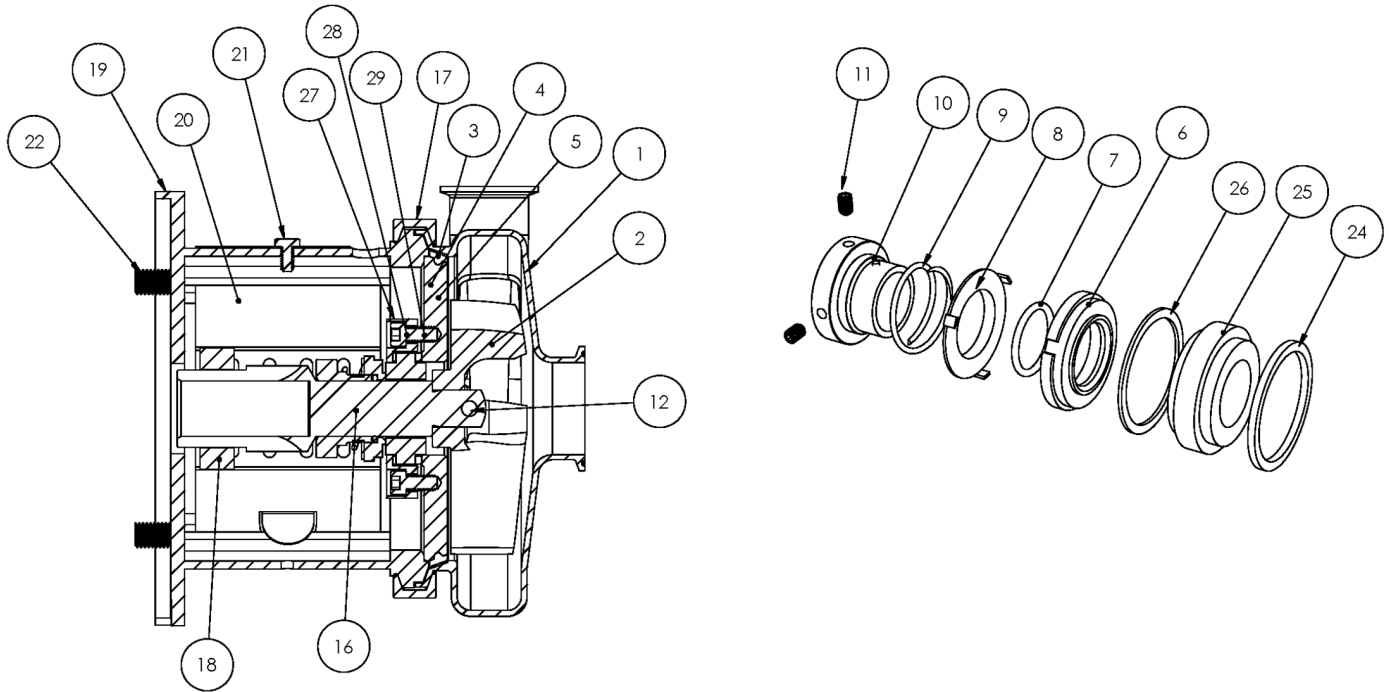


6	Seal Carbon
7	Seal O-Ring
8	Cup D Seal
9	Spring D Seal

**Seal Kit #3**

*Optional Items Shown in ITALICS*

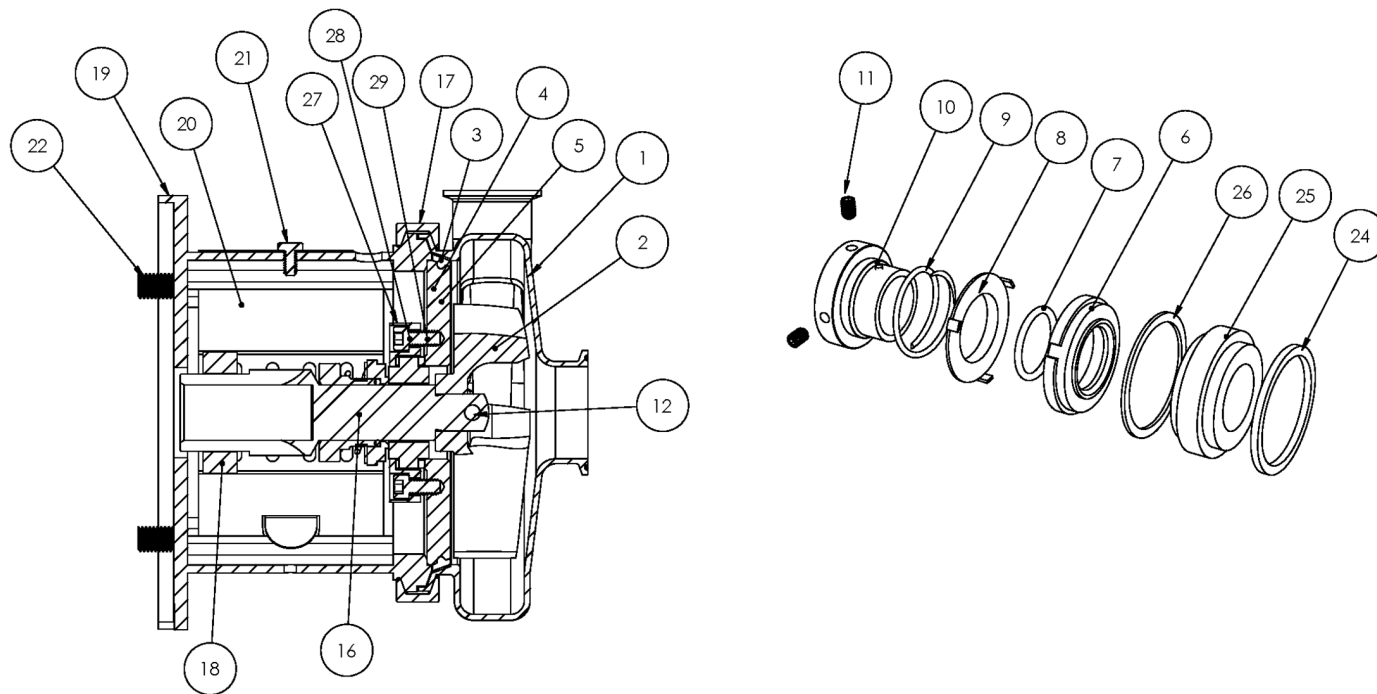
Ref #	Component Item No.	Description	Qty Per
1	<b>KIT#3-C218-B</b>	<b>KIT,#3,218/328,SEAL,BUNA C</b>	<b>1</b>
	<i>KIT#3-C218-E</i>	<i>KIT,#3,SEAL,218/328,EPDM C</i>	<i>1</i>
	<i>KIT#3-C218-S</i>	<i>KIT,#3,SEAL,218/328,SFY,VIT C</i>	<i>1</i>



**Exploded View**

*Optional Items Shown in ITALICS*

Ref #	Component Item No.	Description	Qty Per
1	<b>S318M-01D-E</b>	<b>CASING,3X1-1/2,TRI-CLMP C318/C+318</b>	1
	<i>S318T-01C-E</i>	<i>***DO NOT USE SEE NOTE*** CASING,3X1-1/2,BVL SEAT</i>	1
	<i>S318MI-01C-E</i>	<i>CASING,3X1-1/2,CLMP GLASS BEAD C C+</i>	1
	<i>S318S-01C-E</i>	<i>CASING,3X1-1/2,NPT C318/C+318</i>	1
	<i>S318F-01C-E</i>	<i>CASING,3X1-1/2,FLNGD C318/C+318</i>	1
2	<b>S218-02C-316L</b>	<b>IMPELLER,218/318 C UNIVERSAL</b>	1
3	<b>S328-90A-U</b>	<b>GASKET,218/328,CASING,BUNA C C+</b>	1
	<i>S328-90A-E</i>	<i>GASKET,218/328,CASING,EPDM C C+</i>	1
	<i>S328-90A-V</i>	<i>GASKET,218/328,CASING,VIT C C+</i>	1
4	<b>SP328G-11-316L</b>	<b>BACKPLATE,DG,218/328 C C+</b>	1
5	<b>216D-11-1-S</b>	<b>PIN,BACKPLT,114/216/328 C C+</b>	2
6	<b>328E-80-1A</b>	<b>SEAL,218/328,3218,CARBON C C+</b>	1
	<i>328E-80-1SC</i>	<i>SEAL,328,RTRY,SILC CARB C C+</i>	1
7	<b>S328-80-2-U</b>	<b>O-RING,218/328,SEAL,BUNA C C+</b>	1
	<i>S328-80-2-E</i>	<i>O-RING,218/328,SEAL,EPDM,2-222 C C+</i>	1
	<i>S328-80-2-V</i>	<i>O-RING,218/328,SEAL,VIT C C+</i>	1
8	<b>328D-80-3P</b>	<b>CUP,D,218/318/328/428 C C+</b>	1
9	<b>328D-80-4</b>	<b>SPRING,D,218/328/428,+3218 C C+ DB</b>	1
10	<b>SP328D-23P-S</b>	<b>COLLAR,D,218/328/+3218,DRIVE C C+</b>	1
11	<b>SC1105A-SS</b>	<b>SCREW,SET,DRV COLLR,1/4-20X3/8 -SS</b>	2
12	<b>328D-24B-316L</b>	<b>RETAINER,IMPLR</b>	1
16	<b>C328E-14TP-06</b>	<b>STUBSHAFT,140TC C+218/328</b>	1
17	<b>S328-75AR-S</b>	<b>CLAMP,218/328,CASING C C+</b>	1
18	<b>SX18000013</b>	<b>COLLAR,56C/140TC,SHAFT L SEE ITEM NOTES</b>	1
19	<b>328D14T-71C-SS</b>	<b>ADAPTER,140TC FRAME,SS C218/C328/C+218/C+328</b>	1
20	<b>C328-14T-131-S</b>	<b>GUARD,SEAL,218/328,SS C C+ CB+</b>	1
21	<b>GX5079600</b>	<b>CAPSCRW,HX,1/4-20X1/2,18-8SS HX HD</b>	1

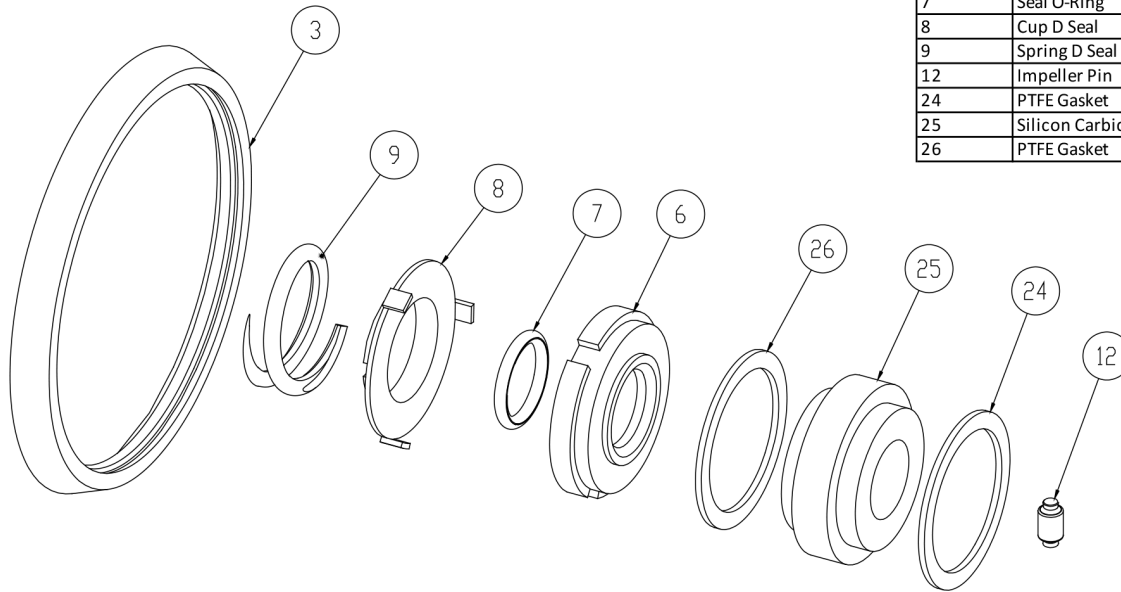


**Exploded View**

*Optional Items Shown in ITALICS*

Ref #	Component Item No.	Description	Qty Per
22	SC1710H-SS	CAPSCRW,HX,1/2-13X1,18-8SS HX HD	4
24	SP328G-80-12AG	GASKET,218/328,DG,THK,PTFE C C+	1
25	SP328G-80-11SC	SEAT,218/328,DG,SEAL,SILC CARB C C+	1
	<i>SP328G-80-11TC</i>	<i>SEAT,328,DG,SEAL,TUNG CARB C C+</i>	1
	<i>SP328G-80-11CER</i>	<i>SEAT,328,DG,SEAL,CERAMIC C C+</i>	1
26	SP328G-80-12G	GASKET,218/328,DG,THN,PTFE C C+	1
27	SP328G-17-316L	RING,218/328,GLAND,DG C C+	1
28	SC1310H-SS	CAPSCRW,HX,5/16-18X1-1/8,18-8S HX HD	4
29	LWA-1300-SS	WASHER,LOCK,5/16,18-8SS	4



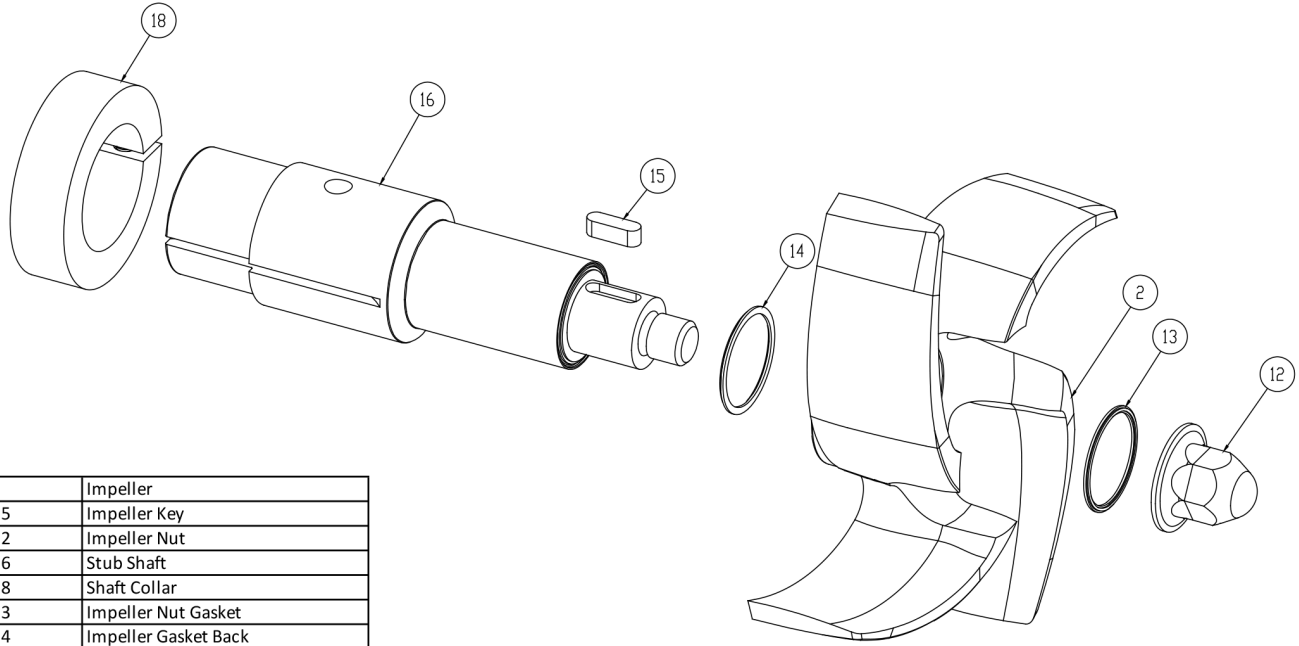


3	Casing Gasket
6	Seal Carbon
7	Seal O-Ring
8	Cup D Seal
9	Spring D Seal
12	Impeller Pin
24	PTFE Gasket
25	Silicon Carbide Seat
26	PTFE Gasket

**Seal Kit DG**

*Optional Items Shown in ITALICS*

Ref #	Component Item No.	Description	Qty Per
1	<b>KITDG-C218-B</b>	<b>KIT,218/328,DG,SEAL,BUNA C</b>	<b>1</b>
	<i>KITDG-C218-E</i>	<i>KIT,218/328,DG SEAL,EPDM C</i>	<i>1</i>
	<i>KITDG-C218-S</i>	<i>KIT,218/328,DG,SEAL,VIT C</i>	<i>1</i>

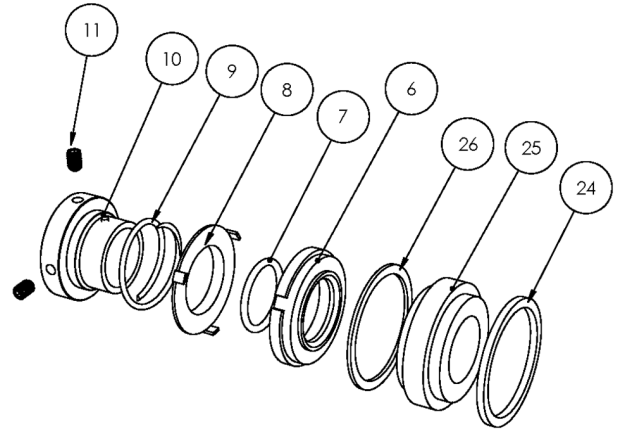
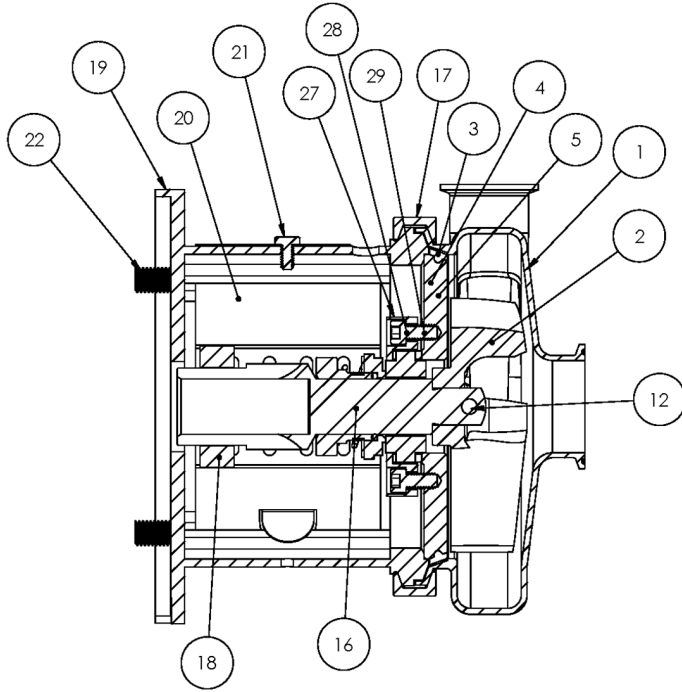


2	Impeller
15	Impeller Key
12	Impeller Nut
16	Stub Shaft
18	Shaft Collar
13	Impeller Nut Gasket
14	Impeller Gasket Back

**AC+ Conversion Kit**

*Optional Items Shown in ITALICS*

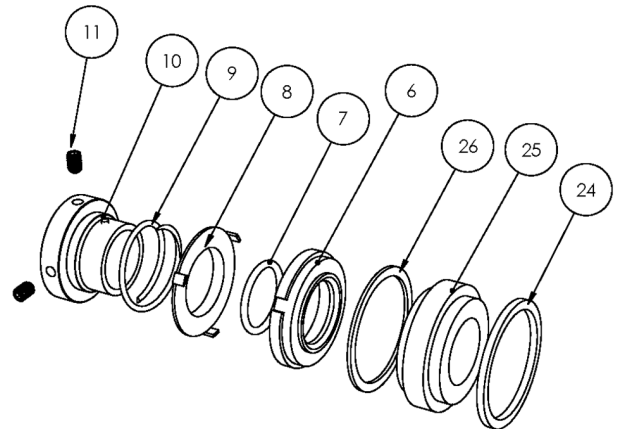
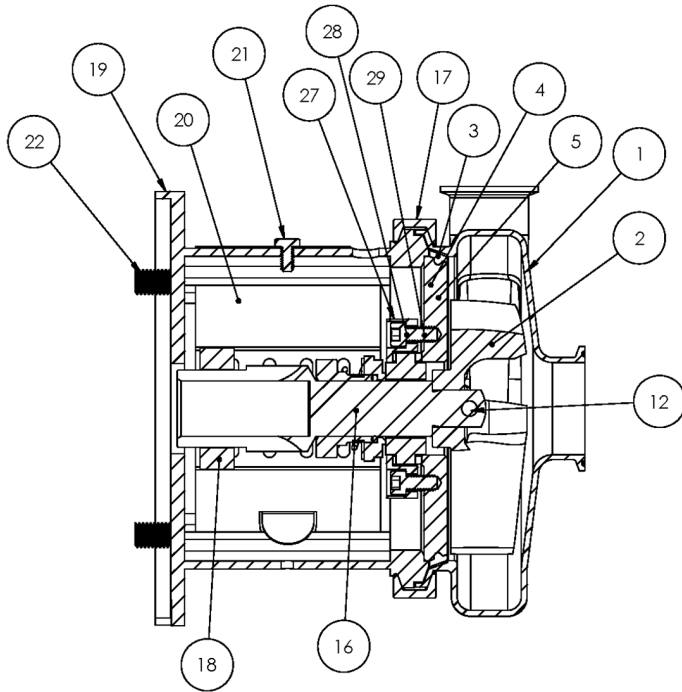
Ref #	Component Item No.	Description	Qty Per
1	<b>C+KIT-218/14</b>	<b>KIT,218,140TC,C+CONVRT,BUNA C</b>	<b>1</b>
	<i>C+KIT-218/14-E</i>	<i>KIT,218,140TC,C+CONVRT,EPDM C</i>	<i>1</i>
	<i>C+KIT-218/14-V</i>	<i>KIT,218,140TC,C+CONVRT,VIT C</i>	<i>1</i>



**Exploded View**

*Optional Items Shown in ITALICS*

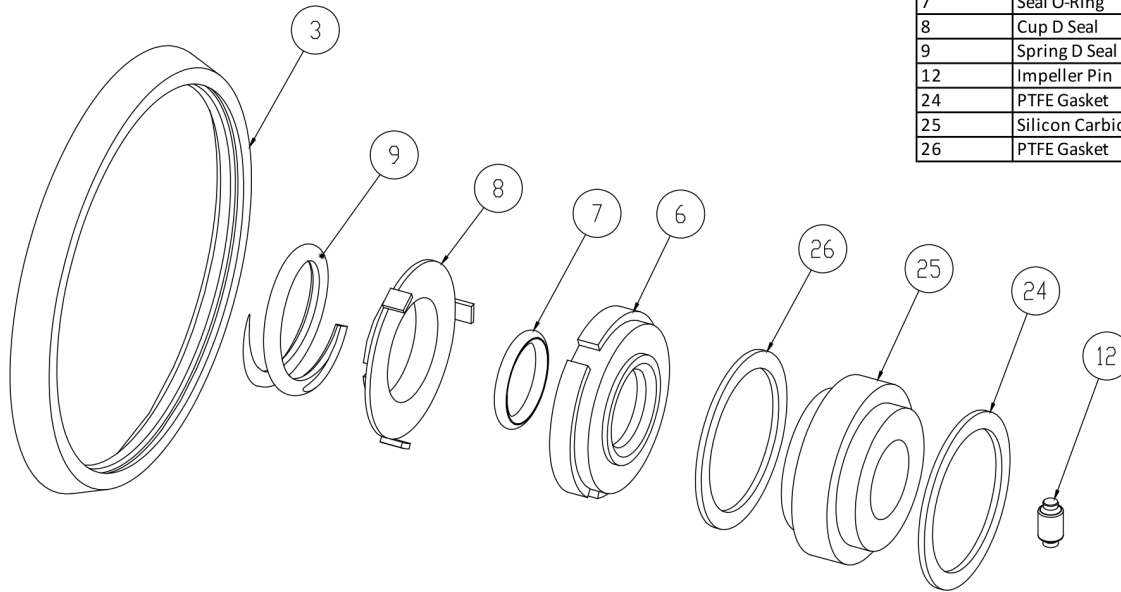
Ref #	Component Item No.	Description	Qty Per
1	<b>S318M-01D-E</b>	<b>CASING,3X1-1/2,TRI-CLMP C318/C+318</b>	1
	<i>S318T-01C-E</i>	<i>***DO NOT USE SEE NOTE*** CASING,3X1-1/2,BVL SEAT</i>	1
	<i>S318MI-01C-E</i>	<i>CASING,3X1-1/2,CLMP GLASS BEAD C C+</i>	1
	<i>S318S-01C-E</i>	<i>CASING,3X1-1/2,NPT C318/C+318</i>	1
	<i>S318F-01C-E</i>	<i>CASING,3X1-1/2,FLNGD C318/C+318</i>	1
2	<b>S218-02C-316L</b>	<b>IMPELLER,218/318 C UNIVERSAL</b>	1
3	<b>S328-90A-U</b>	<b>GASKET,218/328,CASING,BUNA C C+</b>	1
	<i>S328-90A-E</i>	<i>GASKET,218/328,CASING,EPDM C C+</i>	1
	<i>S328-90A-V</i>	<i>GASKET,218/328,CASING,VIT C C+</i>	1
4	<b>SP328G-11-316L</b>	<b>BACKPLATE,DG,218/328 C C+</b>	1
5	<b>216D-11-1-S</b>	<b>PIN,BACKPLT,114/216/328 C C+</b>	2
6	<b>328E-80-1A</b>	<b>SEAL,218/328,3218,CARBON C C+</b>	1
	<i>328E-80-1SC</i>	<i>SEAL,328,RTRY,SILC CARB C C+</i>	1
7	<b>S328-80-2-U</b>	<b>O-RING,218/328,SEAL,BUNA C C+</b>	1
	<i>S328-80-2-E</i>	<i>O-RING,218/328,SEAL,EPDM,2-222 C C+</i>	1
	<i>S328-80-2-V</i>	<i>O-RING,218/328,SEAL,VIT C C+</i>	1
8	<b>328D-80-3P</b>	<b>CUP,D,218/318/328/428 C C+</b>	1
9	<b>328D-80-4</b>	<b>SPRING,D,218/328/428,+3218 C C+ DB</b>	1
10	<b>SP328D-23P-S</b>	<b>COLLAR,D,218/328/+3218,DRIVE C C+</b>	1
11	<b>SC1105A-SS</b>	<b>SCREW,SET,DRV COLLR,1/4-20X3/8 -SS</b>	2
12	<b>328D-24B-316L</b>	<b>RETAINER,IMPLR</b>	1
17	<b>S328-75AR-S</b>	<b>CLAMP,218/328,CASING C C+</b>	1
18	<b>SX18000014</b>	<b>COLLAR,180TC,SHAFT LC</b>	1
19	<b>328D18T-71C-SS</b>	<b>ADAPTER,180TC FRAME,SS C218/C328/C+218/C+328</b>	1
20	<b>C328-18T-131-S</b>	<b>GUARD,SEAL,21/318/328/428,SS C C+ IC+ 180TC</b>	1
21	<b>GX5079600</b>	<b>CAPSCRW,HX,1/4-20X1/2,18-8SS HX HD</b>	1
22	<b>SC1710H-SS</b>	<b>CAPSCRW,HX,1/2-13X1,18-8SS HX HD</b>	4



**Exploded View**

*Optional Items Shown in ITALICS*

Ref #	Component Item No.	Description	Qty Per
24	SP328G-80-12AG	GASKET,218/328,DG,THK,PTFE C C+	1
25	SP328G-80-11SC	SEAT,218/328,DG,SEAL,SILC CARB C C+	1
	<i>SP328G-80-11TC</i>	<i>SEAT,328,DG,SEAL,TUNG CARB C C+</i>	1
	<i>SP328G-80-11CER</i>	<i>SEAT,328,DG,SEAL,CERAMIC C C+</i>	1
26	SP328G-80-12G	GASKET,218/328,DG,THN,PTFE C C+	1
27	SP328G-17-316L	RING,218/328,GLAND,DG C C+	1
28	SC1310H-SS	CAPSCRW,HX,5/16-18X1-1/8,18-8S HX HD	4
29	LWA-1300-SS	WASHER,LOCK,5/16,18-8SS	4

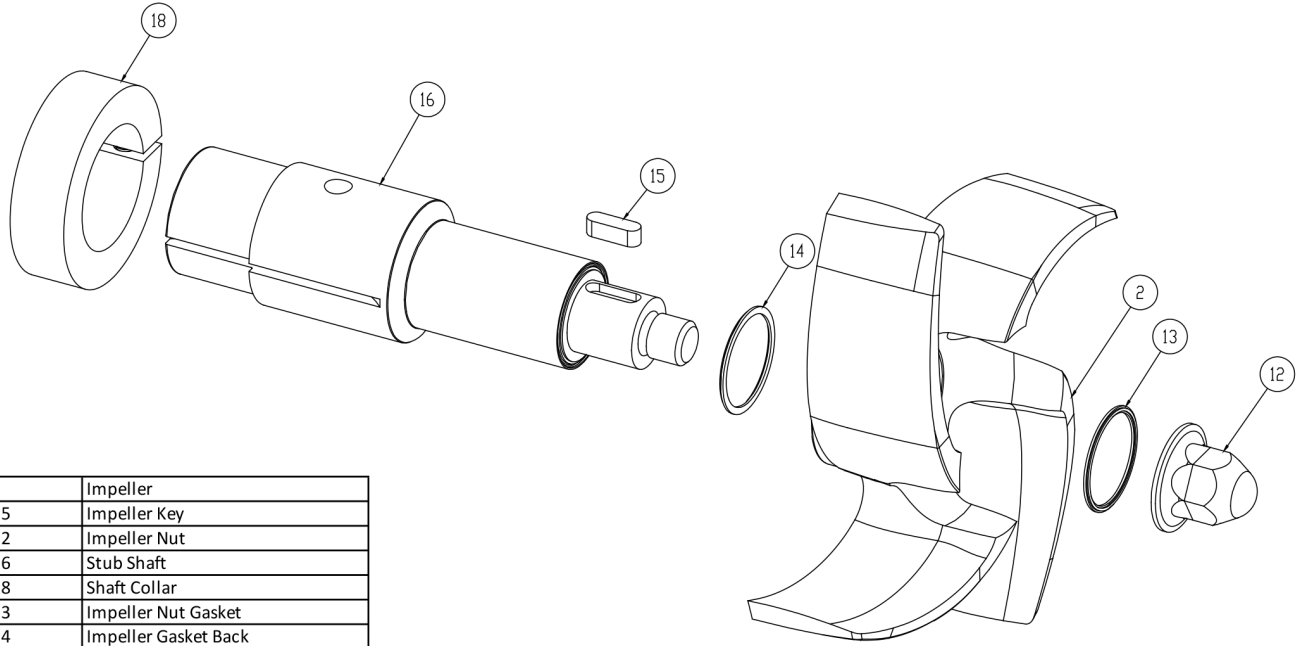


3	Casing Gasket
6	Seal Carbon
7	Seal O-Ring
8	Cup D Seal
9	Spring D Seal
12	Impeller Pin
24	PTFE Gasket
25	Silicon Carbide Seat
26	PTFE Gasket

**Seal Kit DG**

*Optional Items Shown in ITALICS*

Ref #	Component Item No.	Description	Qty Per
1	<b>KITDG-C218-B</b>	<b>KIT,218/328,DG,SEAL,BUNA C</b>	<b>1</b>
	<i>KITDG-C218-E</i>	<i>KIT,218/328,DG SEAL,EPDM C</i>	<i>1</i>
	<i>KITDG-C218-S</i>	<i>KIT,218/328,DG,SEAL,VIT C</i>	<i>1</i>

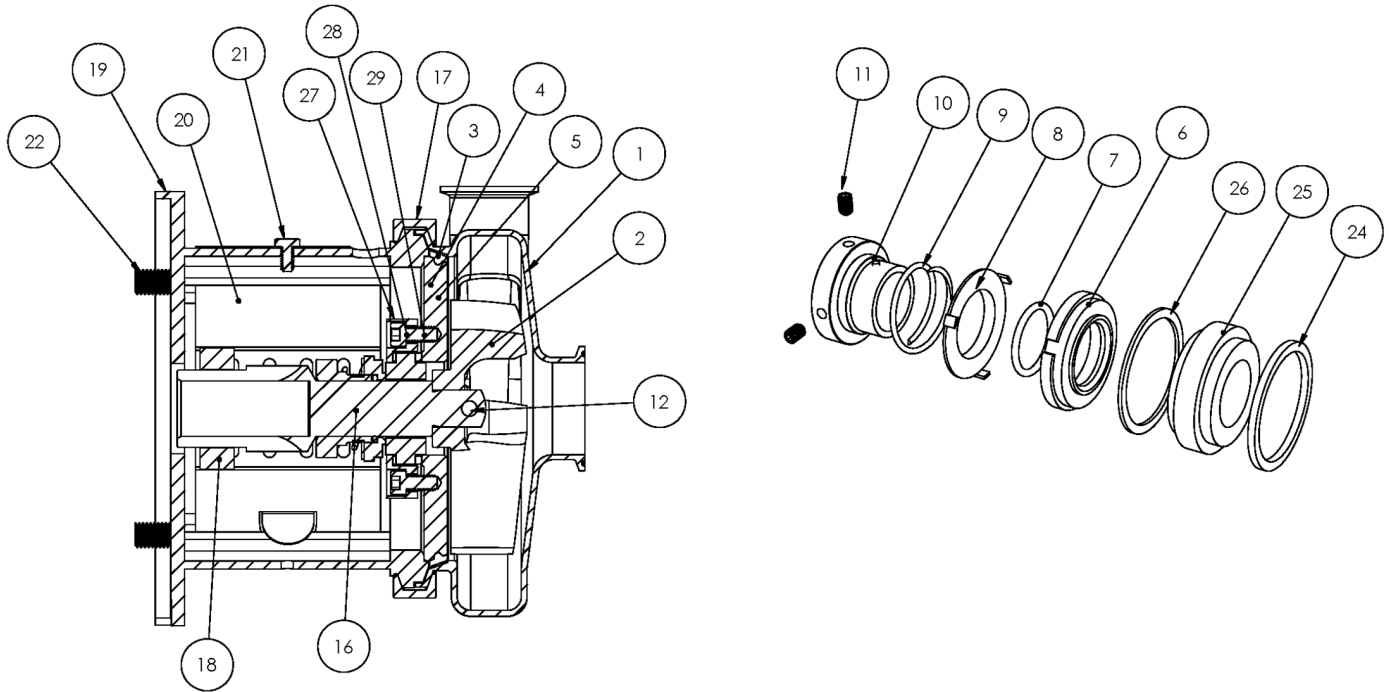


2	Impeller
15	Impeller Key
12	Impeller Nut
16	Stub Shaft
18	Shaft Collar
13	Impeller Nut Gasket
14	Impeller Gasket Back

**AC+ Conversion Kit**

*Optional Items Shown in ITALICS*

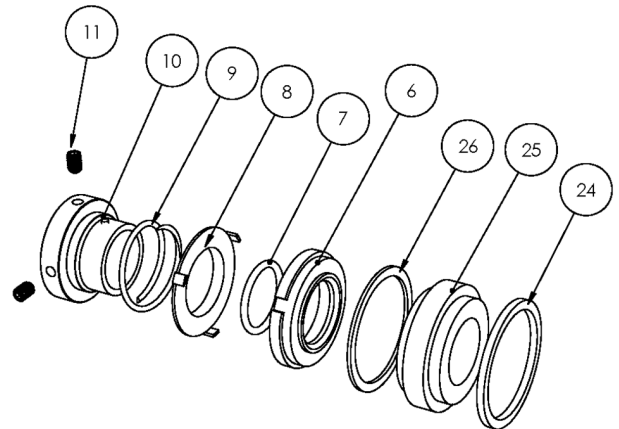
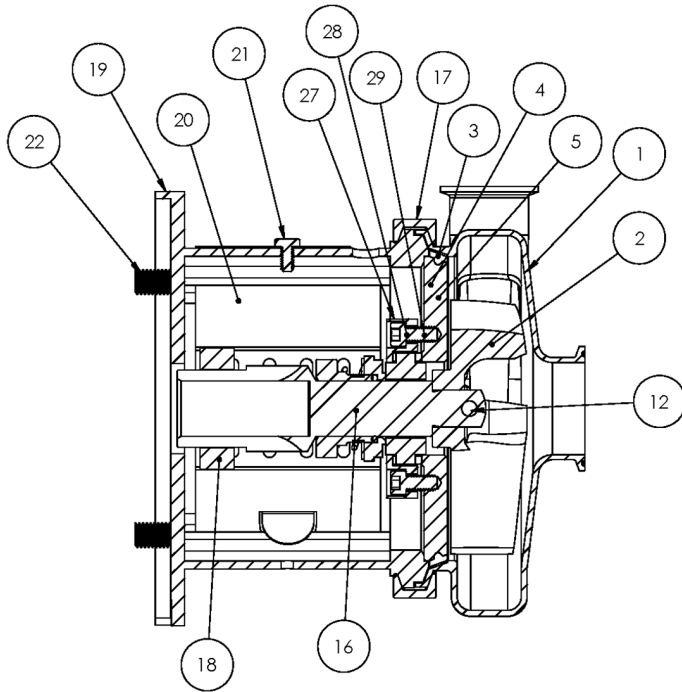
Ref #	Component Item No.	Description	Qty Per
1	<b>C+KIT-218/18</b>	<b>KIT,218,180TC,C+CONVRT,BUNA C</b>	<b>1</b>
	<i>C+KIT-218/18-E</i>	<i>KIT,218,180TC,C+CONVRT,EPDM C</i>	<i>1</i>
	<i>C+KIT-218/18-V</i>	<i>KIT,218,180TC,C+CONVRT,VIT C</i>	<i>1</i>



**Exploded View**

*Optional Items Shown in ITALICS*

Ref #	Component Item No.	Description	Qty Per
1	<b>S318M-01D-E</b>	<b>CASING,3X1-1/2,TRI-CLMP C318/C+318</b>	1
	<i>S318T-01C-E</i>	<i>***DO NOT USE SEE NOTE*** CASING,3X1-1/2,BVL SEAT</i>	1
	<i>S318MI-01C-E</i>	<i>CASING,3X1-1/2,CLMP GLASS BEAD C C+</i>	1
	<i>S318S-01C-E</i>	<i>CASING,3X1-1/2,NPT C318/C+318</i>	1
	<i>S318F-01C-E</i>	<i>CASING,3X1-1/2,FLNGD C318/C+318</i>	1
2	<b>S218-02C-316L</b>	<b>IMPELLER,218/318 C UNIVERSAL</b>	1
3	<b>S328-90A-U</b>	<b>GASKET,218/328,CASING,BUNA C C+</b>	1
	<i>S328-90A-E</i>	<i>GASKET,218/328,CASING,EPDM C C+</i>	1
	<i>S328-90A-V</i>	<i>GASKET,218/328,CASING,VIT C C+</i>	1
4	<b>SP328G-11-316L</b>	<b>BACKPLATE,DG,218/328 C C+</b>	1
5	<b>216D-11-1-S</b>	<b>PIN,BACKPLT,114/216/328 C C+</b>	2
6	<b>328E-80-1A</b>	<b>SEAL,218/328,3218,CARBON C C+</b>	1
	<i>328E-80-1SC</i>	<i>SEAL,328,RTRY,SILC CARB C C+</i>	1
7	<b>S328-80-2-U</b>	<b>O-RING,218/328,SEAL,BUNA C C+</b>	1
	<i>S328-80-2-E</i>	<i>O-RING,218/328,SEAL,EPDM,2-222 C C+</i>	1
	<i>S328-80-2-V</i>	<i>O-RING,218/328,SEAL,VIT C C+</i>	1
8	<b>328D-80-3P</b>	<b>CUP,D,218/318/328/428 C C+</b>	1
9	<b>328D-80-4</b>	<b>SPRING,D,218/328/428,+3218 C C+ DB</b>	1
10	<b>SP328D-23P-S</b>	<b>COLLAR,D,218/328/+3218,DRIVE C C+</b>	1
11	<b>SC1105A-SS</b>	<b>SCREW,SET,DRV COLLR,1/4-20X3/8 -SS</b>	2
12	<b>328D-24B-316L</b>	<b>RETAINER,IMPLR</b>	1
16	<b>CS328E21T-06</b>	<b>STUBSHAFT,210TC,UNIVRSL C218/C328</b>	1
17	<b>S328-75AR-S</b>	<b>CLAMP,218/328,CASING C C+</b>	1
18	<b>SX18000015</b>	<b>COLLAR,210TC,SHAFT LC</b>	1
19	<b>328D21T-71C-SS</b>	<b>ADAPTER,210TC FRAME,SS C218/C328/C+218/C+328</b>	1
20	<b>C328-21T-131-S</b>	<b>GUARD,SEAL,218/318/328/428,SS C C+ CB+ 210TC</b>	1
21	<b>GX5079600</b>	<b>CAPSCRW,HX,1/4-20X1/2,18-8SS HX HD</b>	1

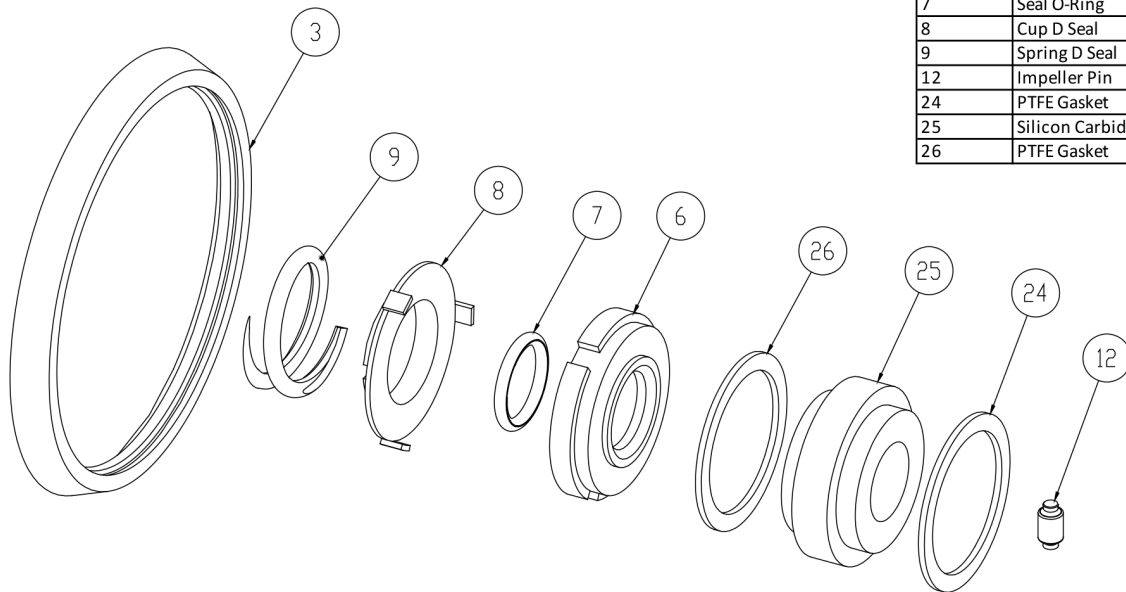


**Exploded View**

*Optional Items Shown in ITALICS*

Ref #	Component Item No.	Description	Qty Per
22	SC1710H-SS	CAPSCRW,HX,1/2-13X1,18-8SS HX HD	4
24	SP328G-80-12AG	GASKET,218/328,DG,THK,PTFE C C+	1
25	SP328G-80-11SC	SEAT,218/328,DG,SEAL,SILC CARB C C+	1
	<i>SP328G-80-11TC</i>	<i>SEAT,328,DG,SEAL,TUNG CARB C C+</i>	1
	<i>SP328G-80-11CER</i>	<i>SEAT,328,DG,SEAL,CERAMIC C C+</i>	1
26	SP328G-80-12G	GASKET,218/328,DG,THN,PTFE C C+	1
27	SP328G-17-316L	RING,218/328,GLAND,DG C C+	1
28	SC1310H-SS	CAPSCRW,HX,5/16-18X1-1/8,18-8S HX HD	4
29	LWA-1300-SS	WASHER,LOCK,5/16,18-8SS	4



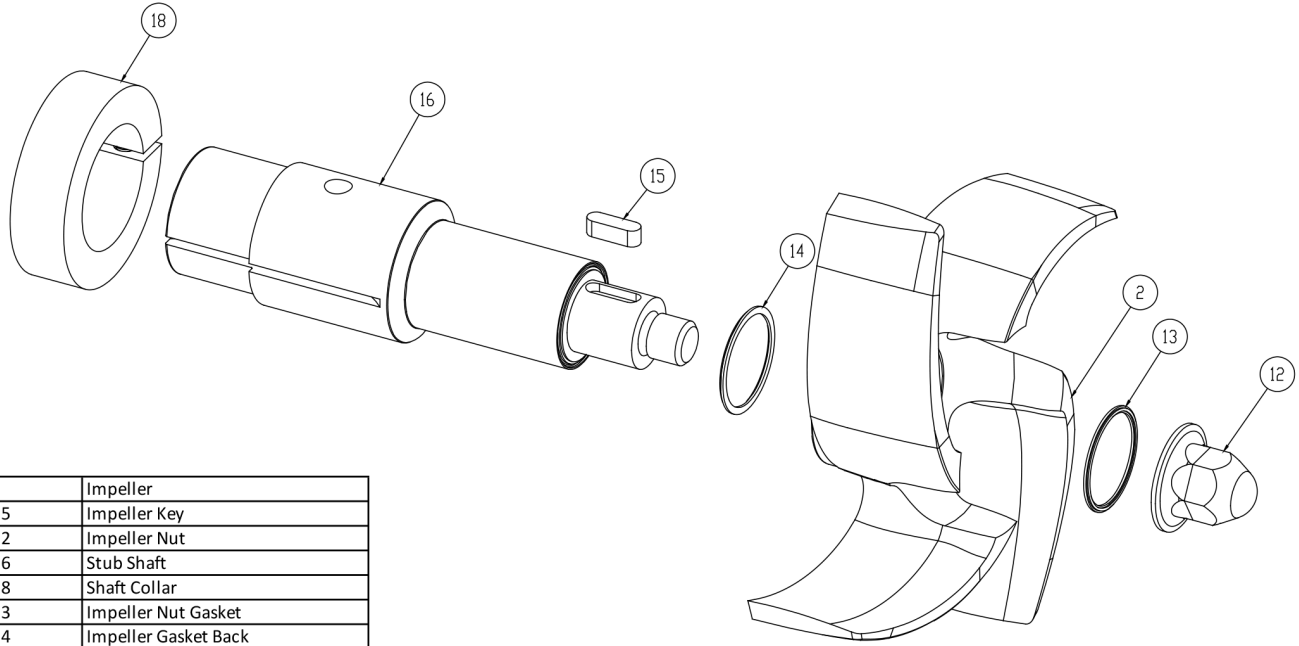


3	Casing Gasket
6	Seal Carbon
7	Seal O-Ring
8	Cup D Seal
9	Spring D Seal
12	Impeller Pin
24	PTFE Gasket
25	Silicon Carbide Seat
26	PTFE Gasket

**Seal Kit DG**

*Optional Items Shown in ITALICS*

Ref #	Component Item No.	Description	Qty Per
1	<b>KITDG-C218-B</b>	<b>KIT,218/328,DG,SEAL,BUNA C</b>	<b>1</b>
	<i>KITDG-C218-E</i>	<i>KIT,218/328,DG SEAL,EPDM C</i>	<i>1</i>
	<i>KITDG-C218-S</i>	<i>KIT,218/328,DG,SEAL,VIT C</i>	<i>1</i>

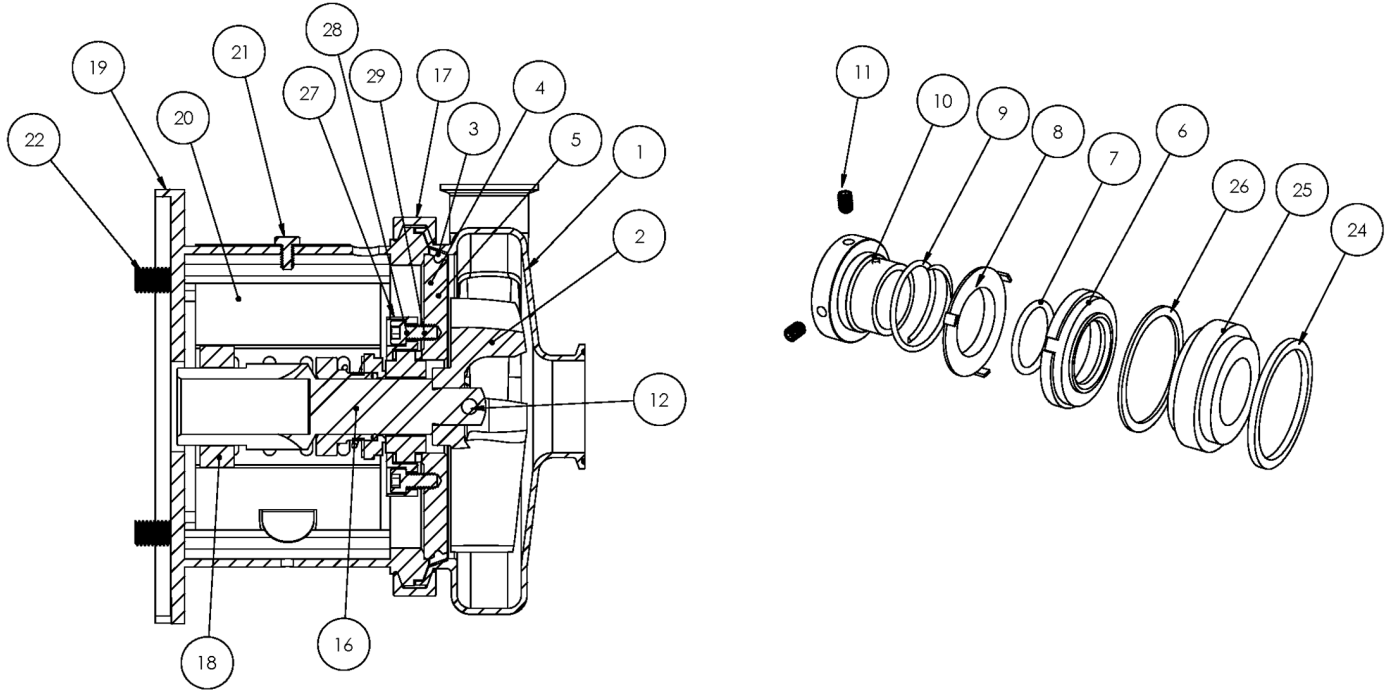


2	Impeller
15	Impeller Key
12	Impeller Nut
16	Stub Shaft
18	Shaft Collar
13	Impeller Nut Gasket
14	Impeller Gasket Back

**AC+ Conversion Kit**

*Optional Items Shown in ITALICS*

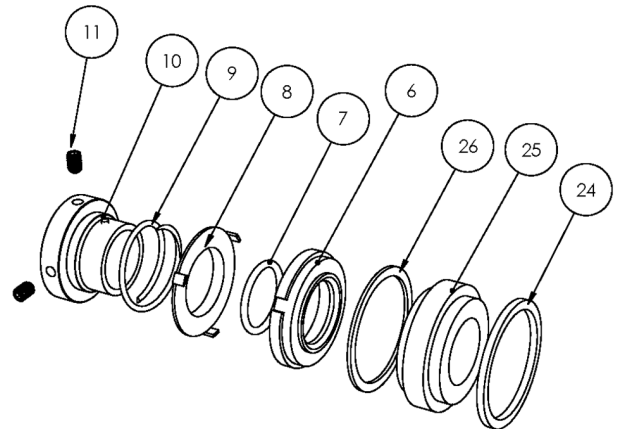
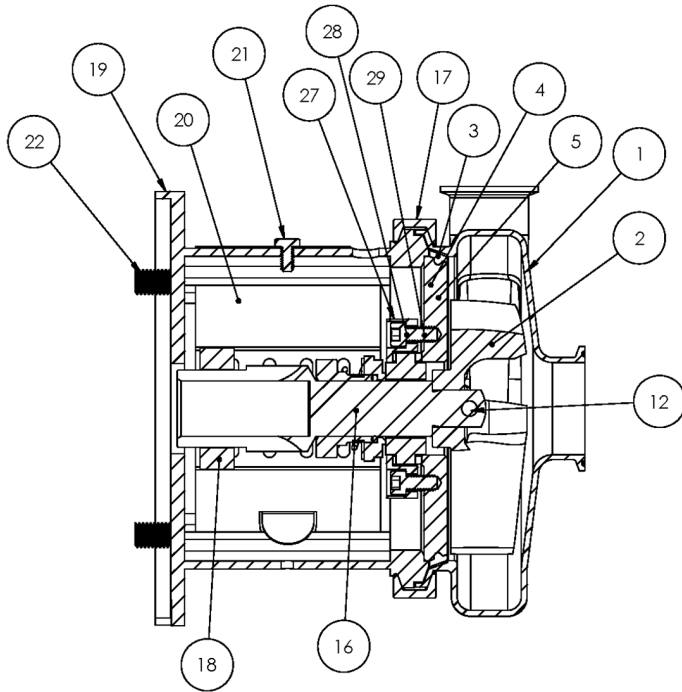
Ref #	Component Item No.	Description	Qty Per
1	<b>C+KIT-218/21</b>	<b>KIT,218,210TC,C+CONVRT,BUNA C</b>	<b>1</b>
	<i>C+KIT-218/21-E</i>	<i>KIT,218,210TC,C+CONVRT,EPDM C</i>	<i>1</i>
	<i>C+KIT-218/21-V</i>	<i>KIT,218,210TC,C+CONVRT,VIT C</i>	<i>1</i>



**Exploded View**

*Optional Items Shown in ITALICS*

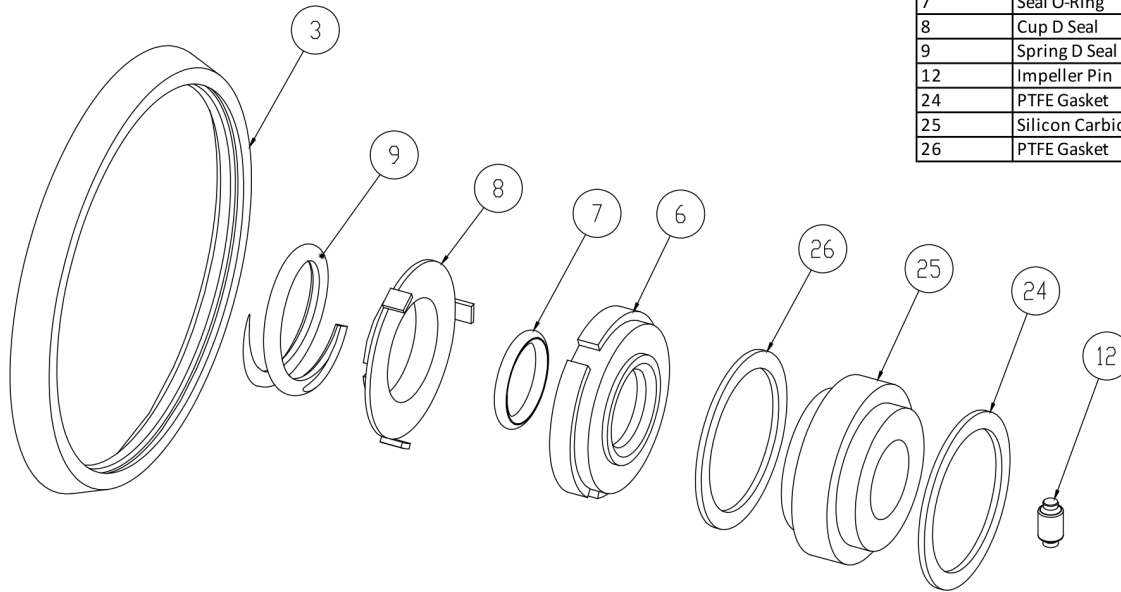
Ref #	Component Item No.	Description	Qty Per
1	<b>S318M-01D-E</b>	<b>CASING,3X1-1/2,TRI-CLMP C318/C+318</b>	1
	<i>S318T-01C-E</i>	<i>***DO NOT USE SEE NOTE*** CASING,3X1-1/2,BVL SEAT</i>	1
	<i>S318MI-01C-E</i>	<i>CASING,3X1-1/2,CLMP GLASS BEAD C C+</i>	1
	<i>S318S-01C-E</i>	<i>CASING,3X1-1/2,NPT C318/C+318</i>	1
	<i>S318F-01C-E</i>	<i>CASING,3X1-1/2,FLNGD C318/C+318</i>	1
2	<b>S218-02C-316L</b>	<b>IMPELLER,218/318 C UNIVERSAL</b>	1
3	<b>S328-90A-U</b>	<b>GASKET,218/328,CASING,BUNA C C+</b>	1
	<i>S328-90A-E</i>	<i>GASKET,218/328,CASING,EPDM C C+</i>	1
	<i>S328-90A-V</i>	<i>GASKET,218/328,CASING,VIT C C+</i>	1
4	<b>SP328G-11-316L</b>	<b>BACKPLATE,DG,218/328 C C+</b>	1
5	<b>216D-11-1-S</b>	<b>PIN,BACKPLT,114/216/328 C C+</b>	2
6	<b>328E-80-1A</b>	<b>SEAL,218/328,3218,CARBON C C+</b>	1
	<i>328E-80-1SC</i>	<i>SEAL,328,RTRY,SILC CARB C C+</i>	1
7	<b>S328-80-2-U</b>	<b>O-RING,218/328,SEAL,BUNA C C+</b>	1
	<i>S328-80-2-E</i>	<i>O-RING,218/328,SEAL,EPDM,2-222 C C+</i>	1
	<i>S328-80-2-V</i>	<i>O-RING,218/328,SEAL,VIT C C+</i>	1
8	<b>328D-80-3P</b>	<b>CUP,D,218/318/328/428 C C+</b>	1
9	<b>328D-80-4</b>	<b>SPRING,D,218/328/428,+3218 C C+ DB</b>	1
10	<b>SP328D-23P-S</b>	<b>COLLAR,D,218/328/+3218,DRIVE C C+</b>	1
11	<b>SC1105A-SS</b>	<b>SCREW,SET,DRV COLLR,1/4-20X3/8 -SS</b>	2
12	<b>328D-24B-316L</b>	<b>RETAINER,IMPLR</b>	1
16	<b>CS328E25T-06</b>	<b>STUBSHAFT,250TC,UNIVRSL C218/C328</b>	1
17	<b>S328-75AR-S</b>	<b>CLAMP,218/328,CASING C C+</b>	1
18	<b>SX18000016</b>	<b>COLLAR,250TC/280TSC,SHAFT LC</b>	1
19	<b>328D25T-71C-SS</b>	<b>ADAPTER,250TC FRAME,SS C218/C328/C+218/C+328</b>	1
20	<b>C328-25T-131-S</b>	<b>GUARD,SEAL,218/328/428,SS C C+ CB+ 250TC</b>	1
21	<b>GX5079600</b>	<b>CAPSCRW,HX,1/4-20X1/2,18-8SS HX HD</b>	1



**Exploded View**

*Optional Items Shown in ITALICS*

Ref #	Component Item No.	Description	Qty Per
22	SC1710H-SS	CAPSCRW,HX,1/2-13X1,18-8SS HX HD	4
24	SP328G-80-12AG	GASKET,218/328,DG,THK,PTFE C C+	1
25	SP328G-80-11SC	SEAT,218/328,DG,SEAL,SILC CARB C C+	1
	<i>SP328G-80-11TC</i>	<i>SEAT,328,DG,SEAL,TUNG CARB C C+</i>	1
	<i>SP328G-80-11CER</i>	<i>SEAT,328,DG,SEAL,CERAMIC C C+</i>	1
26	SP328G-80-12G	GASKET,218/328,DG,THN,PTFE C C+	1
27	SP328G-17-316L	RING,218/328,GLAND,DG C C+	1
28	SC1310H-SS	CAPSCRW,HX,5/16-18X1-1/8,18-8S HX HD	4
29	LWA-1300-SS	WASHER,LOCK,5/16,18-8SS	4

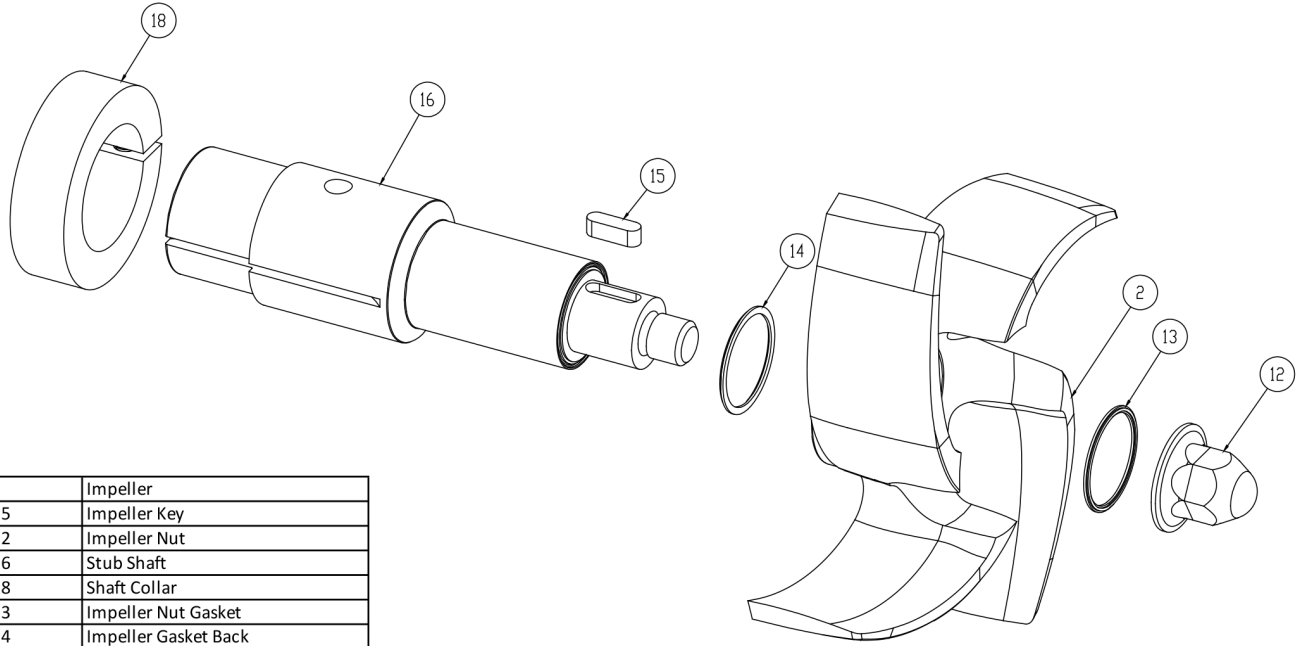


3	Casing Gasket
6	Seal Carbon
7	Seal O-Ring
8	Cup D Seal
9	Spring D Seal
12	Impeller Pin
24	PTFE Gasket
25	Silicon Carbide Seat
26	PTFE Gasket

**Seal Kit DG**

*Optional Items Shown in ITALICS*

Ref #	Component Item No.	Description	Qty Per
1	<b>KITDG-C218-B</b>	<b>KIT,218/328,DG,SEAL,BUNA C</b>	<b>1</b>
	<i>KITDG-C218-E</i>	<i>KIT,218/328,DG SEAL,EPDM C</i>	<i>1</i>
	<i>KITDG-C218-S</i>	<i>KIT,218/328,DG,SEAL,VIT C</i>	<i>1</i>

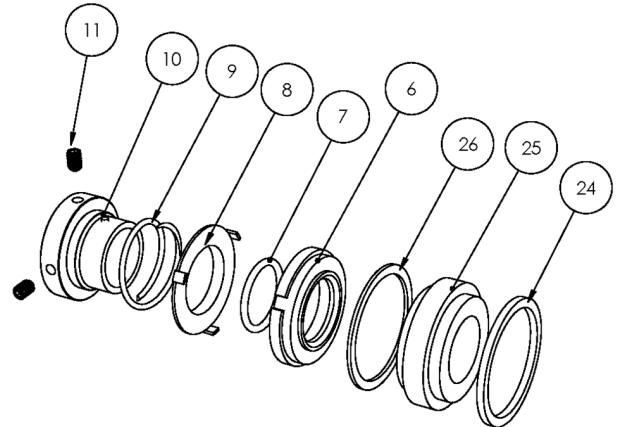
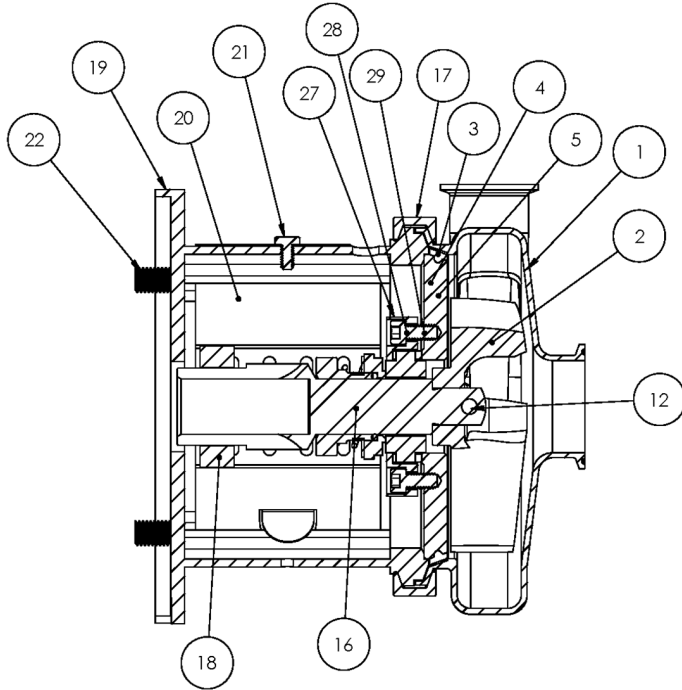


2	Impeller
15	Impeller Key
12	Impeller Nut
16	Stub Shaft
18	Shaft Collar
13	Impeller Nut Gasket
14	Impeller Gasket Back

**AC+ Conversion Kit**

*Optional Items Shown in ITALICS*

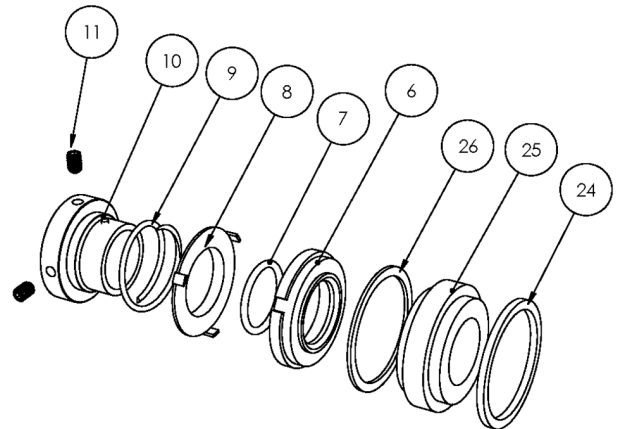
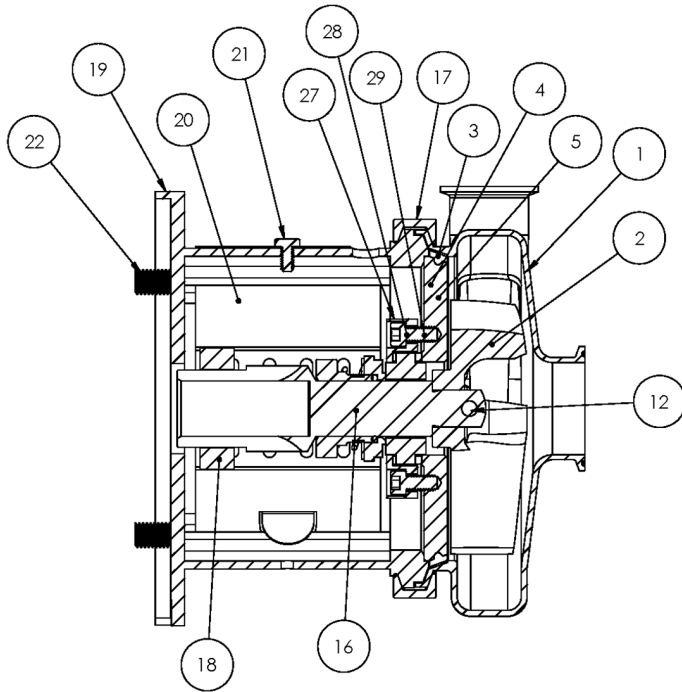
Ref #	Component Item No.	Description	Qty Per
1	<b>C+KIT-218/25</b>	<b>KIT,218,250TC,C+CONVRT,BUNA C</b>	<b>1</b>
	<i>C+KIT-218/25-E</i>	<i>KIT,218,250TC,C+CONVRT,EPDM C</i>	<i>1</i>
	<i>C+KIT-218/25-V</i>	<i>KIT,218,250TC,C+CONVRT,VIT C</i>	<i>1</i>



**Exploded View**

*Optional Items Shown in ITALICS*

Ref #	Component Item No.	Description	Qty Per
1	<b>S318M-01D-E</b>	<b>CASING,3X1-1/2,TRI-CLMP C318/C+318</b>	1
	<i>S318T-01C-E</i>	<i>***DO NOT USE SEE NOTE*** CASING,3X1-1/2,BVL SEAT</i>	1
	<i>S318MI-01C-E</i>	<i>CASING,3X1-1/2,CLMP GLASS BEAD C C+</i>	1
	<i>S318S-01C-E</i>	<i>CASING,3X1-1/2,NPT C318/C+318</i>	1
	<i>S318F-01C-E</i>	<i>CASING,3X1-1/2,FLNGD C318/C+318</i>	1
2	<b>S218-02C-316L</b>	<b>IMPELLER,218/318 C UNIVERSAL</b>	1
3	<b>S328-90A-U</b>	<b>GASKET,218/328,CASING,BUNA C C+</b>	1
	<i>S328-90A-E</i>	<i>GASKET,218/328,CASING,EPDM C C+</i>	1
	<i>S328-90A-V</i>	<i>GASKET,218/328,CASING,VIT C C+</i>	1
4	<b>SP328G-11-316L</b>	<b>BACKPLATE,DG,218/328 C C+</b>	2
5	<b>216D-11-1-S</b>	<b>PIN,BACKPLT,114/216/328 C C+</b>	2
6	<b>328E-80-1A</b>	<b>SEAL,218/328,3218,CARBON C C+</b>	1
	<i>328E-80-1SC</i>	<i>SEAL,328,RTRY,SILC CARB C C+</i>	1
7	<b>S328-80-2-U</b>	<b>O-RING,218/328,SEAL,BUNA C C+</b>	1
	<i>S328-80-2-E</i>	<i>O-RING,218/328,SEAL,EPDM,2-222 C C+</i>	1
	<i>S328-80-2-V</i>	<i>O-RING,218/328,SEAL,VIT C C+</i>	1
8	<b>328D-80-3P</b>	<b>CUP,D,218/318/328/428 C C+</b>	1
9	<b>328D-80-4</b>	<b>SPRING,D,218/328/428,+3218 C C+ DB</b>	1
10	<b>SP328D-23P-S</b>	<b>COLLAR,D,218/328/+3218,DRIVE C C+</b>	1
11	<b>SC1105A-SS</b>	<b>SCREW,SET,DRV COLLR,1/4-20X3/8 -SS</b>	2
12	<b>328D-24B-316L</b>	<b>RETAINER,IMPLR</b>	1
16	<b>CS328E28T-06</b>	<b>STUBSHAFT,280TC,UNIVRSL C218/C328</b>	1
17	<b>S328-75AR-S</b>	<b>CLAMP,218/328,CASING C C+</b>	1
18	<b>SX18000027</b>	<b>COLLAR,280TC/320TSC,SHAFT LC</b>	1
19	<b>328D28T-71C-SS</b>	<b>ADAPTER,280TC/TSC FRAME,SS C218/C328/C+218/C+328</b>	1
20	<b>C328-28T-131-S</b>	<b>GUARD,SEAL,218/328/428/4410,SS C C+</b>	1
21	<b>GX5079600</b>	<b>CAPSCRW,HX,1/4-20X1/2,18-8SS HX HD</b>	1

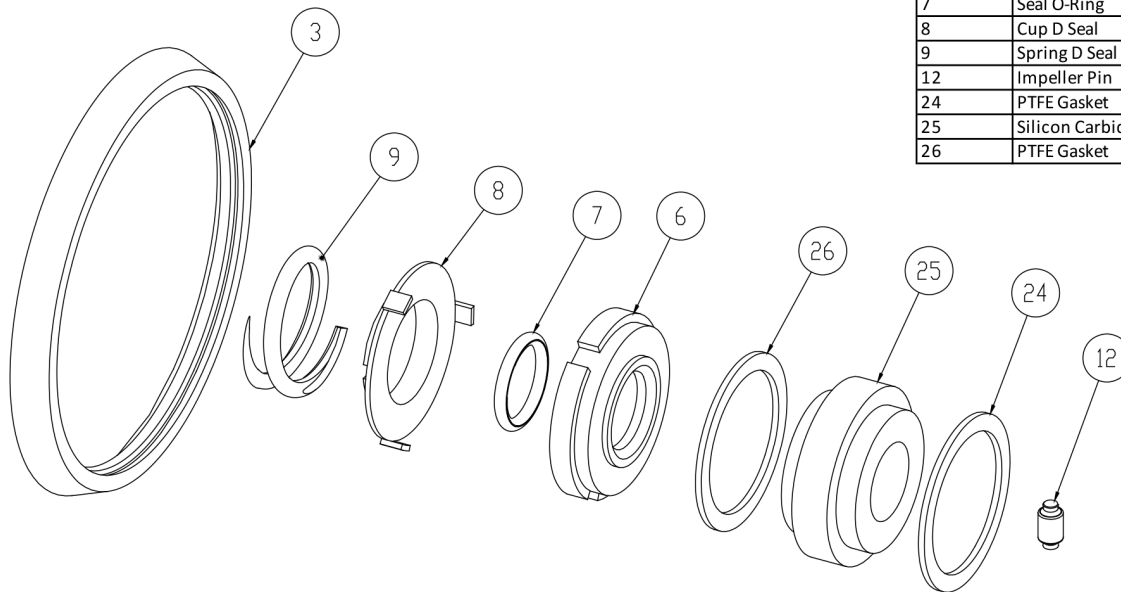


**Exploded View**

*Optional Items Shown in ITALICS*

Ref #	Component Item No.	Description	Qty Per
22	SC1710H-SS	CAPSCRW,HX,1/2-13X1,18-8SS HX HD	4
24	SP328G-80-12AG	GASKET,218/328,DG,THK,PTFE C C+	1
25	SP328G-80-11SC	SEAT,218/328,DG,SEAL,SILC CARB C C+	1
	<i>SP328G-80-11TC</i>	<i>SEAT,328,DG,SEAL,TUNG CARB C C+</i>	1
	<i>SP328G-80-11CER</i>	<i>SEAT,328,DG,SEAL,CERAMIC C C+</i>	1
26	SP328G-80-12G	GASKET,218/328,DG,THN,PTFE C C+	1
27	SP328G-17-316L	RING,218/328,GLAND,DG C C+	1
28	SC1310H-SS	CAPSCRW,HX,5/16-18X1-1/8,18-8S HX HD	4
29	LWA-1300-SS	WASHER,LOCK,5/16,18-8SS	4



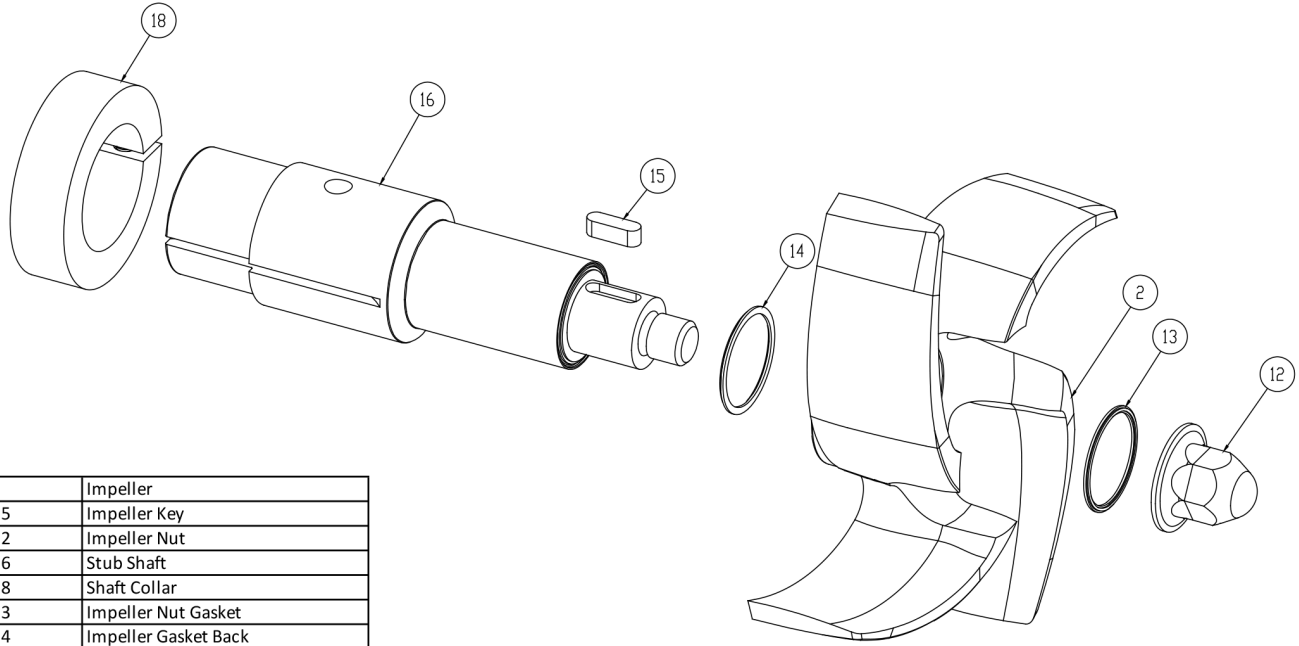


3	Casing Gasket
6	Seal Carbon
7	Seal O-Ring
8	Cup D Seal
9	Spring D Seal
12	Impeller Pin
24	PTFE Gasket
25	Silicon Carbide Seat
26	PTFE Gasket

**Seal Kit DG**

*Optional Items Shown in ITALICS*

Ref #	Component Item No.	Description	Qty Per
1	<b>KITDG-C218-B</b>	<b>KIT,218/328,DG,SEAL,BUNA C</b>	<b>1</b>
	<i>KITDG-C218-E</i>	<i>KIT,218/328,DG SEAL,EPDM C</i>	<i>1</i>
	<i>KITDG-C218-S</i>	<i>KIT,218/328,DG,SEAL,VIT C</i>	<i>1</i>

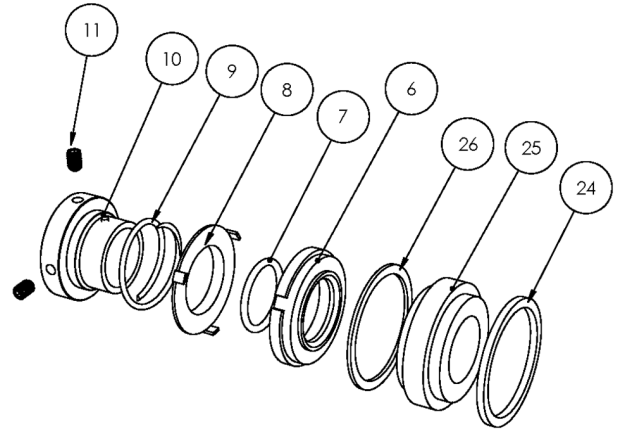
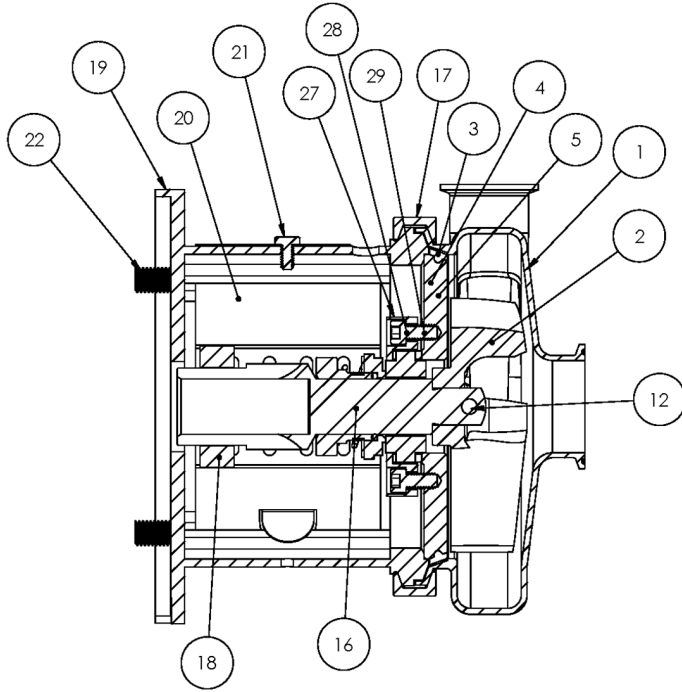


2	Impeller
15	Impeller Key
12	Impeller Nut
16	Stub Shaft
18	Shaft Collar
13	Impeller Nut Gasket
14	Impeller Gasket Back

**AC+ Conversion Kit**

*Optional Items Shown in ITALICS*

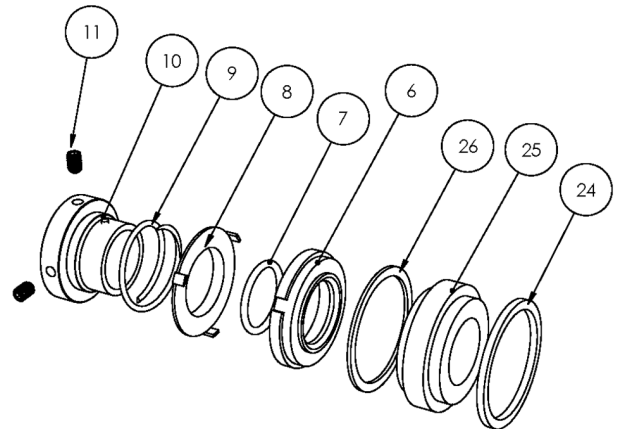
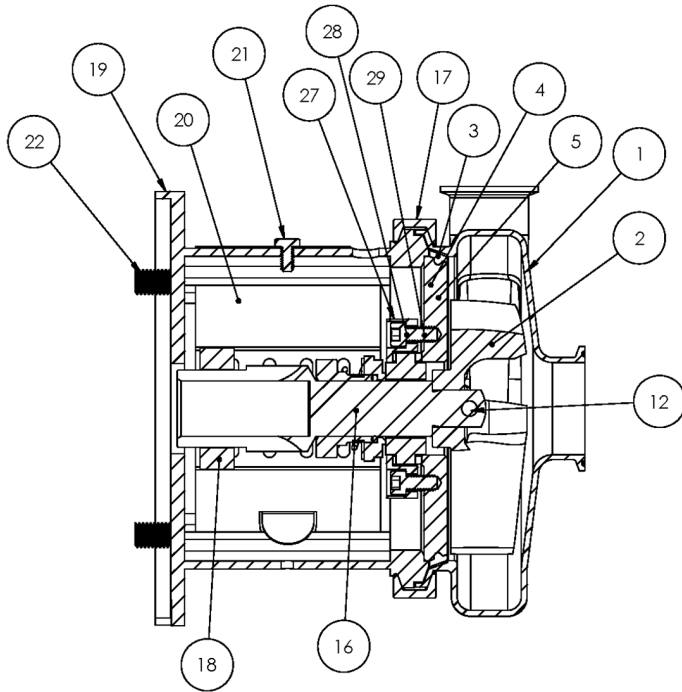
Ref #	Component Item No.	Description	Qty Per
1	<b>C+KIT-218/28</b>	<b>KIT,218,280TC,C+CONVRT,BUNA C</b>	<b>1</b>
	<i>C+KIT-218/28-E</i>	<i>KIT,218,280TC,C+CONVRT,EPDM C</i>	<i>1</i>
	<i>C+KIT-218/28-V</i>	<i>KIT,218,280TC,C+CONVRT,VIT C</i>	<i>1</i>



**Exploded View**

*Optional Items Shown in ITALICS*

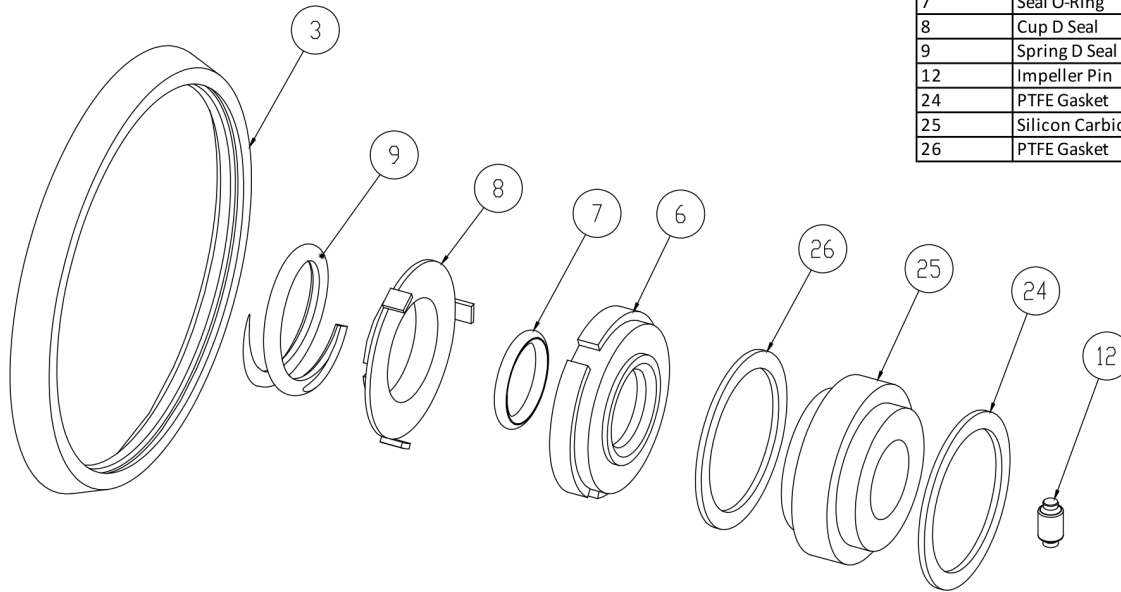
Ref #	Component Item No.	Description	Qty Per
1	<b>S318M-01D-E</b>	<b>CASING,3X1-1/2,TRI-CLMP C318/C+318</b>	1
	<i>S318T-01C-E</i>	<i>***DO NOT USE SEE NOTE*** CASING,3X1-1/2,BVL SEAT</i>	1
	<i>S318MI-01C-E</i>	<i>CASING,3X1-1/2,CLMP GLASS BEAD C C+</i>	1
	<i>S318S-01C-E</i>	<i>CASING,3X1-1/2,NPT C318/C+318</i>	1
	<i>S318F-01C-E</i>	<i>CASING,3X1-1/2,FLNGD C318/C+318</i>	1
2	<b>S218-02C-316L</b>	<b>IMPELLER,218/318 C UNIVERSAL</b>	1
3	<b>S328-90A-U</b>	<b>GASKET,218/328,CASING,BUNA C C+</b>	1
	<i>S328-90A-E</i>	<i>GASKET,218/328,CASING,EPDM C C+</i>	1
	<i>S328-90A-V</i>	<i>GASKET,218/328,CASING,VIT C C+</i>	1
4	<b>SP328G-11-316L</b>	<b>BACKPLATE,DG,218/328 C C+</b>	2
5	<b>216D-11-1-S</b>	<b>PIN,BACKPLT,114/216/328 C C+</b>	2
6	<b>328E-80-1A</b>	<b>SEAL,218/328,3218,CARBON C C+</b>	1
	<i>328E-80-1SC</i>	<i>SEAL,328,RTRY,SILC CARB C C+</i>	1
7	<b>S328-80-2-U</b>	<b>O-RING,218/328,SEAL,BUNA C C+</b>	1
	<i>S328-80-2-E</i>	<i>O-RING,218/328,SEAL,EPDM,2-222 C C+</i>	1
	<i>S328-80-2-V</i>	<i>O-RING,218/328,SEAL,VIT C C+</i>	1
8	<b>328D-80-3P</b>	<b>CUP,D,218/318/328/428 C C+</b>	1
9	<b>328D-80-4</b>	<b>SPRING,D,218/328/428,+3218 C C+ DB</b>	1
10	<b>SP328D-23P-S</b>	<b>COLLAR,D,218/328/+3218,DRIVE C C+</b>	1
11	<b>SC1105A-SS</b>	<b>SCREW,SET,DRV COLLR,1/4-20X3/8 -SS</b>	2
12	<b>328D-24B-316L</b>	<b>RETAINER,IMPLR</b>	1
16	<b>CS328E28TS-06</b>	<b>STUBSHAFT,280TSC,UNIVRSL C218/C328</b>	1
17	<b>S328-75AR-S</b>	<b>CLAMP,218/328,CASING C C+</b>	1
18	<b>SX18000027</b>	<b>COLLAR,280TC/320TSC,SHAFT LC</b>	1
19	<b>328D28T-71C-SS</b>	<b>ADAPTER,280TC/TSC FRAME,SS C218/C328/C+218/C+328</b>	1
20	<b>C328-28T-131-S</b>	<b>GUARD,SEAL,218/328/428/4410,SS C C+</b>	1
21	<b>GX5079600</b>	<b>CAPSCRW,HX,1/4-20X1/2,18-8SS HX HD</b>	1



**Exploded View**

*Optional Items Shown in ITALICS*

Ref #	Component Item No.	Description	Qty Per
22	SC1710H-SS	CAPSCRW,HX,1/2-13X1,18-8SS HX HD	4
24	SP328G-80-12AG	GASKET,218/328,DG,THK,PTFE C C+	1
25	SP328G-80-11SC	SEAT,218/328,DG,SEAL,SILC CARB C C+	1
	<i>SP328G-80-11TC</i>	<i>SEAT,328,DG,SEAL,TUNG CARB C C+</i>	1
	<i>SP328G-80-11CER</i>	<i>SEAT,328,DG,SEAL,CERAMIC C C+</i>	1
26	SP328G-80-12G	GASKET,218/328,DG,THN,PTFE C C+	1
27	SP328G-17-316L	RING,218/328,GLAND,DG C C+	1
28	SC1310H-SS	CAPSCRW,HX,5/16-18X1-1/8,18-8S HX HD	4
29	LWA-1300-SS	WASHER,LOCK,5/16,18-8SS	4

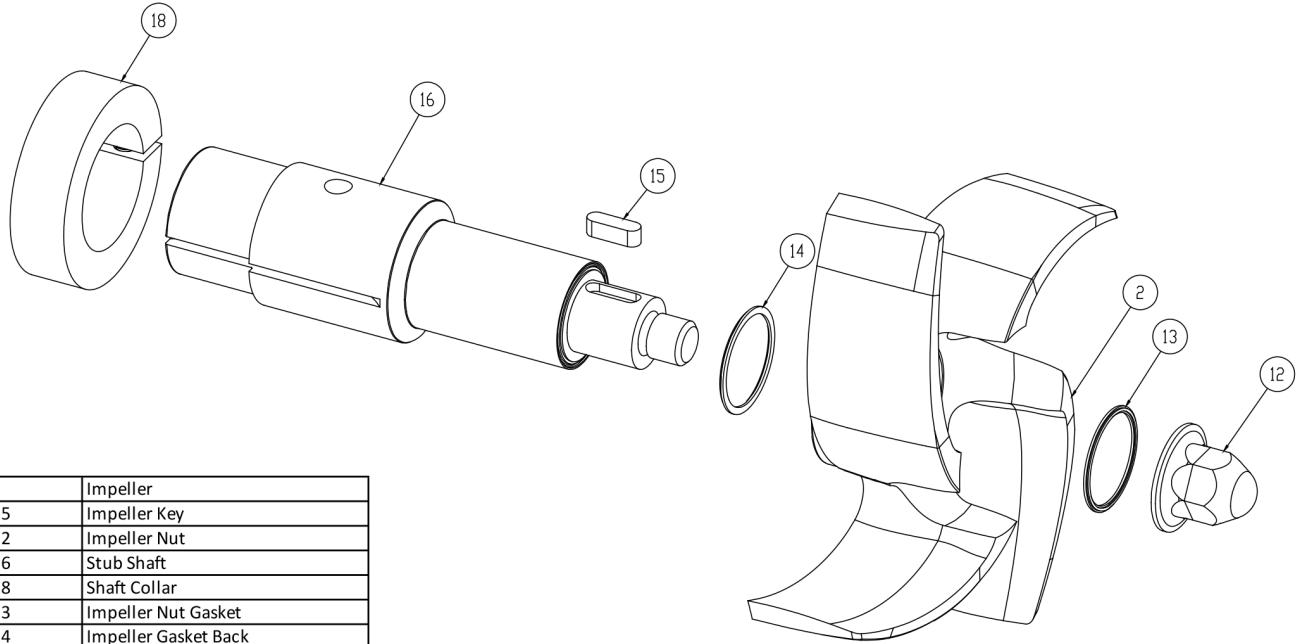


3	Casing Gasket
6	Seal Carbon
7	Seal O-Ring
8	Cup D Seal
9	Spring D Seal
12	Impeller Pin
24	PTFE Gasket
25	Silicon Carbide Seat
26	PTFE Gasket

**Seal Kit DG**

*Optional Items Shown in ITALICS*

Ref #	Component Item No.	Description	Qty Per
1	<b>KITDG-C218-B</b>	<b>KIT,218/328,DG,SEAL,BUNA C</b>	<b>1</b>
	<i>KITDG-C218-E</i>	<i>KIT,218/328,DG SEAL,EPDM C</i>	<i>1</i>
	<i>KITDG-C218-S</i>	<i>KIT,218/328,DG,SEAL,VIT C</i>	<i>1</i>

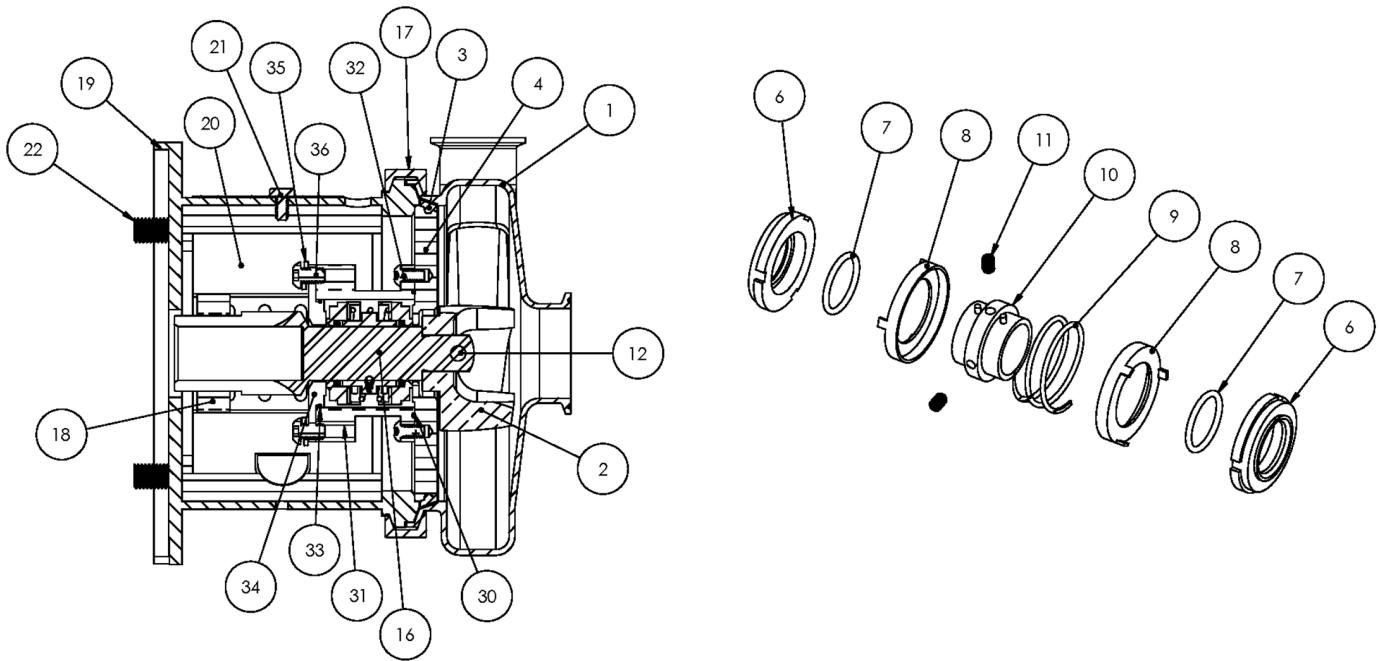


2	Impeller
15	Impeller Key
12	Impeller Nut
16	Stub Shaft
18	Shaft Collar
13	Impeller Nut Gasket
14	Impeller Gasket Back

**AC+ Conversion Kit**

*Optional Items Shown in ITALICS*

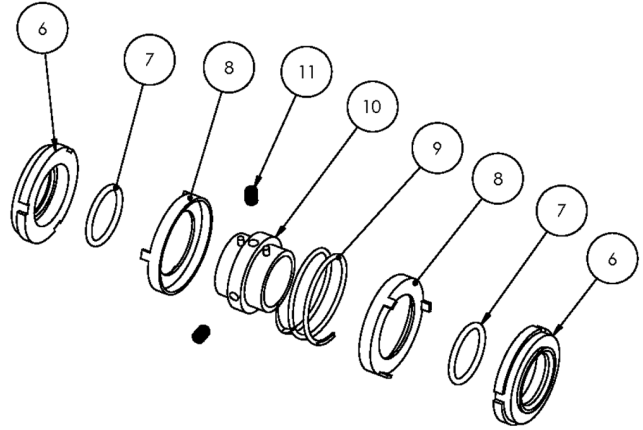
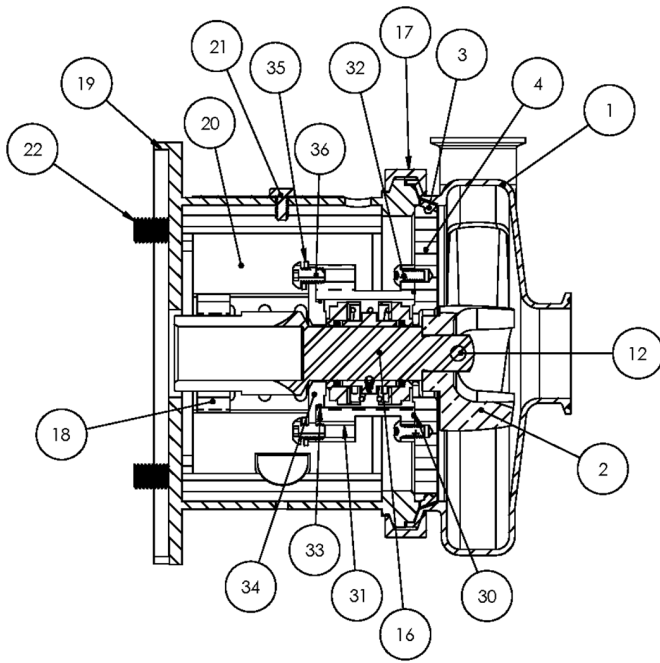
Ref #	Component Item No.	Description	Qty Per
1	<b>C+KIT-218/28TS</b>	<b>KIT,218,280TSC,C+CONVRT,BUNA C</b>	<b>1</b>
	<i>C+KIT-218/28TSE</i>	<i>KIT,218,280TSC,C+CONVRT,EPDM C</i>	<i>1</i>
	<i>C+KIT-218/28TSV</i>	<i>KIT,218,280TSC,C+CONVRT,VIT C</i>	<i>1</i>



**Exploded View**

*Optional Items Shown in ITALICS*

Ref #	Component Item No.	Description	Qty Per
1	<b>S318M-01D-E</b>	<b>CASING,3X1-1/2,TRI-CLMP C318/C+318</b>	1
	<i>S318T-01C-E</i>	<i>***DO NOT USE SEE NOTE*** CASING,3X1-1/2,BVL SEAT</i>	1
	<i>S318MI-01C-E</i>	<i>CASING,3X1-1/2,CLMP GLASS BEAD C C+</i>	1
	<i>S318S-01C-E</i>	<i>CASING,3X1-1/2,NPT C318/C+318</i>	1
	<i>S318F-01C-E</i>	<i>CASING,3X1-1/2,FLNGD C318/C+318</i>	1
2	<b>S218-02C-316L</b>	<b>IMPELLER,218/318 C UNIVERSAL</b>	1
3	<b>S328-90A-U</b>	<b>GASKET,218/328,CASING,BUNA C C+</b>	1
	<i>S328-90A-E</i>	<i>GASKET,218/328,CASING,EPDM C C+</i>	1
	<i>S328-90A-V</i>	<i>GASKET,218/328,CASING,VIT C C+</i>	1
4	<b>328E-11B-316</b>	<b>BACKPLATE,E,218/328 C C+</b>	1
6	<b>328E-80-1A</b>	<b>SEAL,218/328,3218,CARBON C C+</b>	2
7	<b>S328-80-2-U</b>	<b>O-RING,218/328,SEAL,BUNA C C+</b>	2
	<i>S328-80-2-E</i>	<i>O-RING,218/328,SEAL,EPDM,2-222 C C+</i>	2
	<i>S328-80-2-V</i>	<i>O-RING,218/328,SEAL,VIT C C+</i>	2
8	<b>328E-80-3P</b>	<b>CUP,E,218/318/328/428 C C+</b>	2
9	<b>328E-80-4A</b>	<b>SPRING,E,218/318/328/428 C C+</b>	1
10	<b>328E-23-316L</b>	<b>COLLAR,E,218/328/428,DRIVE C C+</b>	1
11	<b>SC1103A-SS</b>	<b>SCREW,SET,1/4-20X1/4 E BALANCED</b>	2
12	<b>328D-24B-316L</b>	<b>RETAINER,IMPLR</b>	1
16	<b>C328E-14TP-06</b>	<b>STUBSHAFT,140TC C+218/328</b>	1
17	<b>S328-75AR-S</b>	<b>CLAMP,218/328,CASING C C+</b>	1
18	<b>SX18000013</b>	<b>COLLAR,56C/140TC,SHAFT L SEE ITEM NOTES</b>	1
19	<b>328D14T-71C-SS</b>	<b>ADAPTER,140TC FRAME,SS C218/C328/C+218/C+328</b>	1
20	<b>C328-14T-131-S</b>	<b>GUARD,SEAL,218/328,SS C C+ CB+</b>	1
21	<b>GX5079600</b>	<b>CAPSCRW,HX,1/4-20X1/2,18-8SS HX HD</b>	1
22	<b>GX5077100</b>	<b>CAPSCRW,HX,3/8-16X1,18-8SS HX HD</b>	4
30	<b>17-153-U</b>	<b>O-RING,218,STUFF BX,BUNA C</b>	1

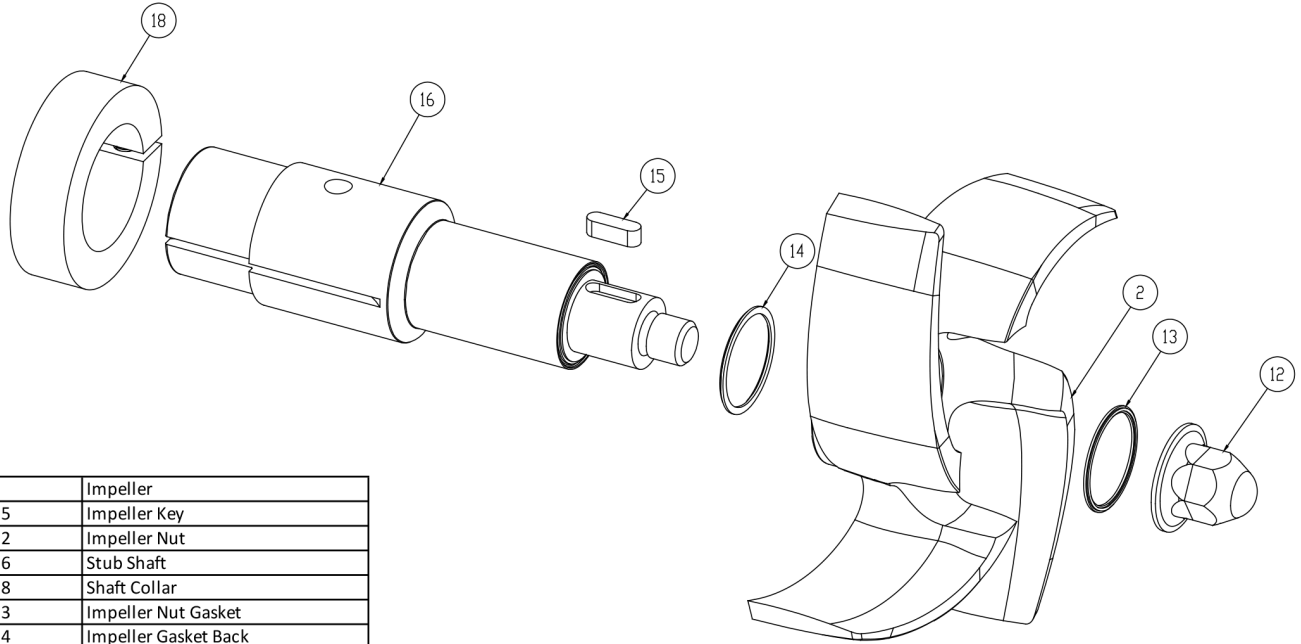


**Exploded View**

*Optional Items Shown in ITALICS*

Ref #	Component Item No.	Description	Qty Per
30	<i>17-153-E</i>	<i>O-RING,218,STUFF BX,EPDM C C+</i>	1
	<i>17-153-V</i>	<i>O-RING,218,STUFF BX,VIT C C+</i>	1
31	<b>328E-83B-316</b>	<b>STUFFING BOX,E,218/328 C C+</b>	1
32	<b>SC1308H-SS</b>	<b>CAPSCRW,BH,5/16-18 X1/2,18-8SS BUTTON HD</b>	4
33	<b>17-274-U</b>	<b>O-RING,218,FOLLOWER,BUNA C C+</b>	1
	<i>17-274-V</i>	<i>O-RING,218,FOLLOWER,VIT C C+</i>	1
	<i>17-274-E</i>	<i>O-RING,218,FOLLOWER,EPDM C C+</i>	1
34	<b>328E-17-316</b>	<b>FOLLOWER,E,218/328,+218/328 C C+</b>	1
35	<b>LWA-1300-SS</b>	<b>WASHER,LOCK,5/16,18-8SS</b>	4
36	<b>SC1308E-SS</b>	<b>CAPSCRW,BH,5/16-18X3/4,18-8SS BUTTON HD</b>	4



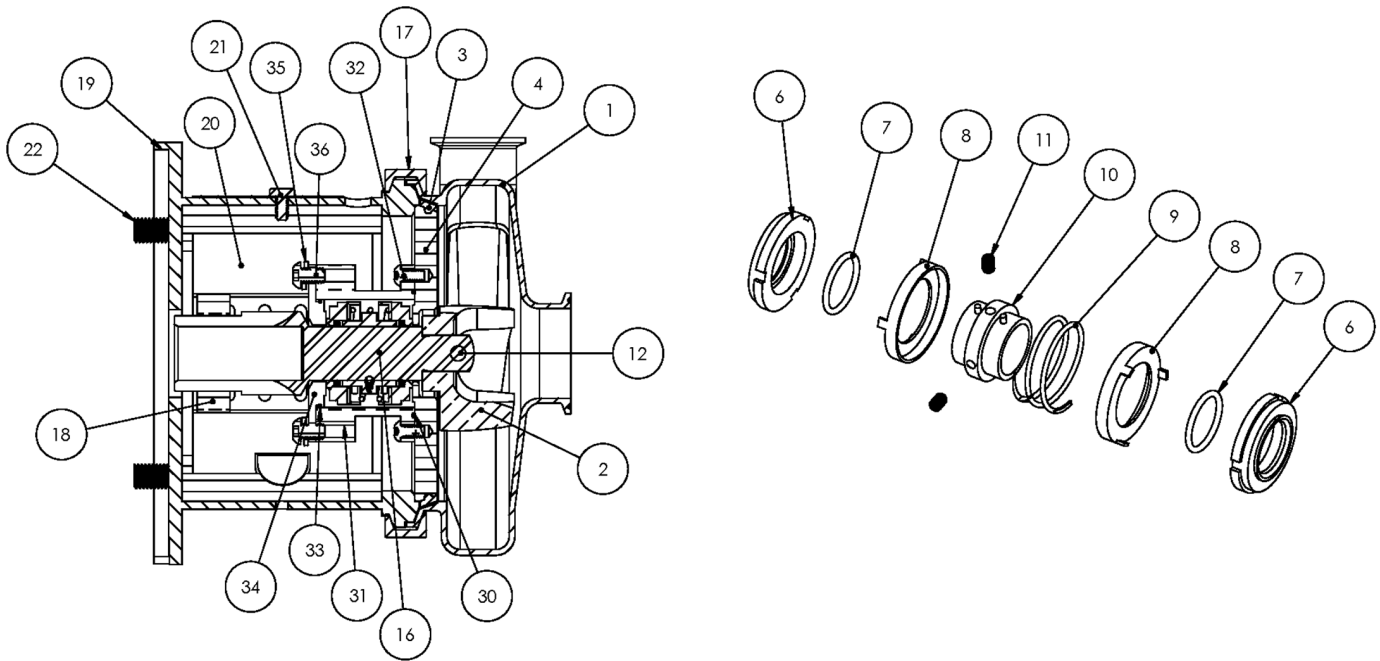


2	Impeller
15	Impeller Key
12	Impeller Nut
16	Stub Shaft
18	Shaft Collar
13	Impeller Nut Gasket
14	Impeller Gasket Back

**AC+ Conversion Kit**

*Optional Items Shown in ITALICS*

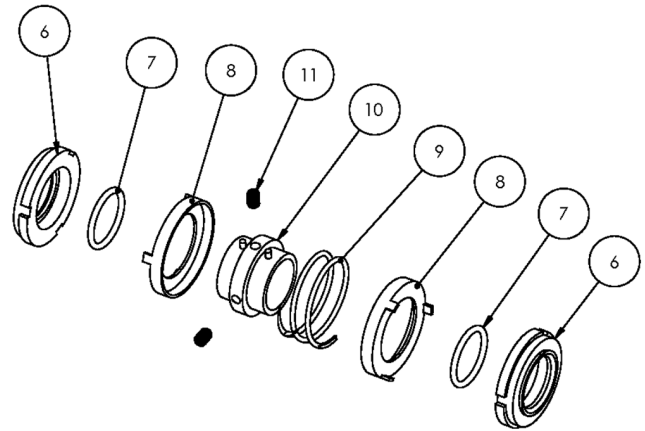
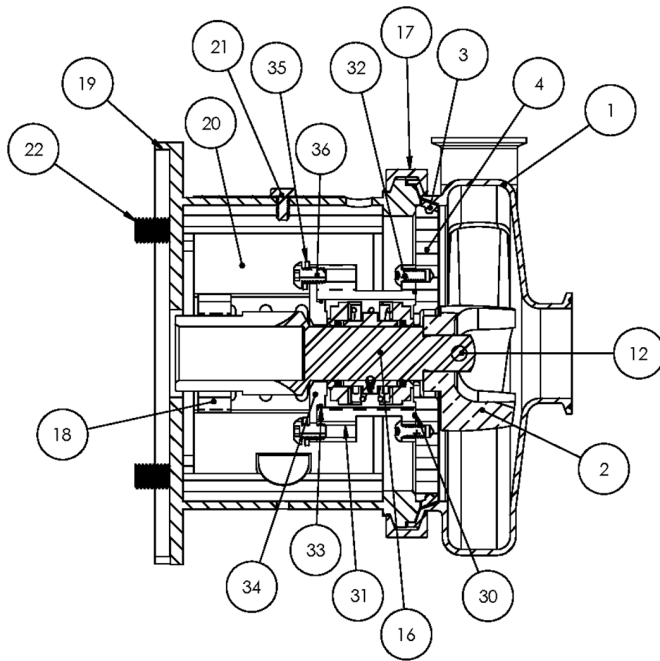
Ref #	Component Item No.	Description	Qty Per
1	<b>C+KIT-218/14</b>	<b>KIT,218,140TC,C+CONVRT,BUNA C</b>	<b>1</b>
	<i>C+KIT-218/14-E</i>	<i>KIT,218,140TC,C+CONVRT,EPDM C</i>	<i>1</i>
	<i>C+KIT-218/14-V</i>	<i>KIT,218,140TC,C+CONVRT,VIT C</i>	<i>1</i>



**Exploded View**

*Optional Items Shown in ITALICS*

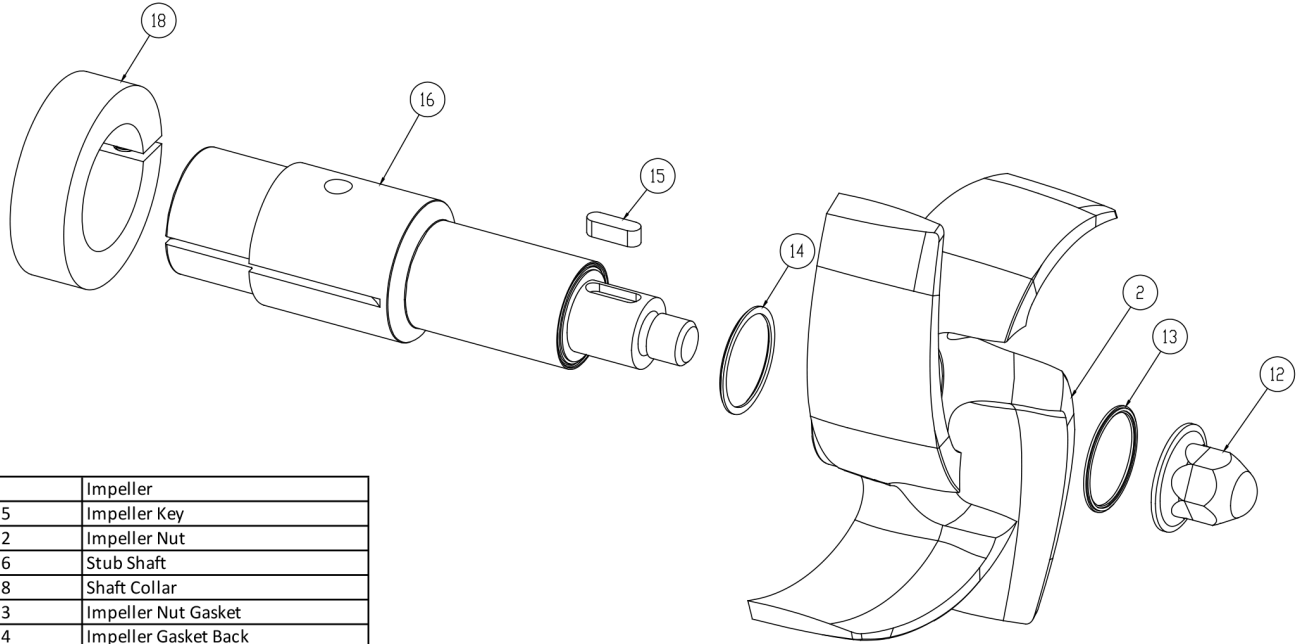
Ref #	Component Item No.	Description	Qty Per
1	<b>S318M-01D-E</b>	<b>CASING,3X1-1/2,TRI-CLMP C318/C+318</b>	1
	<i>S318T-01C-E</i>	<i>***DO NOT USE SEE NOTE*** CASING,3X1-1/2,BVL SEAT</i>	1
	<i>S318MI-01C-E</i>	<i>CASING,3X1-1/2,CLMP GLASS BEAD C C+</i>	1
	<i>S318S-01C-E</i>	<i>CASING,3X1-1/2,NPT C318/C+318</i>	1
	<i>S318F-01C-E</i>	<i>CASING,3X1-1/2,FLNGD C318/C+318</i>	1
2	<b>S218-02C-316L</b>	<b>IMPELLER,218/318 C UNIVERSAL</b>	1
3	<b>S328-90A-U</b>	<b>GASKET,218/328,CASING,BUNA C C+</b>	1
	<i>S328-90A-E</i>	<i>GASKET,218/328,CASING,EPDM C C+</i>	1
	<i>S328-90A-V</i>	<i>GASKET,218/328,CASING,VIT C C+</i>	1
4	<b>328E-11B-316</b>	<b>BACKPLATE,E,218/328 C C+</b>	1
6	<b>328E-80-1A</b>	<b>SEAL,218/328,3218,CARBON C C+</b>	2
7	<b>S328-80-2-U</b>	<b>O-RING,218/328,SEAL,BUNA C C+</b>	2
	<i>S328-80-2-E</i>	<i>O-RING,218/328,SEAL,EPDM,2-222 C C+</i>	2
	<i>S328-80-2-V</i>	<i>O-RING,218/328,SEAL,VIT C C+</i>	2
8	<b>328E-80-3P</b>	<b>CUP,E,218/318/328/428 C C+</b>	2
9	<b>328E-80-4A</b>	<b>SPRING,E,218/318/328/428 C C+</b>	1
10	<b>328E-23-316L</b>	<b>COLLAR,E,218/328/428,DRIVE C C+</b>	1
11	<b>SC1103A-SS</b>	<b>SCREW,SET,1/4-20X1/4 E BALANCED</b>	2
12	<b>328D-24B-316L</b>	<b>RETAINER,IMPLR</b>	1
17	<b>S328-75AR-S</b>	<b>CLAMP,218/328,CASING C C+</b>	1
18	<b>SX18000014</b>	<b>COLLAR,180TC,SHAFT LC</b>	1
19	<b>328D18T-71C-SS</b>	<b>ADAPTER,180TC FRAME,SS C218/C328/C+218/C+328</b>	1
20	<b>C328-18T-131-S</b>	<b>GUARD,SEAL,21/318/328/428,SS C C+ IC+ 180TC</b>	1
21	<b>GX5079600</b>	<b>CAPSCRW,HX,1/4-20X1/2,18-8SS HX HD</b>	1
22	<b>SC1710H-SS</b>	<b>CAPSCRW,HX,1/2-13X1,18-8SS HX HD</b>	4
30	<b>17-153-U</b>	<b>O-RING,218,STUFF BX,BUNA C</b>	1
	<i>17-153-E</i>	<i>O-RING,218,STUFF BX,EPDM C C+</i>	1



**Exploded View**

*Optional Items Shown in ITALICS*

Ref #	Component Item No.	Description	Qty Per
30	17-153-V	O-RING,218,STUFF BX,VIT C C+	1
31	328E-83B-316	STUFFING BOX,E,218/328 C C+	1
32	SC1308H-SS	CAPSCRW,BH,5/16-18 X1/2,18-8SS BUTTON HD	4
33	17-274-V	O-RING,218,FOLLOWER,VIT C C+	1
	17-274-E	O-RING,218,FOLLOWER,EPDM C C+	1
	17-274-U	O-RING,218,FOLLOWER,BUNA C C+	1
34	328E-17-316	FOLLOWER,E,218/328,+218/328 C C+	1
35	LWA-1300-SS	WASHER,LOCK,5/16,18-8SS	4
36	SC1308E-SS	CAPSCRW,BH,5/16-18X3/4,18-8SS BUTTON HD	4

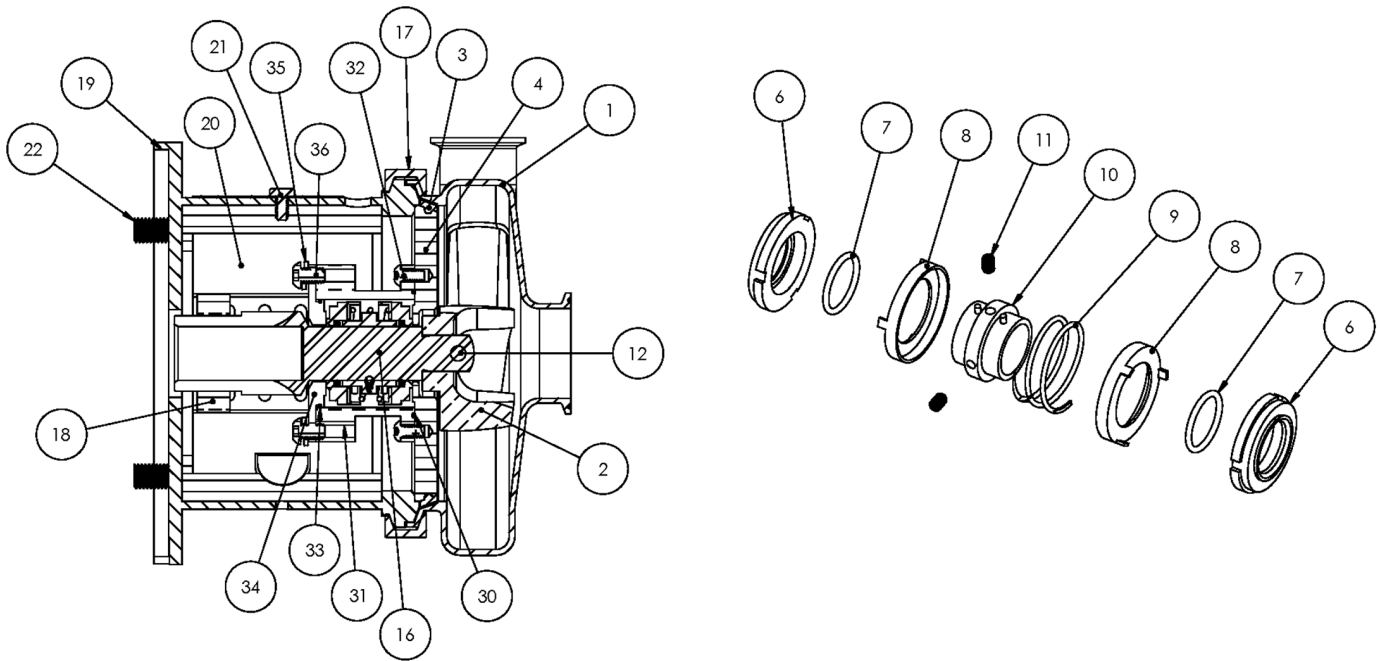


2	Impeller
15	Impeller Key
12	Impeller Nut
16	Stub Shaft
18	Shaft Collar
13	Impeller Nut Gasket
14	Impeller Gasket Back

**AC+ Conversion Kit**

*Optional Items Shown in ITALICS*

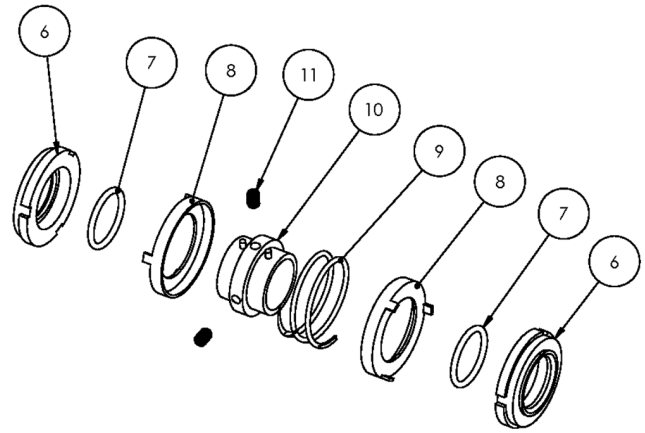
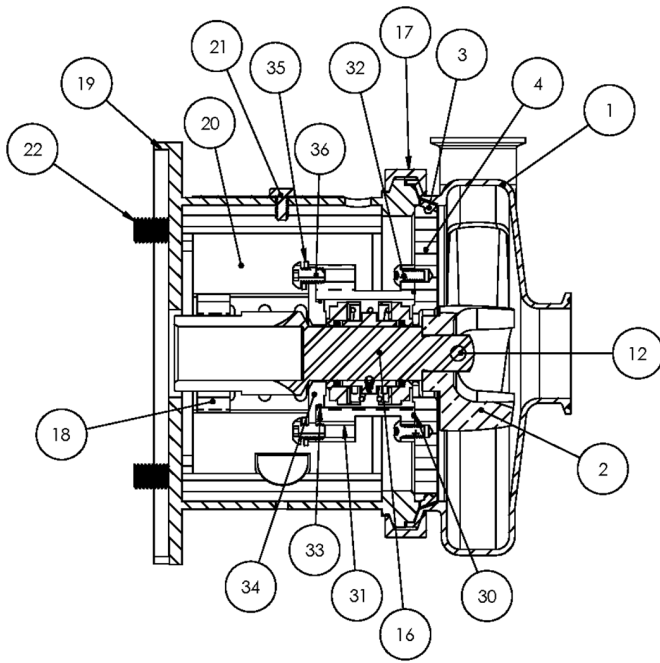
Ref #	Component Item No.	Description	Qty Per
1	<b>C+KIT-218/18</b>	<b>KIT,218,180TC,C+CONVRT,BUNA C</b>	<b>1</b>
	<i>C+KIT-218/18-E</i>	<i>KIT,218,180TC,C+CONVRT,EPDM C</i>	<i>1</i>
	<i>C+KIT-218/18-V</i>	<i>KIT,218,180TC,C+CONVRT,VIT C</i>	<i>1</i>



**Exploded View**

*Optional Items Shown in ITALICS*

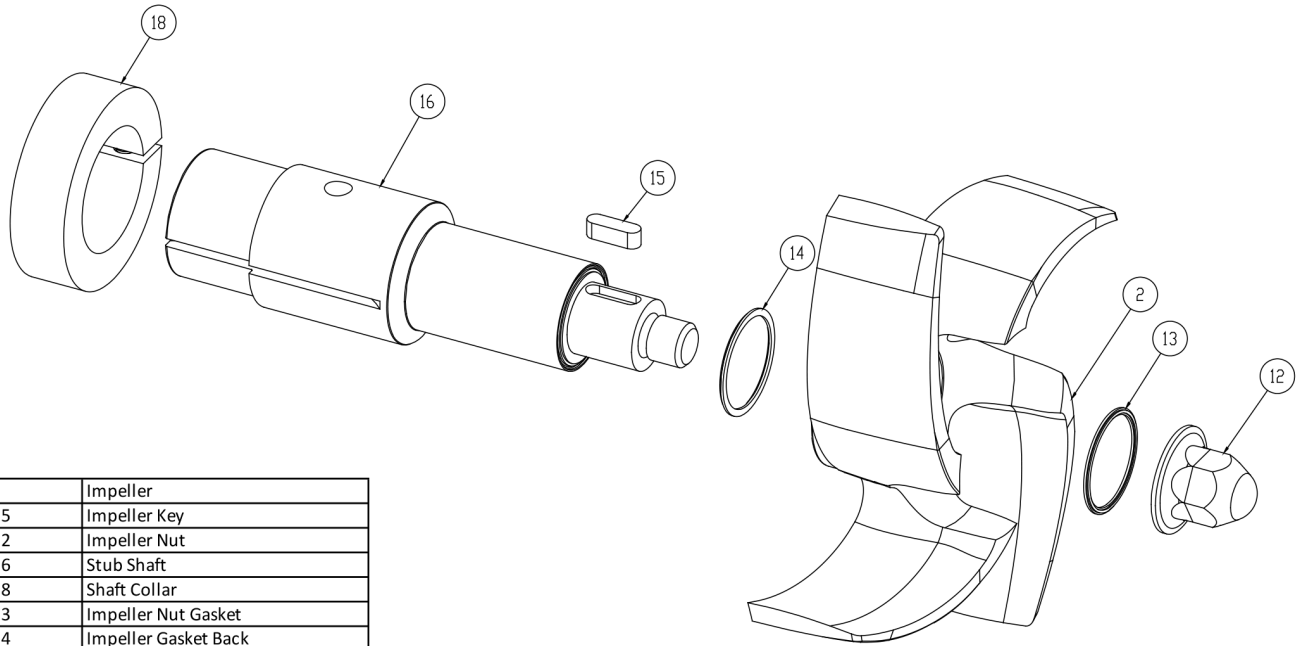
Ref #	Component Item No.	Description	Qty Per
1	<b>S318M-01D-E</b>	<b>CASING,3X1-1/2,TRI-CLMP C318/C+318</b>	1
	<i>S318T-01C-E</i>	<i>***DO NOT USE SEE NOTE*** CASING,3X1-1/2,BVL SEAT</i>	1
	<i>S318MI-01C-E</i>	<i>CASING,3X1-1/2,CLMP GLASS BEAD C C+</i>	1
	<i>S318S-01C-E</i>	<i>CASING,3X1-1/2,NPT C318/C+318</i>	1
	<i>S318F-01C-E</i>	<i>CASING,3X1-1/2,FLNGD C318/C+318</i>	1
2	<b>S218-02C-316L</b>	<b>IMPELLER,218/318 C UNIVERSAL</b>	1
3	<b>S328-90A-U</b>	<b>GASKET,218/328,CASING,BUNA C C+</b>	1
	<i>S328-90A-E</i>	<i>GASKET,218/328,CASING,EPDM C C+</i>	1
	<i>S328-90A-V</i>	<i>GASKET,218/328,CASING,VIT C C+</i>	1
4	<b>328E-11B-316</b>	<b>BACKPLATE,E,218/328 C C+</b>	1
6	<b>328E-80-1A</b>	<b>SEAL,218/328,3218,CARBON C C+</b>	2
7	<b>S328-80-2-U</b>	<b>O-RING,218/328,SEAL,BUNA C C+</b>	2
	<i>S328-80-2-E</i>	<i>O-RING,218/328,SEAL,EPDM,2-222 C C+</i>	2
	<i>S328-80-2-V</i>	<i>O-RING,218/328,SEAL,VIT C C+</i>	2
8	<b>328E-80-3P</b>	<b>CUP,E,218/318/328/428 C C+</b>	2
9	<b>328E-80-4A</b>	<b>SPRING,E,218/318/328/428 C C+</b>	1
10	<b>328E-23-316L</b>	<b>COLLAR,E,218/328/428,DRIVE C C+</b>	1
11	<b>SC1103A-SS</b>	<b>SCREW,SET,1/4-20X1/4 E BALANCED</b>	2
12	<b>328D-24B-316L</b>	<b>RETAINER,IMPLR</b>	1
16	<b>CS328E21T-06</b>	<b>STUBSHAFT,210TC,UNIVRSL C218/C328</b>	1
17	<b>S328-75AR-S</b>	<b>CLAMP,218/328,CASING C C+</b>	1
18	<b>SX18000015</b>	<b>COLLAR,210TC,SHAFT LC</b>	1
19	<b>328D21T-71C-SS</b>	<b>ADAPTER,210TC FRAME,SS C218/C328/C+218/C+328</b>	1
20	<b>C328-21T-131-S</b>	<b>GUARD,SEAL,218/318/328/428,SS C C+ CB+ 210TC</b>	1
21	<b>GX5079600</b>	<b>CAPSCRW,HX,1/4-20X1/2,18-8SS HX HD</b>	1
22	<b>SC1710H-SS</b>	<b>CAPSCRW,HX,1/2-13X1,18-8SS HX HD</b>	4
30	<b>17-153-U</b>	<b>O-RING,218,STUFF BX,BUNA C</b>	1



**Exploded View**

*Optional Items Shown in ITALICS*

Ref #	Component Item No.	Description	Qty Per
30	<i>17-153-E</i>	<i>O-RING,218,STUFF BX,EPDM C C+</i>	1
	<i>17-153-V</i>	<i>O-RING,218,STUFF BX,VIT C C+</i>	1
31	<b>328E-83B-316</b>	<b>STUFFING BOX,E,218/328 C C+</b>	1
32	<b>SC1308H-SS</b>	<b>CAPSCRW,BH,5/16-18 X1/2,18-8SS BUTTON HD</b>	4
33	<b>17-274-U</b>	<b>O-RING,218,FOLLOWER,BUNA C C+</b>	1
	<i>17-274-E</i>	<i>O-RING,218,FOLLOWER,EPDM C C+</i>	1
	<i>17-274-V</i>	<i>O-RING,218,FOLLOWER,VIT C C+</i>	1
34	<b>328E-17-316</b>	<b>FOLLOWER,E,218/328,+218/328 C C+</b>	1
35	<b>LWA-1300-SS</b>	<b>WASHER,LOCK,5/16,18-8SS</b>	4
36	<b>SC1308E-SS</b>	<b>CAPSCRW,BH,5/16-18X3/4,18-8SS BUTTON HD</b>	4

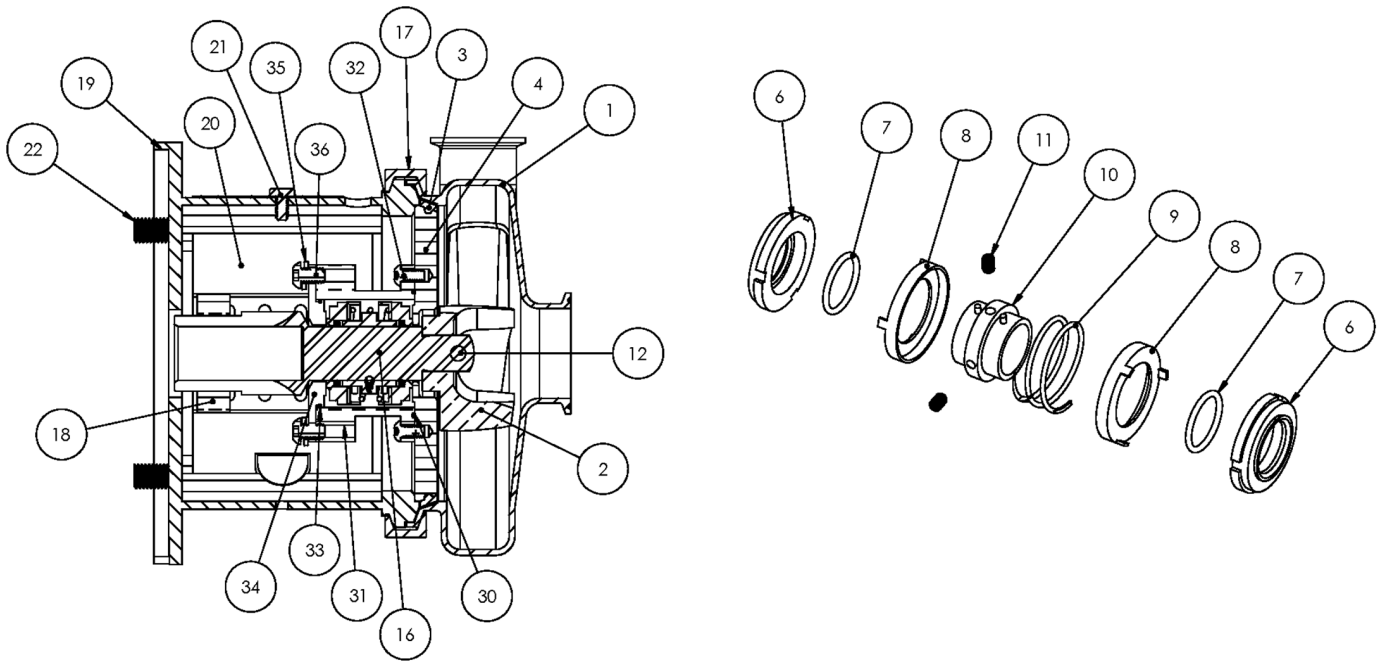


2	Impeller
15	Impeller Key
12	Impeller Nut
16	Stub Shaft
18	Shaft Collar
13	Impeller Nut Gasket
14	Impeller Gasket Back

**AC+ Conversion Kit**

*Optional Items Shown in ITALICS*

Ref #	Component Item No.	Description	Qty Per
1	<b>C+KIT-218/21</b>	<b>KIT,218,210TC,C+CONVRT,BUNA C</b>	<b>1</b>
	<i>C+KIT-218/21-E</i>	<i>KIT,218,210TC,C+CONVRT,EPDM C</i>	<i>1</i>
	<i>C+KIT-218/21-V</i>	<i>KIT,218,210TC,C+CONVRT,VIT C</i>	<i>1</i>

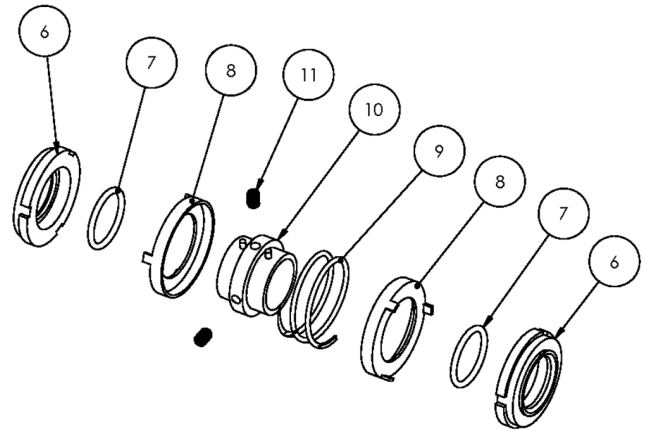
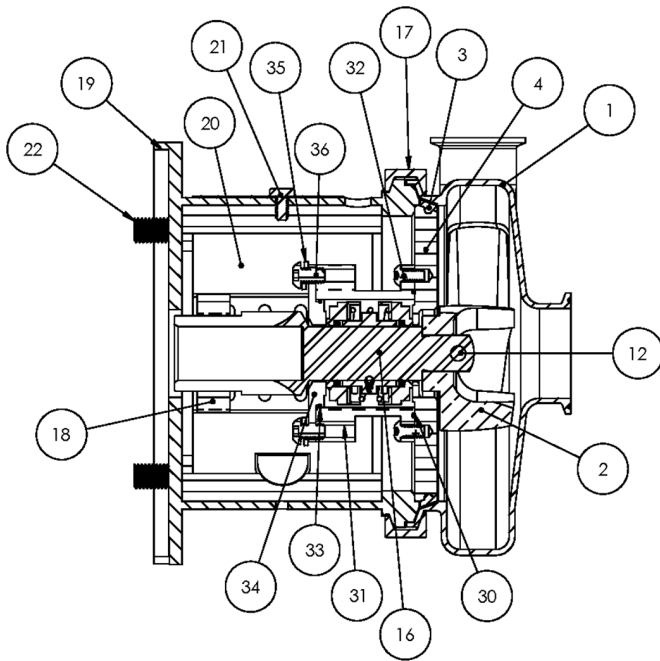


**Exploded View**

*Optional Items Shown in ITALICS*

Ref #	Component Item No.	Description	Qty Per
1	<b>S318M-01D-E</b>	<b>CASING,3X1-1/2,TRI-CLMP C318/C+318</b>	1
	<i>S318T-01C-E</i>	<i>***DO NOT USE SEE NOTE*** CASING,3X1-1/2,BVL SEAT</i>	1
	<i>S318MI-01C-E</i>	<i>CASING,3X1-1/2,CLMP GLASS BEAD C C+</i>	1
	<i>S318S-01C-E</i>	<i>CASING,3X1-1/2,NPT C318/C+318</i>	1
	<i>S318F-01C-E</i>	<i>CASING,3X1-1/2,FLNGD C318/C+318</i>	1
2	<b>S218-02C-316L</b>	<b>IMPELLER,218/318 C UNIVERSAL</b>	1
3	<b>S328-90A-U</b>	<b>GASKET,218/328,CASING,BUNA C C+</b>	1
	<i>S328-90A-E</i>	<i>GASKET,218/328,CASING,EPDM C C+</i>	1
	<i>S328-90A-V</i>	<i>GASKET,218/328,CASING,VIT C C+</i>	1
4	<b>328E-11B-316</b>	<b>BACKPLATE,E,218/328 C C+</b>	1
6	<b>328E-80-1A</b>	<b>SEAL,218/328,3218,CARBON C C+</b>	2
7	<b>S328-80-2-U</b>	<b>O-RING,218/328,SEAL,BUNA C C+</b>	2
	<i>S328-80-2-E</i>	<i>O-RING,218/328,SEAL,EPDM,2-222 C C+</i>	2
	<i>S328-80-2-V</i>	<i>O-RING,218/328,SEAL,VIT C C+</i>	2
8	<b>328E-80-3P</b>	<b>CUP,E,218/318/328/428 C C+</b>	2
9	<b>328E-80-4A</b>	<b>SPRING,E,218/318/328/428 C C+</b>	1
10	<b>328E-23-316L</b>	<b>COLLAR,E,218/328/428,DRIVE C C+</b>	1
11	<b>SC1103A-SS</b>	<b>SCREW,SET,1/4-20X1/4 E BALANCED</b>	2
12	<b>328D-24B-316L</b>	<b>RETAINER,IMPLR</b>	1
16	<b>CS328E25T-06</b>	<b>STUBSHAFT,250TC,UNIVRSL C218/C328</b>	1
17	<b>S328-75AR-S</b>	<b>CLAMP,218/328,CASING C C+</b>	1
18	<b>SX18000016</b>	<b>COLLAR,250TC/280TSC,SHAFT LC</b>	1
19	<b>328D25T-71C-SS</b>	<b>ADAPTER,250TC FRAME,SS C218/C328/C+218/C+328</b>	1
20	<b>C328-25T-131-S</b>	<b>GUARD,SEAL,218/328/428,SS C C+ CB+ 250TC</b>	1
21	<b>GX5079600</b>	<b>CAPSCRW,HX,1/4-20X1/2,18-8SS HX HD</b>	1
22	<b>SC1710H-SS</b>	<b>CAPSCRW,HX,1/2-13X1,18-8SS HX HD</b>	4
30	<b>17-153-U</b>	<b>O-RING,218,STUFF BX,BUNA C</b>	1

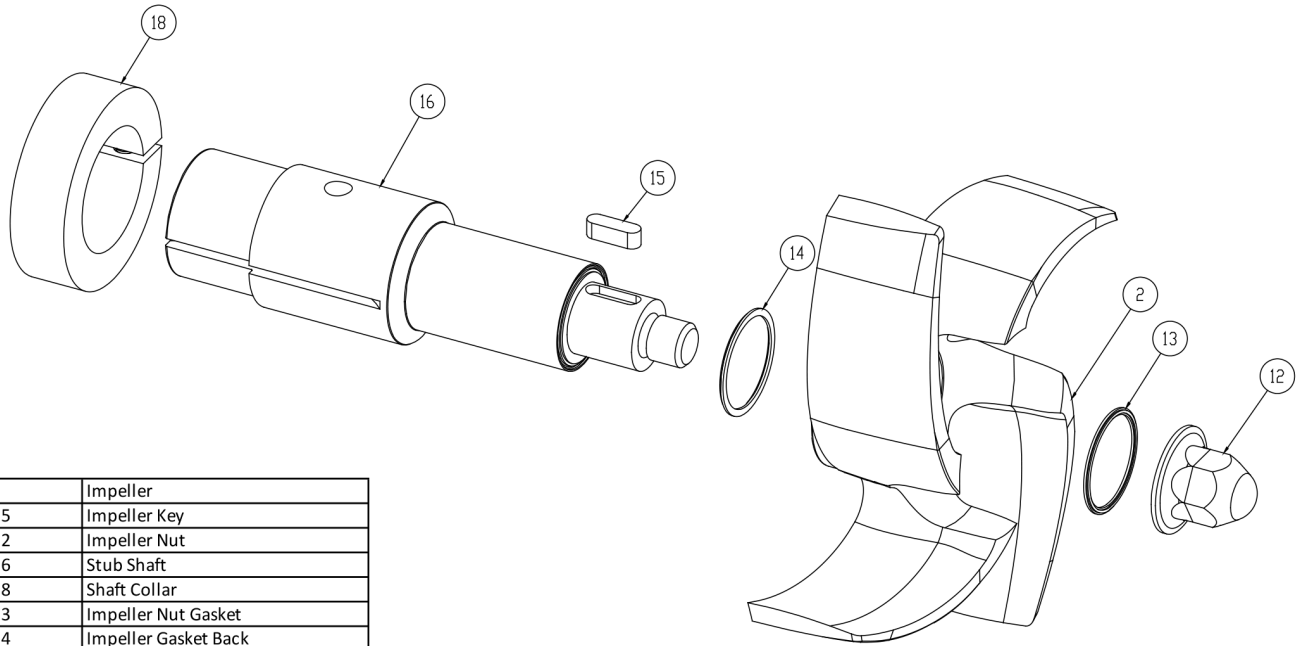




**Exploded View**

*Optional Items Shown in ITALICS*

Ref #	Component Item No.	Description	Qty Per
30	<i>17-153-E</i>	<i>O-RING,218,STUFF BX,EPDM C C+</i>	1
	<i>17-153-V</i>	<i>O-RING,218,STUFF BX,VIT C C+</i>	1
31	<b>328E-83B-316</b>	<b>STUFFING BOX,E,218/328 C C+</b>	1
32	<b>SC1308H-SS</b>	<b>CAPSCRW,BH,5/16-18 X1/2,18-8SS BUTTON HD</b>	4
33	<i>17-274-V</i>	<i>O-RING,218,FOLLOWER,VIT C C+</i>	1
	<i>17-274-U</i>	<i>O-RING,218,FOLLOWER,BUNA C C+</i>	1
	<i>17-274-E</i>	<i>O-RING,218,FOLLOWER,EPDM C C+</i>	1
34	<b>328E-17-316</b>	<b>FOLLOWER,E,218/328,+218/328 C C+</b>	1
35	<b>LWA-1300-SS</b>	<b>WASHER,LOCK,5/16,18-8SS</b>	4
36	<b>SC1308E-SS</b>	<b>CAPSCRW,BH,5/16-18X3/4,18-8SS BUTTON HD</b>	4

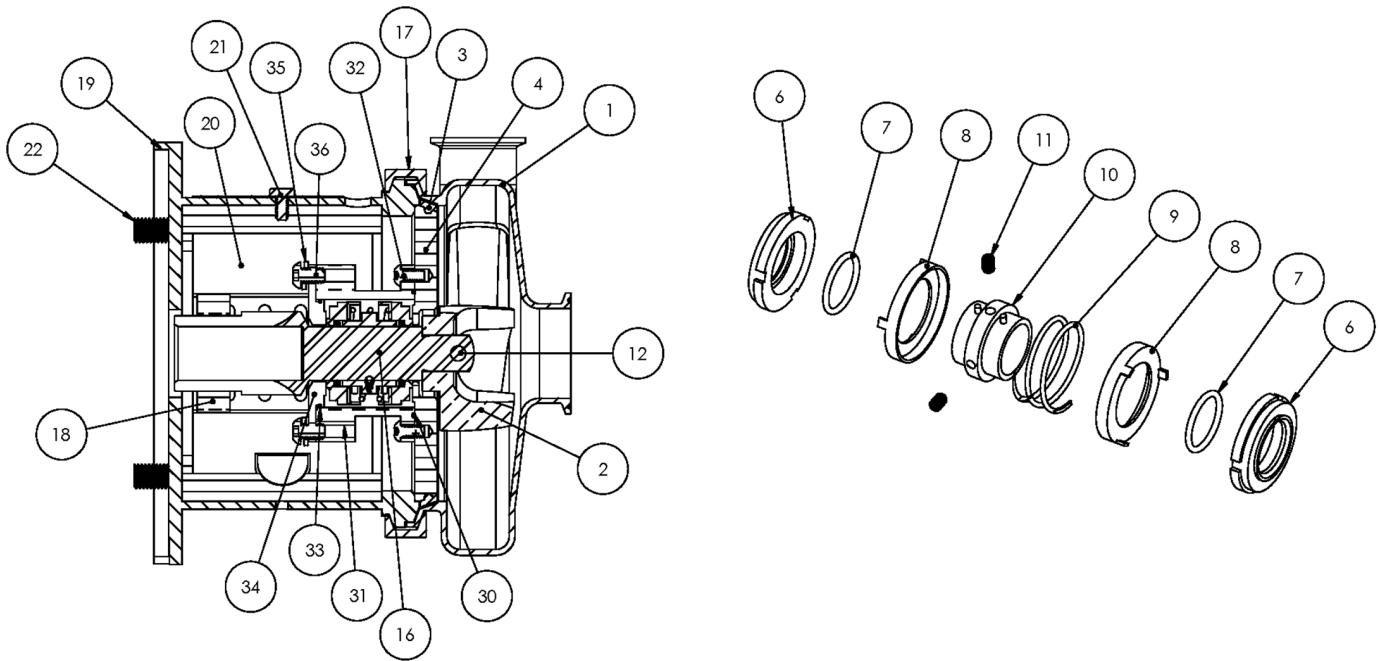


2	Impeller
15	Impeller Key
12	Impeller Nut
16	Stub Shaft
18	Shaft Collar
13	Impeller Nut Gasket
14	Impeller Gasket Back

**AC+ Conversion Kit**

*Optional Items Shown in ITALICS*

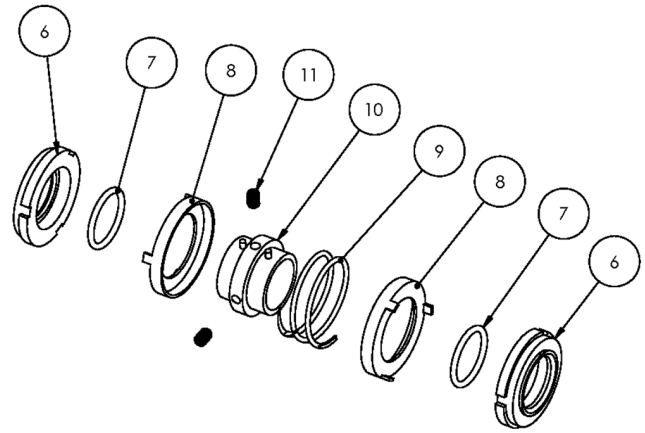
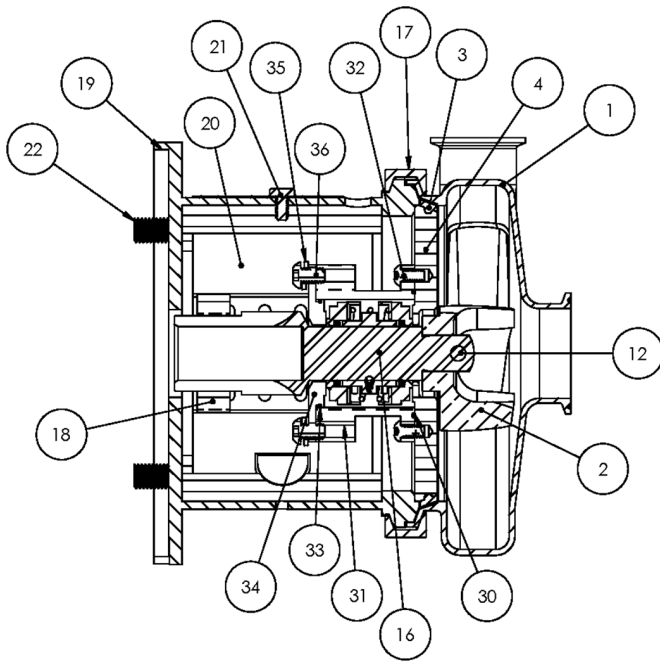
Ref #	Component Item No.	Description	Qty Per
1	<b>C+KIT-218/25</b>	<b>KIT,218,250TC,C+CONVRT,BUNA C</b>	<b>1</b>
	<i>C+KIT-218/25-E</i>	<i>KIT,218,250TC,C+CONVRT,EPDM C</i>	<i>1</i>
	<i>C+KIT-218/25-V</i>	<i>KIT,218,250TC,C+CONVRT,VIT C</i>	<i>1</i>



**Exploded View**

*Optional Items Shown in ITALICS*

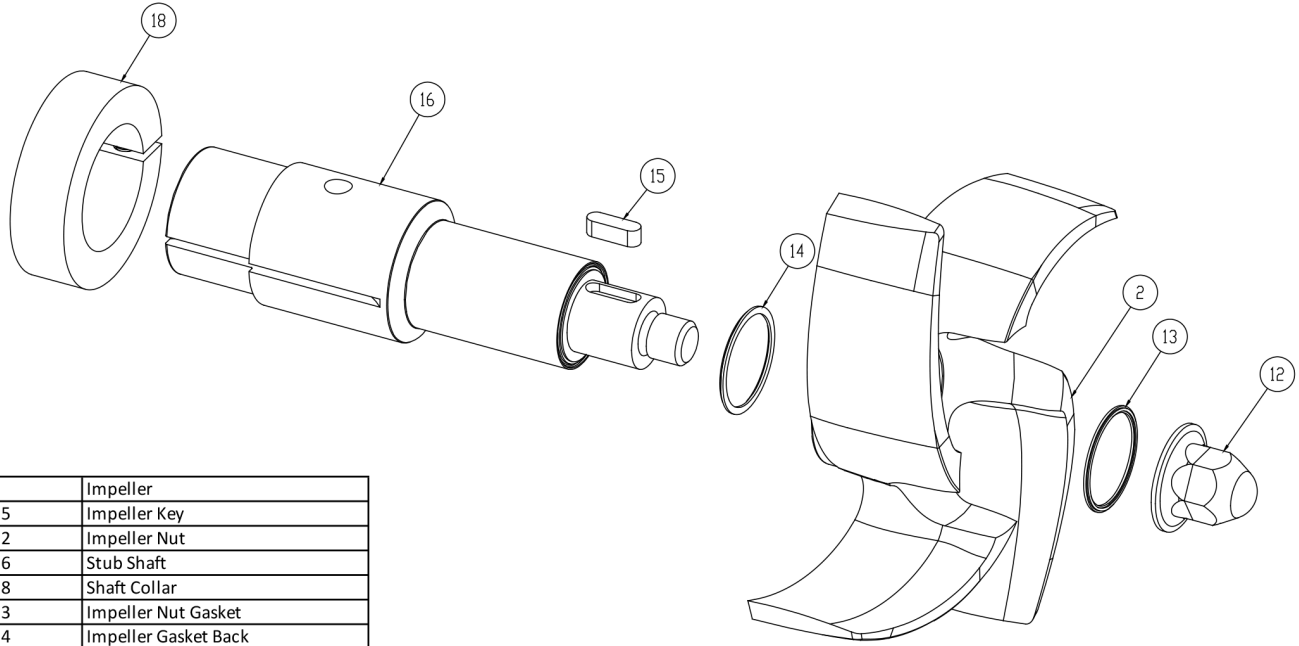
Ref #	Component Item No.	Description	Qty Per
1	<b>S318M-01D-E</b>	<b>CASING,3X1-1/2,TRI-CLMP C318/C+318</b>	1
	<i>S318T-01C-E</i>	<i>***DO NOT USE SEE NOTE*** CASING,3X1-1/2,BVL SEAT</i>	1
	<i>S318MI-01C-E</i>	<i>CASING,3X1-1/2,CLMP GLASS BEAD C C+</i>	1
	<i>S318S-01C-E</i>	<i>CASING,3X1-1/2,NPT C318/C+318</i>	1
	<i>S318F-01C-E</i>	<i>CASING,3X1-1/2,FLNGD C318/C+318</i>	1
2	<b>S218-02C-316L</b>	<b>IMPELLER,218/318 C UNIVERSAL</b>	1
3	<b>S328-90A-U</b>	<b>GASKET,218/328,CASING,BUNA C C+</b>	1
	<i>S328-90A-E</i>	<i>GASKET,218/328,CASING,EPDM C C+</i>	1
	<i>S328-90A-V</i>	<i>GASKET,218/328,CASING,VIT C C+</i>	1
4	<b>328E-11B-316</b>	<b>BACKPLATE,E,218/328 C C+</b>	1
6	<b>328E-80-1A</b>	<b>SEAL,218/328,3218,CARBON C C+</b>	2
7	<b>S328-80-2-U</b>	<b>O-RING,218/328,SEAL,BUNA C C+</b>	2
	<i>S328-80-2-E</i>	<i>O-RING,218/328,SEAL,EPDM,2-222 C C+</i>	2
	<i>S328-80-2-V</i>	<i>O-RING,218/328,SEAL,VIT C C+</i>	2
8	<b>328E-80-3P</b>	<b>CUP,E,218/318/328/428 C C+</b>	2
9	<b>328E-80-4A</b>	<b>SPRING,E,218/318/328/428 C C+</b>	1
10	<b>328E-23-316L</b>	<b>COLLAR,E,218/328/428,DRIVE C C+</b>	1
11	<b>SC1103A-SS</b>	<b>SCREW,SET,1/4-20X1/4 E BALANCED</b>	2
12	<b>328D-24B-316L</b>	<b>RETAINER,IMPLR</b>	1
16	<b>CS328E28T-06</b>	<b>STUBSHAFT,280TC,UNIVRSL C218/C328</b>	1
17	<b>S328-75AR-S</b>	<b>CLAMP,218/328,CASING C C+</b>	1
18	<b>SX18000027</b>	<b>COLLAR,280TC/320TSC,SHAFT LC</b>	1
19	<b>328D28T-71C-SS</b>	<b>ADAPTER,280TC/TSC FRAME,SS C218/C328/C+218/C+328</b>	1
20	<b>C328-28T-131-S</b>	<b>GUARD,SEAL,218/328/428/4410,SS C C+</b>	1
21	<b>GX5079600</b>	<b>CAPSCRW,HX,1/4-20X1/2,18-8SS HX HD</b>	1
22	<b>SC1710H-SS</b>	<b>CAPSCRW,HX,1/2-13X1,18-8SS HX HD</b>	4
30	<b>17-153-U</b>	<b>O-RING,218,STUFF BX,BUNA C</b>	1



**Exploded View**

*Optional Items Shown in ITALICS*

Ref #	Component Item No.	Description	Qty Per
30	<i>17-153-E</i>	<i>O-RING,218,STUFF BX,EPDM C C+</i>	1
	<i>17-153-V</i>	<i>O-RING,218,STUFF BX,VIT C C+</i>	1
31	<b>328E-83B-316</b>	<b>STUFFING BOX,E,218/328 C C+</b>	1
32	<b>SC1308H-SS</b>	<b>CAPSCRW,BH,5/16-18 X1/2,18-8SS BUTTON HD</b>	4
33	<b>17-274-U</b>	<b>O-RING,218,FOLLOWER,BUNA C C+</b>	1
	<i>17-274-E</i>	<i>O-RING,218,FOLLOWER,EPDM C C+</i>	1
	<i>17-274-V</i>	<i>O-RING,218,FOLLOWER,VIT C C+</i>	1
34	<b>328E-17-316</b>	<b>FOLLOWER,E,218/328,+218/328 C C+</b>	1
35	<b>LWA-1300-SS</b>	<b>WASHER,LOCK,5/16,18-8SS</b>	4
36	<b>SC1308E-SS</b>	<b>CAPSCRW,BH,5/16-18X3/4,18-8SS BUTTON HD</b>	4

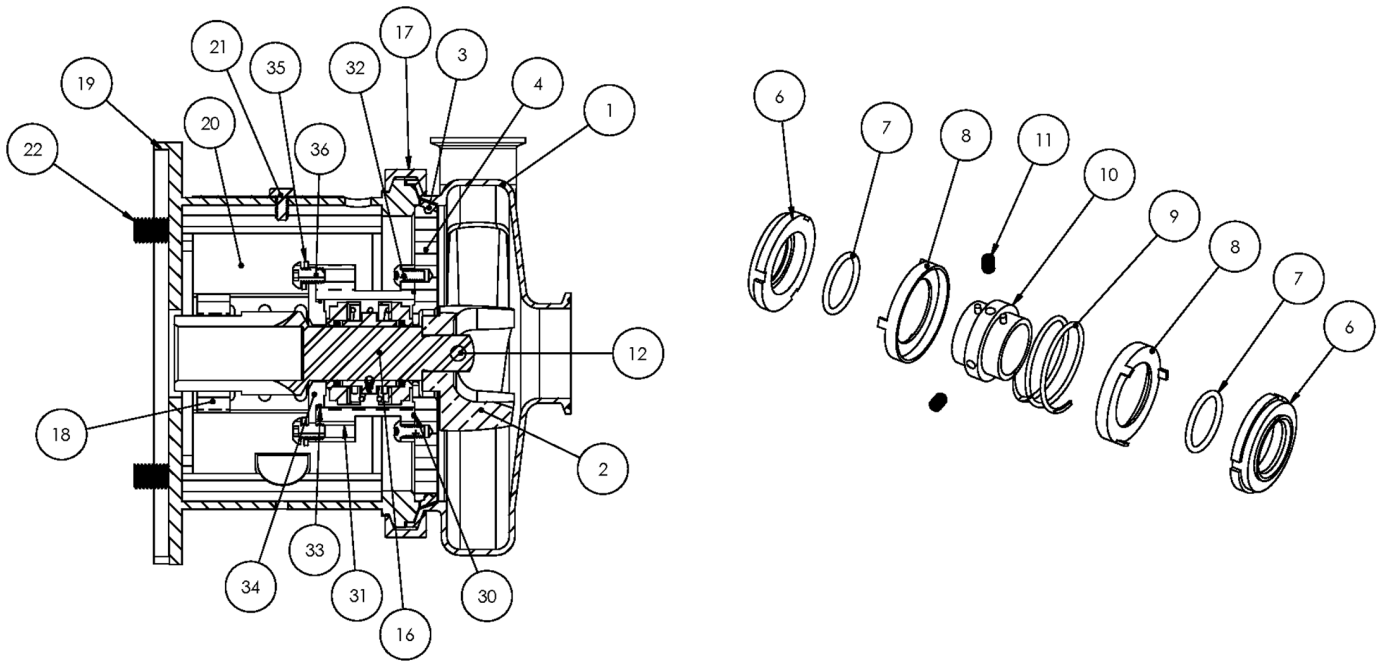


2	Impeller
15	Impeller Key
12	Impeller Nut
16	Stub Shaft
18	Shaft Collar
13	Impeller Nut Gasket
14	Impeller Gasket Back

**AC+ Conversion Kit**

*Optional Items Shown in ITALICS*

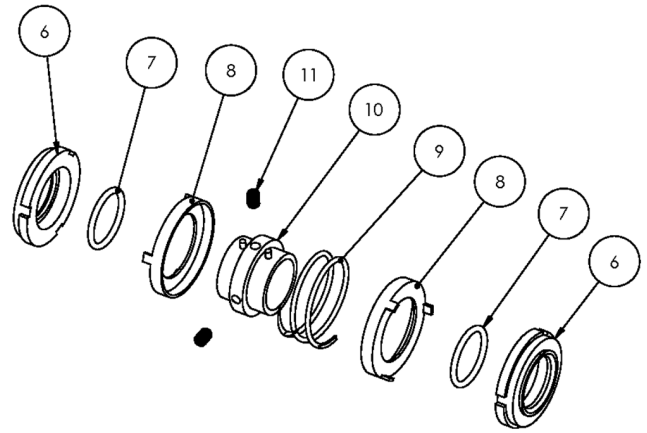
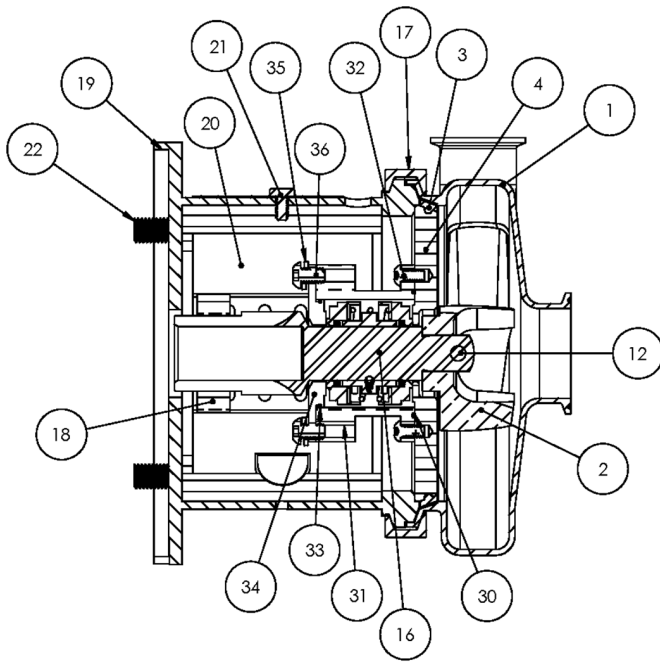
Ref #	Component Item No.	Description	Qty Per
1	<b>C+KIT-218/28</b>	<b>KIT,218,280TC,C+CONVRT,BUNA C</b>	<b>1</b>
	<i>C+KIT-218/28-E</i>	<i>KIT,218,280TC,C+CONVRT,EPDM C</i>	<i>1</i>
	<i>C+KIT-218/28-V</i>	<i>KIT,218,280TC,C+CONVRT,VIT C</i>	<i>1</i>



**Exploded View**

*Optional Items Shown in ITALICS*

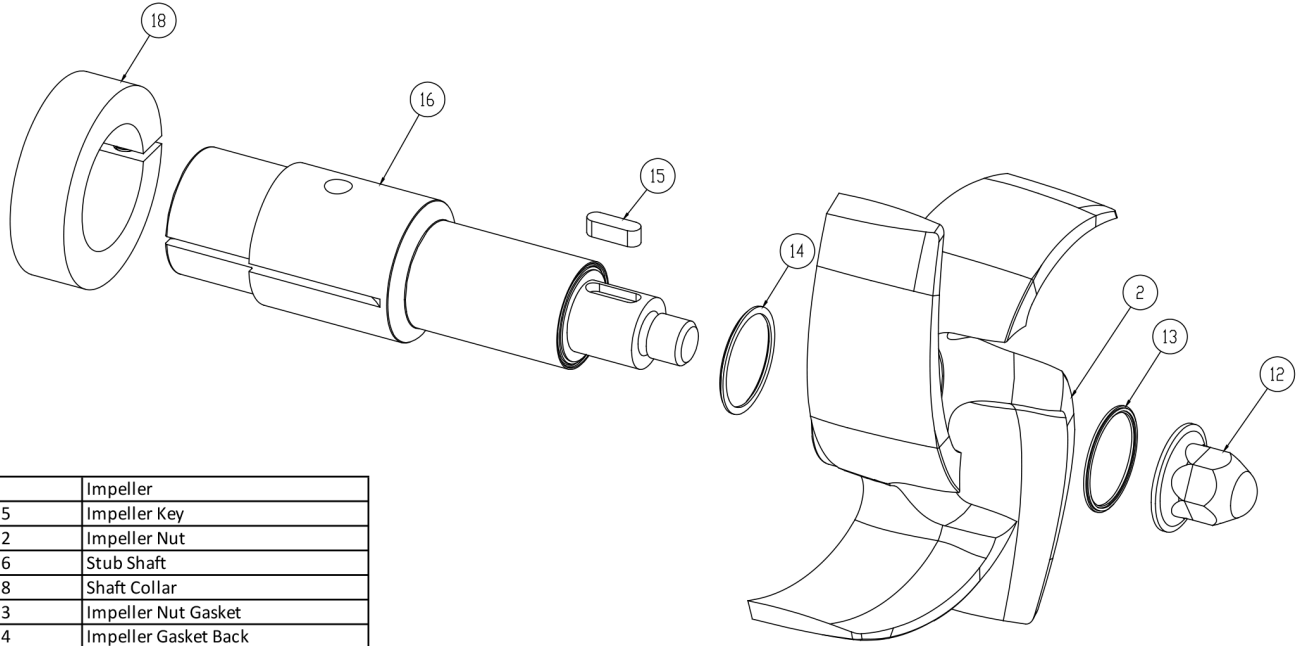
Ref #	Component Item No.	Description	Qty Per
1	<b>S318M-01D-E</b>	<b>CASING,3X1-1/2,TRI-CLMP C318/C+318</b>	1
	<i>S318T-01C-E</i>	<i>***DO NOT USE SEE NOTE*** CASING,3X1-1/2,BVL SEAT</i>	1
	<i>S318MI-01C-E</i>	<i>CASING,3X1-1/2,CLMP GLASS BEAD C C+</i>	1
	<i>S318S-01C-E</i>	<i>CASING,3X1-1/2,NPT C318/C+318</i>	1
	<i>S318F-01C-E</i>	<i>CASING,3X1-1/2,FLNGD C318/C+318</i>	1
2	<b>S218-02C-316L</b>	<b>IMPELLER,218/318 C UNIVERSAL</b>	1
3	<b>S328-90A-U</b>	<b>GASKET,218/328,CASING,BUNA C C+</b>	1
	<i>S328-90A-E</i>	<i>GASKET,218/328,CASING,EPDM C C+</i>	1
	<i>S328-90A-V</i>	<i>GASKET,218/328,CASING,VIT C C+</i>	1
4	<b>328E-11B-316</b>	<b>BACKPLATE,E,218/328 C C+</b>	1
6	<b>328E-80-1A</b>	<b>SEAL,218/328,3218,CARBON C C+</b>	2
7	<b>S328-80-2-U</b>	<b>O-RING,218/328,SEAL,BUNA C C+</b>	2
	<i>S328-80-2-E</i>	<i>O-RING,218/328,SEAL,EPDM,2-222 C C+</i>	2
	<i>S328-80-2-V</i>	<i>O-RING,218/328,SEAL,VIT C C+</i>	2
8	<b>328E-80-3P</b>	<b>CUP,E,218/318/328/428 C C+</b>	2
9	<b>328E-80-4A</b>	<b>SPRING,E,218/318/328/428 C C+</b>	1
10	<b>328E-23-316L</b>	<b>COLLAR,E,218/328/428,DRIVE C C+</b>	1
11	<b>SC1103A-SS</b>	<b>SCREW,SET,1/4-20X1/4 E BALANCED</b>	2
12	<b>328D-24B-316L</b>	<b>RETAINER,IMPLR</b>	1
16	<b>CS328E28TS-06</b>	<b>STUBSHAFT,280TSC,UNIVRSL C218/C328</b>	1
17	<b>S328-75AR-S</b>	<b>CLAMP,218/328,CASING C C+</b>	1
18	<b>SX18000035</b>	<b>COLLAR,250TC/280TSC,SHAFT LC</b>	1
19	<b>328D28T-71C-SS</b>	<b>ADAPTER,280TC/TSC FRAME,SS C218/C328/C+218/C+328</b>	1
20	<b>C328-28T-131-S</b>	<b>GUARD,SEAL,218/328/428/4410,SS C C+</b>	1
21	<b>GX5079600</b>	<b>CAPSCRW,HX,1/4-20X1/2,18-8SS HX HD</b>	1
22	<b>SC1710H-SS</b>	<b>CAPSCRW,HX,1/2-13X1,18-8SS HX HD</b>	4
30	<b>17-153-U</b>	<b>O-RING,218,STUFF BX,BUNA C</b>	1



**Exploded View**

*Optional Items Shown in ITALICS*

Ref #	Component Item No.	Description	Qty Per
30	<i>17-153-E</i>	<i>O-RING,218,STUFF BX,EPDM C C+</i>	1
	<i>17-153-V</i>	<i>O-RING,218,STUFF BX,VIT C C+</i>	1
31	<b>328E-83B-316</b>	<b>STUFFING BOX,E,218/328 C C+</b>	1
32	<b>SC1308H-SS</b>	<b>CAPSCRW,BH,5/16-18 X1/2,18-8SS BUTTON HD</b>	4
33	<i>17-274-U</i>	<i>O-RING,218,FOLLOWER,BUNA C C+</i>	1
	<i>17-274-V</i>	<i>O-RING,218,FOLLOWER,VIT C C+</i>	1
	<i>17-274-E</i>	<i>O-RING,218,FOLLOWER,EPDM C C+</i>	1
34	<b>328E-17-316</b>	<b>FOLLOWER,E,218/328,+218/328 C C+</b>	1
35	<b>LWA-1300-SS</b>	<b>WASHER,LOCK,5/16,18-8SS</b>	4
36	<b>SC1308E-SS</b>	<b>CAPSCRW,BH,5/16-18X3/4,18-8SS BUTTON HD</b>	4



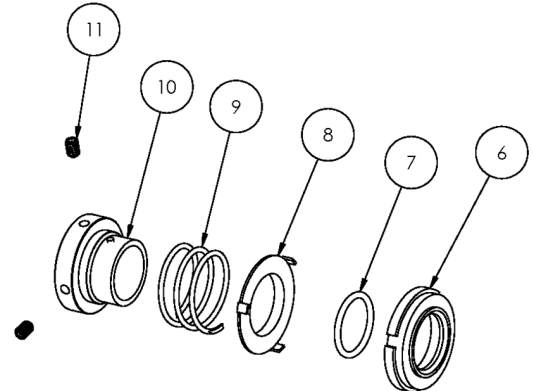
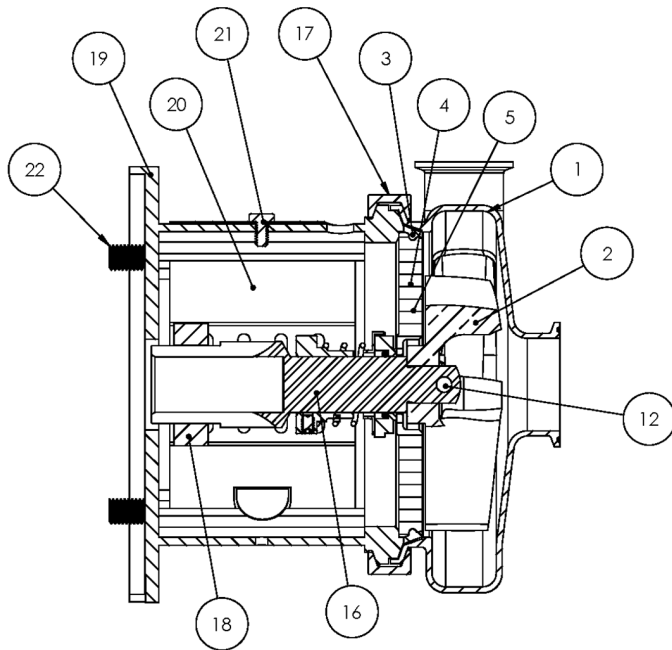
2	Impeller
15	Impeller Key
12	Impeller Nut
16	Stub Shaft
18	Shaft Collar
13	Impeller Nut Gasket
14	Impeller Gasket Back

**AC+ Conversion Kit**

*Optional Items Shown in ITALICS*

Ref #	Component Item No.	Description	Qty Per
1	<b>C+KIT-218/28TS</b>	<b>KIT,218,280TSC,C+CONVRT,BUNA C</b>	<b>1</b>
	<i>C+KIT-218/28TSE</i>	<i>KIT,218,280TSC,C+CONVRT,EPDM C</i>	<i>1</i>
	<i>C+KIT-218/28TSV</i>	<i>KIT,218,280TSC,C+CONVRT,VIT C</i>	<i>1</i>

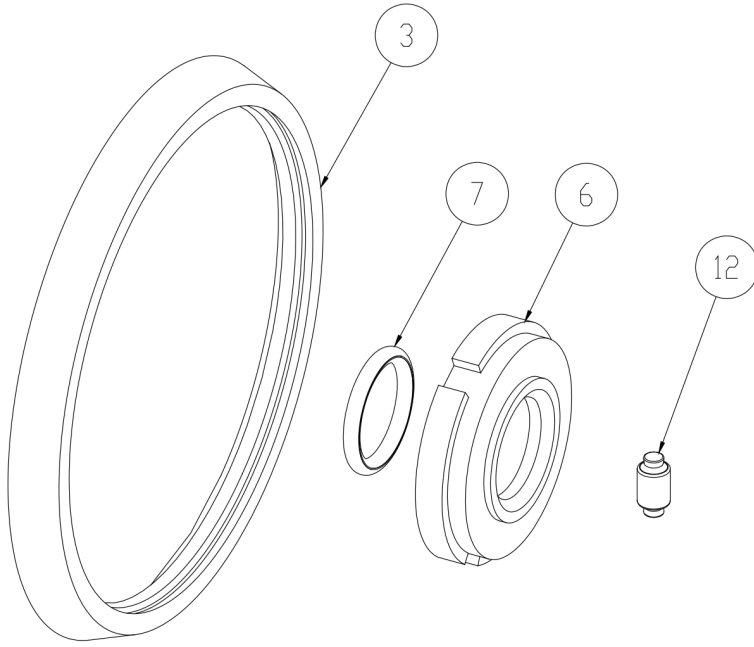




**Exploded View**

*Optional Items Shown in ITALICS*

Ref #	Component Item No.	Description	Qty Per
1	<b>S328M-01C</b>	<b>CASING,3X2,TRI-CLMP C328/C+328</b>	1
	<i>S328T-01C</i>	<i>CASING,3X2,BVL SEAT C328/C+328</i>	1
	<i>S328MI-01C</i>	<i>CASING,3X2,CLMP GLASS BEAD C328/C+328</i>	1
	<i>S328S-01C</i>	<i>CASING,3X2,FEMALE NPT C328/C+328</i>	1
	<i>S328F-01D</i>	<i>CASING,3X2,FLNGD C328/C+328</i>	1
2	<b>S328-02C</b>	<b>IMPELLER,328/428 C UNIVERSAL</b>	1
3	<b>S328-90A-U</b>	<b>GASKET,218/328,CASING,BUNA C C+</b>	1
	<i>S328-90A-E</i>	<i>GASKET,218/328,CASING,EPDM C C+</i>	1
	<i>S328-90A-V</i>	<i>GASKET,218/328,CASING,VIT C C+</i>	1
4	<b>328D-11-316</b>	<b>BACKPLATE,D,218/328,+218/+328 C C+</b>	1
5	<b>216D-11-1-S</b>	<b>PIN,BACKPLT,114/216/328 C C+</b>	2
6	<b>328E-80-1A</b>	<b>SEAL,218/328,3218,CARBON C C+</b>	1
7	<b>S328-80-2-U</b>	<b>O-RING,218/328,SEAL,BUNA C C+</b>	1
	<i>S328-80-2-E</i>	<i>O-RING,218/328,SEAL,EPDM,2-222 C C+</i>	1
	<i>S328-80-2-V</i>	<i>O-RING,218/328,SEAL,VIT C C+</i>	1
8	<b>328D-80-3P</b>	<b>CUP,D,218/318/328/428 C C+</b>	1
9	<b>328D-80-4</b>	<b>SPRING,D,218/328/428,+3218 C C+ DB</b>	1
10	<b>SP328D-23P-S</b>	<b>COLLAR,D,218/328/+3218,DRIVE C C+</b>	1
11	<b>SC1105A-SS</b>	<b>SCREW,SET,DRV COLLR,1/4-20X3/8 -SS</b>	2
12	<b>328D-24B-316L</b>	<b>RETAINER,IMPLR</b>	1
16	<b>C328E-14TP-06</b>	<b>STUBSHAFT,140TC C+218/328</b>	1
17	<b>S328-75AR-S</b>	<b>CLAMP,218/328,CASING C C+</b>	1
18	<b>SX18000013</b>	<b>COLLAR,56C/140TC,SHAFT L SEE ITEM NOTES</b>	1
19	<b>328D14T-71C-SS</b>	<b>ADAPTER,140TC FRAME,SS C218/C328/C+218/C+328</b>	1
20	<b>C328-14T-131-S</b>	<b>GUARD,SEAL,218/328,SS C C+ CB+</b>	1
21	<b>GX5079600</b>	<b>CAPSCRW,HX,1/4-20X1/2,18-8SS HX HD</b>	1
22	<b>GX5077100</b>	<b>CAPSCRW,HX,3/8-16X1,18-8SS HX HD</b>	4

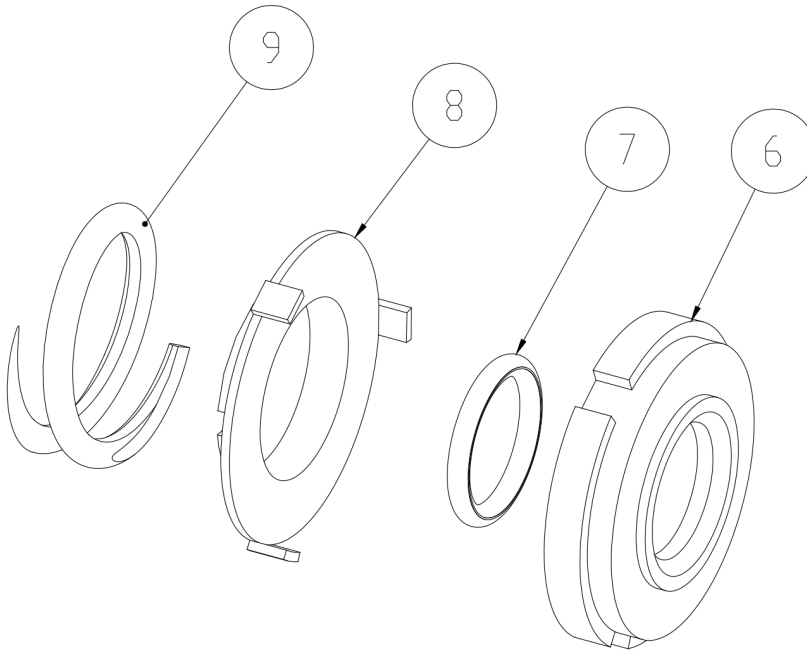


3	Casing Gasket
6	Seal Carbon
7	Seal O-Ring
12	Impeller Pin

**Seal Kit #1**

*Optional Items Shown in ITALICS*

Ref #	Component Item No.	Description	Qty Per
1	<b>KIT#1-C218-B</b>	<b>KIT,#1,218/328,SEAL,BUNA C</b>	<b>1</b>
	<i>KIT#1-C218-E</i>	<i>KIT,#1,SEAL,218/328,EPDM C</i>	<i>1</i>
	<i>KIT#1-C218-S</i>	<i>KIT,#1,SEAL,218/328,SFY,VIT C</i>	<i>1</i>

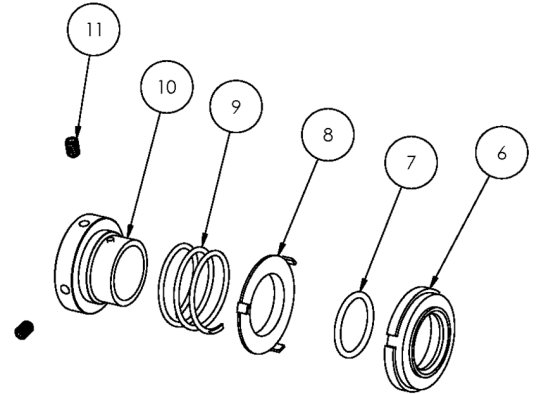
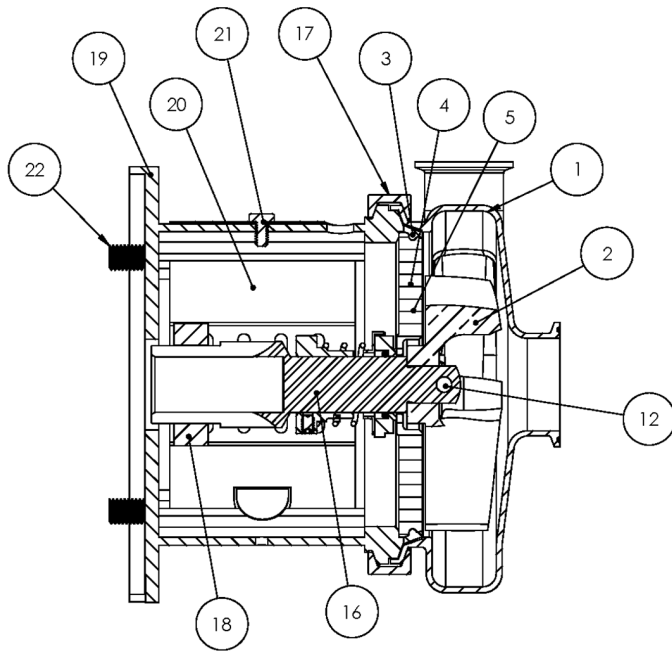


6	Seal Carbon
7	Seal O-Ring
8	Cup D Seal
9	Spring D Seal

**Seal Kit #3**

*Optional Items Shown in ITALICS*

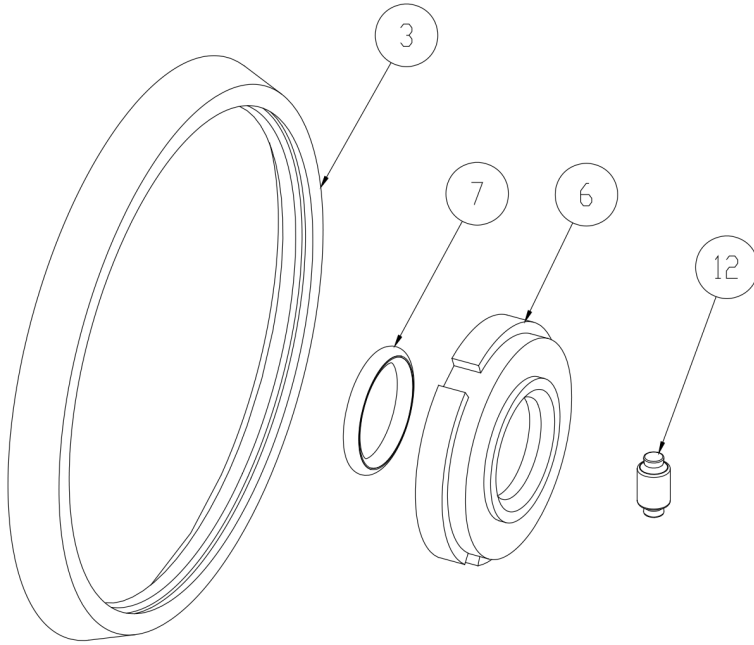
Ref #	Component Item No.	Description	Qty Per
1	<b>KIT#3-C218-B</b>	<b>KIT,#3,218/328,SEAL,BUNA C</b>	<b>1</b>
	<i>KIT#3-C218-E</i>	<i>KIT,#3,SEAL,218/328,EPDM C</i>	<i>1</i>
	<i>KIT#3-C218-S</i>	<i>KIT,#3,SEAL,218/328,SFY,VIT C</i>	<i>1</i>



**Exploded View**

*Optional Items Shown in ITALICS*

Ref #	Component Item No.	Description	Qty Per
1	<b>S328M-01C</b>	<b>CASING,3X2,TRI-CLMP C328/C+328</b>	1
	<i>S328T-01C</i>	<i>CASING,3X2,BVL SEAT C328/C+328</i>	1
	<i>S328MI-01C</i>	<i>CASING,3X2,CLMP GLASS BEAD C328/C+328</i>	1
	<i>S328S-01C</i>	<i>CASING,3X2,FEMALE NPT C328/C+328</i>	1
	<i>S328F-01D</i>	<i>CASING,3X2,FLNGD C328/C+328</i>	1
2	<b>S328-02C</b>	<b>IMPELLER,328/428 C UNIVERSAL</b>	1
3	<b>S328-90A-U</b>	<b>GASKET,218/328,CASING,BUNA C C+</b>	1
	<i>S328-90A-E</i>	<i>GASKET,218/328,CASING,EPDM C C+</i>	1
	<i>S328-90A-V</i>	<i>GASKET,218/328,CASING,VIT C C+</i>	1
4	<b>328D-11-316</b>	<b>BACKPLATE,D,218/328,+218/+328 C C+</b>	1
5	<b>216D-11-1-S</b>	<b>PIN,BACKPLT,114/216/328 C C+</b>	2
6	<b>328E-80-1A</b>	<b>SEAL,218/328,3218,CARBON C C+</b>	1
7	<b>S328-80-2-U</b>	<b>O-RING,218/328,SEAL,BUNA C C+</b>	1
	<i>S328-80-2-E</i>	<i>O-RING,218/328,SEAL,EPDM,2-222 C C+</i>	1
	<i>S328-80-2-V</i>	<i>O-RING,218/328,SEAL,VIT C C+</i>	1
8	<b>328D-80-3P</b>	<b>CUP,D,218/318/328/428 C C+</b>	1
9	<b>328D-80-4</b>	<b>SPRING,D,218/328/428,+3218 C C+ DB</b>	1
10	<b>SP328D-23P-S</b>	<b>COLLAR,D,218/328/+3218,DRIVE C C+</b>	1
11	<b>SC1105A-SS</b>	<b>SCREW,SET,DRV COLLR,1/4-20X3/8 -SS</b>	2
12	<b>328D-24B-316L</b>	<b>RETAINER,IMPLR</b>	1
17	<b>S328-75AR-S</b>	<b>CLAMP,218/328,CASING C C+</b>	1
18	<b>SX18000014</b>	<b>COLLAR,180TC,SHAFT LC</b>	1
19	<b>328D18T-71C-SS</b>	<b>ADAPTER,180TC FRAME,SS C218/C328/C+218/C+328</b>	1
20	<b>C328-18T-131-S</b>	<b>GUARD,SEAL,21/318/328/428,SS C C+ IC+ 180TC</b>	1
21	<b>GX5079600</b>	<b>CAPSCRW,HX,1/4-20X1/2,18-8SS HX HD</b>	1
22	<b>SC1710H-SS</b>	<b>CAPSCRW,HX,1/2-13X1,18-8SS HX HD</b>	4

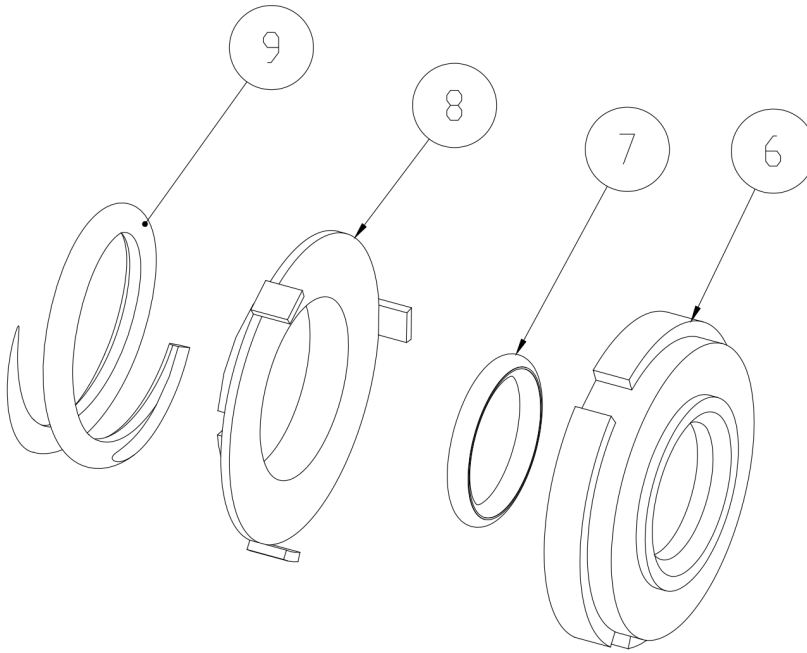


3	Casing Gasket
6	Seal Carbon
7	Seal O-Ring
12	Impeller Pin

**Seal Kit #1**

*Optional Items Shown in ITALICS*

Ref #	Component Item No.	Description	Qty Per
1	<b>KIT#1-C218-B</b>	<b>KIT,#1,218/328,SEAL,BUNA C</b>	<b>1</b>
	<i>KIT#1-C218-E</i>	<i>KIT,#1,SEAL,218/328,EPDM C</i>	<i>1</i>
	<i>KIT#1-C218-S</i>	<i>KIT,#1,SEAL,218/328,SFY,VIT C</i>	<i>1</i>

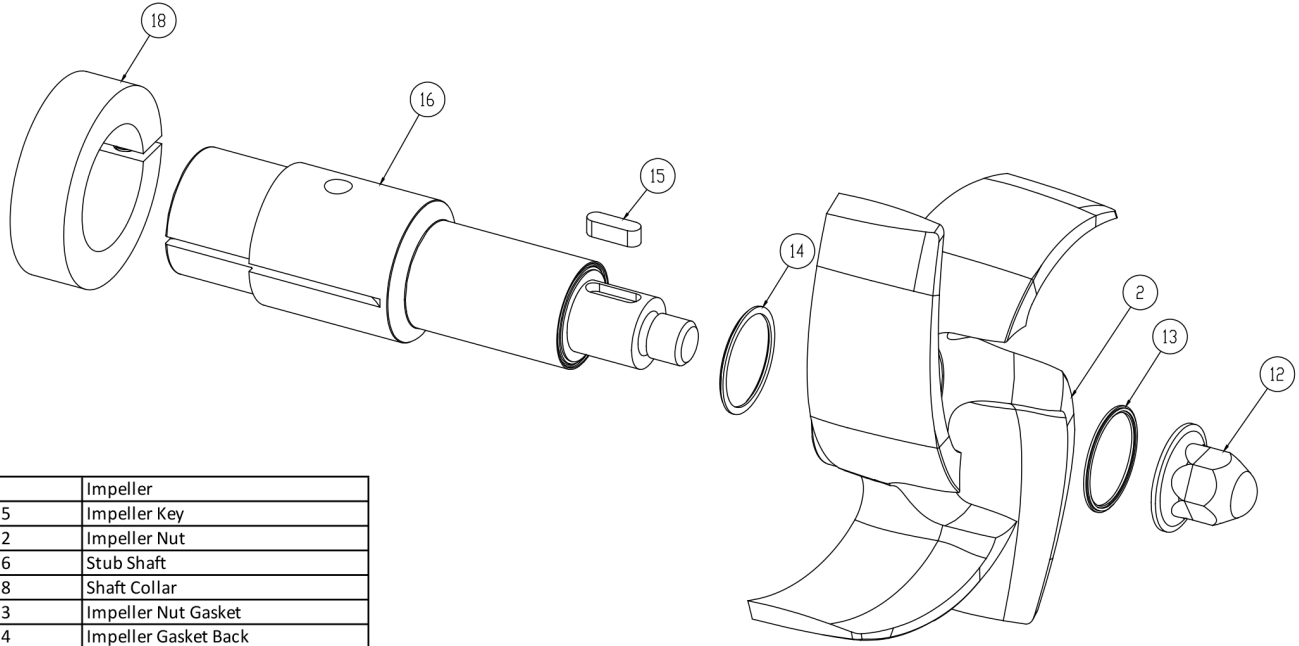


6	Seal Carbon
7	Seal O-Ring
8	Cup D Seal
9	Spring D Seal

**Seal Kit #3**

*Optional Items Shown in ITALICS*

Ref #	Component Item No.	Description	Qty Per
1	<b>KIT#3-C218-B</b>	<b>KIT,#3,218/328,SEAL,BUNA C</b>	<b>1</b>
	<i>KIT#3-C218-E</i>	<i>KIT,#3,SEAL,218/328,EPDM C</i>	<i>1</i>
	<i>KIT#3-C218-S</i>	<i>KIT,#3,SEAL,218/328,SFY,VIT C</i>	<i>1</i>

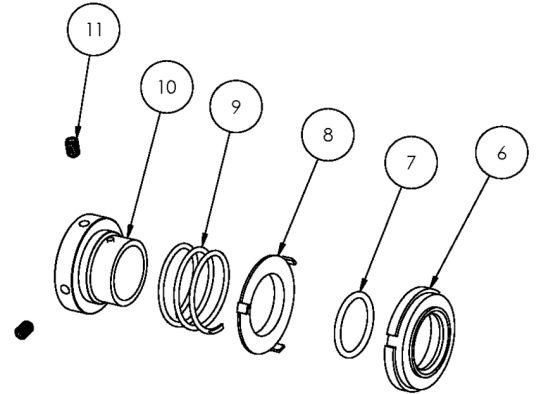
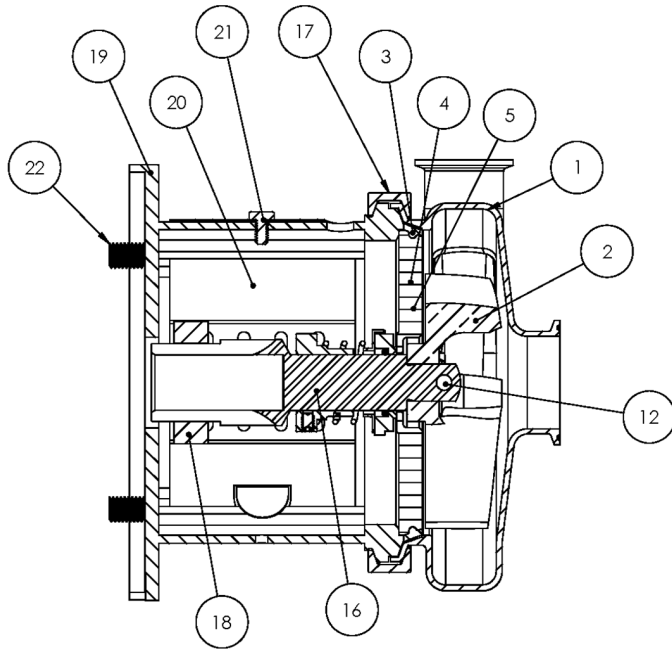


2	Impeller
15	Impeller Key
12	Impeller Nut
16	Stub Shaft
18	Shaft Collar
13	Impeller Nut Gasket
14	Impeller Gasket Back

**AC+ Conversion Kit**

*Optional Items Shown in ITALICS*

Ref #	Component Item No.	Description	Qty Per
1	<b>C+KIT-328/18</b>	<b>KIT,328,180TC,C+CONVRT,BUNA C</b>	<b>1</b>
	<i>C+KIT-328/18-E</i>	<i>KIT,328,180TC,C+CONVRT,EPDM C</i>	<i>1</i>
	<i>C+KIT-328/18-V</i>	<i>KIT,328,180TC,C+CONVRT,VIT C</i>	<i>1</i>

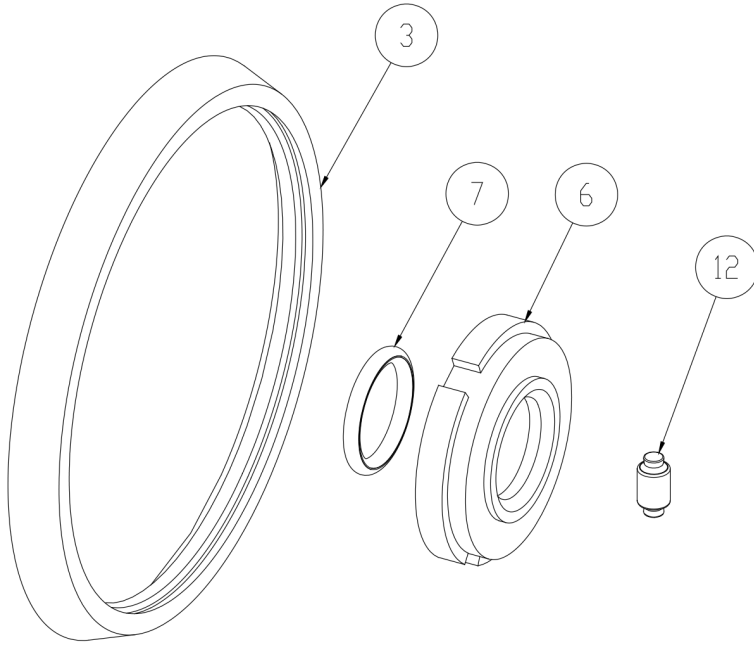


**Exploded View**

*Optional Items Shown in ITALICS*

Ref #	Component Item No.	Description	Qty Per
1	<b>S328M-01C</b>	<b>CASING,3X2,TRI-CLMP C328/C+328</b>	1
	<i>S328T-01C</i>	<i>CASING,3X2,BVL SEAT C328/C+328</i>	1
	<i>S328MI-01C</i>	<i>CASING,3X2,CLMP GLASS BEAD C328/C+328</i>	1
	<i>S328S-01C</i>	<i>CASING,3X2,FEMALE NPT C328/C+328</i>	1
	<i>S328F-01D</i>	<i>CASING,3X2,FLNGD C328/C+328</i>	1
2	<b>S328-02C</b>	<b>IMPELLER,328/428 C UNIVERSAL</b>	1
3	<b>S328-90A-U</b>	<b>GASKET,218/328,CASING,BUNA C C+</b>	1
	<i>S328-90A-E</i>	<i>GASKET,218/328,CASING,EPDM C C+</i>	1
	<i>S328-90A-V</i>	<i>GASKET,218/328,CASING,VIT C C+</i>	1
4	<b>328D-11-316</b>	<b>BACKPLATE,D,218/328,+218/+328 C C+</b>	1
5	<b>216D-11-1-S</b>	<b>PIN,BACKPLT,114/216/328 C C+</b>	2
6	<b>328E-80-1A</b>	<b>SEAL,218/328,3218,CARBON C C+</b>	1
7	<b>S328-80-2-U</b>	<b>O-RING,218/328,SEAL,BUNA C C+</b>	1
	<i>S328-80-2-E</i>	<i>O-RING,218/328,SEAL,EPDM,2-222 C C+</i>	1
	<i>S328-80-2-V</i>	<i>O-RING,218/328,SEAL,VIT C C+</i>	1
8	<b>328D-80-3P</b>	<b>CUP,D,218/318/328/428 C C+</b>	1
9	<b>328D-80-4</b>	<b>SPRING,D,218/328/428,+3218 C C+ DB</b>	1
10	<b>SP328D-23P-S</b>	<b>COLLAR,D,218/328/+3218,DRIVE C C+</b>	1
11	<b>SC1105A-SS</b>	<b>SCREW,SET,DRV COLLR,1/4-20X3/8 -SS</b>	2
12	<b>328D-24B-316L</b>	<b>RETAINER,IMPLR</b>	1
16	<b>CS328E21T-06</b>	<b>STUBSHAFT,210TC,UNIVRSL C218/C328</b>	1
17	<b>S328-75AR-S</b>	<b>CLAMP,218/328,CASING C C+</b>	1
18	<b>SX18000015</b>	<b>COLLAR,210TC,SHAFT LC</b>	1
19	<b>328D21T-71C-SS</b>	<b>ADAPTER,210TC FRAME,SS C218/C328/C+218/C+328</b>	1
20	<b>C328-21T-131-S</b>	<b>GUARD,SEAL,218/318/328/428,SS C C+ CB+ 210TC</b>	1
21	<b>GX5079600</b>	<b>CAPSCRW,HX,1/4-20X1/2,18-8SS HX HD</b>	1
22	<b>SC1710H-SS</b>	<b>CAPSCRW,HX,1/2-13X1,18-8SS HX HD</b>	4



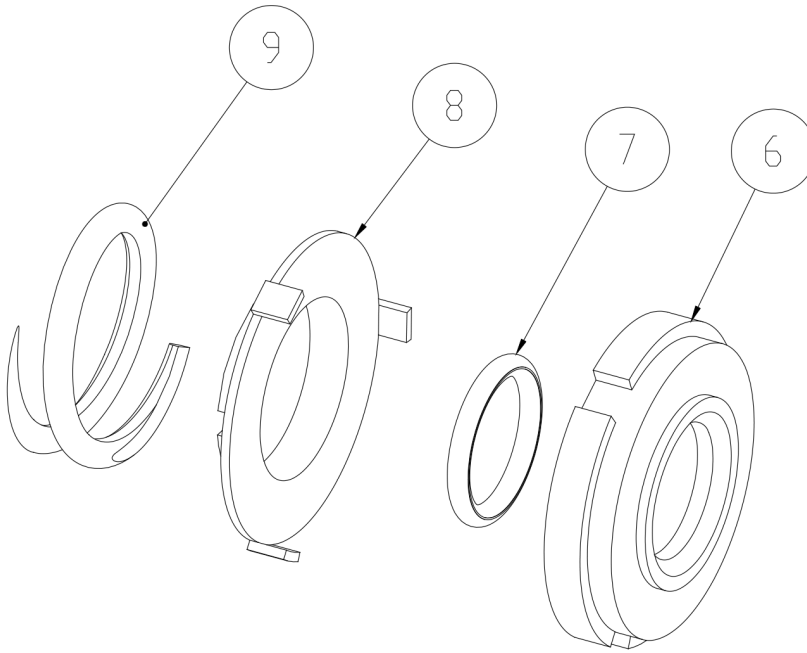


3	Casing Gasket
6	Seal Carbon
7	Seal O-Ring
12	Impeller Pin

**Seal Kit #1**

*Optional Items Shown in ITALICS*

Ref #	Component Item No.	Description	Qty Per
1	<b>KIT#1-C218-B</b>	<b>KIT,#1,218/328,SEAL,BUNA C</b>	<b>1</b>
	<i>KIT#1-C218-E</i>	<i>KIT,#1,SEAL,218/328,EPDM C</i>	<i>1</i>
	<i>KIT#1-C218-S</i>	<i>KIT,#1,SEAL,218/328,SFY,VIT C</i>	<i>1</i>

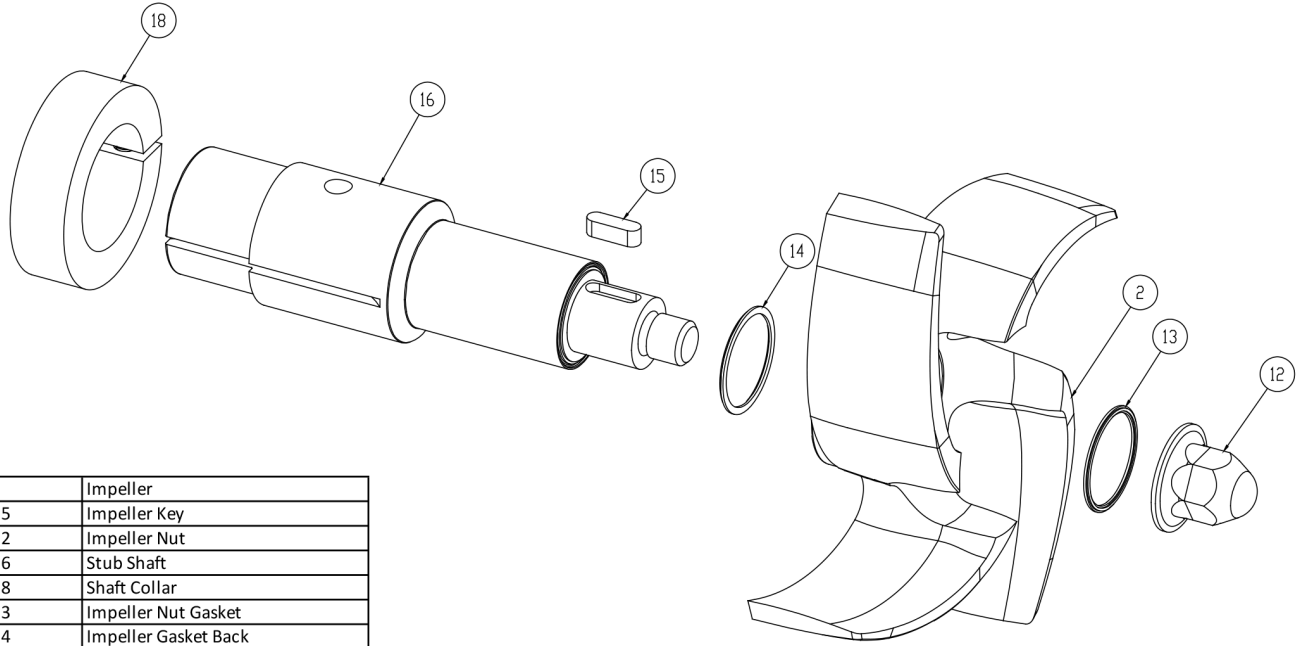


6	Seal Carbon
7	Seal O-Ring
8	Cup D Seal
9	Spring D Seal

**Seal Kit #3**

*Optional Items Shown in ITALICS*

Ref #	Component Item No.	Description	Qty Per
1	<b>KIT#3-C218-B</b>	<b>KIT,#3,218/328,SEAL,BUNA C</b>	<b>1</b>
	<i>KIT#3-C218-E</i>	<i>KIT,#3,SEAL,218/328,EPDM C</i>	<i>1</i>
	<i>KIT#3-C218-S</i>	<i>KIT,#3,SEAL,218/328,SFY,VIT C</i>	<i>1</i>

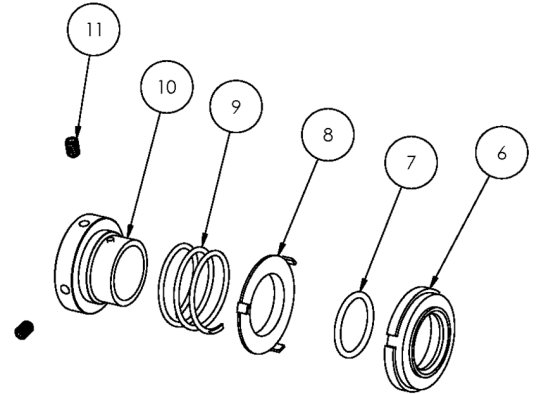
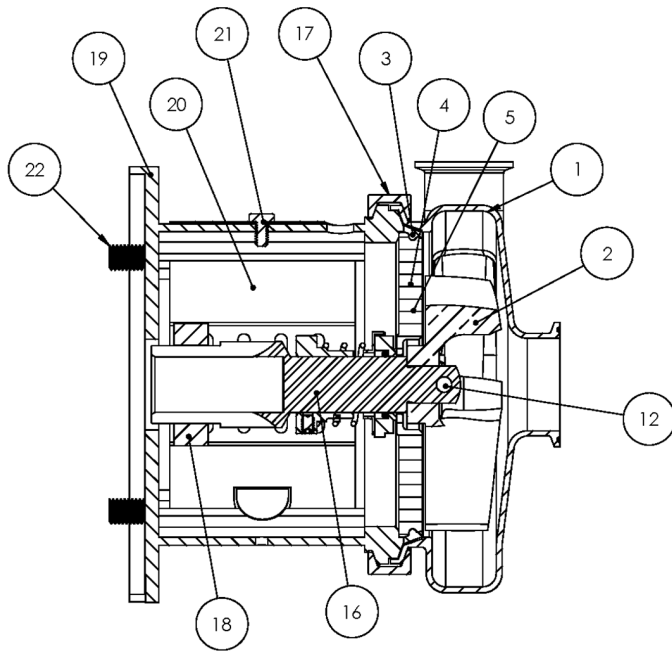


2	Impeller
15	Impeller Key
12	Impeller Nut
16	Stub Shaft
18	Shaft Collar
13	Impeller Nut Gasket
14	Impeller Gasket Back

**AC+ Conversion Kit**

*Optional Items Shown in ITALICS*

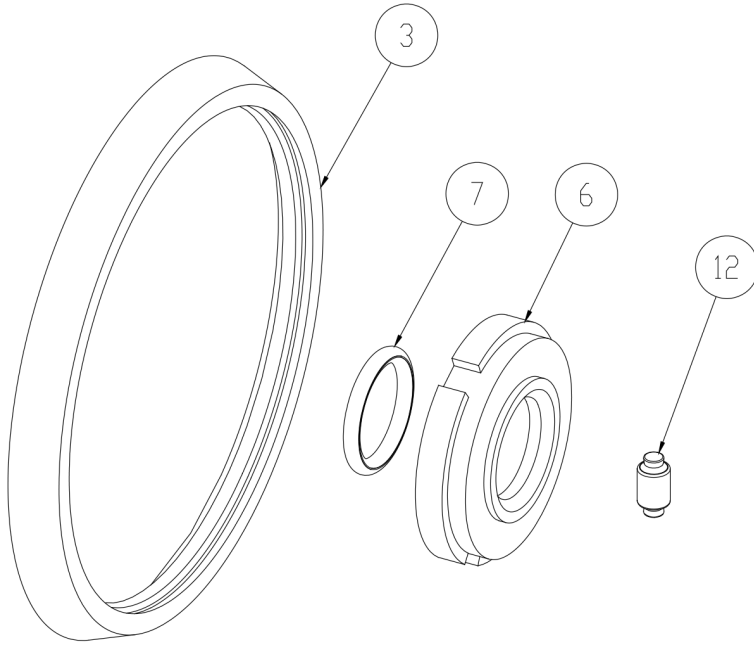
Ref #	Component Item No.	Description	Qty Per
1	<b>C+KIT-328/21</b>	<b>KIT,328,210TC,C+CONVRT,BUNA C</b>	<b>1</b>
	<i>C+KIT-328/21-E</i>	<i>KIT,328,210TC,C+CONVRT,EPDM C</i>	<i>1</i>
	<i>C+KIT-328/21-V</i>	<i>KIT,328,210TC,C+CONVRT,VIT C</i>	<i>1</i>



**Exploded View**

*Optional Items Shown in ITALICS*

Ref #	Component Item No.	Description	Qty Per
1	<b>S328M-01C</b>	<b>CASING,3X2,TRI-CLMP C328/C+328</b>	1
	<i>S328T-01C</i>	<i>CASING,3X2,BVL SEAT C328/C+328</i>	1
	<i>S328MI-01C</i>	<i>CASING,3X2,CLMP GLASS BEAD C328/C+328</i>	1
	<i>S328S-01C</i>	<i>CASING,3X2,FEMALE NPT C328/C+328</i>	1
	<i>S328F-01D</i>	<i>CASING,3X2,FLNGD C328/C+328</i>	1
2	<b>S328-02C</b>	<b>IMPELLER,328/428 C UNIVERSAL</b>	1
3	<b>S328-90A-U</b>	<b>GASKET,218/328,CASING,BUNA C C+</b>	1
	<i>S328-90A-E</i>	<i>GASKET,218/328,CASING,EPDM C C+</i>	1
	<i>S328-90A-V</i>	<i>GASKET,218/328,CASING,VIT C C+</i>	1
4	<b>328D-11-316</b>	<b>BACKPLATE,D,218/328,+218/+328 C C+</b>	1
5	<b>216D-11-1-S</b>	<b>PIN,BACKPLT,114/216/328 C C+</b>	2
6	<b>328E-80-1A</b>	<b>SEAL,218/328,3218,CARBON C C+</b>	1
7	<b>S328-80-2-U</b>	<b>O-RING,218/328,SEAL,BUNA C C+</b>	1
	<i>S328-80-2-E</i>	<i>O-RING,218/328,SEAL,EPDM,2-222 C C+</i>	1
	<i>S328-80-2-V</i>	<i>O-RING,218/328,SEAL,VIT C C+</i>	1
8	<b>328D-80-3P</b>	<b>CUP,D,218/318/328/428 C C+</b>	1
9	<b>328D-80-4</b>	<b>SPRING,D,218/328/428,+3218 C C+ DB</b>	1
10	<b>SP328D-23P-S</b>	<b>COLLAR,D,218/328/+3218,DRIVE C C+</b>	1
11	<b>SC1105A-SS</b>	<b>SCREW,SET,DRV COLLR,1/4-20X3/8 -SS</b>	2
12	<b>328D-24B-316L</b>	<b>RETAINER,IMPLR</b>	1
16	<b>CS328E25T-06</b>	<b>STUBSHAFT,250TC,UNIVRSL C218/C328</b>	1
17	<b>S328-75AR-S</b>	<b>CLAMP,218/328,CASING C C+</b>	1
18	<b>SX18000016</b>	<b>COLLAR,250TC/280TSC,SHAFT LC</b>	1
19	<b>328D25T-71C-SS</b>	<b>ADAPTER,250TC FRAME,SS C218/C328/C+218/C+328</b>	1
20	<b>C328-25T-131-S</b>	<b>GUARD,SEAL,218/328/428,SS C C+ CB+ 250TC</b>	1
21	<b>GX5079600</b>	<b>CAPSCRW,HX,1/4-20X1/2,18-8SS HX HD</b>	1
22	<b>SC1710H-SS</b>	<b>CAPSCRW,HX,1/2-13X1,18-8SS HX HD</b>	4

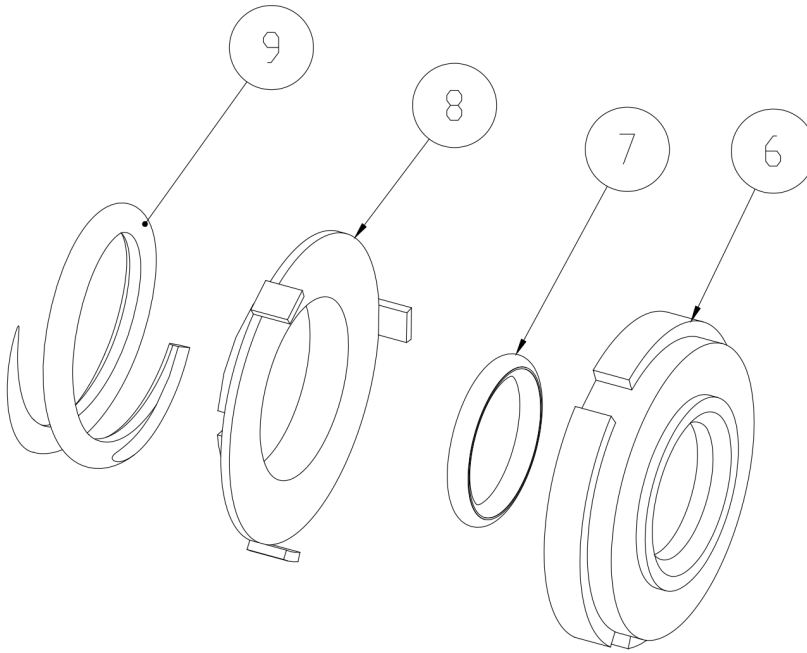


3	Casing Gasket
6	Seal Carbon
7	Seal O-Ring
12	Impeller Pin

**Seal Kit #1**

*Optional Items Shown in ITALICS*

Ref #	Component Item No.	Description	Qty Per
1	<b>KIT#1-C218-B</b>	<b>KIT,#1,218/328,SEAL,BUNA C</b>	<b>1</b>
	<i>KIT#1-C218-E</i>	<i>KIT,#1,SEAL,218/328,EPDM C</i>	<i>1</i>
	<i>KIT#1-C218-S</i>	<i>KIT,#1,SEAL,218/328,SFY,VIT C</i>	<i>1</i>

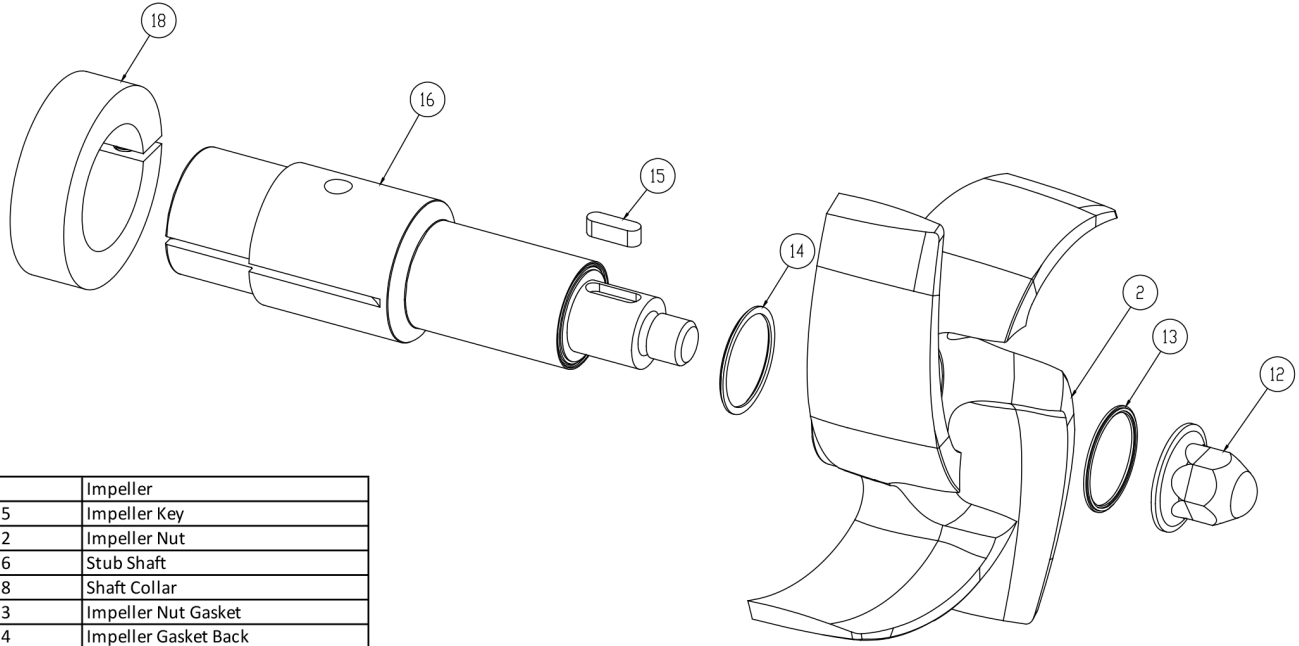


6	Seal Carbon
7	Seal O-Ring
8	Cup D Seal
9	Spring D Seal

**Seal Kit #3**

*Optional Items Shown in ITALICS*

Ref #	Component Item No.	Description	Qty Per
1	<b>KIT#3-C218-B</b>	<b>KIT,#3,218/328,SEAL,BUNA C</b>	<b>1</b>
	<i>KIT#3-C218-E</i>	<i>KIT,#3,SEAL,218/328,EPDM C</i>	<i>1</i>
	<i>KIT#3-C218-S</i>	<i>KIT,#3,SEAL,218/328,SFY,VIT C</i>	<i>1</i>

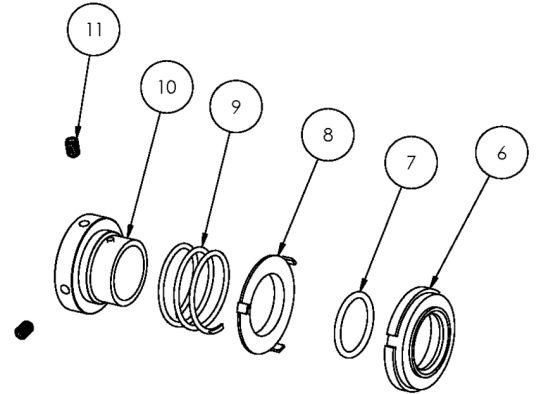
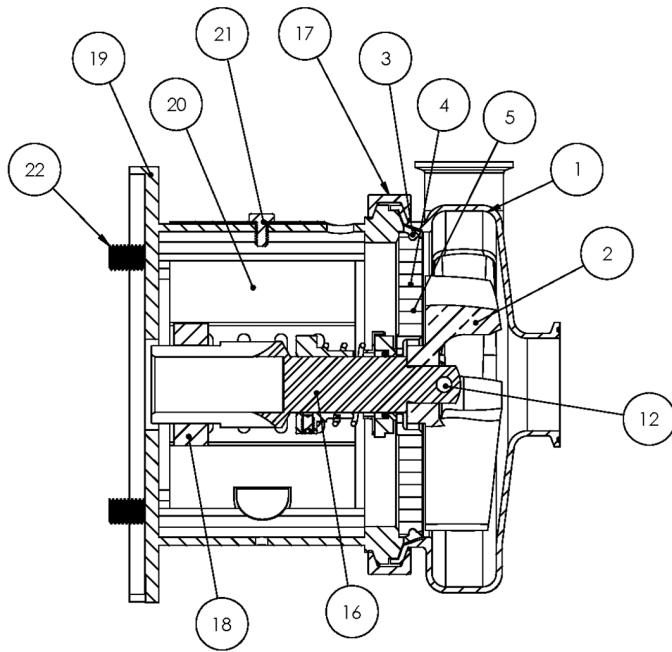


2	Impeller
15	Impeller Key
12	Impeller Nut
16	Stub Shaft
18	Shaft Collar
13	Impeller Nut Gasket
14	Impeller Gasket Back

**AC+ Conversion Kit**

*Optional Items Shown in ITALICS*

Ref #	Component Item No.	Description	Qty Per
1	<b>C+KIT-328/25</b>	<b>KIT,328,250TC,C+CONVRT,BUNA C</b>	<b>1</b>
	<i>C+KIT-328/25-E</i>	<i>KIT,328,250TC,C+CONVRT,EPDM C</i>	<i>1</i>
	<i>C+KIT-328/25-V</i>	<i>KIT,328,250TC,C+CONVRT,VIT C</i>	<i>1</i>

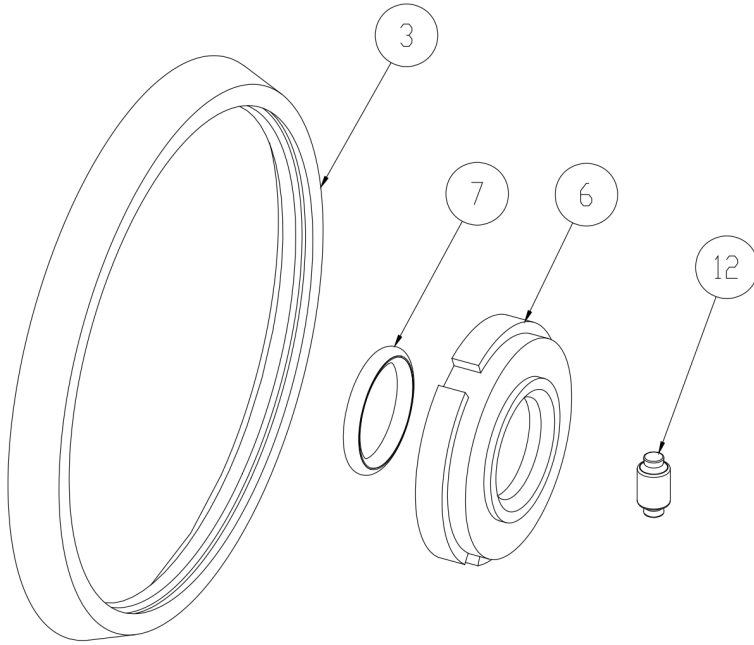


**Exploded View**

*Optional Items Shown in ITALICS*

Ref #	Component Item No.	Description	Qty Per
1	<b>S328M-01C</b>	<b>CASING,3X2,TRI-CLMP C328/C+328</b>	1
	<i>S328T-01C</i>	<i>CASING,3X2,BVL SEAT C328/C+328</i>	1
	<i>S328MI-01C</i>	<i>CASING,3X2,CLMP GLASS BEAD C328/C+328</i>	1
	<i>S328S-01C</i>	<i>CASING,3X2,FEMALE NPT C328/C+328</i>	1
	<i>S328F-01D</i>	<i>CASING,3X2,FLNGD C328/C+328</i>	1
2	<b>S328-02C</b>	<b>IMPELLER,328/428 C UNIVERSAL</b>	1
3	<b>S328-90A-U</b>	<b>GASKET,218/328,CASING,BUNA C C+</b>	1
	<i>S328-90A-E</i>	<i>GASKET,218/328,CASING,EPDM C C+</i>	1
	<i>S328-90A-V</i>	<i>GASKET,218/328,CASING,VIT C C+</i>	1
4	<b>328D-11-316</b>	<b>BACKPLATE,D,218/328,+218/+328 C C+</b>	1
5	<b>216D-11-1-S</b>	<b>PIN,BACKPLT,114/216/328 C C+</b>	2
6	<b>328E-80-1A</b>	<b>SEAL,218/328,3218,CARBON C C+</b>	1
7	<b>S328-80-2-U</b>	<b>O-RING,218/328,SEAL,BUNA C C+</b>	1
	<i>S328-80-2-E</i>	<i>O-RING,218/328,SEAL,EPDM,2-222 C C+</i>	1
	<i>S328-80-2-V</i>	<i>O-RING,218/328,SEAL,VIT C C+</i>	1
8	<b>328D-80-3P</b>	<b>CUP,D,218/318/328/428 C C+</b>	1
9	<b>328D-80-4</b>	<b>SPRING,D,218/328/428,+3218 C C+ DB</b>	1
10	<b>SP328D-23P-S</b>	<b>COLLAR,D,218/328/+3218,DRIVE C C+</b>	1
11	<b>SC1105A-SS</b>	<b>SCREW,SET,DRV COLLR,1/4-20X3/8 -SS</b>	2
12	<b>328D-24B-316L</b>	<b>RETAINER,IMPLR</b>	1
16	<b>CS328E28T-06</b>	<b>STUBSHAFT,280TC,UNIVRSL C218/C328</b>	1
17	<b>S328-75AR-S</b>	<b>CLAMP,218/328,CASING C C+</b>	1
18	<b>SX18000027</b>	<b>COLLAR,280TC/320TSC,SHAFT LC</b>	1
19	<b>328D28T-71C-SS</b>	<b>ADAPTER,280TC/TSC FRAME,SS C218/C328/C+218/C+328</b>	1
20	<b>C328-28T-131-S</b>	<b>GUARD,SEAL,218/328/428/4410,SS C C+</b>	1
21	<b>GX5079600</b>	<b>CAPSCRW,HX,1/4-20X1/2,18-8SS HX HD</b>	1
22	<b>SC1710H-SS</b>	<b>CAPSCRW,HX,1/2-13X1,18-8SS HX HD</b>	4



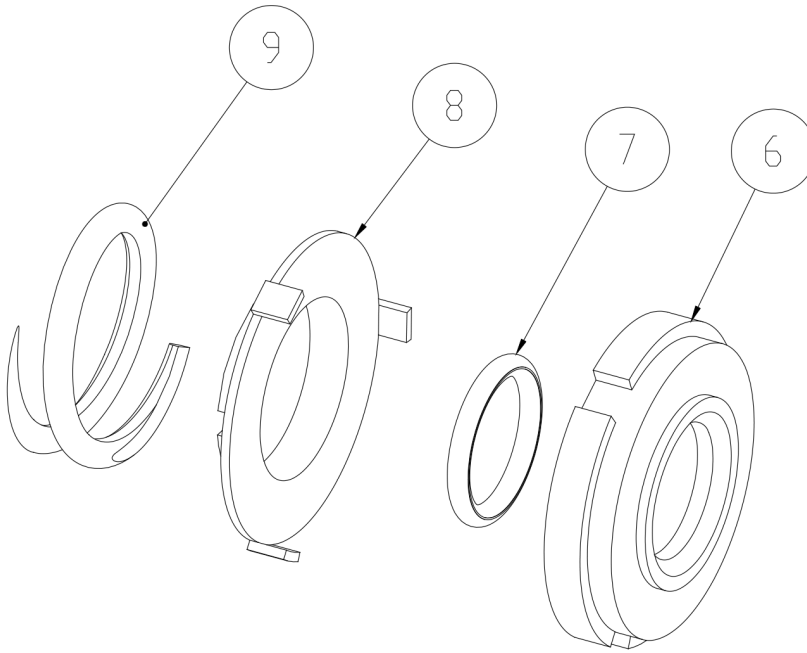


3	Casing Gasket
6	Seal Carbon
7	Seal O-Ring
12	Impeller Pin

**Seal Kit #1**

*Optional Items Shown in ITALICS*

Ref #	Component Item No.	Description	Qty Per
1	<b>KIT#1-C218-B</b>	<b>KIT,#1,218/328,SEAL,BUNA C</b>	<b>1</b>
	<i>KIT#1-C218-E</i>	<i>KIT,#1,SEAL,218/328,EPDM C</i>	<i>1</i>
	<i>KIT#1-C218-S</i>	<i>KIT,#1,SEAL,218/328,SFY,VIT C</i>	<i>1</i>

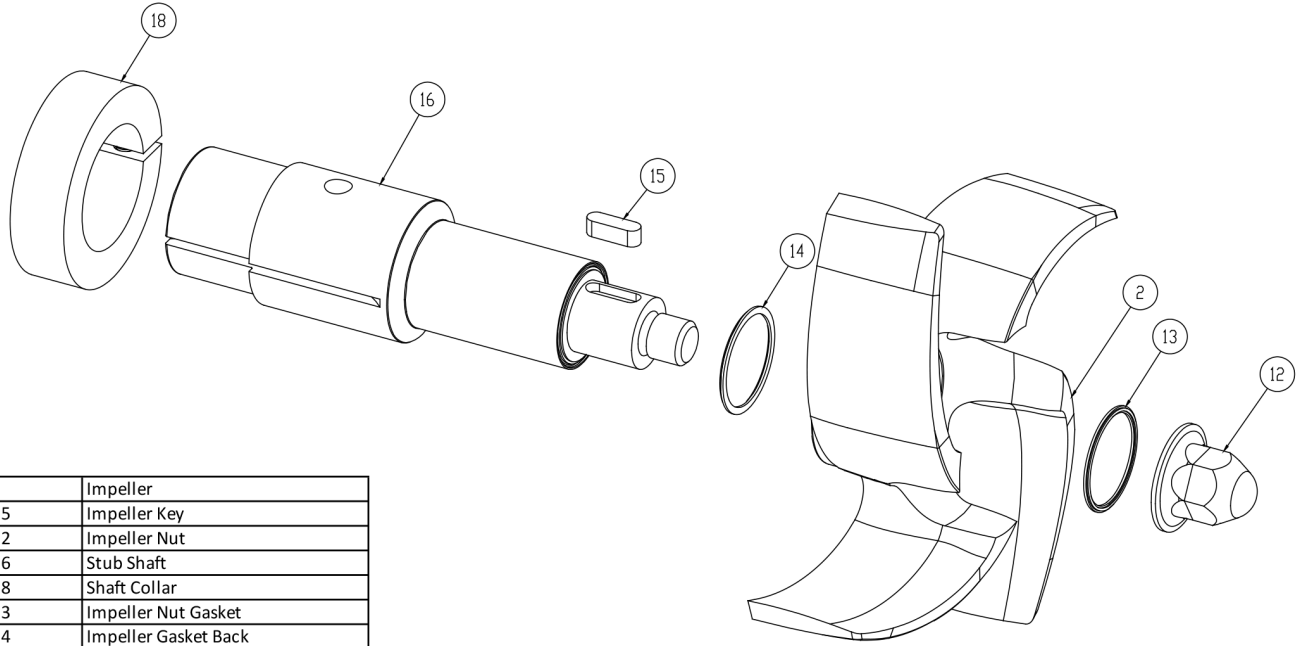


6	Seal Carbon
7	Seal O-Ring
8	Cup D Seal
9	Spring D Seal

**Seal Kit #3**

*Optional Items Shown in ITALICS*

Ref #	Component Item No.	Description	Qty Per
1	<b>KIT#3-C218-B</b>	<b>KIT,#3,218/328,SEAL,BUNA C</b>	<b>1</b>
	<i>KIT#3-C218-E</i>	<i>KIT,#3,SEAL,218/328,EPDM C</i>	<i>1</i>
	<i>KIT#3-C218-S</i>	<i>KIT,#3,SEAL,218/328,SFY,VIT C</i>	<i>1</i>

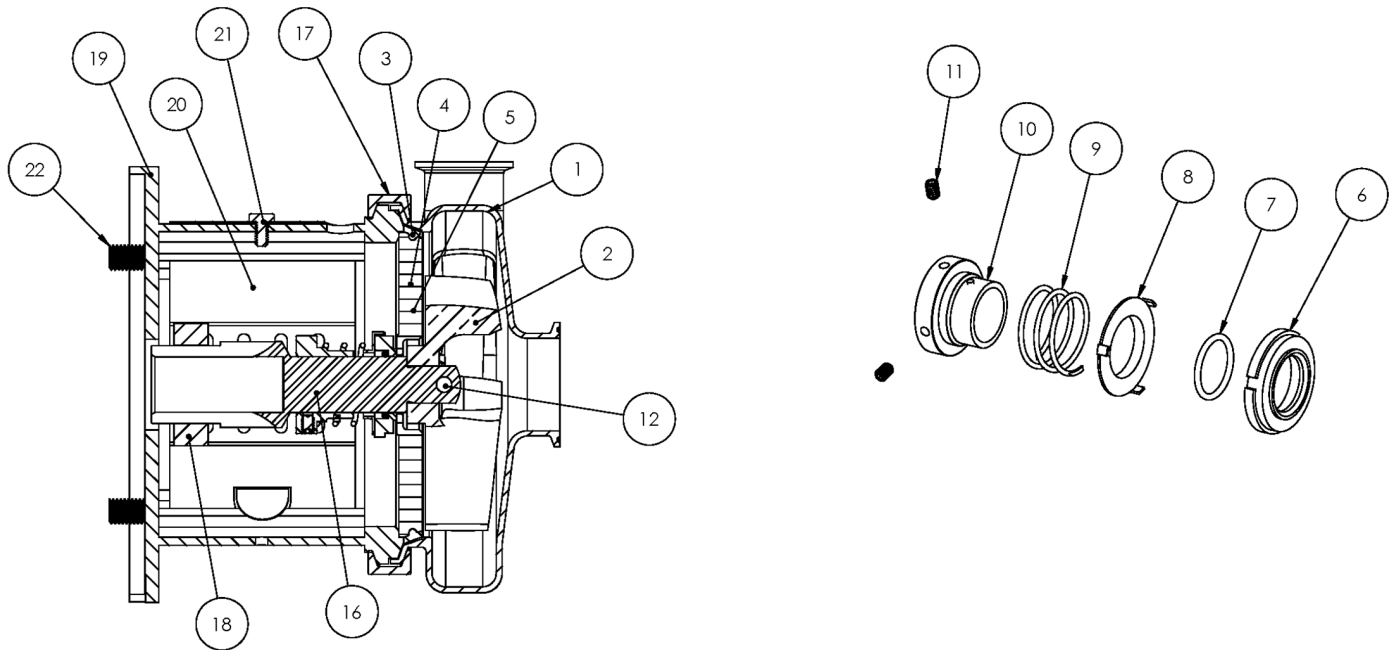


2	Impeller
15	Impeller Key
12	Impeller Nut
16	Stub Shaft
18	Shaft Collar
13	Impeller Nut Gasket
14	Impeller Gasket Back

**AC+ Conversion Kit**

*Optional Items Shown in ITALICS*

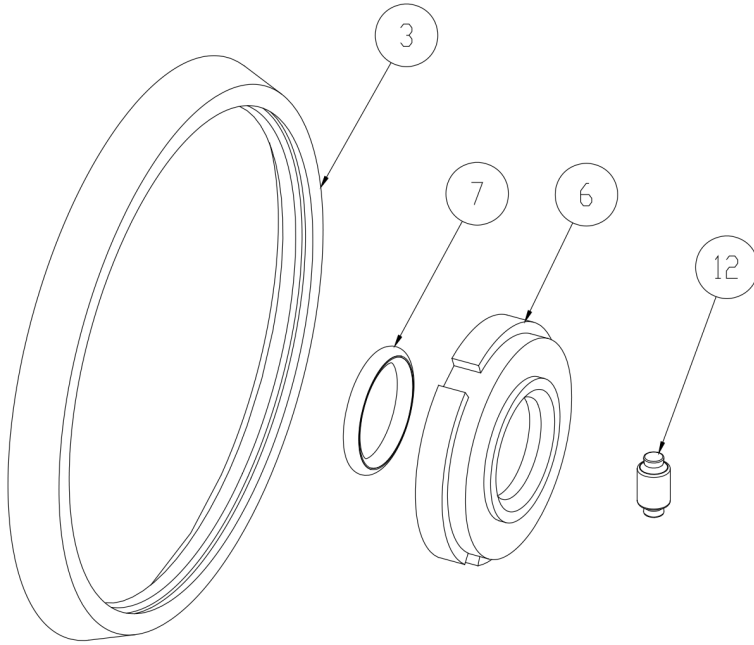
Ref #	Component Item No.	Description	Qty Per
1	<b>C+KIT-328/28</b>	<b>KIT,328,280TC,C+CONVRT,BUNA C</b>	<b>1</b>
	<i>C+KIT-328/28-E</i>	<i>KIT,328,280TC,C+CONVRT,EPDM C</i>	<i>1</i>
	<i>C+KIT-328/28-V</i>	<i>KIT,328,280TC,C+CONVRT,VIT C</i>	<i>1</i>



**Exploded View**

*Optional Items Shown in ITALICS*

Ref #	Component Item No.	Description	Qty Per
1	<b>S328M-01C</b>	<b>CASING,3X2,TRI-CLMP C328/C+328</b>	1
	<i>S328T-01C</i>	<i>CASING,3X2,BVL SEAT C328/C+328</i>	1
	<i>S328MI-01C</i>	<i>CASING,3X2,CLMP GLASS BEAD C328/C+328</i>	1
	<i>S328S-01C</i>	<i>CASING,3X2,FEMALE NPT C328/C+328</i>	1
	<i>S328F-01D</i>	<i>CASING,3X2,FLNGD C328/C+328</i>	1
2	<b>S328-02C</b>	<b>IMPELLER,328/428 C UNIVERSAL</b>	1
3	<b>S328-90A-U</b>	<b>GASKET,218/328,CASING,BUNA C C+</b>	1
	<i>S328-90A-E</i>	<i>GASKET,218/328,CASING,EPDM C C+</i>	1
	<i>S328-90A-V</i>	<i>GASKET,218/328,CASING,VIT C C+</i>	1
4	<b>328D-11-316</b>	<b>BACKPLATE,D,218/328,+218/+328 C C+</b>	1
5	<b>216D-11-1-S</b>	<b>PIN,BACKPLT,114/216/328 C C+</b>	2
6	<b>328E-80-1A</b>	<b>SEAL,218/328,3218,CARBON C C+</b>	1
7	<b>S328-80-2-U</b>	<b>O-RING,218/328,SEAL,BUNA C C+</b>	1
	<i>S328-80-2-E</i>	<i>O-RING,218/328,SEAL,EPDM,2-222 C C+</i>	1
	<i>S328-80-2-V</i>	<i>O-RING,218/328,SEAL,VIT C C+</i>	1
8	<b>328D-80-3P</b>	<b>CUP,D,218/318/328/428 C C+</b>	1
9	<b>328D-80-4</b>	<b>SPRING,D,218/328/428,+3218 C C+ DB</b>	1
10	<b>SP328D-23P-S</b>	<b>COLLAR,D,218/328/+3218,DRIVE C C+</b>	1
11	<b>SC1105A-SS</b>	<b>SCREW,SET,DRV COLLR,1/4-20X3/8 -SS</b>	2
12	<b>328D-24B-316L</b>	<b>RETAINER,IMPLR</b>	1
16	<b>CS328E28TS-06</b>	<b>STUBSHAFT,280TSC,UNIVRSL C218/C328</b>	1
17	<b>S328-75AR-S</b>	<b>CLAMP,218/328,CASING C C+</b>	1
18	<b>SX18000035</b>	<b>COLLAR,250TC/280TSC,SHAFT LC</b>	1
19	<b>328D28T-71C-SS</b>	<b>ADAPTER,280TC/TSC FRAME,SS C218/C328/C+218/C+328</b>	1
20	<b>C328-28T-131-S</b>	<b>GUARD,SEAL,218/328/428/4410,SS C C+</b>	1
21	<b>GX5079600</b>	<b>CAPSCRW,HX,1/4-20X1/2,18-8SS HX HD</b>	1
22	<b>SC1710H-SS</b>	<b>CAPSCRW,HX,1/2-13X1,18-8SS HX HD</b>	4

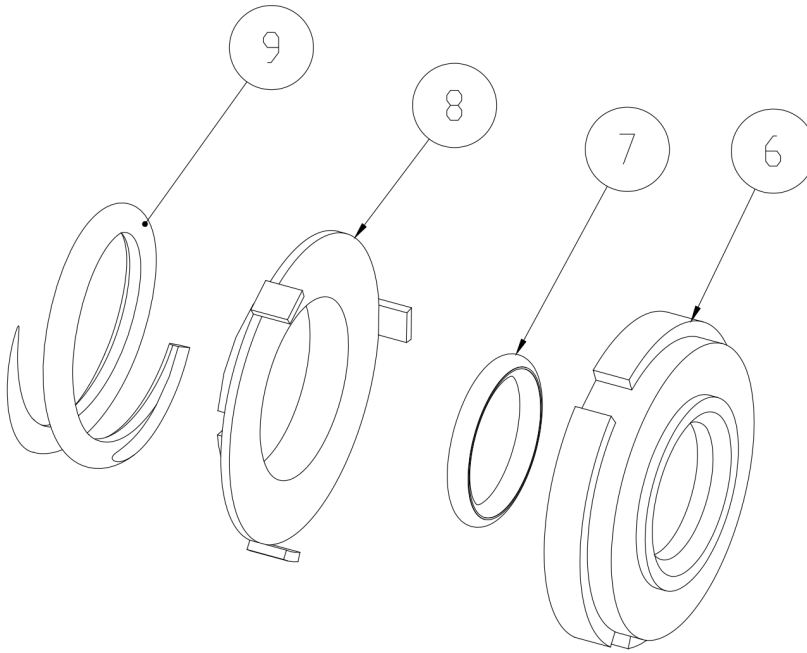


3	Casing Gasket
6	Seal Carbon
7	Seal O-Ring
12	Impeller Pin

**Seal Kit #1**

*Optional Items Shown in ITALICS*

Ref #	Component Item No.	Description	Qty Per
1	<b>KIT#1-C218-B</b>	<b>KIT,#1,218/328,SEAL,BUNA C</b>	<b>1</b>
	<i>KIT#1-C218-E</i>	<i>KIT,#1,SEAL,218/328,EPDM C</i>	<i>1</i>
	<i>KIT#1-C218-S</i>	<i>KIT,#1,SEAL,218/328,SFY,VIT C</i>	<i>1</i>

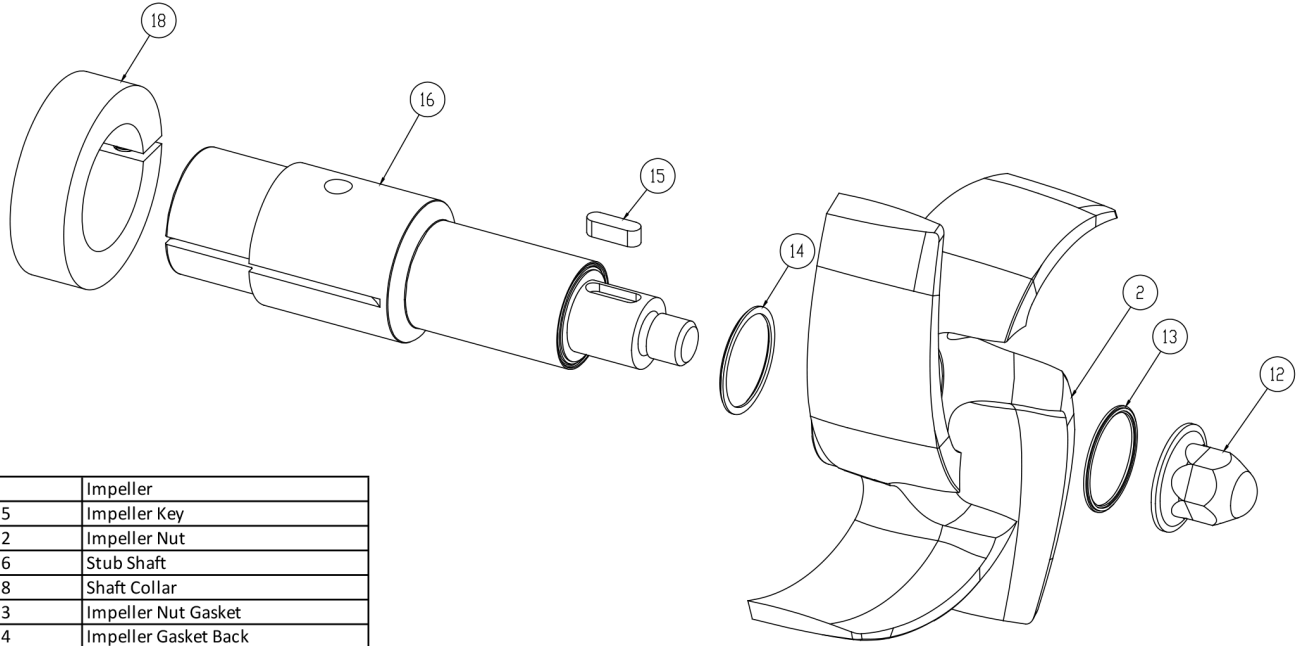


6	Seal Carbon
7	Seal O-Ring
8	Cup D Seal
9	Spring D Seal

**Seal Kit #3**

*Optional Items Shown in ITALICS*

Ref #	Component Item No.	Description	Qty Per
1	<b>KIT#3-C218-B</b>	<b>KIT,#3,218/328,SEAL,BUNA C</b>	<b>1</b>
	<i>KIT#3-C218-E</i>	<i>KIT,#3,SEAL,218/328,EPDM C</i>	<i>1</i>
	<i>KIT#3-C218-S</i>	<i>KIT,#3,SEAL,218/328,SFY,VIT C</i>	<i>1</i>

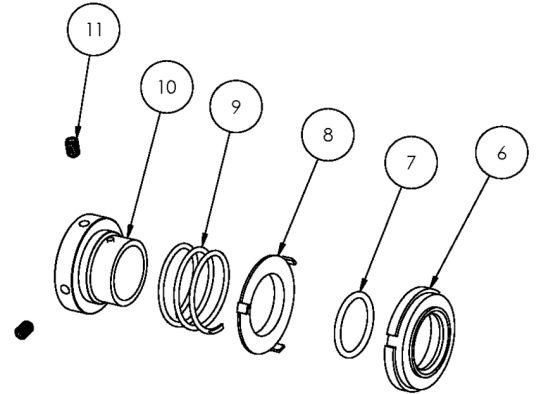
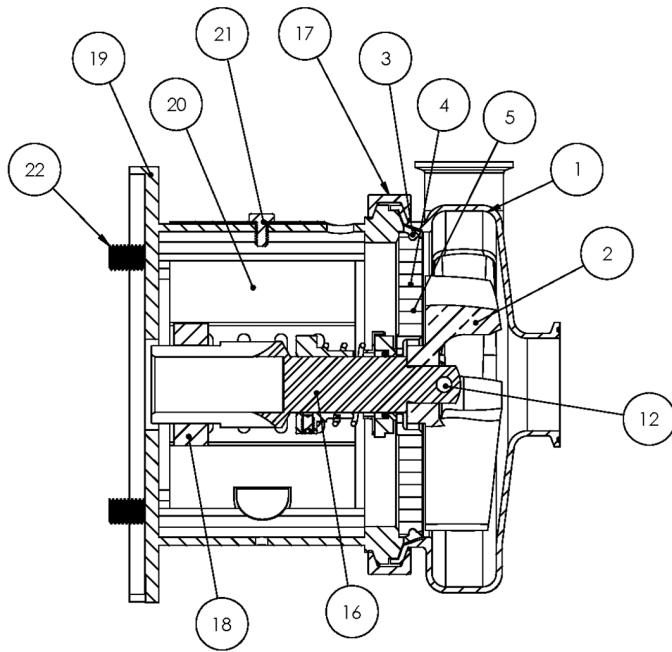


2	Impeller
15	Impeller Key
12	Impeller Nut
16	Stub Shaft
18	Shaft Collar
13	Impeller Nut Gasket
14	Impeller Gasket Back

**AC+ Conversion Kit**

*Optional Items Shown in ITALICS*

Ref #	Component Item No.	Description	Qty Per
1	<b>C+KIT-328/28TS</b>	<b>KIT,328,280TSC,C+CONVRT,BUNA C</b>	<b>1</b>
	<i>C+KIT-328/28TSE</i>	<i>KIT,328,280TSC,C+CONVRT,EPDM C</i>	<i>1</i>
	<i>C+KIT-328/28TSV</i>	<i>KIT,328,280TSC,C+CONVRT,VIT C</i>	<i>1</i>

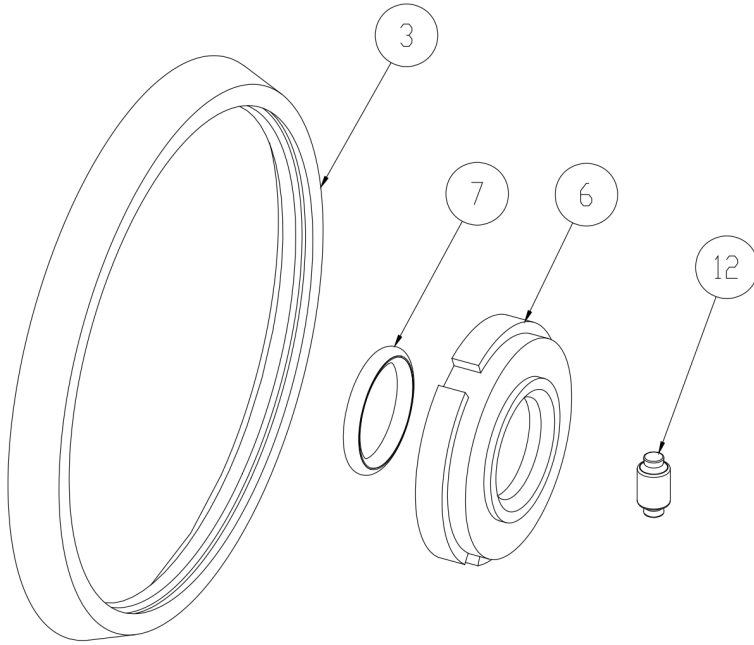


**Exploded View**

*Optional Items Shown in ITALICS*

Ref #	Component Item No.	Description	Qty Per
1	<b>S328M-01C</b>	<b>CASING,3X2,TRI-CLMP C328/C+328</b>	1
	<i>S328T-01C</i>	<i>CASING,3X2,BVL SEAT C328/C+328</i>	1
	<i>S328MI-01C</i>	<i>CASING,3X2,CLMP GLASS BEAD C328/C+328</i>	1
	<i>S328S-01C</i>	<i>CASING,3X2,FEMALE NPT C328/C+328</i>	1
	<i>S328F-01D</i>	<i>CASING,3X2,FLNGD C328/C+328</i>	1
2	<b>S328-02C</b>	<b>IMPELLER,328/428 C UNIVERSAL</b>	1
3	<b>S328-90A-U</b>	<b>GASKET,218/328,CASING,BUNA C C+</b>	1
	<i>S328-90A-E</i>	<i>GASKET,218/328,CASING,EPDM C C+</i>	1
	<i>S328-90A-V</i>	<i>GASKET,218/328,CASING,VIT C C+</i>	1
4	<b>328D-11-316</b>	<b>BACKPLATE,D,218/328,+218/+328 C C+</b>	1
5	<b>216D-11-1-S</b>	<b>PIN,BACKPLT,114/216/328 C C+</b>	2
6	<b>328E-80-1A</b>	<b>SEAL,218/328,3218,CARBON C C+</b>	1
7	<b>S328-80-2-U</b>	<b>O-RING,218/328,SEAL,BUNA C C+</b>	1
	<i>S328-80-2-E</i>	<i>O-RING,218/328,SEAL,EPDM,2-222 C C+</i>	1
	<i>S328-80-2-V</i>	<i>O-RING,218/328,SEAL,VIT C C+</i>	1
8	<b>328D-80-3P</b>	<b>CUP,D,218/318/328/428 C C+</b>	1
9	<b>328D-80-4</b>	<b>SPRING,D,218/328/428,+3218 C C+ DB</b>	1
10	<b>SP328D-23P-S</b>	<b>COLLAR,D,218/328/+3218,DRIVE C C+</b>	1
11	<b>SC1105A-SS</b>	<b>SCREW,SET,DRV COLLR,1/4-20X3/8 -SS</b>	2
12	<b>328D-24B-316L</b>	<b>RETAINER,IMPLR</b>	1
16	<b>CS328E32T-06</b>	<b>STUBSHAFT,320TC,UNIVRSL C218/C328</b>	1
17	<b>S328-75AR-S</b>	<b>CLAMP,218/328,CASING C C+</b>	1
18	<b>SX18000028</b>	<b>COLLAR,320TC,SHAFT LCX</b>	1
19	<b>328D32T-71C-SS</b>	<b>ADAPTER,320TC FRAME,SS C218/C328/C+218/C+328</b>	1
20	<b>C328-28T-131-S</b>	<b>GUARD,SEAL,218/328/428/4410,SS C C+</b>	1
21	<b>GX5079600</b>	<b>CAPSCRW,HX,1/4-20X1/2,18-8SS HX HD</b>	1
22	<b>GX5076700</b>	<b>CAPSCRW,HX,5/8-11X1-1/2,18-8SS HX HD</b>	4



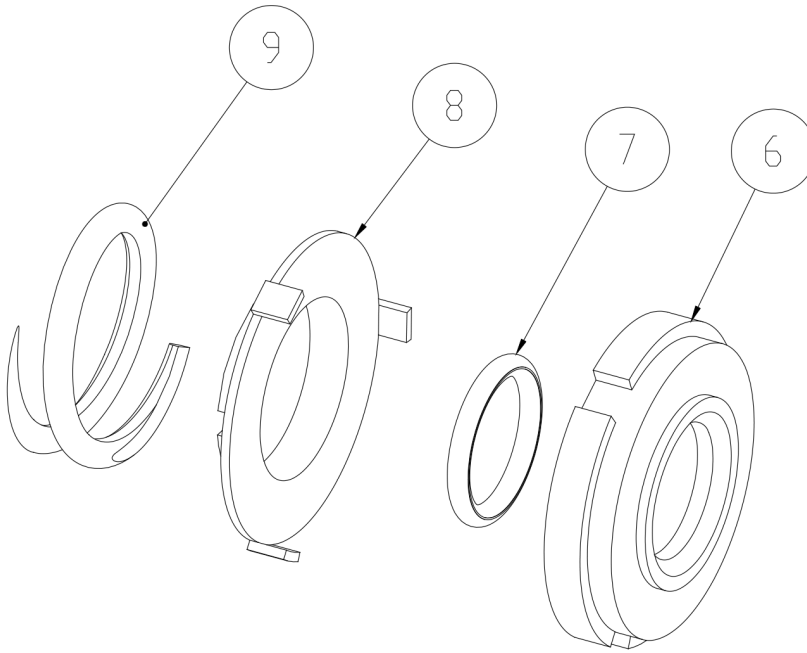


3	Casing Gasket
6	Seal Carbon
7	Seal O-Ring
12	Impeller Pin

**Seal Kit #1**

*Optional Items Shown in ITALICS*

Ref #	Component Item No.	Description	Qty Per
1	<b>KIT#1-C218-B</b>	<b>KIT,#1,218/328,SEAL,BUNA C</b>	<b>1</b>
	<i>KIT#1-C218-E</i>	<i>KIT,#1,SEAL,218/328,EPDM C</i>	<i>1</i>
	<i>KIT#1-C218-S</i>	<i>KIT,#1,SEAL,218/328,SFY,VIT C</i>	<i>1</i>

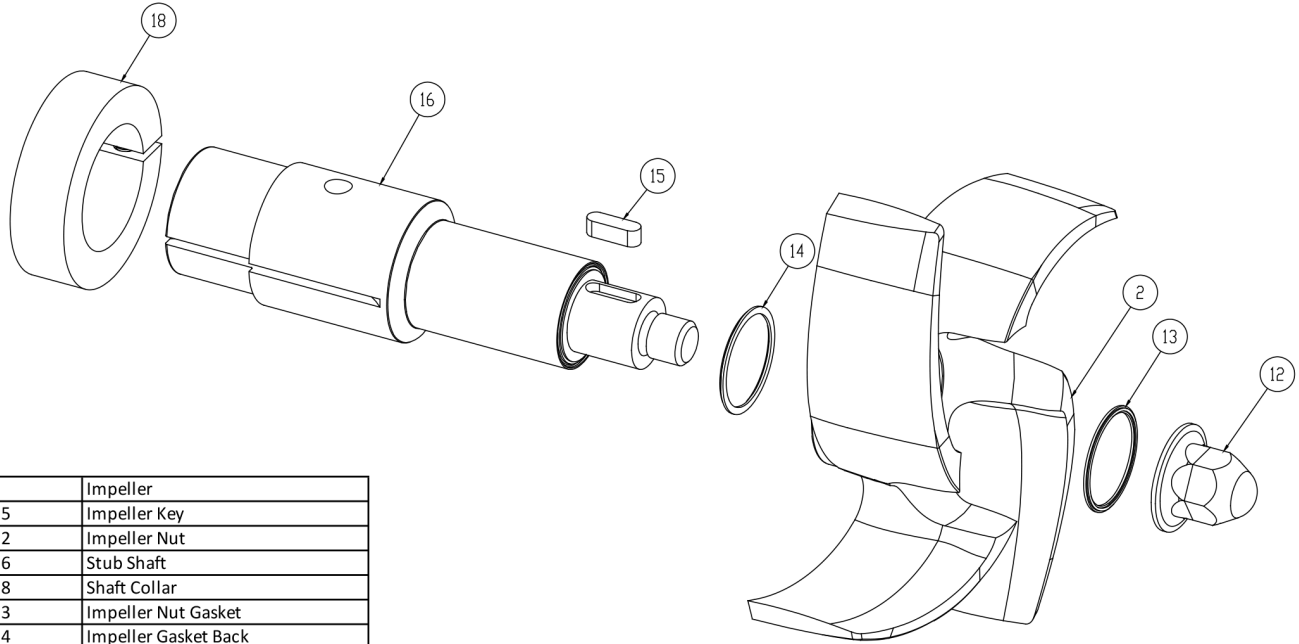


6	Seal Carbon
7	Seal O-Ring
8	Cup D Seal
9	Spring D Seal

**Seal Kit #3**

*Optional Items Shown in ITALICS*

Ref #	Component Item No.	Description	Qty Per
1	<b>KIT#3-C218-B</b>	<b>KIT,#3,218/328,SEAL,BUNA C</b>	<b>1</b>
	<i>KIT#3-C218-E</i>	<i>KIT,#3,SEAL,218/328,EPDM C</i>	<i>1</i>
	<i>KIT#3-C218-S</i>	<i>KIT,#3,SEAL,218/328,SFY,VIT C</i>	<i>1</i>

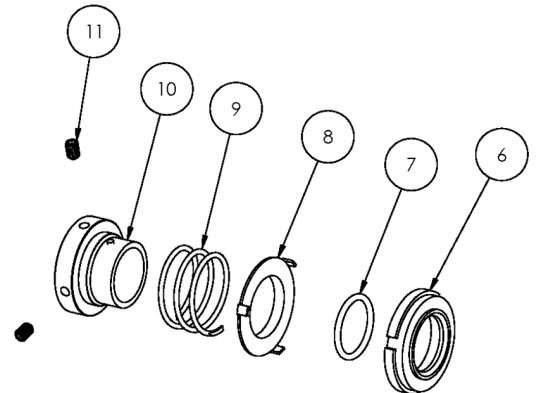
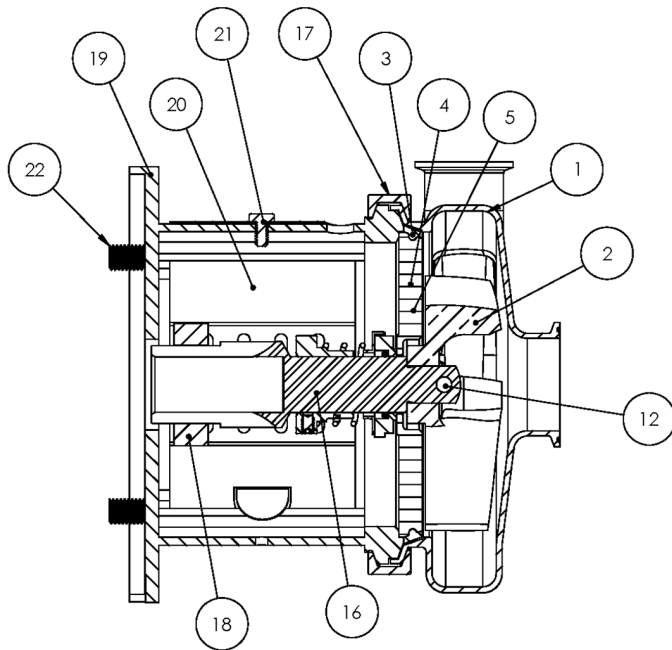


2	Impeller
15	Impeller Key
12	Impeller Nut
16	Stub Shaft
18	Shaft Collar
13	Impeller Nut Gasket
14	Impeller Gasket Back

**AC+ Conversion Kit**

*Optional Items Shown in ITALICS*

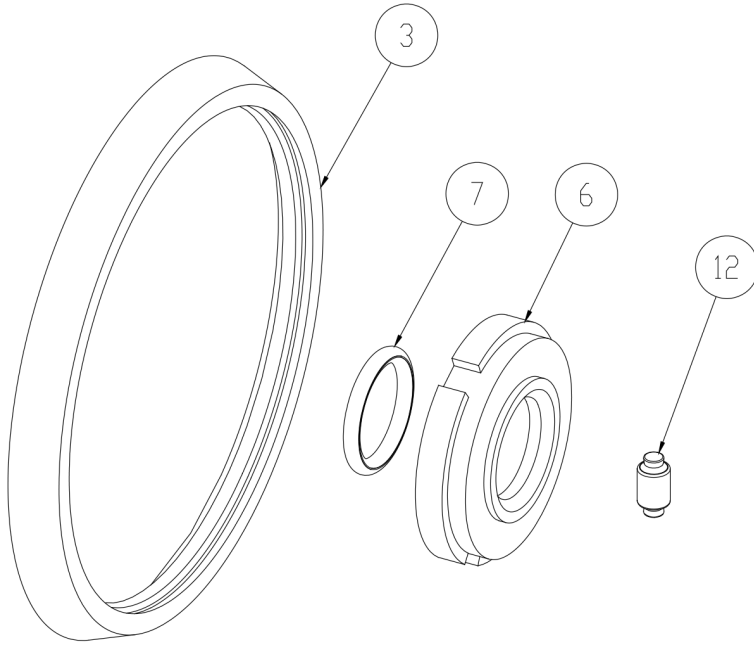
Ref #	Component Item No.	Description	Qty Per
1	<b>C+KIT-328/32</b>	<b>KIT,328,320TC,C+CONVRT,BUNA C</b>	<b>1</b>
	<i>C+KIT-328/32-E</i>	<i>KIT,328,320TC,C+CONVRT,EPDM C</i>	<i>1</i>
	<i>C+KIT-328/32-V</i>	<i>KIT,328,320TC,C+CONVRT,VIT C</i>	<i>1</i>



**Exploded View**

*Optional Items Shown in ITALICS*

Ref #	Component Item No.	Description	Qty Per
1	<b>S328M-01C</b>	<b>CASING,3X2,TRI-CLMP C328/C+328</b>	1
	<i>S328T-01C</i>	<i>CASING,3X2,BVL SEAT C328/C+328</i>	1
	<i>S328MI-01C</i>	<i>CASING,3X2,CLMP GLASS BEAD C328/C+328</i>	1
	<i>S328S-01C</i>	<i>CASING,3X2,FEMALE NPT C328/C+328</i>	1
	<i>S328F-01D</i>	<i>CASING,3X2,FLNGD C328/C+328</i>	1
2	<b>S328-02C</b>	<b>IMPELLER,328/428 C UNIVERSAL</b>	1
3	<b>S328-90A-U</b>	<b>GASKET,218/328,CASING,BUNA C C+</b>	1
	<i>S328-90A-E</i>	<i>GASKET,218/328,CASING,EPDM C C+</i>	1
	<i>S328-90A-V</i>	<i>GASKET,218/328,CASING,VIT C C+</i>	1
4	<b>328D-11-316</b>	<b>BACKPLATE,D,218/328,+218/+328 C C+</b>	1
5	<b>216D-11-1-S</b>	<b>PIN,BACKPLT,114/216/328 C C+</b>	2
6	<b>328E-80-1A</b>	<b>SEAL,218/328,3218,CARBON C C+</b>	1
7	<b>S328-80-2-U</b>	<b>O-RING,218/328,SEAL,BUNA C C+</b>	1
	<i>S328-80-2-E</i>	<i>O-RING,218/328,SEAL,EPDM,2-222 C C+</i>	1
	<i>S328-80-2-V</i>	<i>O-RING,218/328,SEAL,VIT C C+</i>	1
8	<b>328D-80-3P</b>	<b>CUP,D,218/318/328/428 C C+</b>	1
9	<b>328D-80-4</b>	<b>SPRING,D,218/328/428,+3218 C C+ DB</b>	1
10	<b>SP328D-23P-S</b>	<b>COLLAR,D,218/328/+3218,DRIVE C C+</b>	1
11	<b>SC1105A-SS</b>	<b>SCREW,SET,DRV COLLR,1/4-20X3/8 -SS</b>	2
12	<b>328D-24B-316L</b>	<b>RETAINER,IMPLR</b>	1
16	<b>CS328E32TS-06</b>	<b>STUBSHAFT,320TSC,UNIVRSL C218/C328</b>	1
17	<b>S328-75AR-S</b>	<b>CLAMP,218/328,CASING C C+</b>	1
18	<b>SX18000027</b>	<b>COLLAR,280TC/320TSC,SHAFT LC</b>	1
19	<b>328D32TS-71C-SS</b>	<b>ADAPTER,320TSC FRAME,SS C218/C328/C+218/C+328</b>	1
20	<b>C328-28T-131-S</b>	<b>GUARD,SEAL,218/328/428/4410,SS C C+</b>	1
21	<b>GX5079600</b>	<b>CAPSCRW,HX,1/4-20X1/2,18-8SS HX HD</b>	1
22	<b>GX5076700</b>	<b>CAPSCRW,HX,5/8-11X1-1/2,18-8SS HX HD</b>	4

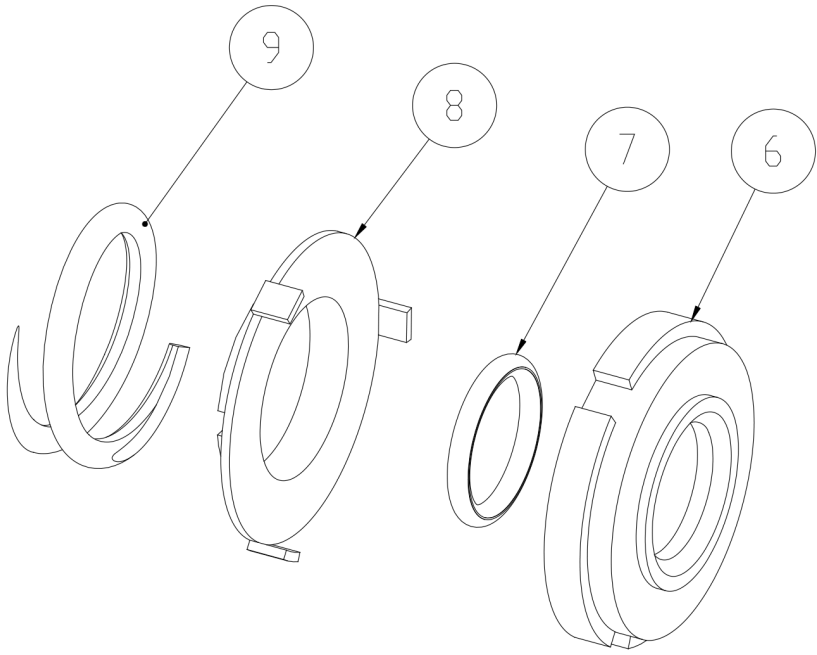


3	Casing Gasket
6	Seal Carbon
7	Seal O-Ring
12	Impeller Pin

**Seal Kit #1**

*Optional Items Shown in ITALICS*

Ref #	Component Item No.	Description	Qty Per
1	<b>KIT#1-C218-B</b>	<b>KIT,#1,218/328,SEAL,BUNA C</b>	<b>1</b>
	<i>KIT#1-C218-E</i>	<i>KIT,#1,SEAL,218/328,EPDM C</i>	<i>1</i>
	<i>KIT#1-C218-S</i>	<i>KIT,#1,SEAL,218/328,SFY,VIT C</i>	<i>1</i>

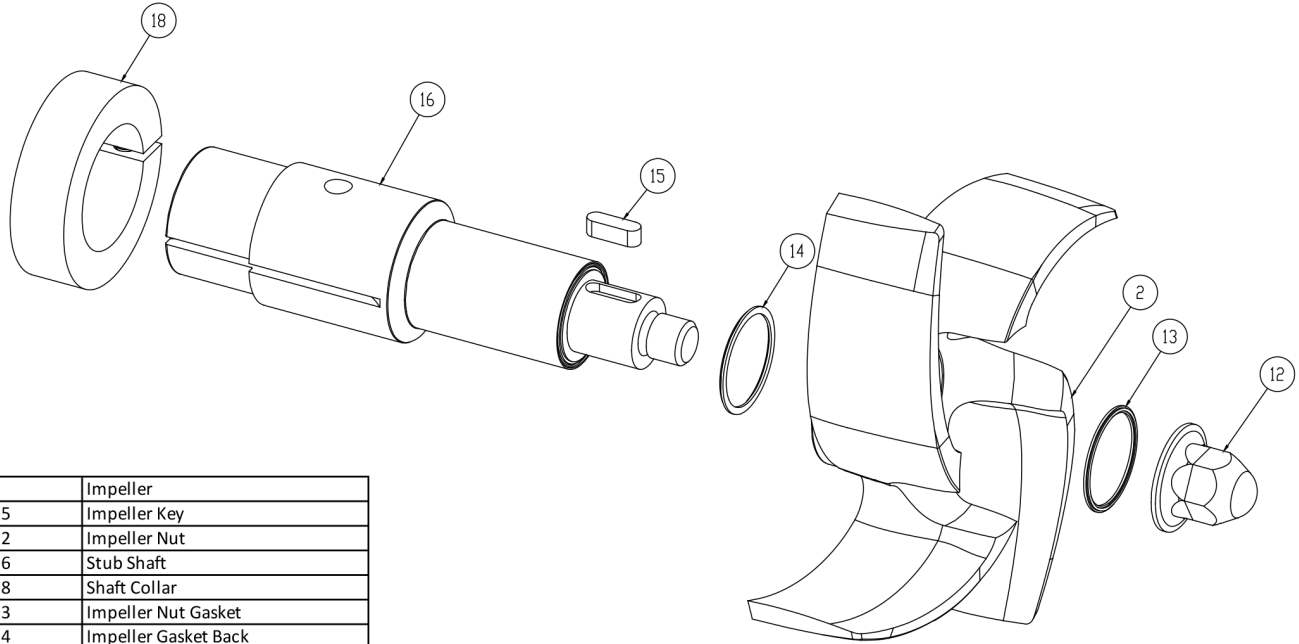


6	Seal Carbon
7	Seal O-Ring
8	Cup D Seal
9	Spring D Seal

**Seal Kit #3**

*Optional Items Shown in ITALICS*

Ref #	Component Item No.	Description	Qty Per
1	<b>KIT#3-C218-B</b>	<b>KIT,#3,218/328,SEAL,BUNA C</b>	<b>1</b>
	<i>KIT#3-C218-E</i>	<i>KIT,#3,SEAL,218/328,EPDM C</i>	<i>1</i>
	<i>KIT#3-C218-S</i>	<i>KIT,#3,SEAL,218/328,SFY,VIT C</i>	<i>1</i>

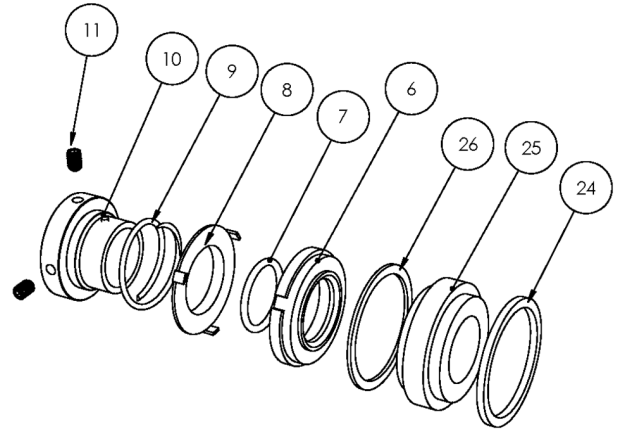
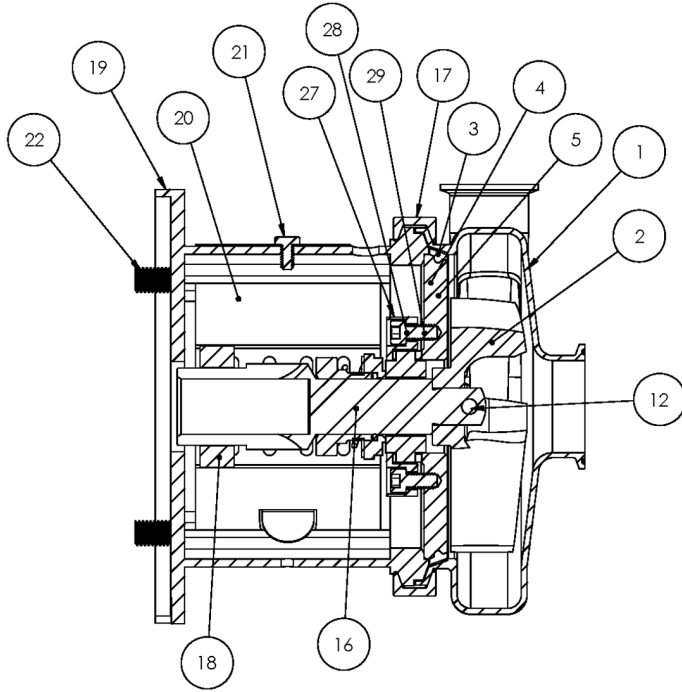


2	Impeller
15	Impeller Key
12	Impeller Nut
16	Stub Shaft
18	Shaft Collar
13	Impeller Nut Gasket
14	Impeller Gasket Back

**AC+ Conversion Kit**

*Optional Items Shown in ITALICS*

Ref #	Component Item No.	Description	Qty Per
1	<b>C+KIT-328/32TS</b>	<b>KIT,328,320TSC,C+CONVRT,BUNA C</b>	<b>1</b>
	<i>C+KIT-328/32TSE</i>	<i>KIT,328,320TSC,C+CONVRT,EPDM C</i>	<i>1</i>
	<i>C+KIT-328/32TSV</i>	<i>KIT,328,320TSC,C+CONVRT,VIT C</i>	<i>1</i>

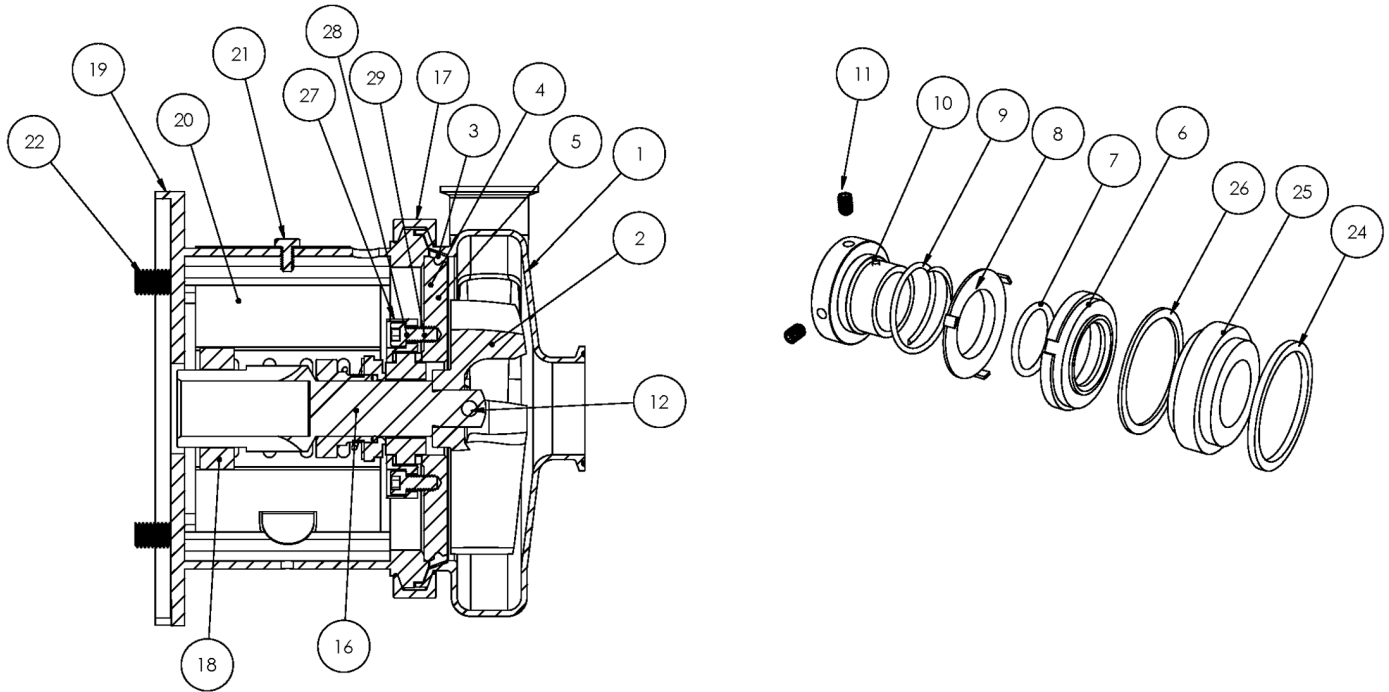


**Exploded View**

*Optional Items Shown in ITALICS*

Ref #	Component Item No.	Description	Qty Per
1	<b>S328M-01C</b>	<b>CASING,3X2,TRI-CLMP C328/C+328</b>	1
	<i>S328T-01C</i>	<i>CASING,3X2,BVL SEAT C328/C+328</i>	1
	<i>S328MI-01C</i>	<i>CASING,3X2,CLMP GLASS BEAD C328/C+328</i>	1
	<i>S328S-01C</i>	<i>CASING,3X2,FEMALE NPT C328/C+328</i>	1
	<i>S328F-01D</i>	<i>CASING,3X2,FLNGD C328/C+328</i>	1
2	<b>S328-02C</b>	<b>IMPELLER,328/428 C UNIVERSAL</b>	1
3	<b>S328-90A-U</b>	<b>GASKET,218/328,CASING,BUNA C C+</b>	1
	<i>S328-90A-E</i>	<i>GASKET,218/328,CASING,EPDM C C+</i>	1
	<i>S328-90A-V</i>	<i>GASKET,218/328,CASING,VIT C C+</i>	1
4	<b>SP328G-11-316L</b>	<b>BACKPLATE,DG,218/328 C C+</b>	1
5	<b>216D-11-1-S</b>	<b>PIN,BACKPLT,114/216/328 C C+</b>	2
6	<b>328E-80-1A</b>	<b>SEAL,218/328,3218,CARBON C C+</b>	1
	<i>328E-80-1SC</i>	<i>SEAL,328,RTRY,SILC CARB C C+</i>	1
7	<b>S328-80-2-U</b>	<b>O-RING,218/328,SEAL,BUNA C C+</b>	1
	<i>S328-80-2-E</i>	<i>O-RING,218/328,SEAL,EPDM,2-222 C C+</i>	1
	<i>S328-80-2-V</i>	<i>O-RING,218/328,SEAL,VIT C C+</i>	1
8	<b>328D-80-3P</b>	<b>CUP,D,218/318/328/428 C C+</b>	1
9	<b>328D-80-4</b>	<b>SPRING,D,218/328/428,+3218 C C+ DB</b>	1
10	<b>SP328D-23P-S</b>	<b>COLLAR,D,218/328/+3218,DRIVE C C+</b>	1
11	<b>SC1105A-SS</b>	<b>SCREW,SET,DRV COLLR,1/4-20X3/8 -SS</b>	2
12	<b>328D-24B-316L</b>	<b>RETAINER,IMPLR</b>	1
17	<b>S328-75AR-S</b>	<b>CLAMP,218/328,CASING C C+</b>	1
18	<b>SX18000014</b>	<b>COLLAR,180TC,SHAFT LC</b>	1
19	<b>328D18T-71C-SS</b>	<b>ADAPTER,180TC FRAME,SS C218/C328/C+218/C+328</b>	1
20	<b>C328-18T-131-S</b>	<b>GUARD,SEAL,21/318/328/428,SS C C+ IC+ 180TC</b>	1
21	<b>GX5079600</b>	<b>CAPSCRW,HX,1/4-20X1/2,18-8SS HX HD</b>	1
22	<b>SC1710H-SS</b>	<b>CAPSCRW,HX,1/2-13X1,18-8SS HX HD</b>	4

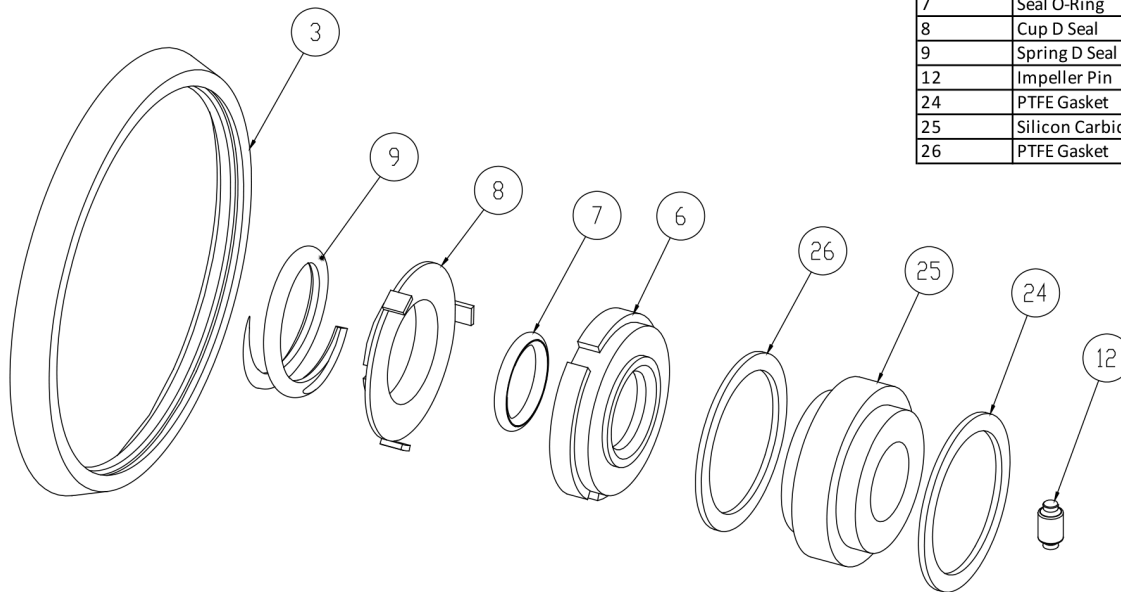




**Exploded View**

*Optional Items Shown in ITALICS*

Ref #	Component Item No.	Description	Qty Per
24	SP328G-80-12AG	GASKET,218/328,DG,THK,PTFE C C+	1
25	SP328G-80-11SC	SEAT,218/328,DG,SEAL,SILC CARB C C+	1
	<i>SP328G-80-11TC</i>	<i>SEAT,328,DG,SEAL,TUNG CARB C C+</i>	1
	<i>SP328G-80-11CER</i>	<i>SEAT,328,DG,SEAL,CERAMIC C C+</i>	1
26	SP328G-80-12G	GASKET,218/328,DG,THN,PTFE C C+	1
27	SP328G-17-316L	RING,218/328,GLAND,DG C C+	1
28	SC1310H-SS	CAPSCRW,HX,5/16-18X1-1/8,18-8S HX HD	4
29	LWA-1300-SS	WASHER,LOCK,5/16,18-8SS	4

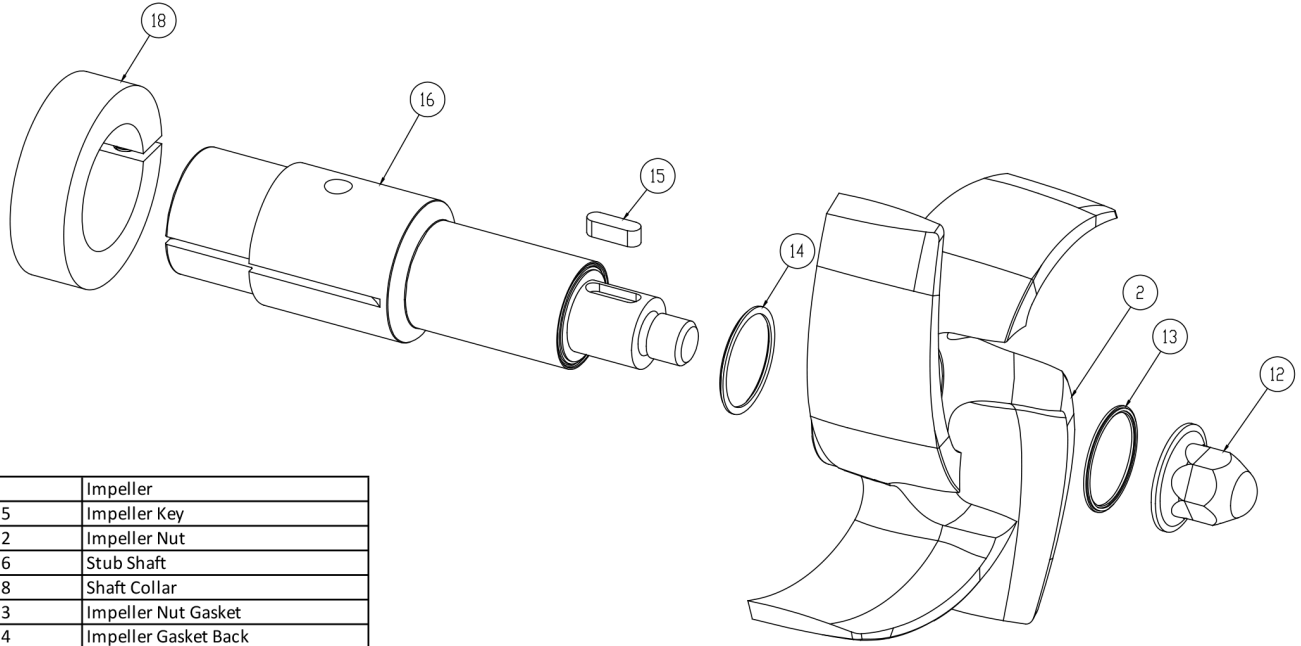


3	Casing Gasket
6	Seal Carbon
7	Seal O-Ring
8	Cup D Seal
9	Spring D Seal
12	Impeller Pin
24	PTFE Gasket
25	Silicon Carbide Seat
26	PTFE Gasket

**Seal Kit DG**

*Optional Items Shown in ITALICS*

Ref #	Component Item No.	Description	Qty Per
1	<b>KITDG-C218-B</b>	<b>KIT,218/328,DG,SEAL,BUNA C</b>	<b>1</b>
	<i>KITDG-C218-E</i>	<i>KIT,218/328,DG SEAL,EPDM C</i>	<i>1</i>
	<i>KITDG-C218-S</i>	<i>KIT,218/328,DG,SEAL,VIT C</i>	<i>1</i>

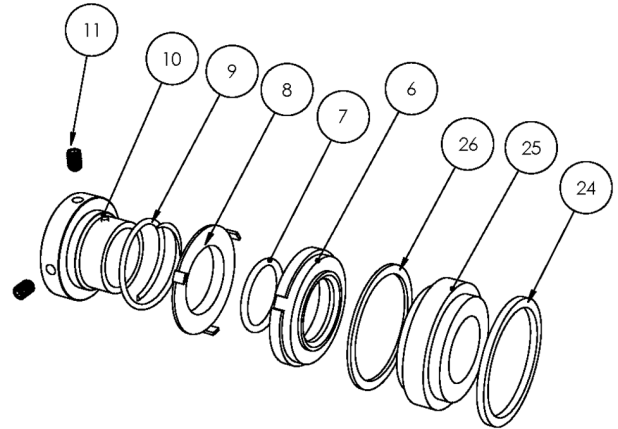
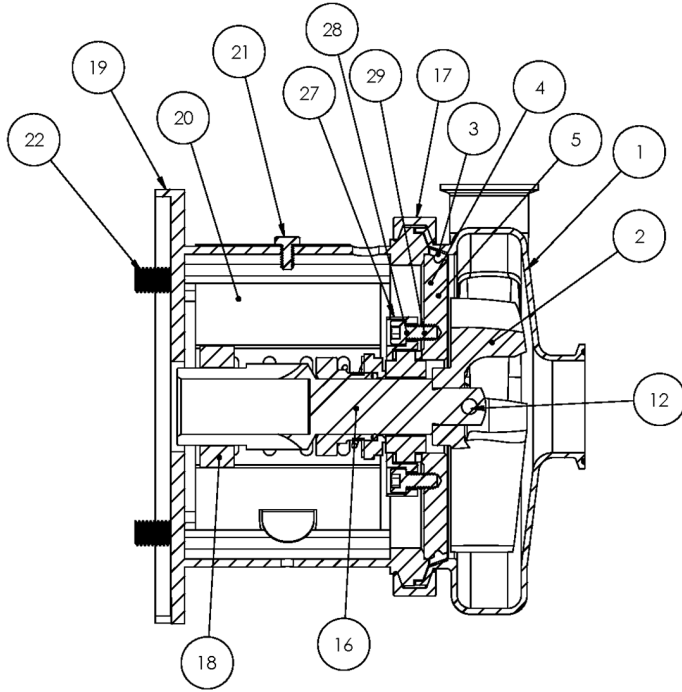


2	Impeller
15	Impeller Key
12	Impeller Nut
16	Stub Shaft
18	Shaft Collar
13	Impeller Nut Gasket
14	Impeller Gasket Back

**AC+ Conversion Kit**

*Optional Items Shown in ITALICS*

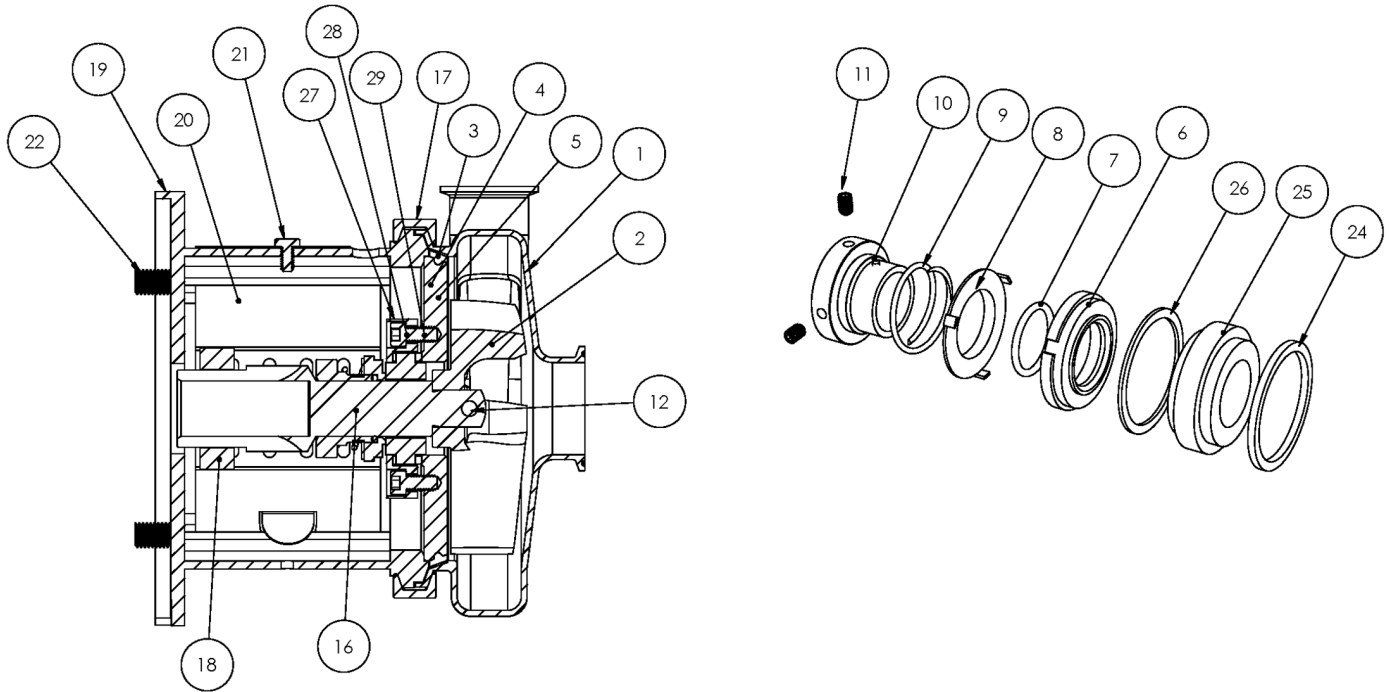
Ref #	Component Item No.	Description	Qty Per
1	<b>C+KIT-328/18</b>	<b>KIT,328,180TC,C+CONVRT,BUNA C</b>	<b>1</b>
	<i>C+KIT-328/18-E</i>	<i>KIT,328,180TC,C+CONVRT,EPDM C</i>	<i>1</i>
	<i>C+KIT-328/18-V</i>	<i>KIT,328,180TC,C+CONVRT,VIT C</i>	<i>1</i>



**Exploded View**

*Optional Items Shown in ITALICS*

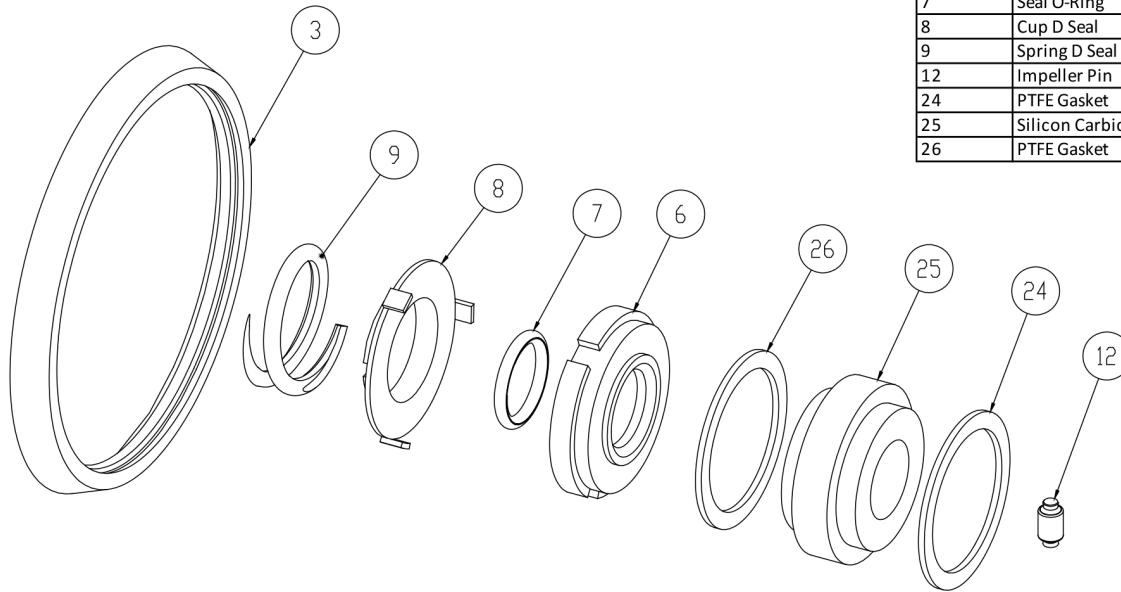
Ref #	Component Item No.	Description	Qty Per
1	<b>S328M-01C</b>	<b>CASING,3X2,TRI-CLMP C328/C+328</b>	1
	<i>S328T-01C</i>	<i>CASING,3X2,BVL SEAT C328/C+328</i>	1
	<i>S328MI-01C</i>	<i>CASING,3X2,CLMP GLASS BEAD C328/C+328</i>	1
	<i>S328S-01C</i>	<i>CASING,3X2,FEMALE NPT C328/C+328</i>	1
	<i>S328F-01D</i>	<i>CASING,3X2,FLNGD C328/C+328</i>	1
2	<b>S328-02C</b>	<b>IMPELLER,328/428 C UNIVERSAL</b>	1
3	<b>S328-90A-U</b>	<b>GASKET,218/328,CASING,BUNA C C+</b>	1
	<i>S328-90A-E</i>	<i>GASKET,218/328,CASING,EPDM C C+</i>	1
	<i>S328-90A-V</i>	<i>GASKET,218/328,CASING,VIT C C+</i>	1
4	<b>SP328G-11-316L</b>	<b>BACKPLATE,DG,218/328 C C+</b>	1
5	<b>216D-11-1-S</b>	<b>PIN,BACKPLT,114/216/328 C C+</b>	2
6	<b>328E-80-1A</b>	<b>SEAL,218/328,3218,CARBON C C+</b>	1
	<i>328E-80-1SC</i>	<i>SEAL,328,RTRY,SILC CARB C C+</i>	1
7	<b>S328-80-2-U</b>	<b>O-RING,218/328,SEAL,BUNA C C+</b>	1
	<i>S328-80-2-E</i>	<i>O-RING,218/328,SEAL,EPDM,2-222 C C+</i>	1
	<i>S328-80-2-V</i>	<i>O-RING,218/328,SEAL,VIT C C+</i>	1
8	<b>328D-80-3P</b>	<b>CUP,D,218/318/328/428 C C+</b>	1
9	<b>328D-80-4</b>	<b>SPRING,D,218/328/428,+3218 C C+ DB</b>	1
10	<b>SP328D-23P-S</b>	<b>COLLAR,D,218/328/+3218,DRIVE C C+</b>	1
11	<b>SC1105A-SS</b>	<b>SCREW,SET,DRV COLLR,1/4-20X3/8 -SS</b>	2
12	<b>328D-24B-316L</b>	<b>RETAINER,IMPLR</b>	1
16	<b>CS328E21T-06</b>	<b>STUBSHAFT,210TC,UNIVRSL C218/C328</b>	1
17	<b>S328-75AR-S</b>	<b>CLAMP,218/328,CASING C C+</b>	1
18	<b>SX18000015</b>	<b>COLLAR,210TC,SHAFT LC</b>	1
19	<b>328D21T-71C-SS</b>	<b>ADAPTER,210TC FRAME,SS C218/C328/C+218/C+328</b>	1
20	<b>C328-21T-131-S</b>	<b>GUARD,SEAL,218/318/328/428,SS C C+ CB+ 210TC</b>	1
21	<b>GX5079600</b>	<b>CAPSCRW,HX,1/4-20X1/2,18-8SS HX HD</b>	1



**Exploded View**

*Optional Items Shown in ITALICS*

Ref #	Component Item No.	Description	Qty Per
22	SC1710H-SS	CAPSCRW,HX,1/2-13X1,18-8SS HX HD	4
24	SP328G-80-12AG	GASKET,218/328,DG,THK,PTFE C C+	1
25	SP328G-80-11SC	SEAT,218/328,DG,SEAL,SILC CARB C C+	1
	<i>SP328G-80-11TC</i>	<i>SEAT,328,DG,SEAL,TUNG CARB C C+</i>	1
	<i>SP328G-80-11CER</i>	<i>SEAT,328,DG,SEAL,CERAMIC C C+</i>	1
26	SP328G-80-12G	GASKET,218/328,DG,THN,PTFE C C+	1
27	SP328G-17-316L	RING,218/328,GLAND,DG C C+	1
28	SC1310H-SS	CAPSCRW,HX,5/16-18X1-1/8,18-8S HX HD	4
29	LWA-1300-SS	WASHER,LOCK,5/16,18-8SS	4

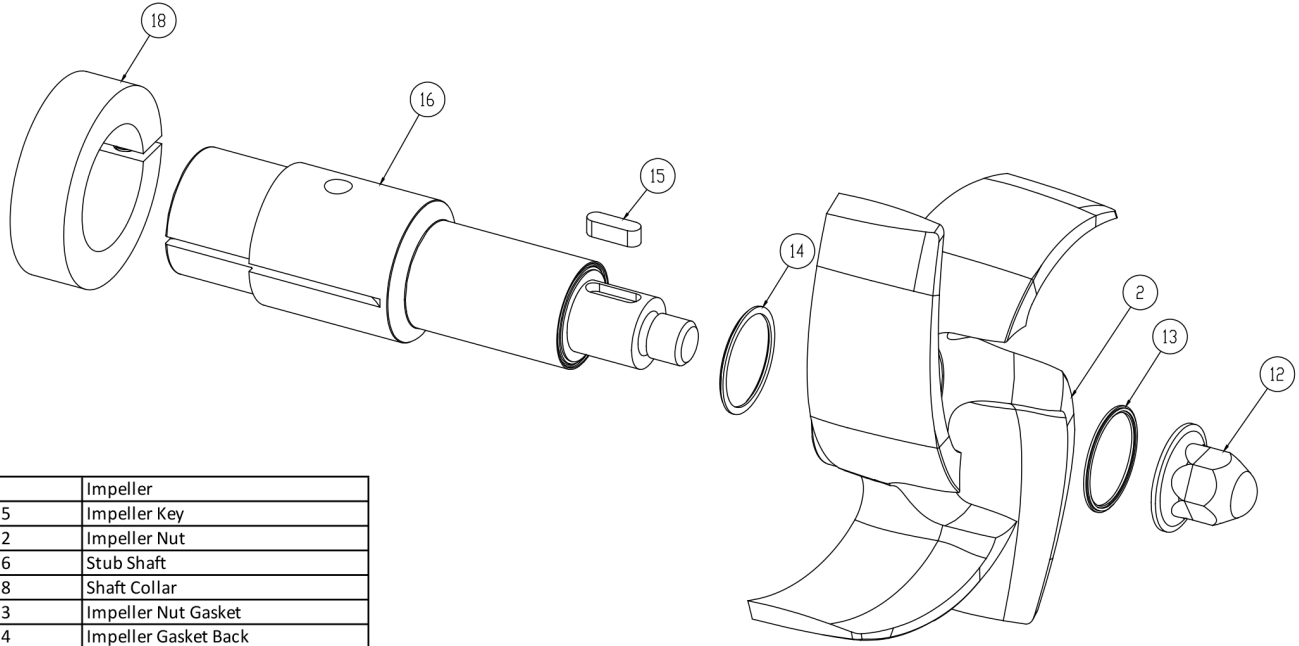


3	Casing Gasket
6	Seal Carbon
7	Seal O-Ring
8	Cup D Seal
9	Spring D Seal
12	Impeller Pin
24	PTFE Gasket
25	Silicon Carbide Seat
26	PTFE Gasket

**Seal Kit DG**

*Optional Items Shown in ITALICS*

Ref #	Component Item No.	Description	Qty Per
1	<b>KITDG-C218-B</b>	<b>KIT,218/328,DG,SEAL,BUNA C</b>	<b>1</b>
	<i>KITDG-C218-E</i>	<i>KIT,218/328,DG SEAL,EPDM C</i>	<i>1</i>
	<i>KITDG-C218-S</i>	<i>KIT,218/328,DG,SEAL,VIT C</i>	<i>1</i>

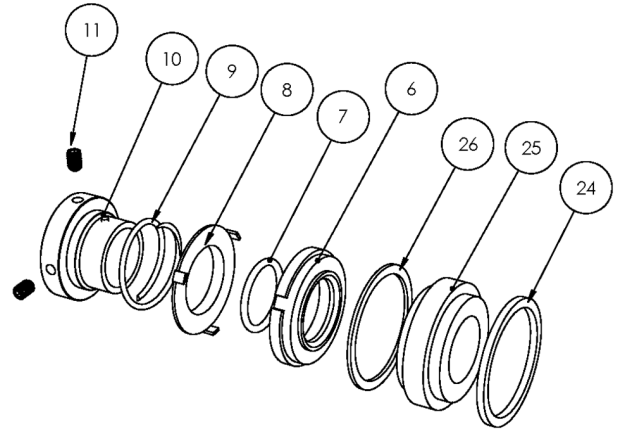
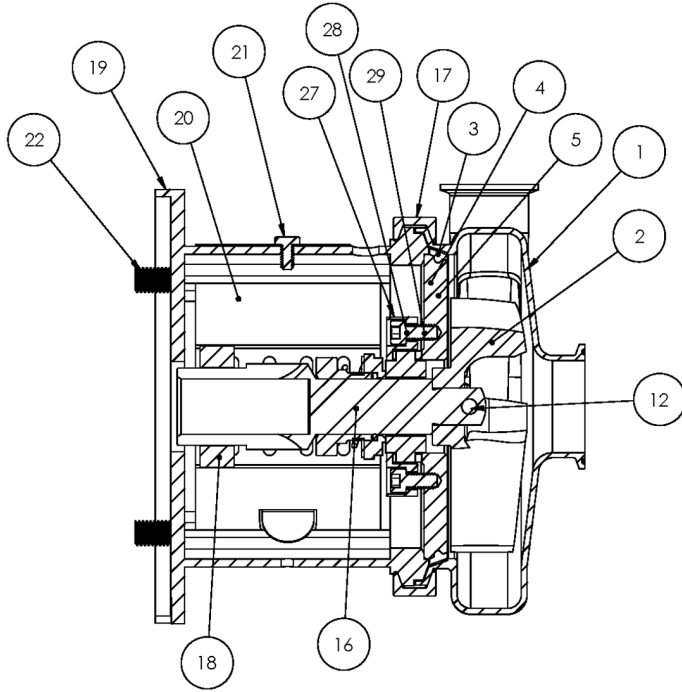


2	Impeller
15	Impeller Key
12	Impeller Nut
16	Stub Shaft
18	Shaft Collar
13	Impeller Nut Gasket
14	Impeller Gasket Back

**AC+ Conversion Kit**

*Optional Items Shown in ITALICS*

Ref #	Component Item No.	Description	Qty Per
1	<b>C+KIT-328/21</b>	<b>KIT,328,210TC,C+CONVRT,BUNA C</b>	<b>1</b>
	<i>C+KIT-328/21-E</i>	<i>KIT,328,210TC,C+CONVRT,EPDM C</i>	<i>1</i>
	<i>C+KIT-328/21-V</i>	<i>KIT,328,210TC,C+CONVRT,VIT C</i>	<i>1</i>

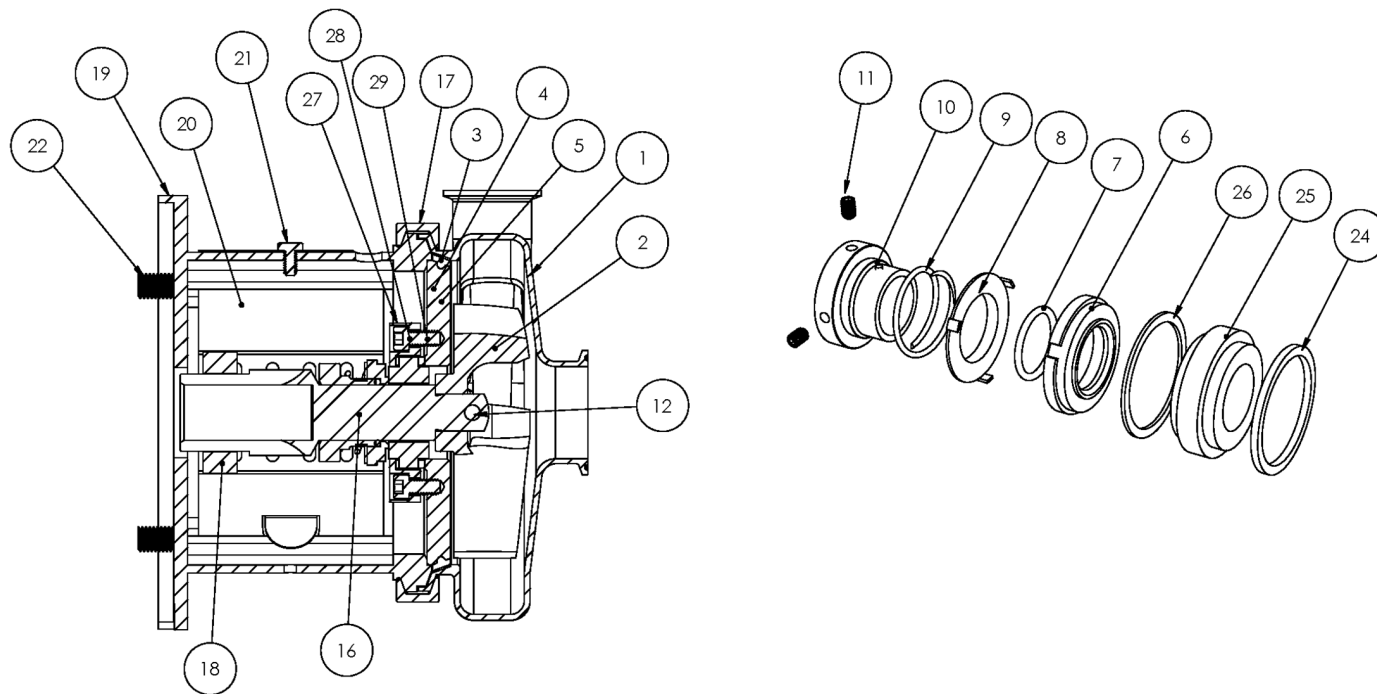


**Exploded View**

*Optional Items Shown in ITALICS*

Ref #	Component Item No.	Description	Qty Per
1	<b>S328M-01C</b>	<b>CASING,3X2,TRI-CLMP C328/C+328</b>	1
	<i>S328T-01C</i>	<i>CASING,3X2,BVL SEAT C328/C+328</i>	1
	<i>S328MI-01C</i>	<i>CASING,3X2,CLMP GLASS BEAD C328/C+328</i>	1
	<i>S328S-01C</i>	<i>CASING,3X2,FEMALE NPT C328/C+328</i>	1
	<i>S328F-01D</i>	<i>CASING,3X2,FLNGD C328/C+328</i>	1
2	<b>S328-02C</b>	<b>IMPELLER,328/428 C UNIVERSAL</b>	1
3	<b>S328-90A-U</b>	<b>GASKET,218/328,CASING,BUNA C C+</b>	1
	<i>S328-90A-E</i>	<i>GASKET,218/328,CASING,EPDM C C+</i>	1
	<i>S328-90A-V</i>	<i>GASKET,218/328,CASING,VIT C C+</i>	1
4	<b>SP328G-11-316L</b>	<b>BACKPLATE,DG,218/328 C C+</b>	1
5	<b>216D-11-1-S</b>	<b>PIN,BACKPLT,114/216/328 C C+</b>	2
6	<b>328E-80-1A</b>	<b>SEAL,218/328,3218,CARBON C C+</b>	1
	<i>328E-80-1SC</i>	<i>SEAL,328,RTRY,SILC CARB C C+</i>	1
7	<b>S328-80-2-U</b>	<b>O-RING,218/328,SEAL,BUNA C C+</b>	1
	<i>S328-80-2-E</i>	<i>O-RING,218/328,SEAL,EPDM,2-222 C C+</i>	1
	<i>S328-80-2-V</i>	<i>O-RING,218/328,SEAL,VIT C C+</i>	1
8	<b>328D-80-3P</b>	<b>CUP,D,218/318/328/428 C C+</b>	1
9	<b>328D-80-4</b>	<b>SPRING,D,218/328/428,+3218 C C+ DB</b>	1
10	<b>SP328D-23P-S</b>	<b>COLLAR,D,218/328/+3218,DRIVE C C+</b>	1
11	<b>SC1105A-SS</b>	<b>SCREW,SET,DRV COLLR,1/4-20X3/8 -SS</b>	2
12	<b>328D-24B-316L</b>	<b>RETAINER,IMPLR</b>	1
16	<b>CS328E25T-06</b>	<b>STUBSHAFT,250TC,UNIVRSL C218/C328</b>	1
17	<b>S328-75AR-S</b>	<b>CLAMP,218/328,CASING C C+</b>	1
18	<b>SX18000016</b>	<b>COLLAR,250TC/280TSC,SHAFT LC</b>	1
19	<b>328D25T-71C-SS</b>	<b>ADAPTER,250TC FRAME,SS C218/C328/C+218/C+328</b>	1
20	<b>C328-25T-131-S</b>	<b>GUARD,SEAL,218/328/428,SS C C+ CB+ 250TC</b>	1
21	<b>GX5079600</b>	<b>CAPSCRW,HX,1/4-20X1/2,18-8SS HX HD</b>	1

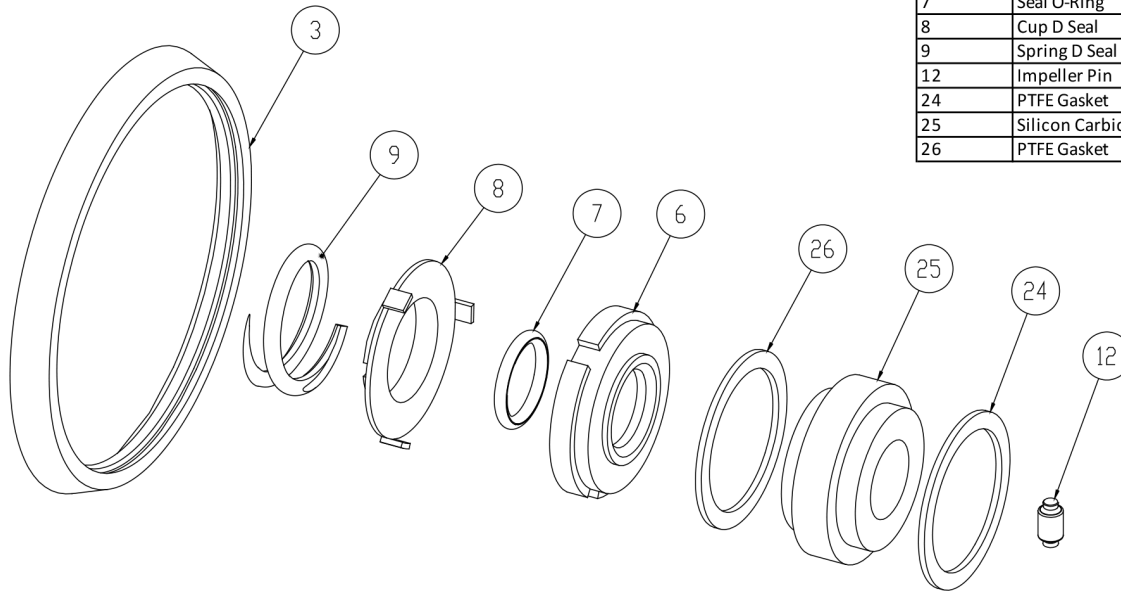




**Exploded View**

*Optional Items Shown in ITALICS*

Ref #	Component Item No.	Description	Qty Per
22	SC1710H-SS	CAPSCRW,HX,1/2-13X1,18-8SS HX HD	4
24	SP328G-80-12AG	GASKET,218/328,DG,THK,PTFE C C+	1
25	SP328G-80-11SC	SEAT,218/328,DG,SEAL,SILC CARB C C+	1
	<i>SP328G-80-11TC</i>	<i>SEAT,328,DG,SEAL,TUNG CARB C C+</i>	1
	<i>SP328G-80-11CER</i>	<i>SEAT,328,DG,SEAL,CERAMIC C C+</i>	1
26	SP328G-80-12G	GASKET,218/328,DG,THN,PTFE C C+	1
27	SP328G-17-316L	RING,218/328,GLAND,DG C C+	1
28	SC1310H-SS	CAPSCRW,HX,5/16-18X1-1/8,18-8S HX HD	4
29	LWA-1300-SS	WASHER,LOCK,5/16,18-8SS	4

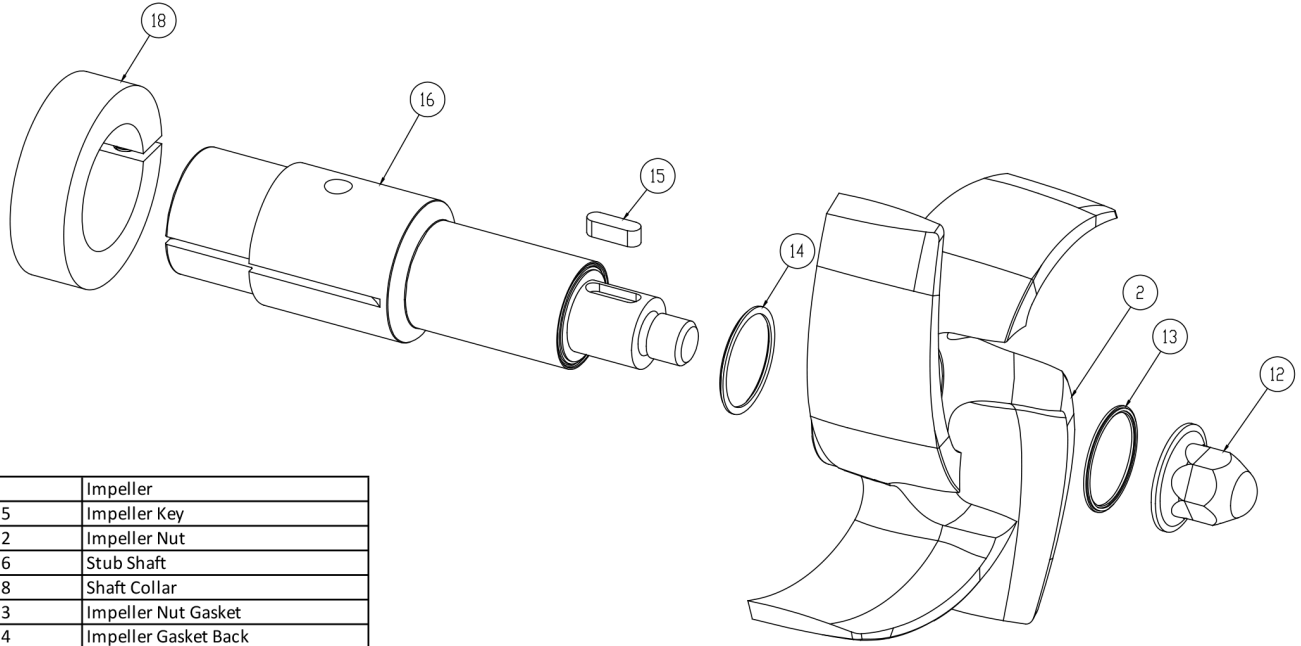


3	Casing Gasket
6	Seal Carbon
7	Seal O-Ring
8	Cup D Seal
9	Spring D Seal
12	Impeller Pin
24	PTFE Gasket
25	Silicon Carbide Seat
26	PTFE Gasket

**Seal Kit DG**

*Optional Items Shown in ITALICS*

Ref #	Component Item No.	Description	Qty Per
1	<b>KITDG-C218-B</b>	<b>KIT,218/328,DG,SEAL,BUNA C</b>	<b>1</b>
	<i>KITDG-C218-E</i>	<i>KIT,218/328,DG SEAL,EPDM C</i>	<i>1</i>
	<i>KITDG-C218-S</i>	<i>KIT,218/328,DG,SEAL,VIT C</i>	<i>1</i>

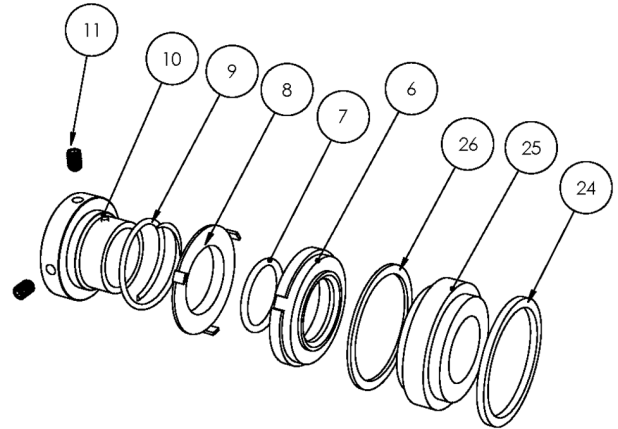
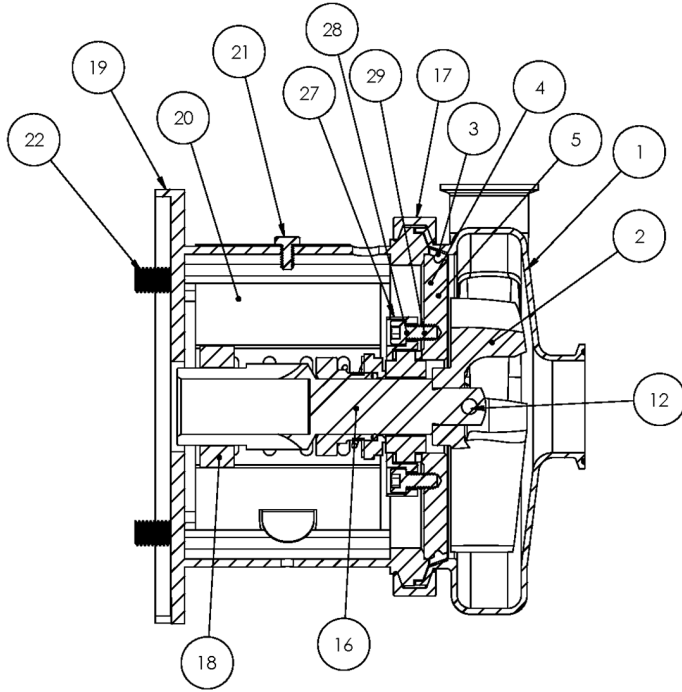


2	Impeller
15	Impeller Key
12	Impeller Nut
16	Stub Shaft
18	Shaft Collar
13	Impeller Nut Gasket
14	Impeller Gasket Back

**AC+ Conversion Kit**

*Optional Items Shown in ITALICS*

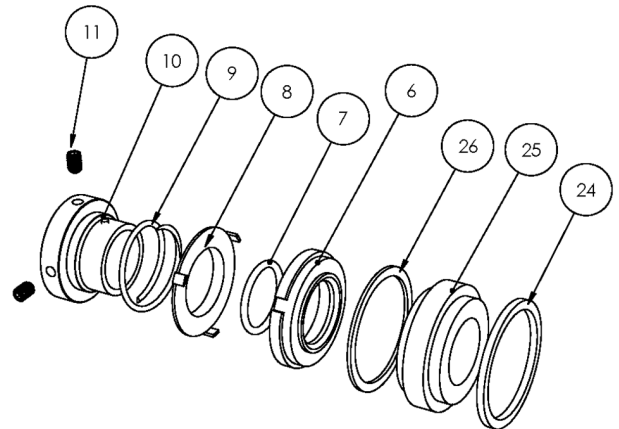
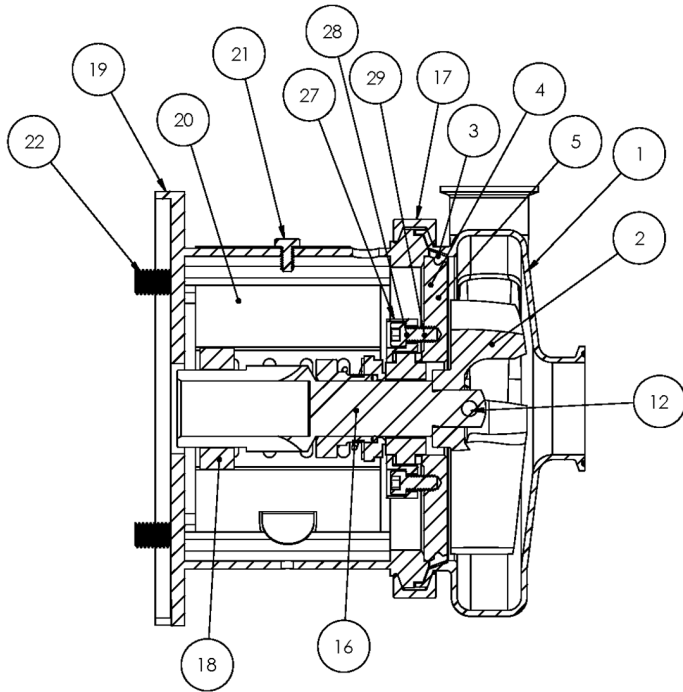
Ref #	Component Item No.	Description	Qty Per
1	<b>C+KIT-328/25</b>	<b>KIT,328,250TC,C+CONVRT,BUNA C</b>	<b>1</b>
	<i>C+KIT-328/25-E</i>	<i>KIT,328,250TC,C+CONVRT,EPDM C</i>	<i>1</i>
	<i>C+KIT-328/25-V</i>	<i>KIT,328,250TC,C+CONVRT,VIT C</i>	<i>1</i>



**Exploded View**

*Optional Items Shown in ITALICS*

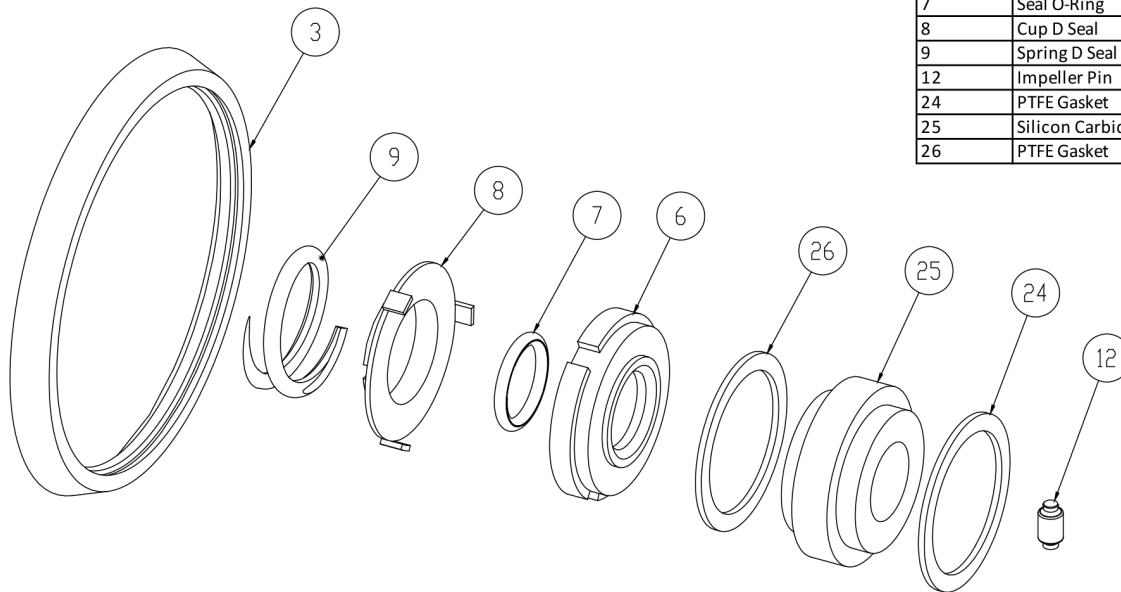
Ref #	Component Item No.	Description	Qty Per
1	<b>S328M-01C</b>	<b>CASING,3X2,TRI-CLMP C328/C+328</b>	1
	<i>S328T-01C</i>	<i>CASING,3X2,BVL SEAT C328/C+328</i>	1
	<i>S328MI-01C</i>	<i>CASING,3X2,CLMP GLASS BEAD C328/C+328</i>	1
	<i>S328S-01C</i>	<i>CASING,3X2,FEMALE NPT C328/C+328</i>	1
	<i>S328F-01D</i>	<i>CASING,3X2,FLNGD C328/C+328</i>	1
2	<b>S328-02C</b>	<b>IMPELLER,328/428 C UNIVERSAL</b>	1
3	<b>S328-90A-U</b>	<b>GASKET,218/328,CASING,BUNA C C+</b>	1
	<i>S328-90A-E</i>	<i>GASKET,218/328,CASING,EPDM C C+</i>	1
	<i>S328-90A-V</i>	<i>GASKET,218/328,CASING,VIT C C+</i>	1
4	<b>SP328G-11-316L</b>	<b>BACKPLATE,DG,218/328 C C+</b>	1
5	<b>216D-11-1-S</b>	<b>PIN,BACKPLT,114/216/328 C C+</b>	2
6	<b>328E-80-1A</b>	<b>SEAL,218/328,3218,CARBON C C+</b>	1
	<i>328E-80-1SC</i>	<i>SEAL,328,RTRY,SILC CARB C C+</i>	1
7	<b>S328-80-2-U</b>	<b>O-RING,218/328,SEAL,BUNA C C+</b>	1
	<i>S328-80-2-E</i>	<i>O-RING,218/328,SEAL,EPDM,2-222 C C+</i>	1
	<i>S328-80-2-V</i>	<i>O-RING,218/328,SEAL,VIT C C+</i>	1
8	<b>328D-80-3P</b>	<b>CUP,D,218/318/328/428 C C+</b>	1
9	<b>328D-80-4</b>	<b>SPRING,D,218/328/428,+3218 C C+ DB</b>	1
10	<b>SP328D-23P-S</b>	<b>COLLAR,D,218/328/+3218,DRIVE C C+</b>	1
11	<b>SC1105A-SS</b>	<b>SCREW,SET,DRV COLLR,1/4-20X3/8 -SS</b>	2
12	<b>328D-24B-316L</b>	<b>RETAINER,IMPLR</b>	1
16	<b>CS328E28T-06</b>	<b>STUBSHAFT,280TC,UNIVRSL C218/C328</b>	1
17	<b>S328-75AR-S</b>	<b>CLAMP,218/328,CASING C C+</b>	1
18	<b>SX18000027</b>	<b>COLLAR,280TC/320TSC,SHAFT LC</b>	1
19	<b>328D28T-71C-SS</b>	<b>ADAPTER,280TC/TSC FRAME,SS C218/C328/C+218/C+328</b>	1
20	<b>C328-28T-131-S</b>	<b>GUARD,SEAL,218/328/428/4410,SS C C+</b>	1
21	<b>GX5079600</b>	<b>CAPSCRW,HX,1/4-20X1/2,18-8SS HX HD</b>	1



**Exploded View**

*Optional Items Shown in ITALICS*

Ref #	Component Item No.	Description	Qty Per
22	SC1710H-SS	CAPSCRW,HX,1/2-13X1,18-8SS HX HD	4
24	SP328G-80-12AG	GASKET,218/328,DG,THK,PTFE C C+	1
25	SP328G-80-11SC	SEAT,218/328,DG,SEAL,SILC CARB C C+	1
	<i>SP328G-80-11TC</i>	<i>SEAT,328,DG,SEAL,TUNG CARB C C+</i>	1
	<i>SP328G-80-11CER</i>	<i>SEAT,328,DG,SEAL,CERAMIC C C+</i>	1
26	SP328G-80-12G	GASKET,218/328,DG,THN,PTFE C C+	1
27	SP328G-17-316L	RING,218/328,GLAND,DG C C+	1
28	SC1310H-SS	CAPSCRW,HX,5/16-18X1-1/8,18-8S HX HD	4
29	LWA-1300-SS	WASHER,LOCK,5/16,18-8SS	4

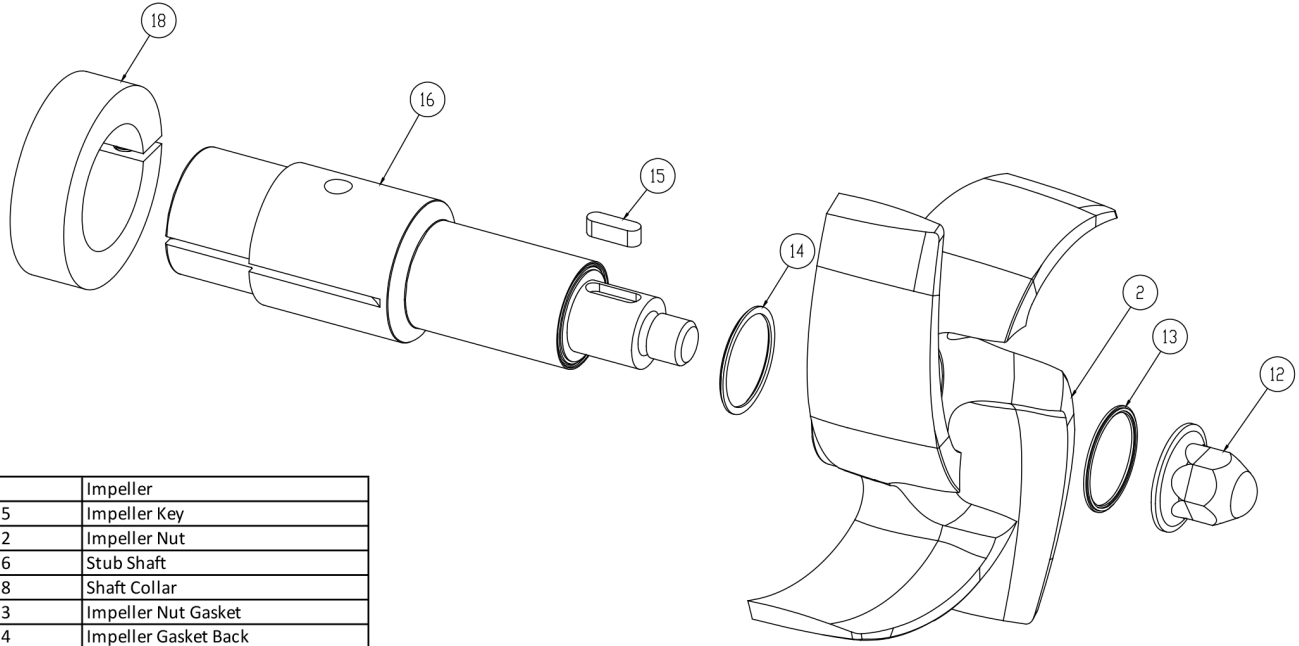


3	Casing Gasket
6	Seal Carbon
7	Seal O-Ring
8	Cup D Seal
9	Spring D Seal
12	Impeller Pin
24	PTFE Gasket
25	Silicon Carbide Seat
26	PTFE Gasket

**Seal Kit DG**

*Optional Items Shown in ITALICS*

Ref #	Component Item No.	Description	Qty Per
1	<b>KITDG-C218-B</b>	<b>KIT,218/328,DG,SEAL,BUNA C</b>	<b>1</b>
	<i>KITDG-C218-E</i>	<i>KIT,218/328,DG SEAL,EPDM C</i>	<i>1</i>
	<i>KITDG-C218-S</i>	<i>KIT,218/328,DG,SEAL,VIT C</i>	<i>1</i>

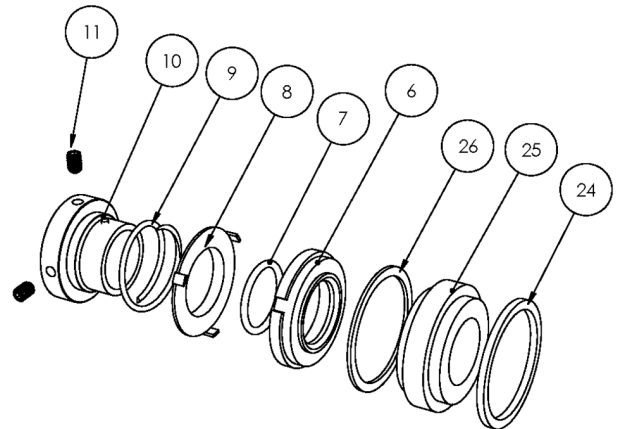
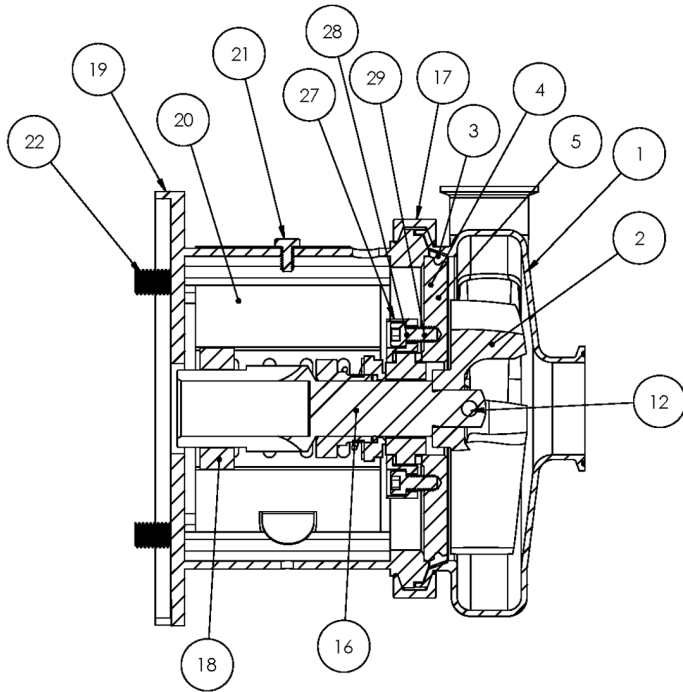


2	Impeller
15	Impeller Key
12	Impeller Nut
16	Stub Shaft
18	Shaft Collar
13	Impeller Nut Gasket
14	Impeller Gasket Back

**AC+ Conversion Kit**

*Optional Items Shown in ITALICS*

Ref #	Component Item No.	Description	Qty Per
1	<b>C+KIT-328/28</b>	<b>KIT,328,280TC,C+CONVRT,BUNA C</b>	<b>1</b>
	<i>C+KIT-328/28-E</i>	<i>KIT,328,280TC,C+CONVRT,EPDM C</i>	<i>1</i>
	<i>C+KIT-328/28-V</i>	<i>KIT,328,280TC,C+CONVRT,VIT C</i>	<i>1</i>

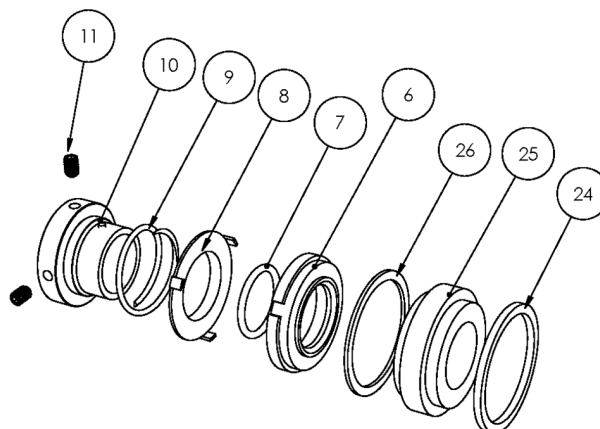
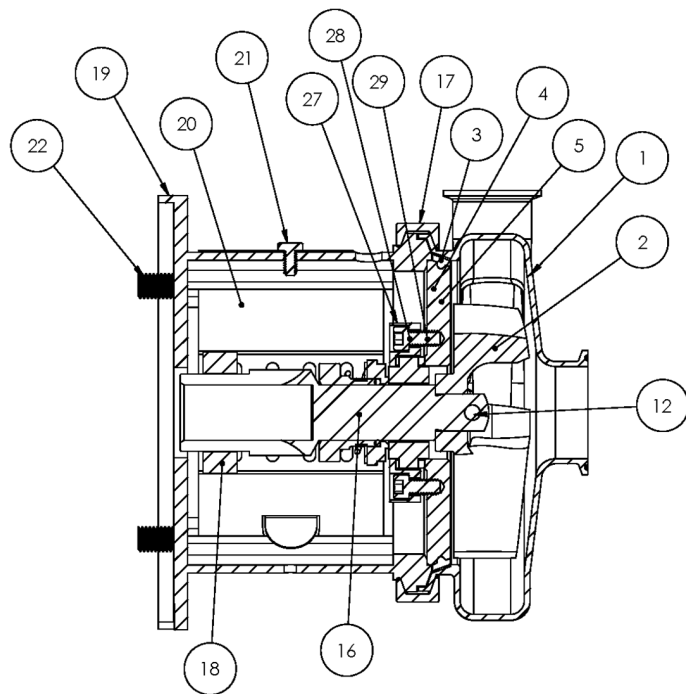


**Exploded View**

*Optional Items Shown in ITALICS*

Ref #	Component Item No.	Description	Qty Per
1	<b>S328M-01C</b>	<b>CASING,3X2,TRI-CLMP C328/C+328</b>	1
	<i>S328T-01C</i>	<i>CASING,3X2,BVL SEAT C328/C+328</i>	1
	<i>S328MI-01C</i>	<i>CASING,3X2,CLMP GLASS BEAD C328/C+328</i>	1
	<i>S328S-01C</i>	<i>CASING,3X2,FEMALE NPT C328/C+328</i>	1
	<i>S328F-01D</i>	<i>CASING,3X2,FLNGD C328/C+328</i>	1
2	<b>S328-02C</b>	<b>IMPELLER,328/428 C UNIVERSAL</b>	1
3	<b>S328-90A-U</b>	<b>GASKET,218/328,CASING,BUNA C C+</b>	1
	<i>S328-90A-E</i>	<i>GASKET,218/328,CASING,EPDM C C+</i>	1
	<i>S328-90A-V</i>	<i>GASKET,218/328,CASING,VIT C C+</i>	1
4	<b>SP328G-11-316L</b>	<b>BACKPLATE,DG,218/328 C C+</b>	1
5	<b>216D-11-1-S</b>	<b>PIN,BACKPLT,114/216/328 C C+</b>	2
6	<b>328E-80-1A</b>	<b>SEAL,218/328,3218,CARBON C C+</b>	1
	<i>328E-80-1SC</i>	<i>SEAL,328,RTRY,SILC CARB C C+</i>	1
7	<b>S328-80-2-U</b>	<b>O-RING,218/328,SEAL,BUNA C C+</b>	1
	<i>S328-80-2-E</i>	<i>O-RING,218/328,SEAL,EPDM,2-222 C C+</i>	1
	<i>S328-80-2-V</i>	<i>O-RING,218/328,SEAL,VIT C C+</i>	1
8	<b>328D-80-3P</b>	<b>CUP,D,218/318/328/428 C C+</b>	1
9	<b>328D-80-4</b>	<b>SPRING,D,218/328/428,+3218 C C+ DB</b>	1
10	<b>SP328D-23P-S</b>	<b>COLLAR,D,218/328/+3218,DRIVE C C+</b>	1
11	<b>SC1105A-SS</b>	<b>SCREW,SET,DRV COLLR,1/4-20X3/8 -SS</b>	2
12	<b>328D-24B-316L</b>	<b>RETAINER,IMPLR</b>	1
16	<b>CS328E28TS-06</b>	<b>STUBSHAFT,280TSC,UNIVRSL C218/C328</b>	1
17	<b>S328-75AR-S</b>	<b>CLAMP,218/328,CASING C C+</b>	1
18	<b>SX18000035</b>	<b>COLLAR,250TC/280TSC,SHAFT LC</b>	1
19	<b>328D28T-71C-SS</b>	<b>ADAPTER,280TC/TSC FRAME,SS C218/C328/C+218/C+328</b>	1
20	<b>C328-28T-131-S</b>	<b>GUARD,SEAL,218/328/428/4410,SS C C+</b>	1
21	<b>GX5079600</b>	<b>CAPSCRW,HX,1/4-20X1/2,18-8SS HX HD</b>	1

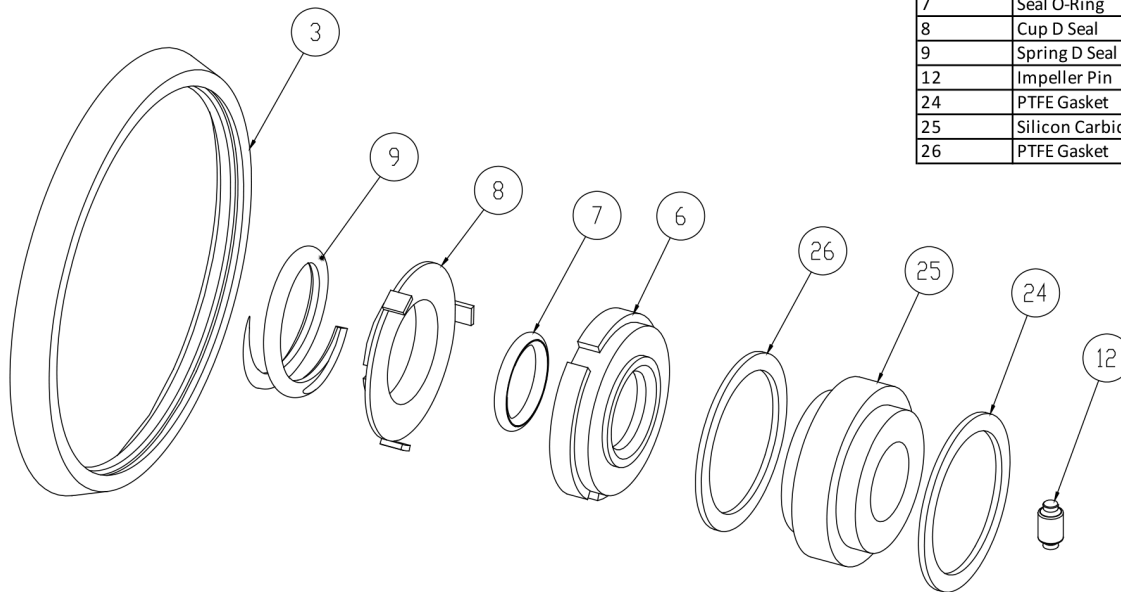




**Exploded View**

*Optional Items Shown in ITALICS*

Ref #	Component Item No.	Description	Qty Per
22	SC1710H-SS	CAPSCRW,HX,1/2-13X1,18-8SS HX HD	4
24	SP328G-80-12AG	GASKET,218/328,DG,THK,PTFE C C+	1
25	SP328G-80-11SC	SEAT,218/328,DG,SEAL,SILC CARB C C+	1
	<i>SP328G-80-11TC</i>	<i>SEAT,328,DG,SEAL,TUNG CARB C C+</i>	1
	<i>SP328G-80-11CER</i>	<i>SEAT,328,DG,SEAL,CERAMIC C C+</i>	1
26	SP328G-80-12G	GASKET,218/328,DG,THN,PTFE C C+	1
27	SP328G-17-316L	RING,218/328,GLAND,DG C C+	1
28	SC1310H-SS	CAPSCRW,HX,5/16-18X1-1/8,18-8S HX HD	4
29	LWA-1300-SS	WASHER,LOCK,5/16,18-8SS	4

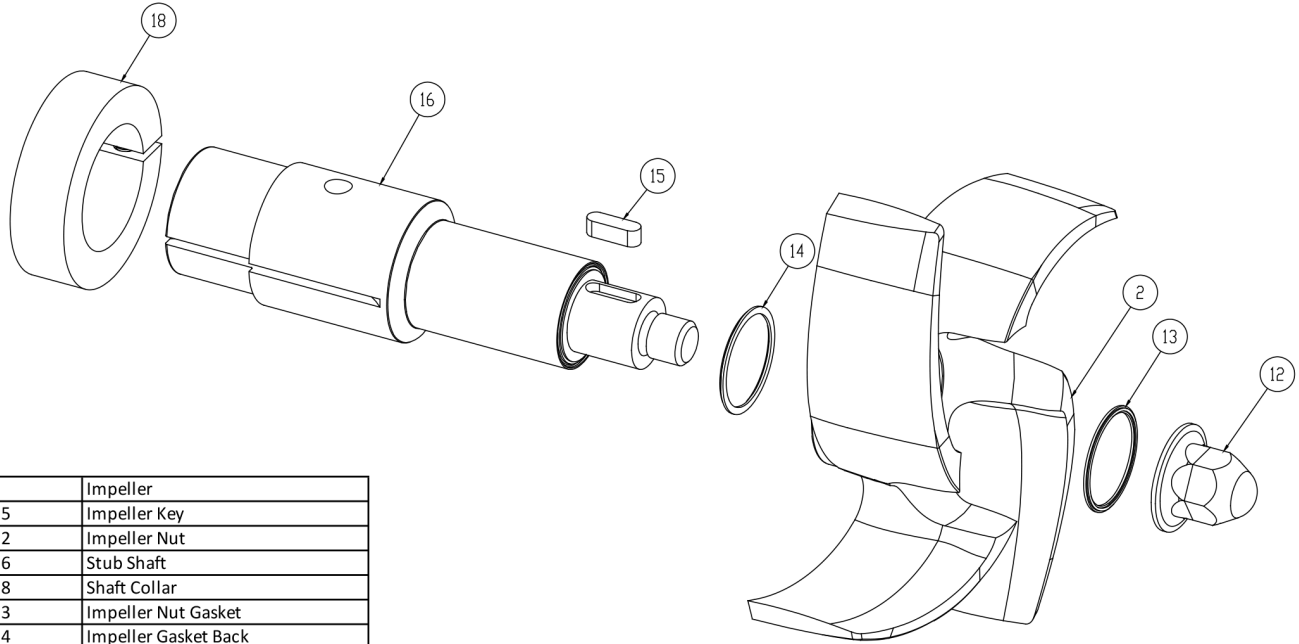


3	Casing Gasket
6	Seal Carbon
7	Seal O-Ring
8	Cup D Seal
9	Spring D Seal
12	Impeller Pin
24	PTFE Gasket
25	Silicon Carbide Seat
26	PTFE Gasket

**Seal Kit DG**

*Optional Items Shown in ITALICS*

Ref #	Component Item No.	Description	Qty Per
1	<b>KITDG-C218-B</b>	<b>KIT,218/328,DG,SEAL,BUNA C</b>	<b>1</b>
	<i>KITDG-C218-E</i>	<i>KIT,218/328,DG SEAL,EPDM C</i>	<i>1</i>
	<i>KITDG-C218-S</i>	<i>KIT,218/328,DG,SEAL,VIT C</i>	<i>1</i>

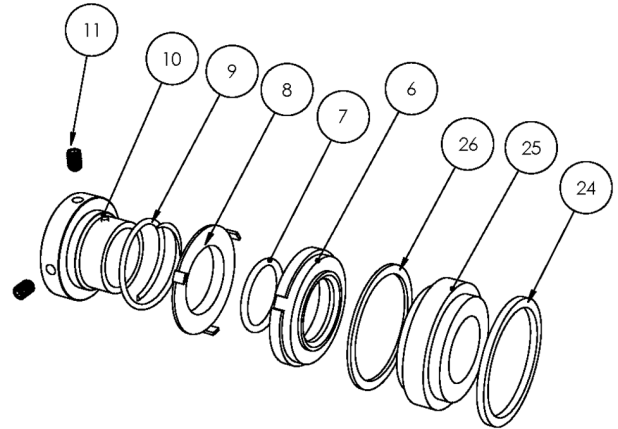
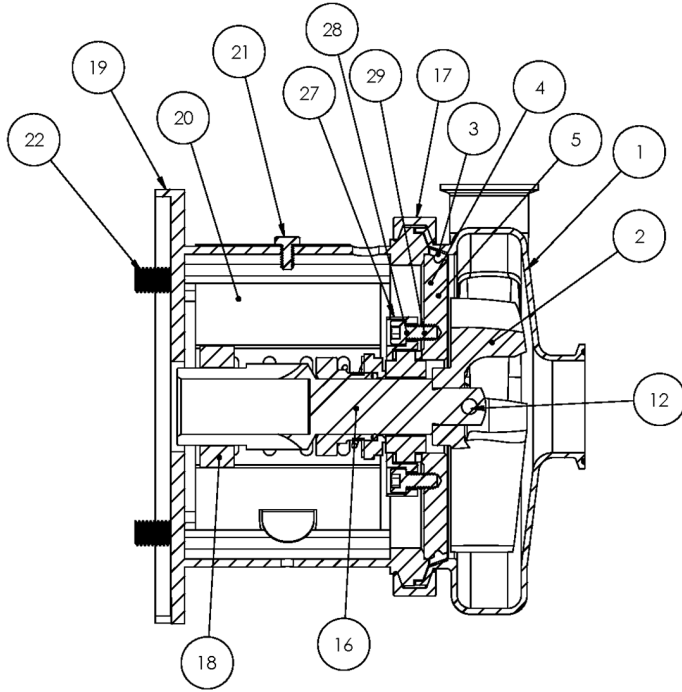


2	Impeller
15	Impeller Key
12	Impeller Nut
16	Stub Shaft
18	Shaft Collar
13	Impeller Nut Gasket
14	Impeller Gasket Back

**AC+ Conversion Kit**

*Optional Items Shown in ITALICS*

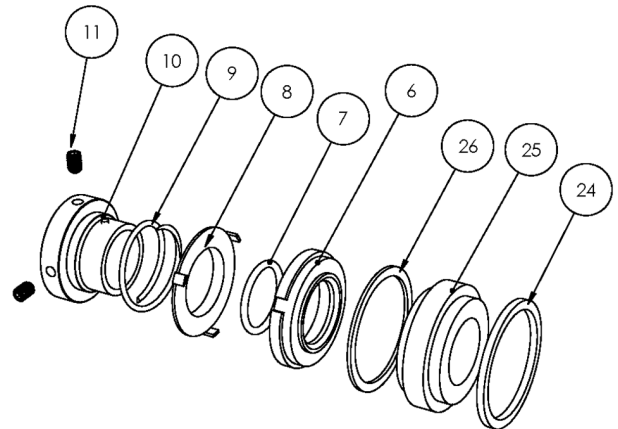
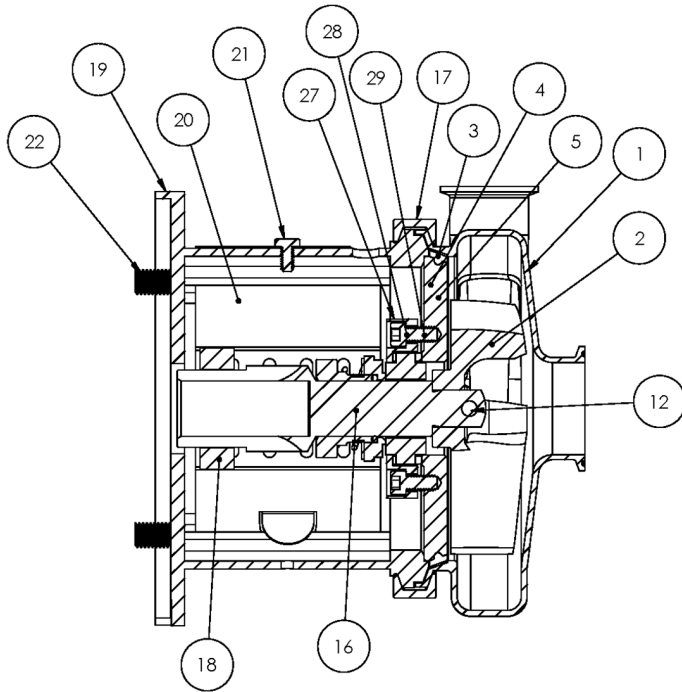
Ref #	Component Item No.	Description	Qty Per
1	<b>C+KIT-328/28TS</b>	<b>KIT,328,280TSC,C+CONVRT,BUNA C</b>	<b>1</b>
	<i>C+KIT-328/28TSE</i>	<i>KIT,328,280TSC,C+CONVRT,EPDM C</i>	<i>1</i>
	<i>C+KIT-328/28TSV</i>	<i>KIT,328,280TSC,C+CONVRT,VIT C</i>	<i>1</i>



**Exploded View**

*Optional Items Shown in ITALICS*

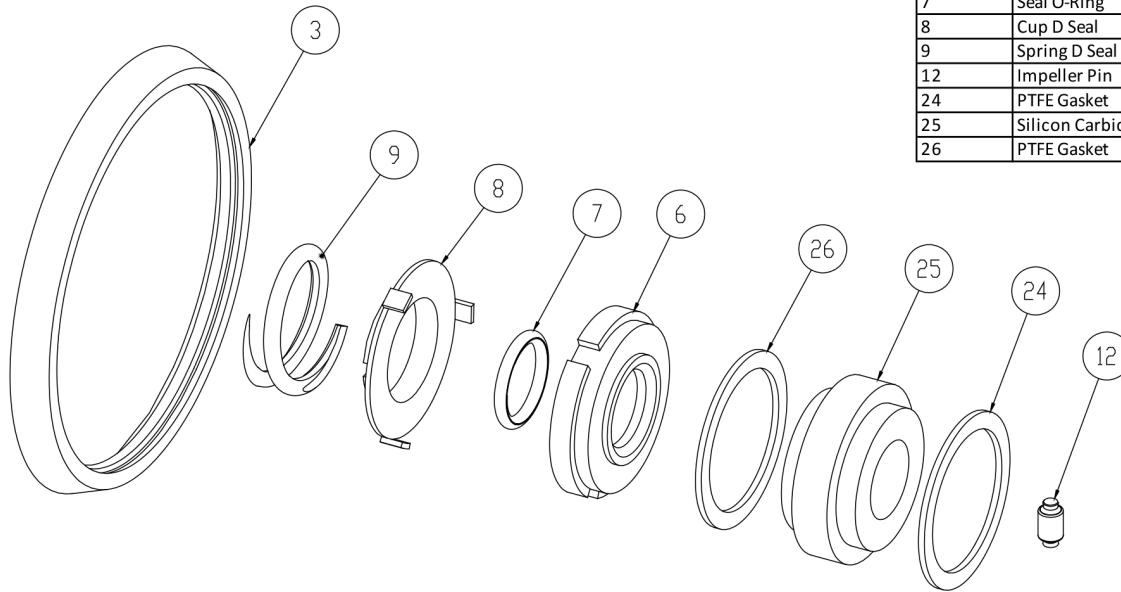
Ref #	Component Item No.	Description	Qty Per
1	<b>S328M-01C</b>	<b>CASING,3X2,TRI-CLMP C328/C+328</b>	1
	<i>S328T-01C</i>	<i>CASING,3X2,BVL SEAT C328/C+328</i>	1
	<i>S328MI-01C</i>	<i>CASING,3X2,CLMP GLASS BEAD C328/C+328</i>	1
	<i>S328S-01C</i>	<i>CASING,3X2,FEMALE NPT C328/C+328</i>	1
	<i>S328F-01D</i>	<i>CASING,3X2,FLNGD C328/C+328</i>	1
2	<b>S328-02C</b>	<b>IMPELLER,328/428 C UNIVERSAL</b>	1
3	<b>S328-90A-U</b>	<b>GASKET,218/328,CASING,BUNA C C+</b>	1
	<i>S328-90A-E</i>	<i>GASKET,218/328,CASING,EPDM C C+</i>	1
	<i>S328-90A-V</i>	<i>GASKET,218/328,CASING,VIT C C+</i>	1
4	<b>SP328G-11-316L</b>	<b>BACKPLATE,DG,218/328 C C+</b>	1
5	<b>216D-11-1-S</b>	<b>PIN,BACKPLT,114/216/328 C C+</b>	2
6	<b>328E-80-1A</b>	<b>SEAL,218/328,3218,CARBON C C+</b>	1
	<i>328E-80-1SC</i>	<i>SEAL,328,RTRY,SILC CARB C C+</i>	1
7	<b>S328-80-2-U</b>	<b>O-RING,218/328,SEAL,BUNA C C+</b>	1
	<i>S328-80-2-E</i>	<i>O-RING,218/328,SEAL,EPDM,2-222 C C+</i>	1
	<i>S328-80-2-V</i>	<i>O-RING,218/328,SEAL,VIT C C+</i>	1
8	<b>328D-80-3P</b>	<b>CUP,D,218/318/328/428 C C+</b>	1
9	<b>328D-80-4</b>	<b>SPRING,D,218/328/428,+3218 C C+ DB</b>	1
10	<b>SP328D-23P-S</b>	<b>COLLAR,D,218/328/+3218,DRIVE C C+</b>	1
11	<b>SC1105A-SS</b>	<b>SCREW,SET,DRV COLLR,1/4-20X3/8 -SS</b>	2
12	<b>328D-24B-316L</b>	<b>RETAINER,IMPLR</b>	1
16	<b>CS328E32T-06</b>	<b>STUBSHAFT,320TC,UNIVRSL C218/C328</b>	1
17	<b>S328-75AR-S</b>	<b>CLAMP,218/328,CASING C C+</b>	1
18	<b>SX18000028</b>	<b>COLLAR,320TC,SHAFT LCX</b>	1
19	<b>328D32T-71C-SS</b>	<b>ADAPTER,320TC FRAME,SS C218/C328/C+218/C+328</b>	1
20	<b>C328-28T-131-S</b>	<b>GUARD,SEAL,218/328/428/4410,SS C C+</b>	1
21	<b>GX5079600</b>	<b>CAPSCRW,HX,1/4-20X1/2,18-8SS HX HD</b>	1



**Exploded View**

*Optional Items Shown in ITALICS*

Ref #	Component Item No.	Description	Qty Per
22	GX5076700	CAPSCRW,HX,5/8-11X1-1/2,18-8SS HX HD	4
24	SP328G-80-12AG	GASKET,218/328,DG,THK,PTFE C C+	1
25	SP328G-80-11SC	SEAT,218/328,DG,SEAL,SILC CARB C C+	1
	<i>SP328G-80-11TC</i>	<i>SEAT,328,DG,SEAL,TUNG CARB C C+</i>	1
	<i>SP328G-80-11CER</i>	<i>SEAT,328,DG,SEAL,CERAMIC C C+</i>	1
26	SP328G-80-12G	GASKET,218/328,DG,THN,PTFE C C+	1
27	SP328G-17-316L	RING,218/328,GLAND,DG C C+	1
28	SC1310H-SS	CAPSCRW,HX,5/16-18X1-1/8,18-8S HX HD	4
29	LWA-1300-SS	WASHER,LOCK,5/16,18-8SS	4

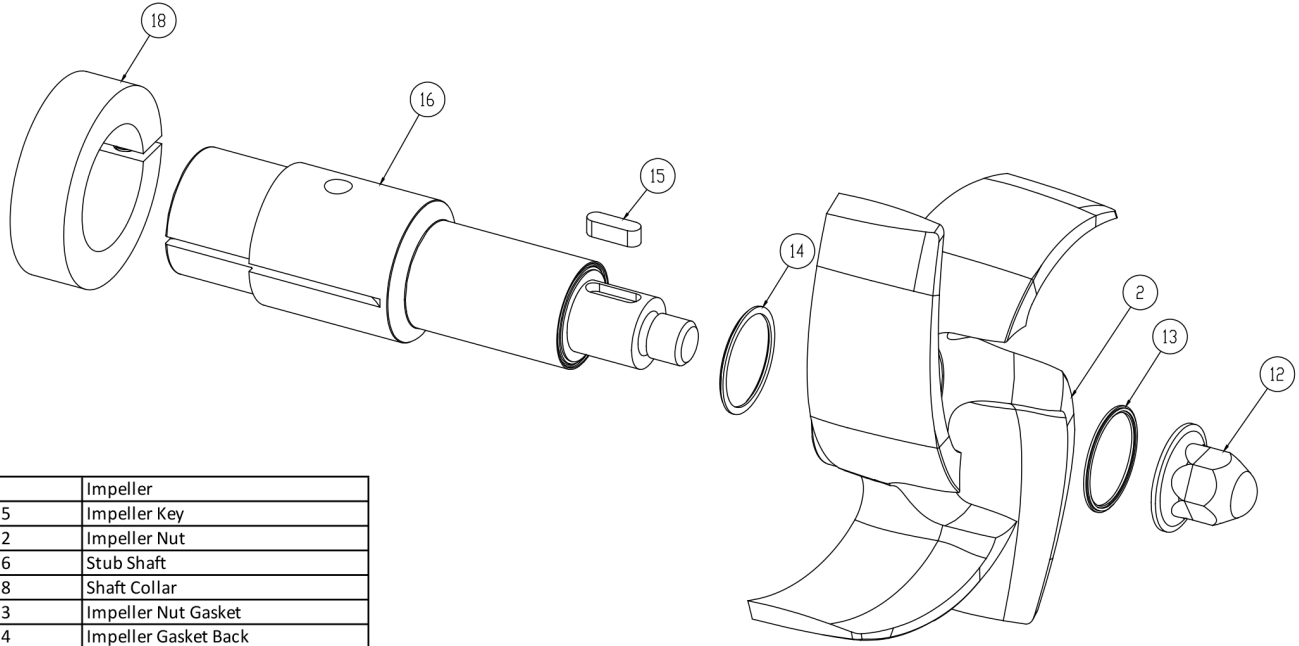


3	Casing Gasket
6	Seal Carbon
7	Seal O-Ring
8	Cup D Seal
9	Spring D Seal
12	Impeller Pin
24	PTFE Gasket
25	Silicon Carbide Seat
26	PTFE Gasket

**Seal Kit DG**

*Optional Items Shown in ITALICS*

Ref #	Component Item No.	Description	Qty Per
1	<b>KITDG-C218-B</b>	<b>KIT,218/328,DG,SEAL,BUNA C</b>	<b>1</b>
	<i>KITDG-C218-E</i>	<i>KIT,218/328,DG SEAL,EPDM C</i>	<i>1</i>
	<i>KITDG-C218-S</i>	<i>KIT,218/328,DG,SEAL,VIT C</i>	<i>1</i>

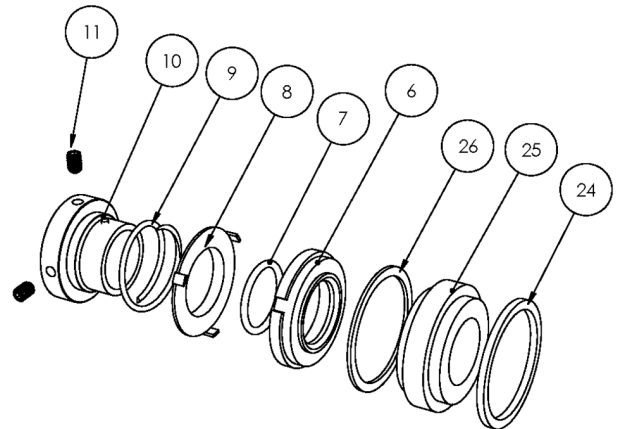
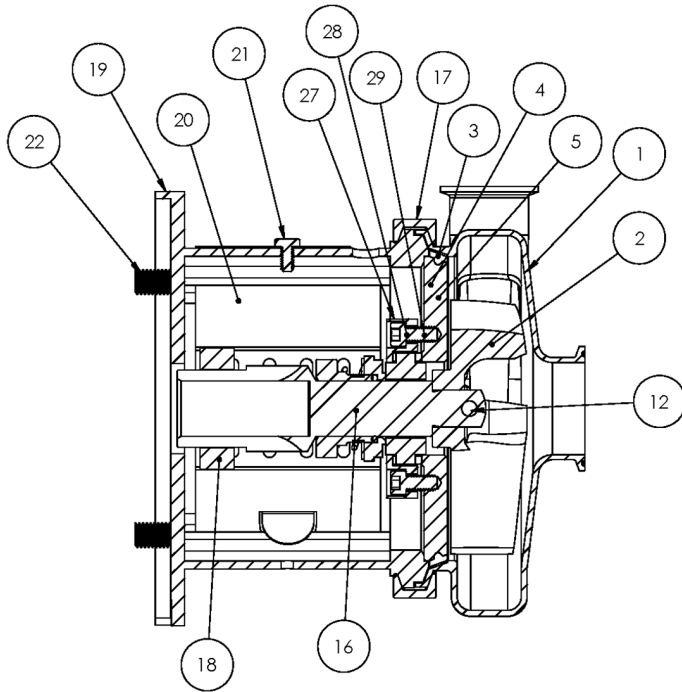


2	Impeller
15	Impeller Key
12	Impeller Nut
16	Stub Shaft
18	Shaft Collar
13	Impeller Nut Gasket
14	Impeller Gasket Back

**AC+ Conversion Kit**

*Optional Items Shown in ITALICS*

Ref #	Component Item No.	Description	Qty Per
1	<b>C+KIT-328/32</b>	<b>KIT,328,320TC,C+CONVRT,BUNA C</b>	<b>1</b>
	<i>C+KIT-328/32-E</i>	<i>KIT,328,320TC,C+CONVRT,EPDM C</i>	<i>1</i>
	<i>C+KIT-328/32-V</i>	<i>KIT,328,320TC,C+CONVRT,VIT C</i>	<i>1</i>

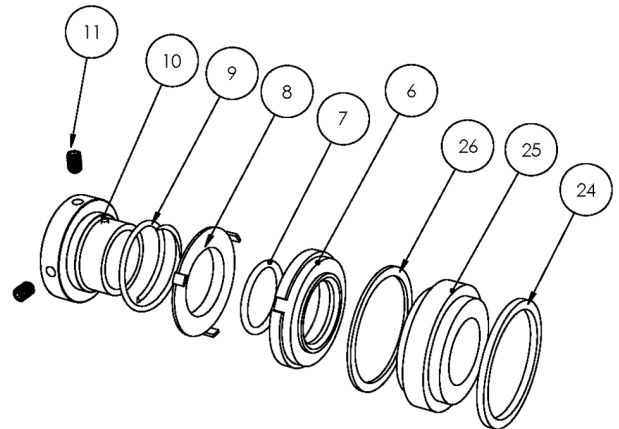
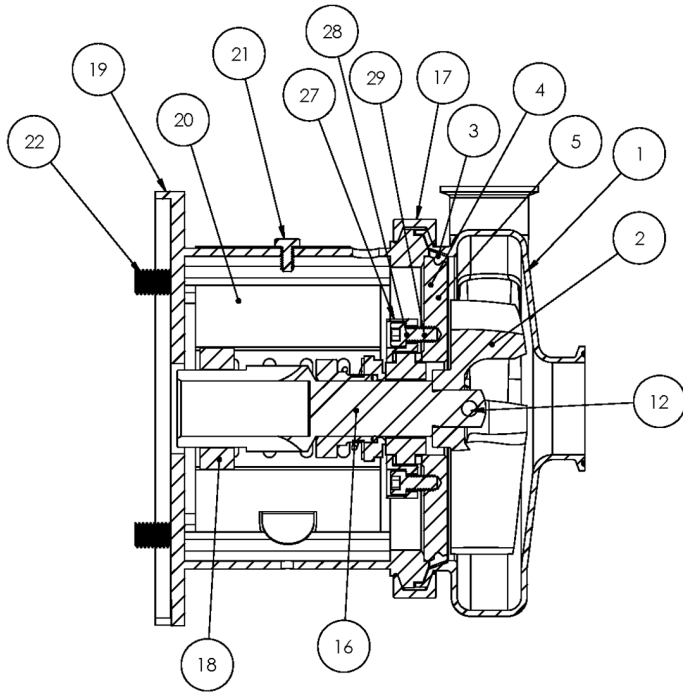


**Exploded View**

*Optional Items Shown in ITALICS*

Ref #	Component Item No.	Description	Qty Per
1	<b>S328M-01C</b>	<b>CASING,3X2,TRI-CLMP C328/C+328</b>	1
	<i>S328T-01C</i>	<i>CASING,3X2,BVL SEAT C328/C+328</i>	1
	<i>S328MI-01C</i>	<i>CASING,3X2,CLMP GLASS BEAD C328/C+328</i>	1
	<i>S328S-01C</i>	<i>CASING,3X2,FEMALE NPT C328/C+328</i>	1
	<i>S328F-01D</i>	<i>CASING,3X2,FLNGD C328/C+328</i>	1
2	<b>S328-02C</b>	<b>IMPELLER,328/428 C UNIVERSAL</b>	1
3	<b>S328-90A-U</b>	<b>GASKET,218/328,CASING,BUNA C C+</b>	1
	<i>S328-90A-E</i>	<i>GASKET,218/328,CASING,EPDM C C+</i>	1
	<i>S328-90A-V</i>	<i>GASKET,218/328,CASING,VIT C C+</i>	1
4	<b>SP328G-11-316L</b>	<b>BACKPLATE,DG,218/328 C C+</b>	1
5	<b>216D-11-1-S</b>	<b>PIN,BACKPLT,114/216/328 C C+</b>	2
6	<b>328E-80-1A</b>	<b>SEAL,218/328,3218,CARBON C C+</b>	1
	<i>328E-80-1SC</i>	<i>SEAL,328,RTRY,SILC CARB C C+</i>	1
7	<b>S328-80-2-U</b>	<b>O-RING,218/328,SEAL,BUNA C C+</b>	1
	<i>S328-80-2-E</i>	<i>O-RING,218/328,SEAL,EPDM,2-222 C C+</i>	1
	<i>S328-80-2-V</i>	<i>O-RING,218/328,SEAL,VIT C C+</i>	1
8	<b>328D-80-3P</b>	<b>CUP,D,218/318/328/428 C C+</b>	1
9	<b>328D-80-4</b>	<b>SPRING,D,218/328/428,+3218 C C+ DB</b>	1
10	<b>SP328D-23P-S</b>	<b>COLLAR,D,218/328/+3218,DRIVE C C+</b>	1
11	<b>SC1105A-SS</b>	<b>SCREW,SET,DRV COLLR,1/4-20X3/8 -SS</b>	2
12	<b>328D-24B-316L</b>	<b>RETAINER,IMPLR</b>	1
16	<b>CS328E32TS-06</b>	<b>STUBSHAFT,320TSC,UNIVRSL C218/C328</b>	1
17	<b>S328-75AR-S</b>	<b>CLAMP,218/328,CASING C C+</b>	1
18	<b>SX18000027</b>	<b>COLLAR,280TC/320TSC,SHAFT LC</b>	1
19	<b>328D32TS-71C-SS</b>	<b>ADAPTER,320TSC FRAME,SS C218/C328/C+218/C+328</b>	1
20	<b>C328-28T-131-S</b>	<b>GUARD,SEAL,218/328/428/4410,SS C C+</b>	1
21	<b>GX5079600</b>	<b>CAPSCRW,HX,1/4-20X1/2,18-8SS HX HD</b>	1

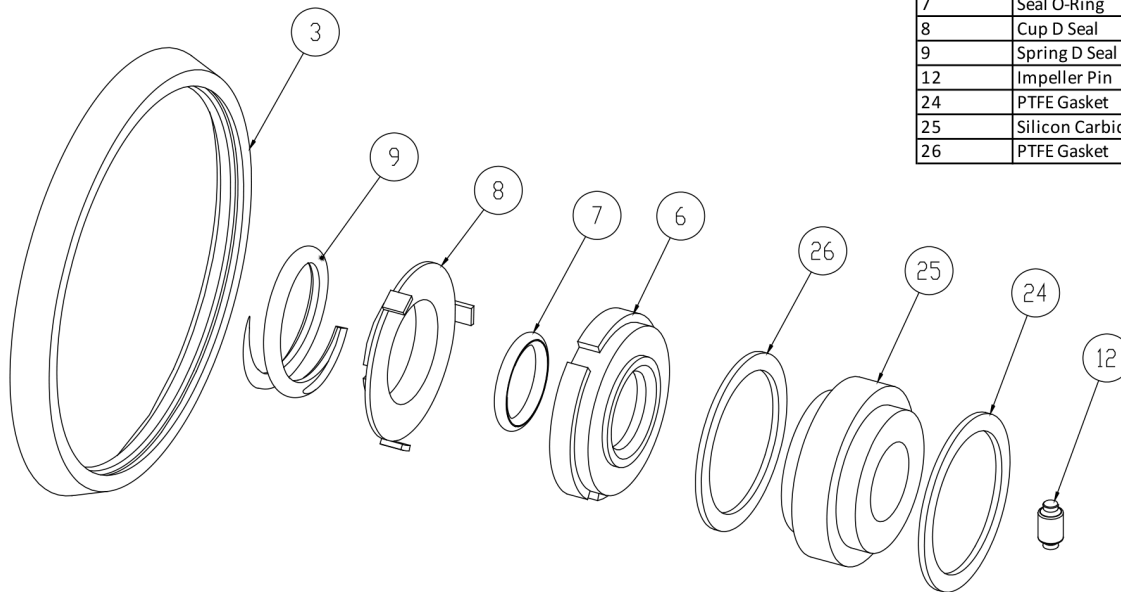




**Exploded View**

*Optional Items Shown in ITALICS*

Ref #	Component Item No.	Description	Qty Per
22	GX5076700	CAPSCRW,HX,5/8-11X1-1/2,18-8SS HX HD	4
24	SP328G-80-12AG	GASKET,218/328,DG,THK,PTFE C C+	1
25	SP328G-80-11SC	SEAT,218/328,DG,SEAL,SILC CARB C C+	1
	<i>SP328G-80-11TC</i>	<i>SEAT,328,DG,SEAL,TUNG CARB C C+</i>	1
	<i>SP328G-80-11CER</i>	<i>SEAT,328,DG,SEAL,CERAMIC C C+</i>	1
26	SP328G-80-12G	GASKET,218/328,DG,THN,PTFE C C+	1
27	SP328G-17-316L	RING,218/328,GLAND,DG C C+	1
28	SC1310H-SS	CAPSCRW,HX,5/16-18X1-1/8,18-8S HX HD	4
29	LWA-1300-SS	WASHER,LOCK,5/16,18-8SS	4

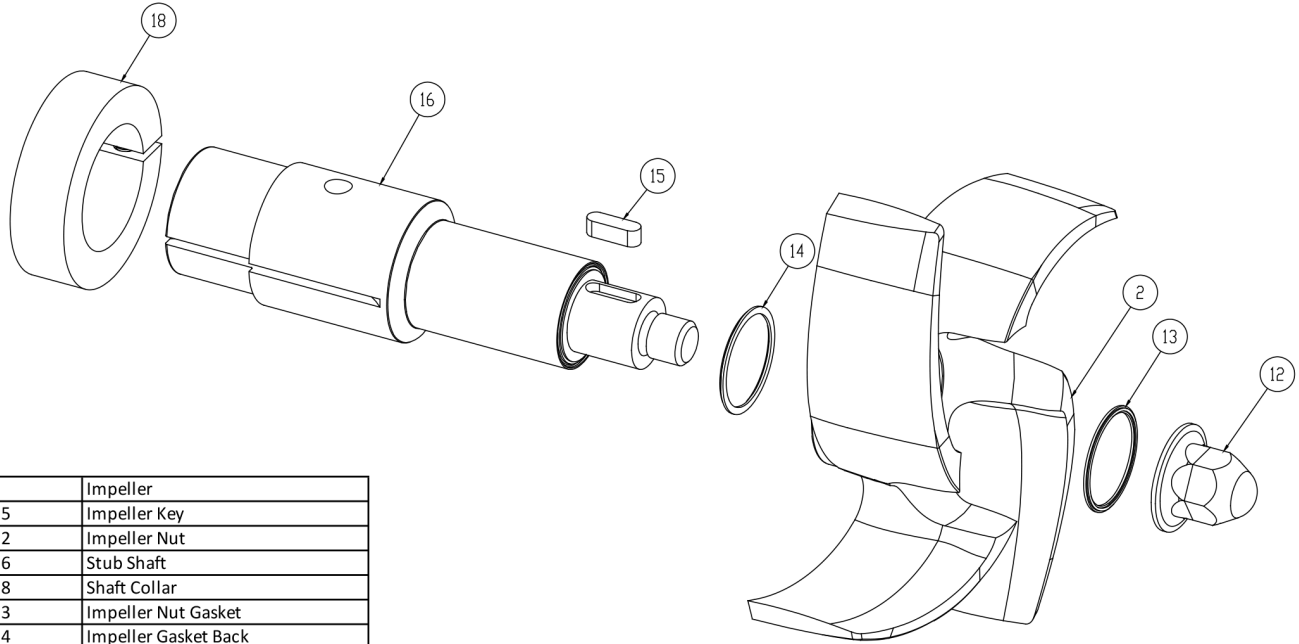


3	Casing Gasket
6	Seal Carbon
7	Seal O-Ring
8	Cup D Seal
9	Spring D Seal
12	Impeller Pin
24	PTFE Gasket
25	Silicon Carbide Seat
26	PTFE Gasket

**Seal Kit DG**

*Optional Items Shown in ITALICS*

Ref #	Component Item No.	Description	Qty Per
1	<b>KITDG-C218-B</b>	<b>KIT,218/328,DG,SEAL,BUNA C</b>	<b>1</b>
	<i>KITDG-C218-E</i>	<i>KIT,218/328,DG SEAL,EPDM C</i>	<i>1</i>
	<i>KITDG-C218-S</i>	<i>KIT,218/328,DG,SEAL,VIT C</i>	<i>1</i>

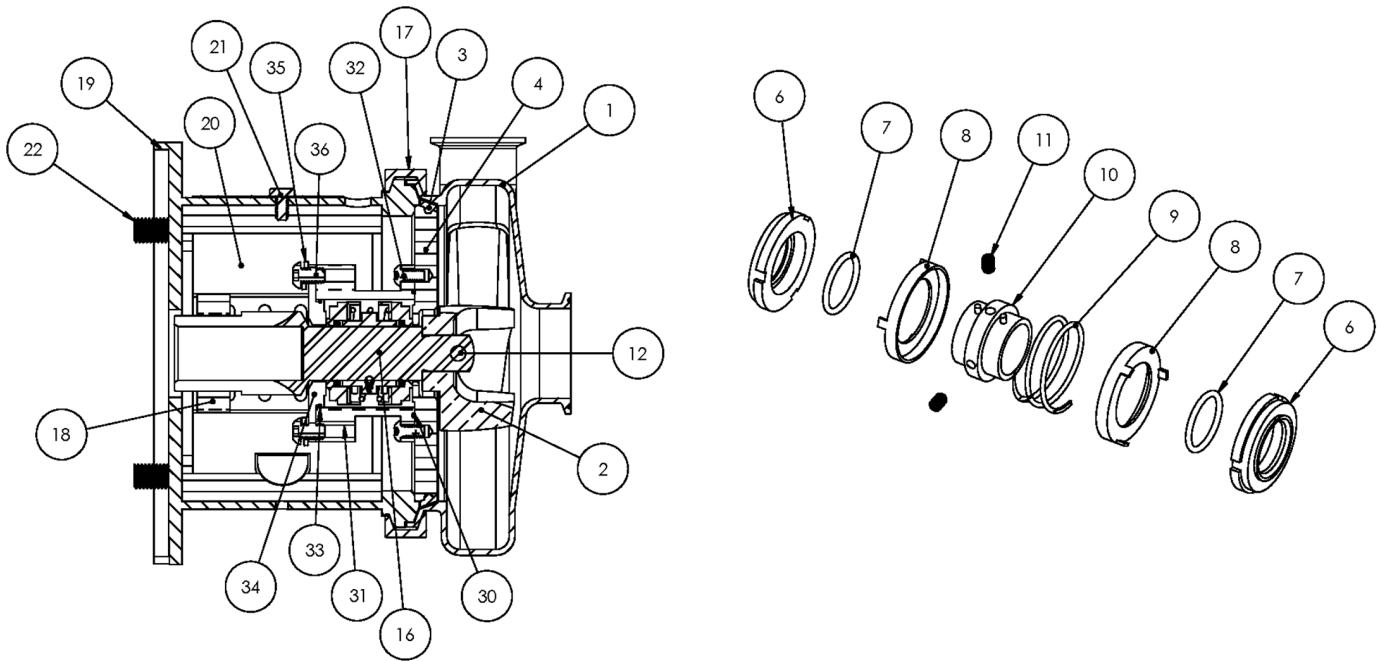


2	Impeller
15	Impeller Key
12	Impeller Nut
16	Stub Shaft
18	Shaft Collar
13	Impeller Nut Gasket
14	Impeller Gasket Back

**AC+ Conversion Kit**

*Optional Items Shown in ITALICS*

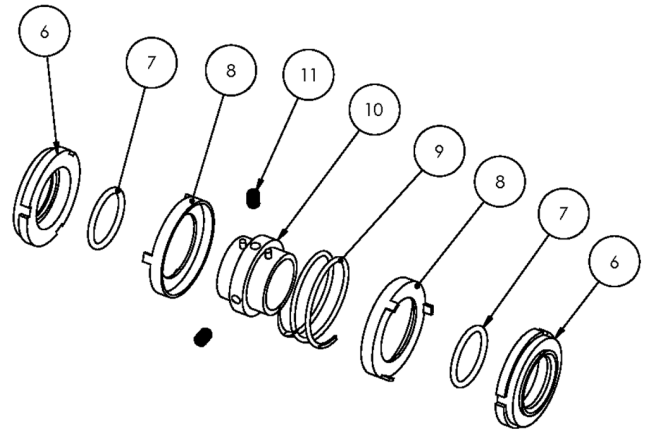
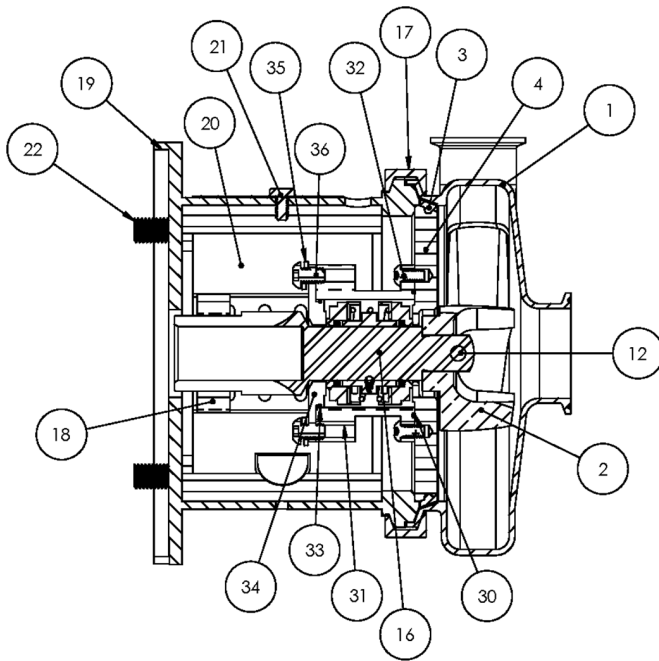
Ref #	Component Item No.	Description	Qty Per
1	<b>C+KIT-328/32TS</b>	<b>KIT,328,320TSC,C+CONVRT,BUNA C</b>	1
	<i>C+KIT-328/32TSE</i>	<i>KIT,328,320TSC,C+CONVRT,EPDM C</i>	1
	<i>C+KIT-328/32TSV</i>	<i>KIT,328,320TSC,C+CONVRT,VIT C</i>	1



**Exploded View**

*Optional Items Shown in ITALICS*

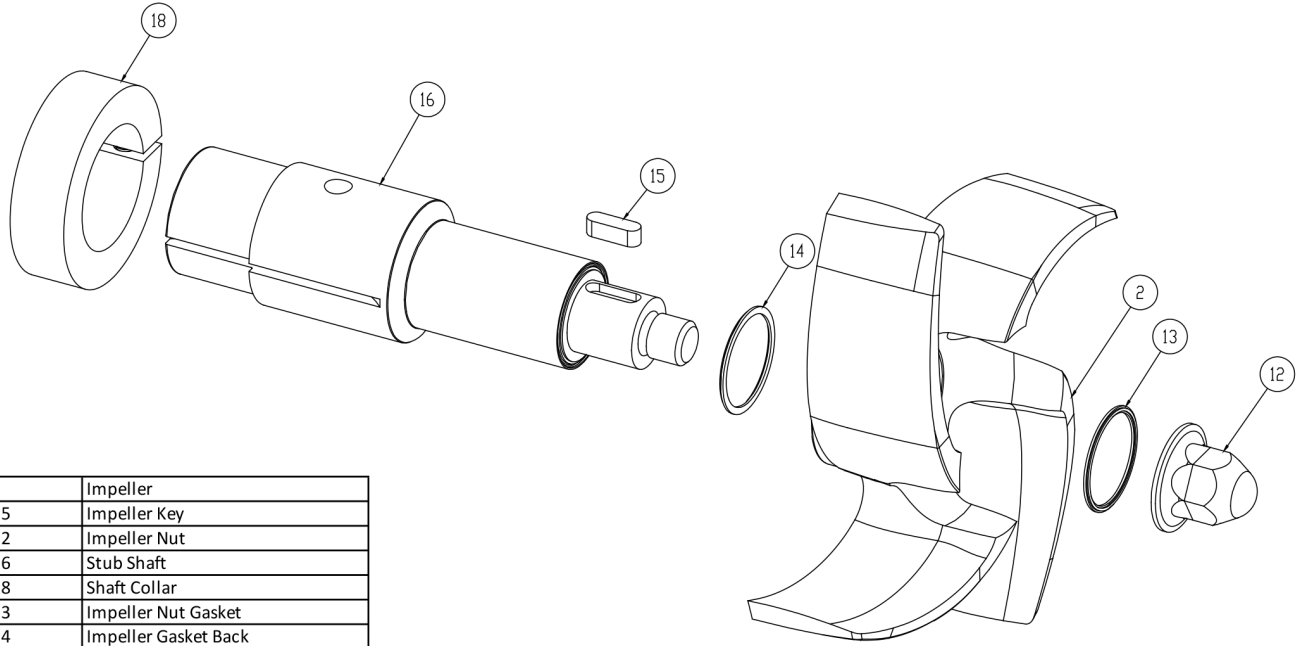
Ref #	Component Item No.	Description	Qty Per
1	<b>S328M-01C</b>	<b>CASING,3X2,TRI-CLMP C328/C+328</b>	1
	<i>S328T-01C</i>	<i>CASING,3X2,BVL SEAT C328/C+328</i>	1
	<i>S328MI-01C</i>	<i>CASING,3X2,CLMP GLASS BEAD C328/C+328</i>	1
	<i>S328S-01C</i>	<i>CASING,3X2,FEMALE NPT C328/C+328</i>	1
	<i>S328F-01D</i>	<i>CASING,3X2,FLNGD C328/C+328</i>	1
2	<b>S328-02C</b>	<b>IMPELLER,328/428 C UNIVERSAL</b>	1
3	<b>S328-90A-U</b>	<b>GASKET,218/328,CASING,BUNA C C+</b>	1
	<i>S328-90A-E</i>	<i>GASKET,218/328,CASING,EPDM C C+</i>	1
	<i>S328-90A-V</i>	<i>GASKET,218/328,CASING,VIT C C+</i>	1
4	<b>328E-11B-316</b>	<b>BACKPLATE,E,218/328 C C+</b>	1
6	<b>328E-80-1A</b>	<b>SEAL,218/328,3218,CARBON C C+</b>	2
7	<b>S328-80-2-U</b>	<b>O-RING,218/328,SEAL,BUNA C C+</b>	2
	<i>S328-80-2-E</i>	<i>O-RING,218/328,SEAL,EPDM,2-222 C C+</i>	2
	<i>S328-80-2-V</i>	<i>O-RING,218/328,SEAL,VIT C C+</i>	2
8	<b>328E-80-3P</b>	<b>CUP,E,218/318/328/428 C C+</b>	2
9	<b>328E-80-4A</b>	<b>SPRING,E,218/318/328/428 C C+</b>	1
10	<b>328E-23-316L</b>	<b>COLLAR,E,218/328/428,DRIVE C C+</b>	1
11	<b>SC1103A-SS</b>	<b>SCREW,SET,1/4-20X1/4 E BALANCED</b>	2
12	<b>328D-24B-316L</b>	<b>RETAINER,IMPLR</b>	1
17	<b>S328-75AR-S</b>	<b>CLAMP,218/328,CASING C C+</b>	1
18	<b>SX18000014</b>	<b>COLLAR,180TC,SHAFT LC</b>	1
19	<b>328D18T-71C-SS</b>	<b>ADAPTER,180TC FRAME,SS C218/C328/C+218/C+328</b>	1
20	<b>C328-18T-131-S</b>	<b>GUARD,SEAL,21/318/328/428,SS C C+ IC+ 180TC</b>	1
21	<b>GX5079600</b>	<b>CAPSCRW,HX,1/4-20X1/2,18-8SS HX HD</b>	1
22	<b>SC1710H-SS</b>	<b>CAPSCRW,HX,1/2-13X1,18-8SS HX HD</b>	4
30	<b>17-153-U</b>	<b>O-RING,218,STUFF BX,BUNA C</b>	1
	<i>17-153-E</i>	<i>O-RING,218,STUFF BX,EPDM C C+</i>	1



**Exploded View**

*Optional Items Shown in ITALICS*

Ref #	Component Item No.	Description	Qty Per
30	17-153-V	O-RING,218,STUFF BX,VIT C C+	1
31	328E-83B-316	STUFFING BOX,E,218/328 C C+	1
32	SC1308H-SS	CAPSCRW,BH,5/16-18 X1/2,18-8SS BUTTON HD	4
33	17-274-U	O-RING,218,FOLLOWER,BUNA C C+	1
	17-274-E	O-RING,218,FOLLOWER,EPDM C C+	1
	17-274-V	O-RING,218,FOLLOWER,VIT C C+	1
34	328E-17-316	FOLLOWER,E,218/328,+218/328 C C+	1
35	LWA-1300-SS	WASHER,LOCK,5/16,18-8SS	4
36	SC1308E-SS	CAPSCRW,BH,5/16-18X3/4,18-8SS BUTTON HD	4

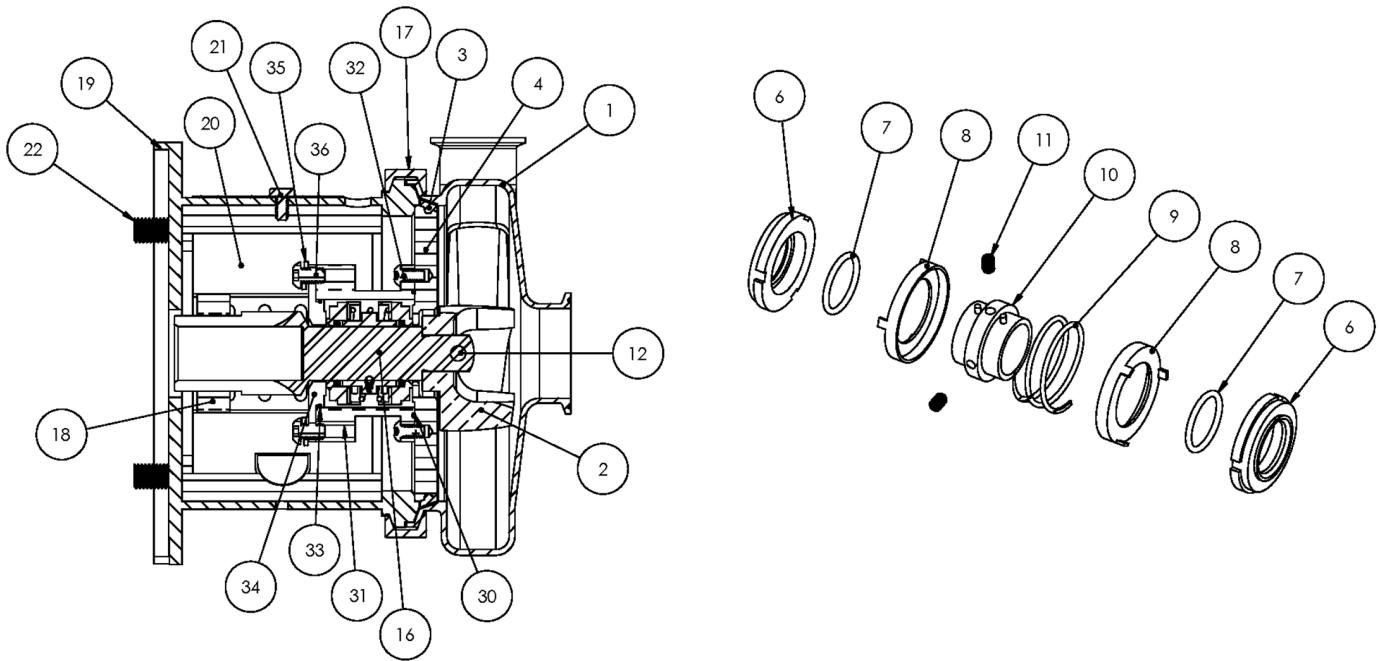


2	Impeller
15	Impeller Key
12	Impeller Nut
16	Stub Shaft
18	Shaft Collar
13	Impeller Nut Gasket
14	Impeller Gasket Back

**AC+ Conversion Kit**

*Optional Items Shown in ITALICS*

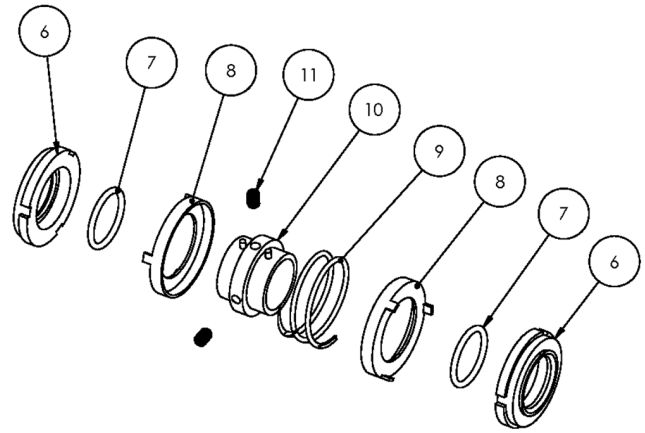
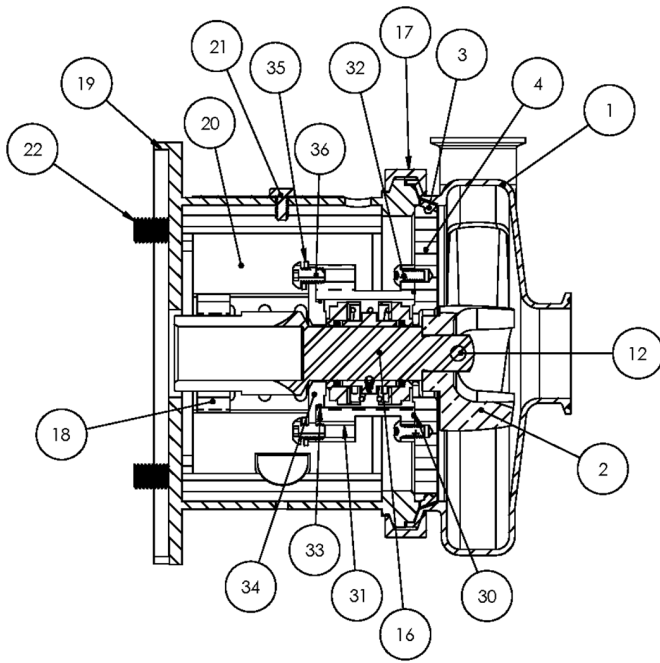
Ref #	Component Item No.	Description	Qty Per
1	<b>C+KIT-328/18</b>	<b>KIT,328,180TC,C+CONVRT,BUNA C</b>	<b>1</b>
	<i>C+KIT-328/18-E</i>	<i>KIT,328,180TC,C+CONVRT,EPDM C</i>	<i>1</i>
	<i>C+KIT-328/18-V</i>	<i>KIT,328,180TC,C+CONVRT,VIT C</i>	<i>1</i>



**Exploded View**

*Optional Items Shown in ITALICS*

Ref #	Component Item No.	Description	Qty Per
1	<b>S328M-01C</b>	<b>CASING,3X2,TRI-CLMP C328/C+328</b>	1
	<i>S328T-01C</i>	<i>CASING,3X2,BVL SEAT C328/C+328</i>	1
	<i>S328MI-01C</i>	<i>CASING,3X2,CLMP GLASS BEAD C328/C+328</i>	1
	<i>S328S-01C</i>	<i>CASING,3X2,FEMALE NPT C328/C+328</i>	1
	<i>S328F-01D</i>	<i>CASING,3X2,FLNGD C328/C+328</i>	1
2	<b>S328-02C</b>	<b>IMPELLER,328/428 C UNIVERSAL</b>	1
3	<b>S328-90A-U</b>	<b>GASKET,218/328,CASING,BUNA C C+</b>	1
	<i>S328-90A-E</i>	<i>GASKET,218/328,CASING,EPDM C C+</i>	1
	<i>S328-90A-V</i>	<i>GASKET,218/328,CASING,VIT C C+</i>	1
4	<b>328E-11B-316</b>	<b>BACKPLATE,E,218/328 C C+</b>	1
6	<b>328E-80-1A</b>	<b>SEAL,218/328,3218,CARBON C C+</b>	2
7	<b>S328-80-2-U</b>	<b>O-RING,218/328,SEAL,BUNA C C+</b>	2
	<i>S328-80-2-E</i>	<i>O-RING,218/328,SEAL,EPDM,2-222 C C+</i>	2
	<i>S328-80-2-V</i>	<i>O-RING,218/328,SEAL,VIT C C+</i>	2
8	<b>328E-80-3P</b>	<b>CUP,E,218/318/328/428 C C+</b>	2
9	<b>328E-80-4A</b>	<b>SPRING,E,218/318/328/428 C C+</b>	1
10	<b>328E-23-316L</b>	<b>COLLAR,E,218/328/428,DRIVE C C+</b>	1
11	<b>SC1103A-SS</b>	<b>SCREW,SET,1/4-20X1/4 E BALANCED</b>	2
12	<b>328D-24B-316L</b>	<b>RETAINER,IMPLR</b>	1
16	<b>CS328E21T-06</b>	<b>STUBSHAFT,210TC,UNIVRSL C218/C328</b>	1
17	<b>S328-75AR-S</b>	<b>CLAMP,218/328,CASING C C+</b>	1
18	<b>SX18000015</b>	<b>COLLAR,210TC,SHAFT LC</b>	1
19	<b>328D21T-71C-SS</b>	<b>ADAPTER,210TC FRAME,SS C218/C328/C+218/C+328</b>	1
20	<b>C328-21T-131-S</b>	<b>GUARD,SEAL,218/318/328/428,SS C C+ CB+ 210TC</b>	1
21	<b>GX5079600</b>	<b>CAPSCRW,HX,1/4-20X1/2,18-8SS HX HD</b>	1
22	<b>SC1710H-SS</b>	<b>CAPSCRW,HX,1/2-13X1,18-8SS HX HD</b>	4
30	<b>17-153-U</b>	<b>O-RING,218,STUFF BX,BUNA C</b>	1

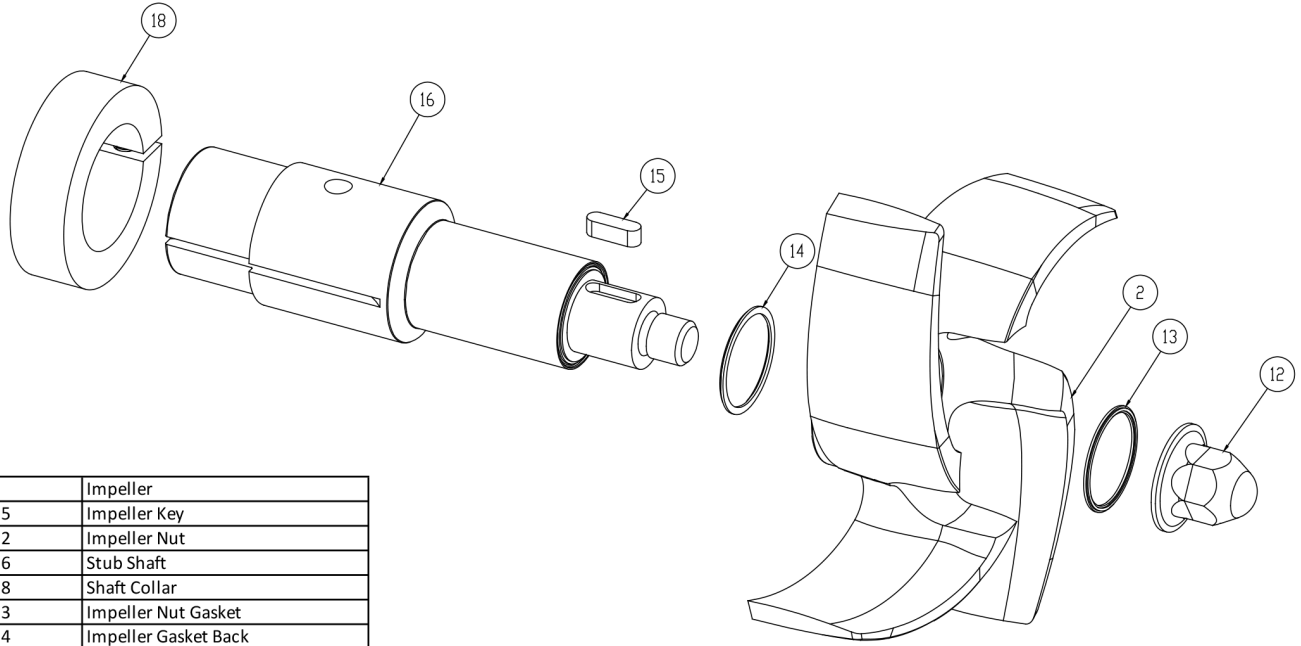


**Exploded View**

*Optional Items Shown in ITALICS*

Ref #	Component Item No.	Description	Qty Per
30	<i>17-153-E</i>	<i>O-RING,218,STUFF BX,EPDM C C+</i>	1
	<i>17-153-V</i>	<i>O-RING,218,STUFF BX,VIT C C+</i>	1
31	<b>328E-83B-316</b>	<b>STUFFING BOX,E,218/328 C C+</b>	1
32	<b>SC1308H-SS</b>	<b>CAPSCRW,BH,5/16-18 X1/2,18-8SS BUTTON HD</b>	4
33	<b>17-274-U</b>	<b>O-RING,218,FOLLOWER,BUNA C C+</b>	1
	<i>17-274-E</i>	<i>O-RING,218,FOLLOWER,EPDM C C+</i>	1
	<i>17-274-V</i>	<i>O-RING,218,FOLLOWER,VIT C C+</i>	1
34	<b>328E-17-316</b>	<b>FOLLOWER,E,218/328,+218/328 C C+</b>	1
35	<b>LWA-1300-SS</b>	<b>WASHER,LOCK,5/16,18-8SS</b>	4
36	<b>SC1308E-SS</b>	<b>CAPSCRW,BH,5/16-18X3/4,18-8SS BUTTON HD</b>	4



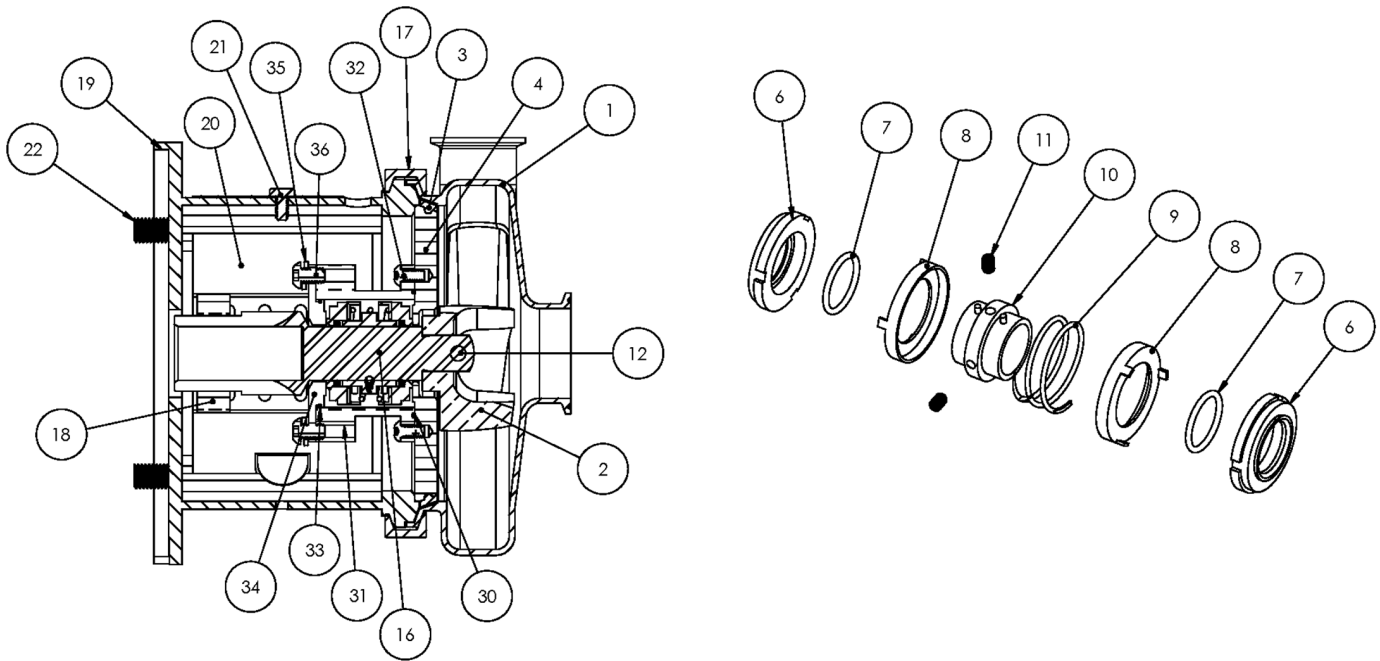


2	Impeller
15	Impeller Key
12	Impeller Nut
16	Stub Shaft
18	Shaft Collar
13	Impeller Nut Gasket
14	Impeller Gasket Back

**AC+ Conversion Kit**

*Optional Items Shown in ITALICS*

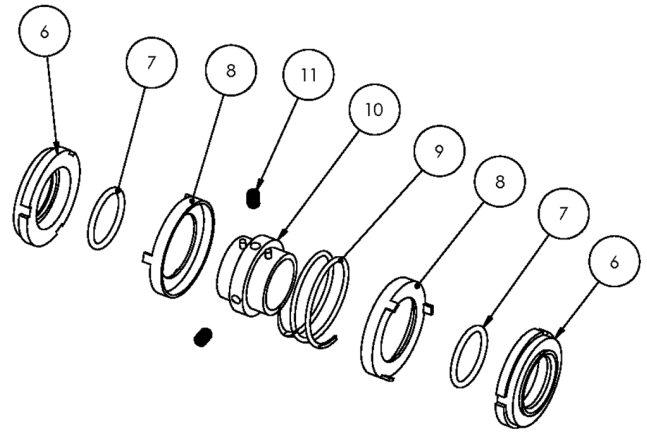
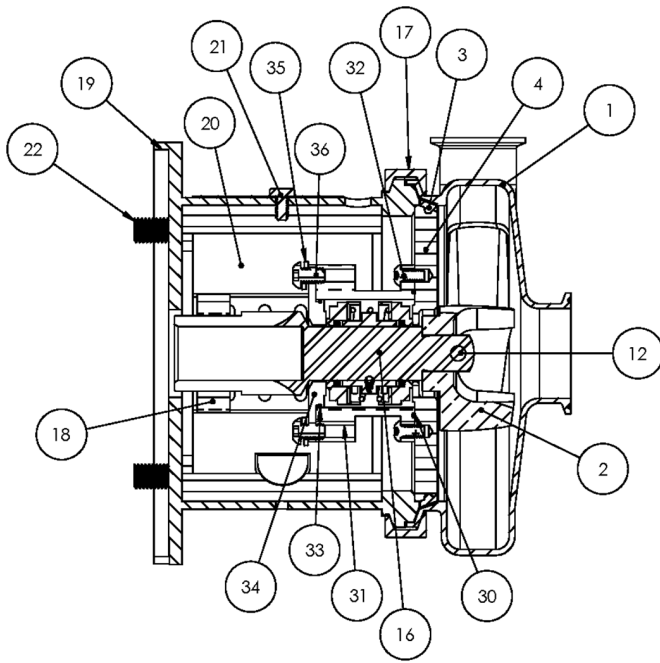
Ref #	Component Item No.	Description	Qty Per
1	<b>C+KIT-328/21</b>	<b>KIT,328,210TC,C+CONVRT,BUNA C</b>	<b>1</b>
	<i>C+KIT-328/21-E</i>	<i>KIT,328,210TC,C+CONVRT,EPDM C</i>	<i>1</i>
	<i>C+KIT-328/21-V</i>	<i>KIT,328,210TC,C+CONVRT,VIT C</i>	<i>1</i>



**Exploded View**

*Optional Items Shown in ITALICS*

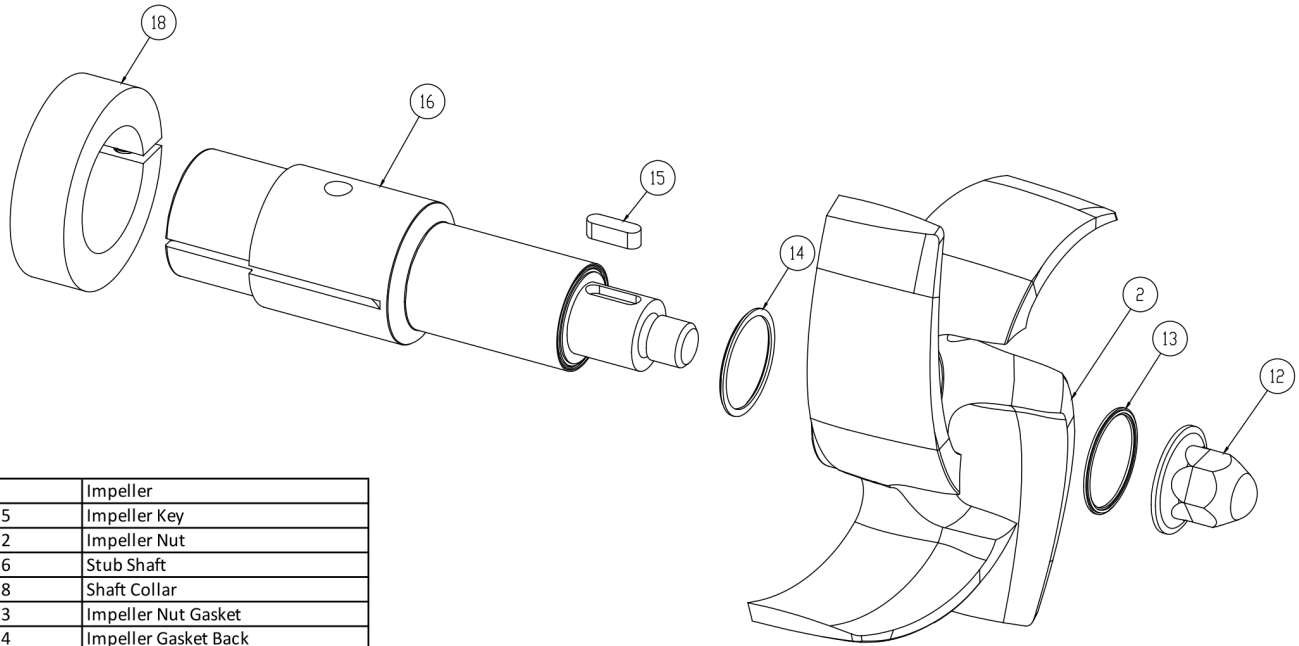
Ref #	Component Item No.	Description	Qty Per
1	<b>S328M-01C</b>	<b>CASING,3X2,TRI-CLMP C328/C+328</b>	1
	<i>S328T-01C</i>	<i>CASING,3X2,BVL SEAT C328/C+328</i>	1
	<i>S328MI-01C</i>	<i>CASING,3X2,CLMP GLASS BEAD C328/C+328</i>	1
	<i>S328S-01C</i>	<i>CASING,3X2,FEMALE NPT C328/C+328</i>	1
	<i>S328F-01D</i>	<i>CASING,3X2,FLNGD C328/C+328</i>	1
2	<b>S328-02C</b>	<b>IMPELLER,328/428 C UNIVERSAL</b>	1
3	<b>S328-90A-U</b>	<b>GASKET,218/328,CASING,BUNA C C+</b>	1
	<i>S328-90A-E</i>	<i>GASKET,218/328,CASING,EPDM C C+</i>	1
	<i>S328-90A-V</i>	<i>GASKET,218/328,CASING,VIT C C+</i>	1
4	<b>328E-11B-316</b>	<b>BACKPLATE,E,218/328 C C+</b>	1
6	<b>328E-80-1A</b>	<b>SEAL,218/328,3218,CARBON C C+</b>	2
7	<b>S328-80-2-U</b>	<b>O-RING,218/328,SEAL,BUNA C C+</b>	2
	<i>S328-80-2-E</i>	<i>O-RING,218/328,SEAL,EPDM,2-222 C C+</i>	2
	<i>S328-80-2-V</i>	<i>O-RING,218/328,SEAL,VIT C C+</i>	2
8	<b>328E-80-3P</b>	<b>CUP,E,218/318/328/428 C C+</b>	2
9	<b>328E-80-4A</b>	<b>SPRING,E,218/318/328/428 C C+</b>	1
10	<b>328E-23-316L</b>	<b>COLLAR,E,218/328/428,DRIVE C C+</b>	1
11	<b>SC1103A-SS</b>	<b>SCREW,SET,1/4-20X1/4 E BALANCED</b>	2
12	<b>328D-24B-316L</b>	<b>RETAINER,IMPLR</b>	1
16	<b>CS328E25T-06</b>	<b>STUBSHAFT,250TC,UNIVRSL C218/C328</b>	1
17	<b>S328-75AR-S</b>	<b>CLAMP,218/328,CASING C C+</b>	1
18	<b>SX18000016</b>	<b>COLLAR,250TC/280TSC,SHAFT LC</b>	1
19	<b>328D25T-71C-SS</b>	<b>ADAPTER,250TC FRAME,SS C218/C328/C+218/C+328</b>	1
20	<b>C328-25T-131-S</b>	<b>GUARD,SEAL,218/328/428,SS C C+ CB+ 250TC</b>	1
21	<b>GX5079600</b>	<b>CAPSCRW,HX,1/4-20X1/2,18-8SS HX HD</b>	1
22	<b>SC1710H-SS</b>	<b>CAPSCRW,HX,1/2-13X1,18-8SS HX HD</b>	4
30	<b>17-153-U</b>	<b>O-RING,218,STUFF BX,BUNA C</b>	1



**Exploded View**

*Optional Items Shown in ITALICS*

Ref #	Component Item No.	Description	Qty Per
30	17-153-E	O-RING,218,STUFF BX,EPDM C C+	1
	17-153-V	O-RING,218,STUFF BX,VIT C C+	1
31	328E-83B-316	STUFFING BOX,E,218/328 C C+	1
32	SC1308H-SS	CAPSCRW,BH,5/16-18 X1/2,18-8SS BUTTON HD	4
33	17-274-U	O-RING,218,FOLLOWER,BUNA C C+	1
	17-274-E	O-RING,218,FOLLOWER,EPDM C C+	1
	17-274-V	O-RING,218,FOLLOWER,VIT C C+	1
34	328E-17-316	FOLLOWER,E,218/328,+218/328 C C+	1
35	LWA-1300-SS	WASHER,LOCK,5/16,18-8SS	4
36	SC1308E-SS	CAPSCRW,BH,5/16-18X3/4,18-8SS BUTTON HD	4

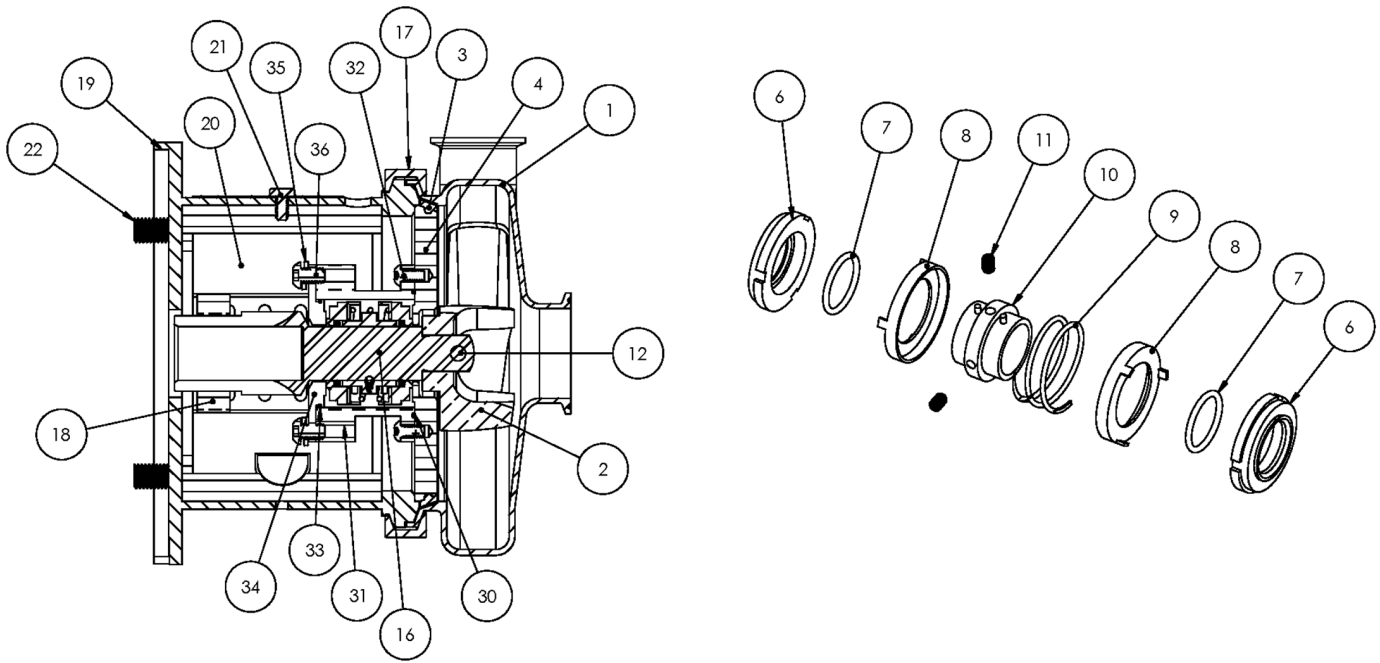


2	Impeller
15	Impeller Key
12	Impeller Nut
16	Stub Shaft
18	Shaft Collar
13	Impeller Nut Gasket
14	Impeller Gasket Back

**AC+ Conversion Kit**

*Optional Items Shown in ITALICS*

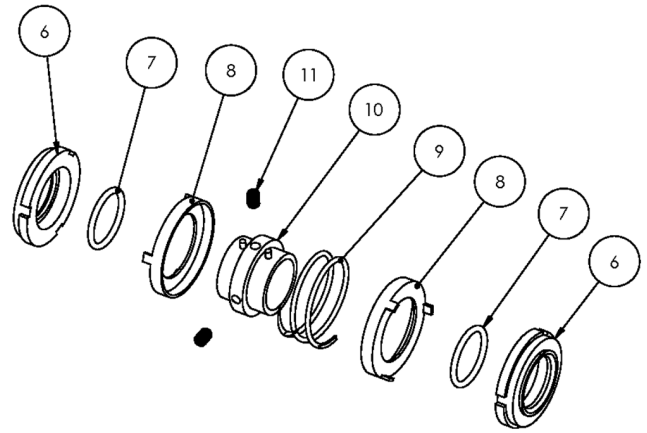
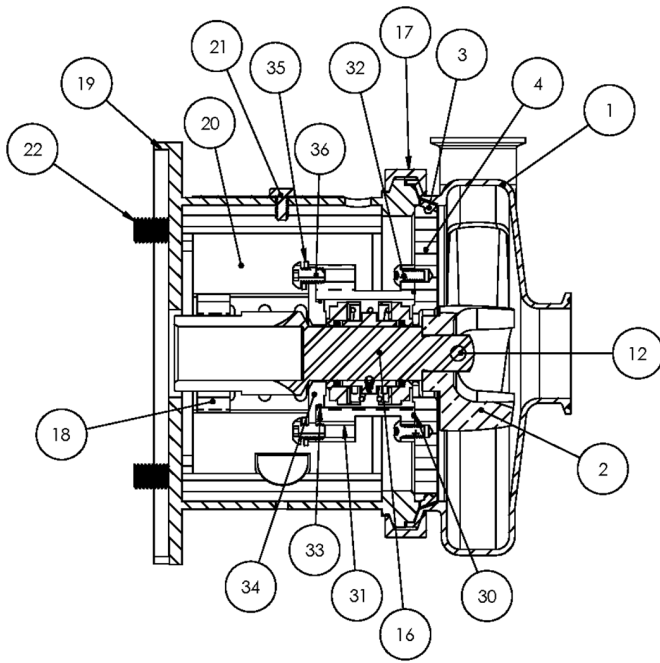
Ref #	Component Item No.	Description	Qty Per
1	<b>C+KIT-328/25</b>	<b>KIT,328,250TC,C+CONVRT,BUNA C</b>	<b>1</b>
	<i>C+KIT-328/25-E</i>	<i>KIT,328,250TC,C+CONVRT,EPDM C</i>	<i>1</i>
	<i>C+KIT-328/25-V</i>	<i>KIT,328,250TC,C+CONVRT,VIT C</i>	<i>1</i>



**Exploded View**

*Optional Items Shown in ITALICS*

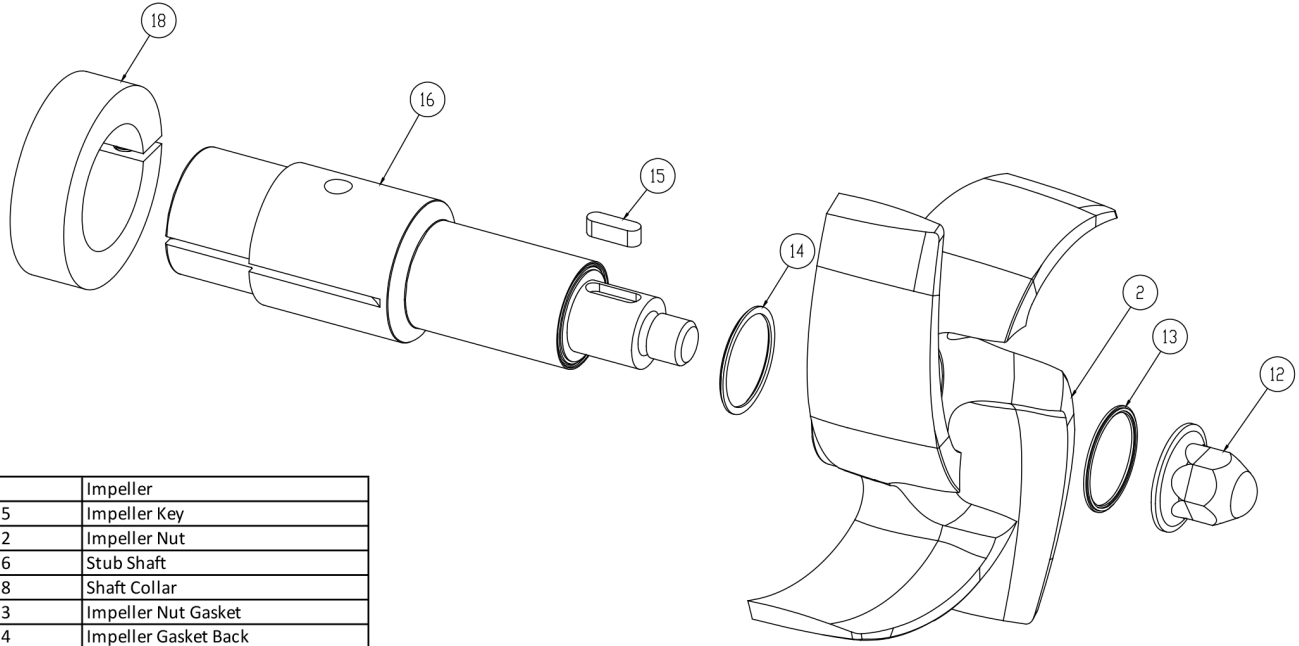
Ref #	Component Item No.	Description	Qty Per
1	<b>S328M-01C</b>	<b>CASING,3X2,TRI-CLMP C328/C+328</b>	1
	<i>S328T-01C</i>	<i>CASING,3X2,BVL SEAT C328/C+328</i>	1
	<i>S328MI-01C</i>	<i>CASING,3X2,CLMP GLASS BEAD C328/C+328</i>	1
	<i>S328S-01C</i>	<i>CASING,3X2,FEMALE NPT C328/C+328</i>	1
	<i>S328F-01D</i>	<i>CASING,3X2,FLNGD C328/C+328</i>	1
2	<b>S328-02C</b>	<b>IMPELLER,328/428 C UNIVERSAL</b>	1
3	<b>S328-90A-U</b>	<b>GASKET,218/328,CASING,BUNA C C+</b>	1
	<i>S328-90A-E</i>	<i>GASKET,218/328,CASING,EPDM C C+</i>	1
	<i>S328-90A-V</i>	<i>GASKET,218/328,CASING,VIT C C+</i>	1
4	<b>328E-11B-316</b>	<b>BACKPLATE,E,218/328 C C+</b>	1
6	<b>328E-80-1A</b>	<b>SEAL,218/328,3218,CARBON C C+</b>	2
7	<b>S328-80-2-U</b>	<b>O-RING,218/328,SEAL,BUNA C C+</b>	2
	<i>S328-80-2-E</i>	<i>O-RING,218/328,SEAL,EPDM,2-222 C C+</i>	2
	<i>S328-80-2-V</i>	<i>O-RING,218/328,SEAL,VIT C C+</i>	2
8	<b>328E-80-3P</b>	<b>CUP,E,218/318/328/428 C C+</b>	2
9	<b>328E-80-4A</b>	<b>SPRING,E,218/318/328/428 C C+</b>	1
10	<b>328E-23-316L</b>	<b>COLLAR,E,218/328/428,DRIVE C C+</b>	1
11	<b>SC1103A-SS</b>	<b>SCREW,SET,1/4-20X1/4 E BALANCED</b>	2
12	<b>328D-24B-316L</b>	<b>RETAINER,IMPLR</b>	1
16	<b>CS328E28T-06</b>	<b>STUBSHAFT,280TC,UNIVRSL C218/C328</b>	1
17	<b>S328-75AR-S</b>	<b>CLAMP,218/328,CASING C C+</b>	1
18	<b>SX18000027</b>	<b>COLLAR,280TC/320TSC,SHAFT LC</b>	1
19	<b>328D28T-71C-SS</b>	<b>ADAPTER,280TC/TSC FRAME,SS C218/C328/C+218/C+328</b>	1
20	<b>C328-28T-131-S</b>	<b>GUARD,SEAL,218/328/428/4410,SS C C+</b>	1
21	<b>GX5079600</b>	<b>CAPSCRW,HX,1/4-20X1/2,18-8SS HX HD</b>	1
22	<b>SC1710H-SS</b>	<b>CAPSCRW,HX,1/2-13X1,18-8SS HX HD</b>	4
30	<b>17-153-U</b>	<b>O-RING,218,STUFF BX,BUNA C</b>	1



**Exploded View**

*Optional Items Shown in ITALICS*

Ref #	Component Item No.	Description	Qty Per
30	<i>17-153-E</i>	<i>O-RING,218,STUFF BX,EPDM C C+</i>	1
	<i>17-153-V</i>	<i>O-RING,218,STUFF BX,VIT C C+</i>	1
31	<b>328E-83B-316</b>	<b>STUFFING BOX,E,218/328 C C+</b>	1
32	<b>SC1308H-SS</b>	<b>CAPSCRW,BH,5/16-18 X1/2,18-8SS BUTTON HD</b>	4
33	<b>17-274-U</b>	<b>O-RING,218,FOLLOWER,BUNA C C+</b>	1
	<i>17-274-E</i>	<i>O-RING,218,FOLLOWER,EPDM C C+</i>	1
	<i>17-274-V</i>	<i>O-RING,218,FOLLOWER,VIT C C+</i>	1
34	<b>328E-17-316</b>	<b>FOLLOWER,E,218/328,+218/328 C C+</b>	1
35	<b>LWA-1300-SS</b>	<b>WASHER,LOCK,5/16,18-8SS</b>	4
36	<b>SC1308E-SS</b>	<b>CAPSCRW,BH,5/16-18X3/4,18-8SS BUTTON HD</b>	4

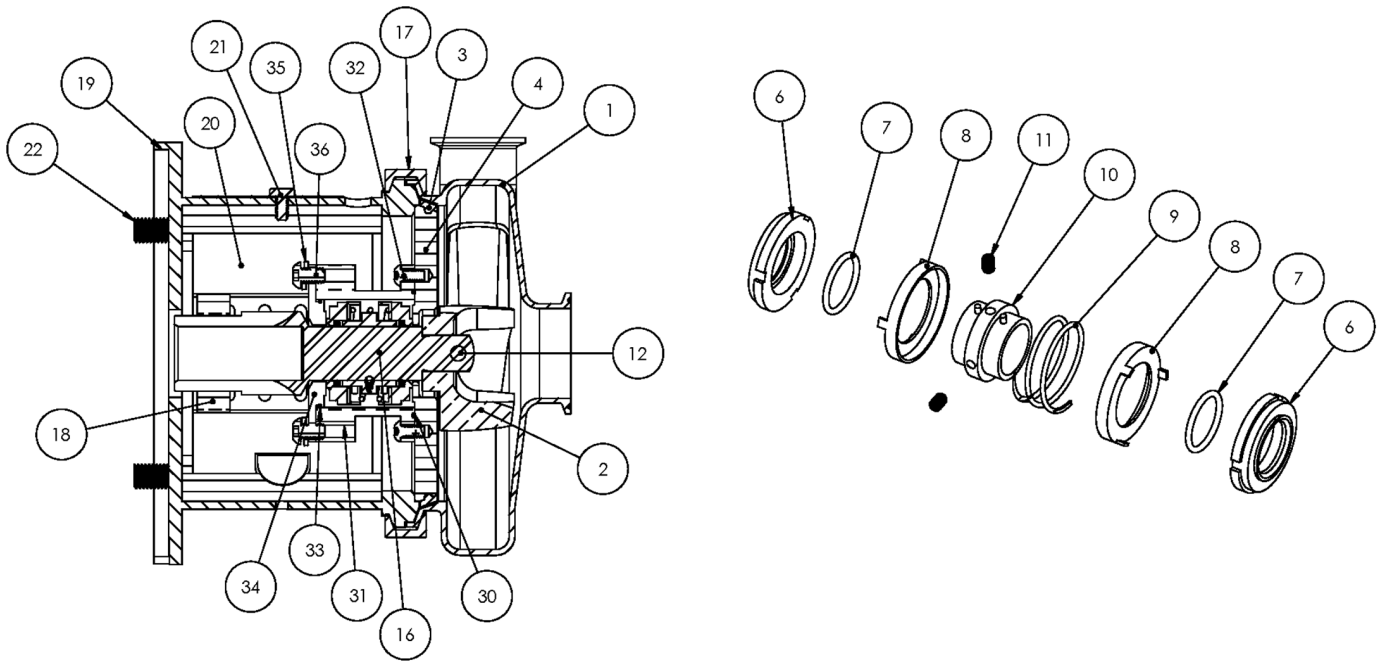


2	Impeller
15	Impeller Key
12	Impeller Nut
16	Stub Shaft
18	Shaft Collar
13	Impeller Nut Gasket
14	Impeller Gasket Back

**AC+ Conversion Kit**

*Optional Items Shown in ITALICS*

Ref #	Component Item No.	Description	Qty Per
1	<b>C+KIT-328/28</b>	<b>KIT,328,280TC,C+CONVRT,BUNA C</b>	<b>1</b>
	<i>C+KIT-328/28-E</i>	<i>KIT,328,280TC,C+CONVRT,EPDM C</i>	<i>1</i>
	<i>C+KIT-328/28-V</i>	<i>KIT,328,280TC,C+CONVRT,VIT C</i>	<i>1</i>

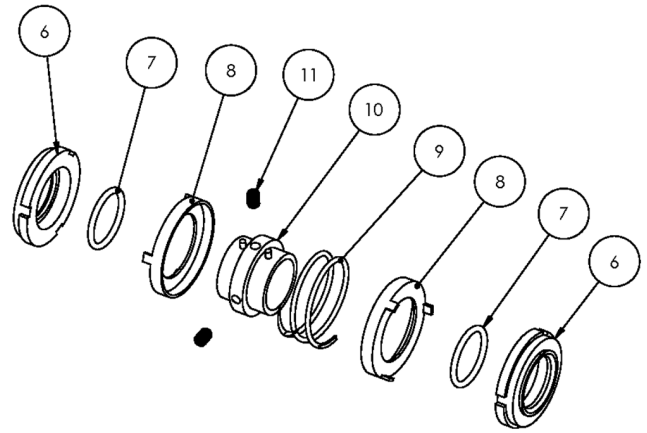
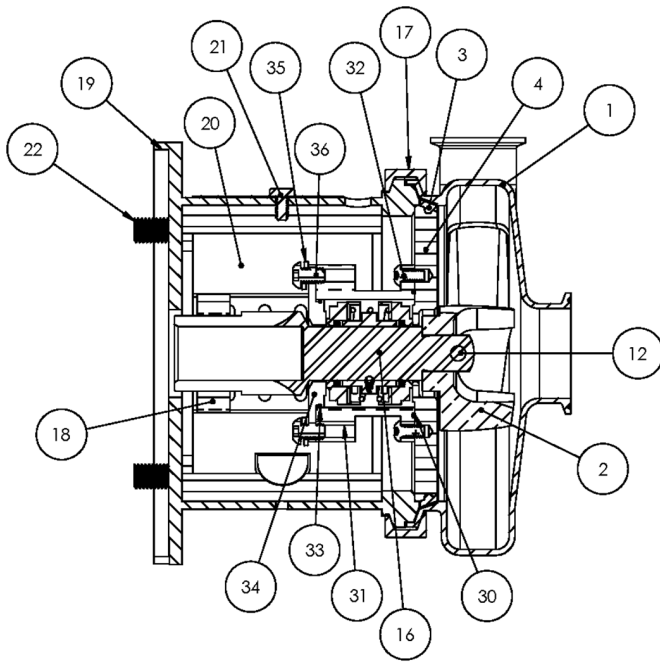


**Exploded View**

*Optional Items Shown in ITALICS*

Ref #	Component Item No.	Description	Qty Per
1	<b>S328M-01C</b>	<b>CASING,3X2,TRI-CLMP C328/C+328</b>	1
	<i>S328T-01C</i>	<i>CASING,3X2,BVL SEAT C328/C+328</i>	1
	<i>S328MI-01C</i>	<i>CASING,3X2,CLMP GLASS BEAD C328/C+328</i>	1
	<i>S328S-01C</i>	<i>CASING,3X2,FEMALE NPT C328/C+328</i>	1
	<i>S328F-01D</i>	<i>CASING,3X2,FLNGD C328/C+328</i>	1
2	<b>S328-02C</b>	<b>IMPELLER,328/428 C UNIVERSAL</b>	1
3	<b>S328-90A-U</b>	<b>GASKET,218/328,CASING,BUNA C C+</b>	1
	<i>S328-90A-E</i>	<i>GASKET,218/328,CASING,EPDM C C+</i>	1
	<i>S328-90A-V</i>	<i>GASKET,218/328,CASING,VIT C C+</i>	1
4	<b>328E-11B-316</b>	<b>BACKPLATE,E,218/328 C C+</b>	1
6	<b>328E-80-1A</b>	<b>SEAL,218/328,3218,CARBON C C+</b>	2
7	<b>S328-80-2-U</b>	<b>O-RING,218/328,SEAL,BUNA C C+</b>	2
	<i>S328-80-2-E</i>	<i>O-RING,218/328,SEAL,EPDM,2-222 C C+</i>	2
	<i>S328-80-2-V</i>	<i>O-RING,218/328,SEAL,VIT C C+</i>	2
8	<b>328E-80-3P</b>	<b>CUP,E,218/318/328/428 C C+</b>	2
9	<b>328E-80-4A</b>	<b>SPRING,E,218/318/328/428 C C+</b>	1
10	<b>328E-23-316L</b>	<b>COLLAR,E,218/328/428,DRIVE C C+</b>	1
11	<b>SC1103A-SS</b>	<b>SCREW,SET,1/4-20X1/4 E BALANCED</b>	2
12	<b>328D-24B-316L</b>	<b>RETAINER,IMPLR</b>	1
16	<b>CS328E28TS-06</b>	<b>STUBSHAFT,280TSC,UNIVRSL C218/C328</b>	1
17	<b>S328-75AR-S</b>	<b>CLAMP,218/328,CASING C C+</b>	1
18	<b>SX18000035</b>	<b>COLLAR,250TC/280TSC,SHAFT LC</b>	1
19	<b>328D28T-71C-SS</b>	<b>ADAPTER,280TC/TSC FRAME,SS C218/C328/C+218/C+328</b>	1
20	<b>C328-28T-131-S</b>	<b>GUARD,SEAL,218/328/428/4410,SS C C+</b>	1
21	<b>GX5079600</b>	<b>CAPSCRW,HX,1/4-20X1/2,18-8SS HX HD</b>	1
22	<b>SC1710H-SS</b>	<b>CAPSCRW,HX,1/2-13X1,18-8SS HX HD</b>	4
30	<b>17-153-U</b>	<b>O-RING,218,STUFF BX,BUNA C</b>	1

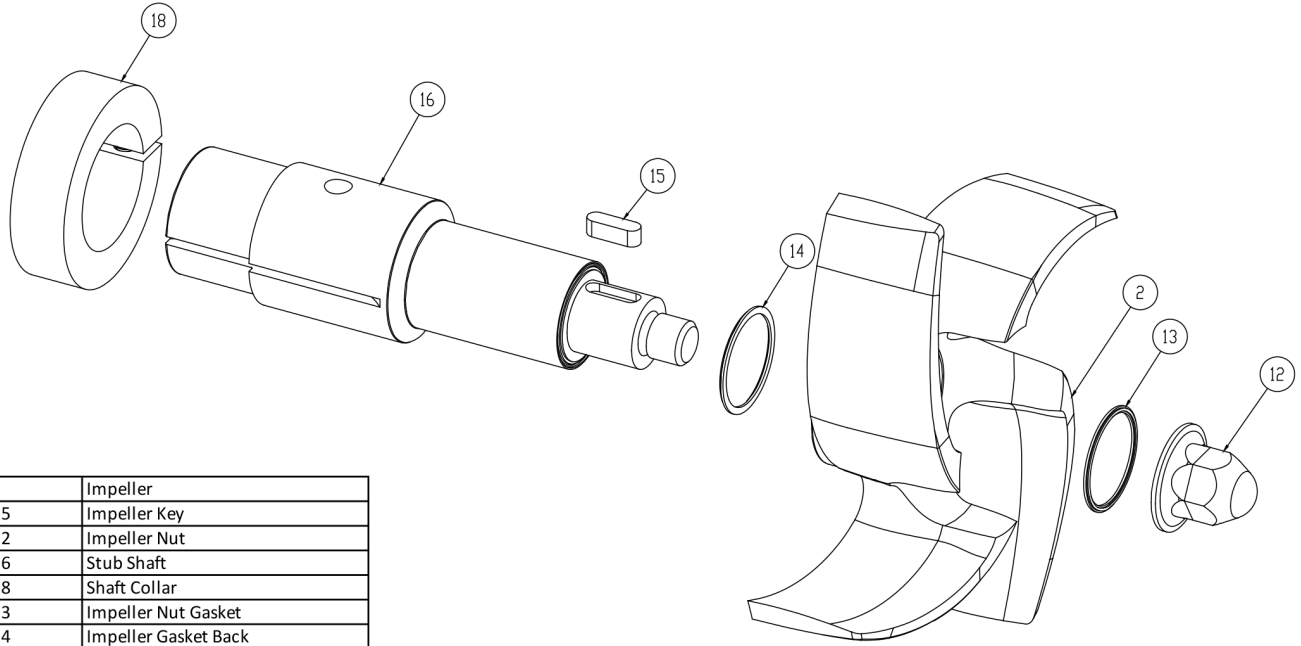




**Exploded View**

*Optional Items Shown in ITALICS*

Ref #	Component Item No.	Description	Qty Per
30	17-153-E	O-RING,218,STUFF BX,EPDM C C+	1
	17-153-V	O-RING,218,STUFF BX,VIT C C+	1
31	328E-83B-316	STUFFING BOX,E,218/328 C C+	1
32	SC1308H-SS	CAPSCRW,BH,5/16-18 X1/2,18-8SS BUTTON HD	4
33	17-274-U	O-RING,218,FOLLOWER,BUNA C C+	1
	17-274-E	O-RING,218,FOLLOWER,EPDM C C+	1
	17-274-V	O-RING,218,FOLLOWER,VIT C C+	1
34	328E-17-316	FOLLOWER,E,218/328,+218/328 C C+	1
35	LWA-1300-SS	WASHER,LOCK,5/16,18-8SS	4
36	SC1308E-SS	CAPSCRW,BH,5/16-18X3/4,18-8SS BUTTON HD	4

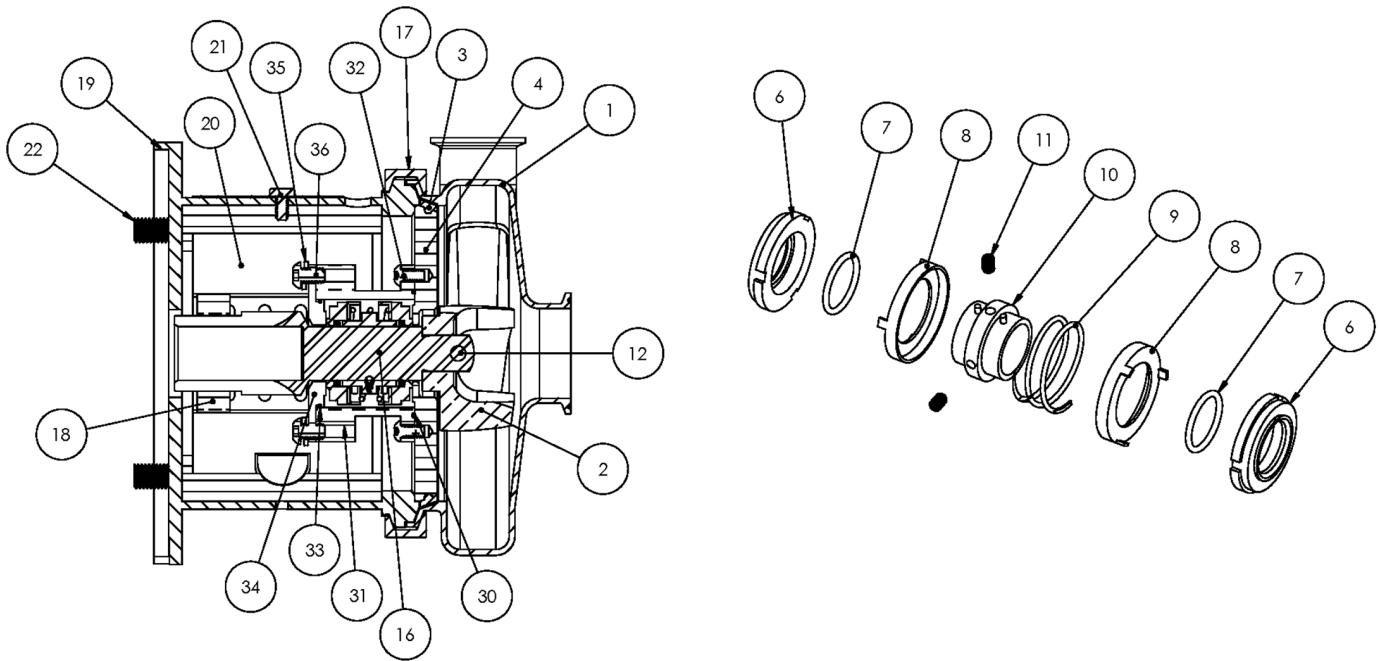


2	Impeller
15	Impeller Key
12	Impeller Nut
16	Stub Shaft
18	Shaft Collar
13	Impeller Nut Gasket
14	Impeller Gasket Back

**AC+ Conversion Kit**

*Optional Items Shown in ITALICS*

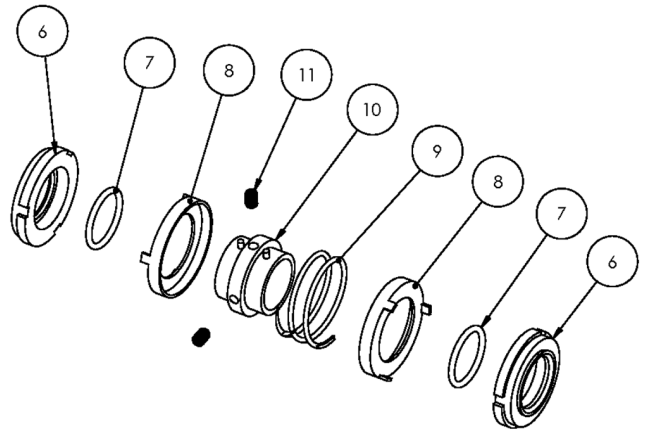
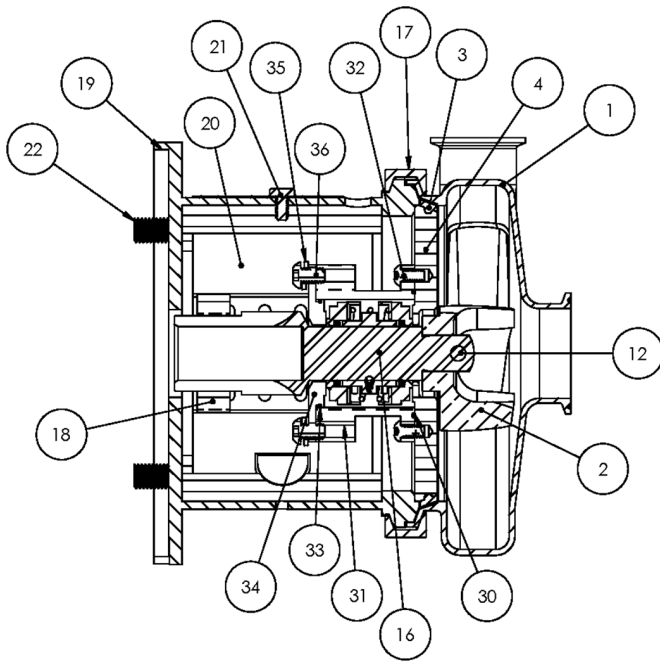
Ref #	Component Item No.	Description	Qty Per
1	<b>C+KIT-328/28TS</b>	<b>KIT,328,280TSC,C+CONVRT,BUNA C</b>	<b>1</b>
	<i>C+KIT-328/28TSE</i>	<i>KIT,328,280TSC,C+CONVRT,EPDM C</i>	<i>1</i>
	<i>C+KIT-328/28TSV</i>	<i>KIT,328,280TSC,C+CONVRT,VIT C</i>	<i>1</i>



**Exploded View**

*Optional Items Shown in ITALICS*

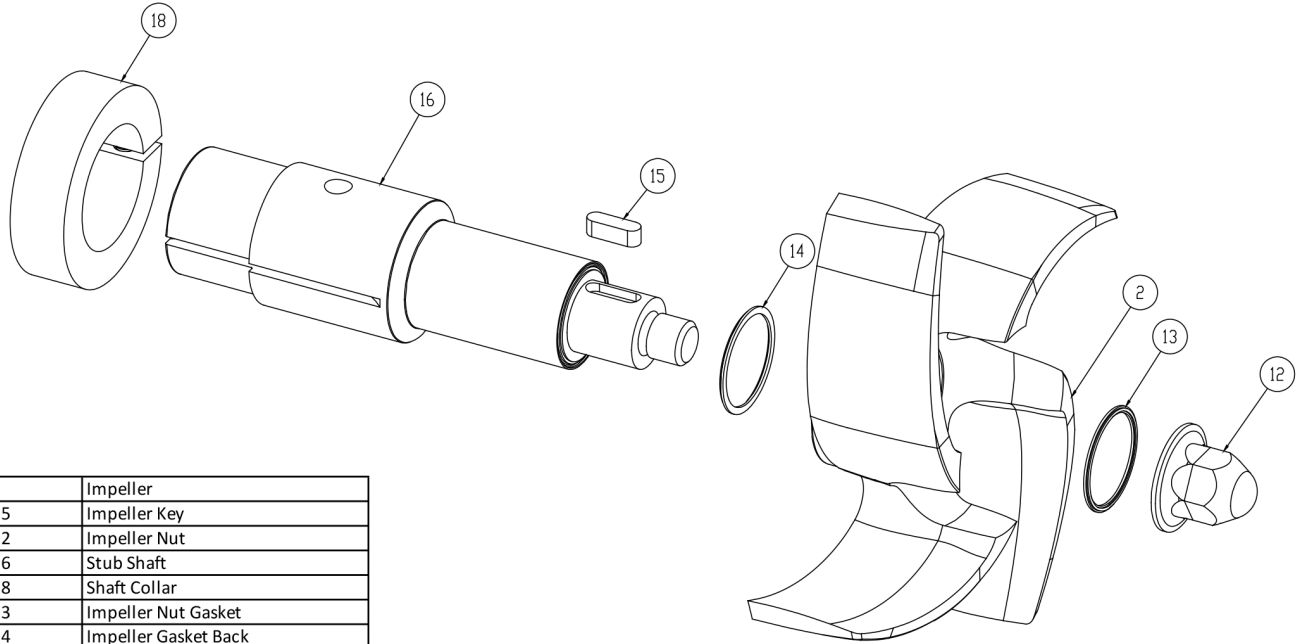
Ref #	Component Item No.	Description	Qty Per
1	<b>S328M-01C</b>	<b>CASING,3X2,TRI-CLMP C328/C+328</b>	1
	<i>S328T-01C</i>	<i>CASING,3X2,BVL SEAT C328/C+328</i>	1
	<i>S328MI-01C</i>	<i>CASING,3X2,CLMP GLASS BEAD C328/C+328</i>	1
	<i>S328S-01C</i>	<i>CASING,3X2,FEMALE NPT C328/C+328</i>	1
	<i>S328F-01D</i>	<i>CASING,3X2,FLNGD C328/C+328</i>	1
2	<b>S328-02C</b>	<b>IMPELLER,328/428 C UNIVERSAL</b>	1
3	<b>S328-90A-U</b>	<b>GASKET,218/328,CASING,BUNA C C+</b>	1
	<i>S328-90A-E</i>	<i>GASKET,218/328,CASING,EPDM C C+</i>	1
	<i>S328-90A-V</i>	<i>GASKET,218/328,CASING,VIT C C+</i>	1
4	<b>328E-11B-316</b>	<b>BACKPLATE,E,218/328 C C+</b>	1
6	<b>328E-80-1A</b>	<b>SEAL,218/328,3218,CARBON C C+</b>	2
7	<b>S328-80-2-U</b>	<b>O-RING,218/328,SEAL,BUNA C C+</b>	2
	<i>S328-80-2-E</i>	<i>O-RING,218/328,SEAL,EPDM,2-222 C C+</i>	2
	<i>S328-80-2-V</i>	<i>O-RING,218/328,SEAL,VIT C C+</i>	2
8	<b>328E-80-3P</b>	<b>CUP,E,218/318/328/428 C C+</b>	2
9	<b>328E-80-4A</b>	<b>SPRING,E,218/318/328/428 C C+</b>	1
10	<b>328E-23-316L</b>	<b>COLLAR,E,218/328/428,DRIVE C C+</b>	1
11	<b>SC1103A-SS</b>	<b>SCREW,SET,1/4-20X1/4 E BALANCED</b>	2
12	<b>328D-24B-316L</b>	<b>RETAINER,IMPLR</b>	1
16	<b>CS328E32T-06</b>	<b>STUBSHAFT,320TC,UNIVRSL C218/C328</b>	1
17	<b>S328-75AR-S</b>	<b>CLAMP,218/328,CASING C C+</b>	1
18	<b>SX18000028</b>	<b>COLLAR,320TC,SHAFT LCX</b>	1
19	<b>328D32T-71C-SS</b>	<b>ADAPTER,320TC FRAME,SS C218/C328/C+218/C+328</b>	1
20	<b>C328-28T-131-S</b>	<b>GUARD,SEAL,218/328/428/4410,SS C C+</b>	1
21	<b>GX5079600</b>	<b>CAPSCRW,HX,1/4-20X1/2,18-8SS HX HD</b>	1
22	<b>GX5076700</b>	<b>CAPSCRW,HX,5/8-11X1-1/2,18-8SS HX HD</b>	4
30	<b>17-153-U</b>	<b>O-RING,218,STUFF BX,BUNA C</b>	1



**Exploded View**

*Optional Items Shown in ITALICS*

Ref #	Component Item No.	Description	Qty Per
30	<i>17-153-E</i>	<i>O-RING,218,STUFF BX,EPDM C C+</i>	1
	<i>17-153-V</i>	<i>O-RING,218,STUFF BX,VIT C C+</i>	1
31	<b>328E-83B-316</b>	<b>STUFFING BOX,E,218/328 C C+</b>	1
32	<b>SC1308H-SS</b>	<b>CAPSCRW,BH,5/16-18 X1/2,18-8SS BUTTON HD</b>	4
33	<b>17-274-U</b>	<b>O-RING,218,FOLLOWER,BUNA C C+</b>	1
	<i>17-274-E</i>	<i>O-RING,218,FOLLOWER,EPDM C C+</i>	1
	<i>17-274-V</i>	<i>O-RING,218,FOLLOWER,VIT C C+</i>	1
34	<b>328E-17-316</b>	<b>FOLLOWER,E,218/328,+218/328 C C+</b>	1
35	<b>LWA-1300-SS</b>	<b>WASHER,LOCK,5/16,18-8SS</b>	4
36	<b>SC1308E-SS</b>	<b>CAPSCRW,BH,5/16-18X3/4,18-8SS BUTTON HD</b>	4

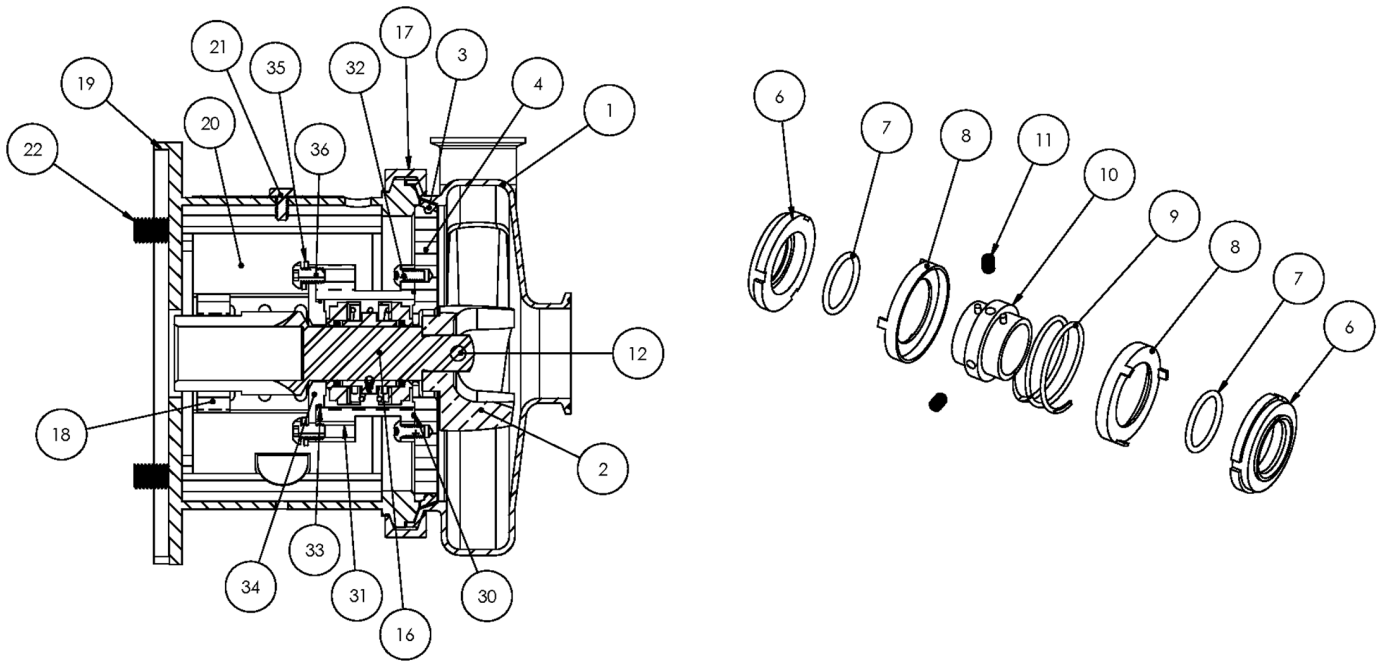


2	Impeller
15	Impeller Key
12	Impeller Nut
16	Stub Shaft
18	Shaft Collar
13	Impeller Nut Gasket
14	Impeller Gasket Back

**AC+ Conversion Kit**

*Optional Items Shown in ITALICS*

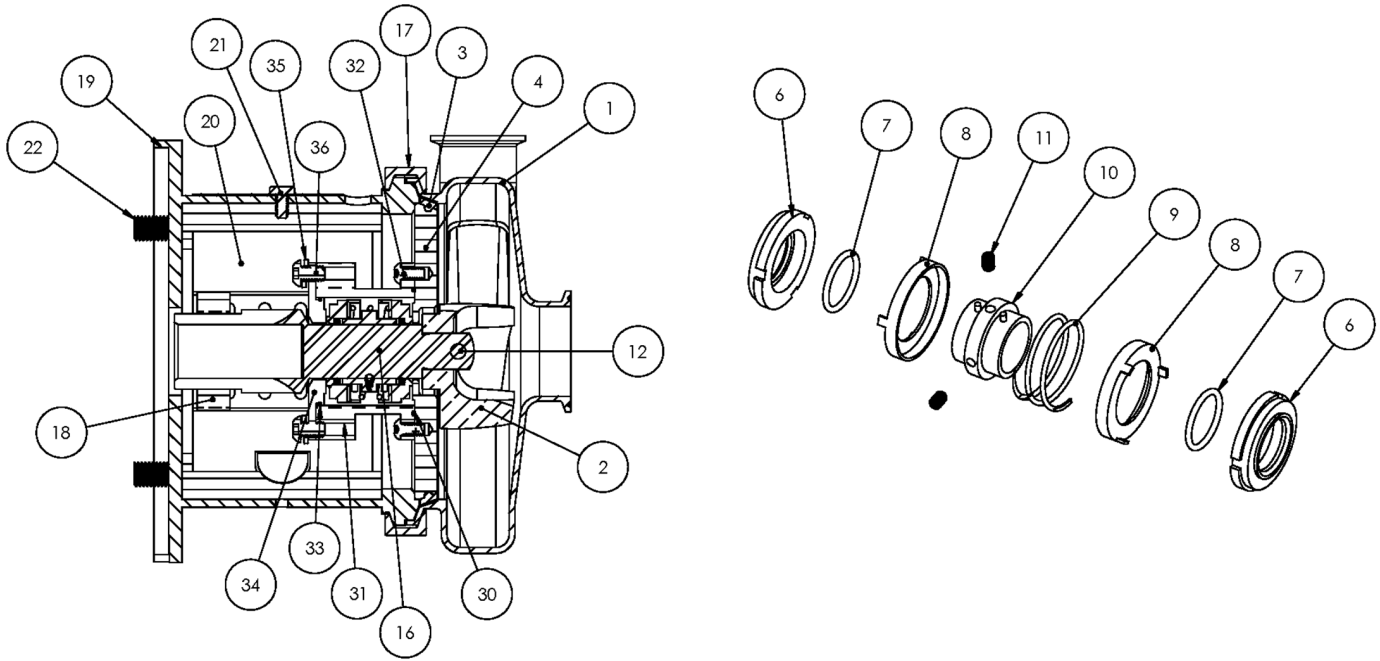
Ref #	Component Item No.	Description	Qty Per
1	<b>C+KIT-328/32</b>	<b>KIT,328,320TC,C+CONVRT,BUNA C</b>	<b>1</b>
	<i>C+KIT-328/32-E</i>	<i>KIT,328,320TC,C+CONVRT,EPDM C</i>	<i>1</i>
	<i>C+KIT-328/32-V</i>	<i>KIT,328,320TC,C+CONVRT,VIT C</i>	<i>1</i>



**Exploded View**

*Optional Items Shown in ITALICS*

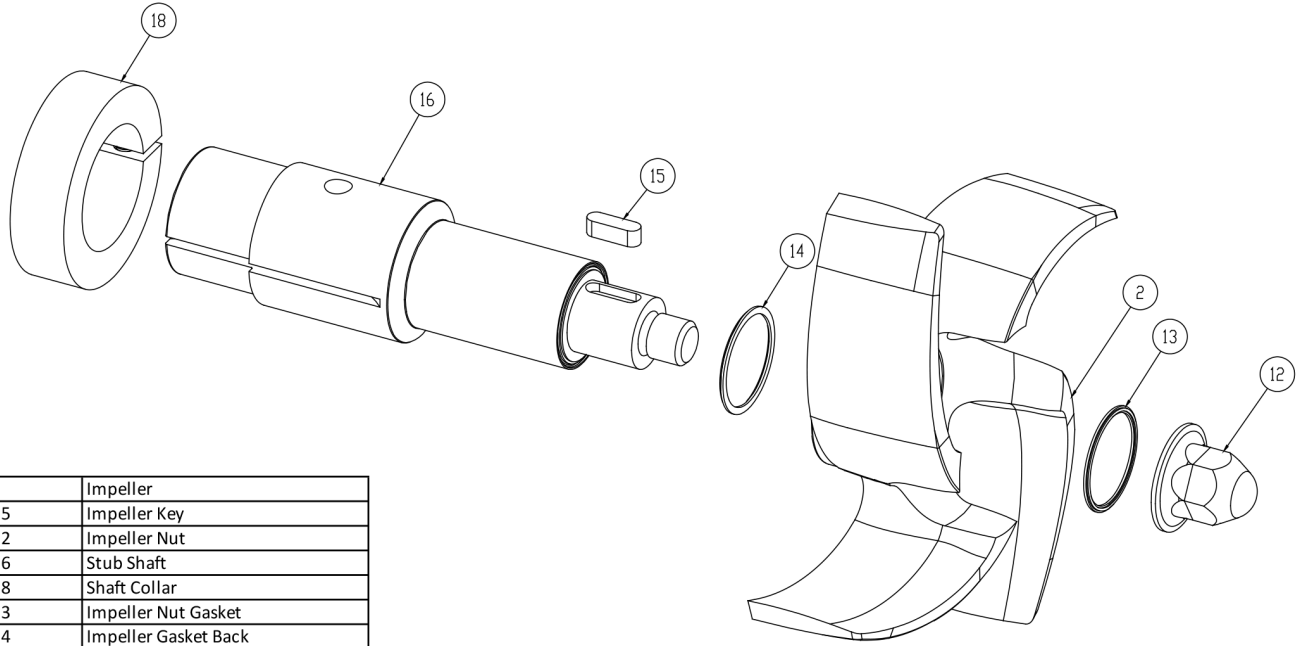
Ref #	Component Item No.	Description	Qty Per
1	<b>S328M-01C</b>	<b>CASING,3X2,TRI-CLMP C328/C+328</b>	1
	<i>S328T-01C</i>	<i>CASING,3X2,BVL SEAT C328/C+328</i>	1
	<i>S328MI-01C</i>	<i>CASING,3X2,CLMP GLASS BEAD C328/C+328</i>	1
	<i>S328S-01C</i>	<i>CASING,3X2,FEMALE NPT C328/C+328</i>	1
	<i>S328F-01D</i>	<i>CASING,3X2,FLNGD C328/C+328</i>	1
2	<b>S328-02C</b>	<b>IMPELLER,328/428 C UNIVERSAL</b>	1
3	<b>S328-90A-U</b>	<b>GASKET,218/328,CASING,BUNA C C+</b>	1
	<i>S328-90A-E</i>	<i>GASKET,218/328,CASING,EPDM C C+</i>	1
	<i>S328-90A-V</i>	<i>GASKET,218/328,CASING,VIT C C+</i>	1
4	<b>328E-11B-316</b>	<b>BACKPLATE,E,218/328 C C+</b>	1
6	<b>328E-80-1A</b>	<b>SEAL,218/328,3218,CARBON C C+</b>	2
7	<b>S328-80-2-U</b>	<b>O-RING,218/328,SEAL,BUNA C C+</b>	2
	<i>S328-80-2-E</i>	<i>O-RING,218/328,SEAL,EPDM,2-222 C C+</i>	2
	<i>S328-80-2-V</i>	<i>O-RING,218/328,SEAL,VIT C C+</i>	2
8	<b>328E-80-3P</b>	<b>CUP,E,218/318/328/428 C C+</b>	2
9	<b>328E-80-4A</b>	<b>SPRING,E,218/318/328/428 C C+</b>	1
10	<b>328E-23-316L</b>	<b>COLLAR,E,218/328/428,DRIVE C C+</b>	1
11	<b>SC1103A-SS</b>	<b>SCREW,SET,1/4-20X1/4 E BALANCED</b>	2
12	<b>328D-24B-316L</b>	<b>RETAINER,IMPLR</b>	1
16	<b>CS328E32TS-06</b>	<b>STUBSHAFT,320TSC,UNIVRSL C218/C328</b>	1
17	<b>S328-75AR-S</b>	<b>CLAMP,218/328,CASING C C+</b>	1
18	<b>SX18000027</b>	<b>COLLAR,280TC/320TSC,SHAFT LC</b>	1
19	<b>328D32TS-71C-SS</b>	<b>ADAPTER,320TSC FRAME,SS C218/C328/C+218/C+328</b>	1
20	<b>C328-28T-131-S</b>	<b>GUARD,SEAL,218/328/428/4410,SS C C+</b>	1
21	<b>GX5079600</b>	<b>CAPSCRW,HX,1/4-20X1/2,18-8SS HX HD</b>	1
22	<b>GX5076700</b>	<b>CAPSCRW,HX,5/8-11X1-1/2,18-8SS HX HD</b>	4
30	<b>17-153-U</b>	<b>O-RING,218,STUFF BX,BUNA C</b>	1



**Exploded View**

*Optional Items Shown in ITALICS*

Ref #	Component Item No.	Description	Qty Per
30	17-153-E	O-RING,218,STUFF BX,EPDM C C+	1
	17-153-V	O-RING,218,STUFF BX,VIT C C+	1
31	328E-83B-316	STUFFING BOX,E,218/328 C C+	1
32	SC1308H-SS	CAPSCRW,BH,5/16-18 X1/2,18-8SS BUTTON HD	4
33	17-274-U	O-RING,218,FOLLOWER,BUNA C C+	1
	17-274-E	O-RING,218,FOLLOWER,EPDM C C+	1
	17-274-V	O-RING,218,FOLLOWER,VIT C C+	1
34	328E-17-316	FOLLOWER,E,218/328,+218/328 C C+	1
35	LWA-1300-SS	WASHER,LOCK,5/16,18-8SS	4
36	SC1308E-SS	CAPSCRW,BH,5/16-18X3/4,18-8SS BUTTON HD	4



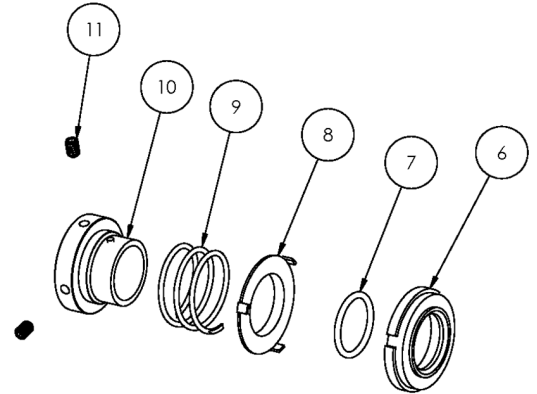
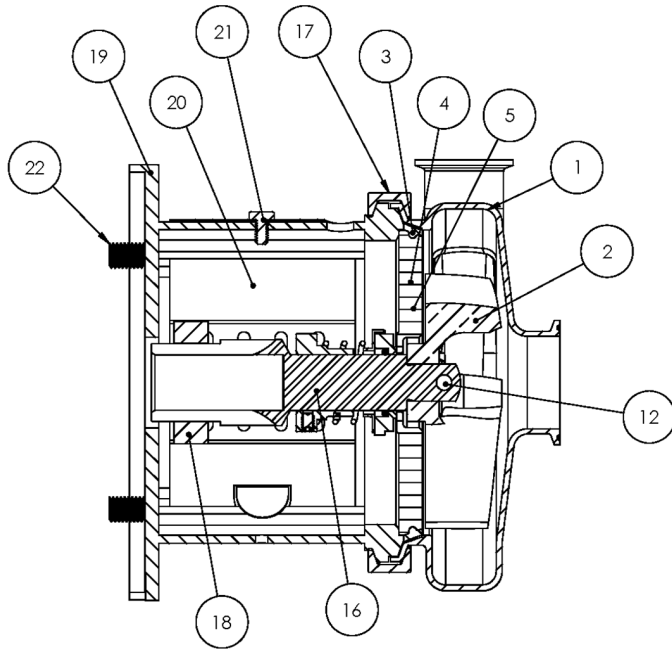
2	Impeller
15	Impeller Key
12	Impeller Nut
16	Stub Shaft
18	Shaft Collar
13	Impeller Nut Gasket
14	Impeller Gasket Back

**AC+ Conversion Kit**

*Optional Items Shown in ITALICS*

Ref #	Component Item No.	Description	Qty Per
1	<b>C+KIT-328/32TS</b>	<b>KIT,328,320TSC,C+CONVRT,BUNA C</b>	<b>1</b>
	<i>C+KIT-328/32TSE</i>	<i>KIT,328,320TSC,C+CONVRT,EPDM C</i>	<i>1</i>
	<i>C+KIT-328/32TSV</i>	<i>KIT,328,320TSC,C+CONVRT,VIT C</i>	<i>1</i>

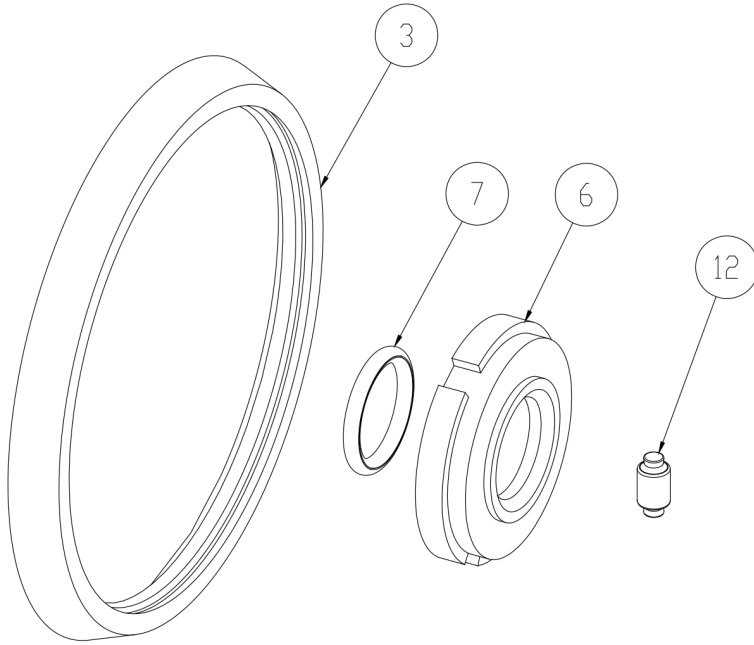




**Exploded View**

*Optional Items Shown in ITALICS*

Ref #	Component Item No.	Description	Qty Per
1	<b>S428M-01C-E</b>	<b>CASING,4X2,TRI-CLMP C428/C+428</b>	1
	<i>S428T-01C-E</i>	<i>CASING,4X2,BVL SEAT C428/C+428</i>	1
	<i>S428MI-01C-E</i>	<i>CASING,4X2,CLMP GLASS BEAD C428/C+428</i>	1
	<i>S428S-01C-E</i>	<i>CASING,4X2,NPT C428/C+428</i>	1
	<i>S428F-01D-E</i>	<i>CASING,4X2,FLNGD C428/C+428</i>	1
2	<b>S328-02C</b>	<b>IMPELLER,328/428 C UNIVERSAL</b>	1
3	<b>S328-90A-U</b>	<b>GASKET,218/328,CASING,BUNA C C+</b>	1
	<i>S328-90A-E</i>	<i>GASKET,218/328,CASING,EPDM C C+</i>	1
	<i>S328-90A-V</i>	<i>GASKET,218/328,CASING,VIT C C+</i>	1
4	<b>328D-11-316</b>	<b>BACKPLATE,D,218/328,+218/+328 C C+</b>	1
5	<b>216D-11-1-S</b>	<b>PIN,BACKPLT,114/216/328 C C+</b>	2
6	<b>328E-80-1A</b>	<b>SEAL,218/328,3218,CARBON C C+</b>	1
7	<b>S328-80-2-U</b>	<b>O-RING,218/328,SEAL,BUNA C C+</b>	1
	<i>S328-80-2-E</i>	<i>O-RING,218/328,SEAL,EPDM,2-222 C C+</i>	1
	<i>S328-80-2-V</i>	<i>O-RING,218/328,SEAL,VIT C C+</i>	1
8	<b>328D-80-3P</b>	<b>CUP,D,218/318/328/428 C C+</b>	1
9	<b>328D-80-4</b>	<b>SPRING,D,218/328/428,+3218 C C+ DB</b>	1
10	<b>SP328D-23P-S</b>	<b>COLLAR,D,218/328/+3218,DRIVE C C+</b>	1
11	<b>SC1105A-SS</b>	<b>SCREW,SET,DRV COLLR,1/4-20X3/8 -SS</b>	2
12	<b>328D-24B-316L</b>	<b>RETAINER,IMPLR</b>	1
17	<b>S328-75AR-S</b>	<b>CLAMP,218/328,CASING C C+</b>	1
18	<b>SX18000014</b>	<b>COLLAR,180TC,SHAFT LC</b>	1
19	<b>328D18T-71C-SS</b>	<b>ADAPTER,180TC FRAME,SS C218/C328/C+218/C+328</b>	1
20	<b>C328-18T-131-S</b>	<b>GUARD,SEAL,21/318/328/428,SS C C+ IC+ 180TC</b>	1
21	<b>GX5079600</b>	<b>CAPSCRW,HX,1/4-20X1/2,18-8SS HX HD</b>	1
22	<b>SC1710H-SS</b>	<b>CAPSCRW,HX,1/2-13X1,18-8SS HX HD</b>	4

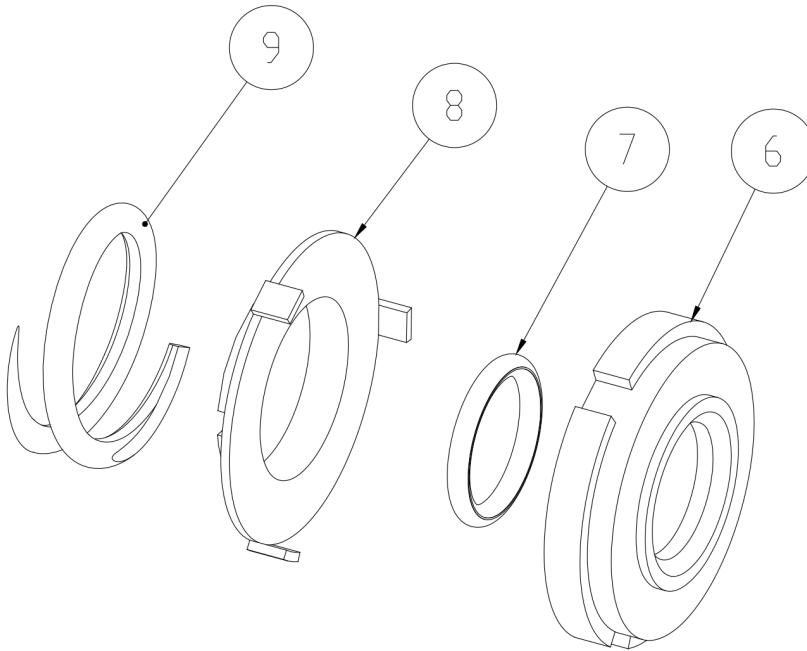


3	Casing Gasket
6	Seal Carbon
7	Seal O-Ring
12	Impeller Pin

**Seal Kit #1**

*Optional Items Shown in ITALICS*

Ref #	Component Item No.	Description	Qty Per
1	<b>KIT#1-C218-B</b>	<b>KIT,#1,218/328,SEAL,BUNA C</b>	<b>1</b>
	<i>KIT#1-C218-E</i>	<i>KIT,#1,SEAL,218/328,EPDM C</i>	<i>1</i>
	<i>KIT#1-C218-S</i>	<i>KIT,#1,SEAL,218/328,SFY,VIT C</i>	<i>1</i>

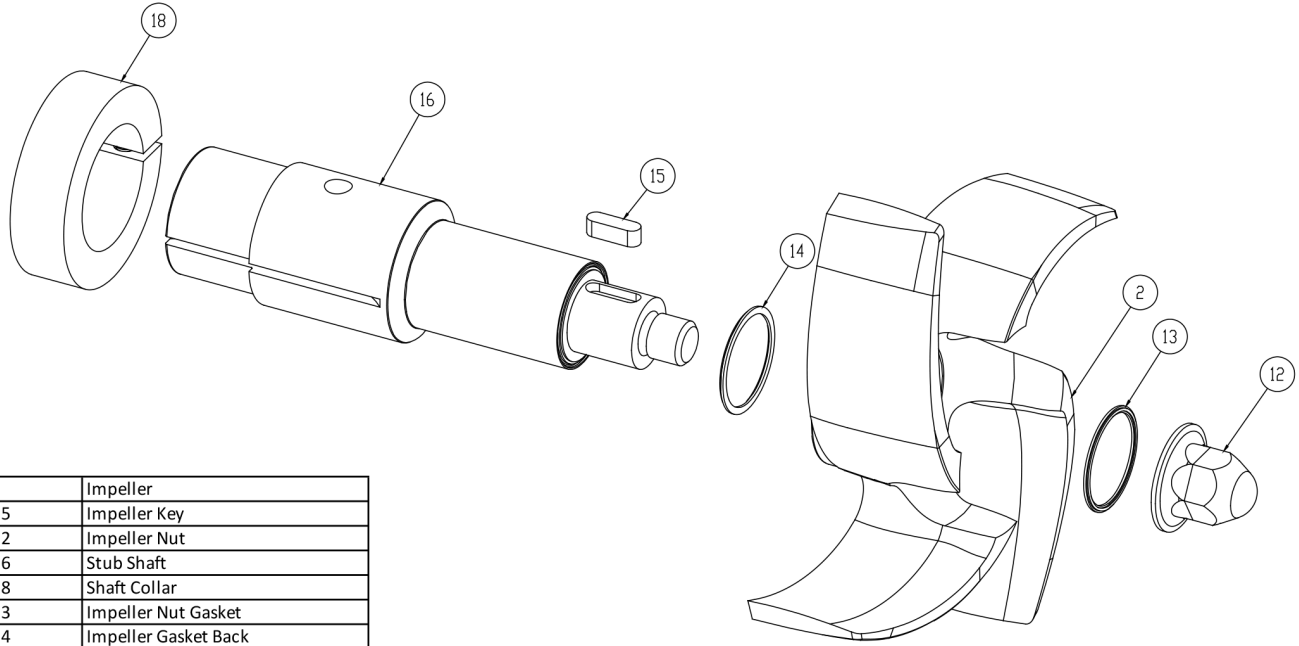


6	Seal Carbon
7	Seal O-Ring
8	Cup D Seal
9	Spring D Seal

**Seal Kit #3**

*Optional Items Shown in ITALICS*

Ref #	Component Item No.	Description	Qty Per
1	<b>KIT#3-C218-B</b>	<b>KIT,#3,218/328,SEAL,BUNA C</b>	<b>1</b>
	<i>KIT#3-C218-E</i>	<i>KIT,#3,SEAL,218/328,EPDM C</i>	<i>1</i>
	<i>KIT#3-C218-S</i>	<i>KIT,#3,SEAL,218/328,SFY,VIT C</i>	<i>1</i>

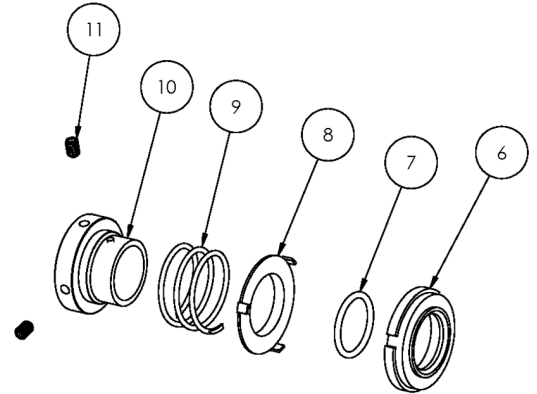
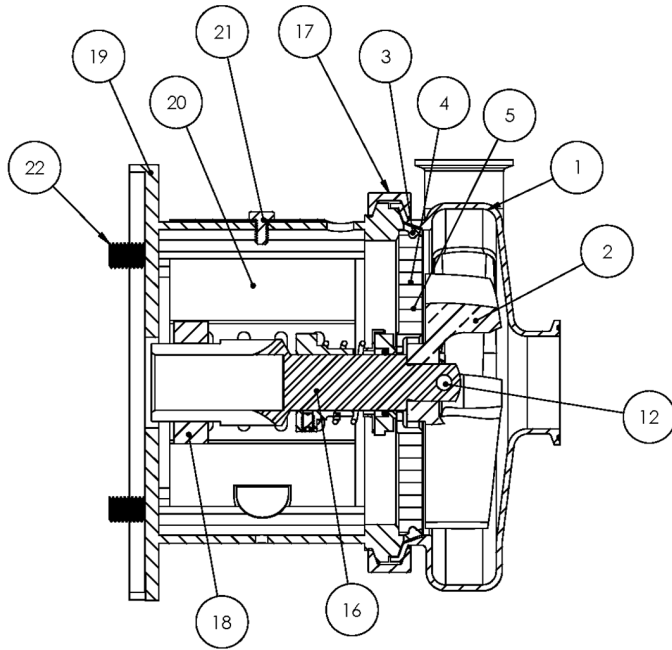


2	Impeller
15	Impeller Key
12	Impeller Nut
16	Stub Shaft
18	Shaft Collar
13	Impeller Nut Gasket
14	Impeller Gasket Back

**AC+ Conversion Kit**

*Optional Items Shown in ITALICS*

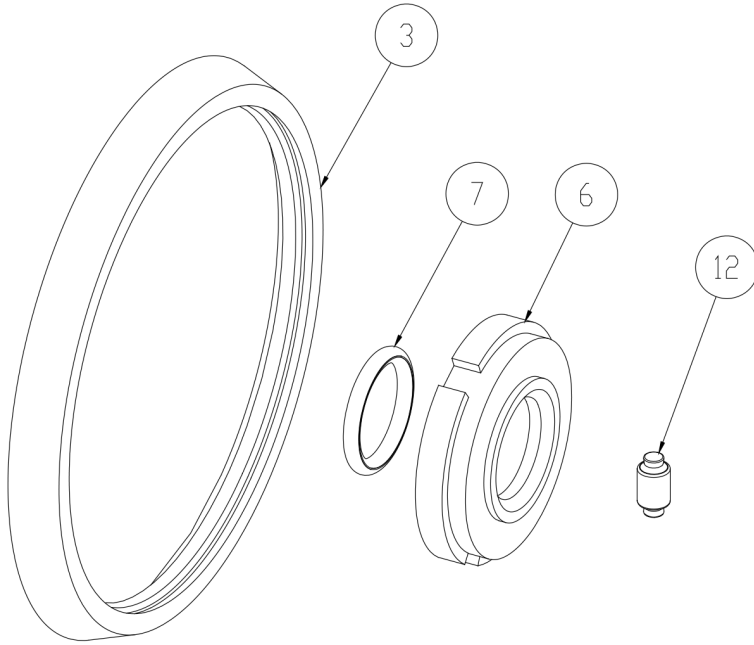
Ref #	Component Item No.	Description	Qty Per
1	<b>C+KIT-328/18</b>	<b>KIT,328,180TC,C+CONVRT,BUNA C</b>	<b>1</b>
	<i>C+KIT-328/18-E</i>	<i>KIT,328,180TC,C+CONVRT,EPDM C</i>	<i>1</i>
	<i>C+KIT-328/18-V</i>	<i>KIT,328,180TC,C+CONVRT,VIT C</i>	<i>1</i>



**Exploded View**

*Optional Items Shown in ITALICS*

Ref #	Component Item No.	Description	Qty Per
1	<b>S428M-01C-E</b>	<b>CASING,4X2,TRI-CLMP C428/C+428</b>	1
	<i>S428T-01C-E</i>	<i>CASING,4X2,BVL SEAT C428/C+428</i>	1
	<i>S428MI-01C-E</i>	<i>CASING,4X2,CLMP GLASS BEAD C428/C+428</i>	1
	<i>S428S-01C-E</i>	<i>CASING,4X2,NPT C428/C+428</i>	1
	<i>S428F-01D-E</i>	<i>CASING,4X2,FLNGD C428/C+428</i>	1
2	<b>S328-02C</b>	<b>IMPELLER,328/428 C UNIVERSAL</b>	1
3	<b>S328-90A-U</b>	<b>GASKET,218/328,CASING,BUNA C C+</b>	1
	<i>S328-90A-E</i>	<i>GASKET,218/328,CASING,EPDM C C+</i>	1
	<i>S328-90A-V</i>	<i>GASKET,218/328,CASING,VIT C C+</i>	1
4	<b>328D-11-316</b>	<b>BACKPLATE,D,218/328,+218/+328 C C+</b>	1
5	<b>216D-11-1-S</b>	<b>PIN,BACKPLT,114/216/328 C C+</b>	2
6	<b>328E-80-1A</b>	<b>SEAL,218/328,3218,CARBON C C+</b>	1
7	<b>S328-80-2-U</b>	<b>O-RING,218/328,SEAL,BUNA C C+</b>	1
	<i>S328-80-2-E</i>	<i>O-RING,218/328,SEAL,EPDM,2-222 C C+</i>	1
	<i>S328-80-2-V</i>	<i>O-RING,218/328,SEAL,VIT C C+</i>	1
8	<b>328D-80-3P</b>	<b>CUP,D,218/318/328/428 C C+</b>	1
9	<b>328D-80-4</b>	<b>SPRING,D,218/328/428,+3218 C C+ DB</b>	1
10	<b>SP328D-23P-S</b>	<b>COLLAR,D,218/328/+3218,DRIVE C C+</b>	1
11	<b>SC1105A-SS</b>	<b>SCREW,SET,DRV COLLR,1/4-20X3/8 -SS</b>	2
12	<b>328D-24B-316L</b>	<b>RETAINER,IMPLR</b>	1
16	<b>CS328E21T-06</b>	<b>STUBSHAFT,210TC,UNIVRSL C218/C328</b>	1
17	<b>S328-75AR-S</b>	<b>CLAMP,218/328,CASING C C+</b>	1
18	<b>SX18000015</b>	<b>COLLAR,210TC,SHAFT LC</b>	1
19	<b>328D21T-71C-SS</b>	<b>ADAPTER,210TC FRAME,SS C218/C328/C+218/C+328</b>	1
20	<b>C328-21T-131-S</b>	<b>GUARD,SEAL,218/318/328/428,SS C C+ CB+ 210TC</b>	1
21	<b>GX5079600</b>	<b>CAPSCRW,HX,1/4-20X1/2,18-8SS HX HD</b>	1
22	<b>SC1710H-SS</b>	<b>CAPSCRW,HX,1/2-13X1,18-8SS HX HD</b>	4

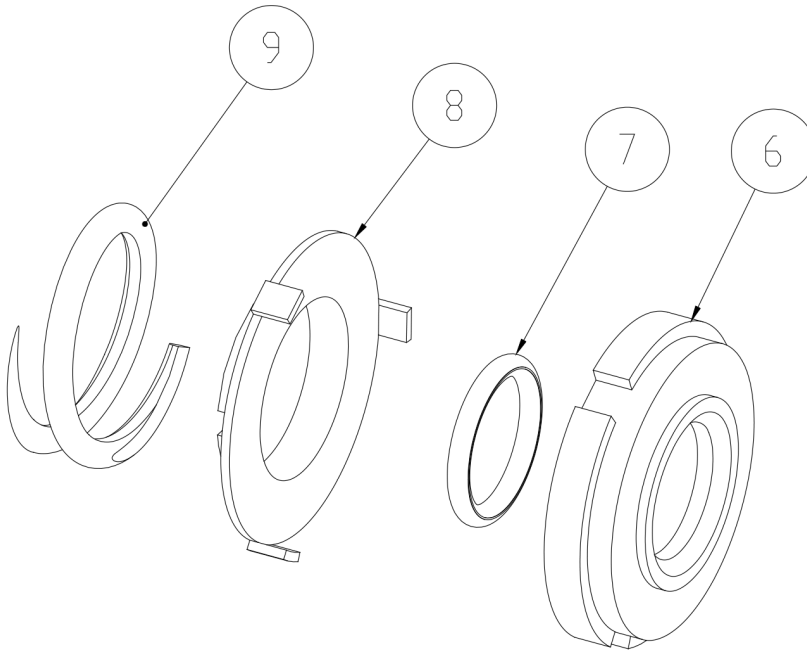


3	Casing Gasket
6	Seal Carbon
7	Seal O-Ring
12	Impeller Pin

**Seal Kit #1**

*Optional Items Shown in ITALICS*

Ref #	Component Item No.	Description	Qty Per
1	<b>KIT#1-C218-B</b>	<b>KIT,#1,218/328,SEAL,BUNA C</b>	<b>1</b>
	<i>KIT#1-C218-E</i>	<i>KIT,#1,SEAL,218/328,EPDM C</i>	<i>1</i>
	<i>KIT#1-C218-S</i>	<i>KIT,#1,SEAL,218/328,SFY,VIT C</i>	<i>1</i>

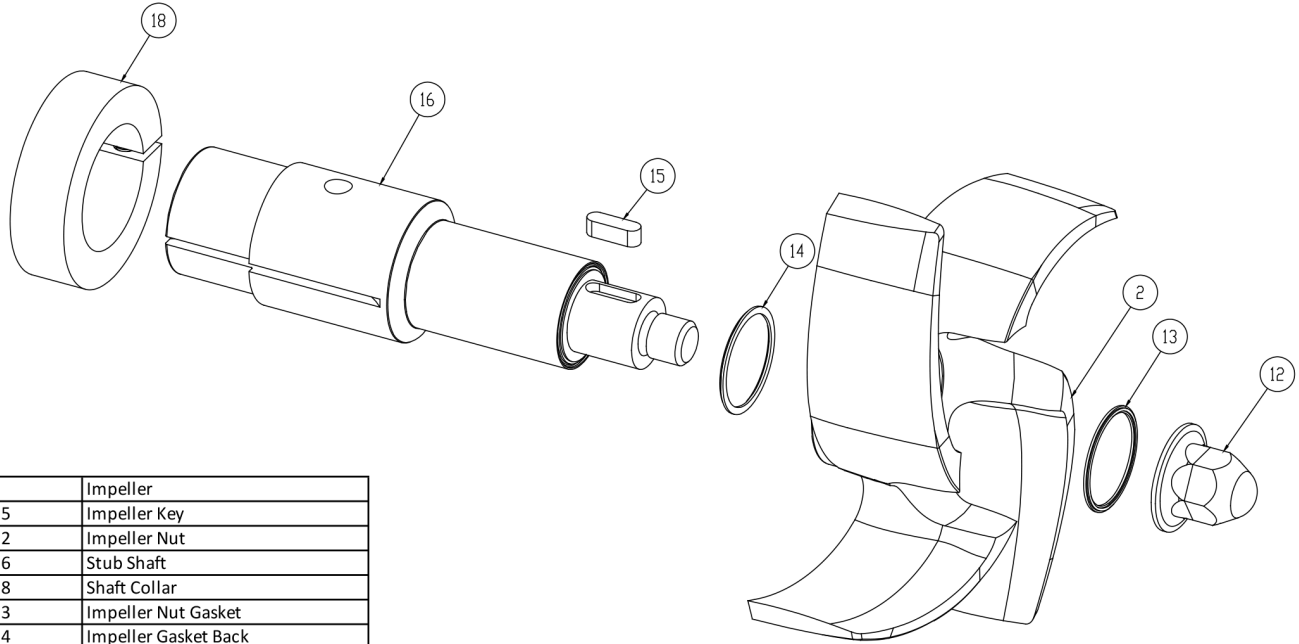


6	Seal Carbon
7	Seal O-Ring
8	Cup D Seal
9	Spring D Seal

**Seal Kit #3**

*Optional Items Shown in ITALICS*

Ref #	Component Item No.	Description	Qty Per
1	<b>KIT#3-C218-B</b>	<b>KIT,#3,218/328,SEAL,BUNA C</b>	<b>1</b>
	<i>KIT#3-C218-E</i>	<i>KIT,#3,SEAL,218/328,EPDM C</i>	<i>1</i>
	<i>KIT#3-C218-S</i>	<i>KIT,#3,SEAL,218/328,SFY,VIT C</i>	<i>1</i>



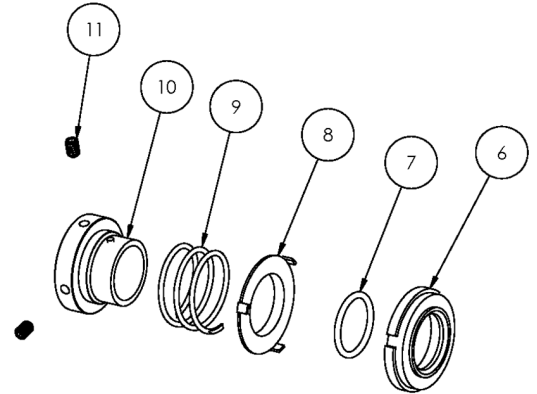
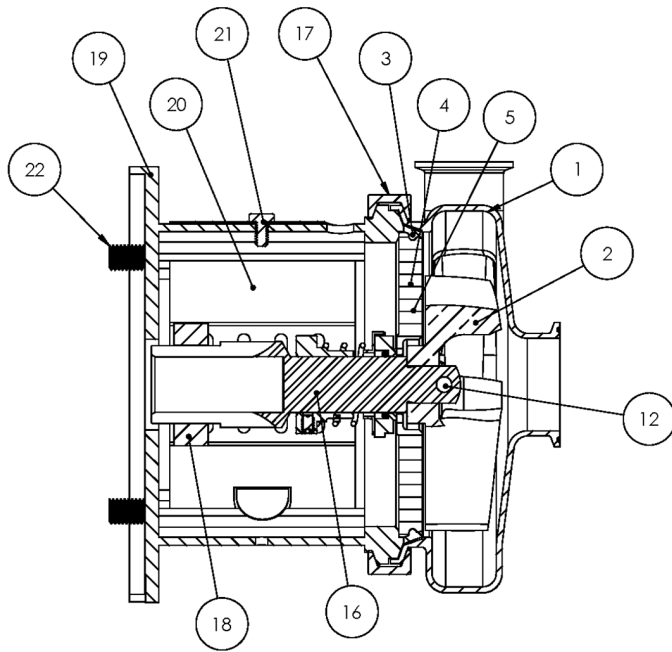
2	Impeller
15	Impeller Key
12	Impeller Nut
16	Stub Shaft
18	Shaft Collar
13	Impeller Nut Gasket
14	Impeller Gasket Back

**AC+ Conversion Kit**

*Optional Items Shown in ITALICS*

Ref #	Component Item No.	Description	Qty Per
1	<b>C+KIT-328/21</b>	<b>KIT,328,210TC,C+CONVRT,BUNA C</b>	<b>1</b>
	<i>C+KIT-328/21-E</i>	<i>KIT,328,210TC,C+CONVRT,EPDM C</i>	<i>1</i>
	<i>C+KIT-328/21-V</i>	<i>KIT,328,210TC,C+CONVRT,VIT C</i>	<i>1</i>

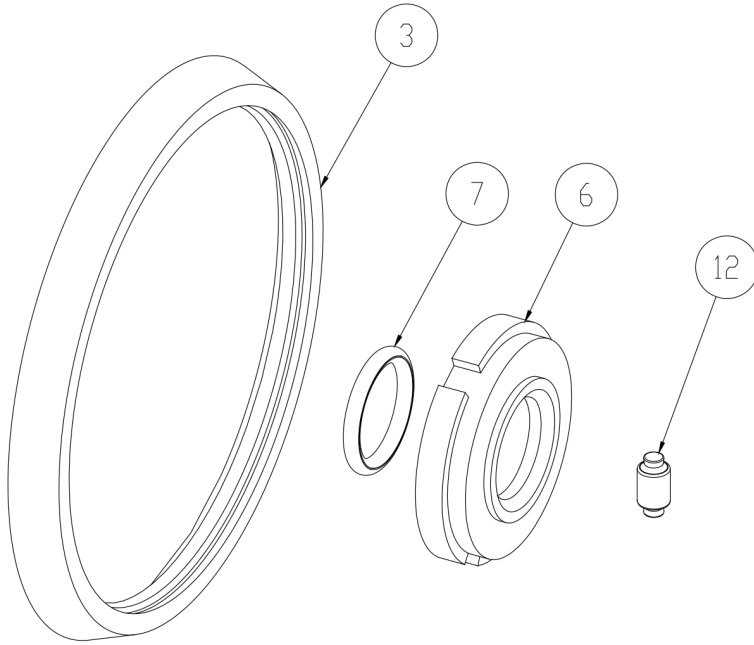




**Exploded View**

*Optional Items Shown in ITALICS*

Ref #	Component Item No.	Description	Qty Per
1	<b>S428M-01C-E</b>	<b>CASING,4X2,TRI-CLMP C428/C+428</b>	1
	<i>S428T-01C-E</i>	<i>CASING,4X2,BVL SEAT C428/C+428</i>	1
	<i>S428MI-01C-E</i>	<i>CASING,4X2,CLMP GLASS BEAD C428/C+428</i>	1
	<i>S428S-01C-E</i>	<i>CASING,4X2,NPT C428/C+428</i>	1
	<i>S428F-01D-E</i>	<i>CASING,4X2,FLNGD C428/C+428</i>	1
2	<b>S328-02C</b>	<b>IMPELLER,328/428 C UNIVERSAL</b>	1
3	<b>S328-90A-U</b>	<b>GASKET,218/328,CASING,BUNA C C+</b>	1
	<i>S328-90A-E</i>	<i>GASKET,218/328,CASING,EPDM C C+</i>	1
	<i>S328-90A-V</i>	<i>GASKET,218/328,CASING,VIT C C+</i>	1
4	<b>328D-11-316</b>	<b>BACKPLATE,D,218/328,+218/+328 C C+</b>	1
5	<b>216D-11-1-S</b>	<b>PIN,BACKPLT,114/216/328 C C+</b>	2
6	<b>328E-80-1A</b>	<b>SEAL,218/328,3218,CARBON C C+</b>	1
7	<b>S328-80-2-U</b>	<b>O-RING,218/328,SEAL,BUNA C C+</b>	1
	<i>S328-80-2-E</i>	<i>O-RING,218/328,SEAL,EPDM,2-222 C C+</i>	1
	<i>S328-80-2-V</i>	<i>O-RING,218/328,SEAL,VIT C C+</i>	1
8	<b>328D-80-3P</b>	<b>CUP,D,218/318/328/428 C C+</b>	1
9	<b>328D-80-4</b>	<b>SPRING,D,218/328/428,+3218 C C+ DB</b>	1
10	<b>SP328D-23P-S</b>	<b>COLLAR,D,218/328/+3218,DRIVE C C+</b>	1
11	<b>SC1105A-SS</b>	<b>SCREW,SET,DRV COLLR,1/4-20X3/8 -SS</b>	2
12	<b>328D-24B-316L</b>	<b>RETAINER,IMPLR</b>	1
16	<b>CS328E25T-06</b>	<b>STUBSHAFT,250TC,UNIVRSL C218/C328</b>	1
17	<b>S328-75AR-S</b>	<b>CLAMP,218/328,CASING C C+</b>	1
18	<b>SX18000016</b>	<b>COLLAR,250TC/280TSC,SHAFT LC</b>	1
19	<b>328D25T-71C-SS</b>	<b>ADAPTER,250TC FRAME,SS C218/C328/C+218/C+328</b>	1
20	<b>C328-25T-131-S</b>	<b>GUARD,SEAL,218/328/428,SS C C+ CB+ 250TC</b>	1
21	<b>GX5079600</b>	<b>CAPSCRW,HX,1/4-20X1/2,18-8SS HX HD</b>	1
22	<b>SC1710H-SS</b>	<b>CAPSCRW,HX,1/2-13X1,18-8SS HX HD</b>	4

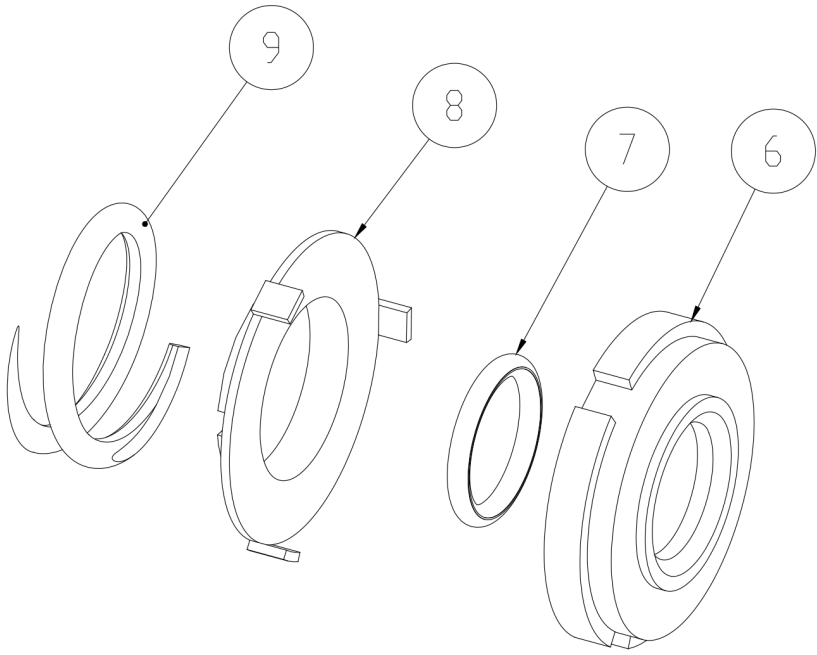


3	Casing Gasket
6	Seal Carbon
7	Seal O-Ring
12	Impeller Pin

**Seal Kit #1**

*Optional Items Shown in ITALICS*

Ref #	Component Item No.	Description	Qty Per
1	<b>KIT#1-C218-B</b>	<b>KIT,#1,218/328,SEAL,BUNA C</b>	<b>1</b>
	<i>KIT#1-C218-E</i>	<i>KIT,#1,SEAL,218/328,EPDM C</i>	<i>1</i>
	<i>KIT#1-C218-S</i>	<i>KIT,#1,SEAL,218/328,SFY,VIT C</i>	<i>1</i>

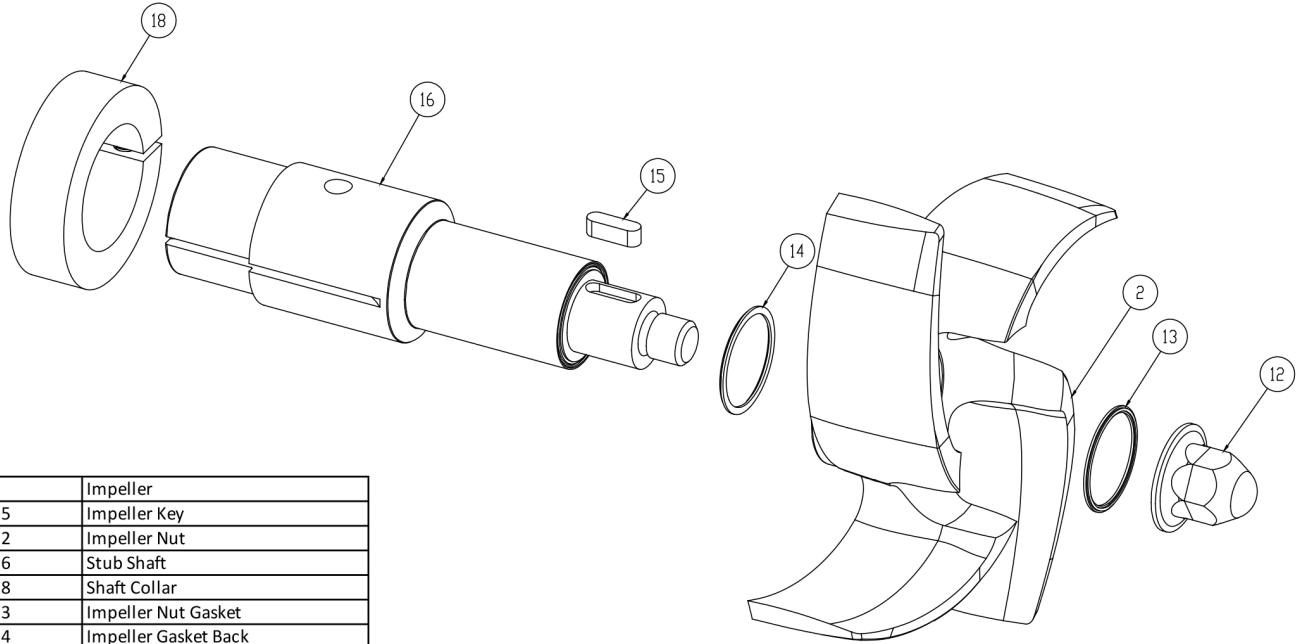


6	Seal Carbon
7	Seal O-Ring
8	Cup D Seal
9	Spring D Seal

**Seal Kit #3**

*Optional Items Shown in ITALICS*

Ref #	Component Item No.	Description	Qty Per
1	<b>KIT#3-C218-B</b>	<b>KIT,#3,218/328,SEAL,BUNA C</b>	<b>1</b>
	<i>KIT#3-C218-E</i>	<i>KIT,#3,SEAL,218/328,EPDM C</i>	<i>1</i>
	<i>KIT#3-C218-S</i>	<i>KIT,#3,SEAL,218/328,SFY,VIT C</i>	<i>1</i>

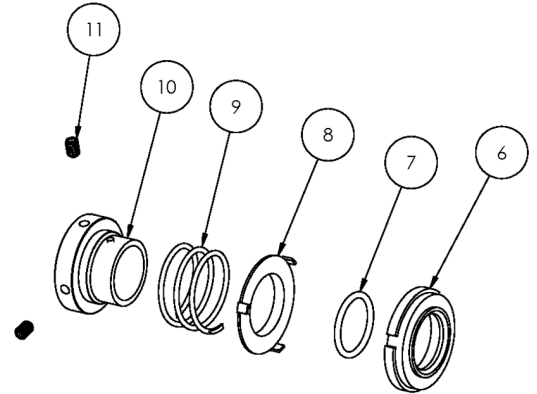
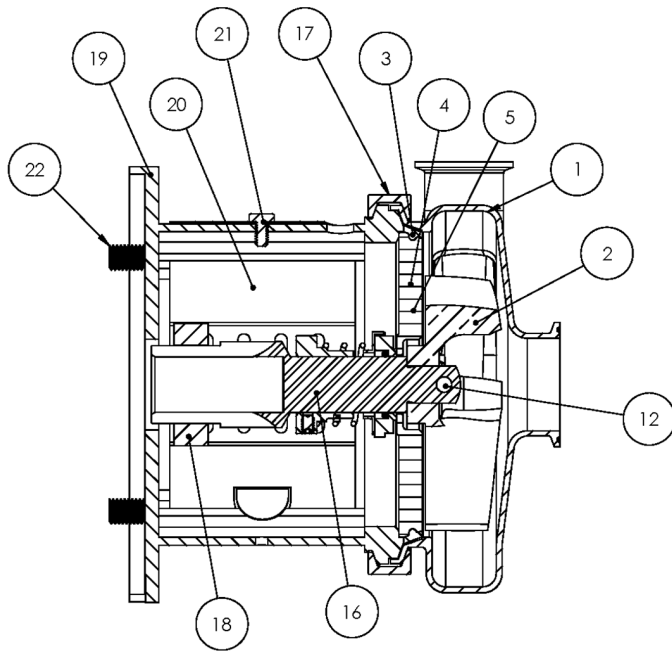


2	Impeller
15	Impeller Key
12	Impeller Nut
16	Stub Shaft
18	Shaft Collar
13	Impeller Nut Gasket
14	Impeller Gasket Back

**AC+ Conversion Kit**

*Optional Items Shown in ITALICS*

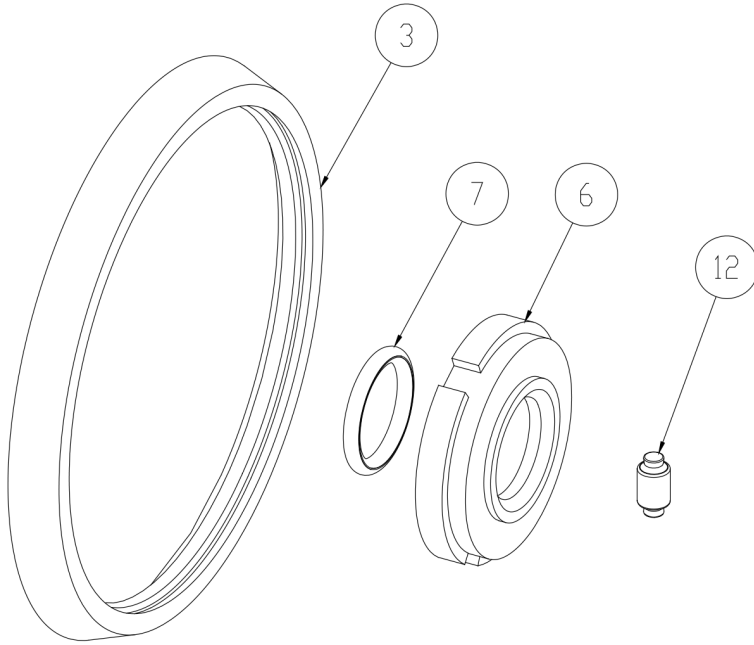
Ref #	Component Item No.	Description	Qty Per
1	<b>C+KIT-328/25</b>	<b>KIT,328,250TC,C+CONVRT,BUNA C</b>	<b>1</b>
	<i>C+KIT-328/25-E</i>	<i>KIT,328,250TC,C+CONVRT,EPDM C</i>	<i>1</i>
	<i>C+KIT-328/25-V</i>	<i>KIT,328,250TC,C+CONVRT,VIT C</i>	<i>1</i>



**Exploded View**

*Optional Items Shown in ITALICS*

Ref #	Component Item No.	Description	Qty Per
1	<b>S428M-01C-E</b>	<b>CASING,4X2,TRI-CLMP C428/C+428</b>	1
	<i>S428T-01C-E</i>	<i>CASING,4X2,BVL SEAT C428/C+428</i>	1
	<i>S428MI-01C-E</i>	<i>CASING,4X2,CLMP GLASS BEAD C428/C+428</i>	1
	<i>S428S-01C-E</i>	<i>CASING,4X2,NPT C428/C+428</i>	1
	<i>S428F-01D-E</i>	<i>CASING,4X2,FLNGD C428/C+428</i>	1
2	<b>S328-02C</b>	<b>IMPELLER,328/428 C UNIVERSAL</b>	1
3	<b>S328-90A-U</b>	<b>GASKET,218/328,CASING,BUNA C C+</b>	1
	<i>S328-90A-E</i>	<i>GASKET,218/328,CASING,EPDM C C+</i>	1
	<i>S328-90A-V</i>	<i>GASKET,218/328,CASING,VIT C C+</i>	1
4	<b>328D-11-316</b>	<b>BACKPLATE,D,218/328,+218/+328 C C+</b>	1
5	<b>216D-11-1-S</b>	<b>PIN,BACKPLT,114/216/328 C C+</b>	2
6	<b>328E-80-1A</b>	<b>SEAL,218/328,3218,CARBON C C+</b>	1
7	<b>S328-80-2-U</b>	<b>O-RING,218/328,SEAL,BUNA C C+</b>	1
	<i>S328-80-2-E</i>	<i>O-RING,218/328,SEAL,EPDM,2-222 C C+</i>	1
	<i>S328-80-2-V</i>	<i>O-RING,218/328,SEAL,VIT C C+</i>	1
8	<b>328D-80-3P</b>	<b>CUP,D,218/318/328/428 C C+</b>	1
9	<b>328D-80-4</b>	<b>SPRING,D,218/328/428,+3218 C C+ DB</b>	1
10	<b>SP328D-23P-S</b>	<b>COLLAR,D,218/328/+3218,DRIVE C C+</b>	1
11	<b>SC1105A-SS</b>	<b>SCREW,SET,DRV COLLR,1/4-20X3/8 -SS</b>	2
12	<b>328D-24B-316L</b>	<b>RETAINER,IMPLR</b>	1
16	<b>CS328E28T-06</b>	<b>STUBSHAFT,280TC,UNIVRSL C218/C328</b>	1
17	<b>S328-75AR-S</b>	<b>CLAMP,218/328,CASING C C+</b>	1
18	<b>SX18000027</b>	<b>COLLAR,280TC/320TSC,SHAFT LC</b>	1
19	<b>328D28T-71C-SS</b>	<b>ADAPTER,280TC/TSC FRAME,SS C218/C328/C+218/C+328</b>	1
20	<b>C328-28T-131-S</b>	<b>GUARD,SEAL,218/328/428/4410,SS C C+</b>	1
21	<b>GX5079600</b>	<b>CAPSCRW,HX,1/4-20X1/2,18-8SS HX HD</b>	1
22	<b>SC1710H-SS</b>	<b>CAPSCRW,HX,1/2-13X1,18-8SS HX HD</b>	4

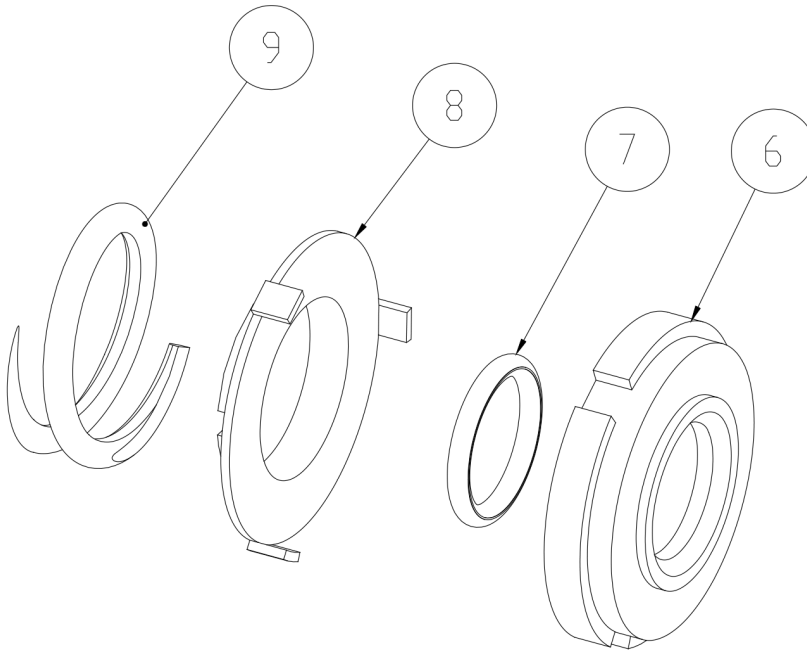


3	Casing Gasket
6	Seal Carbon
7	Seal O-Ring
12	Impeller Pin

**Seal Kit #1**

*Optional Items Shown in ITALICS*

Ref #	Component Item No.	Description	Qty Per
1	<b>KIT#1-C218-B</b>	<b>KIT,#1,218/328,SEAL,BUNA C</b>	<b>1</b>
	<i>KIT#1-C218-E</i>	<i>KIT,#1,SEAL,218/328,EPDM C</i>	<i>1</i>
	<i>KIT#1-C218-S</i>	<i>KIT,#1,SEAL,218/328,SFY,VIT C</i>	<i>1</i>

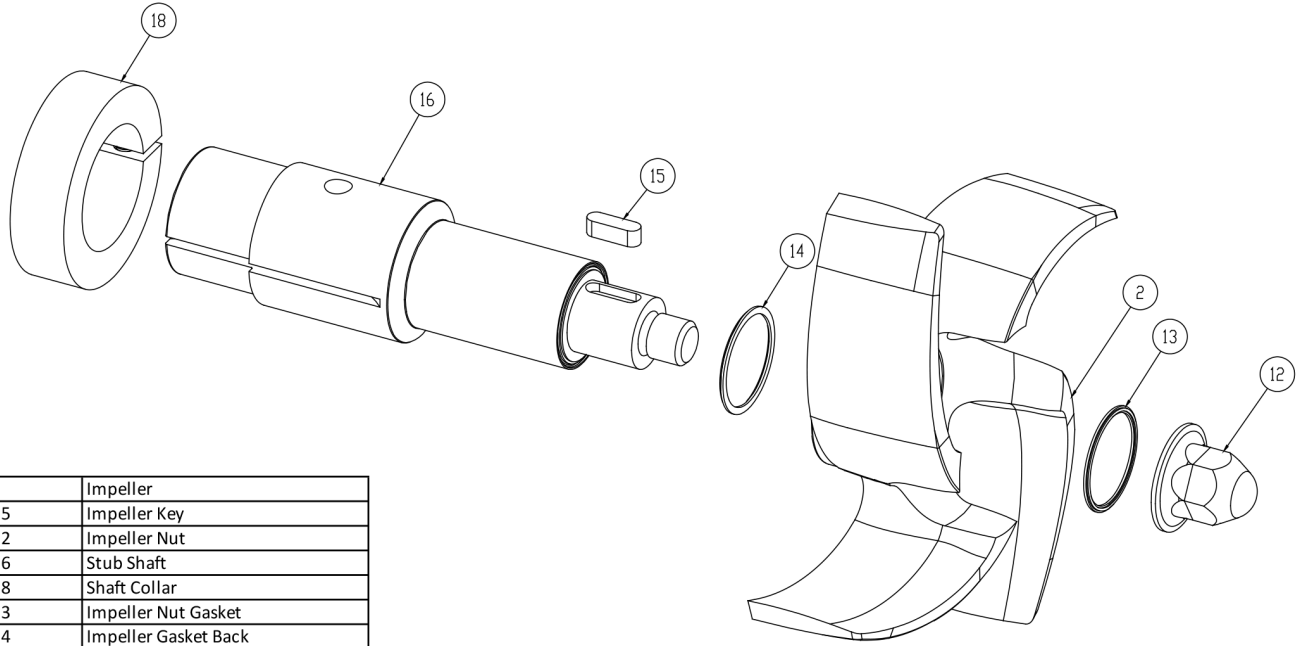


6	Seal Carbon
7	Seal O-Ring
8	Cup D Seal
9	Spring D Seal

**Seal Kit #3**

*Optional Items Shown in ITALICS*

Ref #	Component Item No.	Description	Qty Per
1	<b>KIT#3-C218-B</b>	<b>KIT,#3,218/328,SEAL,BUNA C</b>	<b>1</b>
	<i>KIT#3-C218-E</i>	<i>KIT,#3,SEAL,218/328,EPDM C</i>	<i>1</i>
	<i>KIT#3-C218-S</i>	<i>KIT,#3,SEAL,218/328,SFY,VIT C</i>	<i>1</i>



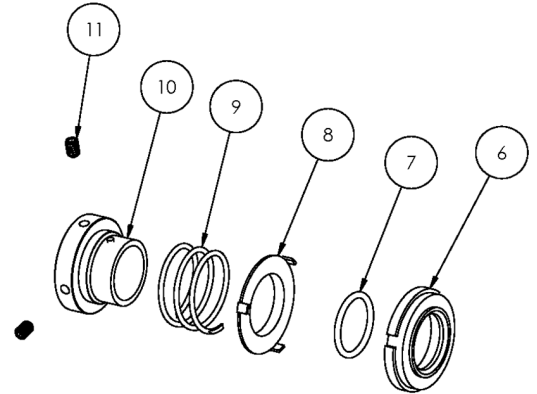
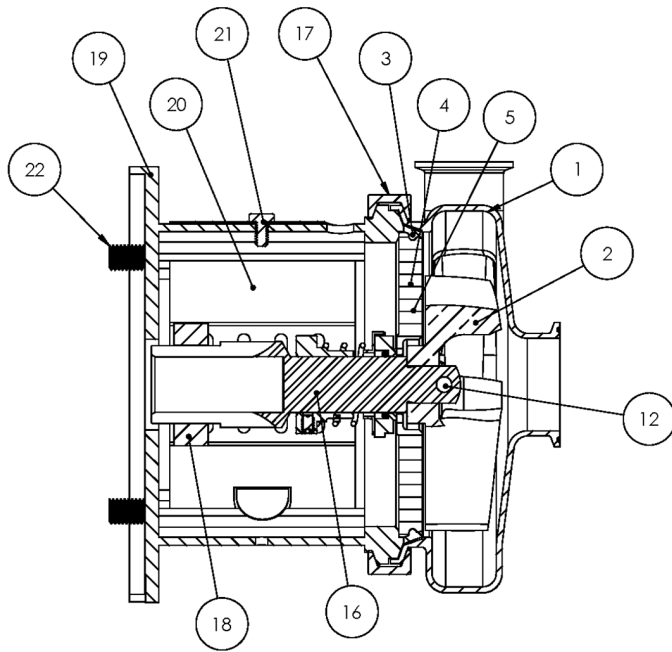
2	Impeller
15	Impeller Key
12	Impeller Nut
16	Stub Shaft
18	Shaft Collar
13	Impeller Nut Gasket
14	Impeller Gasket Back

**AC+ Conversion Kit**

*Optional Items Shown in ITALICS*

Ref #	Component Item No.	Description	Qty Per
1	<b>C+KIT-328/28</b>	<b>KIT,328,280TC,C+CONVRT,BUNA C</b>	<b>1</b>
	<i>C+KIT-328/28-E</i>	<i>KIT,328,280TC,C+CONVRT,EPDM C</i>	<i>1</i>
	<i>C+KIT-328/28-V</i>	<i>KIT,328,280TC,C+CONVRT,VIT C</i>	<i>1</i>

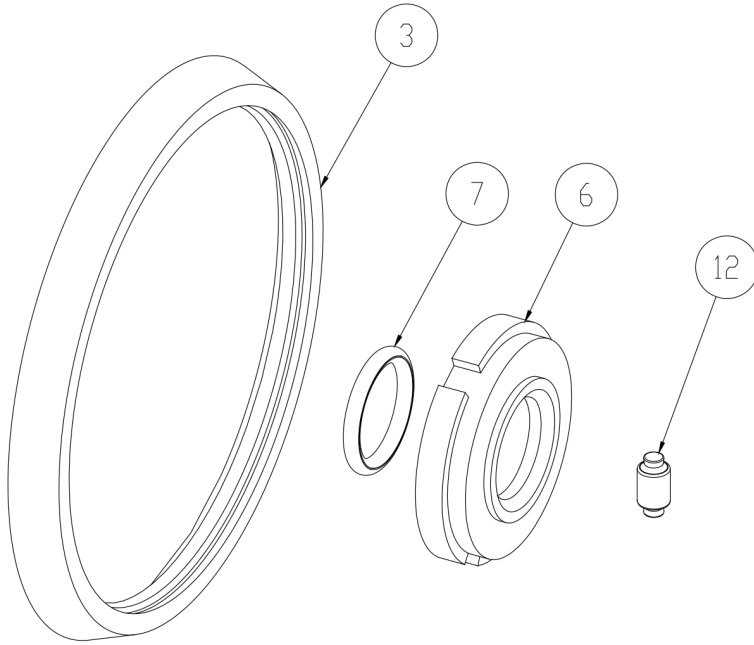




**Exploded View**

*Optional Items Shown in ITALICS*

Ref #	Component Item No.	Description	Qty Per
1	<b>S428M-01C-E</b>	<b>CASING,4X2,TRI-CLMP C428/C+428</b>	1
	<i>S428T-01C-E</i>	<i>CASING,4X2,BVL SEAT C428/C+428</i>	1
	<i>S428MI-01C-E</i>	<i>CASING,4X2,CLMP GLASS BEAD C428/C+428</i>	1
	<i>S428S-01C-E</i>	<i>CASING,4X2,NPT C428/C+428</i>	1
	<i>S428F-01D-E</i>	<i>CASING,4X2,FLNGD C428/C+428</i>	1
2	<b>S328-02C</b>	<b>IMPELLER,328/428 C UNIVERSAL</b>	1
3	<b>S328-90A-U</b>	<b>GASKET,218/328,CASING,BUNA C C+</b>	1
	<i>S328-90A-E</i>	<i>GASKET,218/328,CASING,EPDM C C+</i>	1
	<i>S328-90A-V</i>	<i>GASKET,218/328,CASING,VIT C C+</i>	1
4	<b>328D-11-316</b>	<b>BACKPLATE,D,218/328,+218/+328 C C+</b>	1
5	<b>216D-11-1-S</b>	<b>PIN,BACKPLT,114/216/328 C C+</b>	2
6	<b>328E-80-1A</b>	<b>SEAL,218/328,3218,CARBON C C+</b>	1
7	<b>S328-80-2-U</b>	<b>O-RING,218/328,SEAL,BUNA C C+</b>	1
	<i>S328-80-2-E</i>	<i>O-RING,218/328,SEAL,EPDM,2-222 C C+</i>	1
	<i>S328-80-2-V</i>	<i>O-RING,218/328,SEAL,VIT C C+</i>	1
8	<b>328D-80-3P</b>	<b>CUP,D,218/318/328/428 C C+</b>	1
9	<b>328D-80-4</b>	<b>SPRING,D,218/328/428,+3218 C C+ DB</b>	1
10	<b>SP328D-23P-S</b>	<b>COLLAR,D,218/328/+3218,DRIVE C C+</b>	1
11	<b>SC1105A-SS</b>	<b>SCREW,SET,DRV COLLR,1/4-20X3/8 -SS</b>	2
12	<b>328D-24B-316L</b>	<b>RETAINER,IMPLR</b>	1
16	<b>CS328E28TS-06</b>	<b>STUBSHAFT,280TSC,UNIVRSL C218/C328</b>	1
17	<b>S328-75AR-S</b>	<b>CLAMP,218/328,CASING C C+</b>	1
18	<b>SX18000035</b>	<b>COLLAR,250TC/280TSC,SHAFT LC</b>	1
19	<b>328D28T-71C-SS</b>	<b>ADAPTER,280TC/TSC FRAME,SS C218/C328/C+218/C+328</b>	1
20	<b>C328-28T-131-S</b>	<b>GUARD,SEAL,218/328/428/4410,SS C C+</b>	1
21	<b>GX5079600</b>	<b>CAPSCRW,HX,1/4-20X1/2,18-8SS HX HD</b>	1
22	<b>SC1710H-SS</b>	<b>CAPSCRW,HX,1/2-13X1,18-8SS HX HD</b>	4

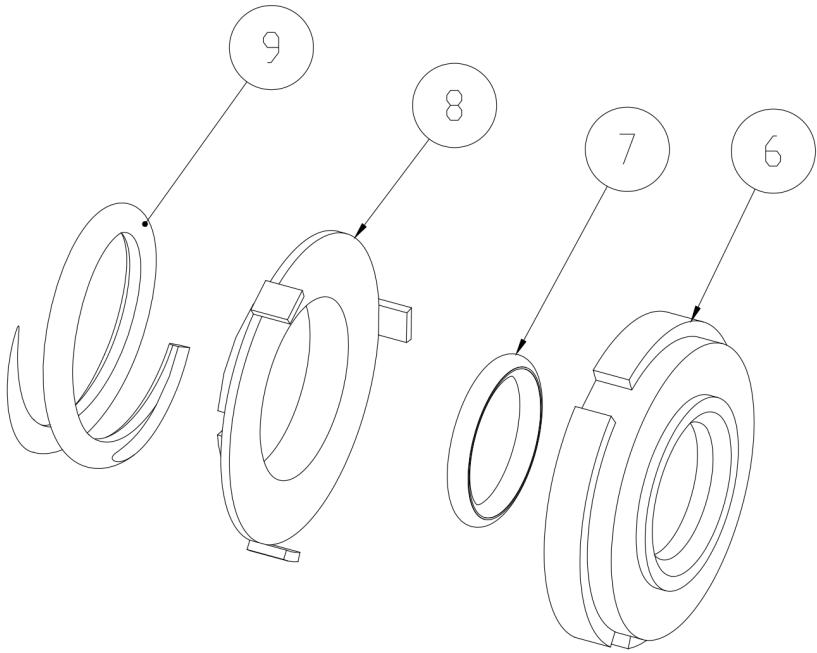


3	Casing Gasket
6	Seal Carbon
7	Seal O-Ring
12	Impeller Pin

**Seal Kit #1**

*Optional Items Shown in ITALICS*

Ref #	Component Item No.	Description	Qty Per
1	<b>KIT#1-C218-B</b>	<b>KIT,#1,218/328,SEAL,BUNA C</b>	<b>1</b>
	<i>KIT#1-C218-E</i>	<i>KIT,#1,SEAL,218/328,EPDM C</i>	<i>1</i>
	<i>KIT#1-C218-S</i>	<i>KIT,#1,SEAL,218/328,SFY,VIT C</i>	<i>1</i>

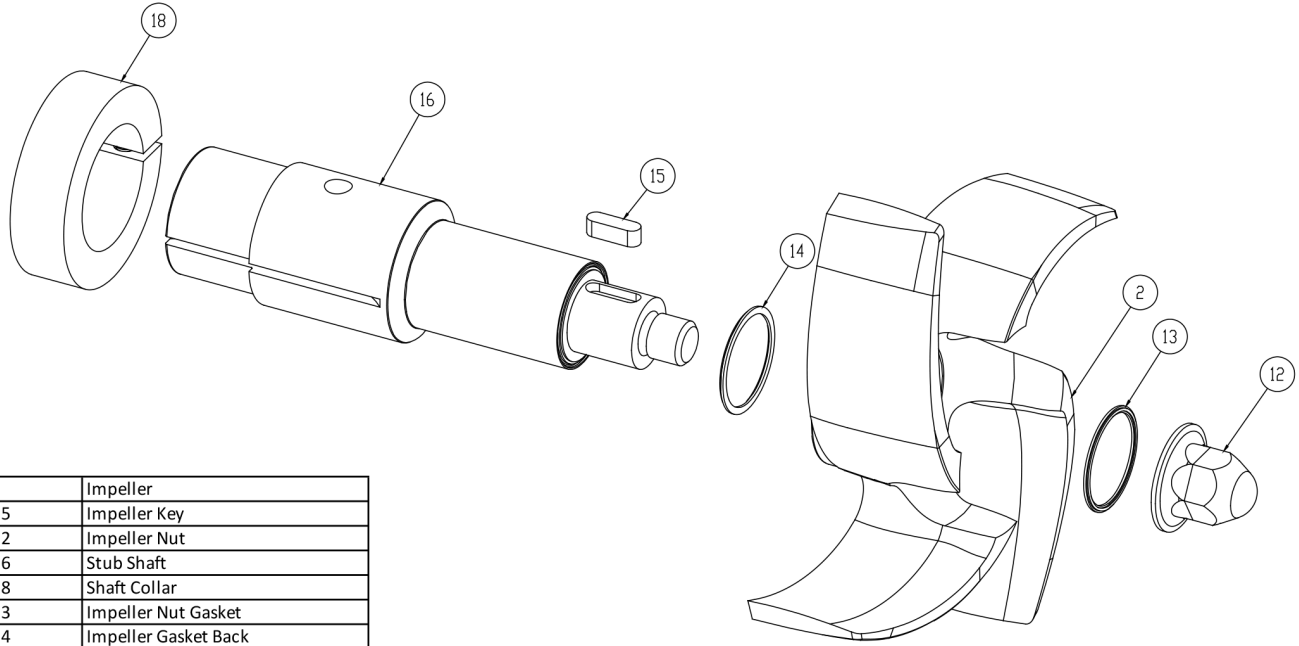


6	Seal Carbon
7	Seal O-Ring
8	Cup D Seal
9	Spring D Seal

**Seal Kit #3**

*Optional Items Shown in ITALICS*

Ref #	Component Item No.	Description	Qty Per
1	<b>KIT#3-C218-B</b>	<b>KIT,#3,218/328,SEAL,BUNA C</b>	<b>1</b>
	<i>KIT#3-C218-E</i>	<i>KIT,#3,SEAL,218/328,EPDM C</i>	<i>1</i>
	<i>KIT#3-C218-S</i>	<i>KIT,#3,SEAL,218/328,SFY,VIT C</i>	<i>1</i>

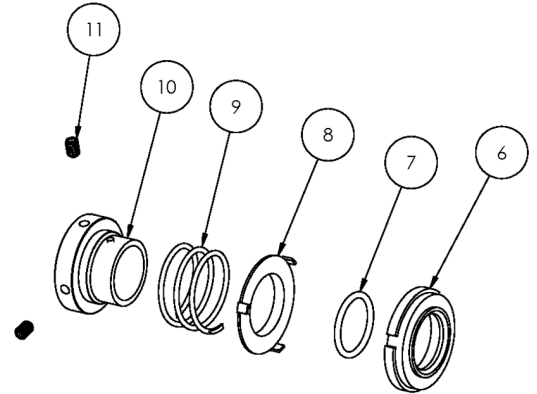
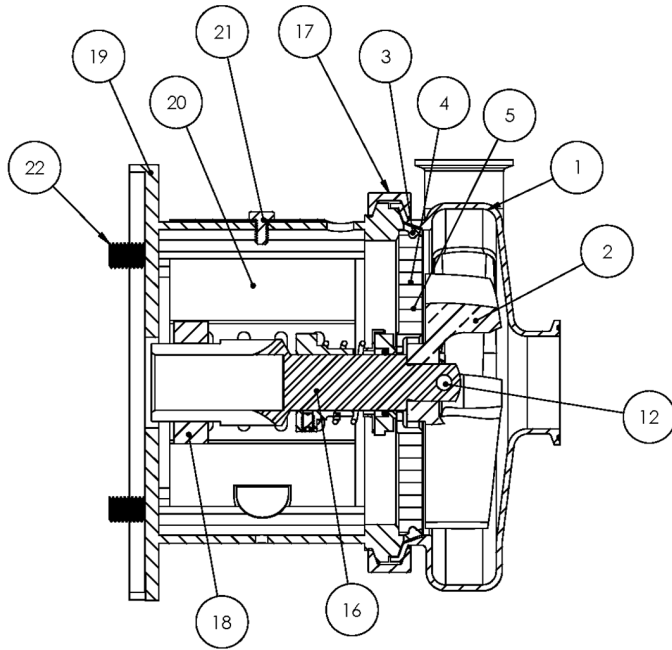


2	Impeller
15	Impeller Key
12	Impeller Nut
16	Stub Shaft
18	Shaft Collar
13	Impeller Nut Gasket
14	Impeller Gasket Back

**AC+ Conversion Kit**

*Optional Items Shown in ITALICS*

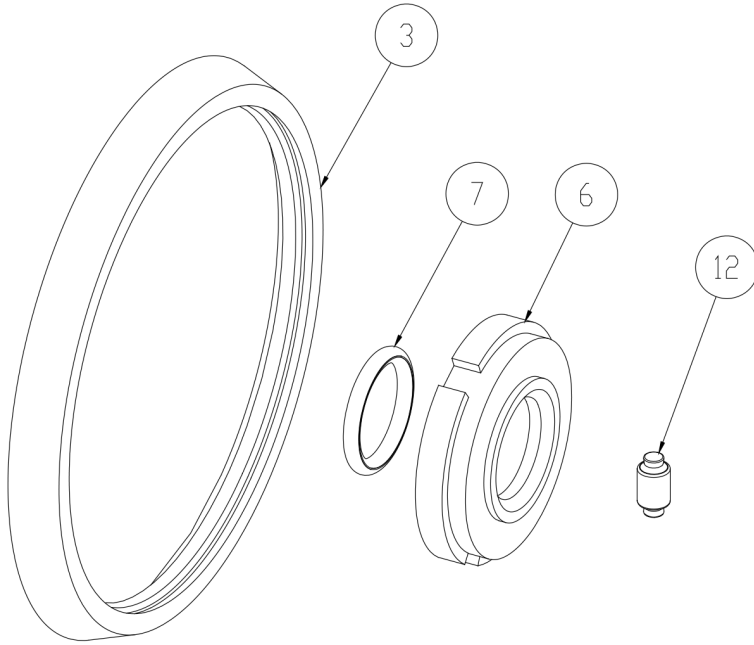
Ref #	Component Item No.	Description	Qty Per
1	<b>C+KIT-328/28TS</b>	<b>KIT,328,280TSC,C+CONVRT,BUNA C</b>	<b>1</b>
	<i>C+KIT-328/28TSE</i>	<i>KIT,328,280TSC,C+CONVRT,EPDM C</i>	<i>1</i>
	<i>C+KIT-328/28TSV</i>	<i>KIT,328,280TSC,C+CONVRT,VIT C</i>	<i>1</i>



**Exploded View**

*Optional Items Shown in ITALICS*

Ref #	Component Item No.	Description	Qty Per
1	<b>S428M-01C-E</b>	<b>CASING,4X2,TRI-CLMP C428/C+428</b>	1
	<i>S428T-01C-E</i>	<i>CASING,4X2,BVL SEAT C428/C+428</i>	1
	<i>S428MI-01C-E</i>	<i>CASING,4X2,CLMP GLASS BEAD C428/C+428</i>	1
	<i>S428S-01C-E</i>	<i>CASING,4X2,NPT C428/C+428</i>	1
	<i>S428F-01D-E</i>	<i>CASING,4X2,FLNGD C428/C+428</i>	1
2	<b>S328-02C</b>	<b>IMPELLER,328/428 C UNIVERSAL</b>	1
3	<b>S328-90A-U</b>	<b>GASKET,218/328,CASING,BUNA C C+</b>	1
	<i>S328-90A-E</i>	<i>GASKET,218/328,CASING,EPDM C C+</i>	1
	<i>S328-90A-V</i>	<i>GASKET,218/328,CASING,VIT C C+</i>	1
4	<b>328D-11-316</b>	<b>BACKPLATE,D,218/328,+218/+328 C C+</b>	1
5	<b>216D-11-1-S</b>	<b>PIN,BACKPLT,114/216/328 C C+</b>	2
6	<b>328E-80-1A</b>	<b>SEAL,218/328,3218,CARBON C C+</b>	1
7	<b>S328-80-2-U</b>	<b>O-RING,218/328,SEAL,BUNA C C+</b>	1
	<i>S328-80-2-E</i>	<i>O-RING,218/328,SEAL,EPDM,2-222 C C+</i>	1
	<i>S328-80-2-V</i>	<i>O-RING,218/328,SEAL,VIT C C+</i>	1
8	<b>328D-80-3P</b>	<b>CUP,D,218/318/328/428 C C+</b>	1
9	<b>328D-80-4</b>	<b>SPRING,D,218/328/428,+3218 C C+ DB</b>	1
10	<b>SP328D-23P-S</b>	<b>COLLAR,D,218/328/+3218,DRIVE C C+</b>	1
11	<b>SC1105A-SS</b>	<b>SCREW,SET,DRV COLLR,1/4-20X3/8 -SS</b>	2
12	<b>328D-24B-316L</b>	<b>RETAINER,IMPLR</b>	1
16	<b>CS328E32T-06</b>	<b>STUBSHAFT,320TC,UNIVRSL C218/C328</b>	1
17	<b>S328-75AR-S</b>	<b>CLAMP,218/328,CASING C C+</b>	1
18	<b>SX18000028</b>	<b>COLLAR,320TC,SHAFT LCX</b>	1
19	<b>328D32T-71C-SS</b>	<b>ADAPTER,320TC FRAME,SS C218/C328/C+218/C+328</b>	1
20	<b>C328-28T-131-S</b>	<b>GUARD,SEAL,218/328/428/4410,SS C C+</b>	1
21	<b>GX5079600</b>	<b>CAPSCRW,HX,1/4-20X1/2,18-8SS HX HD</b>	1
22	<b>GX5076700</b>	<b>CAPSCRW,HX,5/8-11X1-1/2,18-8SS HX HD</b>	4

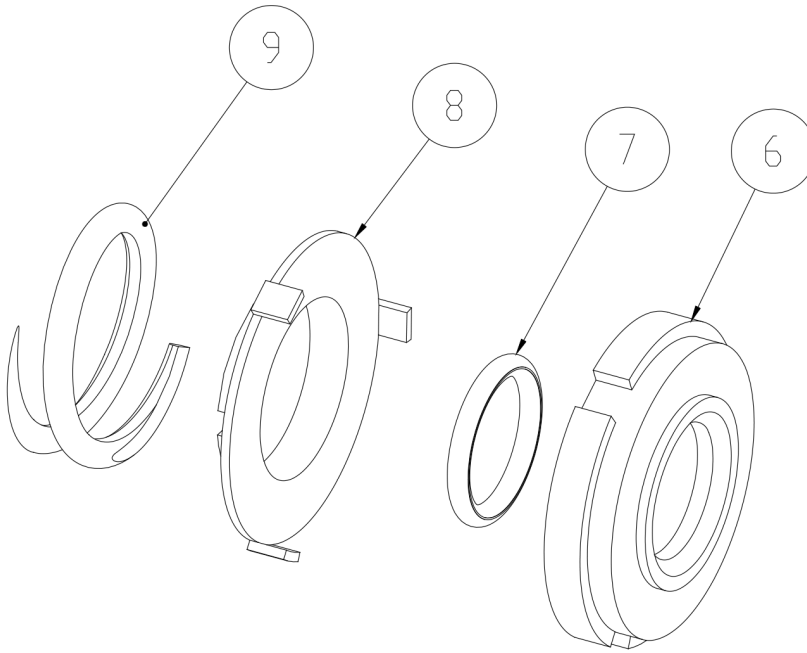


3	Casing Gasket
6	Seal Carbon
7	Seal O-Ring
12	Impeller Pin

**Seal Kit #1**

*Optional Items Shown in ITALICS*

Ref #	Component Item No.	Description	Qty Per
1	<b>KIT#1-C218-B</b>	<b>KIT,#1,218/328,SEAL,BUNA C</b>	<b>1</b>
	<i>KIT#1-C218-E</i>	<i>KIT,#1,SEAL,218/328,EPDM C</i>	<i>1</i>
	<i>KIT#1-C218-S</i>	<i>KIT,#1,SEAL,218/328,SFY,VIT C</i>	<i>1</i>

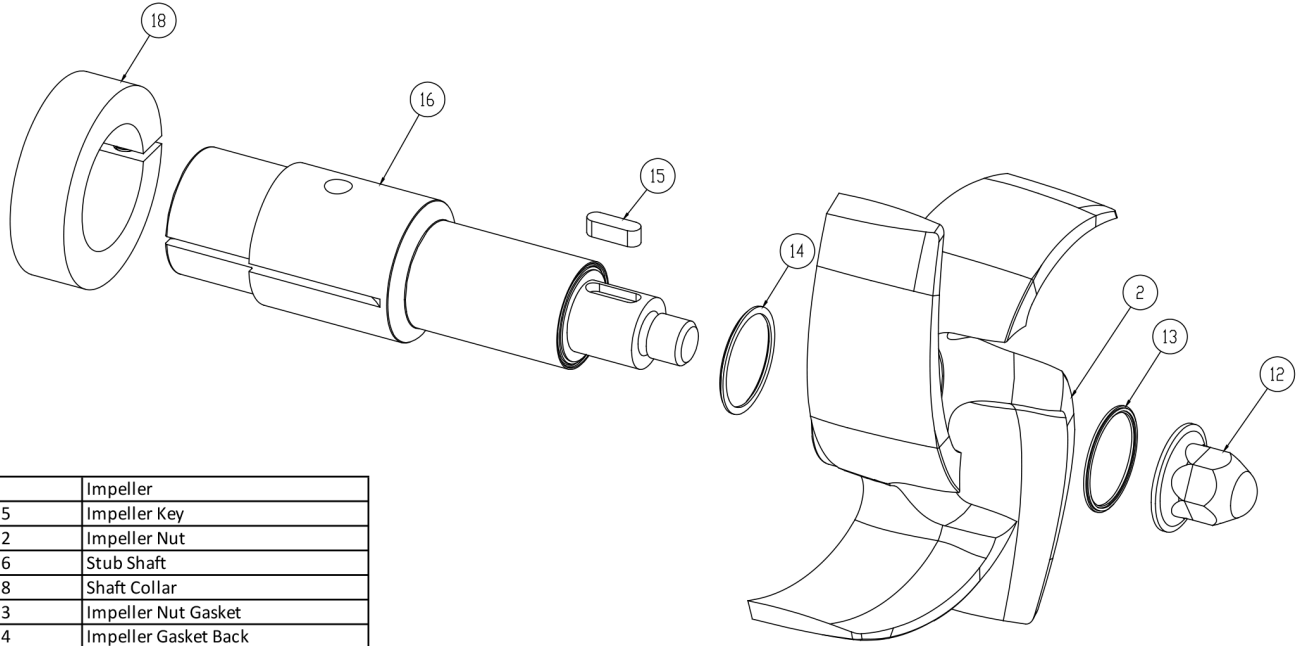


6	Seal Carbon
7	Seal O-Ring
8	Cup D Seal
9	Spring D Seal

**Seal Kit #3**

*Optional Items Shown in ITALICS*

Ref #	Component Item No.	Description	Qty Per
1	<b>KIT#3-C218-B</b>	<b>KIT,#3,218/328,SEAL,BUNA C</b>	<b>1</b>
	<i>KIT#3-C218-E</i>	<i>KIT,#3,SEAL,218/328,EPDM C</i>	<i>1</i>
	<i>KIT#3-C218-S</i>	<i>KIT,#3,SEAL,218/328,SFY,VIT C</i>	<i>1</i>



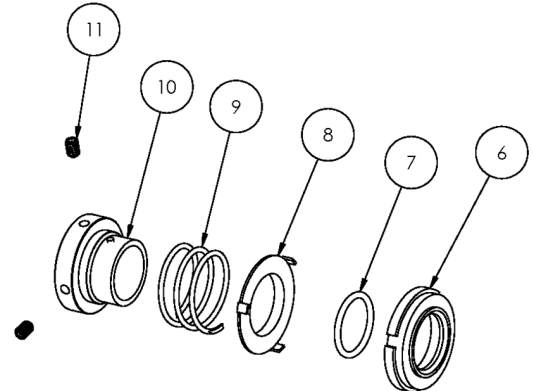
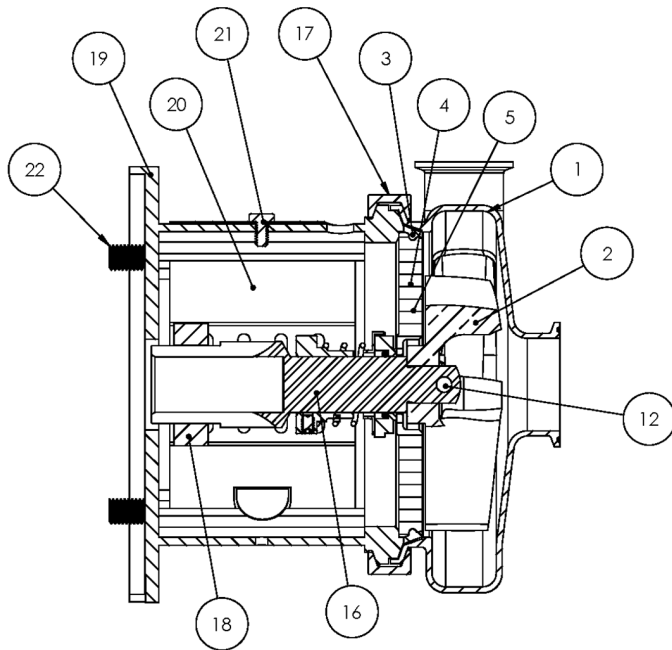
2	Impeller
15	Impeller Key
12	Impeller Nut
16	Stub Shaft
18	Shaft Collar
13	Impeller Nut Gasket
14	Impeller Gasket Back

**AC+ Conversion Kit**

*Optional Items Shown in ITALICS*

Ref #	Component Item No.	Description	Qty Per
1	<b>C+KIT-328/32</b>	<b>KIT,328,320TC,C+CONVRT,BUNA C</b>	<b>1</b>
	<i>C+KIT-328/32-E</i>	<i>KIT,328,320TC,C+CONVRT,EPDM C</i>	<i>1</i>
	<i>C+KIT-328/32-V</i>	<i>KIT,328,320TC,C+CONVRT,VIT C</i>	<i>1</i>

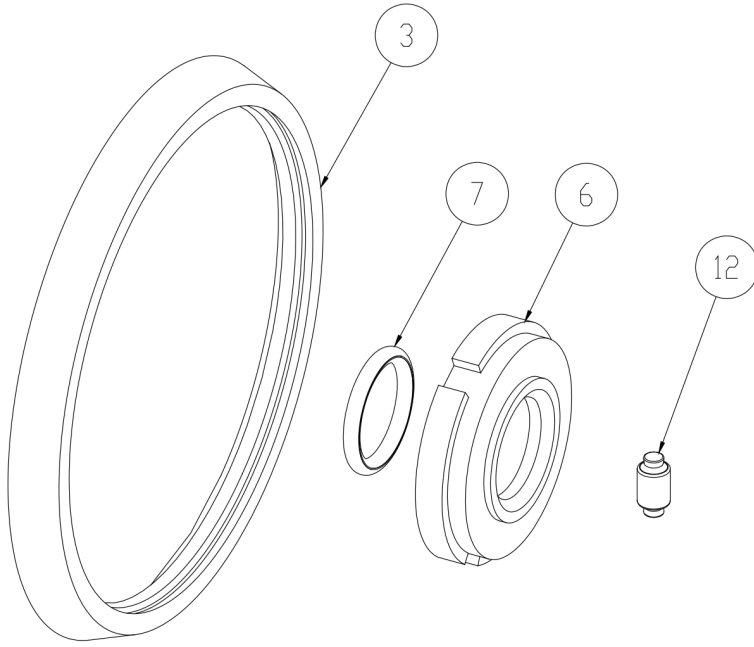




**Exploded View**

*Optional Items Shown in ITALICS*

Ref #	Component Item No.	Description	Qty Per
1	<b>S428M-01C-E</b>	<b>CASING,4X2,TRI-CLMP C428/C+428</b>	1
	<i>S428T-01C-E</i>	<i>CASING,4X2,BVL SEAT C428/C+428</i>	1
	<i>S428MI-01C-E</i>	<i>CASING,4X2,CLMP GLASS BEAD C428/C+428</i>	1
	<i>S428S-01C-E</i>	<i>CASING,4X2,NPT C428/C+428</i>	1
	<i>S428F-01D-E</i>	<i>CASING,4X2,FLNGD C428/C+428</i>	1
2	<b>S328-02C</b>	<b>IMPELLER,328/428 C UNIVERSAL</b>	1
3	<b>S328-90A-U</b>	<b>GASKET,218/328,CASING,BUNA C C+</b>	1
	<i>S328-90A-E</i>	<i>GASKET,218/328,CASING,EPDM C C+</i>	1
	<i>S328-90A-V</i>	<i>GASKET,218/328,CASING,VIT C C+</i>	1
4	<b>328D-11-316</b>	<b>BACKPLATE,D,218/328,+218/+328 C C+</b>	1
5	<b>216D-11-1-S</b>	<b>PIN,BACKPLT,114/216/328 C C+</b>	2
6	<b>328E-80-1A</b>	<b>SEAL,218/328,3218,CARBON C C+</b>	1
7	<b>S328-80-2-U</b>	<b>O-RING,218/328,SEAL,BUNA C C+</b>	1
	<i>S328-80-2-E</i>	<i>O-RING,218/328,SEAL,EPDM,2-222 C C+</i>	1
	<i>S328-80-2-V</i>	<i>O-RING,218/328,SEAL,VIT C C+</i>	1
8	<b>328D-80-3P</b>	<b>CUP,D,218/318/328/428 C C+</b>	1
9	<b>328D-80-4</b>	<b>SPRING,D,218/328/428,+3218 C C+ DB</b>	1
10	<b>SP328D-23P-S</b>	<b>COLLAR,D,218/328/+3218,DRIVE C C+</b>	1
11	<b>SC1105A-SS</b>	<b>SCREW,SET,DRV COLLR,1/4-20X3/8 -SS</b>	2
12	<b>328D-24B-316L</b>	<b>RETAINER,IMPLR</b>	1
16	<b>CS328E32TS-06</b>	<b>STUBSHAFT,320TSC,UNIVRSL C218/C328</b>	1
17	<b>S328-75AR-S</b>	<b>CLAMP,218/328,CASING C C+</b>	1
18	<b>SX18000027</b>	<b>COLLAR,280TC/320TSC,SHAFT LC</b>	1
19	<b>328D32TS-71C-SS</b>	<b>ADAPTER,320TSC FRAME,SS C218/C328/C+218/C+328</b>	1
20	<b>C328-28T-131-S</b>	<b>GUARD,SEAL,218/328/428/4410,SS C C+</b>	1
21	<b>GX5079600</b>	<b>CAPSCRW,HX,1/4-20X1/2,18-8SS HX HD</b>	1
22	<b>GX5076700</b>	<b>CAPSCRW,HX,5/8-11X1-1/2,18-8SS HX HD</b>	4

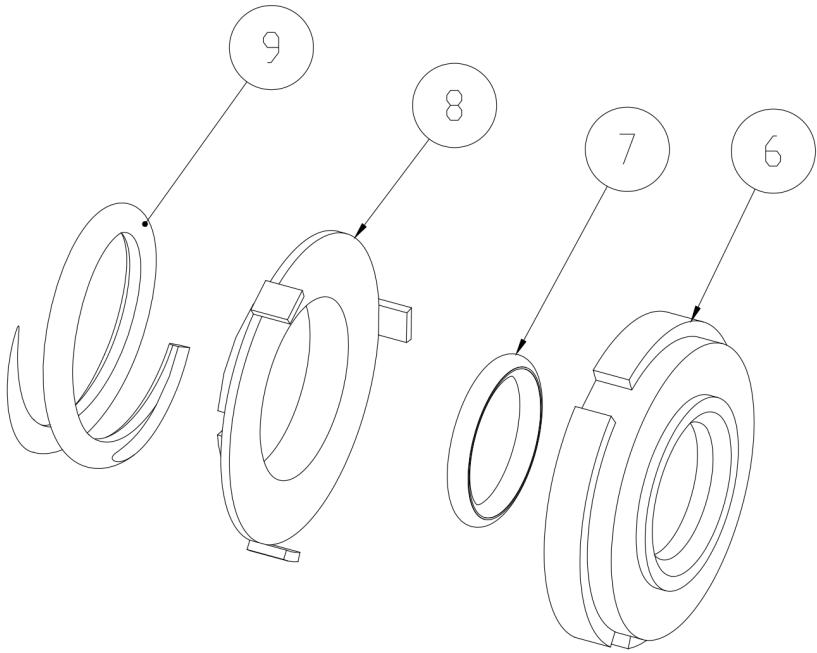


3	Casing Gasket
6	Seal Carbon
7	Seal O-Ring
12	Impeller Pin

**Seal Kit #1**

*Optional Items Shown in ITALICS*

Ref #	Component Item No.	Description	Qty Per
1	<b>KIT#1-C218-B</b>	<b>KIT,#1,218/328,SEAL,BUNA C</b>	<b>1</b>
	<i>KIT#1-C218-E</i>	<i>KIT,#1,SEAL,218/328,EPDM C</i>	<i>1</i>
	<i>KIT#1-C218-S</i>	<i>KIT,#1,SEAL,218/328,SFY,VIT C</i>	<i>1</i>

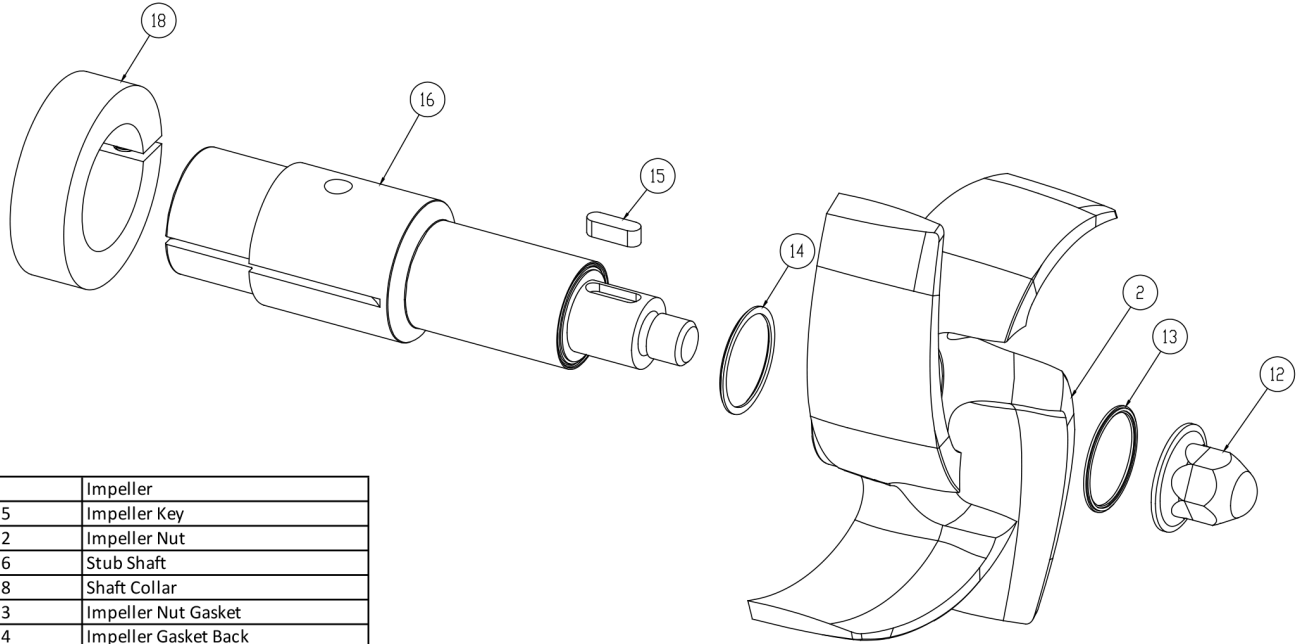


6	Seal Carbon
7	Seal O-Ring
8	Cup D Seal
9	Spring D Seal

**Seal Kit #3**

*Optional Items Shown in ITALICS*

Ref #	Component Item No.	Description	Qty Per
1	<b>KIT#3-C218-B</b>	<b>KIT,#3,218/328,SEAL,BUNA C</b>	<b>1</b>
	<i>KIT#3-C218-E</i>	<i>KIT,#3,SEAL,218/328,EPDM C</i>	<i>1</i>
	<i>KIT#3-C218-S</i>	<i>KIT,#3,SEAL,218/328,SFY,VIT C</i>	<i>1</i>

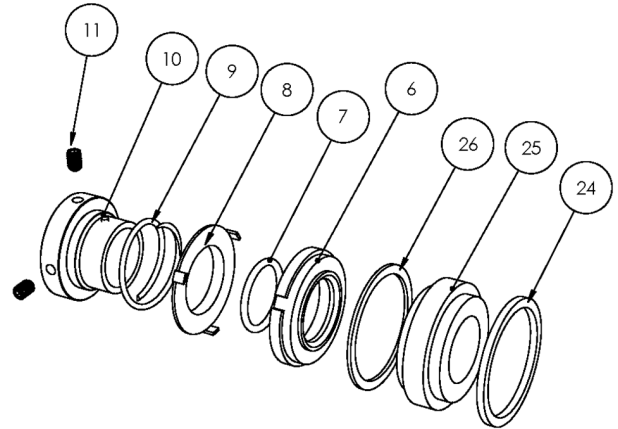
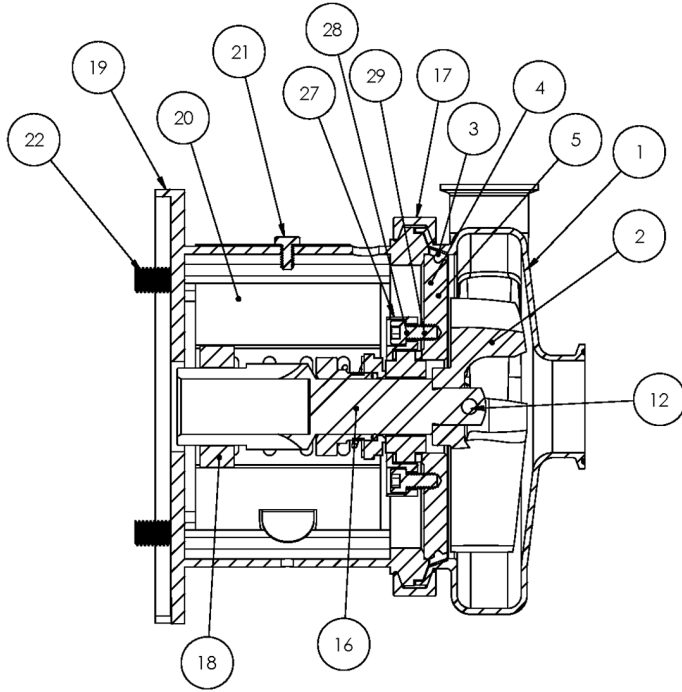


2	Impeller
15	Impeller Key
12	Impeller Nut
16	Stub Shaft
18	Shaft Collar
13	Impeller Nut Gasket
14	Impeller Gasket Back

**AC+ Conversion Kit**

*Optional Items Shown in ITALICS*

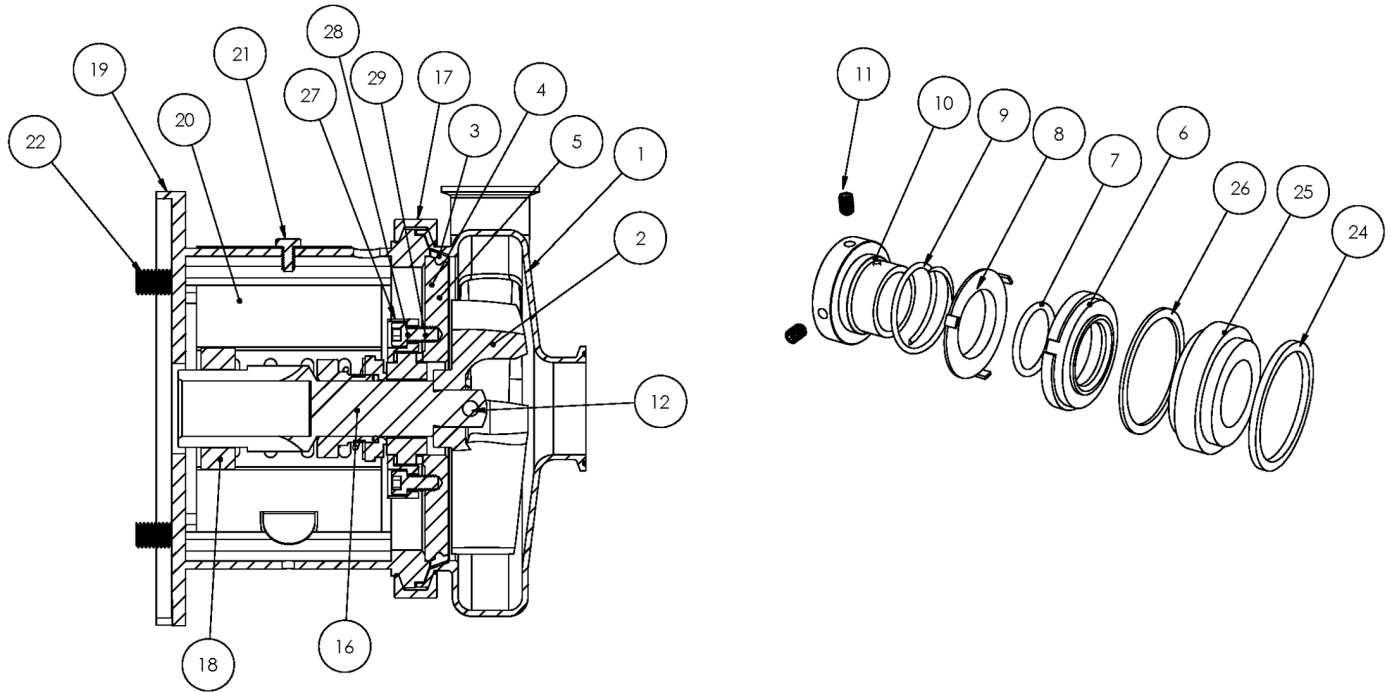
Ref #	Component Item No.	Description	Qty Per
1	<b>C+KIT-328/32TS</b>	<b>KIT,328,320TSC,C+CONVRT,BUNA C</b>	<b>1</b>
	<i>C+KIT-328/32TSE</i>	<i>KIT,328,320TSC,C+CONVRT,EPDM C</i>	<i>1</i>
	<i>C+KIT-328/32TSV</i>	<i>KIT,328,320TSC,C+CONVRT,VIT C</i>	<i>1</i>



**Exploded View**

*Optional Items Shown in ITALICS*

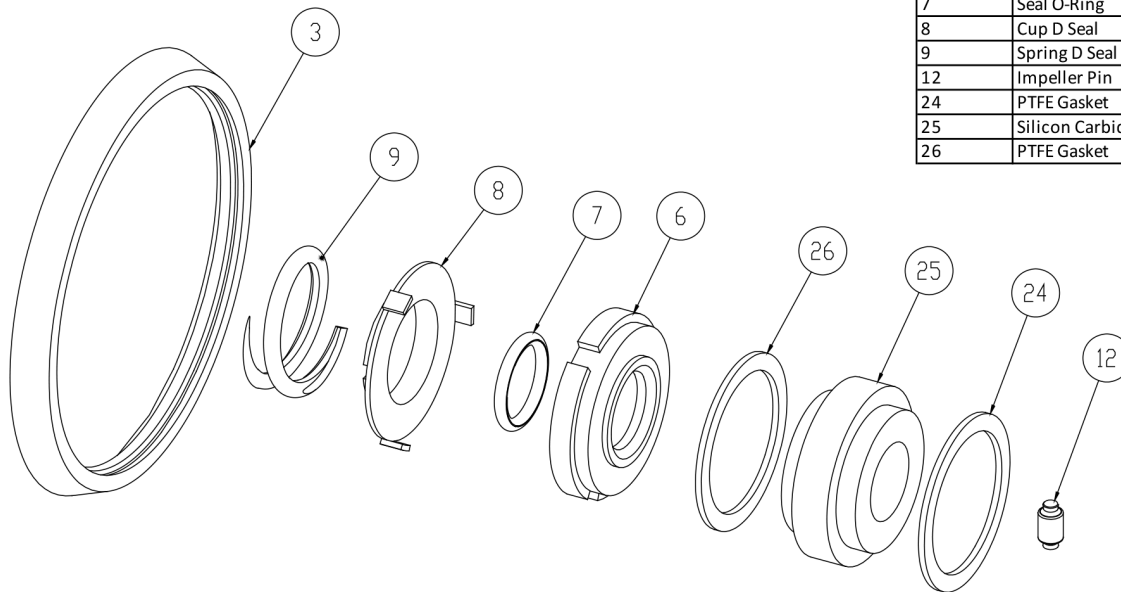
Ref #	Component Item No.	Description	Qty Per
1	<b>S428M-01C-E</b>	<b>CASING,4X2,TRI-CLMP C428/C+428</b>	1
	<i>S428T-01C-E</i>	<i>CASING,4X2,BVL SEAT C428/C+428</i>	1
	<i>S428MI-01C-E</i>	<i>CASING,4X2,CLMP GLASS BEAD C428/C+428</i>	1
	<i>S428S-01C-E</i>	<i>CASING,4X2,NPT C428/C+428</i>	1
	<i>S428F-01D-E</i>	<i>CASING,4X2,FLNGD C428/C+428</i>	1
2	<b>S328-02C</b>	<b>IMPELLER,328/428 C UNIVERSAL</b>	1
3	<b>S328-90A-U</b>	<b>GASKET,218/328,CASING,BUNA C C+</b>	1
	<i>S328-90A-E</i>	<i>GASKET,218/328,CASING,EPDM C C+</i>	1
	<i>S328-90A-V</i>	<i>GASKET,218/328,CASING,VIT C C+</i>	1
4	<b>SP328G-11-316L</b>	<b>BACKPLATE,DG,218/328 C C+</b>	1
5	<b>216D-11-1-S</b>	<b>PIN,BACKPLT,114/216/328 C C+</b>	2
6	<b>328E-80-1A</b>	<b>SEAL,218/328,3218,CARBON C C+</b>	1
	<i>328E-80-1SC</i>	<i>SEAL,328,RTRY,SILC CARB C C+</i>	1
7	<b>S328-80-2-U</b>	<b>O-RING,218/328,SEAL,BUNA C C+</b>	1
	<i>S328-80-2-E</i>	<i>O-RING,218/328,SEAL,EPDM,2-222 C C+</i>	1
	<i>S328-80-2-V</i>	<i>O-RING,218/328,SEAL,VIT C C+</i>	1
8	<b>328D-80-3P</b>	<b>CUP,D,218/318/328/428 C C+</b>	1
9	<b>328D-80-4</b>	<b>SPRING,D,218/328/428,+3218 C C+ DB</b>	1
10	<b>SP328D-23P-S</b>	<b>COLLAR,D,218/328/+3218,DRIVE C C+</b>	1
11	<b>SC1105A-SS</b>	<b>SCREW,SET,DRV COLLR,1/4-20X3/8 -SS</b>	2
12	<b>328D-24B-316L</b>	<b>RETAINER,IMPLR</b>	1
17	<b>S328-75AR-S</b>	<b>CLAMP,218/328,CASING C C+</b>	1
18	<b>SX18000014</b>	<b>COLLAR,180TC,SHAFT LC</b>	1
19	<b>328D18T-71C-SS</b>	<b>ADAPTER,180TC FRAME,SS C218/C328/C+218/C+328</b>	1
20	<b>C328-18T-131-S</b>	<b>GUARD,SEAL,21/318/328/428,SS C C+ IC+ 180TC</b>	1
21	<b>GX5079600</b>	<b>CAPSCRW,HX,1/4-20X1/2,18-8SS HX HD</b>	1
22	<b>SC1710H-SS</b>	<b>CAPSCRW,HX,1/2-13X1,18-8SS HX HD</b>	4



**Exploded View**

*Optional Items Shown in ITALICS*

Ref #	Component Item No.	Description	Qty Per
24	SP328G-80-12AG	GASKET,218/328,DG,THK,PTFE C C+	1
25	SP328G-80-11SC	SEAT,218/328,DG,SEAL,SILC CARB C C+	1
	<i>SP328G-80-11TC</i>	<i>SEAT,328,DG,SEAL,TUNG CARB C C+</i>	1
	<i>SP328G-80-11CER</i>	<i>SEAT,328,DG,SEAL,CERAMIC C C+</i>	1
26	SP328G-80-12G	GASKET,218/328,DG,THN,PTFE C C+	1
27	SP328G-17-316L	RING,218/328,GLAND,DG C C+	1
28	SC1310H-SS	CAPSCRW,HX,5/16-18X1-1/8,18-8S HX HD	4
29	LWA-1300-SS	WASHER,LOCK,5/16,18-8SS	4

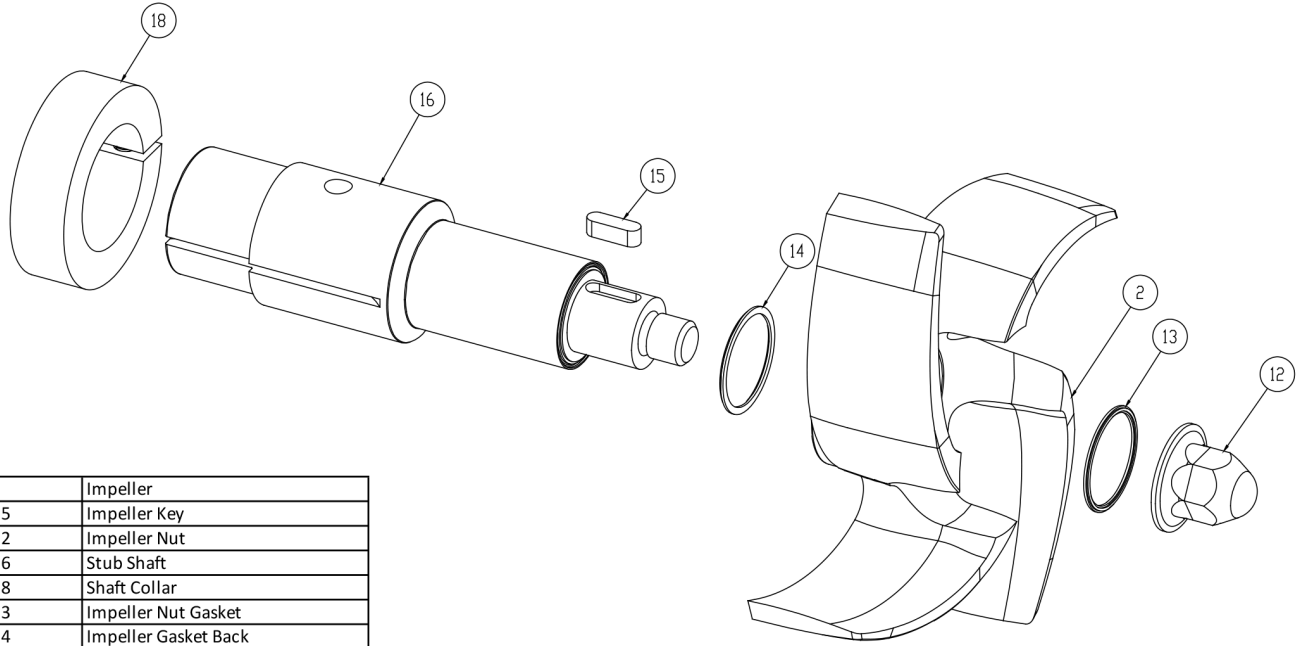


3	Casing Gasket
6	Seal Carbon
7	Seal O-Ring
8	Cup D Seal
9	Spring D Seal
12	Impeller Pin
24	PTFE Gasket
25	Silicon Carbide Seat
26	PTFE Gasket

**Seal Kit DG**

*Optional Items Shown in ITALICS*

Ref #	Component Item No.	Description	Qty Per
1	<b>KITDG-C218-B</b>	<b>KIT,218/328,DG,SEAL,BUNA C</b>	<b>1</b>
	<i>KITDG-C218-E</i>	<i>KIT,218/328,DG SEAL,EPDM C</i>	<i>1</i>
	<i>KITDG-C218-S</i>	<i>KIT,218/328,DG,SEAL,VIT C</i>	<i>1</i>



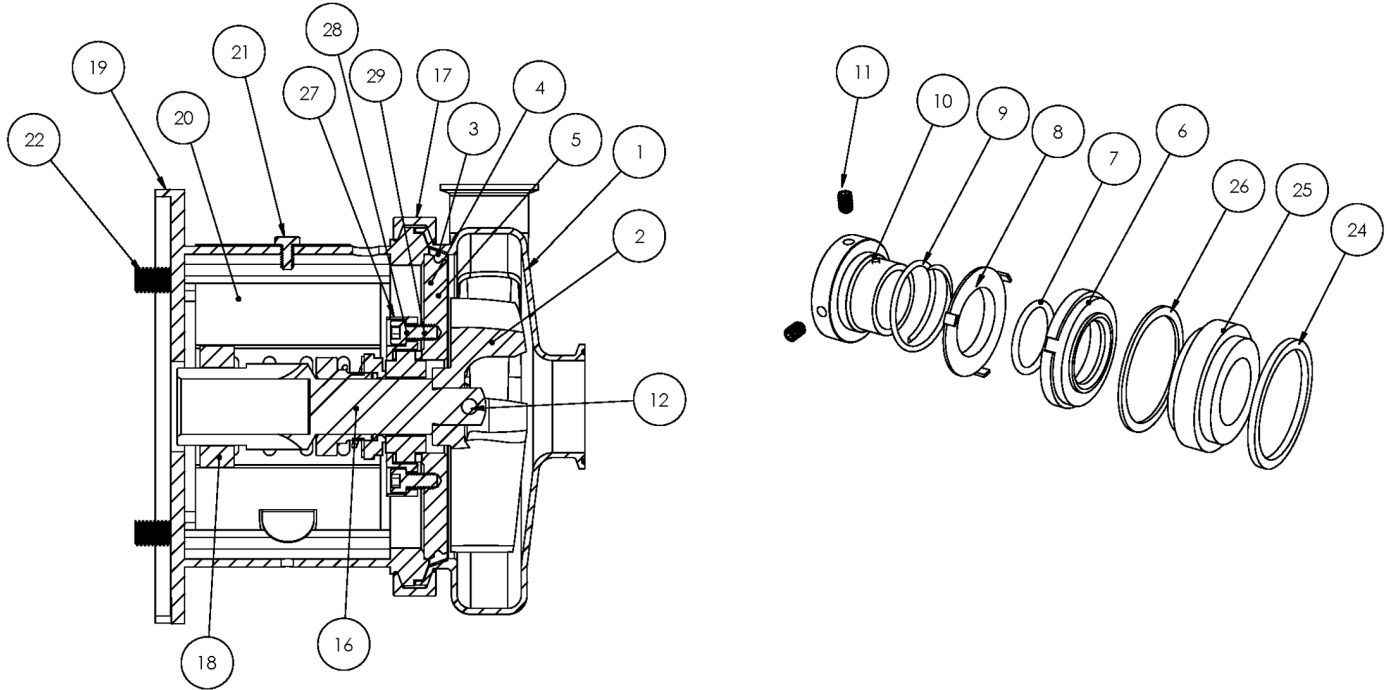
2	Impeller
15	Impeller Key
12	Impeller Nut
16	Stub Shaft
18	Shaft Collar
13	Impeller Nut Gasket
14	Impeller Gasket Back

**AC+ Conversion Kit**

*Optional Items Shown in ITALICS*

Ref #	Component Item No.	Description	Qty Per
1	<b>C+KIT-328/18</b>	<b>KIT,328,180TC,C+CONVRT,BUNA C</b>	<b>1</b>
	<i>C+KIT-328/18-E</i>	<i>KIT,328,180TC,C+CONVRT,EPDM C</i>	<i>1</i>
	<i>C+KIT-328/18-V</i>	<i>KIT,328,180TC,C+CONVRT,VIT C</i>	<i>1</i>

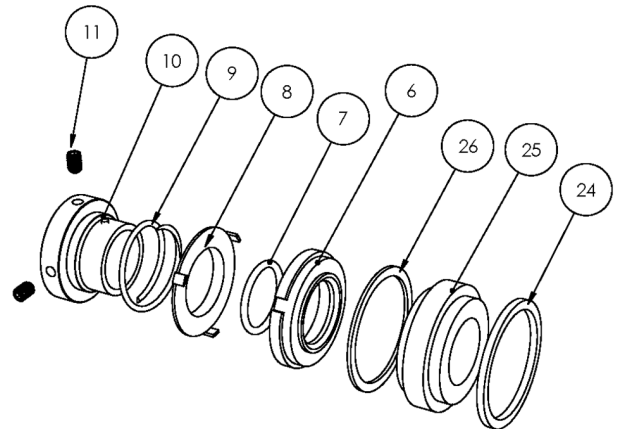
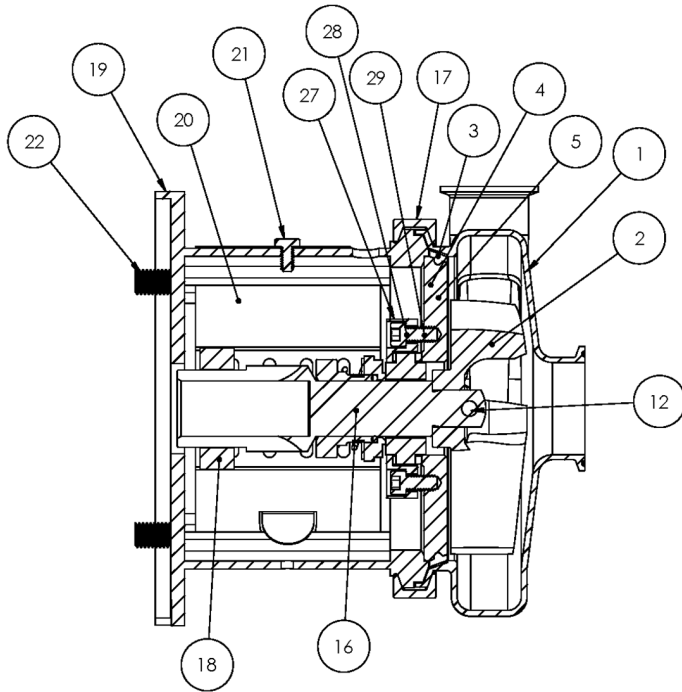




**Exploded View**

*Optional Items Shown in ITALICS*

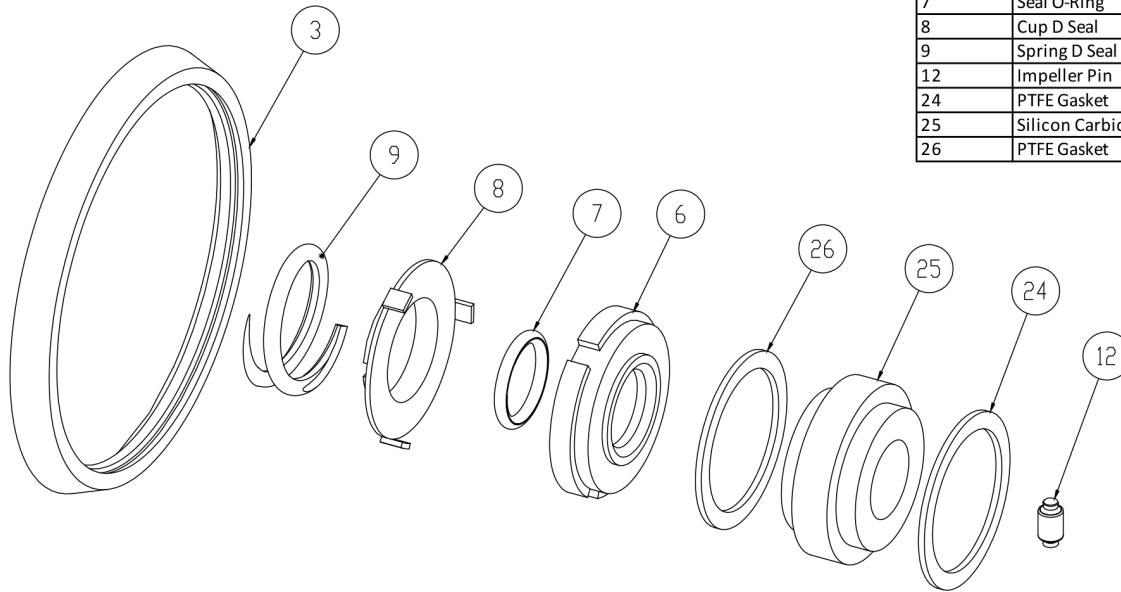
Ref #	Component Item No.	Description	Qty Per
1	<b>S428M-01C-E</b>	<b>CASING,4X2,TRI-CLMP C428/C+428</b>	1
	<i>S428T-01C-E</i>	<i>CASING,4X2,BVL SEAT C428/C+428</i>	1
	<i>S428MI-01C-E</i>	<i>CASING,4X2,CLMP GLASS BEAD C428/C+428</i>	1
	<i>S428S-01C-E</i>	<i>CASING,4X2,NPT C428/C+428</i>	1
	<i>S428F-01D-E</i>	<i>CASING,4X2,FLNGD C428/C+428</i>	1
2	<b>S328-02C</b>	<b>IMPELLER,328/428 C UNIVERSAL</b>	1
3	<b>S328-90A-U</b>	<b>GASKET,218/328,CASING,BUNA C C+</b>	1
	<i>S328-90A-E</i>	<i>GASKET,218/328,CASING,EPDM C C+</i>	1
	<i>S328-90A-V</i>	<i>GASKET,218/328,CASING,VIT C C+</i>	1
4	<b>SP328G-11-316L</b>	<b>BACKPLATE,DG,218/328 C C+</b>	1
5	<b>216D-11-1-S</b>	<b>PIN,BACKPLT,114/216/328 C C+</b>	2
6	<b>328E-80-1A</b>	<b>SEAL,218/328,3218,CARBON C C+</b>	1
	<i>328E-80-1SC</i>	<i>SEAL,328,RTRY,SILC CARB C C+</i>	1
7	<b>S328-80-2-U</b>	<b>O-RING,218/328,SEAL,BUNA C C+</b>	1
	<i>S328-80-2-E</i>	<i>O-RING,218/328,SEAL,EPDM,2-222 C C+</i>	1
	<i>S328-80-2-V</i>	<i>O-RING,218/328,SEAL,VIT C C+</i>	1
8	<b>328D-80-3P</b>	<b>CUP,D,218/318/328/428 C C+</b>	1
9	<b>328D-80-4</b>	<b>SPRING,D,218/328/428,+3218 C C+ DB</b>	1
10	<b>SP328D-23P-S</b>	<b>COLLAR,D,218/328/+3218,DRIVE C C+</b>	1
11	<b>SC1105A-SS</b>	<b>SCREW,SET,DRV COLLR,1/4-20X3/8 -SS</b>	2
12	<b>328D-24B-316L</b>	<b>RETAINER,IMPLR</b>	1
16	<b>CS328E21T-06</b>	<b>STUBSHAFT,210TC,UNIVRSL C218/C328</b>	1
17	<b>S328-75AR-S</b>	<b>CLAMP,218/328,CASING C C+</b>	1
18	<b>SX18000015</b>	<b>COLLAR,210TC,SHAFT LC</b>	1
19	<b>328D21T-71C-SS</b>	<b>ADAPTER,210TC FRAME,SS C218/C328/C+218/C+328</b>	1
20	<b>C328-21T-131-S</b>	<b>GUARD,SEAL,218/318/328/428,SS C C+ CB+ 210TC</b>	1
21	<b>GX5079600</b>	<b>CAPSCRW,HX,1/4-20X1/2,18-8SS HX HD</b>	1



**Exploded View**

*Optional Items Shown in ITALICS*

Ref #	Component Item No.	Description	Qty Per
22	SC1710H-SS	CAPSCRW,HX,1/2-13X1,18-8SS HX HD	4
24	SP328G-80-12AG	GASKET,218/328,DG,THK,PTFE C C+	1
25	SP328G-80-11SC	SEAT,218/328,DG,SEAL,SILC CARB C C+	1
	<i>SP328G-80-11TC</i>	<i>SEAT,328,DG,SEAL,TUNG CARB C C+</i>	1
	<i>SP328G-80-11CER</i>	<i>SEAT,328,DG,SEAL,CERAMIC C C+</i>	1
26	SP328G-80-12G	GASKET,218/328,DG,THN,PTFE C C+	1
27	SP328G-17-316L	RING,218/328,GLAND,DG C C+	1
28	SC1310H-SS	CAPSCRW,HX,5/16-18X1-1/8,18-8S HX HD	4
29	LWA-1300-SS	WASHER,LOCK,5/16,18-8SS	4

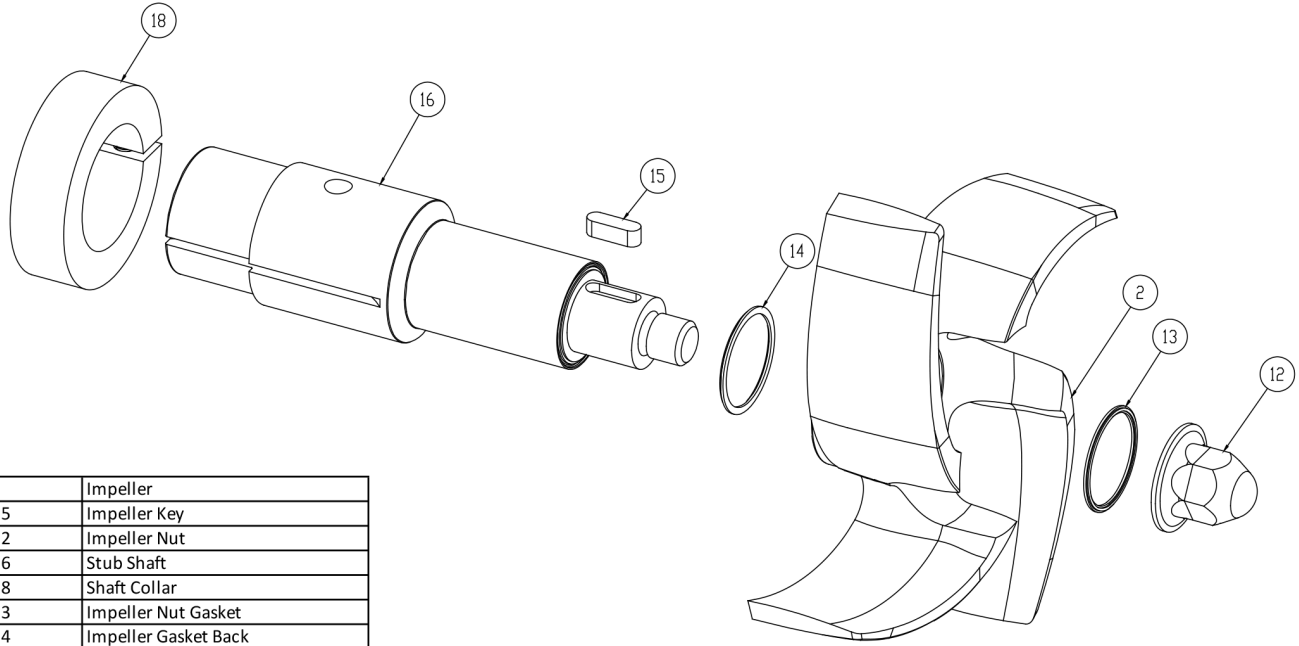


3	Casing Gasket
6	Seal Carbon
7	Seal O-Ring
8	Cup D Seal
9	Spring D Seal
12	Impeller Pin
24	PTFE Gasket
25	Silicon Carbide Seat
26	PTFE Gasket

**Seal Kit DG**

*Optional Items Shown in ITALICS*

Ref #	Component Item No.	Description	Qty Per
1	<b>KITDG-C218-B</b>	<b>KIT,218/328,DG,SEAL,BUNA C</b>	<b>1</b>
	<i>KITDG-C218-E</i>	<i>KIT,218/328,DG SEAL,EPDM C</i>	<i>1</i>
	<i>KITDG-C218-S</i>	<i>KIT,218/328,DG,SEAL,VIT C</i>	<i>1</i>

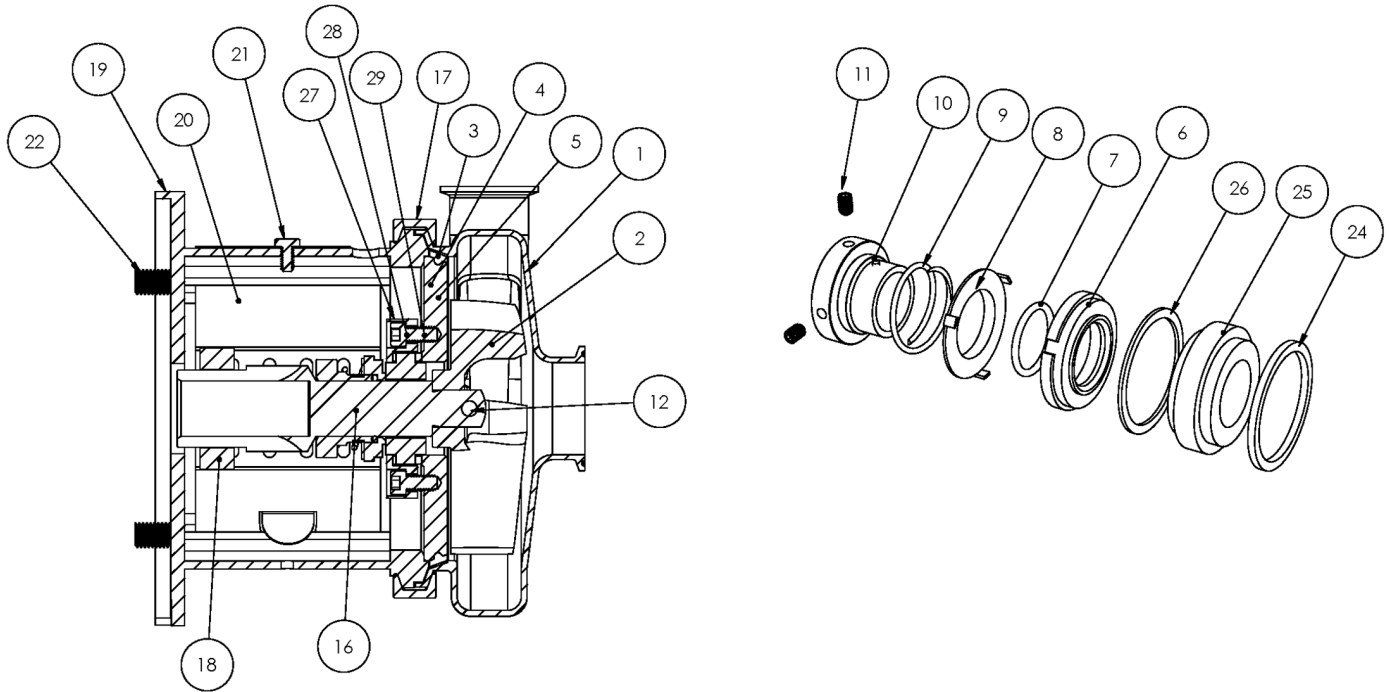


2	Impeller
15	Impeller Key
12	Impeller Nut
16	Stub Shaft
18	Shaft Collar
13	Impeller Nut Gasket
14	Impeller Gasket Back

**AC+ Conversion Kit**

*Optional Items Shown in ITALICS*

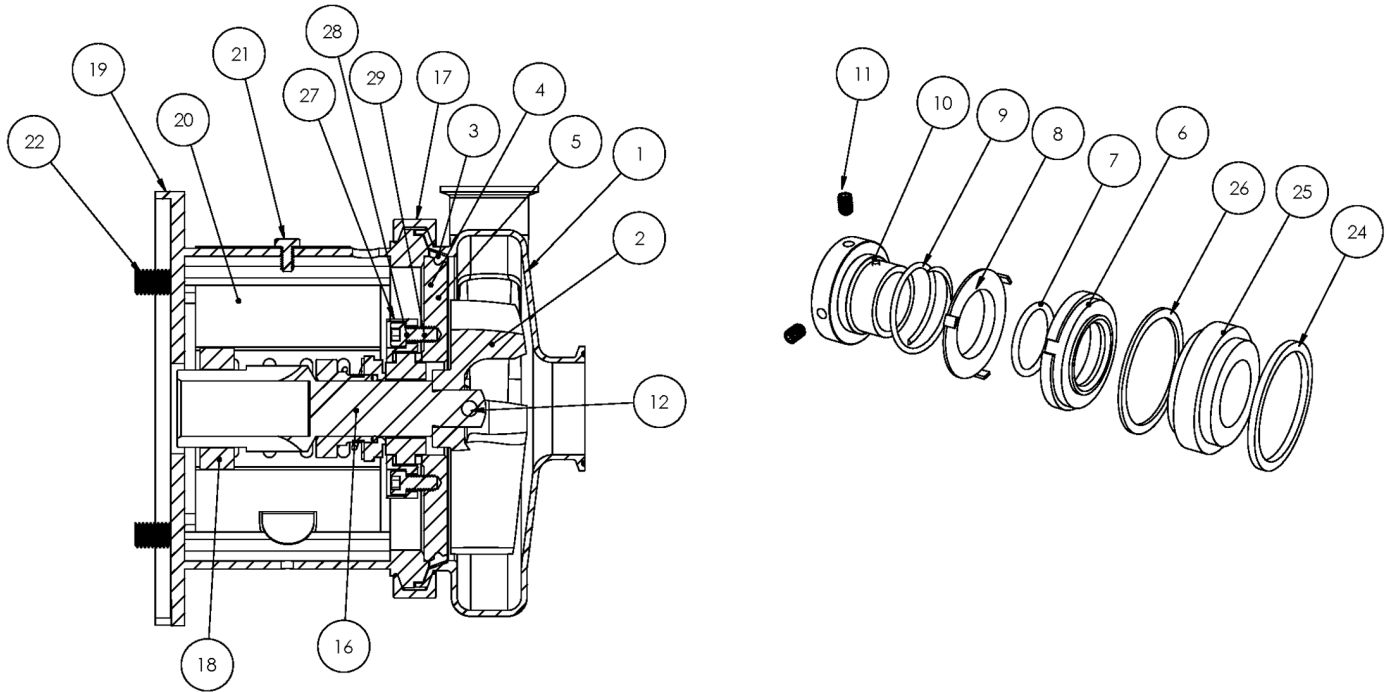
Ref #	Component Item No.	Description	Qty Per
1	<b>C+KIT-328/21</b>	<b>KIT,328,210TC,C+CONVRT,BUNA C</b>	<b>1</b>
	<i>C+KIT-328/21-E</i>	<i>KIT,328,210TC,C+CONVRT,EPDM C</i>	<i>1</i>
	<i>C+KIT-328/21-V</i>	<i>KIT,328,210TC,C+CONVRT,VIT C</i>	<i>1</i>



**Exploded View**

*Optional Items Shown in ITALICS*

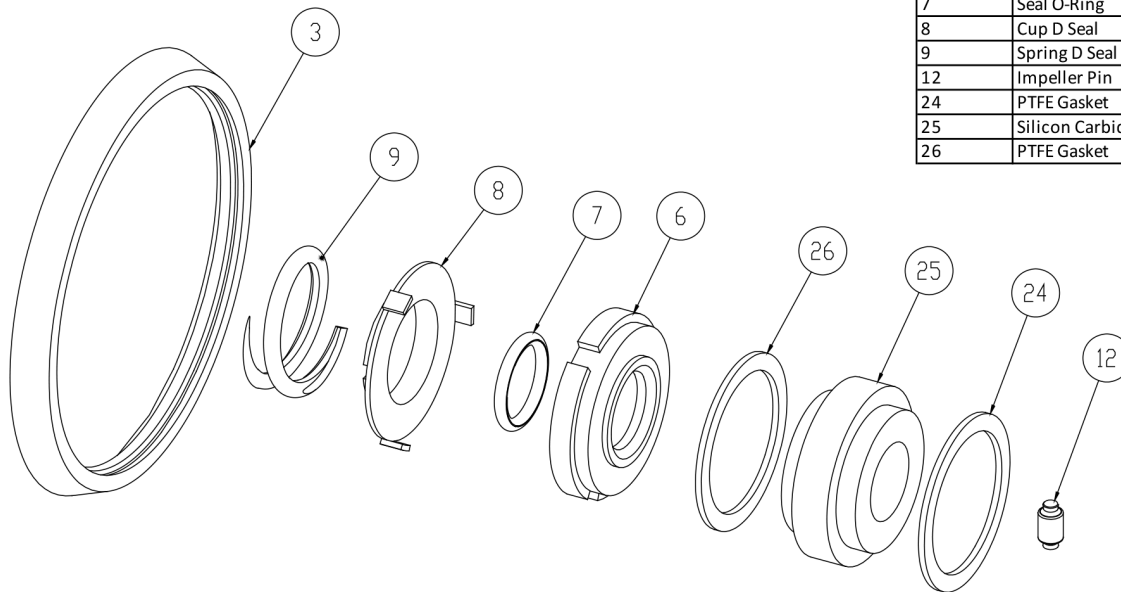
Ref #	Component Item No.	Description	Qty Per
1	<b>S428M-01C-E</b>	<b>CASING,4X2,TRI-CLMP C428/C+428</b>	1
	<i>S428T-01C-E</i>	<i>CASING,4X2,BVL SEAT C428/C+428</i>	1
	<i>S428MI-01C-E</i>	<i>CASING,4X2,CLMP GLASS BEAD C428/C+428</i>	1
	<i>S428S-01C-E</i>	<i>CASING,4X2,NPT C428/C+428</i>	1
	<i>S428F-01D-E</i>	<i>CASING,4X2,FLNGD C428/C+428</i>	1
2	<b>S328-02C</b>	<b>IMPELLER,328/428 C UNIVERSAL</b>	1
3	<b>S328-90A-U</b>	<b>GASKET,218/328,CASING,BUNA C C+</b>	1
	<i>S328-90A-E</i>	<i>GASKET,218/328,CASING,EPDM C C+</i>	1
	<i>S328-90A-V</i>	<i>GASKET,218/328,CASING,VIT C C+</i>	1
4	<b>SP328G-11-316L</b>	<b>BACKPLATE,DG,218/328 C C+</b>	1
5	<b>216D-11-1-S</b>	<b>PIN,BACKPLT,114/216/328 C C+</b>	2
6	<b>328E-80-1A</b>	<b>SEAL,218/328,3218,CARBON C C+</b>	1
	<i>328E-80-1SC</i>	<i>SEAL,328,RTRY,SILC CARB C C+</i>	1
7	<b>S328-80-2-U</b>	<b>O-RING,218/328,SEAL,BUNA C C+</b>	1
	<i>S328-80-2-E</i>	<i>O-RING,218/328,SEAL,EPDM,2-222 C C+</i>	1
	<i>S328-80-2-V</i>	<i>O-RING,218/328,SEAL,VIT C C+</i>	1
8	<b>328D-80-3P</b>	<b>CUP,D,218/318/328/428 C C+</b>	1
9	<b>328D-80-4</b>	<b>SPRING,D,218/328/428,+3218 C C+ DB</b>	1
10	<b>SP328D-23P-S</b>	<b>COLLAR,D,218/328/+3218,DRIVE C C+</b>	1
11	<b>SC1105A-SS</b>	<b>SCREW,SET,DRV COLLR,1/4-20X3/8 -SS</b>	2
12	<b>328D-24B-316L</b>	<b>RETAINER,IMPLR</b>	1
16	<b>CS328E25T-06</b>	<b>STUBSHAFT,250TC,UNIVRSL C218/C328</b>	1
17	<b>S328-75AR-S</b>	<b>CLAMP,218/328,CASING C C+</b>	1
18	<b>SX18000016</b>	<b>COLLAR,250TC/280TSC,SHAFT LC</b>	1
19	<b>328D25T-71C-SS</b>	<b>ADAPTER,250TC FRAME,SS C218/C328/C+218/C+328</b>	1
20	<b>C328-25T-131-S</b>	<b>GUARD,SEAL,218/328/428,SS C C+ CB+ 250TC</b>	1
21	<b>GX5079600</b>	<b>CAPSCRW,HX,1/4-20X1/2,18-8SS HX HD</b>	1



**Exploded View**

*Optional Items Shown in ITALICS*

Ref #	Component Item No.	Description	Qty Per
22	SC1710H-SS	CAPSCRW,HX,1/2-13X1,18-8SS HX HD	4
24	SP328G-80-12AG	GASKET,218/328,DG,THK,PTFE C C+	1
25	SP328G-80-11SC	SEAT,218/328,DG,SEAL,SILC CARB C C+	1
	<i>SP328G-80-11TC</i>	<i>SEAT,328,DG,SEAL,TUNG CARB C C+</i>	1
	<i>SP328G-80-11CER</i>	<i>SEAT,328,DG,SEAL,CERAMIC C C+</i>	1
26	SP328G-80-12G	GASKET,218/328,DG,THN,PTFE C C+	1
27	SP328G-17-316L	RING,218/328,GLAND,DG C C+	1
28	SC1310H-SS	CAPSCRW,HX,5/16-18X1-1/8,18-8S HX HD	4
29	LWA-1300-SS	WASHER,LOCK,5/16,18-8SS	4

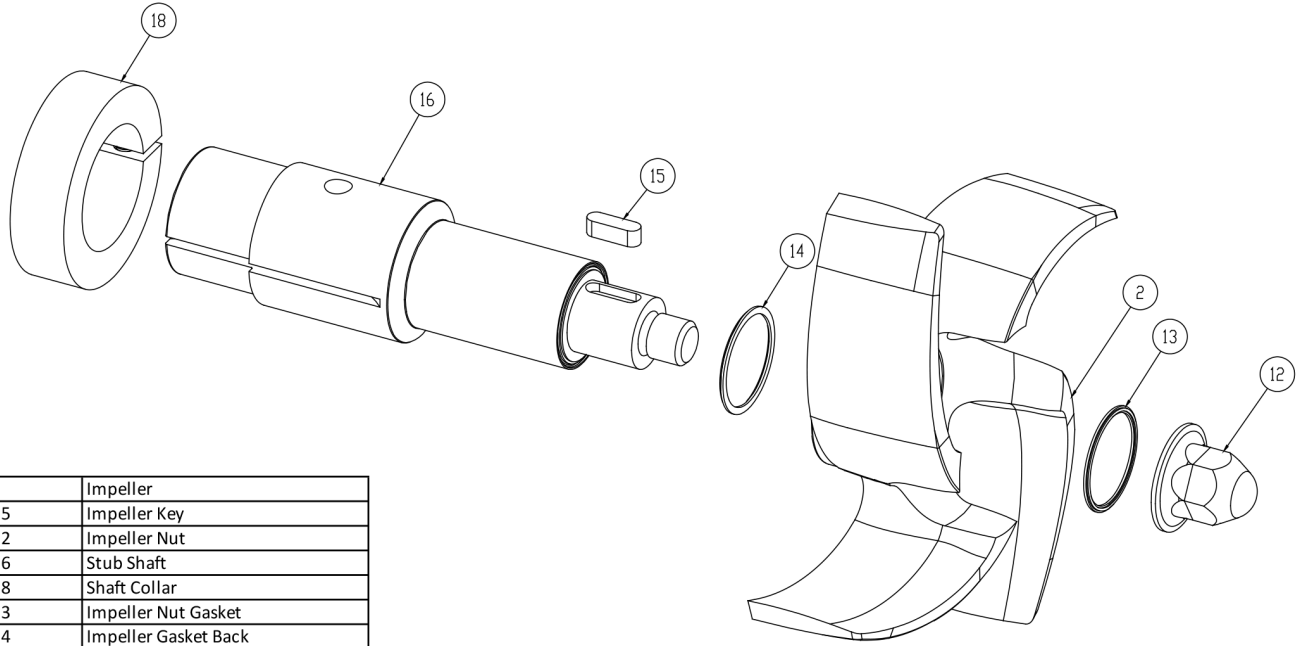


3	Casing Gasket
6	Seal Carbon
7	Seal O-Ring
8	Cup D Seal
9	Spring D Seal
12	Impeller Pin
24	PTFE Gasket
25	Silicon Carbide Seat
26	PTFE Gasket

**Seal Kit DG**

*Optional Items Shown in ITALICS*

Ref #	Component Item No.	Description	Qty Per
1	<b>KITDG-C218-B</b>	<b>KIT,218/328,DG,SEAL,BUNA C</b>	<b>1</b>
	<i>KITDG-C218-E</i>	<i>KIT,218/328,DG SEAL,EPDM C</i>	<i>1</i>
	<i>KITDG-C218-S</i>	<i>KIT,218/328,DG,SEAL,VIT C</i>	<i>1</i>



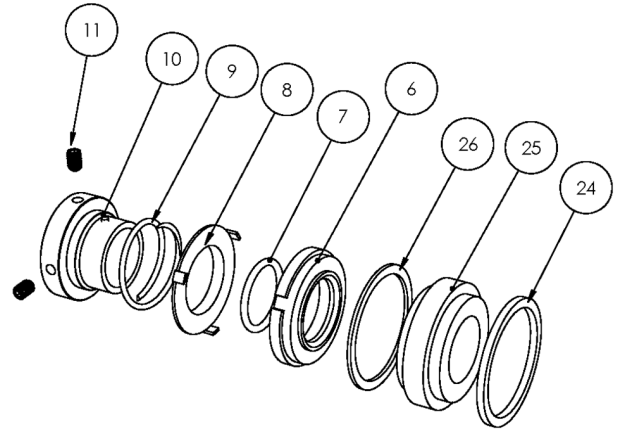
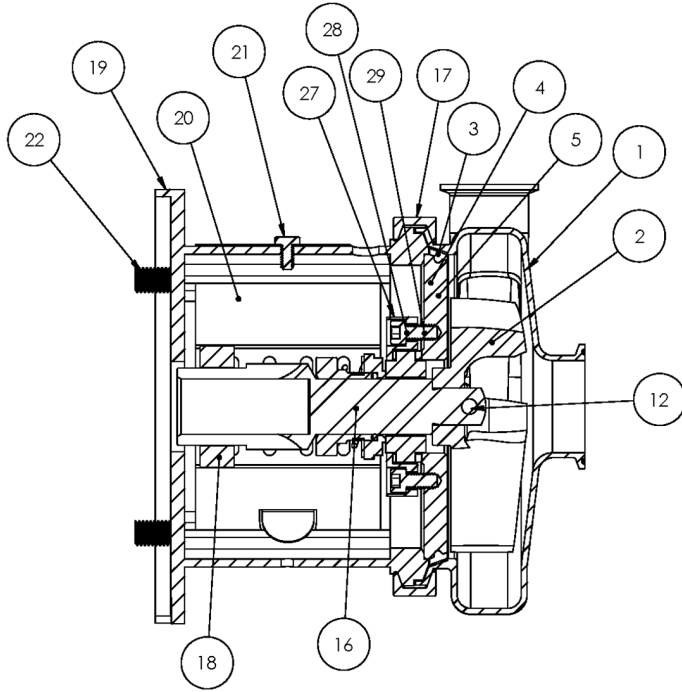
2	Impeller
15	Impeller Key
12	Impeller Nut
16	Stub Shaft
18	Shaft Collar
13	Impeller Nut Gasket
14	Impeller Gasket Back

**AC+ Conversion Kit**

*Optional Items Shown in ITALICS*

Ref #	Component Item No.	Description	Qty Per
1	<b>C+KIT-328/25</b>	<b>KIT,328,250TC,C+CONVRT,BUNA C</b>	<b>1</b>
	<i>C+KIT-328/25-E</i>	<i>KIT,328,250TC,C+CONVRT,EPDM C</i>	<i>1</i>
	<i>C+KIT-328/25-V</i>	<i>KIT,328,250TC,C+CONVRT,VIT C</i>	<i>1</i>

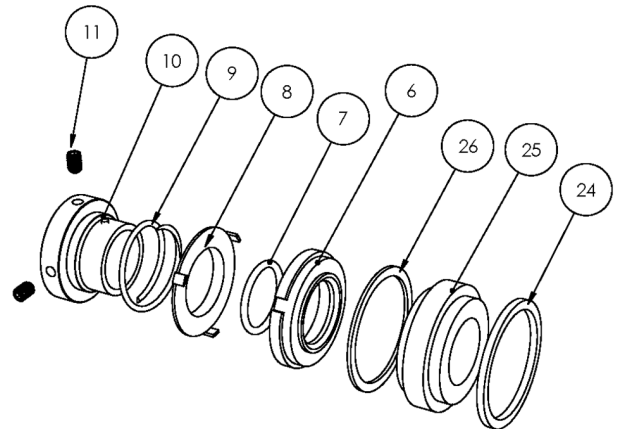
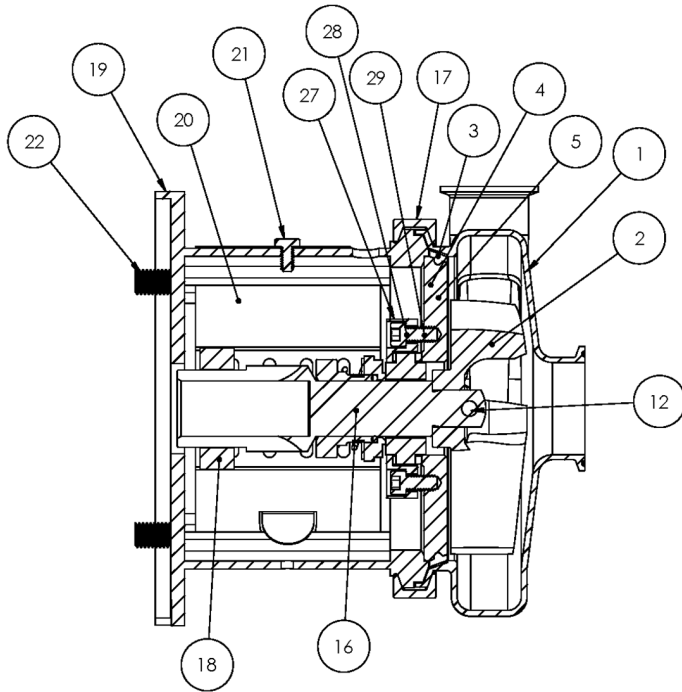




**Exploded View**

*Optional Items Shown in ITALICS*

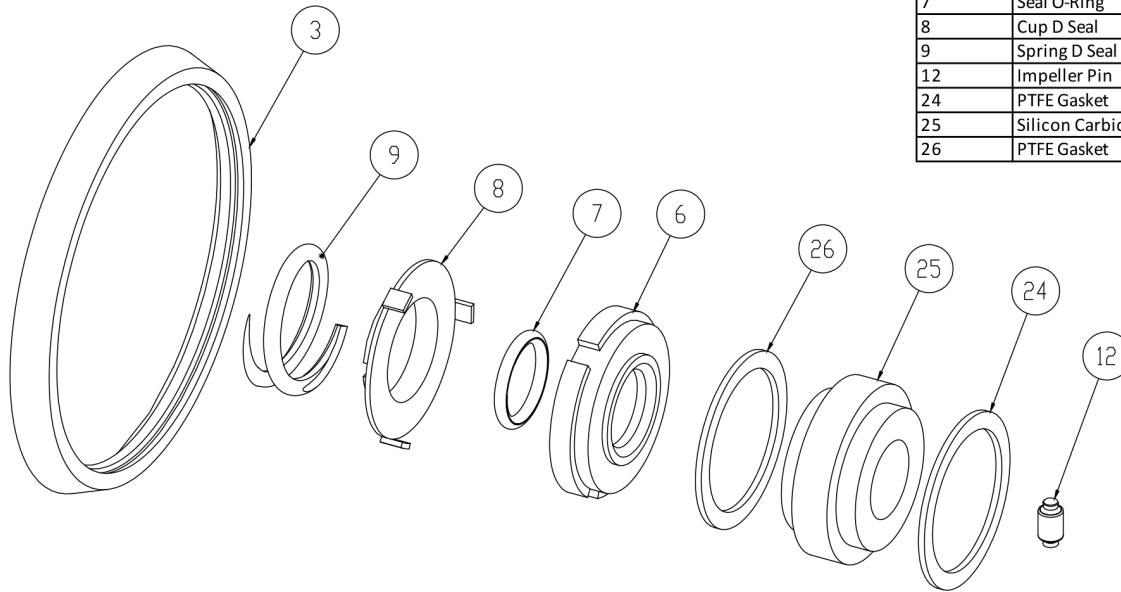
Ref #	Component Item No.	Description	Qty Per
1	<b>S428M-01C-E</b>	<b>CASING,4X2,TRI-CLMP C428/C+428</b>	1
	<i>S428T-01C-E</i>	<i>CASING,4X2,BVL SEAT C428/C+428</i>	1
	<i>S428MI-01C-E</i>	<i>CASING,4X2,CLMP GLASS BEAD C428/C+428</i>	1
	<i>S428S-01C-E</i>	<i>CASING,4X2,NPT C428/C+428</i>	1
	<i>S428F-01D-E</i>	<i>CASING,4X2,FLNGD C428/C+428</i>	1
2	<b>S328-02C</b>	<b>IMPELLER,328/428 C UNIVERSAL</b>	1
3	<b>S328-90A-U</b>	<b>GASKET,218/328,CASING,BUNA C C+</b>	1
	<i>S328-90A-E</i>	<i>GASKET,218/328,CASING,EPDM C C+</i>	1
	<i>S328-90A-V</i>	<i>GASKET,218/328,CASING,VIT C C+</i>	1
4	<b>SP328G-11-316L</b>	<b>BACKPLATE,DG,218/328 C C+</b>	1
5	<b>216D-11-1-S</b>	<b>PIN,BACKPLT,114/216/328 C C+</b>	2
6	<b>328E-80-1A</b>	<b>SEAL,218/328,3218,CARBON C C+</b>	1
	<i>328E-80-1SC</i>	<i>SEAL,328,RTRY,SILC CARB C C+</i>	1
7	<b>S328-80-2-U</b>	<b>O-RING,218/328,SEAL,BUNA C C+</b>	1
	<i>S328-80-2-E</i>	<i>O-RING,218/328,SEAL,EPDM,2-222 C C+</i>	1
	<i>S328-80-2-V</i>	<i>O-RING,218/328,SEAL,VIT C C+</i>	1
8	<b>328D-80-3P</b>	<b>CUP,D,218/318/328/428 C C+</b>	1
9	<b>328D-80-4</b>	<b>SPRING,D,218/328/428,+3218 C C+ DB</b>	1
10	<b>SP328D-23P-S</b>	<b>COLLAR,D,218/328/+3218,DRIVE C C+</b>	1
11	<b>SC1105A-SS</b>	<b>SCREW,SET,DRV COLLR,1/4-20X3/8 -SS</b>	2
12	<b>328D-24B-316L</b>	<b>RETAINER,IMPLR</b>	1
16	<b>CS328E28T-06</b>	<b>STUBSHAFT,280TC,UNIVRSL C218/C328</b>	1
17	<b>S328-75AR-S</b>	<b>CLAMP,218/328,CASING C C+</b>	1
18	<b>SX18000027</b>	<b>COLLAR,280TC/320TSC,SHAFT LC</b>	1
19	<b>328D28T-71C-SS</b>	<b>ADAPTER,280TC/TSC FRAME,SS C218/C328/C+218/C+328</b>	1
20	<b>C328-28T-131-S</b>	<b>GUARD,SEAL,218/328/428/4410,SS C C+</b>	1
21	<b>GX5079600</b>	<b>CAPSCRW,HX,1/4-20X1/2,18-8SS HX HD</b>	1



**Exploded View**

*Optional Items Shown in ITALICS*

Ref #	Component Item No.	Description	Qty Per
22	SC1710H-SS	CAPSCRW,HX,1/2-13X1,18-8SS HX HD	4
24	SP328G-80-12AG	GASKET,218/328,DG,THK,PTFE C C+	1
25	SP328G-80-11SC	SEAT,218/328,DG,SEAL,SILC CARB C C+	1
	<i>SP328G-80-11TC</i>	<i>SEAT,328,DG,SEAL,TUNG CARB C C+</i>	1
	<i>SP328G-80-11CER</i>	<i>SEAT,328,DG,SEAL,CERAMIC C C+</i>	1
26	SP328G-80-12G	GASKET,218/328,DG,THN,PTFE C C+	1
27	SP328G-17-316L	RING,218/328,GLAND,DG C C+	1
28	SC1310H-SS	CAPSCRW,HX,5/16-18X1-1/8,18-8S HX HD	4
29	LWA-1300-SS	WASHER,LOCK,5/16,18-8SS	4

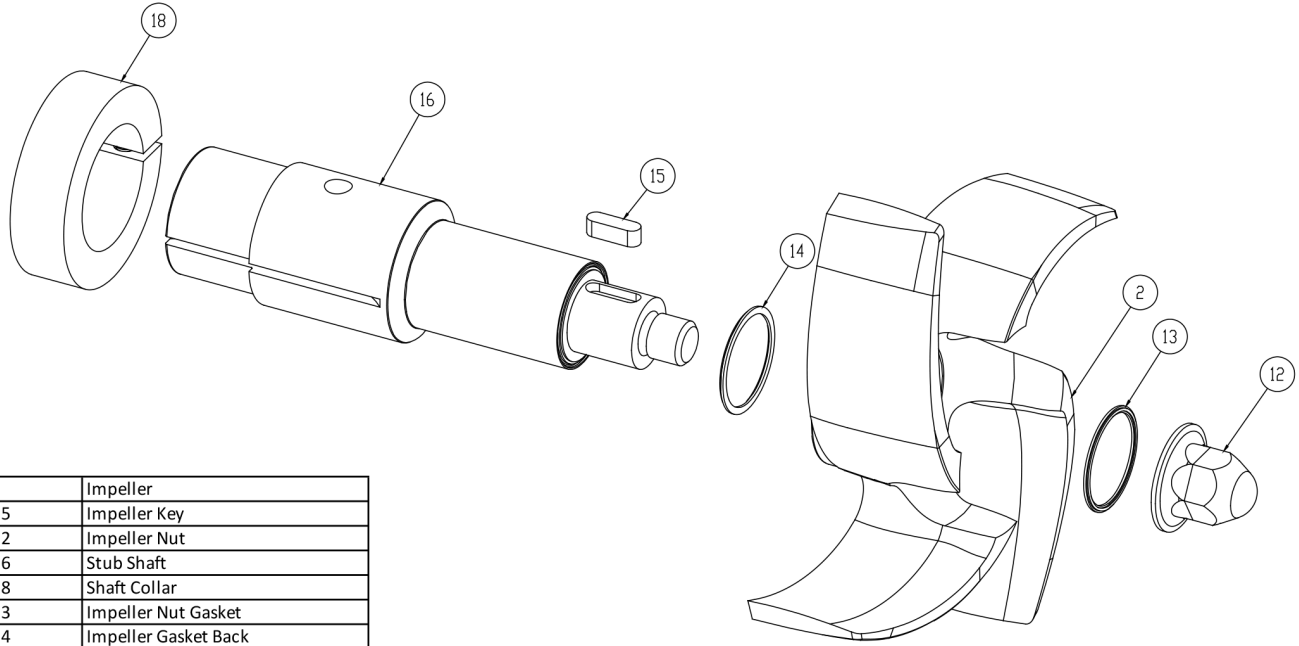


3	Casing Gasket
6	Seal Carbon
7	Seal O-Ring
8	Cup D Seal
9	Spring D Seal
12	Impeller Pin
24	PTFE Gasket
25	Silicon Carbide Seat
26	PTFE Gasket

**Seal Kit DG**

*Optional Items Shown in ITALICS*

Ref #	Component Item No.	Description	Qty Per
1	<b>KITDG-C218-B</b>	<b>KIT,218/328,DG,SEAL,BUNA C</b>	<b>1</b>
	<i>KITDG-C218-E</i>	<i>KIT,218/328,DG SEAL,EPDM C</i>	<i>1</i>
	<i>KITDG-C218-S</i>	<i>KIT,218/328,DG,SEAL,VIT C</i>	<i>1</i>

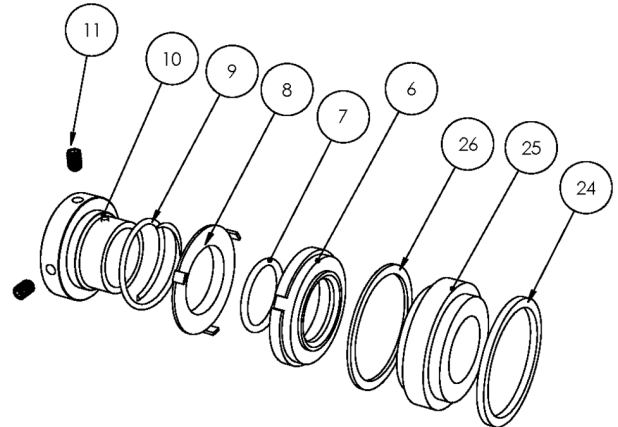
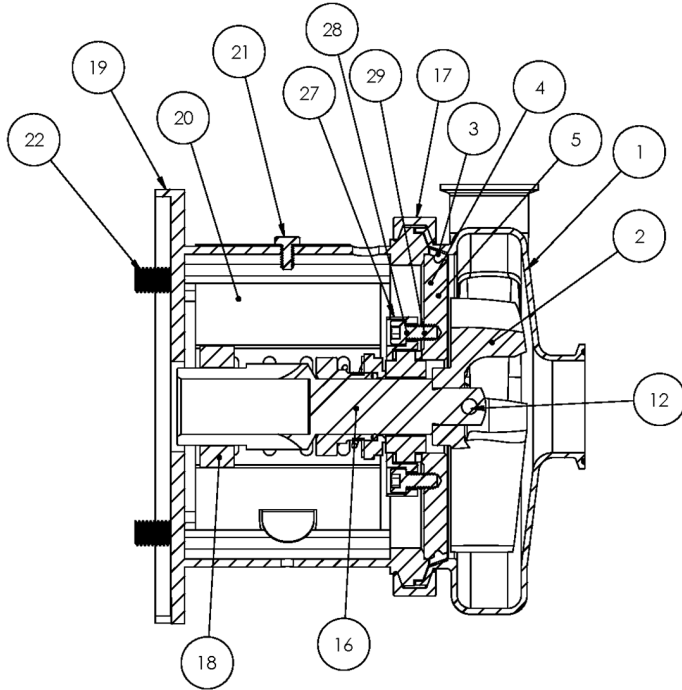


2	Impeller
15	Impeller Key
12	Impeller Nut
16	Stub Shaft
18	Shaft Collar
13	Impeller Nut Gasket
14	Impeller Gasket Back

**AC+ Conversion Kit**

*Optional Items Shown in ITALICS*

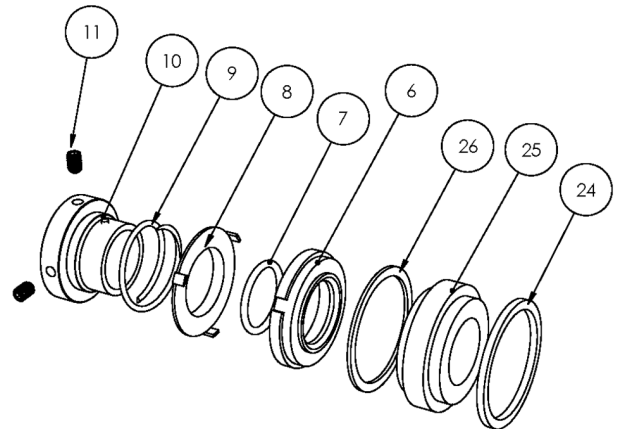
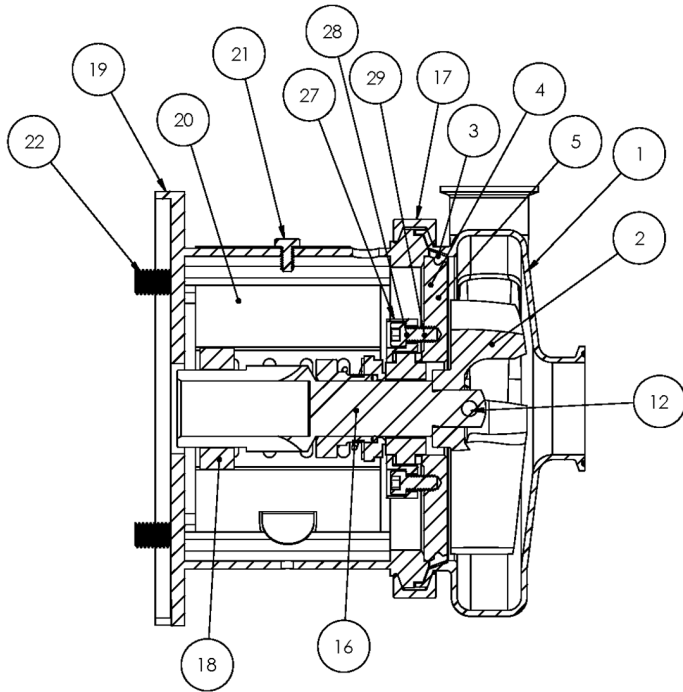
Ref #	Component Item No.	Description	Qty Per
1	<b>C+KIT-328/28</b>	<b>KIT,328,280TC,C+CONVRT,BUNA C</b>	<b>1</b>
	<i>C+KIT-328/28-E</i>	<i>KIT,328,280TC,C+CONVRT,EPDM C</i>	<i>1</i>
	<i>C+KIT-328/28-V</i>	<i>KIT,328,280TC,C+CONVRT,VIT C</i>	<i>1</i>



**Exploded View**

*Optional Items Shown in ITALICS*

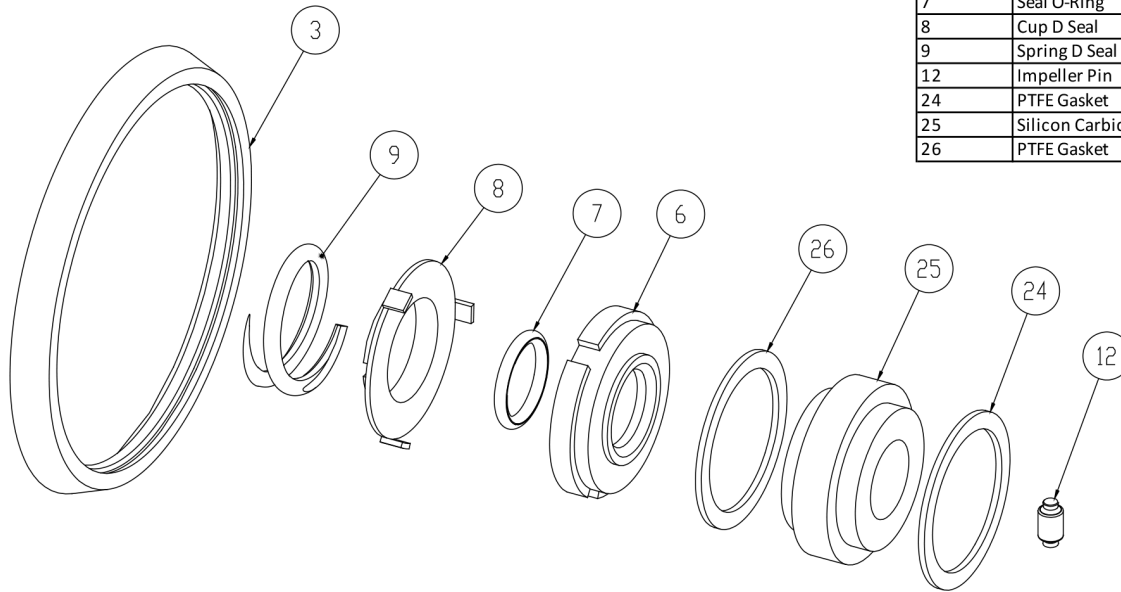
Ref #	Component Item No.	Description	Qty Per
1	<b>S428M-01C-E</b>	<b>CASING,4X2,TRI-CLMP C428/C+428</b>	1
	<i>S428T-01C-E</i>	<i>CASING,4X2,BVL SEAT C428/C+428</i>	1
	<i>S428MI-01C-E</i>	<i>CASING,4X2,CLMP GLASS BEAD C428/C+428</i>	1
	<i>S428S-01C-E</i>	<i>CASING,4X2,NPT C428/C+428</i>	1
	<i>S428F-01D-E</i>	<i>CASING,4X2,FLNGD C428/C+428</i>	1
2	<b>S328-02C</b>	<b>IMPELLER,328/428 C UNIVERSAL</b>	1
3	<b>S328-90A-U</b>	<b>GASKET,218/328,CASING,BUNA C C+</b>	1
	<i>S328-90A-E</i>	<i>GASKET,218/328,CASING,EPDM C C+</i>	1
	<i>S328-90A-V</i>	<i>GASKET,218/328,CASING,VIT C C+</i>	1
4	<b>SP328G-11-316L</b>	<b>BACKPLATE,DG,218/328 C C+</b>	1
5	<b>216D-11-1-S</b>	<b>PIN,BACKPLT,114/216/328 C C+</b>	2
6	<b>328E-80-1A</b>	<b>SEAL,218/328,3218,CARBON C C+</b>	1
	<i>328E-80-1SC</i>	<i>SEAL,328,RTRY,SILC CARB C C+</i>	1
7	<b>S328-80-2-U</b>	<b>O-RING,218/328,SEAL,BUNA C C+</b>	1
	<i>S328-80-2-E</i>	<i>O-RING,218/328,SEAL,EPDM,2-222 C C+</i>	1
	<i>S328-80-2-V</i>	<i>O-RING,218/328,SEAL,VIT C C+</i>	1
8	<b>328D-80-3P</b>	<b>CUP,D,218/318/328/428 C C+</b>	1
9	<b>328D-80-4</b>	<b>SPRING,D,218/328/428,+3218 C C+ DB</b>	1
10	<b>SP328D-23P-S</b>	<b>COLLAR,D,218/328/+3218,DRIVE C C+</b>	1
11	<b>SC1105A-SS</b>	<b>SCREW,SET,DRV COLLR,1/4-20X3/8 -SS</b>	2
12	<b>328D-24B-316L</b>	<b>RETAINER,IMPLR</b>	1
16	<b>CS328E28TS-06</b>	<b>STUBSHAFT,280TSC,UNIVRSL C218/C328</b>	1
17	<b>S328-75AR-S</b>	<b>CLAMP,218/328,CASING C C+</b>	1
18	<b>SX18000035</b>	<b>COLLAR,250TC/280TSC,SHAFT LC</b>	1
19	<b>328D28T-71C-SS</b>	<b>ADAPTER,280TC/TSC FRAME,SS C218/C328/C+218/C+328</b>	1
20	<b>C328-28T-131-S</b>	<b>GUARD,SEAL,218/328/428/4410,SS C C+</b>	1
21	<b>GX5079600</b>	<b>CAPSCRW,HX,1/4-20X1/2,18-8SS HX HD</b>	1



**Exploded View**

*Optional Items Shown in ITALICS*

Ref #	Component Item No.	Description	Qty Per
22	SC1710H-SS	CAPSCRW,HX,1/2-13X1,18-8SS HX HD	4
24	SP328G-80-12AG	GASKET,218/328,DG,THK,PTFE C C+	1
25	SP328G-80-11SC	SEAT,218/328,DG,SEAL,SILC CARB C C+	1
	<i>SP328G-80-11TC</i>	<i>SEAT,328,DG,SEAL,TUNG CARB C C+</i>	1
	<i>SP328G-80-11CER</i>	<i>SEAT,328,DG,SEAL,CERAMIC C C+</i>	1
26	SP328G-80-12G	GASKET,218/328,DG,THN,PTFE C C+	1
27	SP328G-17-316L	RING,218/328,GLAND,DG C C+	1
28	SC1310H-SS	CAPSCRW,HX,5/16-18X1-1/8,18-8S HX HD	4
29	LWA-1300-SS	WASHER,LOCK,5/16,18-8SS	4

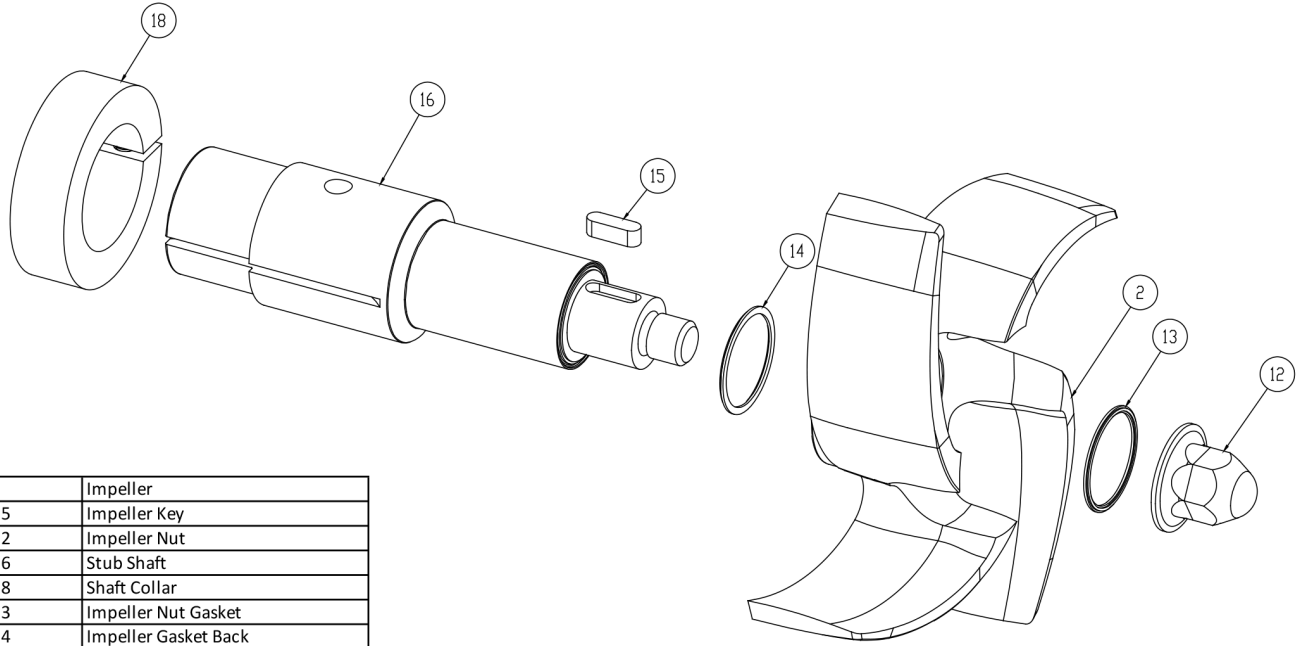


3	Casing Gasket
6	Seal Carbon
7	Seal O-Ring
8	Cup D Seal
9	Spring D Seal
12	Impeller Pin
24	PTFE Gasket
25	Silicon Carbide Seat
26	PTFE Gasket

**Seal Kit DG**

*Optional Items Shown in ITALICS*

Ref #	Component Item No.	Description	Qty Per
1	<b>KITDG-C218-B</b>	<b>KIT,218/328,DG,SEAL,BUNA C</b>	<b>1</b>
	<i>KITDG-C218-E</i>	<i>KIT,218/328,DG SEAL,EPDM C</i>	<i>1</i>
	<i>KITDG-C218-S</i>	<i>KIT,218/328,DG,SEAL,VIT C</i>	<i>1</i>



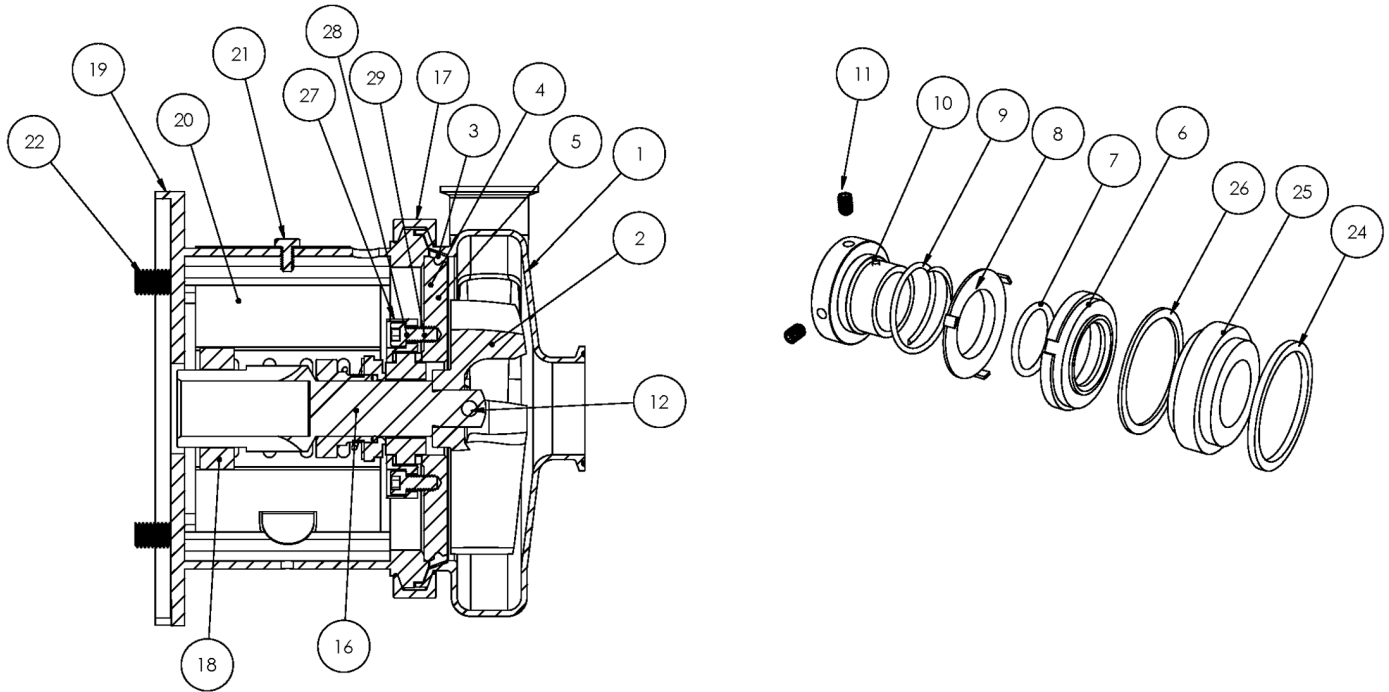
2	Impeller
15	Impeller Key
12	Impeller Nut
16	Stub Shaft
18	Shaft Collar
13	Impeller Nut Gasket
14	Impeller Gasket Back

**AC+ Conversion Kit**

*Optional Items Shown in ITALICS*

Ref #	Component Item No.	Description	Qty Per
1	<b>C+KIT-328/28TS</b>	<b>KIT,328,280TSC,C+CONVRT,BUNA C</b>	<b>1</b>
	<i>C+KIT-328/28TSE</i>	<i>KIT,328,280TSC,C+CONVRT,EPDM C</i>	<i>1</i>
	<i>C+KIT-328/28TSV</i>	<i>KIT,328,280TSC,C+CONVRT,VIT C</i>	<i>1</i>

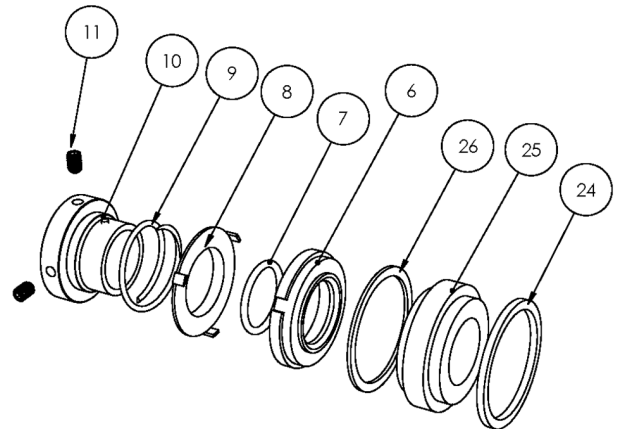
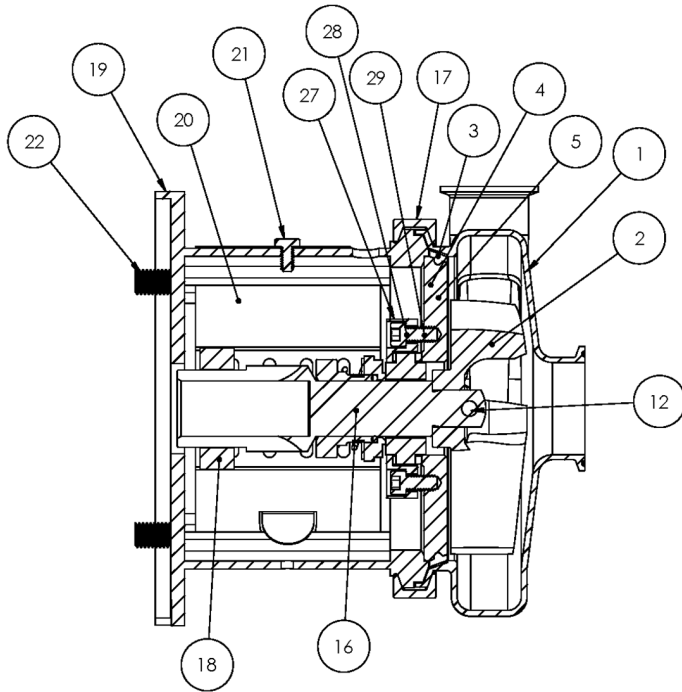




**Exploded View**

*Optional Items Shown in ITALICS*

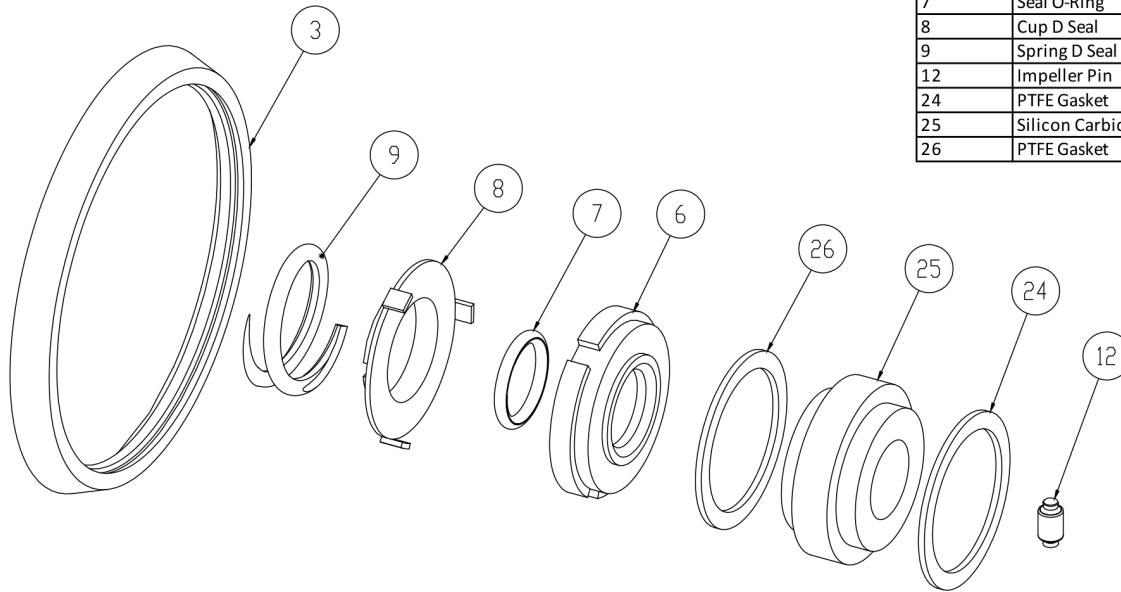
Ref #	Component Item No.	Description	Qty Per
1	<b>S428M-01C-E</b>	<b>CASING,4X2,TRI-CLMP C428/C+428</b>	1
	<i>S428T-01C-E</i>	<i>CASING,4X2,BVL SEAT C428/C+428</i>	1
	<i>S428MI-01C-E</i>	<i>CASING,4X2,CLMP GLASS BEAD C428/C+428</i>	1
	<i>S428S-01C-E</i>	<i>CASING,4X2,NPT C428/C+428</i>	1
	<i>S428F-01D-E</i>	<i>CASING,4X2,FLNGD C428/C+428</i>	1
2	<b>S328-02C</b>	<b>IMPELLER,328/428 C UNIVERSAL</b>	1
3	<b>S328-90A-U</b>	<b>GASKET,218/328,CASING,BUNA C C+</b>	1
	<i>S328-90A-E</i>	<i>GASKET,218/328,CASING,EPDM C C+</i>	1
	<i>S328-90A-V</i>	<i>GASKET,218/328,CASING,VIT C C+</i>	1
4	<b>SP328G-11-316L</b>	<b>BACKPLATE,DG,218/328 C C+</b>	1
5	<b>216D-11-1-S</b>	<b>PIN,BACKPLT,114/216/328 C C+</b>	2
6	<b>328E-80-1A</b>	<b>SEAL,218/328,3218,CARBON C C+</b>	1
	<i>328E-80-1SC</i>	<i>SEAL,328,RTRY,SILC CARB C C+</i>	1
7	<b>S328-80-2-U</b>	<b>O-RING,218/328,SEAL,BUNA C C+</b>	1
	<i>S328-80-2-E</i>	<i>O-RING,218/328,SEAL,EPDM,2-222 C C+</i>	1
	<i>S328-80-2-V</i>	<i>O-RING,218/328,SEAL,VIT C C+</i>	1
8	<b>328D-80-3P</b>	<b>CUP,D,218/318/328/428 C C+</b>	1
9	<b>328D-80-4</b>	<b>SPRING,D,218/328/428,+3218 C C+ DB</b>	1
10	<b>SP328D-23P-S</b>	<b>COLLAR,D,218/328/+3218,DRIVE C C+</b>	1
11	<b>SC1105A-SS</b>	<b>SCREW,SET,DRV COLLR,1/4-20X3/8 -SS</b>	2
12	<b>328D-24B-316L</b>	<b>RETAINER,IMPLR</b>	1
16	<b>CS328E32T-06</b>	<b>STUBSHAFT,320TC,UNIVRSL C218/C328</b>	1
17	<b>S328-75AR-S</b>	<b>CLAMP,218/328,CASING C C+</b>	1
18	<b>SX18000028</b>	<b>COLLAR,320TC,SHAFT LCX</b>	1
19	<b>328D32T-71C-SS</b>	<b>ADAPTER,320TC FRAME,SS C218/C328/C+218/C+328</b>	1
20	<b>C328-28T-131-S</b>	<b>GUARD,SEAL,218/328/428/4410,SS C C+</b>	1
21	<b>GX5079600</b>	<b>CAPSCRW,HX,1/4-20X1/2,18-8SS HX HD</b>	1



**Exploded View**

*Optional Items Shown in ITALICS*

Ref #	Component Item No.	Description	Qty Per
22	GX5076700	CAPSCRW,HX,5/8-11X1-1/2,18-8SS HX HD	4
24	SP328G-80-12AG	GASKET,218/328,DG,THK,PTFE C C+	1
25	SP328G-80-11SC	SEAT,218/328,DG,SEAL,SILC CARB C C+	1
	<i>SP328G-80-11TC</i>	<i>SEAT,328,DG,SEAL,TUNG CARB C C+</i>	1
	<i>SP328G-80-11CER</i>	<i>SEAT,328,DG,SEAL,CERAMIC C C+</i>	1
26	SP328G-80-12G	GASKET,218/328,DG,THN,PTFE C C+	1
27	SP328G-17-316L	RING,218/328,GLAND,DG C C+	1
28	SC1310H-SS	CAPSCRW,HX,5/16-18X1-1/8,18-8S HX HD	4
29	LWA-1300-SS	WASHER,LOCK,5/16,18-8SS	4

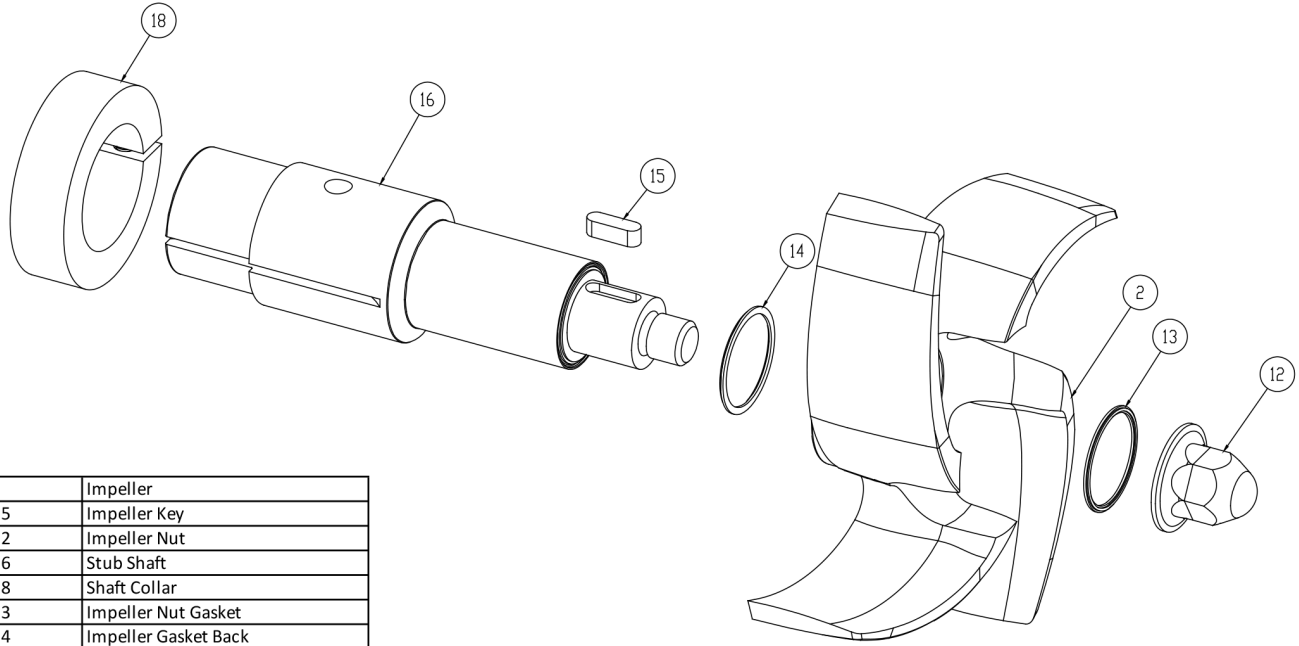


3	Casing Gasket
6	Seal Carbon
7	Seal O-Ring
8	Cup D Seal
9	Spring D Seal
12	Impeller Pin
24	PTFE Gasket
25	Silicon Carbide Seat
26	PTFE Gasket

**Seal Kit DG**

*Optional Items Shown in ITALICS*

Ref #	Component Item No.	Description	Qty Per
1	<b>KITDG-C218-B</b>	<b>KIT,218/328,DG,SEAL,BUNA C</b>	<b>1</b>
	<i>KITDG-C218-E</i>	<i>KIT,218/328,DG SEAL,EPDM C</i>	<i>1</i>
	<i>KITDG-C218-S</i>	<i>KIT,218/328,DG,SEAL,VIT C</i>	<i>1</i>

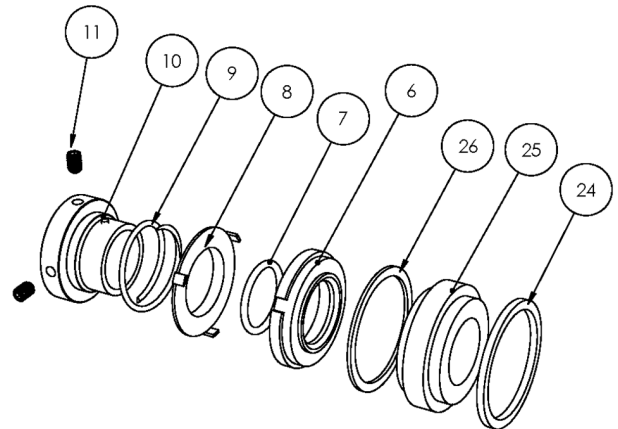
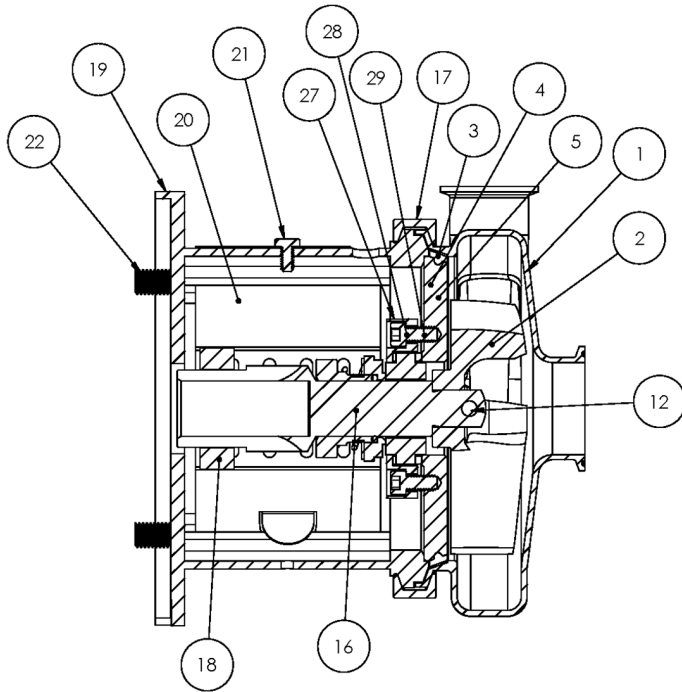


2	Impeller
15	Impeller Key
12	Impeller Nut
16	Stub Shaft
18	Shaft Collar
13	Impeller Nut Gasket
14	Impeller Gasket Back

**AC+ Conversion Kit**

*Optional Items Shown in ITALICS*

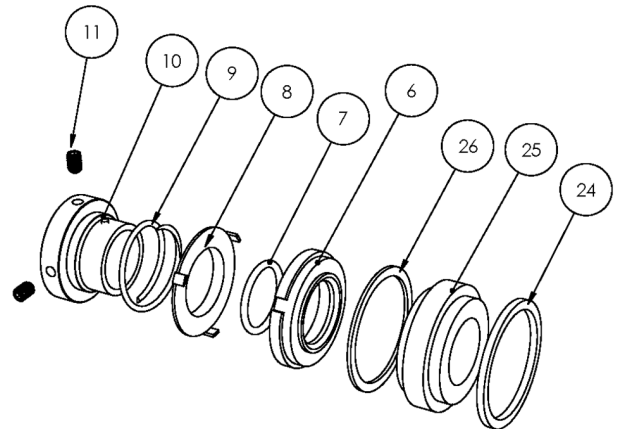
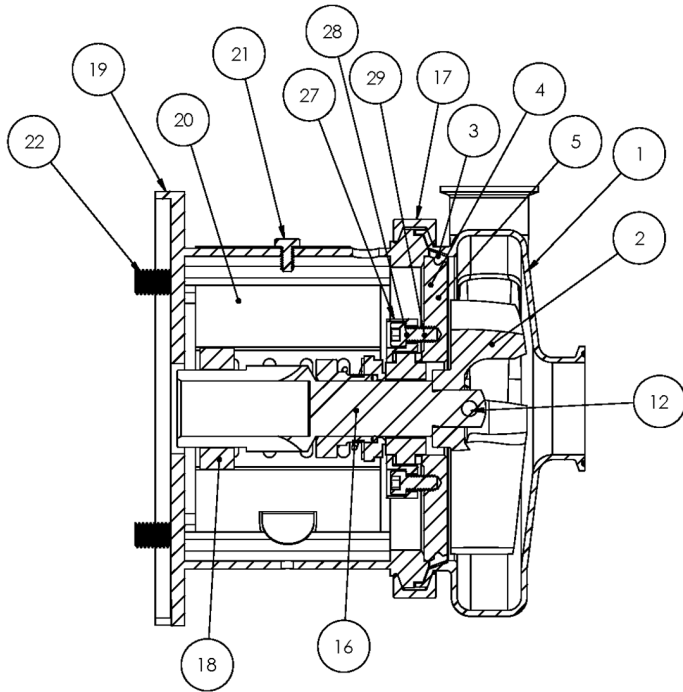
Ref #	Component Item No.	Description	Qty Per
1	<b>C+KIT-328/32</b>	<b>KIT,328,320TC,C+CONVRT,BUNA C</b>	<b>1</b>
	<i>C+KIT-328/32-E</i>	<i>KIT,328,320TC,C+CONVRT,EPDM C</i>	<i>1</i>
	<i>C+KIT-328/32-V</i>	<i>KIT,328,320TC,C+CONVRT,VIT C</i>	<i>1</i>



**Exploded View**

*Optional Items Shown in ITALICS*

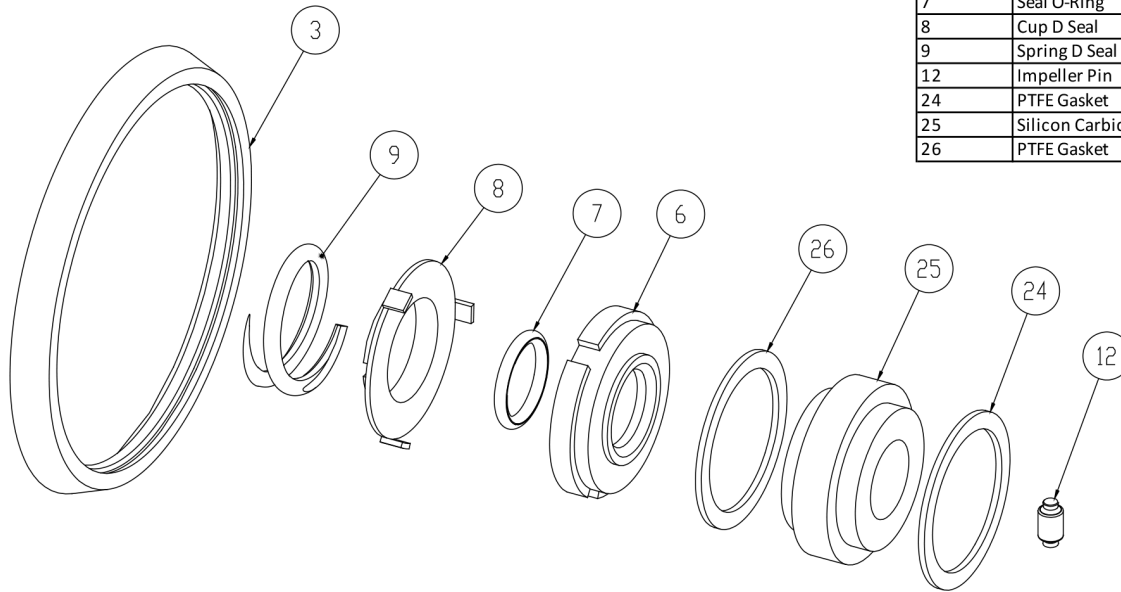
Ref #	Component Item No.	Description	Qty Per
1	<b>S428M-01C-E</b>	<b>CASING,4X2,TRI-CLMP C428/C+428</b>	1
	<i>S428T-01C-E</i>	<i>CASING,4X2,BVL SEAT C428/C+428</i>	1
	<i>S428MI-01C-E</i>	<i>CASING,4X2,CLMP GLASS BEAD C428/C+428</i>	1
	<i>S428S-01C-E</i>	<i>CASING,4X2,NPT C428/C+428</i>	1
	<i>S428F-01D-E</i>	<i>CASING,4X2,FLNGD C428/C+428</i>	1
2	<b>S328-02C</b>	<b>IMPELLER,328/428 C UNIVERSAL</b>	1
3	<b>S328-90A-U</b>	<b>GASKET,218/328,CASING,BUNA C C+</b>	1
	<i>S328-90A-E</i>	<i>GASKET,218/328,CASING,EPDM C C+</i>	1
	<i>S328-90A-V</i>	<i>GASKET,218/328,CASING,VIT C C+</i>	1
4	<b>SP328G-11-316L</b>	<b>BACKPLATE,DG,218/328 C C+</b>	1
5	<b>216D-11-1-S</b>	<b>PIN,BACKPLT,114/216/328 C C+</b>	2
6	<b>328E-80-1A</b>	<b>SEAL,218/328,3218,CARBON C C+</b>	1
	<i>328E-80-1SC</i>	<i>SEAL,328,RTRY,SILC CARB C C+</i>	1
7	<b>S328-80-2-U</b>	<b>O-RING,218/328,SEAL,BUNA C C+</b>	1
	<i>S328-80-2-E</i>	<i>O-RING,218/328,SEAL,EPDM,2-222 C C+</i>	1
	<i>S328-80-2-V</i>	<i>O-RING,218/328,SEAL,VIT C C+</i>	1
8	<b>328D-80-3P</b>	<b>CUP,D,218/318/328/428 C C+</b>	1
9	<b>328D-80-4</b>	<b>SPRING,D,218/328/428,+3218 C C+ DB</b>	1
10	<b>SP328D-23P-S</b>	<b>COLLAR,D,218/328/+3218,DRIVE C C+</b>	1
11	<b>SC1105A-SS</b>	<b>SCREW,SET,DRV COLLR,1/4-20X3/8 -SS</b>	2
12	<b>328D-24B-316L</b>	<b>RETAINER,IMPLR</b>	1
16	<b>CS328E32TS-06</b>	<b>STUBSHAFT,320TSC,UNIVRSL C218/C328</b>	1
17	<b>S328-75AR-S</b>	<b>CLAMP,218/328,CASING C C+</b>	1
18	<b>SX18000027</b>	<b>COLLAR,280TC/320TSC,SHAFT LC</b>	1
19	<b>328D32TS-71C-SS</b>	<b>ADAPTER,320TSC FRAME,SS C218/C328/C+218/C+328</b>	1
20	<b>C328-28T-131-S</b>	<b>GUARD,SEAL,218/328/428/4410,SS C C+</b>	1
21	<b>GX5079600</b>	<b>CAPSCRW,HX,1/4-20X1/2,18-8SS HX HD</b>	1



**Exploded View**

*Optional Items Shown in ITALICS*

Ref #	Component Item No.	Description	Qty Per
22	GX5076700	CAPSCRW,HX,5/8-11X1-1/2,18-8SS HX HD	4
24	SP328G-80-12AG	GASKET,218/328,DG,THK,PTFE C C+	1
25	SP328G-80-11SC	SEAT,218/328,DG,SEAL,SILC CARB C C+	1
	<i>SP328G-80-11TC</i>	<i>SEAT,328,DG,SEAL,TUNG CARB C C+</i>	1
	<i>SP328G-80-11CER</i>	<i>SEAT,328,DG,SEAL,CERAMIC C C+</i>	1
26	SP328G-80-12G	GASKET,218/328,DG,THN,PTFE C C+	1
27	SP328G-17-316L	RING,218/328,GLAND,DG C C+	1
28	SC1310H-SS	CAPSCRW,HX,5/16-18X1-1/8,18-8S HX HD	4
29	LWA-1300-SS	WASHER,LOCK,5/16,18-8SS	4

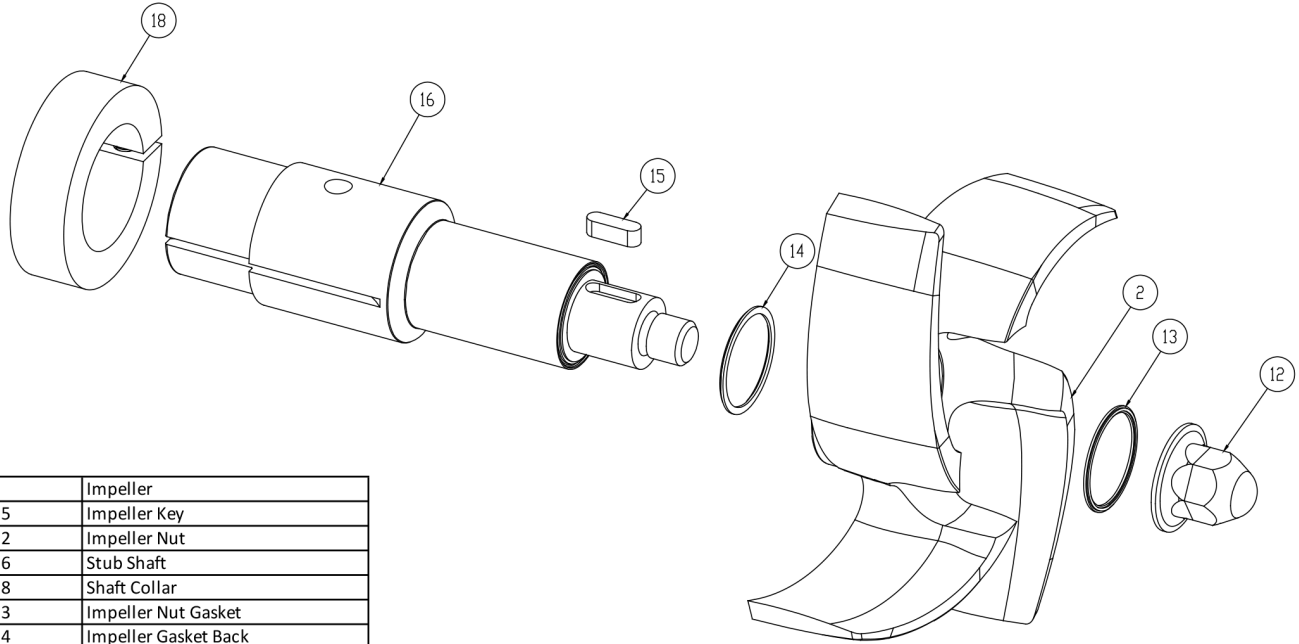


3	Casing Gasket
6	Seal Carbon
7	Seal O-Ring
8	Cup D Seal
9	Spring D Seal
12	Impeller Pin
24	PTFE Gasket
25	Silicon Carbide Seat
26	PTFE Gasket

**Seal Kit DG**

*Optional Items Shown in ITALICS*

Ref #	Component Item No.	Description	Qty Per
1	<b>KITDG-C218-B</b>	<b>KIT,218/328,DG,SEAL,BUNA C</b>	<b>1</b>
	<i>KITDG-C218-E</i>	<i>KIT,218/328,DG SEAL,EPDM C</i>	<i>1</i>
	<i>KITDG-C218-S</i>	<i>KIT,218/328,DG,SEAL,VIT C</i>	<i>1</i>



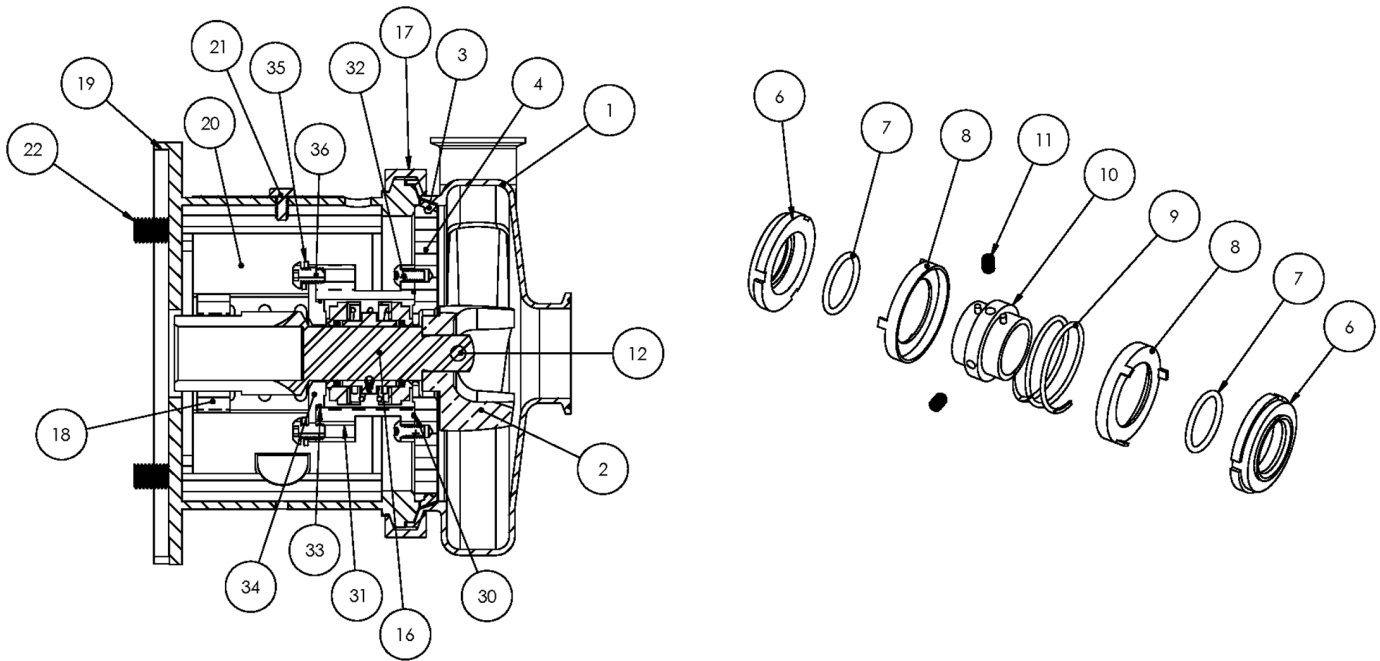
2	Impeller
15	Impeller Key
12	Impeller Nut
16	Stub Shaft
18	Shaft Collar
13	Impeller Nut Gasket
14	Impeller Gasket Back

**AC+ Conversion Kit**

*Optional Items Shown in ITALICS*

Ref #	Component Item No.	Description	Qty Per
1	<b>C+KIT-328/32TS</b>	<b>KIT,328,320TSC,C+CONVRT,BUNA C</b>	1
	<i>C+KIT-328/32TSE</i>	<i>KIT,328,320TSC,C+CONVRT,EPDM C</i>	1
	<i>C+KIT-328/32TSV</i>	<i>KIT,328,320TSC,C+CONVRT,VIT C</i>	1

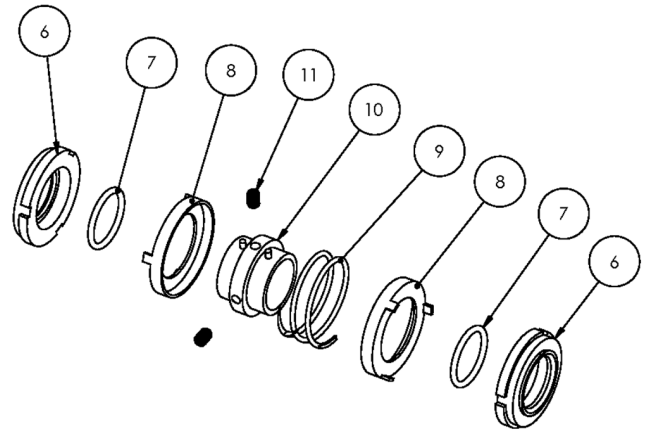
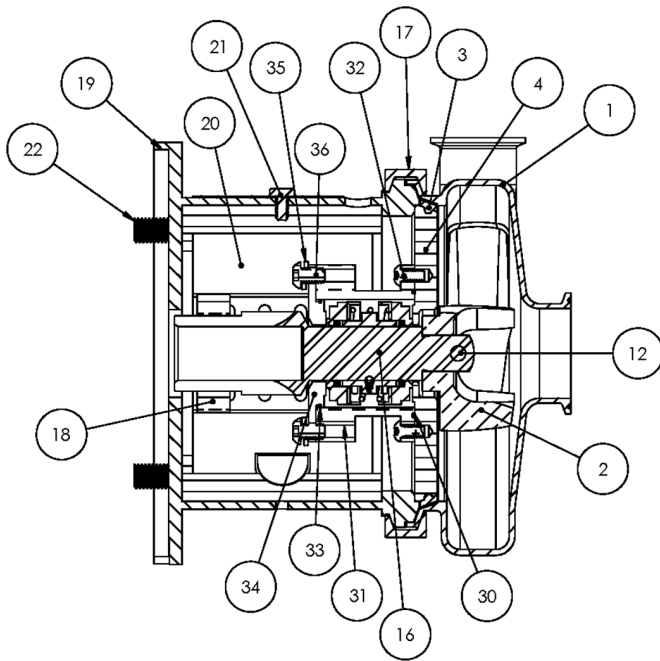




**Exploded View**

*Optional Items Shown in ITALICS*

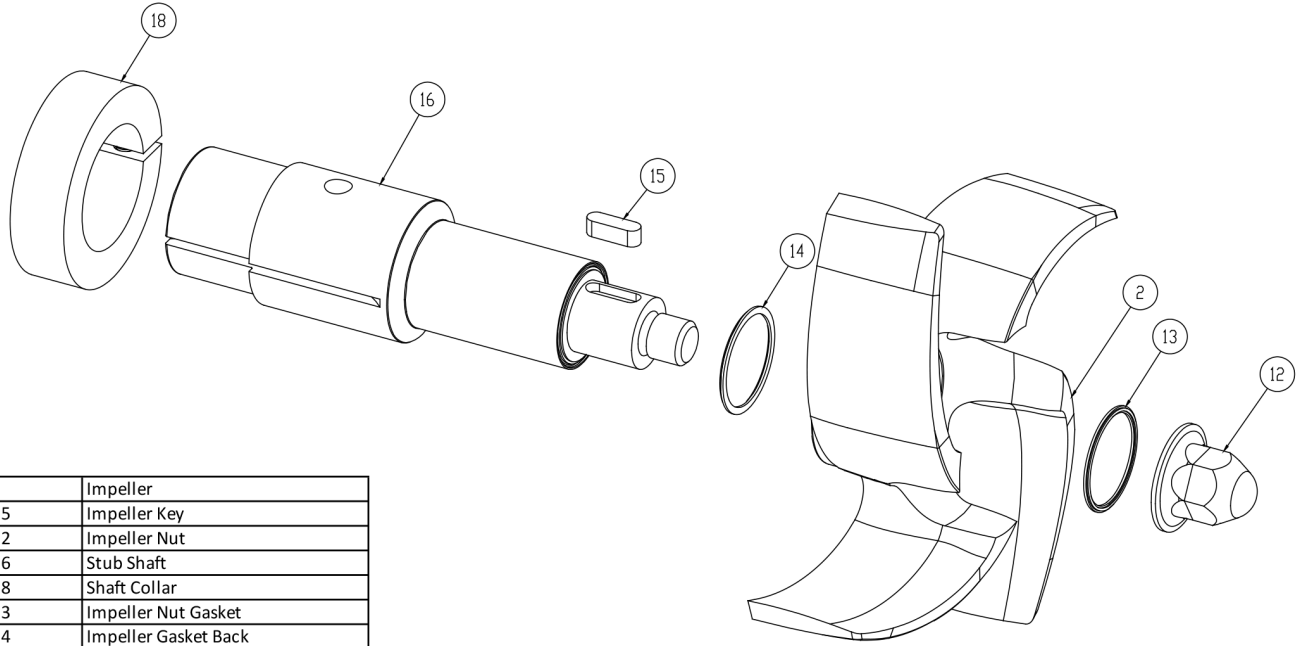
Ref #	Component Item No.	Description	Qty Per
1	<b>S428M-01C-E</b>	<b>CASING,4X2,TRI-CLMP C428/C+428</b>	1
	<i>S428T-01C-E</i>	<i>CASING,4X2,BVL SEAT C428/C+428</i>	1
	<i>S428MI-01C-E</i>	<i>CASING,4X2,CLMP GLASS BEAD C428/C+428</i>	1
	<i>S428S-01C-E</i>	<i>CASING,4X2,NPT C428/C+428</i>	1
	<i>S428F-01D-E</i>	<i>CASING,4X2,FLNGD C428/C+428</i>	1
2	<b>S328-02C</b>	<b>IMPELLER,328/428 C UNIVERSAL</b>	1
3	<b>S328-90A-U</b>	<b>GASKET,218/328,CASING,BUNA C C+</b>	1
	<i>S328-90A-E</i>	<i>GASKET,218/328,CASING,EPDM C C+</i>	1
	<i>S328-90A-V</i>	<i>GASKET,218/328,CASING,VIT C C+</i>	1
4	<b>328E-11B-316</b>	<b>BACKPLATE,E,218/328 C C+</b>	1
6	<b>328E-80-1A</b>	<b>SEAL,218/328,3218,CARBON C C+</b>	2
7	<b>S328-80-2-U</b>	<b>O-RING,218/328,SEAL,BUNA C C+</b>	2
	<i>S328-80-2-E</i>	<i>O-RING,218/328,SEAL,EPDM,2-222 C C+</i>	2
	<i>S328-80-2-V</i>	<i>O-RING,218/328,SEAL,VIT C C+</i>	2
8	<b>328E-80-3P</b>	<b>CUP,E,218/318/328/428 C C+</b>	2
9	<b>328E-80-4A</b>	<b>SPRING,E,218/318/328/428 C C+</b>	1
10	<b>328E-23-316L</b>	<b>COLLAR,E,218/328/428,DRIVE C C+</b>	1
11	<b>SC1103A-SS</b>	<b>SCREW,SET,1/4-20X1/4 E BALANCED</b>	2
12	<b>328D-24B-316L</b>	<b>RETAINER,IMPLR</b>	1
17	<b>S328-75AR-S</b>	<b>CLAMP,218/328,CASING C C+</b>	1
18	<b>SX18000014</b>	<b>COLLAR,180TC,SHAFT LC</b>	1
19	<b>328D18T-71C-SS</b>	<b>ADAPTER,180TC FRAME,SS C218/C328/C+218/C+328</b>	1
20	<b>C328-18T-131-S</b>	<b>GUARD,SEAL,21/318/328/428,SS C C+ IC+ 180TC</b>	1
21	<b>GX5079600</b>	<b>CAPSCRW,HX,1/4-20X1/2,18-8SS HX HD</b>	1
22	<b>SC1710H-SS</b>	<b>CAPSCRW,HX,1/2-13X1,18-8SS HX HD</b>	4
30	<b>17-153-U</b>	<b>O-RING,218,STUFF BX,BUNA C</b>	1
	<i>17-153-E</i>	<i>O-RING,218,STUFF BX,EPDM C C+</i>	1



**Exploded View**

*Optional Items Shown in ITALICS*

Ref #	Component Item No.	Description	Qty Per
30	17-153-V	O-RING,218,STUFF BX,VIT C C+	1
31	328E-83B-316	STUFFING BOX,E,218/328 C C+	1
32	SC1308H-SS	CAPSCRW,BH,5/16-18 X1/2,18-8SS BUTTON HD	4
33	17-274-U	O-RING,218,FOLLOWER,BUNA C C+	1
	17-274-E	O-RING,218,FOLLOWER,EPDM C C+	1
	17-274-V	O-RING,218,FOLLOWER,VIT C C+	1
34	328E-17-316	FOLLOWER,E,218/328,+218/328 C C+	1
35	LWA-1300-SS	WASHER,LOCK,5/16,18-8SS	4
36	SC1308E-SS	CAPSCRW,BH,5/16-18X3/4,18-8SS BUTTON HD	4

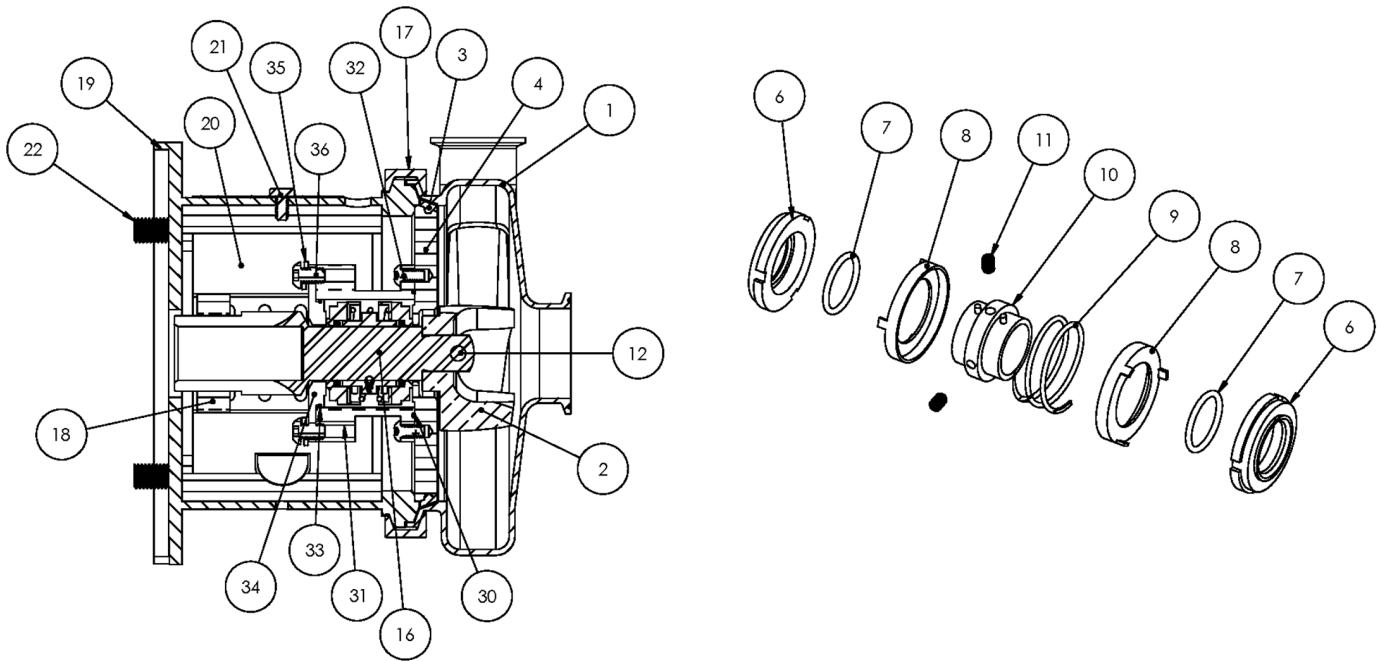


2	Impeller
15	Impeller Key
12	Impeller Nut
16	Stub Shaft
18	Shaft Collar
13	Impeller Nut Gasket
14	Impeller Gasket Back

**AC+ Conversion Kit**

*Optional Items Shown in ITALICS*

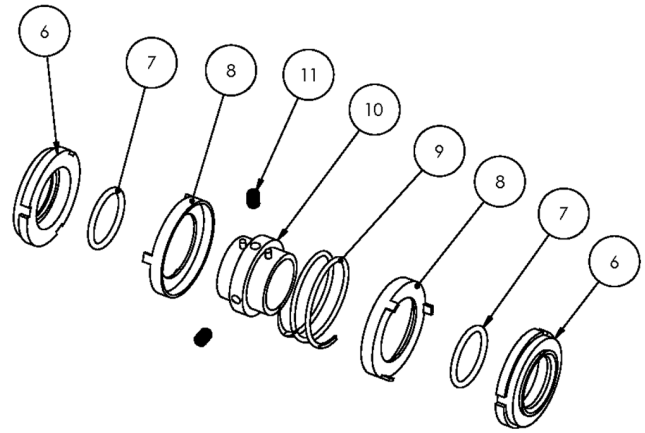
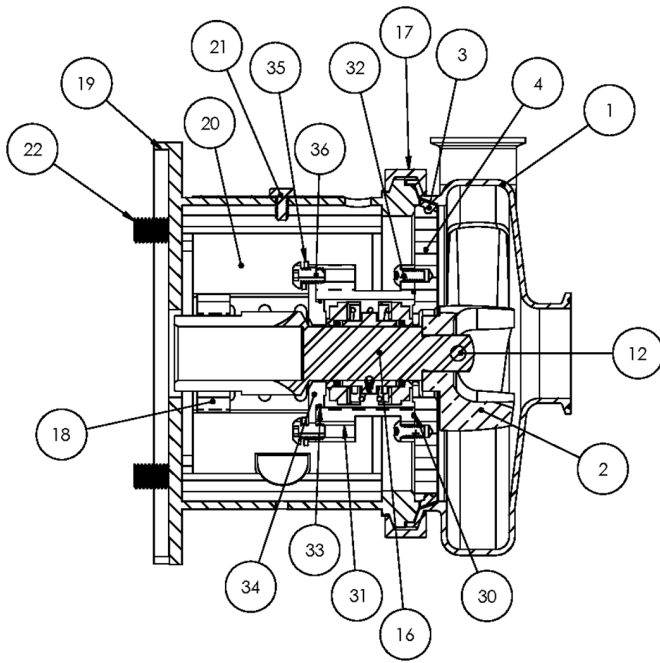
Ref #	Component Item No.	Description	Qty Per
1	<b>C+KIT-328/18</b>	<b>KIT,328,180TC,C+CONVRT,BUNA C</b>	<b>1</b>
	<i>C+KIT-328/18-E</i>	<i>KIT,328,180TC,C+CONVRT,EPDM C</i>	<i>1</i>
	<i>C+KIT-328/18-V</i>	<i>KIT,328,180TC,C+CONVRT,VIT C</i>	<i>1</i>



**Exploded View**

*Optional Items Shown in ITALICS*

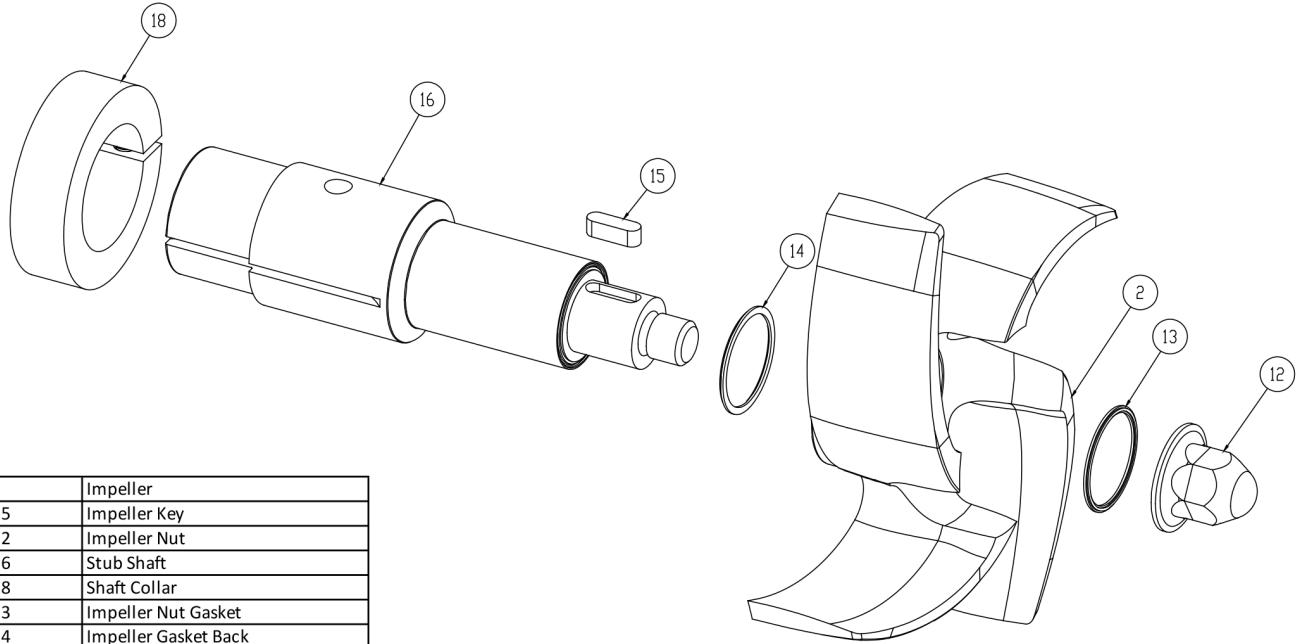
Ref #	Component Item No.	Description	Qty Per
1	<b>S428M-01C-E</b>	<b>CASING,4X2,TRI-CLMP C428/C+428</b>	1
	<i>S428T-01C-E</i>	<i>CASING,4X2,BVL SEAT C428/C+428</i>	1
	<i>S428MI-01C-E</i>	<i>CASING,4X2,CLMP GLASS BEAD C428/C+428</i>	1
	<i>S428S-01C-E</i>	<i>CASING,4X2,NPT C428/C+428</i>	1
	<i>S428F-01D-E</i>	<i>CASING,4X2,FLNGD C428/C+428</i>	1
2	<b>S328-02C</b>	<b>IMPELLER,328/428 C UNIVERSAL</b>	1
3	<b>S328-90A-U</b>	<b>GASKET,218/328,CASING,BUNA C C+</b>	1
	<i>S328-90A-E</i>	<i>GASKET,218/328,CASING,EPDM C C+</i>	1
	<i>S328-90A-V</i>	<i>GASKET,218/328,CASING,VIT C C+</i>	1
4	<b>328E-11B-316</b>	<b>BACKPLATE,E,218/328 C C+</b>	1
6	<b>328E-80-1A</b>	<b>SEAL,218/328,3218,CARBON C C+</b>	2
7	<b>S328-80-2-U</b>	<b>O-RING,218/328,SEAL,BUNA C C+</b>	2
	<i>S328-80-2-E</i>	<i>O-RING,218/328,SEAL,EPDM,2-222 C C+</i>	2
	<i>S328-80-2-V</i>	<i>O-RING,218/328,SEAL,VIT C C+</i>	2
8	<b>328E-80-3P</b>	<b>CUP,E,218/318/328/428 C C+</b>	2
9	<b>328E-80-4A</b>	<b>SPRING,E,218/318/328/428 C C+</b>	1
10	<b>328E-23-316L</b>	<b>COLLAR,E,218/328/428,DRIVE C C+</b>	1
11	<b>SC1103A-SS</b>	<b>SCREW,SET,1/4-20X1/4 E BALANCED</b>	2
12	<b>328D-24B-316L</b>	<b>RETAINER,IMPLR</b>	1
16	<b>CS328E21T-06</b>	<b>STUBSHAFT,210TC,UNIVRSL C218/C328</b>	1
17	<b>S328-75AR-S</b>	<b>CLAMP,218/328,CASING C C+</b>	1
18	<b>SX18000015</b>	<b>COLLAR,210TC,SHAFT LC</b>	1
19	<b>328D21T-71C-SS</b>	<b>ADAPTER,210TC FRAME,SS C218/C328/C+218/C+328</b>	1
20	<b>C328-21T-131-S</b>	<b>GUARD,SEAL,218/318/328/428,SS C C+ CB+ 210TC</b>	1
21	<b>GX5079600</b>	<b>CAPSCRW,HX,1/4-20X1/2,18-8SS HX HD</b>	1
22	<b>SC1710H-SS</b>	<b>CAPSCRW,HX,1/2-13X1,18-8SS HX HD</b>	4
30	<b>17-153-U</b>	<b>O-RING,218,STUFF BX,BUNA C</b>	1



**Exploded View**

*Optional Items Shown in ITALICS*

Ref #	Component Item No.	Description	Qty Per
30	17-153-E	O-RING,218,STUFF BX,EPDM C C+	1
	17-153-V	O-RING,218,STUFF BX,VIT C C+	1
31	328E-83B-316	STUFFING BOX,E,218/328 C C+	1
32	SC1308H-SS	CAPSCRW,BH,5/16-18 X1/2,18-8SS BUTTON HD	4
33	17-274-U	O-RING,218,FOLLOWER,BUNA C C+	1
	17-274-E	O-RING,218,FOLLOWER,EPDM C C+	1
	17-274-V	O-RING,218,FOLLOWER,VIT C C+	1
34	328E-17-316	FOLLOWER,E,218/328,+218/328 C C+	1
35	LWA-1300-SS	WASHER,LOCK,5/16,18-8SS	4
36	SC1308E-SS	CAPSCRW,BH,5/16-18X3/4,18-8SS BUTTON HD	4

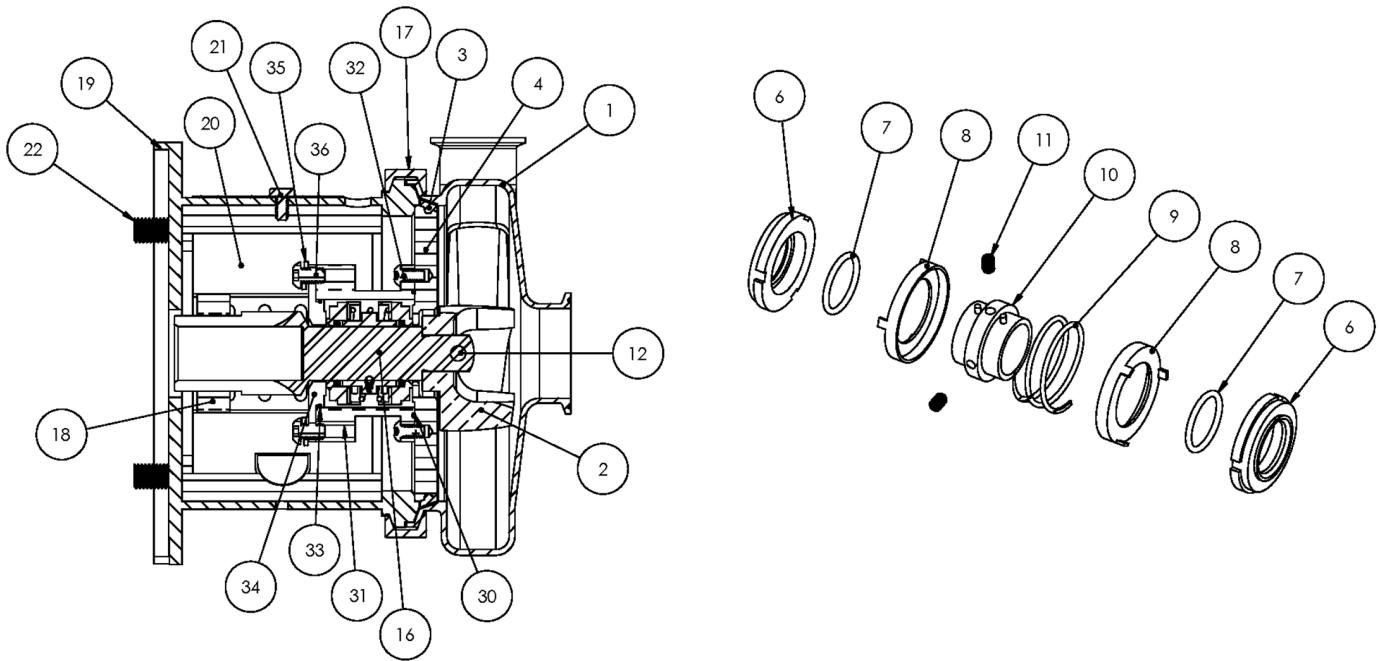


2	Impeller
15	Impeller Key
12	Impeller Nut
16	Stub Shaft
18	Shaft Collar
13	Impeller Nut Gasket
14	Impeller Gasket Back

**AC+ Conversion Kit**

*Optional Items Shown in ITALICS*

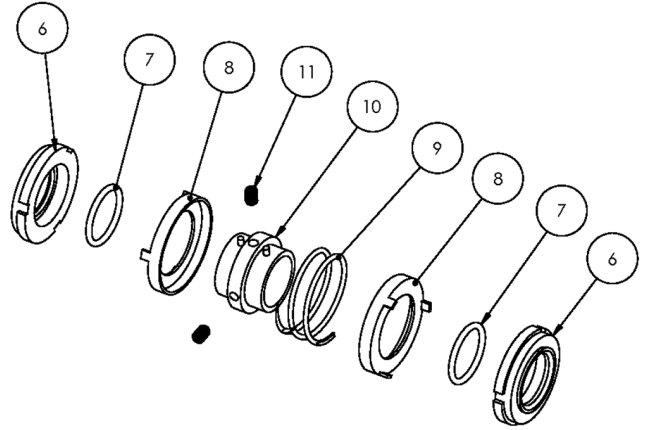
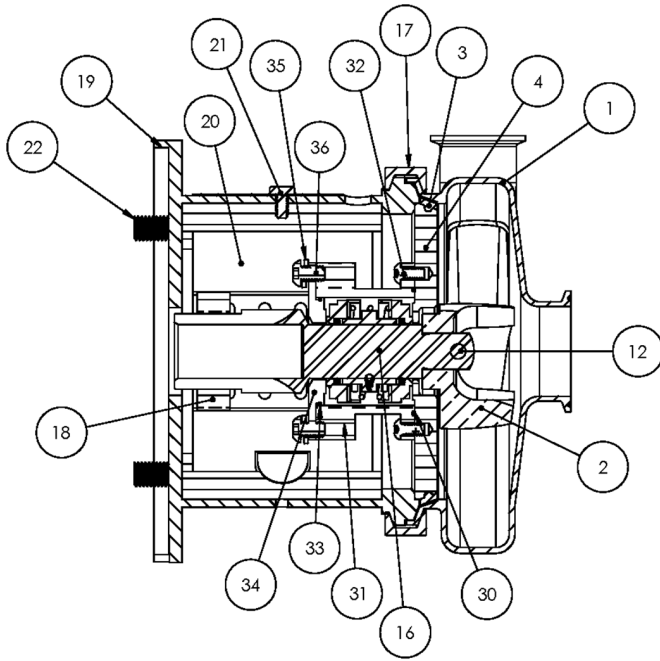
Ref #	Component Item No.	Description	Qty Per
1	<b>C+KIT-328/21</b>	<b>KIT,328,210TC,C+CONVRT,BUNA C</b>	<b>1</b>
	<i>C+KIT-328/21-E</i>	<i>KIT,328,210TC,C+CONVRT,EPDM C</i>	<i>1</i>
	<i>C+KIT-328/21-V</i>	<i>KIT,328,210TC,C+CONVRT,VIT C</i>	<i>1</i>



**Exploded View**

*Optional Items Shown in ITALICS*

Ref #	Component Item No.	Description	Qty Per
1	<b>S428M-01C-E</b>	<b>CASING,4X2,TRI-CLMP C428/C+428</b>	1
	<i>S428T-01C-E</i>	<i>CASING,4X2,BVL SEAT C428/C+428</i>	1
	<i>S428MI-01C-E</i>	<i>CASING,4X2,CLMP GLASS BEAD C428/C+428</i>	1
	<i>S428S-01C-E</i>	<i>CASING,4X2,NPT C428/C+428</i>	1
	<i>S428F-01D-E</i>	<i>CASING,4X2,FLNGD C428/C+428</i>	1
2	<b>S328-02C</b>	<b>IMPELLER,328/428 C UNIVERSAL</b>	1
3	<b>S328-90A-U</b>	<b>GASKET,218/328,CASING,BUNA C C+</b>	1
	<i>S328-90A-E</i>	<i>GASKET,218/328,CASING,EPDM C C+</i>	1
	<i>S328-90A-V</i>	<i>GASKET,218/328,CASING,VIT C C+</i>	1
4	<b>328E-11B-316</b>	<b>BACKPLATE,E,218/328 C C+</b>	1
6	<b>328E-80-1A</b>	<b>SEAL,218/328,3218,CARBON C C+</b>	2
7	<b>S328-80-2-U</b>	<b>O-RING,218/328,SEAL,BUNA C C+</b>	2
	<i>S328-80-2-E</i>	<i>O-RING,218/328,SEAL,EPDM,2-222 C C+</i>	2
	<i>S328-80-2-V</i>	<i>O-RING,218/328,SEAL,VIT C C+</i>	2
8	<b>328E-80-3P</b>	<b>CUP,E,218/318/328/428 C C+</b>	2
9	<b>328E-80-4A</b>	<b>SPRING,E,218/318/328/428 C C+</b>	1
10	<b>328E-23-316L</b>	<b>COLLAR,E,218/328/428,DRIVE C C+</b>	1
11	<b>SC1103A-SS</b>	<b>SCREW,SET,1/4-20X1/4 E BALANCED</b>	2
12	<b>328D-24B-316L</b>	<b>RETAINER,IMPLR</b>	1
16	<b>CS328E25T-06</b>	<b>STUBSHAFT,250TC,UNIVRSL C218/C328</b>	1
17	<b>S328-75AR-S</b>	<b>CLAMP,218/328,CASING C C+</b>	1
18	<b>SX18000016</b>	<b>COLLAR,250TC/280TSC,SHAFT LC</b>	1
19	<b>328D25T-71C-SS</b>	<b>ADAPTER,250TC FRAME,SS C218/C328/C+218/C+328</b>	1
20	<b>C328-25T-131-S</b>	<b>GUARD,SEAL,218/328/428,SS C C+ CB+ 250TC</b>	1
21	<b>GX5079600</b>	<b>CAPSCRW,HX,1/4-20X1/2,18-8SS HX HD</b>	1
22	<b>SC1710H-SS</b>	<b>CAPSCRW,HX,1/2-13X1,18-8SS HX HD</b>	4
30	<b>17-153-U</b>	<b>O-RING,218,STUFF BX,BUNA C</b>	1

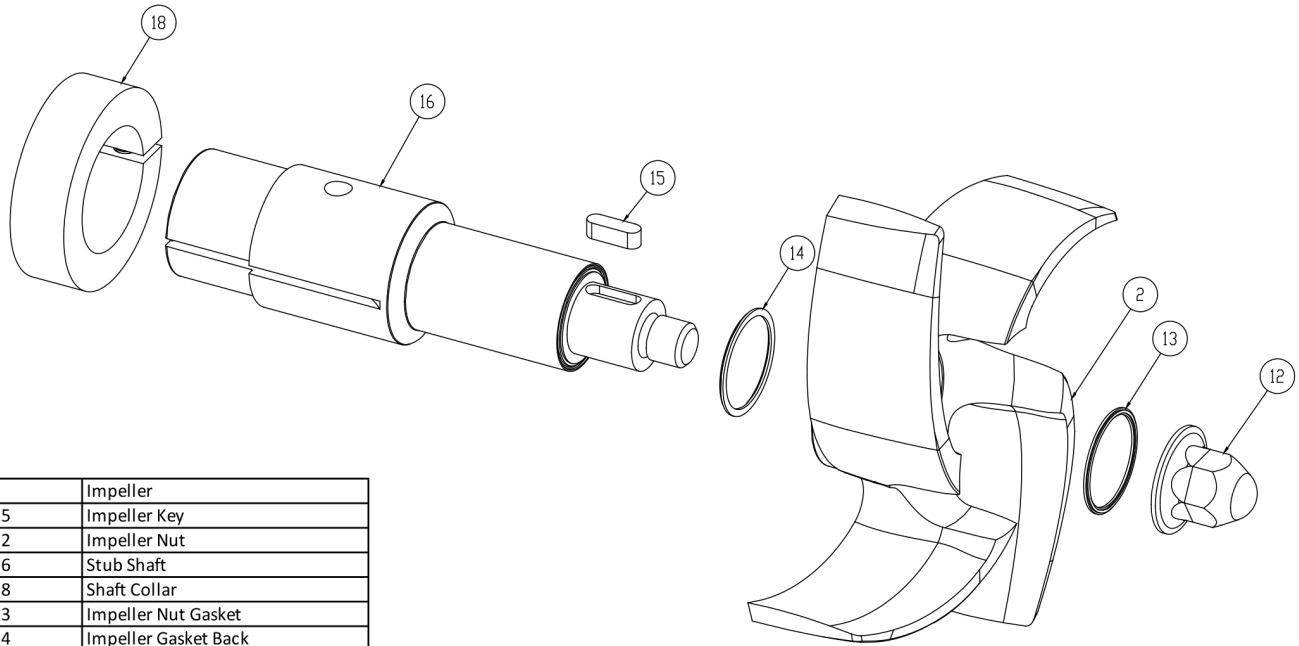


**Exploded View**

*Optional Items Shown in ITALICS*

Ref #	Component Item No.	Description	Qty Per
30	17-153-E	O-RING,218,STUFF BX,EPDM C C+	1
	17-153-V	O-RING,218,STUFF BX,VIT C C+	1
31	328E-83B-316	STUFFING BOX,E,218/328 C C+	1
32	SC1308H-SS	CAPSCRW,BH,5/16-18 X1/2,18-8SS BUTTON HD	4
33	17-274-U	O-RING,218,FOLLOWER,BUNA C C+	1
	17-274-E	O-RING,218,FOLLOWER,EPDM C C+	1
	17-274-V	O-RING,218,FOLLOWER,VIT C C+	1
34	328E-17-316	FOLLOWER,E,218/328,+218/328 C C+	1
35	LWA-1300-SS	WASHER,LOCK,5/16,18-8SS	4
36	SC1308E-SS	CAPSCRW,BH,5/16-18X3/4,18-8SS BUTTON HD	4



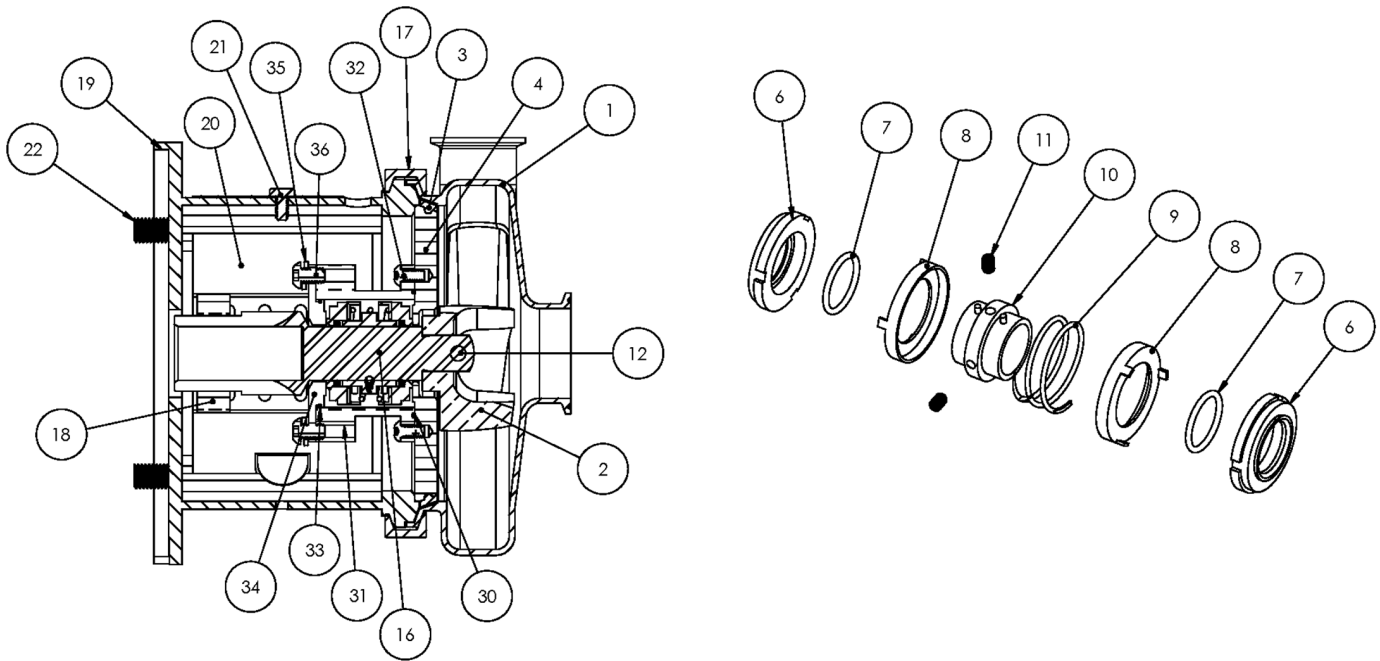


2	Impeller
15	Impeller Key
12	Impeller Nut
16	Stub Shaft
18	Shaft Collar
13	Impeller Nut Gasket
14	Impeller Gasket Back

**AC+ Conversion Kit**

*Optional Items Shown in ITALICS*

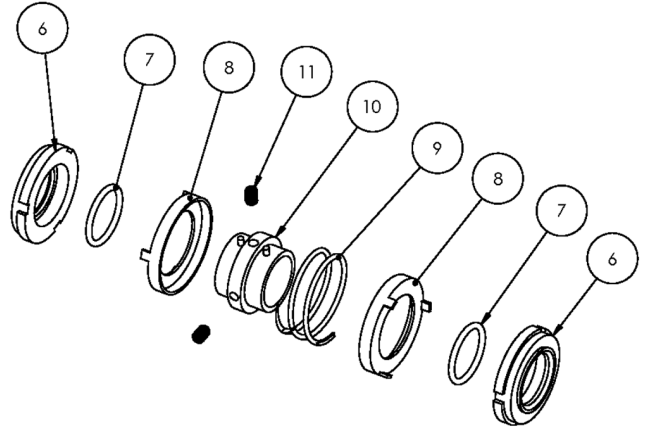
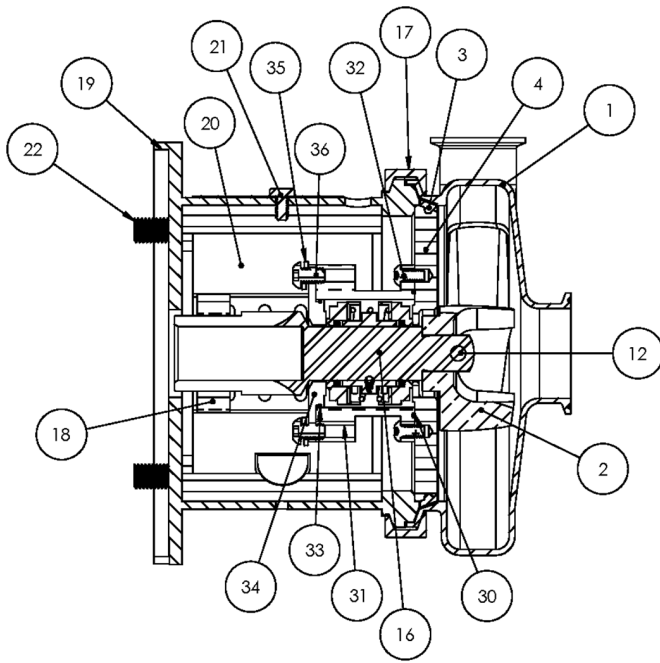
Ref #	Component Item No.	Description	Qty Per
1	<b>C+KIT-328/25</b>	<b>KIT,328,250TC,C+CONVRT,BUNA C</b>	<b>1</b>
	<i>C+KIT-328/25-E</i>	<i>KIT,328,250TC,C+CONVRT,EPDM C</i>	<i>1</i>
	<i>C+KIT-328/25-V</i>	<i>KIT,328,250TC,C+CONVRT,VIT C</i>	<i>1</i>



**Exploded View**

*Optional Items Shown in ITALICS*

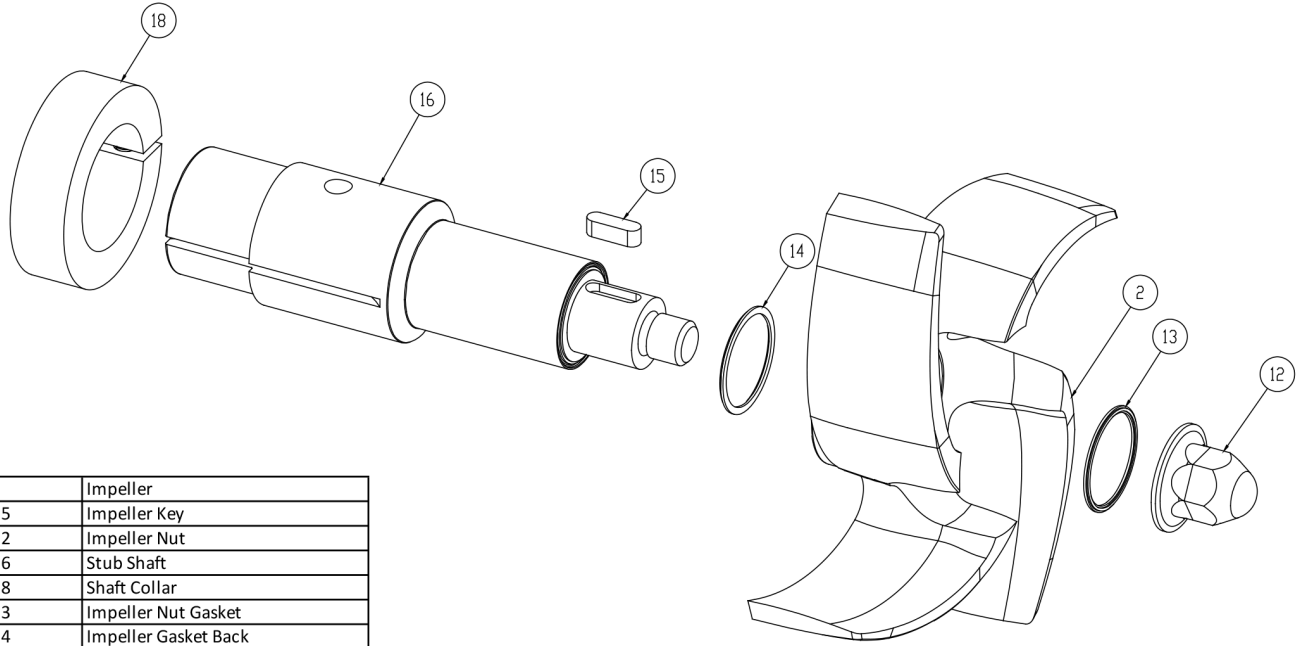
Ref #	Component Item No.	Description	Qty Per
1	<b>S428M-01C-E</b>	<b>CASING,4X2,TRI-CLMP C428/C+428</b>	1
	<i>S428T-01C-E</i>	<i>CASING,4X2,BVL SEAT C428/C+428</i>	1
	<i>S428MI-01C-E</i>	<i>CASING,4X2,CLMP GLASS BEAD C428/C+428</i>	1
	<i>S428S-01C-E</i>	<i>CASING,4X2,NPT C428/C+428</i>	1
	<i>S428F-01D-E</i>	<i>CASING,4X2,FLNGD C428/C+428</i>	1
2	<b>S328-02C</b>	<b>IMPELLER,328/428 C UNIVERSAL</b>	1
3	<b>S328-90A-U</b>	<b>GASKET,218/328,CASING,BUNA C C+</b>	1
	<i>S328-90A-E</i>	<i>GASKET,218/328,CASING,EPDM C C+</i>	1
	<i>S328-90A-V</i>	<i>GASKET,218/328,CASING,VIT C C+</i>	1
4	<b>328E-11B-316</b>	<b>BACKPLATE,E,218/328 C C+</b>	1
6	<b>328E-80-1A</b>	<b>SEAL,218/328,3218,CARBON C C+</b>	2
7	<b>S328-80-2-U</b>	<b>O-RING,218/328,SEAL,BUNA C C+</b>	2
	<i>S328-80-2-E</i>	<i>O-RING,218/328,SEAL,EPDM,2-222 C C+</i>	2
	<i>S328-80-2-V</i>	<i>O-RING,218/328,SEAL,VIT C C+</i>	2
8	<b>328E-80-3P</b>	<b>CUP,E,218/318/328/428 C C+</b>	2
9	<b>328E-80-4A</b>	<b>SPRING,E,218/318/328/428 C C+</b>	1
10	<b>328E-23-316L</b>	<b>COLLAR,E,218/328/428,DRIVE C C+</b>	1
11	<b>SC1103A-SS</b>	<b>SCREW,SET,1/4-20X1/4 E BALANCED</b>	2
12	<b>328D-24B-316L</b>	<b>RETAINER,IMPLR</b>	1
16	<b>CS328E28T-06</b>	<b>STUBSHAFT,280TC,UNIVRSL C218/C328</b>	1
17	<b>S328-75AR-S</b>	<b>CLAMP,218/328,CASING C C+</b>	1
18	<b>SX18000027</b>	<b>COLLAR,280TC/320TSC,SHAFT LC</b>	1
19	<b>328D28T-71C-SS</b>	<b>ADAPTER,280TC/TSC FRAME,SS C218/C328/C+218/C+328</b>	1
20	<b>C328-28T-131-S</b>	<b>GUARD,SEAL,218/328/428/4410,SS C C+</b>	1
21	<b>GX5079600</b>	<b>CAPSCRW,HX,1/4-20X1/2,18-8SS HX HD</b>	1
22	<b>SC1710H-SS</b>	<b>CAPSCRW,HX,1/2-13X1,18-8SS HX HD</b>	4
30	<b>17-153-U</b>	<b>O-RING,218,STUFF BX,BUNA C</b>	1



**Exploded View**

*Optional Items Shown in ITALICS*

Ref #	Component Item No.	Description	Qty Per
30	<i>17-153-E</i>	<i>O-RING,218,STUFF BX,EPDM C C+</i>	1
	<i>17-153-V</i>	<i>O-RING,218,STUFF BX,VIT C C+</i>	1
31	<b>328E-83B-316</b>	<b>STUFFING BOX,E,218/328 C C+</b>	1
32	<b>SC1308H-SS</b>	<b>CAPSCRW,BH,5/16-18 X1/2,18-8SS BUTTON HD</b>	4
33	<b>17-274-U</b>	<b>O-RING,218,FOLLOWER,BUNA C C+</b>	1
	<i>17-274-E</i>	<i>O-RING,218,FOLLOWER,EPDM C C+</i>	1
	<i>17-274-V</i>	<i>O-RING,218,FOLLOWER,VIT C C+</i>	1
34	<b>328E-17-316</b>	<b>FOLLOWER,E,218/328,+218/328 C C+</b>	1
35	<b>LWA-1300-SS</b>	<b>WASHER,LOCK,5/16,18-8SS</b>	4
36	<b>SC1308E-SS</b>	<b>CAPSCRW,BH,5/16-18X3/4,18-8SS BUTTON HD</b>	4

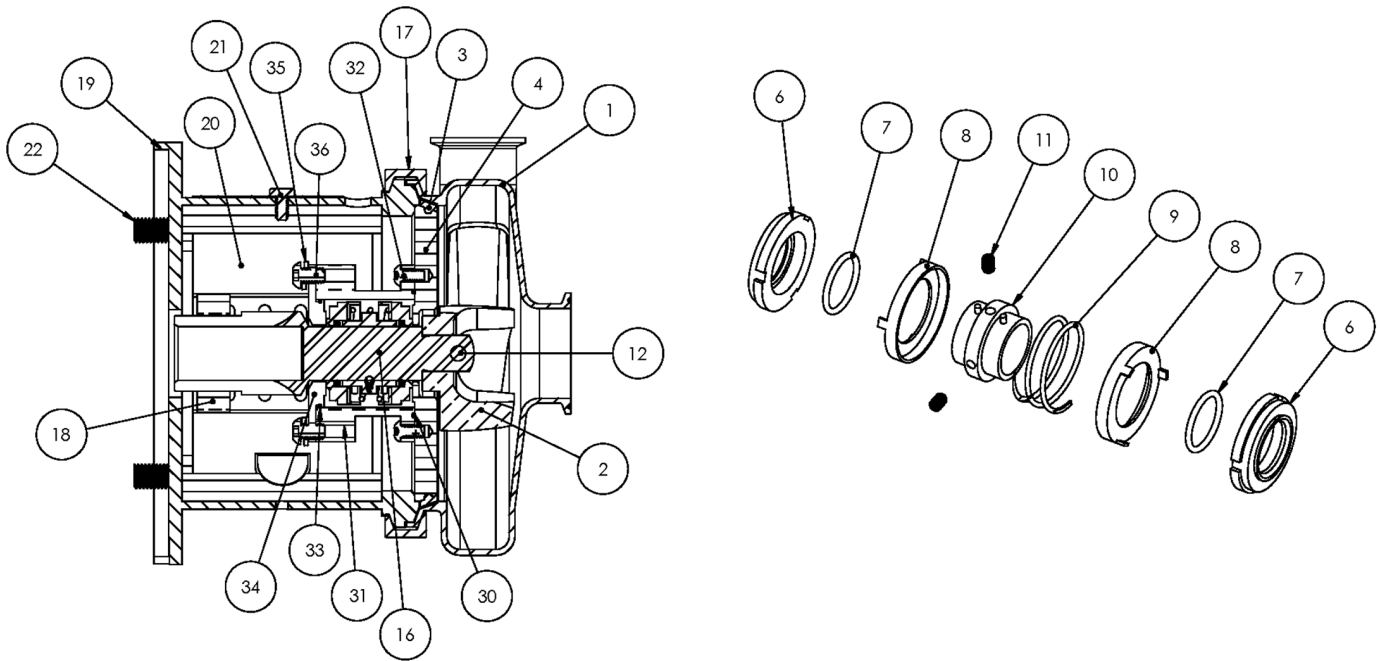


2	Impeller
15	Impeller Key
12	Impeller Nut
16	Stub Shaft
18	Shaft Collar
13	Impeller Nut Gasket
14	Impeller Gasket Back

**AC+ Conversion Kit**

*Optional Items Shown in ITALICS*

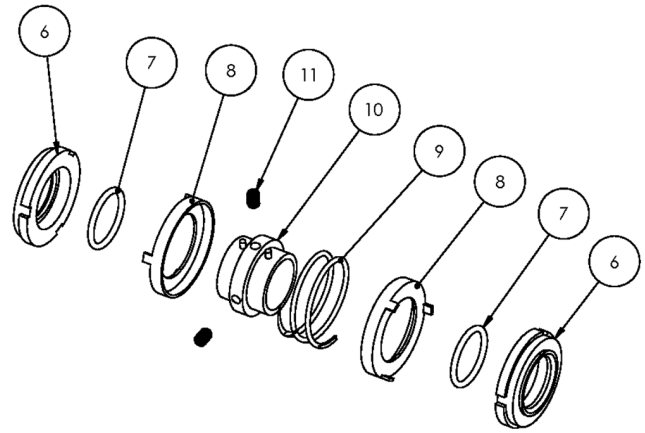
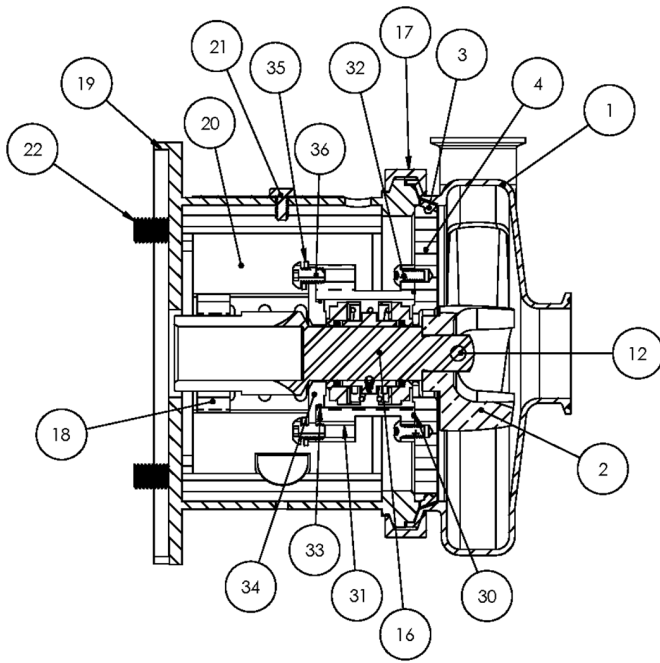
Ref #	Component Item No.	Description	Qty Per
1	<b>C+KIT-328/28</b>	<b>KIT,328,280TC,C+CONVRT,BUNA C</b>	<b>1</b>
	<i>C+KIT-328/28-E</i>	<i>KIT,328,280TC,C+CONVRT,EPDM C</i>	<i>1</i>
	<i>C+KIT-328/28-V</i>	<i>KIT,328,280TC,C+CONVRT,VIT C</i>	<i>1</i>



**Exploded View**

*Optional Items Shown in ITALICS*

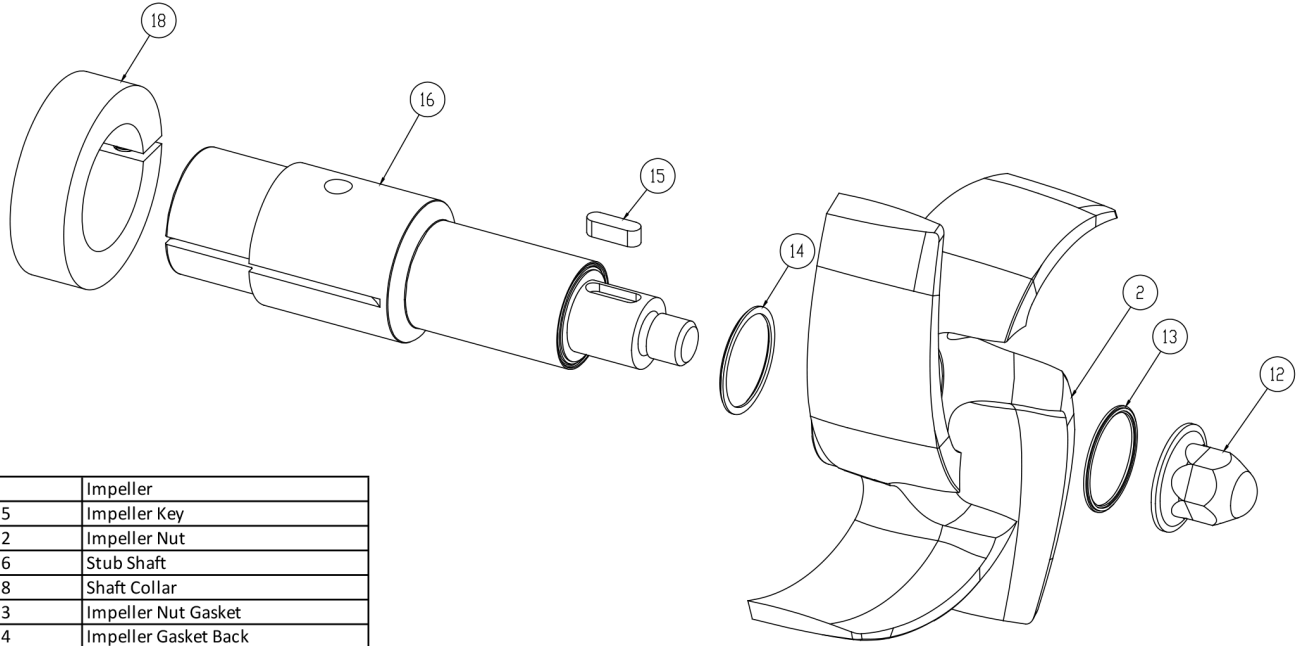
Ref #	Component Item No.	Description	Qty Per
1	<b>S428M-01C-E</b>	<b>CASING,4X2,TRI-CLMP C428/C+428</b>	1
	<i>S428T-01C-E</i>	<i>CASING,4X2,BVL SEAT C428/C+428</i>	1
	<i>S428MI-01C-E</i>	<i>CASING,4X2,CLMP GLASS BEAD C428/C+428</i>	1
	<i>S428S-01C-E</i>	<i>CASING,4X2,NPT C428/C+428</i>	1
	<i>S428F-01D-E</i>	<i>CASING,4X2,FLNGD C428/C+428</i>	1
2	<b>S328-02C</b>	<b>IMPELLER,328/428 C UNIVERSAL</b>	1
3	<b>S328-90A-U</b>	<b>GASKET,218/328,CASING,BUNA C C+</b>	1
	<i>S328-90A-E</i>	<i>GASKET,218/328,CASING,EPDM C C+</i>	1
	<i>S328-90A-V</i>	<i>GASKET,218/328,CASING,VIT C C+</i>	1
4	<b>328E-11B-316</b>	<b>BACKPLATE,E,218/328 C C+</b>	1
6	<b>328E-80-1A</b>	<b>SEAL,218/328,3218,CARBON C C+</b>	2
7	<b>S328-80-2-U</b>	<b>O-RING,218/328,SEAL,BUNA C C+</b>	2
	<i>S328-80-2-E</i>	<i>O-RING,218/328,SEAL,EPDM,2-222 C C+</i>	2
	<i>S328-80-2-V</i>	<i>O-RING,218/328,SEAL,VIT C C+</i>	2
8	<b>328E-80-3P</b>	<b>CUP,E,218/318/328/428 C C+</b>	2
9	<b>328E-80-4A</b>	<b>SPRING,E,218/318/328/428 C C+</b>	1
10	<b>328E-23-316L</b>	<b>COLLAR,E,218/328/428,DRIVE C C+</b>	1
11	<b>SC1103A-SS</b>	<b>SCREW,SET,1/4-20X1/4 E BALANCED</b>	2
12	<b>328D-24B-316L</b>	<b>RETAINER,IMPLR</b>	1
16	<b>CS328E28TS-06</b>	<b>STUBSHAFT,280TSC,UNIVRSL C218/C328</b>	1
17	<b>S328-75AR-S</b>	<b>CLAMP,218/328,CASING C C+</b>	1
18	<b>SX18000035</b>	<b>COLLAR,250TC/280TSC,SHAFT LC</b>	1
19	<b>328D28T-71C-SS</b>	<b>ADAPTER,280TC/TSC FRAME,SS C218/C328/C+218/C+328</b>	1
20	<b>C328-28T-131-S</b>	<b>GUARD,SEAL,218/328/428/4410,SS C C+</b>	1
21	<b>GX5079600</b>	<b>CAPSCRW,HX,1/4-20X1/2,18-8SS HX HD</b>	1
22	<b>SC1710H-SS</b>	<b>CAPSCRW,HX,1/2-13X1,18-8SS HX HD</b>	4
30	<b>17-153-U</b>	<b>O-RING,218,STUFF BX,BUNA C</b>	1



**Exploded View**

*Optional Items Shown in ITALICS*

Ref #	Component Item No.	Description	Qty Per
30	17-153-E	O-RING,218,STUFF BX,EPDM C C+	1
	17-153-V	O-RING,218,STUFF BX,VIT C C+	1
31	328E-83B-316	STUFFING BOX,E,218/328 C C+	1
32	SC1308H-SS	CAPSCRW,BH,5/16-18 X1/2,18-8SS BUTTON HD	4
33	17-274-U	O-RING,218,FOLLOWER,BUNA C C+	1
	17-274-E	O-RING,218,FOLLOWER,EPDM C C+	1
	17-274-V	O-RING,218,FOLLOWER,VIT C C+	1
34	328E-17-316	FOLLOWER,E,218/328,+218/328 C C+	1
35	LWA-1300-SS	WASHER,LOCK,5/16,18-8SS	4
36	SC1308E-SS	CAPSCRW,BH,5/16-18X3/4,18-8SS BUTTON HD	4

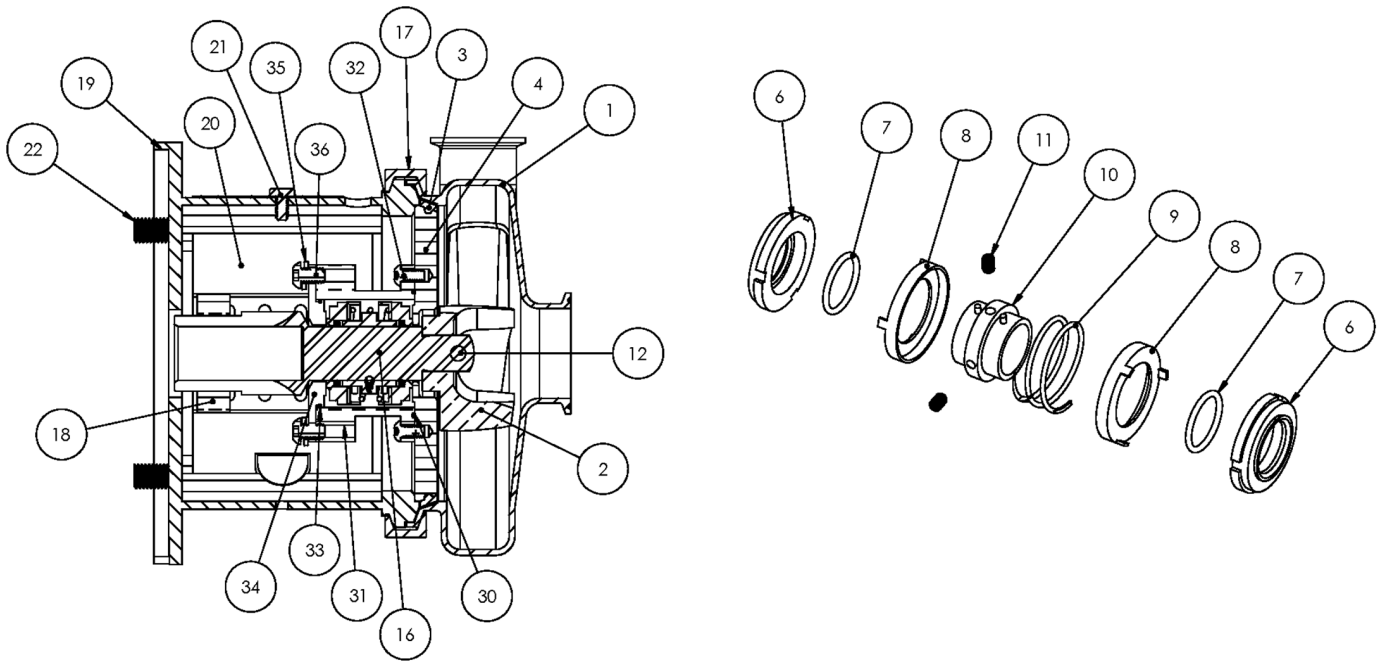


2	Impeller
15	Impeller Key
12	Impeller Nut
16	Stub Shaft
18	Shaft Collar
13	Impeller Nut Gasket
14	Impeller Gasket Back

**AC+ Conversion Kit**

*Optional Items Shown in ITALICS*

Ref #	Component Item No.	Description	Qty Per
1	<b>C+KIT-328/28TS</b>	<b>KIT,328,280TSC,C+CONVRT,BUNA C</b>	<b>1</b>
	<i>C+KIT-328/28TSE</i>	<i>KIT,328,280TSC,C+CONVRT,EPDM C</i>	<i>1</i>
	<i>C+KIT-328/28TSV</i>	<i>KIT,328,280TSC,C+CONVRT,VIT C</i>	<i>1</i>

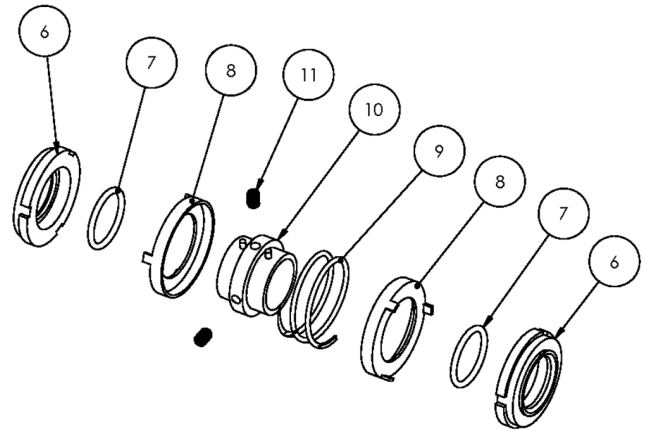
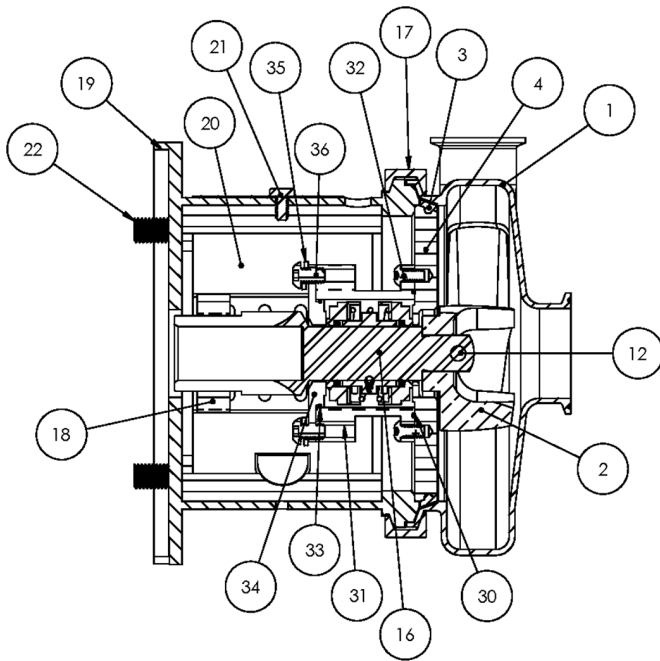


**Exploded View**

*Optional Items Shown in ITALICS*

Ref #	Component Item No.	Description	Qty Per
1	<b>S428M-01C-E</b>	<b>CASING,4X2,TRI-CLMP C428/C+428</b>	1
	<i>S428T-01C-E</i>	<i>CASING,4X2,BVL SEAT C428/C+428</i>	1
	<i>S428MI-01C-E</i>	<i>CASING,4X2,CLMP GLASS BEAD C428/C+428</i>	1
	<i>S428S-01C-E</i>	<i>CASING,4X2,NPT C428/C+428</i>	1
	<i>S428F-01D-E</i>	<i>CASING,4X2,FLNGD C428/C+428</i>	1
2	<b>S328-02C</b>	<b>IMPELLER,328/428 C UNIVERSAL</b>	1
3	<b>S328-90A-U</b>	<b>GASKET,218/328,CASING,BUNA C C+</b>	1
	<i>S328-90A-E</i>	<i>GASKET,218/328,CASING,EPDM C C+</i>	1
	<i>S328-90A-V</i>	<i>GASKET,218/328,CASING,VIT C C+</i>	1
4	<b>328E-11B-316</b>	<b>BACKPLATE,E,218/328 C C+</b>	1
6	<b>328E-80-1A</b>	<b>SEAL,218/328,3218,CARBON C C+</b>	2
7	<b>S328-80-2-U</b>	<b>O-RING,218/328,SEAL,BUNA C C+</b>	2
	<i>S328-80-2-E</i>	<i>O-RING,218/328,SEAL,EPDM,2-222 C C+</i>	2
	<i>S328-80-2-V</i>	<i>O-RING,218/328,SEAL,VIT C C+</i>	2
8	<b>328E-80-3P</b>	<b>CUP,E,218/318/328/428 C C+</b>	2
9	<b>328E-80-4A</b>	<b>SPRING,E,218/318/328/428 C C+</b>	1
10	<b>328E-23-316L</b>	<b>COLLAR,E,218/328/428,DRIVE C C+</b>	1
11	<b>SC1103A-SS</b>	<b>SCREW,SET,1/4-20X1/4 E BALANCED</b>	2
12	<b>328D-24B-316L</b>	<b>RETAINER,IMPLR</b>	1
16	<b>CS328E32T-06</b>	<b>STUBSHAFT,320TC,UNIVRSL C218/C328</b>	1
17	<b>S328-75AR-S</b>	<b>CLAMP,218/328,CASING C C+</b>	1
18	<b>SX18000028</b>	<b>COLLAR,320TC,SHAFT LCX</b>	1
19	<b>328D32T-71C-SS</b>	<b>ADAPTER,320TC FRAME,SS C218/C328/C+218/C+328</b>	1
20	<b>C328-28T-131-S</b>	<b>GUARD,SEAL,218/328/428/4410,SS C C+</b>	1
21	<b>GX5079600</b>	<b>CAPSCRW,HX,1/4-20X1/2,18-8SS HX HD</b>	1
22	<b>GX5076700</b>	<b>CAPSCRW,HX,5/8-11X1-1/2,18-8SS HX HD</b>	4
30	<b>17-153-U</b>	<b>O-RING,218,STUFF BX,BUNA C</b>	1

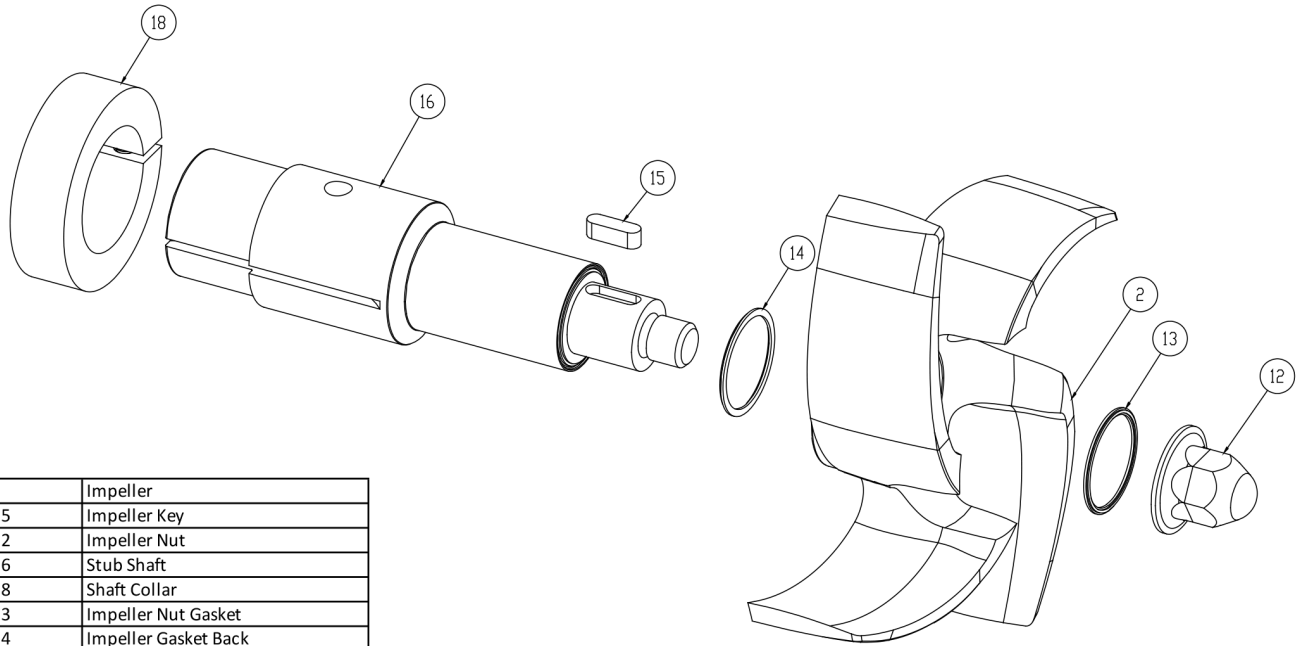




**Exploded View**

*Optional Items Shown in ITALICS*

Ref #	Component Item No.	Description	Qty Per
30	<i>17-153-E</i>	<i>O-RING,218,STUFF BX,EPDM C C+</i>	1
	<i>17-153-V</i>	<i>O-RING,218,STUFF BX,VIT C C+</i>	1
31	<b>328E-83B-316</b>	<b>STUFFING BOX,E,218/328 C C+</b>	1
32	<b>SC1308H-SS</b>	<b>CAPSCRW,BH,5/16-18 X1/2,18-8SS BUTTON HD</b>	4
33	<b>17-274-U</b>	<b>O-RING,218,FOLLOWER,BUNA C C+</b>	1
	<i>17-274-E</i>	<i>O-RING,218,FOLLOWER,EPDM C C+</i>	1
	<i>17-274-V</i>	<i>O-RING,218,FOLLOWER,VIT C C+</i>	1
34	<b>328E-17-316</b>	<b>FOLLOWER,E,218/328,+218/328 C C+</b>	1
35	<b>LWA-1300-SS</b>	<b>WASHER,LOCK,5/16,18-8SS</b>	4
36	<b>SC1308E-SS</b>	<b>CAPSCRW,BH,5/16-18X3/4,18-8SS BUTTON HD</b>	4

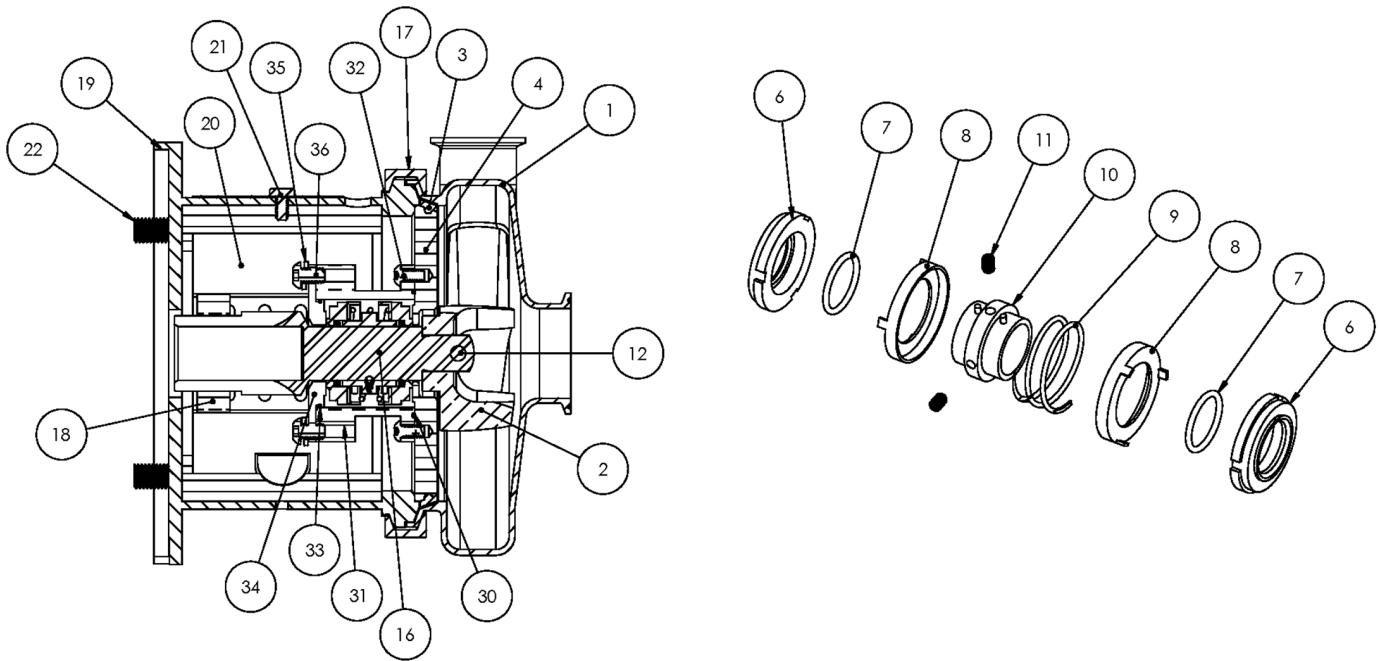


2	Impeller
15	Impeller Key
12	Impeller Nut
16	Stub Shaft
18	Shaft Collar
13	Impeller Nut Gasket
14	Impeller Gasket Back

**AC+ Conversion Kit**

*Optional Items Shown in ITALICS*

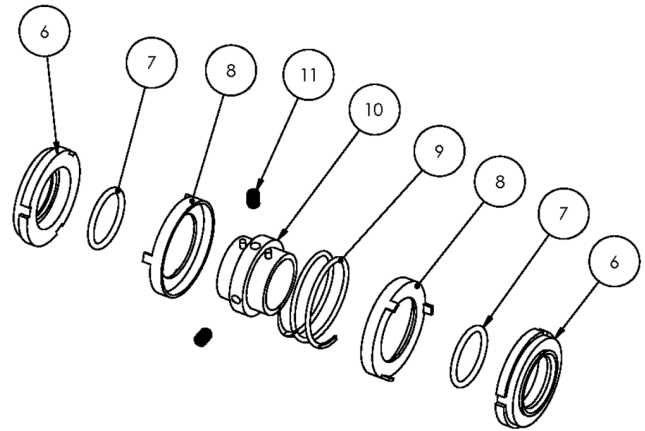
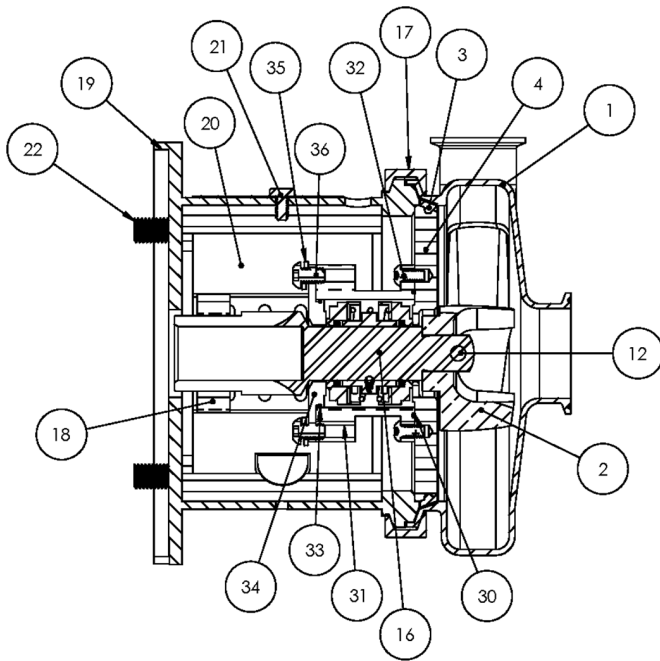
Ref #	Component Item No.	Description	Qty Per
1	<b>C+KIT-328/32</b>	<b>KIT,328,320TC,C+CONVRT,BUNA C</b>	<b>1</b>
	<i>C+KIT-328/32-E</i>	<i>KIT,328,320TC,C+CONVRT,EPDM C</i>	<i>1</i>
	<i>C+KIT-328/32-V</i>	<i>KIT,328,320TC,C+CONVRT,VIT C</i>	<i>1</i>



**Exploded View**

*Optional Items Shown in ITALICS*

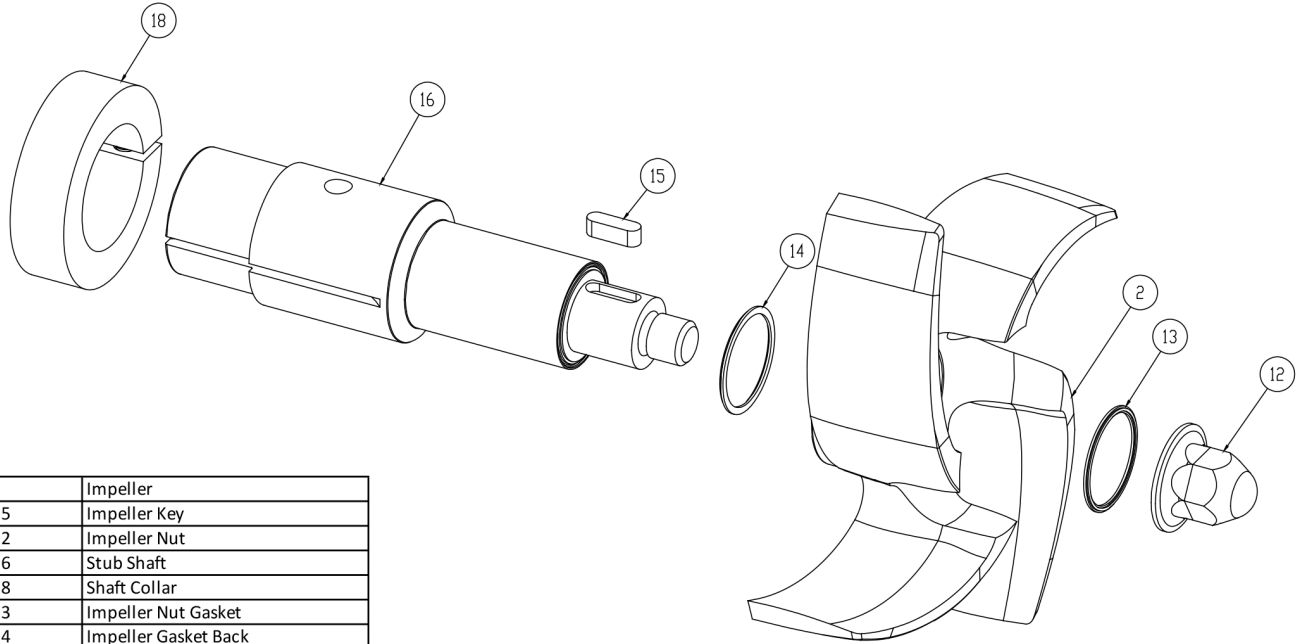
Ref #	Component Item No.	Description	Qty Per
1	<b>S428M-01C-E</b>	<b>CASING,4X2,TRI-CLMP C428/C+428</b>	1
	<i>S428T-01C-E</i>	<i>CASING,4X2,BVL SEAT C428/C+428</i>	1
	<i>S428MI-01C-E</i>	<i>CASING,4X2,CLMP GLASS BEAD C428/C+428</i>	1
	<i>S428S-01C-E</i>	<i>CASING,4X2,NPT C428/C+428</i>	1
	<i>S428F-01D-E</i>	<i>CASING,4X2,FLNGD C428/C+428</i>	1
2	<b>S328-02C</b>	<b>IMPELLER,328/428 C UNIVERSAL</b>	1
3	<b>S328-90A-U</b>	<b>GASKET,218/328,CASING,BUNA C C+</b>	1
	<i>S328-90A-E</i>	<i>GASKET,218/328,CASING,EPDM C C+</i>	1
	<i>S328-90A-V</i>	<i>GASKET,218/328,CASING,VIT C C+</i>	1
4	<b>328E-11B-316</b>	<b>BACKPLATE,E,218/328 C C+</b>	1
6	<b>328E-80-1A</b>	<b>SEAL,218/328,3218,CARBON C C+</b>	2
7	<b>S328-80-2-U</b>	<b>O-RING,218/328,SEAL,BUNA C C+</b>	2
	<i>S328-80-2-E</i>	<i>O-RING,218/328,SEAL,EPDM,2-222 C C+</i>	2
	<i>S328-80-2-V</i>	<i>O-RING,218/328,SEAL,VIT C C+</i>	2
8	<b>328E-80-3P</b>	<b>CUP,E,218/318/328/428 C C+</b>	2
9	<b>328E-80-4A</b>	<b>SPRING,E,218/318/328/428 C C+</b>	1
10	<b>328E-23-316L</b>	<b>COLLAR,E,218/328/428,DRIVE C C+</b>	1
11	<b>SC1103A-SS</b>	<b>SCREW,SET,1/4-20X1/4 E BALANCED</b>	2
12	<b>328D-24B-316L</b>	<b>RETAINER,IMPLR</b>	1
16	<b>CS328E32TS-06</b>	<b>STUBSHAFT,320TSC,UNIVRSL C218/C328</b>	1
17	<b>S328-75AR-S</b>	<b>CLAMP,218/328,CASING C C+</b>	1
18	<b>SX18000027</b>	<b>COLLAR,280TC/320TSC,SHAFT LC</b>	1
19	<b>328D32TS-71C-SS</b>	<b>ADAPTER,320TSC FRAME,SS C218/C328/C+218/C+328</b>	1
20	<b>C328-28T-131-S</b>	<b>GUARD,SEAL,218/328/428/4410,SS C C+</b>	1
21	<b>GX5079600</b>	<b>CAPSCRW,HX,1/4-20X1/2,18-8SS HX HD</b>	1
22	<b>GX5076700</b>	<b>CAPSCRW,HX,5/8-11X1-1/2,18-8SS HX HD</b>	4
30	<b>17-153-U</b>	<b>O-RING,218,STUFF BX,BUNA C</b>	1



**Exploded View**

*Optional Items Shown in ITALICS*

Ref #	Component Item No.	Description	Qty Per
30	17-153-E	O-RING,218,STUFF BX,EPDM C C+	1
	17-153-V	O-RING,218,STUFF BX,VIT C C+	1
31	328E-83B-316	STUFFING BOX,E,218/328 C C+	1
32	SC1308H-SS	CAPSCRW,BH,5/16-18 X1/2,18-8SS BUTTON HD	4
33	17-274-U	O-RING,218,FOLLOWER,BUNA C C+	1
	17-274-E	O-RING,218,FOLLOWER,EPDM C C+	1
	17-274-V	O-RING,218,FOLLOWER,VIT C C+	1
34	328E-17-316	FOLLOWER,E,218/328,+218/328 C C+	1
35	LWA-1300-SS	WASHER,LOCK,5/16,18-8SS	4
36	SC1308E-SS	CAPSCRW,BH,5/16-18X3/4,18-8SS BUTTON HD	4



2	Impeller
15	Impeller Key
12	Impeller Nut
16	Stub Shaft
18	Shaft Collar
13	Impeller Nut Gasket
14	Impeller Gasket Back

**AC+ Conversion Kit**

*Optional Items Shown in ITALICS*

Ref #	Component Item No.	Description	Qty Per
1	<b>C+KIT-328/32TS</b>	<b>KIT,328,320TSC,C+CONVRT,BUNA C</b>	<b>1</b>
	<i>C+KIT-328/32TSE</i>	<i>KIT,328,320TSC,C+CONVRT,EPDM C</i>	<i>1</i>
	<i>C+KIT-328/32TSV</i>	<i>KIT,328,320TSC,C+CONVRT,VIT C</i>	<i>1</i>