

# SALES & ENGINEERING DATA

RATIO SERIES: **1:1**

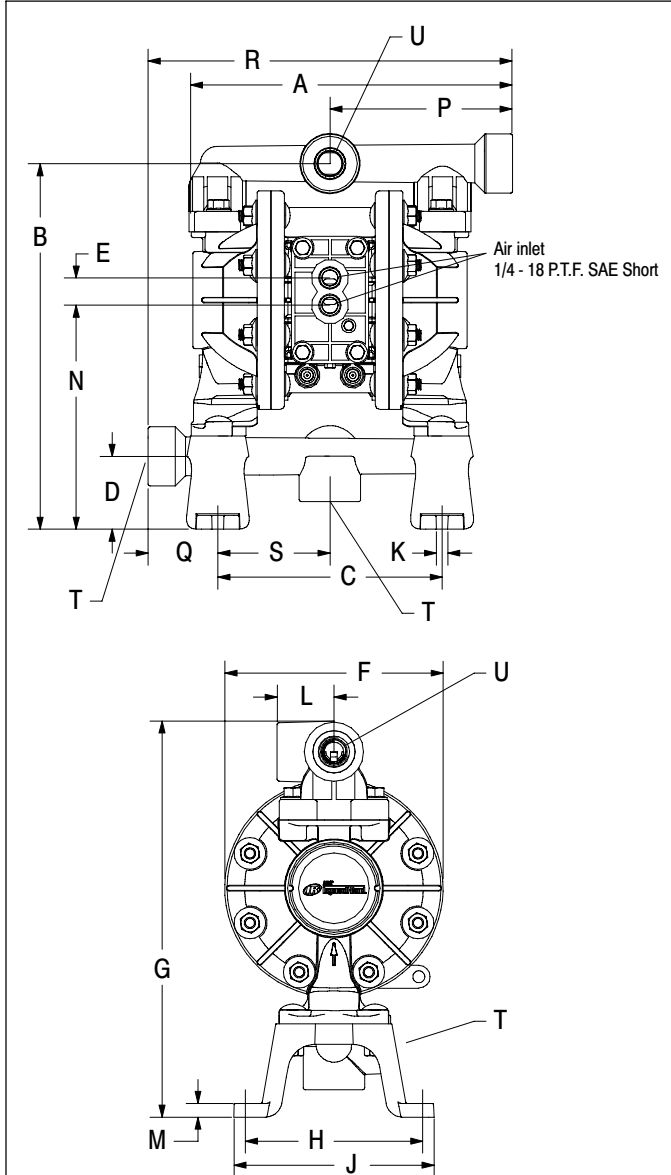
FLUID P.S.I. RANGE: **10 - 100**

## PE05P-XXS-XXX-B0S

### 1/2" NON-METALLIC DIAPHRAGM PUMP

RELEASED: 10-27-05  
 REVISED: 6-9-10  
 (REV. 03) S-1388

#### DIMENSIONAL DATA



#### DIMENSIONS

A 8-27/32" (224.3 mm)	G 10-7/8" (275.7 mm)	N 6-3/16" (157.1 mm)
B 10-1/16" (255.0 mm)	H 4-7/8" (123.8 mm)	P 5" (127.0 mm)
C 6.164" (156.6 mm)	J 5-1/2" (139.7 mm)	Q 1-59/64" (48.8 mm)
D 2" (50.8 mm)	K 5/16" (8.0 mm)	R 10" (254.0 mm)
E 3/4" (19.1 mm)	L 1-9/16" (39.7 mm)	S 3-3/32" (78.3 mm)
F 6" (152.4 mm)	M 3/8" (9.5 mm)	

Model	"T" Material Inlet	"U" Material Outlet
PE05P-AXS-XXX-B0S	1/2 - 14 N.P.T.F. - 1	1/2 - 14 N.P.T.F. - 1
PE05P-BXS-XXX-B0S	Rp 1/2 (1/2 - 14 BSP)	Rp 1/2 (1/2 - 14 BSP)

NOTE: Dimensions are shown in inches and (mm) and are supplied for reference only.

#### SPECIFICATIONS

##### CONSTRUCTION

Model Series	PE05P-XXS-XXX-B0S
Pump Type	Non-Metallic, Air Operated, Double Diaphragm
Ratio	1:1
Material Inlet / Outlet (female)	
PE05P-AXS-XXX-B0S	1/2 - 14 N.P.T.F. - 1
PE05P-BXS-XXX-B0S	Rp 1/2 (1/2 - 14 BSP parallel)
Air Inlet (female)	1/4 - 18 P.T.F. SAE short
Air Exhaust (standard)	internal
(optional) (female)	3/8 - 18 N.P.T.F. - 1
Weight	
PE05P-XDS-XXX-B0S	5.86 lbs (2.66 kgs)
PE05P-XES-XXX-B0S	6.25 lbs (2.84 kgs)
PE05P-XKS-XXX-B0S	6.36 lbs (2.88 kgs)
PE05P-XLS-XXX-B0S	6.82 lbs (3.09 kgs)
PE05P-XPS-XXX-B0S	4.79 lbs (2.17 kgs)
PE05P-XRS-XXX-B0S	5.02 lbs (2.28 kgs)
Air Section Service Kit	637428
Fluid Section Service Kit	637427-XX

PE05P-XXS- X X X -B0S

637427 - X X

Diaphragm Material  
Ball Material

EXAMPLE: Model #PE05P-ARS-SAA-B0S  
 Fluid Section Service Kit is 637427-AA

##### PERFORMANCE

Air Inlet Pressure Range	10 - 100 p.s.i. (0.69 - 6.9 bar)
Maximum Material Inlet Pressure	10 p.s.i. (0.69 bar)
Fluid Outlet Pressure Range	10 - 100 p.s.i. (0.69 - 6.9 bar)
Maximum Flow Rate (flooded inlet)	14.4 g.p.m. (54.5 l.p.m.)
Displacement / Cycle @ 100 p.s.i.	0.039 gal. (0.15 lit.)
Maximum Particle Size	3/32" dia. (2.4 mm)
Maximum Temperature Limits (diaphragm / ball / seat material)	
Acetal	10° to 180° F (-12° to 82° C)
Hytrel	-20° to 150° F (-29° to 66° C)
Kynar PVDF	10° to 200° F (-12° to 93° C)
Nitrile	10° to 180° F (-12° to 82° C)
Polypropylene	35° to 150° F (2° to 66° C)
Polyurethane	10° to 150° F (-12° to 66° C)
Santoprene	-40° to 225° F (-40° to 107° C)
PTFE	40° to 225° F (4° to 107° C)
Viton	-40° to 350° F (-40° to 177° C)
Noise Level @ 70 p.s.i. - 60 c.p.m.①	75.0 db(A)②

##### Notes:

- ① Tested with 67367 muffler assembly installed.
- ② The pump sound pressure level has been updated to an Equivalent Continuous Sound Level (L<sub>Aeq</sub>) to meet the intent of ANSI S1. 13-1971, CAGI-PNEUROPS S5.1 using four microphone locations.

##### ACCESSORIES:

637438 Ported Exhaust Kit  
 93110 Muffler

# PERFORMANCE CURVES

## PE05P-XXS-XXX-B0S 1/2" NON-METALLIC DIAPHRAGM PUMP

