

BALDOR® • **RELIANCE**

Product Information Packet

ANFL3507M

.75HP, 1725RPM, 1PH, 60HZ, 48YZ, 3428LC, TEFC

Part Detail							
Revision:	AC	Status:	PRD/A	Change #:		Proprietary:	No
Type:	AC	Prod. Type:	3428LC	Elec. Spec:	34WGX030	CD Diagram:	CD0320
Enclosure:	TEFC	Mfg Plant:		Mech. Spec:	34H318	Layout:	34LYH318
Frame:	48YZ	Mounting:	F1	Poles:	04	Created Date:	
Base:	N	Rotation:	R	Insulation:	B	Eff. Date:	09-21-2016
Leads:	6#18,1#16 #4TH					Replaced By:	
Literature:		Elec. Diagram:					

Nameplate NP1280L	
CAT.NO.	ANFL3507M
SPEC.	34H318X030G1
HP	.75
VOLTS	115/230
AMP	8.2/4.1
RPM	1725
FRAME	48YZ
	HZ 60
	PH 1
SER.F.	1.25
	CODE J
	DES N
	CL B
NEMA-NOM-EFF	74
	PF 80
RATING	40C AMB-CONT
CC	USABLE AT 208V 5.4
DE	6203
	ODE 6203
ENCL	TEFC
	SN
	SFA 9.8/4.9

Parts List		
Part Number	Description	Quantity
SA010437	SA 34H318X030G1	1.000 EA
RA006806	RA 34H318X030G1	1.000 EA
OC3020F12	CYL OIL CAP 20MFD/370V	1.000 EA
TPMRJ30RB	THERMAL 1PH 0.75 MAN 120C	1.000 EA
EC4270A01	ELEC CAP 125V 1.48D X 2.75H	1.000 EA
34CB3001A39P	CONDUIT BOX, PRIMER ONLY	1.000 EA
NS2512A01	INSULATOR, CONDUIT BOX X	1.000 EA
34GS1013SP	GASKET, CONDUIT BOX LEXIDE	1.000 EA
51XB1016A07	10-16 X 7/16 HXWSSLD SERTYB	2.000 EA
11XW1032G06	10-32 X .38, TAPTITE II, HEX WSHR SLTD U	1.000 EA
RM1014A01SP	BUTYL RUB. THRM COV. (MENA)	1.000 EA
HA6001A01	THERMAL RETAINER (PLATED)	1.000 EA
51XB1214A08	12-14 X 1/2HX WS SL SR TYBX	2.000 EA
51XW0832A07	8-32 X .44, TAPTITE II, HEX WSHR SLTD SE	2.000 EA
34EP3102A01SP	FR ENDPLATE, MACH	1.000 EA
34CB3801	CAPACITOR BOX, DIE CAST	1.000 EA
34GS3002	GASKET, CAPACITOR BOX	1.000 EA
51XB1214A08	12-14 X 1/2HX WS SL SR TYBX	2.000 EA
HW5100A03SP	WAVY WASHER (W1543-017)	1.000 EA
34EP3500A01	ENDPLATE, MACH	1.000 EA
XY1032A02	10-32 HEX NUT DIRECTIONAL SERRATION	4.000 EA
34FN3002A01SP	EXTERNAL FAN, PLASTIC, .637/.639 HUB W/	1.000 EA
34FH4002A03SP	IEC FH NO GREASER W/.88 DIA SHAFT HOLE,	1.000 EA
51XW1032A06	10-32 X .38, TAPTITE II, HEX WSHR SLTD S	3.000 EA

Parts List (continued)		
Part Number	Description	Quantity
36CB4516	36 LIPPED CB LID	1.000 EA
37GS1001	GASKET, CONDUIT BOX LID, .06 THICK LEXID	1.000 EA
51XW0832A07	8-32 X .44, TAPTITE II, HEX WSHR SLTD SE	4.000 EA
34GS5003A01	FOAM SLEEVE, ID = 2 1/16" X 4 3/8"	3.000 EA
MG1025C02	WILKOFASST SG, 787.105, TAN	0.014 GA
10XF0440S02	04-40 X 1/8 TYPE F HEX HD STAINLESS STIC	2.000 EA
WD4006A01	WIRE JOINT,T&B RB-4 OR RB-44	1.000 EA
SP5056A18	MODEL 34 TYPE LC STATIONARY SWITCH WITH	1.000 EA
HA3100A38	THRUBOLT 10-32 X 9.375	4.000 EA
MN416A01	TAG-INSTAL-MAINT no wire (1200/bx) 11/14	1.000 EA
LB1119N	WARNING LABEL	1.000 EA
LB1087	LABEL,MANUAL RESET (ROLL LABEL)	1.000 EA
LC0269	1PH,DV,REV,THERMAL,7 LD,L.AMP THRU HTR H	1.000 EA
NP1280L	ALUM FARM DUTY UL CSA CC THERMAL	1.000 EA
35PA1000	PKG GRP, PRINT PK1008A06	1.000 EA
PK3083T	STYROFOAM PACKING CRADLE W/TAPE	1.000 EA

AC Induction Motor Performance Data
Record # 7187 - Typical performance - not guaranteed values

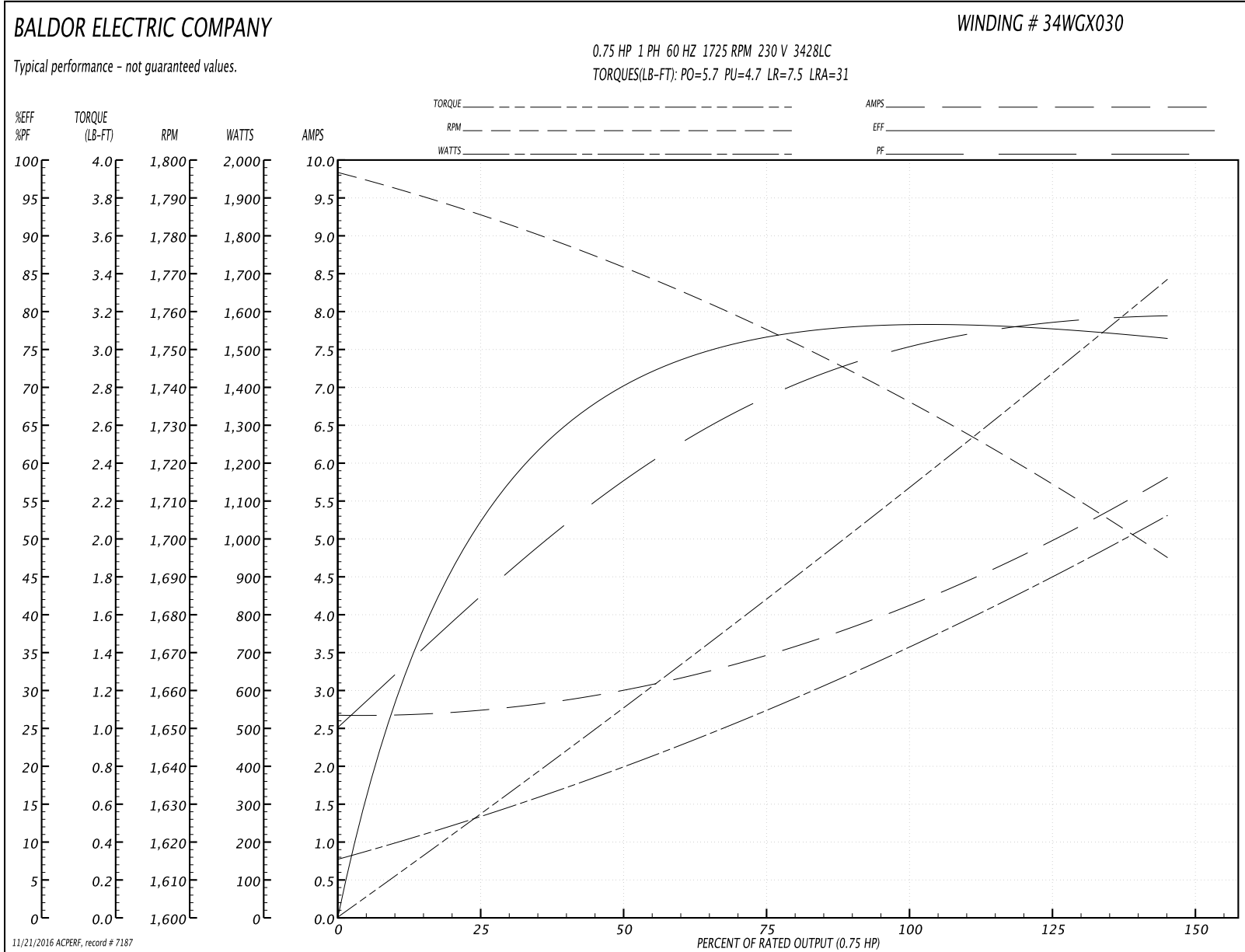
Winding: 34WGX030-R001	Type: 3428LC	Enclosure: TEFC
-------------------------------	---------------------	------------------------

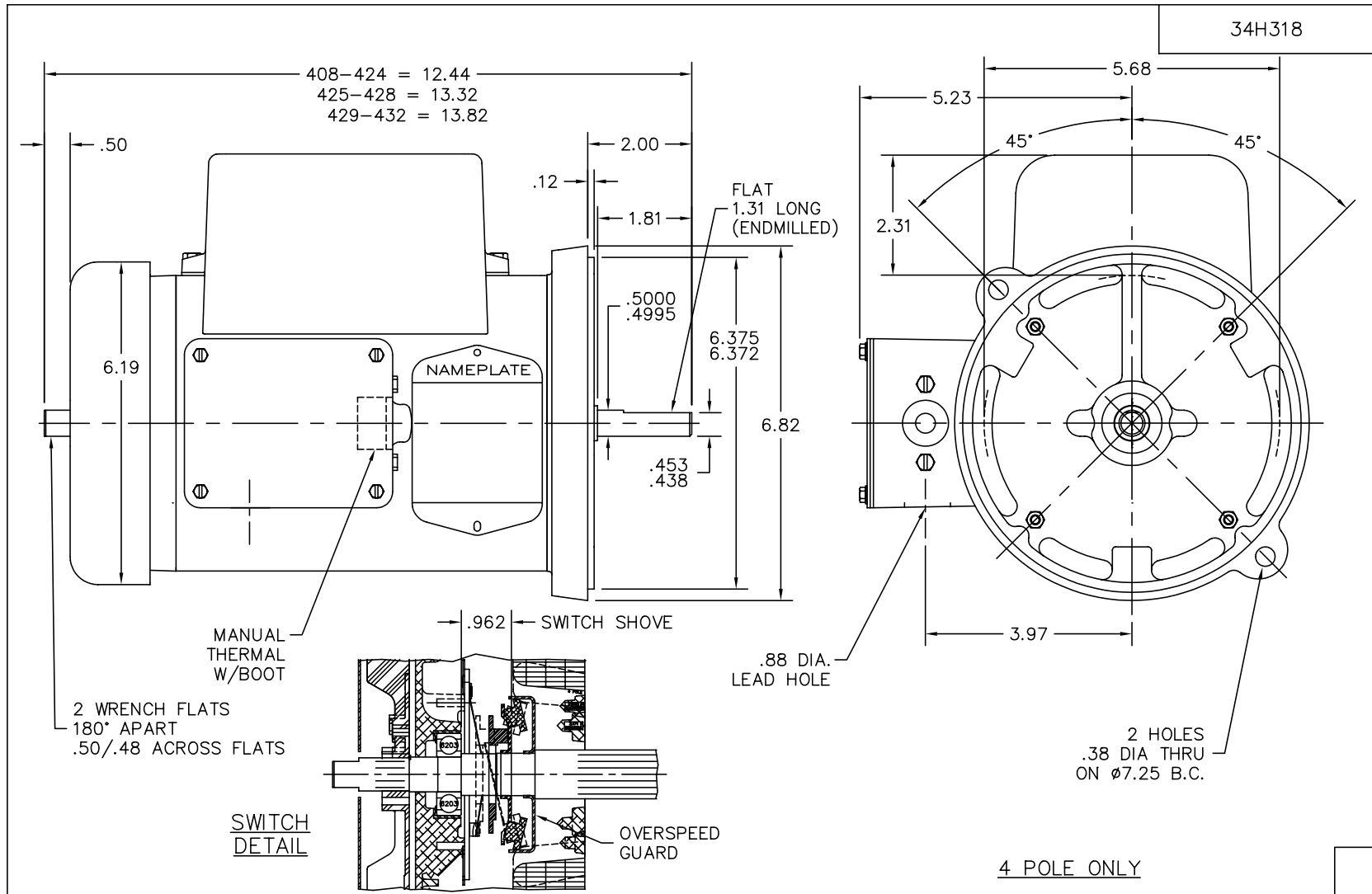
Nameplate Data				230 V, 60 Hz: High Voltage Connection	
Rated Output (HP)	.75			Full Load Torque	2.25 LB-FT
Volts	115/230			Start Configuration	direct on line
Full Load Amps	8.2/4.1			Breakdown Torque	5.7 LB-FT
R.P.M.	1725			Pull-up Torque	4.7 LB-FT
Hz	60	Phase	1	Locked-rotor Torque	7.5 LB-FT
NEMA Design Code	N	KVA Code	J	Starting Current	31 A
Service Factor (S.F.)	1.25			No-load Current	2.7 A
NEMA Nom. Eff.	74	Power Factor	80	Line-line Res. @ 25°C	3.11 Ω A Ph 1.73 Ω B Ph
Rating - Duty	40C AMB-CONT			Temp. Rise @ Rated Load	62°C
S.F. Amps	9.8/4.9			Temp. Rise @ S.F. Load	81°C

Load Characteristics 230 V, 60 Hz, 0.75 HP

% of Rated Load	25	50	75	100	125	150	S.F.
Power Factor	43	61	72	80	85	87	0
Efficiency	53.6	67.7	73	73.9	93.2	71.4	0
Speed	1784	1770	1755	1739	1717	1694	0
Line amperes	2.7	3	3.5	4.1	4.9	5.8	4.9

Performance Graph at 230V, 60Hz, 0.75HP Typical performance - Not guaranteed values

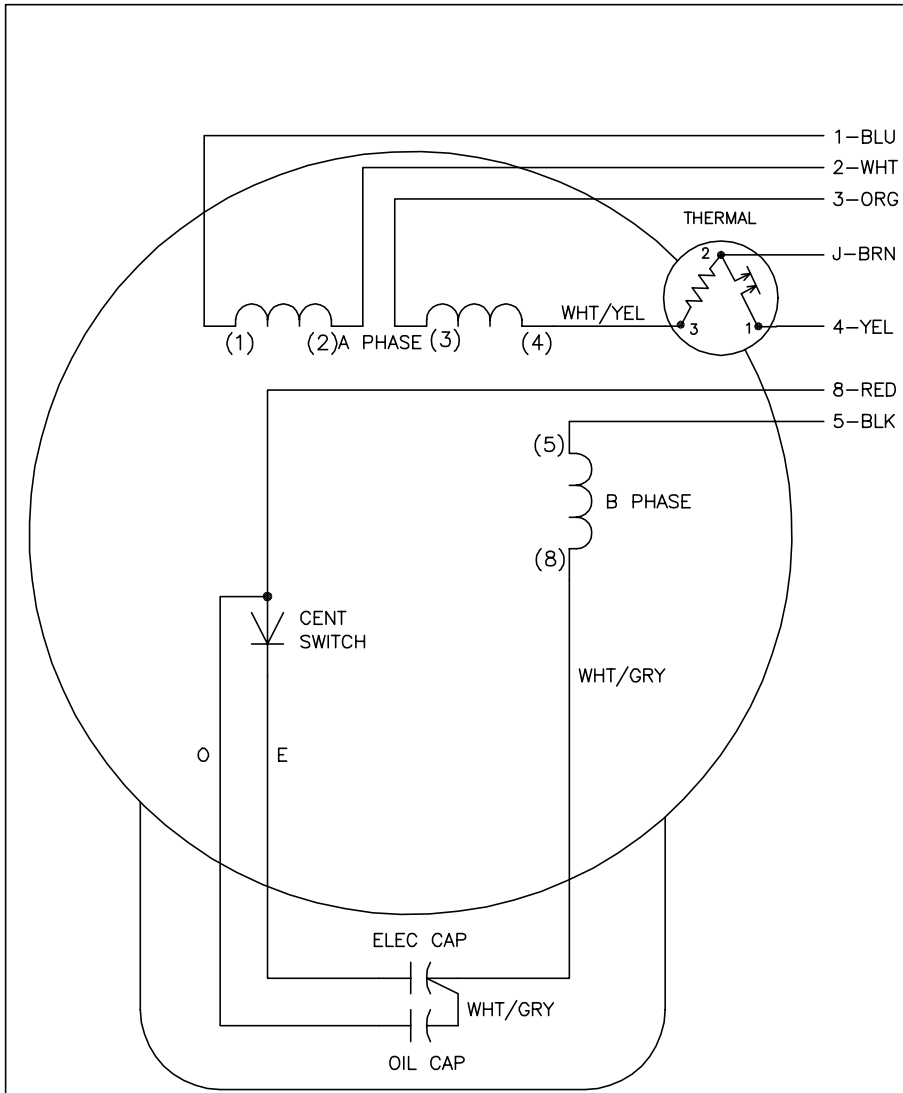




CUST. NAME		CUST. P.O.		CERTIFIED BY		MODEL		INSUL		AMB							
H.P.		MTG		TYPE		R.P.M.		VOLTS		ENCL		PHASE		FREQ		FRAME	
REMARKS:												BALDOR ELECTRIC Co.					
REV: - NEW																	
815H75		SCALE .4		BY: WMB		REVISED: 12/16/97		VERT 34L 48YZ TEFC DBL SHAFT W/MTO IN KOBX & OVERSPEED GUARD									
		FILE: AAA00049755				TDR: 0139094											

34H318

CD0320



	LINE A	LINE B	JOIN	JOIN
HIGH STD	1,8	4	2,3,5	J
HIGH OPP	1,5	4	2,3,8	J
LOW STD	1,3,8	4	-	2,J,5
LOW OPP	1,3,5	4	-	2,J,8

NOTES:

1. STANDARD ROTATION IS CCW FACING END OPPOSITE SHAFT EXTENSION.
2. MULTIPLE CAPACITORS ARE CONNECTED IN PARALLEL UNLESS OTHERWISE SPECIFIED.
3. LEAD COLORS ARE OPTIONAL. LEADS MUST ALWAYS BE NUMBERED AS SHOWN.

CD0320

REV. DESC: ADD INTERNAL CONNECTION TO HELP MANUFACTURING		
REV. LTR: G	VERSION: 01	TDR: 000000941594
FILE: \AAA\00007\422	REVISED: 02:21:00 08/28/2015	BY: ENALEMO
MTL: -	© □	

BALDOR

TYPE LC, DV, REV, THERMAL, B PH AMPS THRU HTR HVC, 7 LEAD

SH 1 of 1