

BALDOR® • ***RELIANCE***

Product Information Packet

ECP4106T

20HP,3540RPM,3PH,60HZ,256T,0944M,TEFC,F1

| Part Detail | | | | | | | |
|-------------|------|----------------|-------|-------------|----------|---------------|------------|
| Revision: | AE | Status: | PRD/A | Change #: | | Proprietary: | No |
| Type: | AC | Prod. Type: | 0944M | Elec. Spec: | 09WGY799 | CD Diagram: | CD0180 |
| Enclosure: | TEFC | Mfg Plant: | | Mech. Spec: | 09J371 | Layout: | 09LYJ371 |
| Frame: | 256T | Mounting: | F1 | Poles: | 02 | Created Date: | 08-29-2010 |
| Base: | RG | Rotation: | R | Insulation: | F | Eff. Date: | 10-26-2016 |
| Leads: | 9#12 | | | | | Replaced By: | |
| Literature: | | Elec. Diagram: | | | | | |

| Nameplate NP3241 | | | | | | | | | | | |
|------------------|--------------|--------------------|------|-----------|------------|-------------------------|------|------------|------|----------|----|
| CAT.NO. | ECP4106T | P/N | | ENCLOSURE | TEFC | | | | | | |
| SPEC. | 09J371Y799G1 | CC | 010A | FRAME | 256T | S/N | | | | | |
| HP | 20 | CLASS | F | HZ | 60 | DES | A | | | | |
| RPM | 3540 | RPM MAX | 5400 | PH | 3 | KVA-CODE | J | | | | |
| VOLT | 230/460 | MOTOR WEIGHT | 324 | | | | | | | | |
| AMP | 44/22 | SER.F. | 1.15 | PF | 92 | ODE BRG | 6309 | DE BRG | 6309 | | |
| RATING | 40C AMB-CONT | NEMA-NOM-EFF | 92.4 | GREASE | POLYREX EM | | | | | | |
| | | | | INV.TYPE | PWM | | | | | | |
| TEMP CODE | T3 | INVERTER-TEMP-CODE | 200 | | | | | | | | |
| TEMP = | 200 | C HP FR | 60 | C HP TO | 90 | | | | | | |
| CT HZ FROM | 6 | CT HZ TO | 60 | | | | | | | | |
| HTR-VOLTS | | HTR-AMPS | | HTR-WATTS | | MAX. SPACE HEATER TEMP. | | VT HZ FROM | 3 | VT HZ TO | 60 |

| Parts List | | |
|--------------|--|----------|
| Part Number | Description | Quantity |
| SA202236 | SA 09J371Y799G1 | 1.000 EA |
| RA189518 | RA 09J371Y799G1 | 1.000 EA |
| 37FN3002C02 | EXFN, PLASTIC, 6.00 OD, 1.500 ID | 1.000 EA |
| 09CB1002A12P | KOBX W/1.25 NPT LEAD HOLE & 2.38 MTG HOL | 1.000 EA |
| 09GS1010 | GASKET, DWG, LEADWIRE SEPERATOR | 1.000 EA |
| 10XN2520K12 | 1/4-20 X.75 GRD 5 | 4.000 EA |
| HW1001A25 | LOCKWASHER 1/4, ZINC PLT .493 OD, .255 I | 4.000 EA |
| WD1000B16 | T&B CX70TN TERMINAL | 1.000 EA |
| 10XN2520K08 | 1/4-20 X .50 GRADE #5, STL, ZINC PLATE | 1.000 EA |
| HW1001A25 | LOCKWASHER 1/4, ZINC PLT .493 OD, .255 I | 1.000 EA |
| HA3400A39 | STUD- 3/8-16 X 6.19 OAL HEX WELKER | 4.000 EA |
| HW1001A38 | LOCKWASHER 3/8, ZINC PLT .688 OD, .382 I | 4.000 EA |
| HW4600B44 | V-RING SLINGER 1.500 X 1.810 X .28 VITON | 1.000 EA |
| HW4600B44 | V-RING SLINGER 1.500 X 1.810 X .28 VITON | 1.000 EA |
| HA4017A08 | .125X3.50 GREASER EXTEN. | 1.000 EA |
| HA4017A02 | .125X2.50 GREASER EXTENS.F/S | 1.000 EA |
| HW4019A01 | PIPE COUPLING 1/8 NPT,STEEL,ZINC COATING | 1.000 EA |
| HW4500A20 | 1/8NPT SL PIPE PLUG | 1.000 EA |
| HW5100A11 | W3917-042 WVY WSHR (WB) | 1.000 EA |
| 10XN2520K36 | 1/4-20 X 2.25" HX HD SCRWGRADE 5, ZINC P | 4.000 EA |
| 09EP1118A38P | PUEP MACH,309 BRG,PLS GRSR,RLF,EPOXY PRI | 1.000 EA |
| 09FH1000 | FAN COVER,CAST W/E-COAT | 1.000 EA |
| 10XN3816K28 | 3/8-16 X 1.75 HEX HD CAP SCREW, GRADE 5 | 4.000 EA |
| HW1001A38 | LOCKWASHER 3/8, ZINC PLT .688 OD, .382 I | 4.000 EA |

| Parts List (continued) | | |
|------------------------|--|----------|
| Part Number | Description | Quantity |
| HW4500A20 | 1/8NPT SL PIPE PLUG | 1.000 EA |
| 10XN2520K36 | 1/4-20 X 2.25" HX HD SCRWGRADE 5, ZINC P | 4.000 EA |
| HW1001A38 | LOCKWASHER 3/8, ZINC PLT .688 OD, .382 I | 4.000 EA |
| XY3816A12 | 3/8-16 FINISHED NUT | 4.000 EA |
| 12CB1503A01P | KOLD MACH, W/LIP & EPOXY PRIMER | 1.000 EA |
| 12GS1002 | GASKET, CONDUIT BOX LID, NEOP | 1.000 EA |
| 10XN3118K16 | 5/16-18 X 1' GRADE #5, STL, ZINC PLATE | 2.000 EA |
| HW1001A31 | LOCKWASHER 5/16, ZINC PLT.591 OD, .319 I | 2.000 EA |
| HW2501G25 | KEY, 3/8 SQ X 2.875 | 1.000 EA |
| MJ5001A27 | 32220KN GRAY SEALER *MIN BUY 4 QTS=1GAL | 0.031 QT |
| MJ5001A14 | DYNAPRO SEAL, CP MOTORS VC#2508050 (603 | 0.033 EA |
| 09EP1118A37GP6 | FREP MACH, 309 BRG. EPOXY PRIMER | 1.000 EA |
| MJ5002A01 | SILICON RUBBER SEALANT, 732CL 10.3 OZ TU | 0.025 EA |
| 85XU0407S04 | 4X1/4 U DRIVE PIN STAINLESS | 2.000 EA |
| LB1115N | LABEL,LIFTING DEVICE (ON ROLLS) | 1.000 EA |
| MN416A01 | TAG-INSTAL-MAINT no wire (1200/bx) 11/14 | 1.000 EA |
| HW4500A17 | 317400 ALEMITE GREASE RELIEF | 1.000 EA |
| HW4500A21 | 1618BALEMITE FITTING 825 UNIVERSAL | 1.000 EA |
| HA4054 | SHORT T-DRAIN FITTING, .125" N.P.T. | 1.000 EA |
| HA4051A00 | PLASTIC CAP FOR GREASE FITTING | 1.000 EA |
| MJ1000A02 | GREASE, POLYREX EM EXXON (USe 4824-15A) | 0.080 LB |
| HW4500A03 | GREASE FITTING, .125 NPT 1610(ALEMITE) 8 | 1.000 EA |
| HW4500A17 | 317400 ALEMITE GREASE RELIEF | 1.000 EA |
| HA4054 | SHORT T-DRAIN FITTING, .125" N.P.T. | 1.000 EA |

Product Information Packet: ECP4106T - 20HP,3540RPM,3PH,60HZ,256T,0944M,TEFC,F1

| | | |
|-------------|--|----------|
| HA4051A00 | PLASTIC CAP FOR GREASE FITTING | 1.000 EA |
| HW2500A25 | WOODRUFF KEY USA #1008 #BLOW CARBON STEE | 1.000 EA |
| 51XB1214A20 | 12-14X1.25 HXWSSLD SERTYB | 1.000 EA |
| MG1025N19 | WILKOFAS, 778.50, RELIANCE BLUE-GREEN | 0.050 GA |
| LB1119N | WARNING LABEL | 1.000 EA |
| LC0181 | CONNECTION LABEL | 1.000 EA |
| NP3241 | SS SUPER-E INV UL CSA-EEV PREM CC | 1.000 EA |
| 40PA1005 | PACKAGING GROUP, 09 STD | 1.000 EA |
| LB1449 | DIV-2/NEC WARNING LABEL | 1.000 EA |
| LB1002N | LABEL,MARINE DUTY (ON ROLLS) | 1.000 EA |

AC Induction Motor Performance Data

Record # 47264 - Typical performance - not guaranteed values

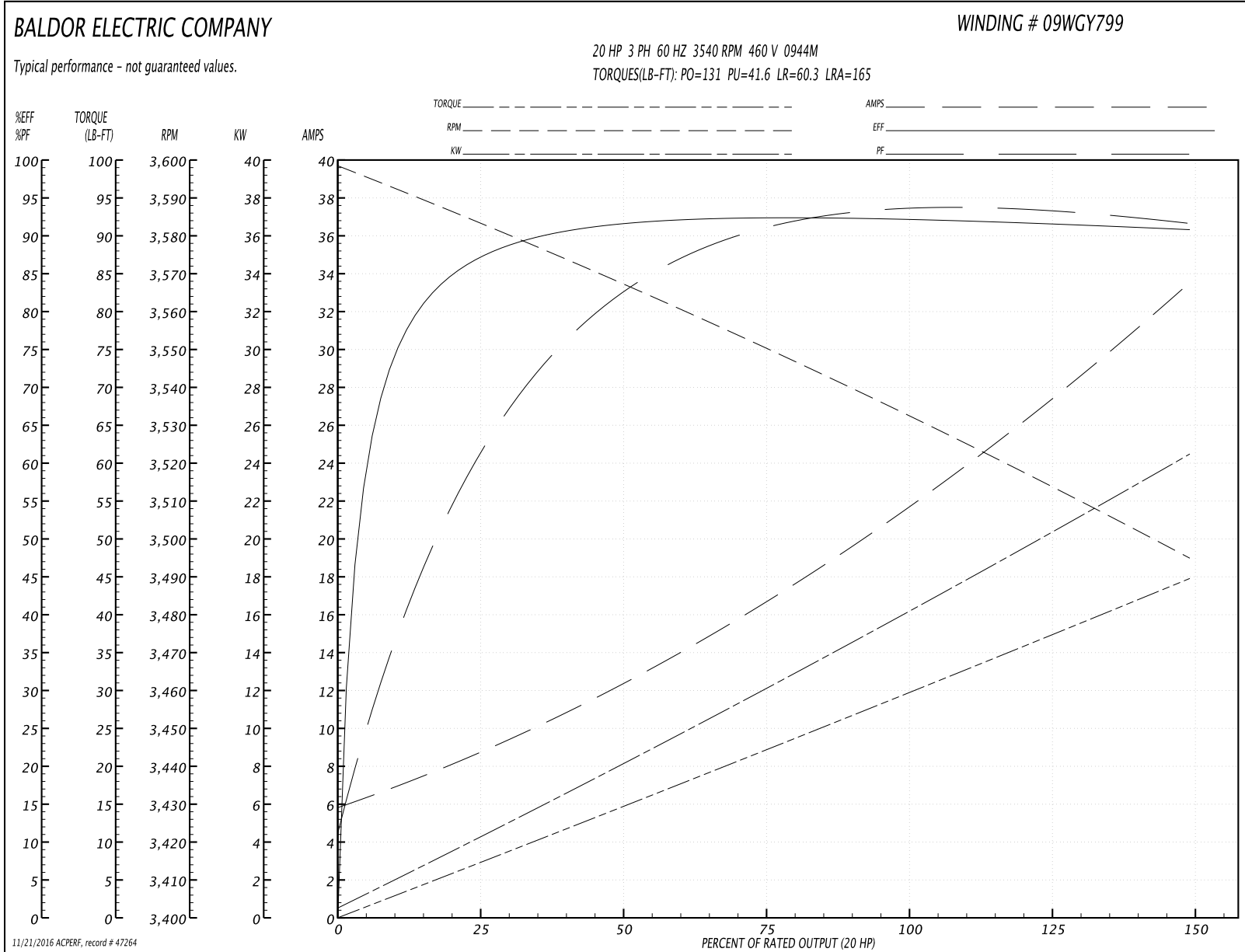
| | | |
|-------------------------------|--------------------|------------------------|
| Winding: 09WGY799-R020 | Type: 0944M | Enclosure: TEFC |
|-------------------------------|--------------------|------------------------|

| Nameplate Data | | | | 460 V, 60 Hz: High Voltage Connection | |
|-----------------------|--------------|--------------|----|--|----------------|
| Rated Output (HP) | 20 | | | Full Load Torque | 29.8 LB-FT |
| Volts | 230/460 | | | Start Configuration | direct on line |
| Full Load Amps | 44/22 | | | Breakdown Torque | 131 LB-FT |
| R.P.M. | 3540 | | | Pull-up Torque | 41.6 LB-FT |
| Hz | 60 | Phase | 3 | Locked-rotor Torque | 60.3 LB-FT |
| NEMA Design Code | B | KVA Code | H | Starting Current | 165 A |
| Service Factor (S.F.) | 1.15 | | | No-load Current | 6.22 A |
| NEMA Nom. Eff. | 92.4 | Power Factor | 92 | Line-line Res. @ 25°C | 0.377 Ω |
| Rating - Duty | 40C AMB-CONT | | | Temp. Rise @ Rated Load | 64°C |
| S.F. Amps | | | | Temp. Rise @ S.F. Load | 79°C |

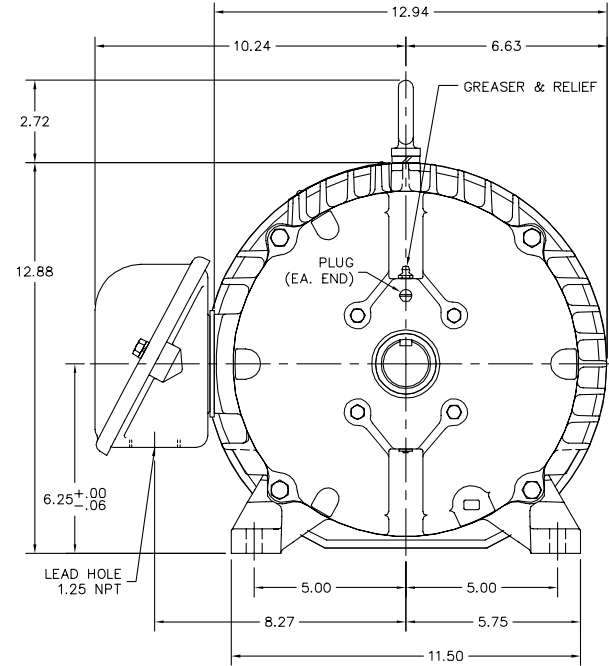
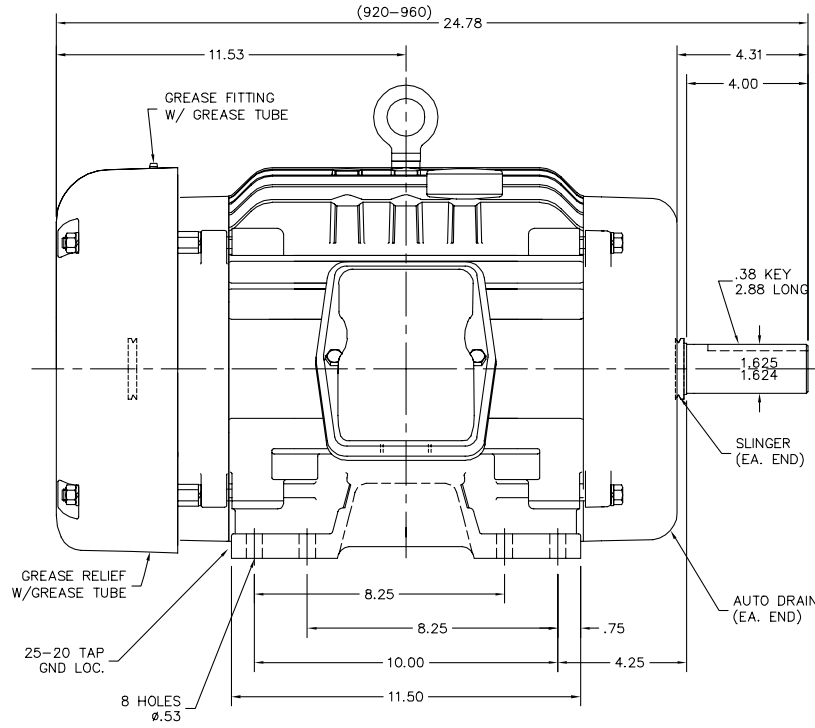
Load Characteristics 460 V, 60 Hz, 20 HP

| % of Rated Load | 25 | 50 | 75 | 100 | 125 | 150 | S.F. |
|-----------------|------|------|------|------|------|------|------|
| Power Factor | 67 | 83 | 91 | 92 | 93 | 92 | 93 |
| Efficiency | 86.5 | 91.5 | 92.2 | 92.4 | 91.7 | 90.7 | 92 |
| Speed | 3583 | 3566 | 3550 | 3533 | 3515 | 3494 | 3522 |
| Line amperes | 8.16 | 12.4 | 16.7 | 22.1 | 27.5 | 33.3 | 25.3 |

Performance Graph at 460V, 60Hz, 20.0HP Typical performance - Not guaranteed values



09LYJ371



09LYJ371

CUSTOMER IS RESPONSIBLE FOR DETERMINING THAT BALDOR'S PRODUCT WILL PERFORM SUITABLY IN THE INTENDED APPLICATION.

| | | |
|------------------------------------|------------------------------|-------------------|
| REV. DESC: ADDED GND HOLE TAP SIZE | VERSION: 07 | TDR: 000000954909 |
| REV. LTR: G | | |
| FILE: \AAA\00174\539 | REVISED: 12:56:55 12/07/2015 | BY: ENNINDO |
| MTL: - | | |

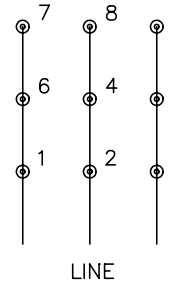
BALDOR

HORZ TEFC 254-6T ECP W/309 BRGS, PLS GREASING
SH 1 of 1

CD0180



LOW VOLTAGE
(2D)



HIGH VOLTAGE
(1D)



NOTES:

1. INTERCHANGE ANY TWO LINE LEADS TO REVERSE ROTATION.
2. OPTIONAL THERMOSTATS ARE PROVIDED WHEN SPECIFIED.
3. ACTUAL NUMBER OF INTERNAL PARALLEL CIRCUITS MAY BE A MULTIPLE OF THOSE SHOWN ABOVE.
4. LEAD COLORS ARE OPTIONAL. LEADS MUST ALWAYS BE NUMBERED AS SHOWN.

| | | | |
|---|---------|------------------------|--------------|
| REV. DESC: REVISE TO SHOW OPTIONAL COLORS | | | |
| REV. LTR: C | BY: JLP | REVISED: 01/21/99 2:28 | TDR: 0171435 |
| 0810D0 | | FILE: AAA00005148 | MDL: - |
| | | MTL: - | |

BALDOR ELECTRIC Co.

3PH, DV, 9 LEADS, DELTA CONNECTION

CD0180

Marketing maintained PDF of MN416:

<http://www.baldor.com/support/Literature/Load.ashx/MN416?ManNumber=MN416>