

# **BALDOR**® • ***RELIANCE***

## **Product Information Packet**

# **EM3558T-BG**

**2HP,1755RPM,3PH,60HZ,145T,3528M,TEFC,F1**

Part Detail							
Revision:	G	Status:	PRD/A	Change #:		Proprietary:	No
Type:	AC	Prod. Type:	3528M	Elec. Spec:	35WGN909	CD Diagram:	CD0005
Enclosure:	TEFC	Mfg Plant:		Mech. Spec:	35E2208	Layout:	35LYE2208
Frame:	145T	Mounting:	F1	Poles:	04	Created Date:	10-04-2013
Base:	RG	Rotation:	R	Insulation:	H	Eff. Date:	05-20-2016
Leads:	9#18					Replaced By:	
Literature:		Elec. Diagram:					

Nameplate NP1259L													
CAT.NO.	EM3558T-BG												
SPEC.	35E2208N909G1												
HP	2												
VOLTS	230/460												
AMP	5.8/2.9												
RPM	1755												
FRAME	145T					HZ	60			PH	3		
SER.F.	1.15					CODE	L		DES	B		CL	H
NEMA-NOM-EFF	86.5					PF	75						
RATING	40C AMB-CONT												
CC	010A									USABLE AT 208V	5.8		
DE	6205					ODE	6203						
ENCL	TEFC					SN							

Parts List		
Part Number	Description	Quantity
SA270523	SA 35E2208N909G1	1.000 EA
RA257157	RA 35E2208N909G1	1.000 EA
34FN3002B01	EXTERNAL FAN, PLASTIC, .637/.639 HUB W/	1.000 EA
NS2512A01	INSULATOR, CONDUIT BOX X	1.000 EA
35CB3009	35 CB W/1.09 DIA. LEAD HOLE @ 6:	1.000 EA
36GS1000SP	GASKET-CONDUIT BOX, .06 THICK #SV-330 LE	1.000 EA
51XB1016A07	10-16 X 7/16 HXWSSLD SERTYB	2.000 EA
11XW1032G06	10-32 X .38, TAPTITE II, HEX WSHR SLTD U	1.000 EA
35FE3100M01	FREP TEFC ASSEMBLY FOR ROUTING	1.000 EA
HW4500A01	1641B(ALEMITE)400 UNIV, GREASE FITT	1.000 EA
HW5100A03SP	WAVY WASHER (W1543-017)	1.000 EA
35EP3101A49	SPL PUEP-ENCL-205 BRG W/GREASER	1.000 EA
HW4500A01	1641B(ALEMITE)400 UNIV, GREASE FITT	1.000 EA
51XN1032A18	10-32 X 1 1/8 HX WS SL SR (ESKAY)	2.000 EA
XY1032A02	10-32 HEX NUT DIRECTIONAL SERRATION	4.000 EA
51XB1214A16	12-14X1.00 HXWSSLD SERTYB	1.000 EA
35FH4005A84SP	IEC FH W/GRSR, NO DIMPLES PRIMED	1.000 EA
51XW1032A06	10-32 X .38, TAPTITE II, HEX WSHR SLTD S	3.000 EA
35CB4521GX	CONDUIT BOX LID KIT	1.000 EA
51XW0832A07	8-32 X .44, TAPTITE II, HEX WSHR SLTD SE	4.000 EA
HW2501D13	KEY, 3/16 SQ X 1.375	1.000 EA
HA7000A01	KEY RETAINER 7/8" DIA SHAFT	1.000 EA
85XU0407S04	4X1/4 U DRIVE PIN STAINLESS	2.000 EA
LB1508	LABEL "SHAFT GROUNDING BRUSH" 1.50 X .81	1.000 EA

<b>Parts List (continued)</b>		
<b>Part Number</b>	<b>Description</b>	<b>Quantity</b>
MJ1000A02	GREASE, POLYREX EM EXXON (USe 4824-15A)	0.050 LB
MG1000Y03	MUNSELL 2.53Y 6.70/ 4.60, GLOSS 20,	0.017 GA
HA3100A18	THRUBOLT 10-32 X 9.250	4.000 EA
LC0005E01	CONN.DIA./WARNING LABEL (LC0005/LB1119N)	1.000 EA
NP1259L	ALUM SUPER-E UL CSA-EEV CC NEMA PREMIUM	1.000 EA
36PA1000	PKG GRP, PRINT PK1016A06	1.000 EA
MN416A01	TAG-INSTAL-MAINT no wire (1000/bx) 11/14	1.000 EA

**AC Induction Motor Performance Data**

Record # 53345 - Typical performance - not guaranteed values

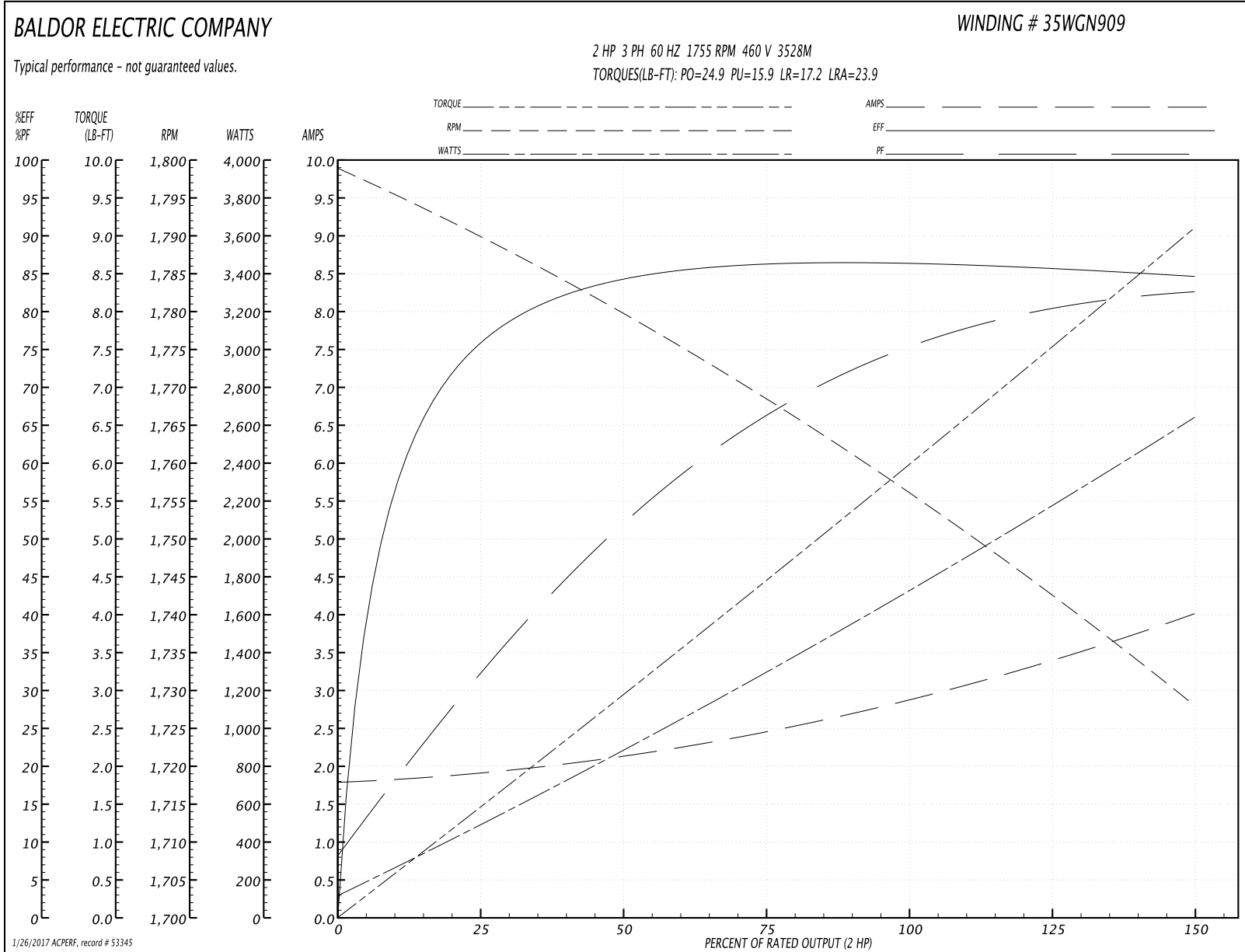
<b>Winding:</b> 35WGN909-R033	<b>Type:</b> 3528M	<b>Enclosure:</b> TEFC
-------------------------------	--------------------	------------------------

Nameplate Data				460 V, 60 Hz: High Voltage Connection	
Rated Output (HP)	2			Full Load Torque	5.98 LB-FT
Volts	230/460			Start Configuration	direct on line
Full Load Amps	5.8/2.9			Breakdown Torque	24.9 LB-FT
R.P.M.	1755			Pull-up Torque	15.9 LB-FT
Hz	60	Phase	3	Locked-rotor Torque	17.2 LB-FT
NEMA Design Code	B	KVA Code	L	Starting Current	23.9 A
Service Factor (S.F.)	1.15			No-load Current	1.81 A
NEMA Nom. Eff.	86.5	Power Factor	75	Line-line Res. @ 25°C	8.1641 Ω
Rating - Duty	40C AMB-CONT			Temp. Rise @ Rated Load	65°C
S.F. Amps				Temp. Rise @ S.F. Load	77°C
				Locked-rotor Power Factor	52
				Rotor inertia	0.165 LB-FT <sup>2</sup>

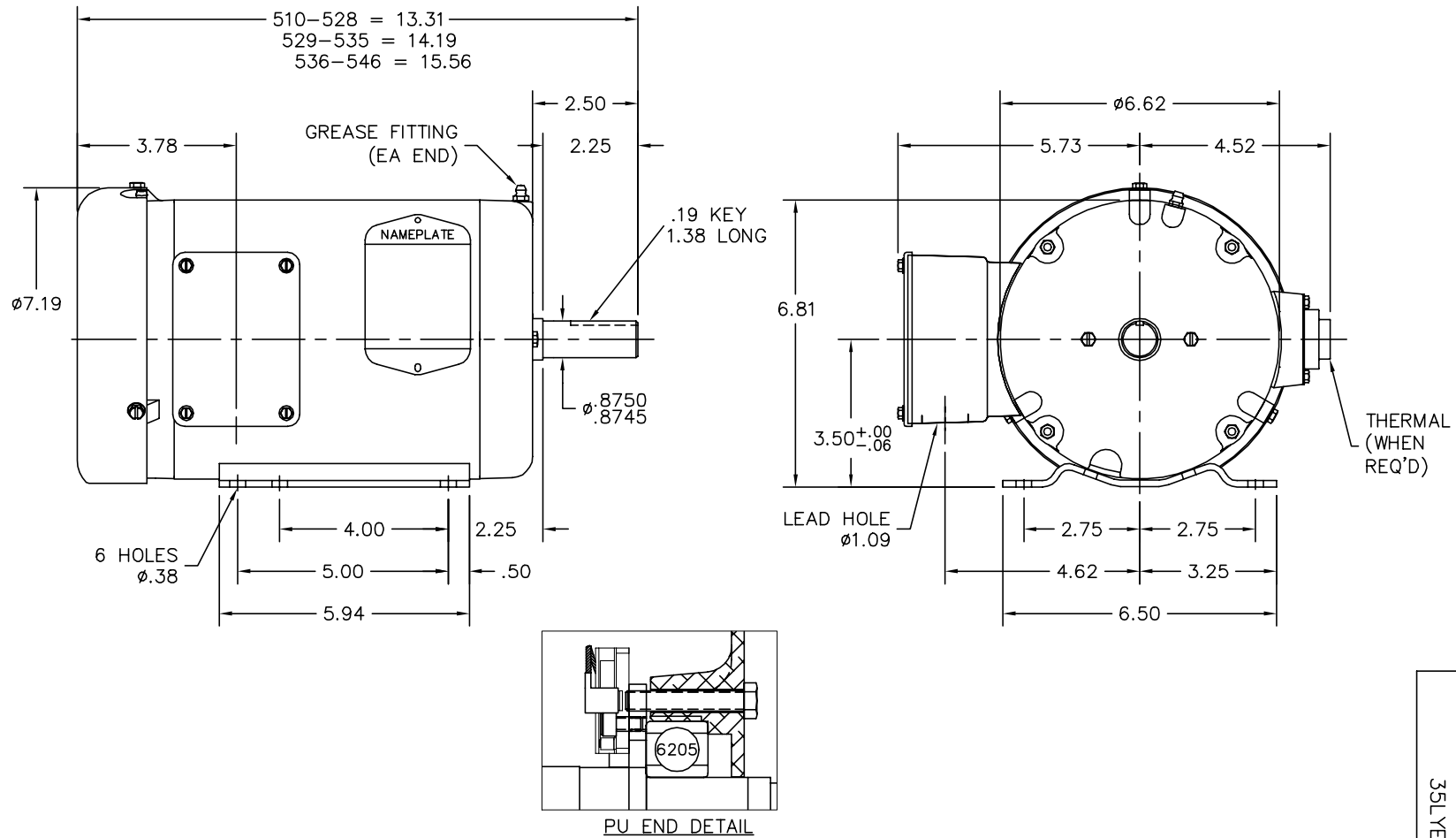
Load Characteristics 460 V, 60 Hz, 2 HP

% of Rated Load	25	50	75	100	125	150	S.F.
Power Factor	33	53	66	75	80	83	78
Efficiency	75.7	84.1	86.3	86.5	85.9	84.6	86.1
Speed	1790	1779.4	1768.5	1756.1	1742.7	1727.9	1748
Line amperes	1.89	2.11	2.46	2.91	3.4	4	3.2

Performance Graph at 460V, 60Hz, 2.0HP Typical performance - Not guaranteed values



35LYE2208



CUSTOMER IS RESPONSIBLE FOR DETERMINING THAT BALDOR'S PRODUCT WILL PERFORM SUITABLY IN THE INTENDED APPLICATION.

REV. DESC: REPLACE BRUSH ASSEMBLY WITH BRUSH KIT; BP5338A01		
REV. LTR: A	VERSION: 01	TDR: 000000845934
FILE: \AAA\00203\903	REVISED: 09:27:54 03/28/2014	BY: ENMAIYO
MTL: -		

**BALDOR**

HOR 143-5T TEFC M W/1.09 LEAD HOLE, BALDOR INT SHAFT GND

SH 1 of 1

35LYE2208

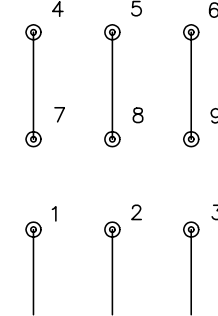
CD0005



LOW VOLTAGE  
(2Y)



HIGH VOLTAGE  
(1Y)



NOTES:

1. INTERCHANGE ANY TWO LINE LEADS TO REVERSE ROTATION.
2. OPTIONAL THERMOSTATS ARE PROVIDED WHEN SPECIFIED.
3. ACTUAL NUMBER OF INTERNAL PARALLEL CIRCUITS MAY BE A MULTIPLE OF THOSE SHOWN ABOVE.
4. LEAD COLORS ARE OPTIONAL. LEADS MUST ALWAYS BE NUMBERED AS SHOWN.

REV. DESC: REVISE TO SHOW OPTIONAL COLORS			
REV. LTR: E	BY: JLP	REVISED: 01/19/99 10:15	TDR: 0171435
9000D		FILE: AAA00005140	MDL: -
		MTL: -	

**BALDOR ELECTRIC Co.**

3PH, DV, 9 LEADS

CD0005