

BALDOR® • RELIANCE

Product Information Packet

EM7040T-I

5//3HP,1160//960RPM,3PH,60//50HZ,215T,37

Part Detail							
Revision:	J	Status:	PRD/A	Change #:		Proprietary:	No
Type:	AC	Prod. Type:	3748M	Elec. Spec:	37WGS838	CD Diagram:	CD0005
Enclosure:	XPFC	Mfg Plant:		Mech. Spec:	37H721	Layout:	37LYH721
Frame:	215T	Mounting:	F1	Poles:	06	Created Date:	06-19-2010
Base:	RG	Rotation:	R	Insulation:	F	Eff. Date:	08-20-2015
Leads:	9#14					Replaced By:	
Literature:		Elec. Diagram:					

Nameplate NP0977XPSLEV										
NO.						CC	010A			
SER.							TEMP CODE	T3C		
SPEC.	37H721S838G1									
CAT.NO.	EM7040T-I									
HP	5//3									
VOLTS	230/460//190/380									
AMPS	14.6/7.3//11.6/5.8									
RPM	1160//960					MOTOR WEIGHT	170			
HERTZ	60//50		PH	3		CL	F	DE BRG	6307	
SER.F.	1.15		DES	A		CODE	K	ODE BRG	6206	
FRAME	215T				GREASE	POLYREX EM				
RATING	40C AMB-CONT 55C AMB AT 1.0 SF									
USABLE AT 208V	15.3				NEMA-NOM-EFF	89.5		PF	72	
	NEMA MG-1 PT 5,IP55									

Parts List		
Part Number	Description	Quantity
SA199224	SA 37H721S838G1	1.000 EA
RA186562	RA 37H721S838G1	1.000 EA
37FN3002C01	EXFN, PLASTIC, 6.00 OD, 1.155 ID	1.000 EA
37CB1005A02	CONDUIT BOX-MACH-EXPL.PROOF-GROUP "C" MTR	1.000 EA
11XW1032G06	10-32 X .38, TAPTITE II, HEX WSHR SLTD U	1.000 EA
HW3001B01	BRASS CUP WASHER, FOR #8 SCREW	1.000 EA
37EP1715A04	FR EP XPFC,GROUP "C" MTRS W/SPL DRAIN	1.000 EA
HW4500A19	1/4-28X1/4 SLOTTED PLUG F/S	2.000 EA
HW4506A02	BREATHER/DRAIN-EXP PROOF-.125-27 NPTF AI	1.000 EA
HW3022E05	.125 DIA X .500 ROLLED SPRING PIN	1.000 EA
37FH4000A09	FAN COVER, W/ PRIMER	1.000 EA
HW5100A06	W2420-025 WVY WSHR (WB)	1.000 EA
37EP1714A03	PU EP XPFC-GROUP "C" MTRS W/SPL DRAIN	1.000 EA
HW4500A19	1/4-28X1/4 SLOTTED PLUG F/S	2.000 EA
HW4506A02	BREATHER/DRAIN-EXP PROOF-.125-27 NPTF AI	1.000 EA
HW3022E05	.125 DIA X .500 ROLLED SPRING PIN	1.000 EA
51XW1032A06	10-32 X .38, TAPTITE II, HEX WSHR SLTD S	3.000 EA
37CB1502A01	CONDUIT BOX LID-MACH-EXPL.PROOF-GROUP "C"	1.000 EA
RM1020A42	O-RING, -154 BUNA-N, .103 CS X 3.737 ID	2.000 EA
HA2065A02	SLINGER, ALUM MODLE 36 & 37 DRILL RIG MT	1.000 EA
80XN1032A07	SET SCREW, HEX XOCK, ZN	1.000 EA
HW2501F21	KEY, 5/16 SQ X 2.375	1.000 EA
HA7000A02	KEY RETAINER RING, 1 1/8 DIA, 1 3/8 DIA	1.000 EA
85XU0407S04	4X1/4 U DRIVE PIN STAINLESS	6.000 EA

Parts List (continued)		
Part Number	Description	Quantity
LB1115N	LABEL,LIFTING DEVICE (ON ROLLS)	1.000 EA
LB1359F	ALUM XP CAUTION LABEL	1.000 EA
MJ1000A02	GREASE, POLYREX EM EXXON (USe 4824-15A)	0.050 LB
51XB1214A20	12-14X1.25 HXWSSLD SERTYB	1.000 EA
MG1025G29	WILKOFASST, 789.229, DARK CHARCOAL GRAY	0.028 GA
HA3106A12	THRUBOLT 1/2-13 X 14.625	4.000 EA
LB1119N	WARNING LABEL	1.000 EA
LC0145B01	CONNECTION LABEL	1.000 EA
NP0977XPSLEV	SS XP UL CSA-EEV CC CL-I GP-C&D	1.000 EA
37PA1039	PALLET PACK GRP, PRINT PK1026A06	1.000 EA
MN416A01	TAG-INSTAL-MAINT no wire (1000/bx) 11/14	1.000 EA

AC Induction Motor Performance Data

Record # 37133 - Typical performance - not guaranteed values

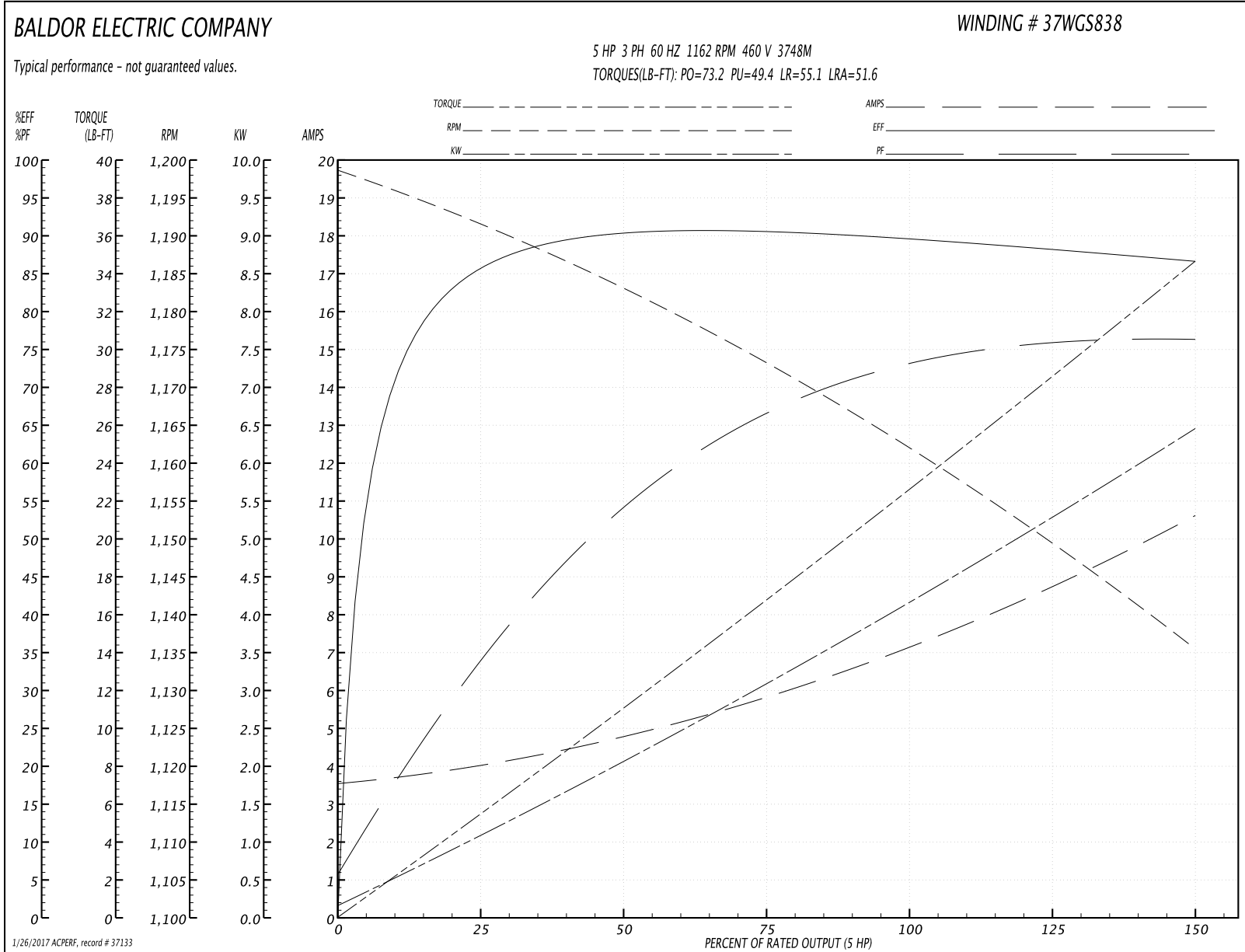
Winding: 37WGS838-R003	Type: 3748M	Enclosure: XPFC
-------------------------------	--------------------	------------------------

Nameplate Data				460 V, 60 Hz: High Voltage Connection	
Rated Output (HP)	5//3			Full Load Torque	22.7 LB-FT
Volts	230/460//190/380			Start Configuration	direct on line
Full Load Amps	14.6/7.3//11.6/5.8			Breakdown Torque	73.2 LB-FT
R.P.M.	1160//960			Pull-up Torque	49.4 LB-FT
Hz	60//50	Phase	3	Locked-rotor Torque	55.1 LB-FT
NEMA Design Code	A	KVA Code	K	Starting Current	51.6 A
Service Factor (S.F.)	1.15			No-load Current	3.61 A
NEMA Nom. Eff.	89.5	Power Factor	72	Line-line Res. @ 25°C	1.59 Ω
Rating - Duty	40C AMB-CONT			Temp. Rise @ Rated Load	55°C
S.F. Amps				Temp. Rise @ S.F. Load	68°C
				Locked-rotor Power Factor	22
				Rotor inertia	1.19 LB-FT ²

Load Characteristics 460 V, 60 Hz, 5 HP

% of Rated Load	25	50	75	100	125	150	S.F.
Power Factor	36	55	66	73	76	77	75
Efficiency	84.8	89.8	90.3	90	88.7	86.4	89.2
Speed	1191	1183	1173	1162	1150	1135	1155
Line amperes	3.93	4.75	5.89	7.2	8.75	10.6	8.13

Performance Graph at 460V, 60Hz, 5.0HP Typical performance - Not guaranteed values



AC Induction Motor Performance Data

Record # 37134 - Typical performance - not guaranteed values

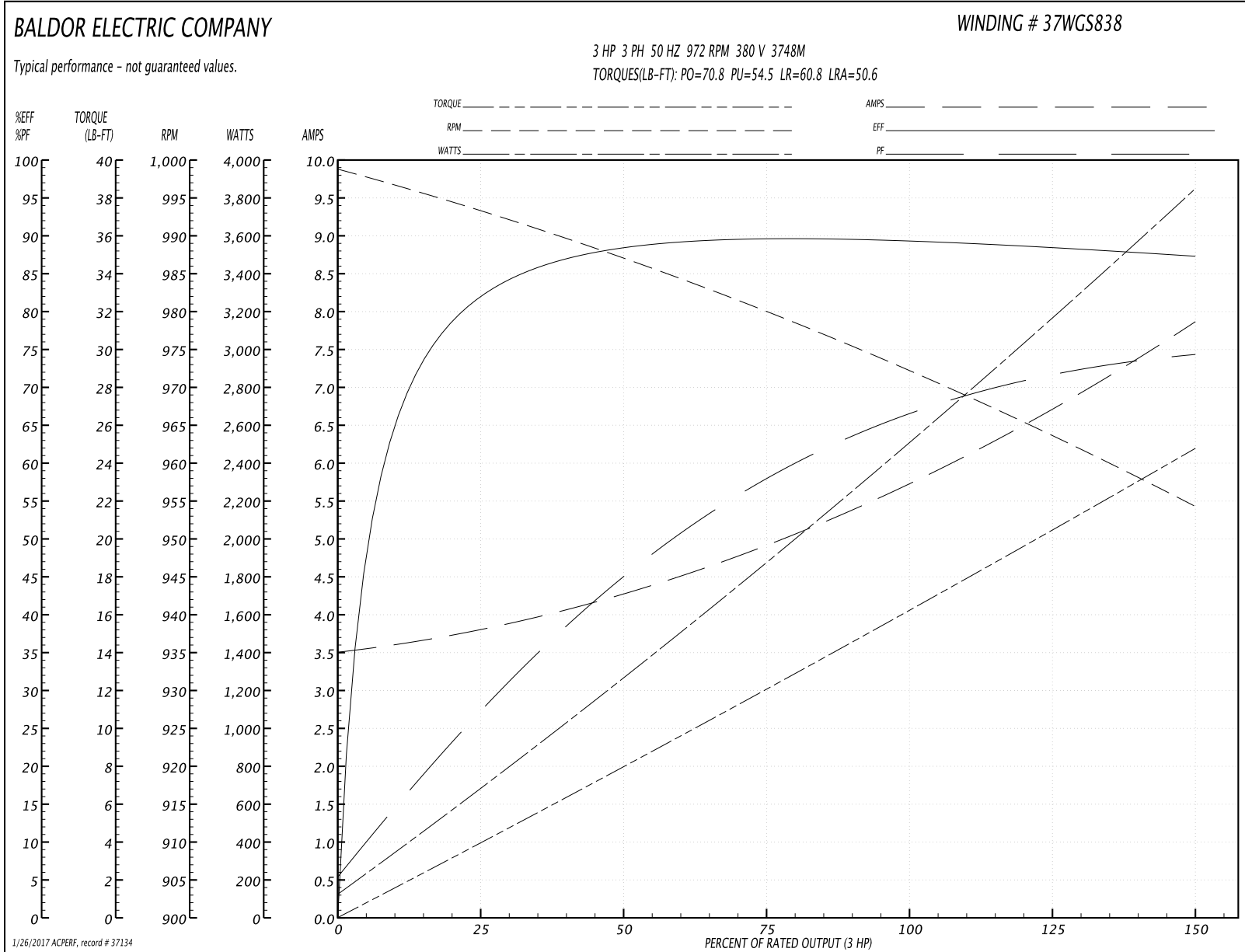
Winding: 37WGS838-R003	Type: 3748M	Enclosure: XPFC
-------------------------------	--------------------	------------------------

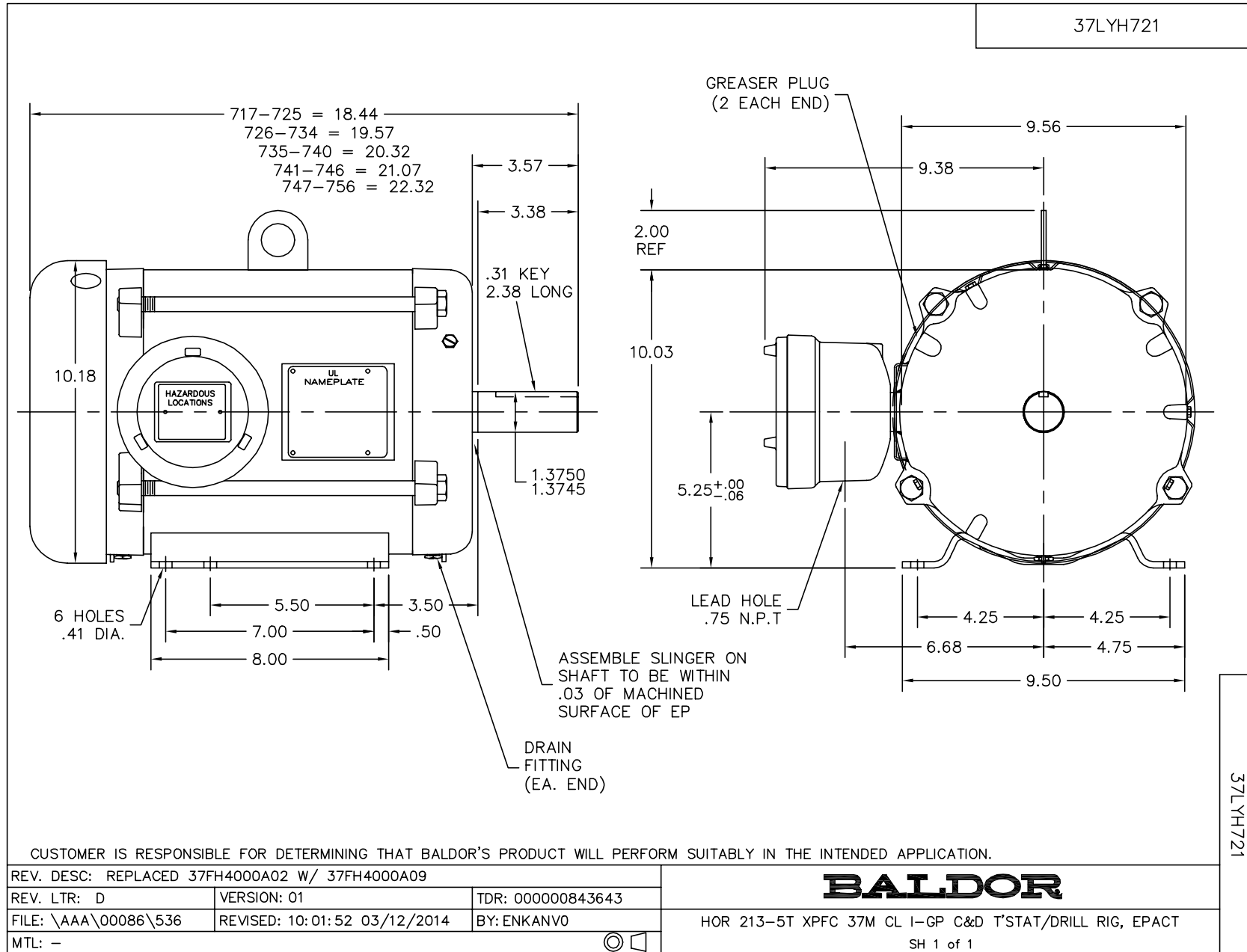
Nameplate Data				380 V, 50 Hz: High Voltage Connection	
Rated Output (HP)	5//3			Full Load Torque	16.3 LB-FT
Volts	230/460//190/380			Start Configuration	direct on line
Full Load Amps	14.6/7.3//11.6/5.8			Breakdown Torque	70.8 LB-FT
R.P.M.	1160//960			Pull-up Torque	54.5 LB-FT
Hz	60//50	Phase	3	Locked-rotor Torque	60.8 LB-FT
NEMA Design Code	A	KVA Code	K	Starting Current	50.6 A
Service Factor (S.F.)	1.15			No-load Current	3.55 A
NEMA Nom. Eff.	89.5	Power Factor	72	Line-line Res. @ 25°C	1.59 Ω
Rating - Duty	40C AMB-CONT			Temp. Rise @ Rated Load	38°C
S.F. Amps				Temp. Rise @ S.F. Load	45°C
				Locked-rotor Power Factor	25
				Rotor inertia	1.19 LB-FT ²

Load Characteristics 380 V, 50 Hz, 3 HP

% of Rated Load	25	50	75	100	125	150	S.F.
Power Factor	28	45	58	66	71	75	69
Efficiency	81	87.9	89.4	89.7	88.8	87.1	89.2
Speed	993	987	980	972	964	954	967
Line amperes	3.74	4.25	4.96	5.76	6.73	7.85	6.34

Performance Graph at 380V, 50Hz, 3.0HP Typical performance - Not guaranteed values

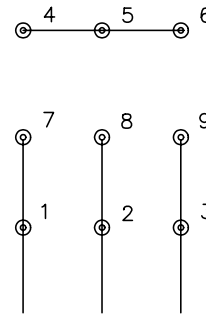




CD0005

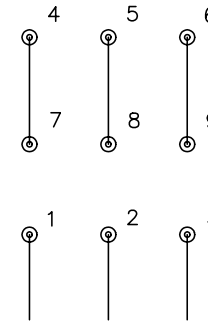


LOW VOLTAGE
(2Y)



LINE

HIGH VOLTAGE
(1Y)



LINE

NOTES:

1. INTERCHANGE ANY TWO LINE LEADS TO REVERSE ROTATION.
2. OPTIONAL THERMOSTATS ARE PROVIDED WHEN SPECIFIED.
3. ACTUAL NUMBER OF INTERNAL PARALLEL CIRCUITS MAY BE A MULTIPLE OF THOSE SHOWN ABOVE.
4. LEAD COLORS ARE OPTIONAL. LEADS MUST ALWAYS BE NUMBERED AS SHOWN.

REV. DESC: REVISE TO SHOW OPTIONAL COLORS			
REV. LTR: E	BY: JLP	REVISED: 01/19/99 10:15	TDR: 0171435
900000		FILE: AAA00005140	MDL: -
		MTL: -	

BALDOR ELECTRIC Co.

3PH, DV, 9 LEADS

CD0005