

BALDOR® • ***RELIANCE***

Product Information Packet

EMM2333

11KW,1765RPM,3PH,60HZ,D160M,0944M,TEFC,F

| Part Detail | | | | | | | |
|-------------|-------|----------------|-------|-------------|----------|---------------|------------|
| Revision: | G | Status: | PRD/A | Change #: | | Proprietary: | No |
| Type: | AC | Prod. Type: | 0944M | Elec. Spec: | 09WGZ910 | CD Diagram: | CD0005 |
| Enclosure: | TEFC | Mfg Plant: | | Mech. Spec: | 09F285 | Layout: | 09LYF285 |
| Frame: | D160M | Mounting: | F2 | Poles: | 04 | Created Date: | 11-09-2012 |
| Base: | RG | Rotation: | R | Insulation: | F | Eff. Date: | 01-26-2017 |
| Leads: | 9#12 | | | | | Replaced By: | |
| Literature: | | Elec. Diagram: | | | | | |

| Nameplate NP1159L | | | |
|-------------------|--------------|----------------|------|
| CAT.NO. | EMM2333 | | |
| SPEC. | 09F285Z910G1 | | |
| IEC FRAME | D160M | KW | 11KW |
| VOLTS | 230/460 | | |
| AMP | 36.2/18.1 | | |
| RPM | 1765 | ENCL | TEFC |
| HZ | 60 | PH | 3 |
| SER.F. | 1.15 | DES | A |
| NEMA-NOM-EFF | 92.4 | I.P. | 54 |
| RATING | 40C AMB-CONT | | |
| CC | 010A | USABLE AT 208V | 38 |
| DE | 6309 | ODE | 6208 |
| SER. # | | | |

| Parts List | | |
|---------------|--|----------|
| Part Number | Description | Quantity |
| SA254037 | SA 09F285Z910G1 | 1.000 EA |
| RA240848 | RA 09F285Z910G1 | 1.000 EA |
| HW1002A63 | WASHER, 5/8 HI-COLLAR SPRCKWASHER | 1.000 EA |
| 09CB3002 | CB W/1.38 LEAD HOLE FOR 37, 39, 307 & 30 | 1.000 EA |
| 09GS1000 | GASKET-CONDUIT BOX, 1/16 THICK LEXIDE | 1.000 EA |
| 10XN2520K12 | 1/4-20 X.75 GRD 5 | 2.000 EA |
| HW1001A25 | LOCKWASHER 1/4, ZINC PLT .493 OD, .255 I | 2.000 EA |
| WD1000B17 | T&B CX35TN TERMINAL | 1.000 EA |
| 11XW1032G06 | 10-32 X .38, TAPTITE II, HEX WSHR SLTD U | 1.000 EA |
| 09FE1100A14 | FREP ASSEMBLY, 09EP1100A14 | 1.000 EA |
| HA4051A00 | PLASTIC CAP FOR GREASE FITTING | 1.000 EA |
| HW4600B44 | V-RING SLINGER 1.500 X 1.810 X .28 VITON | 1.000 EA |
| XY3816A12 | 3/8-16 FINISHED NUT | 4.000 EA |
| HW1001A38 | LOCKWASHER 3/8, ZINC PLT .688 OD, .382 I | 4.000 EA |
| HW5100A08 | W3118-035 WVY WSHR (WB) | 1.000 EA |
| 10XN2520K28 | 1/4-20 X 1.75" HX HD SCRWGRADE 5, ZINC P | 2.000 EA |
| HW1001A25 | LOCKWASHER 1/4, ZINC PLT .493 OD, .255 I | 2.000 EA |
| 10XN2520K36 | 1/4-20 X 2.25" HX HD SCRWGRADE 5, ZINC P | 4.000 EA |
| HW1001A25 | LOCKWASHER 1/4, ZINC PLT .493 OD, .255 I | 4.000 EA |
| 09EP1101A11SP | PU ENDPLATE, MACH | 1.000 EA |
| HA4051A00 | PLASTIC CAP FOR GREASE FITTING | 1.000 EA |
| HA3113A02 | THRUBOLT 3/8-16 X 16.750 | 4.000 EA |
| HW1001A38 | LOCKWASHER 3/8, ZINC PLT .688 OD, .382 I | 4.000 EA |
| 09FH4000SP | FAN COVER, STAMPED | 1.000 EA |

| Parts List (continued) | | |
|------------------------|--|----------|
| Part Number | Description | Quantity |
| HA2081A05 | SPACER TUBE, 309 FAN HSG, 2.00 LONG | 4.000 EA |
| XY3816A12 | 3/8-16 FINISHED NUT | 4.000 EA |
| HW1001A38 | LOCKWASHER 3/8, ZINC PLT .688 OD, .382 I | 4.000 EA |
| 09CB3501 | CONDUIT BOX LID FOR 09CB3001 & 09CB3002 | 1.000 EA |
| 09GS1013 | 09 GS FOR 09CB3501 LID - LEXIDE | 1.000 EA |
| 51XW2520A12 | .25-20 X .75, TAPTITE II, HEX WSHR SLTD | 2.000 EA |
| HW2505C27 | KEY 8 X 12 MM X 3.125 | 1.000 EA |
| LB1115N | LABEL,LIFTING DEVICE (ON ROLLS) | 1.000 EA |
| HW4500A05 | 1669B ALEM/UNIV860 GR FTG X | 1.000 EA |
| HW4500A17 | 317400 ALEMITE GREASE RELIEF | 1.000 EA |
| HA4054 | SHORT T-DRAIN FITTING, .125" N.P.T. | 1.000 EA |
| MJ1000A02 | GREASE, POLYREX EM EXXON (USe 4824-15A) | 0.080 LB |
| HW4500A03 | GREASE FITTING, .125 NPT 1610(ALEMITE) 8 | 1.000 EA |
| HW4500A17 | 317400 ALEMITE GREASE RELIEF | 1.000 EA |
| HA4054 | SHORT T-DRAIN FITTING, .125" N.P.T. | 1.000 EA |
| 09FN3001D01 | EXTERNAL FAN, PLASTIC | 1.000 EA |
| HW2500A25 | WOODRUFF KEY USA #1008 #BLOW CARBON STEE | 1.000 EA |
| 51XB1214A20 | 12-14X1.25 HXWSSLD SERTYB | 1.000 EA |
| MG1000Y03 | MUNSELL 2.53Y 6.70/ 4.60, GLOSS 20, | 0.050 GA |
| 85XU0407S04 | 4X1/4 U DRIVE PIN STAINLESS | 2.000 EA |
| MN416A01 | TAG-INSTAL-MAINT no wire (1000/bx) 11/14 | 1.000 EA |
| LB1119N | WARNING LABEL | 1.000 EA |
| LC0005 | CONN.DIA.,TY M,9-LD,DUAL VOLT,REVERSING | 1.000 EA |
| NP1159L | SS SUPER-E IEC UL CSA CC | 1.000 EA |

| | | |
|----------|--------------------------------|----------|
| 09PA1000 | PACKAGING GROUP COMBINED PRINT | 1.000 EA |
|----------|--------------------------------|----------|

AC Induction Motor Performance Data

Record # 40352 - Typical performance - not guaranteed values

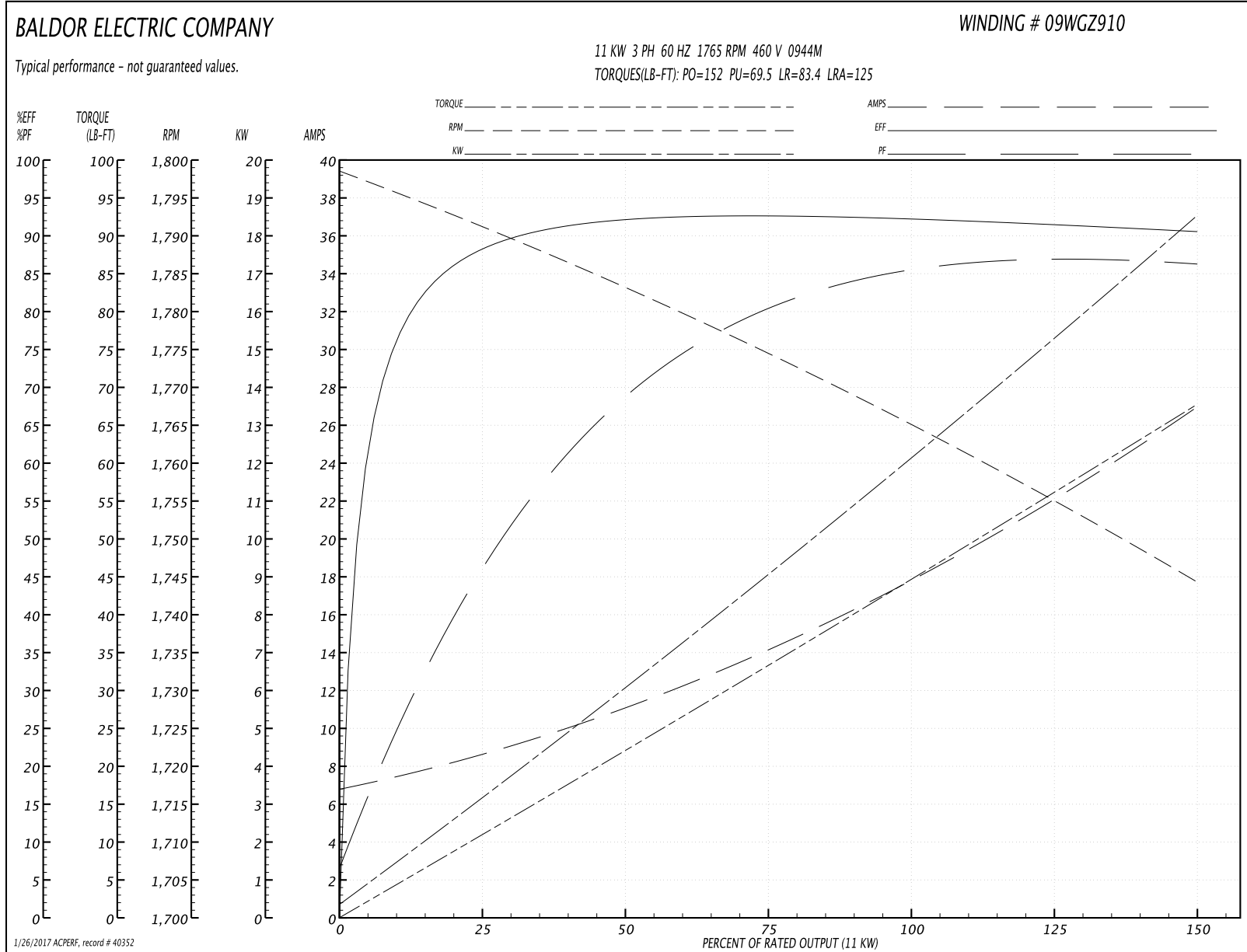
| | | |
|-------------------------------|--------------------|------------------------|
| Winding: 09WGZ910-R006 | Type: 0944M | Enclosure: TEFC |
|-------------------------------|--------------------|------------------------|

| Nameplate Data | | | | 460 V, 60 Hz: High Voltage Connection | |
|-----------------------|--------------|--------------|----|--|-------------------------|
| Rated Output (KW) | 11 | | | Full Load Torque | 44.6 LB-FT |
| Volts | 230/460 | | | Start Configuration | direct on line |
| Full Load Amps | 36.2/18.1 | | | Breakdown Torque | 152 LB-FT |
| R.P.M. | 1765 | | | Pull-up Torque | 69.5 LB-FT |
| Hz | 60 | Phase | 3 | Locked-rotor Torque | 83.4 LB-FT |
| NEMA Design Code | A | KVA Code | H | Starting Current | 125 A |
| Service Factor (S.F.) | 1.15 | | | No-load Current | 7.12 A |
| NEMA Nom. Eff. | 92.4 | Power Factor | 83 | Line-line Res. @ 25°C | 0.60351 Ω |
| Rating - Duty | 40C AMB-CONT | | | Temp. Rise @ Rated Load | 58°C |
| S.F. Amps | | | | Temp. Rise @ S.F. Load | 71°C |
| | | | | Locked-rotor Power Factor | 33.1 |
| | | | | Rotor inertia | 1.92 LB-FT ² |

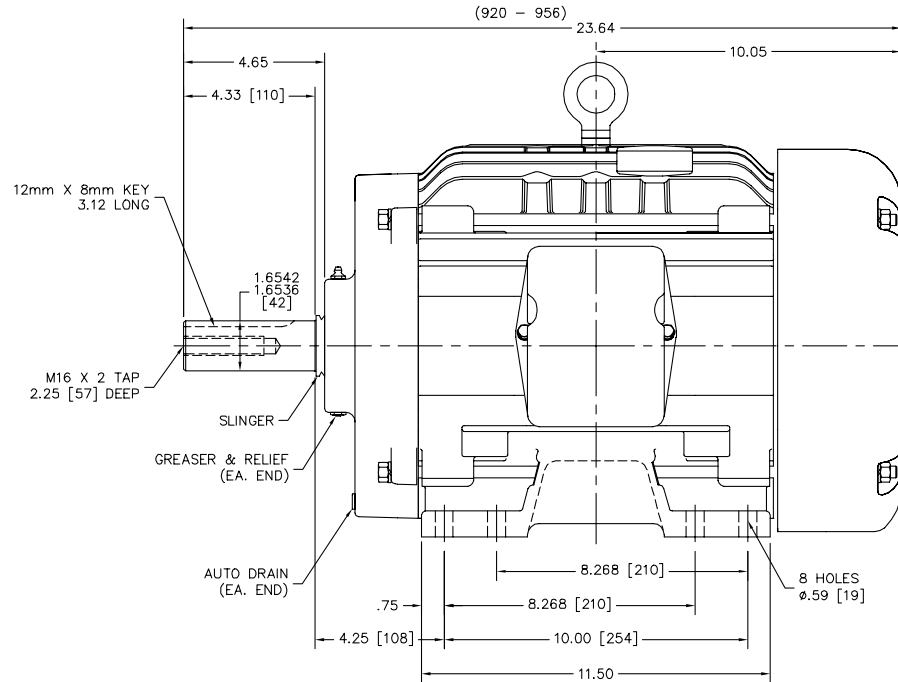
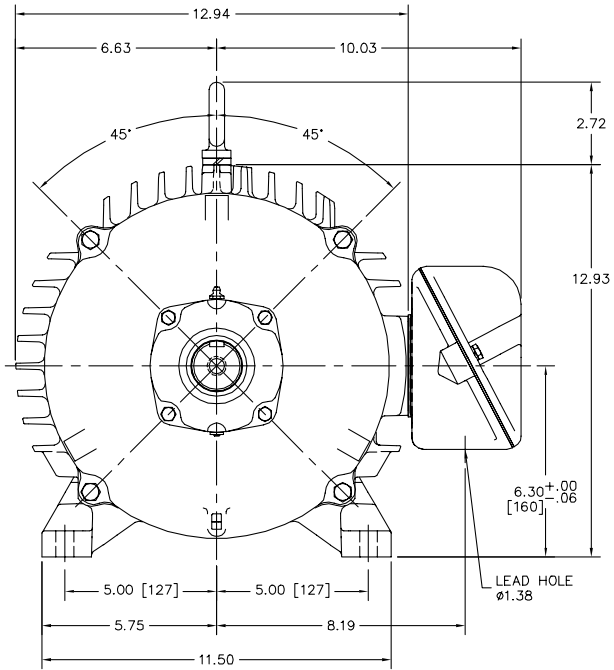
Load Characteristics 460 V, 60 Hz, 11 KW

| % of Rated Load | 25 | 50 | 75 | 100 | 125 | 150 | S.F. |
|-----------------|--------|--------|--------|--------|------|--------|------|
| Power Factor | 49 | 71 | 79 | 83 | 87 | 87 | 86 |
| Efficiency | 88.1 | 92.1 | 92.6 | 92.4 | 91.7 | 90.6 | 92 |
| Speed | 1790.9 | 1782.8 | 1774.4 | 1765.5 | 1755 | 1744.1 | 1759 |
| Line amperes | 8.24 | 10.8 | 14.4 | 18.1 | 22.2 | 26.8 | 20.6 |

Performance Graph at 460V, 60Hz, 11.0KW Typical performance - Not guaranteed values



09LYF285



CUSTOMER IS RESPONSIBLE FOR DETERMINING THAT BALDOR'S PRODUCT WILL PERFORM SUITABLY IN THE INTENDED APPLICATION.

| | | |
|---------------------------|------------------------------|------------------|
| REV. DESC: REMOVE LOCKNUT | VERSION: 03 | TDR: 00000955197 |
| REV. LTR: C | REVISED: 02:43:20 11/30/2015 | BY: ENMARSO |
| FILE: \AAA\00071\192 | | |
| MTL: - | | |

BALDOR

HORZ TEFC 254-6YZ F2 IEC D160L-M W/TAP IN SHAFT
SH 1 of 1

09LYF285

CD0005

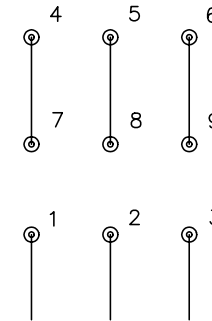


LOW VOLTAGE
(2Y)



LINE

HIGH VOLTAGE
(1Y)



LINE

NOTES:

1. INTERCHANGE ANY TWO LINE LEADS TO REVERSE ROTATION.
2. OPTIONAL THERMOSTATS ARE PROVIDED WHEN SPECIFIED.
3. ACTUAL NUMBER OF INTERNAL PARALLEL CIRCUITS MAY BE A MULTIPLE OF THOSE SHOWN ABOVE.
4. LEAD COLORS ARE OPTIONAL. LEADS MUST ALWAYS BE NUMBERED AS SHOWN.

| | | | |
|---|---------|-------------------------|--------------|
| REV. DESC: REVISE TO SHOW OPTIONAL COLORS | | | |
| REV. LTR: E | BY: JLP | REVISED: 01/19/99 10:15 | TDR: 0171435 |
| 900000 | | FILE: AAA00005140 | MDL: - |
| | | MTL: - | |

BALDOR ELECTRIC Co.

3PH, DV, 9 LEADS

CD0005

Marketing maintained PDF of MN416:

<http://www.baldor.com/support/Literature/Load.ashx/MN416?ManNumber=MN416>