

BALDOR® • **RELIANCE**

Product Information Packet

L3516T

2HP,1725RPM,1PH,60HZ,145T,3535LC,TEFC,F1

| Part Detail | | | | | | | |
|-------------|---------------------|----------------|--------|-------------|----------|---------------|------------|
| Revision: | E | Status: | PRD/A | Change #: | | Proprietary: | No |
| Type: | AC | Prod. Type: | 3535LC | Elec. Spec: | 35WGN513 | CD Diagram: | CD0055 |
| Enclosure: | TEFC | Mfg Plant: | | Mech. Spec: | 35EE001 | Layout: | 35LYEE001 |
| Frame: | 145T | Mounting: | F1 | Poles: | 04 | Created Date: | 05-30-2012 |
| Base: | RG | Rotation: | R | Insulation: | F | Eff. Date: | 03-17-2016 |
| Leads: | 4#16 A PH,2#18 B PH | | | | | Replaced By: | |
| Literature: | | Elec. Diagram: | | | | | |

| Nameplate NP1256L | | | | | | | | | | |
|-------------------|---------------|--|------|----|-----|------|--|-------|----------------|---|
| CAT.NO. | L3516T | | | | | | | | | |
| SPEC. | 35EE001N513G1 | | | | | | | | | |
| HP | 2 | | | | | | | | | |
| VOLTS | 115/230 | | | | | | | | | |
| AMP | 17.6/8.8 | | | | | | | | | |
| RPM | 1725 | | | | | | | | | |
| FRAME | 145T | | | | HZ | 60 | | | PH | 1 |
| SER.F. | 1.15 | | CODE | J | DES | L | | CLASS | F | |
| NEMA-NOM-EFF | 78.5 | | PF | 92 | | | | | | |
| RATING | 40C AMB-CONT | | | | | | | | | |
| CC | | | | | | | | | USABLE AT 208V | |
| DE | 6205 | | | | ODE | 6203 | | | | |
| ENCL | TEFC | | | SN | | | | | | |

| Parts List | | |
|---------------|--|----------|
| Part Number | Description | Quantity |
| SA245313 | SA 35EE001N513G1 | 1.000 EA |
| RA232199 | RA 35EE001N513G1 | 1.000 EA |
| OC3060C09 | CYL OIL CAP 60MFD/240V | 1.000 EA |
| EC1645A06SP | ELEC CAP, 645-774 MFD, 125V, 2.06D X 4. | 1.000 EA |
| WD3006A01 | RSS-2-103JT 2W 10K RES. METAL OXIDE 5% | 1.000 EA |
| NS2512A01 | INSULATOR, CONDUIT BOX X | 1.000 EA |
| 35CB3009 | 35 CB W/1.09 DIA. LEAD HOLE @ 6: | 1.000 EA |
| 36GS1000 | GASKET-CONDUIT BOX, .06 THICK #SV-330 LE | 1.000 EA |
| 51XB1016A07 | 10-16 X 7/16 HXWSSLD SERTYB | 2.000 EA |
| 11XW1032G06 | 10-32 X .38, TAPTITE II, HEX WSHR SLTD U | 1.000 EA |
| 35FE3100M01 | FREP TEFC ASSEMBLY FOR ROUTING | 1.000 EA |
| HW4500A01 | 1641B(ALEMITE)400 UNIV, GREASE FITT | 1.000 EA |
| 51XW0832A07 | 8-32 X .44, TAPTITE II, HEX WSHR SLTD SE | 2.000 EA |
| 35CB3801 | CAPACITOR COVER, CAST | 1.000 EA |
| 34GS3002 | GASKET, CAPACITOR BOX | 1.000 EA |
| HA7010 | CAPACITOR RETENTION CLAMP | 1.000 EA |
| NS2501A02 | INSULATOR, CAPACITOR BOX | 1.000 EA |
| 51XB1016A08 | 10-16X 1/2HXWSSLD SERTYB | 2.000 EA |
| HW5100A03SP | WAVY WASHER (W1543-017) | 1.000 EA |
| 35PE3101A01 | PUEP ASSEMBLY FOR ROUTING | 1.000 EA |
| HW4500A01 | 1641B(ALEMITE)400 UNIV, GREASE FITT | 1.000 EA |
| XY1032A02 | 10-32 HEX NUT DIRECTIONAL SERRATION | 4.000 EA |
| 51XB1214A16 | 12-14X1.00 HXWSSLD SERTYB | 1.000 EA |
| 35FH4005A84SP | IEC FH W/GRSR, NO DIMPLES PRIMED | 1.000 EA |

| Parts List (continued) | | |
|-------------------------------|--|-----------------|
| Part Number | Description | Quantity |
| 51XW1032A06 | 10-32 X .38, TAPTITE II, HEX WSHR SLTD S | 3.000 EA |
| 35CB4521GX | CONDUIT BOX LID KIT | 1.000 EA |
| 51XW0832A07 | 8-32 X .44, TAPTITE II, HEX WSHR SLTD SE | 4.000 EA |
| HW2501D13 | KEY, 3/16 SQ X 1.375 | 1.000 EA |
| HA7000A01 | KEY RETAINER 7/8" DIA SHAFT | 1.000 EA |
| 85XU0407S04 | 4X1/4 U DRIVE PIN STAINLESS | 2.000 EA |
| WD1000A15 | 3-520132-2 AMP FLAG (4M/RL NON-CANC/NON- | 4.000 EA |
| MJ1000A02 | GREASE, POLYREX EM EXXON (USe 4824-15A) | 0.050 LB |
| 35FN3002A05 | EXFN, PLASTIC, 6.376 OD, .638 ID | 1.000 EA |
| MG1000G27 | MED CHARCOAL METALLIC GREY 400-0096 | 0.017 GA |
| HA3100A22 | THRUBOLT 10-32 X 10.125 | 4.000 EA |
| SP5181A01 | MODEL 35 LC TORQ STAT SWITCH LEAD ASSY | 1.000 EA |
| LC0001A01 | CONN LABEL / WARNING LABEL (LC0001 / LB1 | 1.000 EA |
| NP1256L | ALUM UL CSA CC | 1.000 EA |
| 35PA1066 | PKG GRP, PRINT PK1008A06 | 1.000 EA |
| MN416A01 | TAG-INSTAL-MAINT no wire (1200/bx) 11/14 | 1.000 EA |

| Accessories | | |
|--------------------|--------------------|-------------------|
| Part Number | Description | Multiplier |
| 35-8762 | C FACE KIT | A8 |

AC Induction Motor Performance Data
Record # 40163 - Typical performance - not guaranteed values

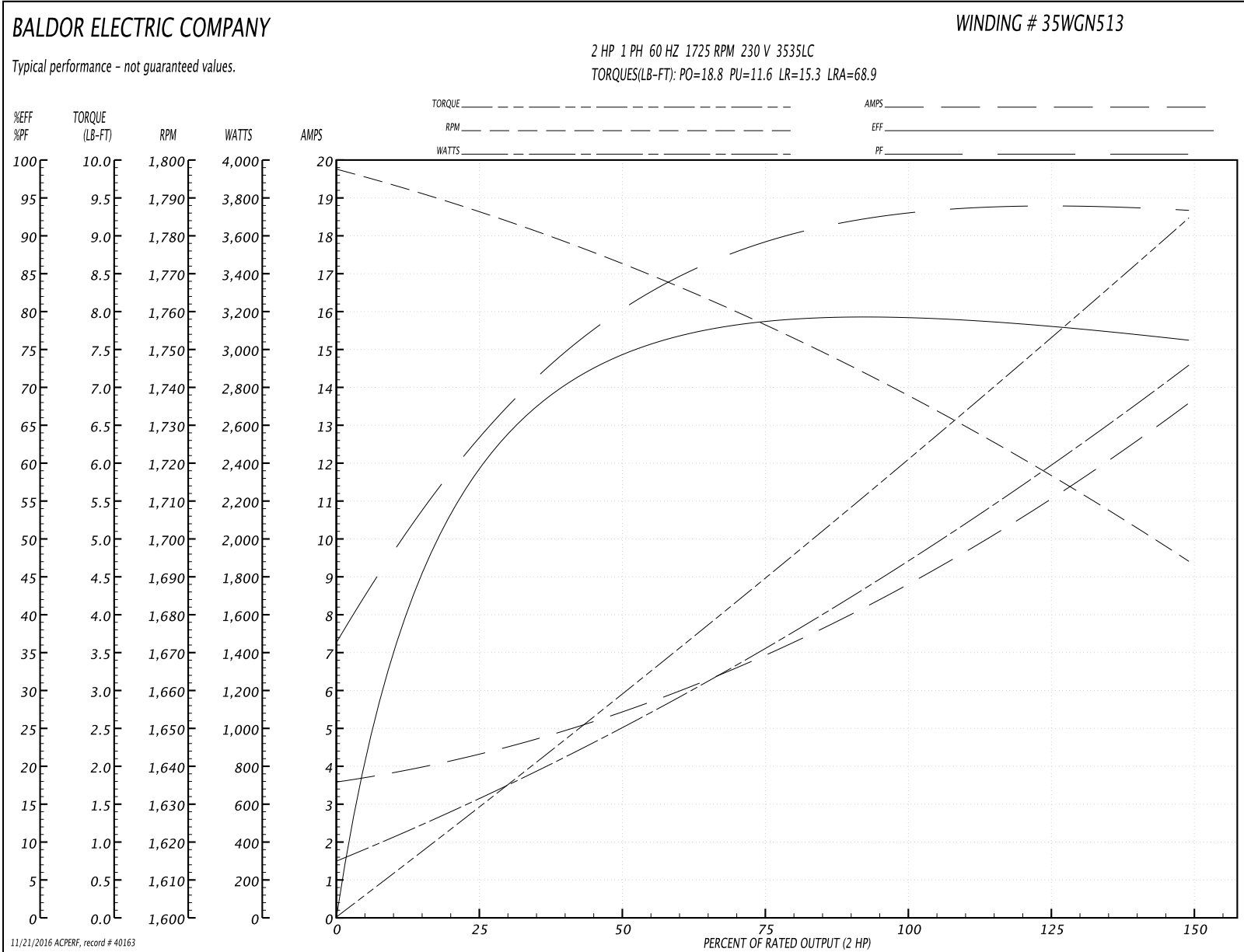
| | | |
|-------------------------------|---------------------|------------------------|
| Winding: 35WGN513-R001 | Type: 3535LC | Enclosure: TEFC |
|-------------------------------|---------------------|------------------------|

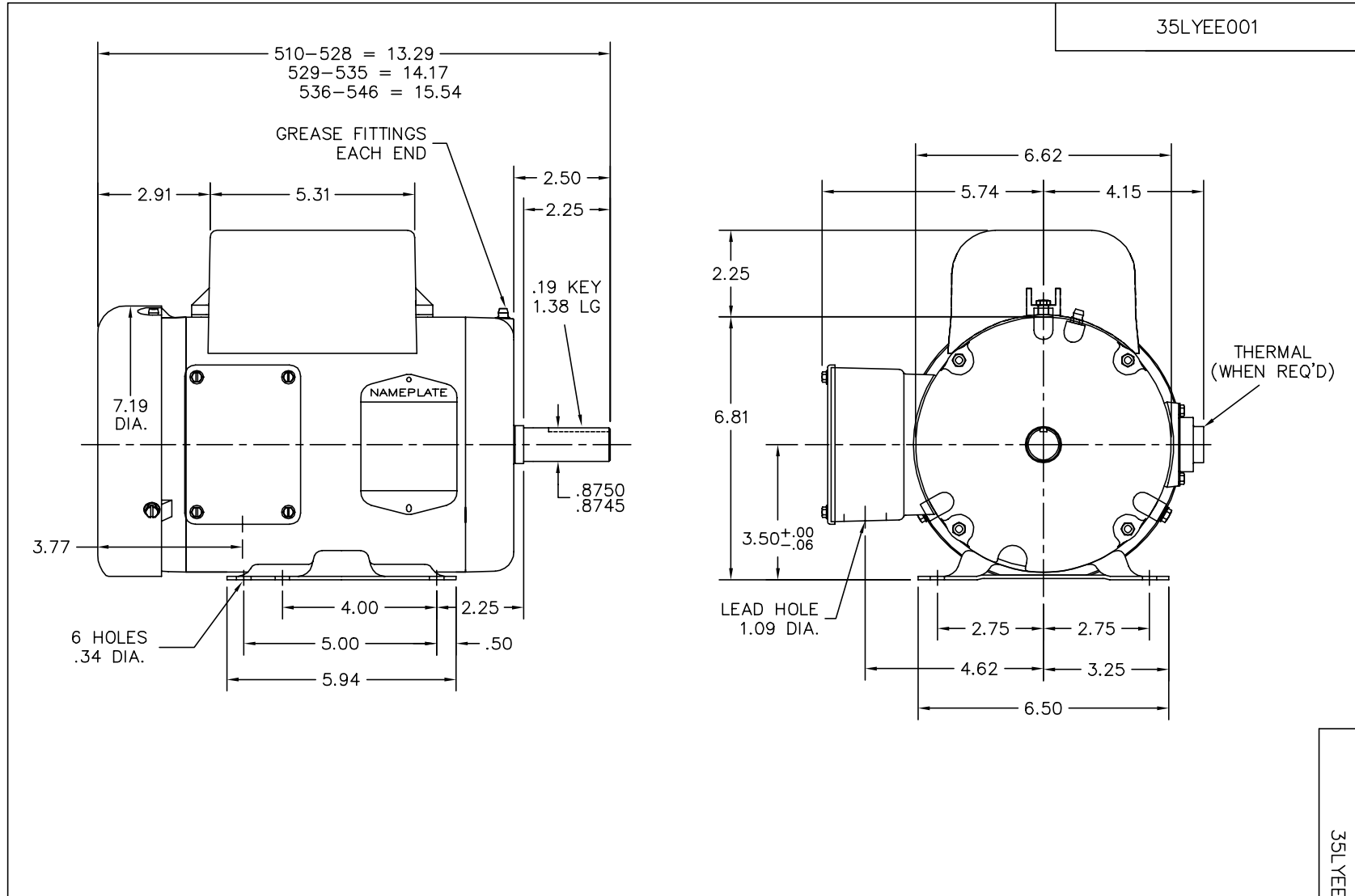
| Nameplate Data | | | | 230 V, 60 Hz: High Voltage Connection | |
|-----------------------|--------------|--------------|----|--|--------------------------------|
| Rated Output (HP) | 2 | | | Full Load Torque | 5.97 LB-FT |
| Volts | 115/230 | | | Start Configuration | direct on line |
| Full Load Amps | 17.6/8.8 | | | Breakdown Torque | 18.8 LB-FT |
| R.P.M. | 1725 | | | Pull-up Torque | 11.6 LB-FT |
| Hz | 60 | Phase | 1 | Locked-rotor Torque | 15.3 LB-FT |
| NEMA Design Code | L | KVA Code | J | Starting Current | 68.9 A |
| Service Factor (S.F.) | 1.15 | | | No-load Current | 3.64 A |
| NEMA Nom. Eff. | 78.5 | Power Factor | 92 | Line-line Res. @ 25°C | 1.2642 Ω A Ph 1.6216 Ω B Ph |
| Rating - Duty | 40C AMB-CONT | | | Temp. Rise @ Rated Load | 98°C |
| S.F. Amps | | | | Temp. Rise @ S.F. Load | 112°C |

Load Characteristics 230 V, 60 Hz, 2 HP

| % of Rated Load | 25 | 50 | 75 | 100 | 125 | 150 | S.F. |
|-----------------|--------|--------|--------|--------|--------|--------|------|
| Power Factor | 65 | 81 | 88 | 92 | 94 | 94 | 93 |
| Efficiency | 57.1 | 73 | 78.4 | 79.7 | 78.9 | 75.8 | 79.2 |
| Speed | 1785.6 | 1771.8 | 1757.2 | 1739.8 | 1719.4 | 1692.6 | 1728 |
| Line amperes | 4.17 | 5.39 | 6.93 | 8.74 | 10.9 | 13.6 | 10 |

Performance Graph at 230V, 60Hz, 2.0HP Typical performance - Not guaranteed values





CUSTOMER IS RESPONSIBLE FOR DETERMINING THAT BALDOR'S PRODUCT WILL PERFORM SUITABLY IN THE INTENDED APPLICATION.

| | | |
|----------------------|-------------|------------------------------|
| REV. DESC: NEW | | |
| REV. LTR: - | VERSION: 00 | TDR: 000000520879 |
| FILE: \AAA\00168\392 | | REVISED: 10:48:53 12/21/2009 |
| MTL: - | BY: ENALEMO | |

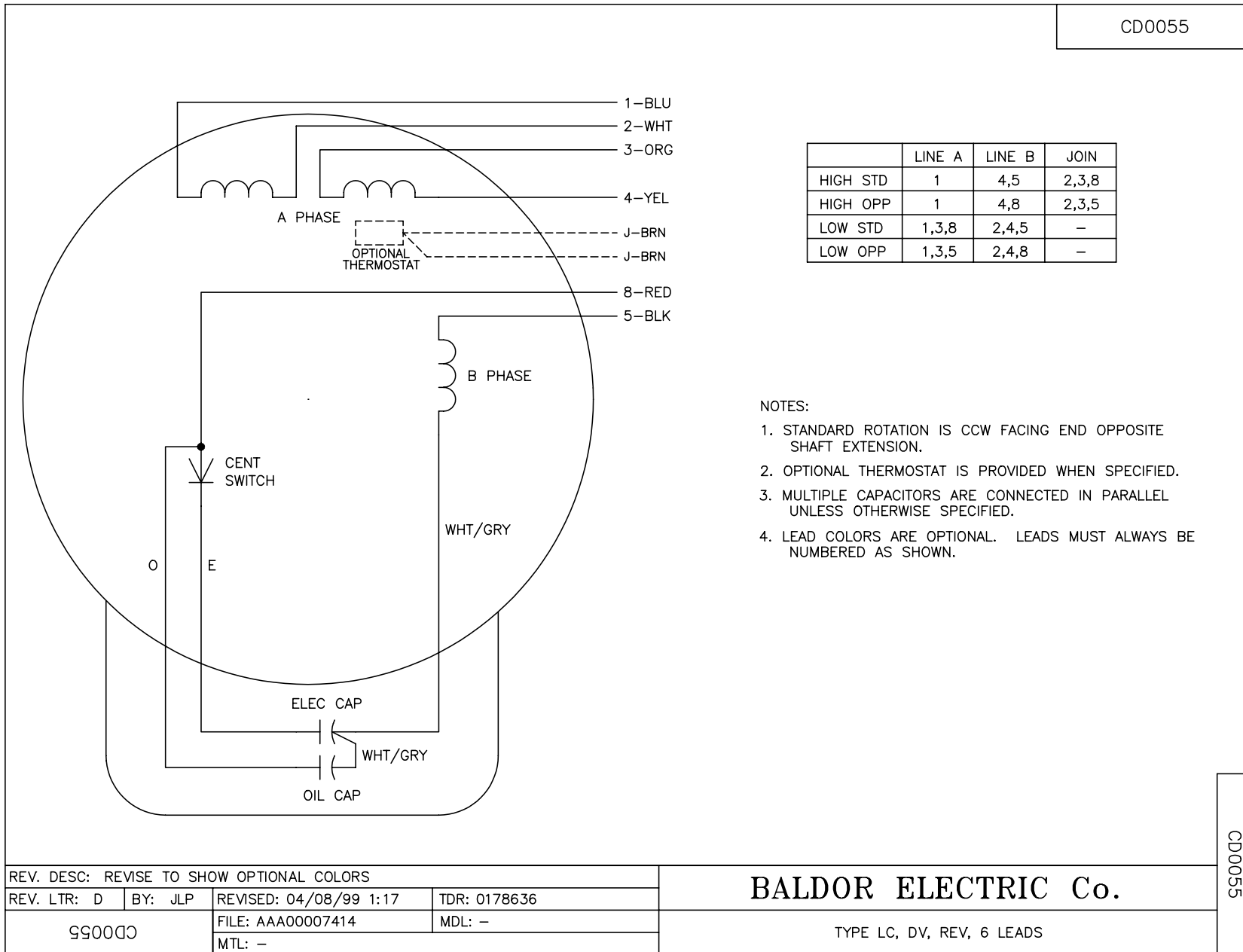
BALDOR • DODGE • RELIANCE

STD HORZ 143-5T TEFC 35LC W/1.09 DIA. LEAD HOLE

SH 1 of 1

35LYEE001

CD0055



| | | | |
|---|---------|------------------------|--------------|
| REV. DESC: REVISE TO SHOW OPTIONAL COLORS | | | |
| REV. LTR: D | BY: JLP | REVISED: 04/08/99 1:17 | TDR: 0178636 |
| 990000 | | FILE: AAA00007414 | MDL: - |
| | | MTL: - | |

BALDOR ELECTRIC Co.

TYPE LC, DV, REV, 6 LEADS

CD0055