

BALDOR® • ***RELIANCE***

Product Information Packet

MVM3458C

.25KW,1725RPM,3PH,60HZ,D71C,3320M,TEFC

Part Detail							
Revision:	AL	Status:	PRD/A	Change #:		Proprietary:	No
Type:	AC	Prod. Type:	3320M	Elec. Spec:	33WG0675	CD Diagram:	CD0005A05
Enclosure:	TEFC	Mfg Plant:		Mech. Spec:	33-1922	Layout:	33LY1922
Frame:	D71C	Mounting:	F2	Poles:	04	Created Date:	06-25-2007
Base:	N	Rotation:	R	Insulation:	F	Eff. Date:	09-07-2016
Leads:	9#18					Replaced By:	
Literature:		Elec. Diagram:					

Nameplate NP1379L					
CAT.NO.	MVM3458C				
SPEC.	33-1922-675				
IEC FRAME	D71C	K.W.	.25KW	TE	
VOLTS	230/460				
AMP	1.4/7				
RPM	1725	I.P.	54		
HZ	60	PH	3	CL	F
SER.F.	1.35	DES	B	CODE	-
NEMA-NOM-EFF	74	PF	58		
RATING	40C AMB-CONT				
CC		USABLE AT 208V	1.7		
DE	6203	ODE	6203		
SER. #					
	SFA 1.6/.8				

Parts List		
Part Number	Description	Quantity
SA007277	SA 33-1922-675	1.000 EA
RA003724	RA 33-1922-675	1.000 EA
LC0005	CONN.DIA.,TY M,9-LD,DUAL VOLT,REVERSING	1.000 EA
34CB3002C	CB CAST W/.69 DIA HOLE	1.000 EA
34GS1029A01	GASKET, CONDUIT BOX	1.000 EA
51XB1016A07	10-16 X 7/16 HXWSSLD SERTYB	2.000 EA
11XW1032G06	10-32 X .38, TAPTITE II, HEX WSHR SLTD U	1.000 EA
33EP3100A01SP	EP,33AC ODE GP 6203 TEFC W/DRAIN	1.000 EA
HW5109A05	WASHER, WAVE SPRING FOR 40MM BORE SMALLE	1.000 EA
33EP1300A35E	EP,33AC DE 6203 IEC D71C SEAL (E-COATED	1.000 EA
51XN1032A20	10-32 X 1 1/4 HX WS SL SR	2.000 EA
33FN3000SP	EXTERNAL FAN, PLASTIC	1.000 EA
HW1003A08	WASHER, #8 EX TH LK, ZN (F/S)	1.000 EA
33FH4001A01	FAN COVER, STAMPED	1.000 EA
11XT1032A06	10-32 X 3/8 HX WSHR HD SLTD TYPE 23	3.000 EA
34CB4517	CB LID 4 MTG HOLES .22 DIA STAMPED, FOR	1.000 EA
34GS1031A01	GASKET, FLAT CONDUIT BOX LID (LEXIDE)	1.000 EA
51XW0832A07	8-32 X .44, TAPTITE II, HEX WSHR SLTD SE	4.000 EA
HW2504D08	KEY, 5 MM X .875	1.000 EA
HW4600A50	SEAL,#6806 C-R .669X1.25 X.25 SNG LIP NO	1.000 EA
MJ5001A27	32220KN GRAY SEALER *MIN BUY 4 QTS=1GAL	0.001 QT
MG1000G27	MED CHARCOAL METALLIC GREY 400-0096	0.013 GA
85XU0407S04	4X1/4 U DRIVE PIN STAINLESS	2.000 EA
HA3100A44	THRUBOLT 10-32 X 8.000	2.000 EA

Parts List (continued)		
Part Number	Description	Quantity
MN416A01	TAG-INSTAL-MAINT no wire (1200/bx) 11/14	1.000 EA
LB1119N	WARNING LABEL	1.000 EA
NP1379L	ALUM IEC UL CSA CC	1.000 EA
34PA1002	PKG GRP, PRINT PK1001A01	1.000 EA
ME4000	.375-.75" DIA.#SW-04 WOVEN SHAFT PROTECT	0.125 FT

AC Induction Motor Performance Data

Record # 21950 - Typical performance - not guaranteed values

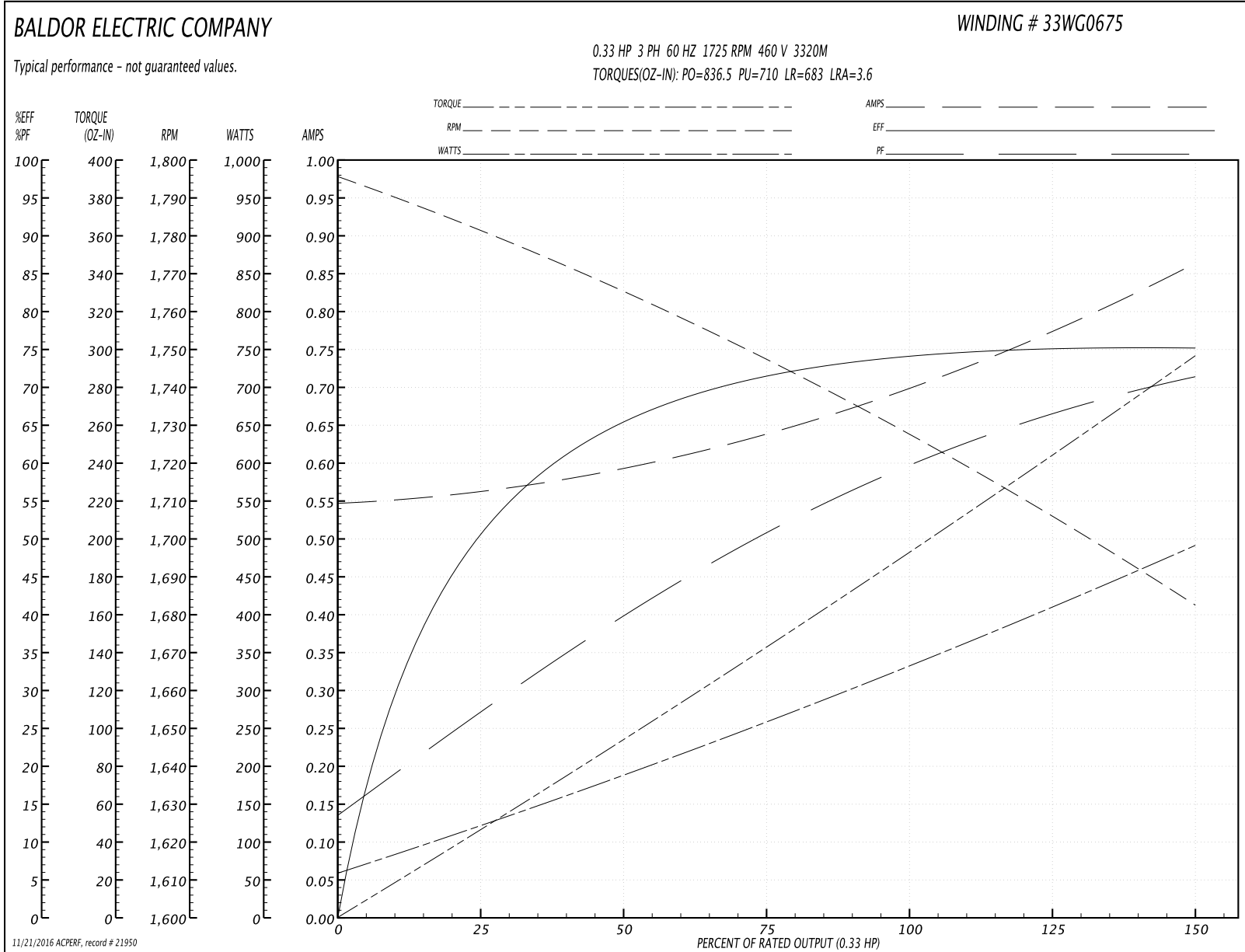
Winding: 33WG0675-R016	Type: 3320M	Enclosure: TEFC
-------------------------------	--------------------	------------------------

Nameplate Data				460 V, 60 Hz: High Voltage Connection	
Rated Output (HP)	.33			Full Load Torque	193 OZ-IN
Volts	460			Start Configuration	direct on line
Full Load Amps	.7			Breakdown Torque	836.5 OZ-IN
R.P.M.	1725			Pull-up Torque	710 OZ-IN
Hz	60	Phase	3	Locked-rotor Torque	683 OZ-IN
NEMA Design Code	B	KVA Code	-	Starting Current	3.6 A
Service Factor (S.F.)	1			No-load Current	0.55 A
NEMA Nom. Eff.	74	Power Factor	58	Line-line Res. @ 25°C	47.52 Ω
Rating - Duty	40C AMB-CONT			Temp. Rise @ Rated Load	
				Locked-rotor Power Factor	67
				Rotor inertia	43.1 LB-FT ²

Load Characteristics 460 V, 60 Hz, 0.33 HP

% of Rated Load	25	50	75	100	125	150
Power Factor	28	40	51	59	66	72
Efficiency	50.5	65.2	71.4	74.5	75.3	75
Speed	1781	1765	1746	1729	1706	1682
Line amperes	0.56	0.59	0.64	0.7	0.78	0.86

Performance Graph at 460V, 60Hz, 0.33HP Typical performance - Not guaranteed values



AC Induction Motor Performance Data

Record # 21952 - Typical performance - not guaranteed values

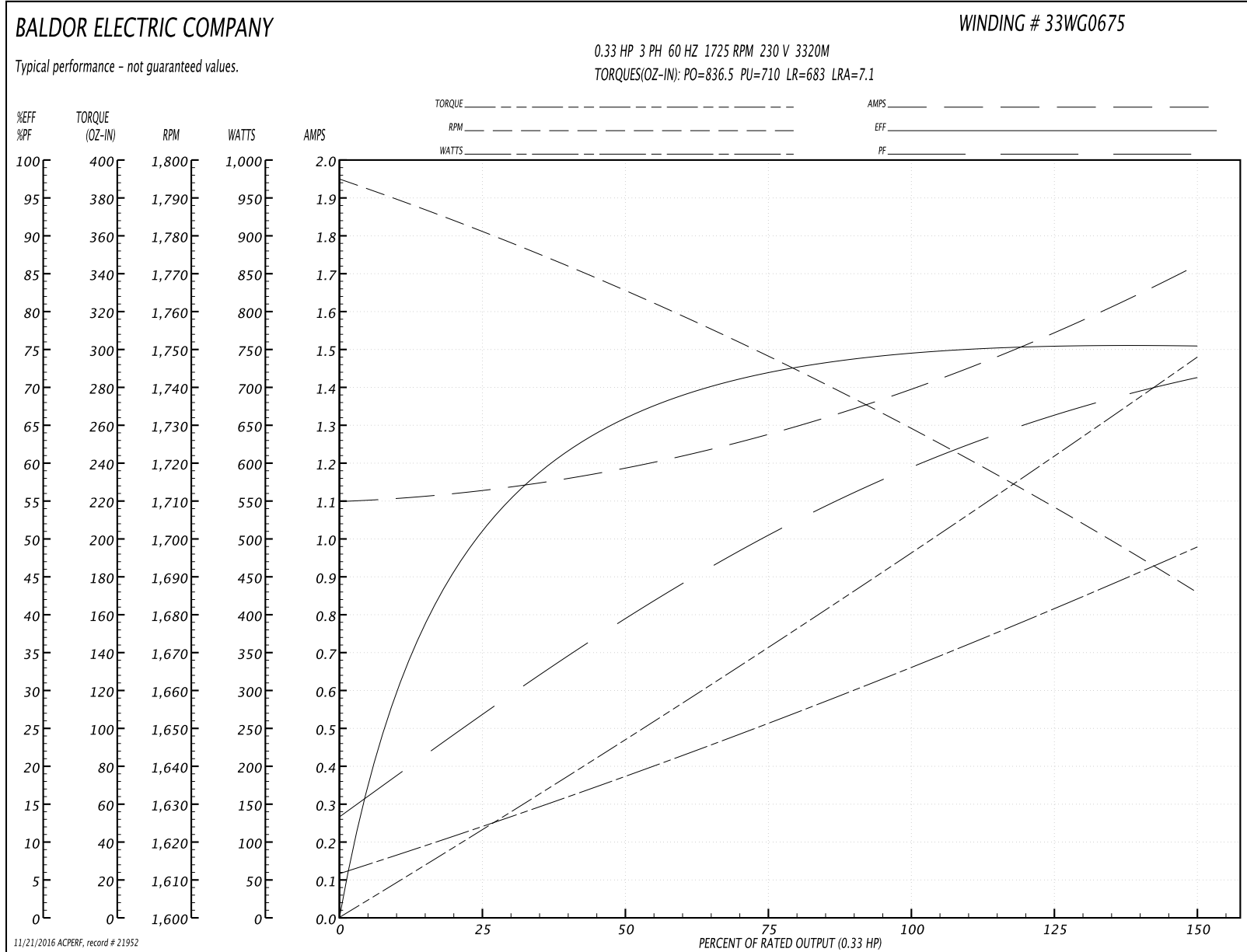
Winding: 33WG0675-R016	Type: 3320M	Enclosure: TEFC
-------------------------------	--------------------	------------------------

Nameplate Data				230 V, 60 Hz: Low Voltage Connection	
Rated Output (HP)	.33			Full Load Torque	194.2 OZ-IN
Volts	230			Start Configuration	direct on line
Full Load Amps	1.4			Breakdown Torque	836.5 OZ-IN
R.P.M.	1725			Pull-up Torque	710 OZ-IN
Hz	60	Phase	3	Locked-rotor Torque	683 OZ-IN
NEMA Design Code	B	KVA Code	-	Starting Current	7.1 A
Service Factor (S.F.)	1			No-load Current	1.1 A
NEMA Nom. Eff.	74	Power Factor	58	Line-line Res. @ 25°C	47.52 Ω
Rating - Duty	40C AMB-CONT			Temp. Rise @ Rated Load	

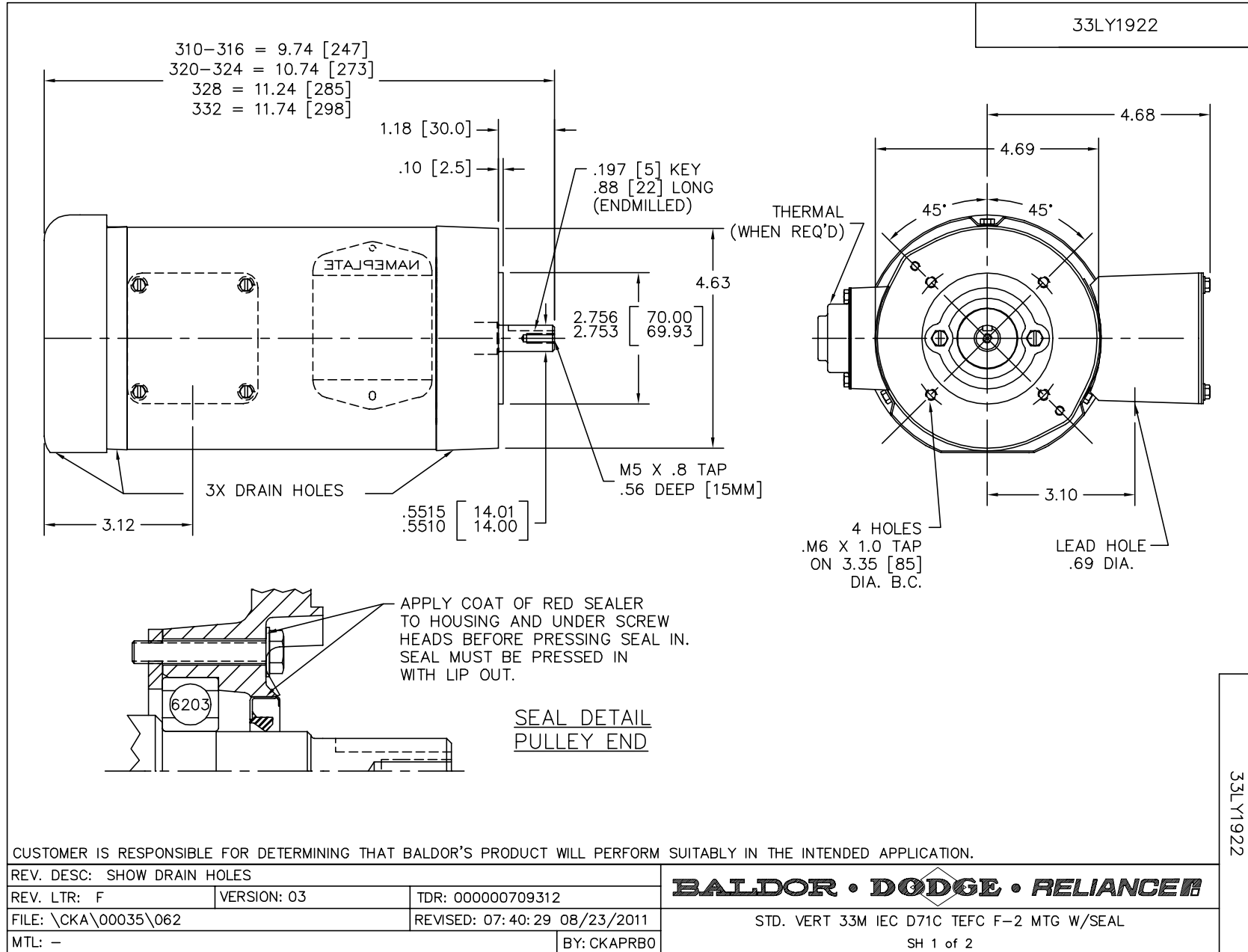
Load Characteristics 230 V, 60 Hz, 0.33 HP

% of Rated Load	25	50	75	100	125	150
Power Factor	27	40	51	60	66	72
Efficiency	51	65.6	72	74.8	75.5	75.4
Speed	1780	1764	1749	1729	1709	1685
Line amperes	1.13	1.18	1.28	1.4	1.55	1.72

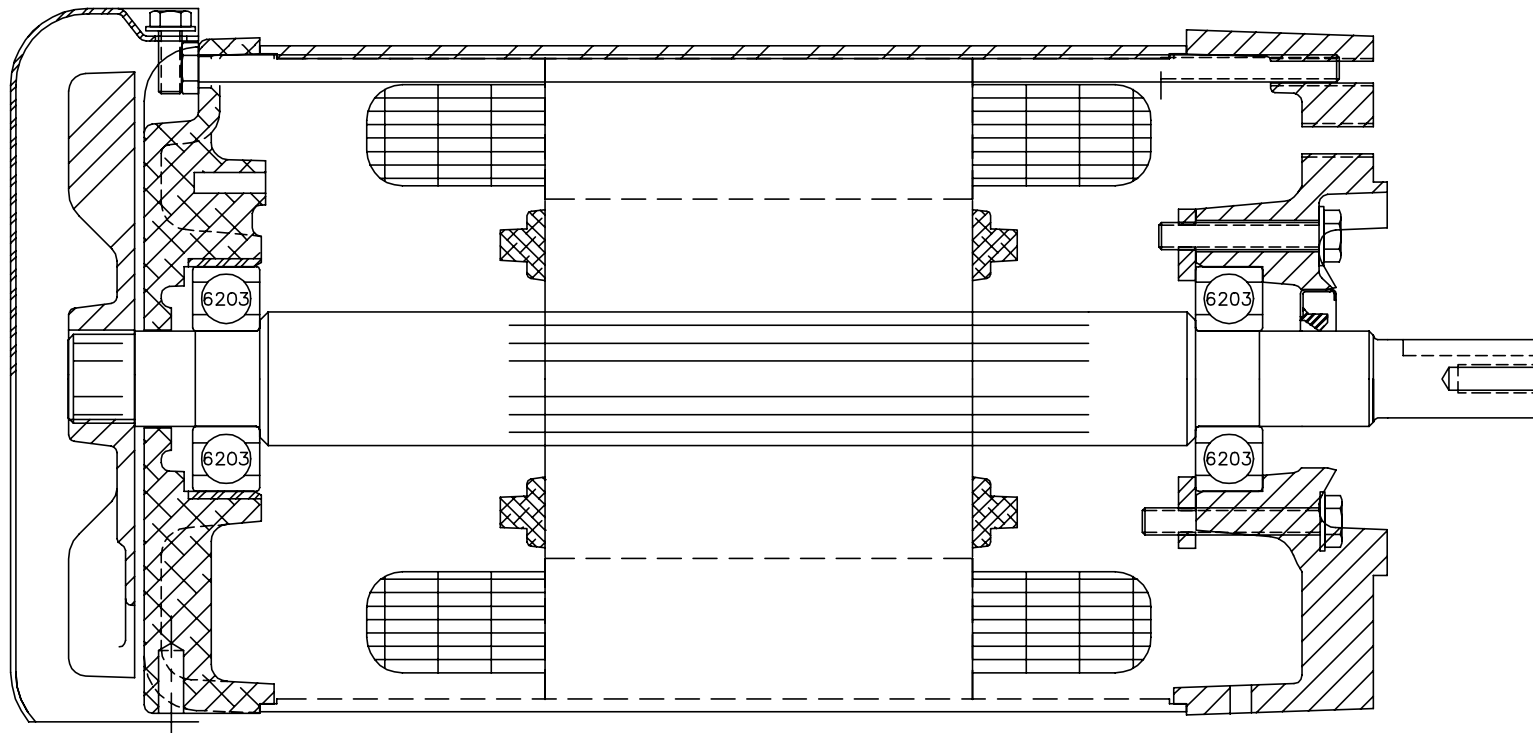
Performance Graph at 230V, 60Hz, 0.33HP Typical performance - Not guaranteed values



11/21/2016 ACPERF, record # 21952



33LY1922



33LY1922

CUSTOMER IS RESPONSIBLE FOR DETERMINING THAT BALDOR'S PRODUCT WILL PERFORM SUITABLY IN THE INTENDED APPLICATION.

REV. DESC: SHOW DRAIN HOLES

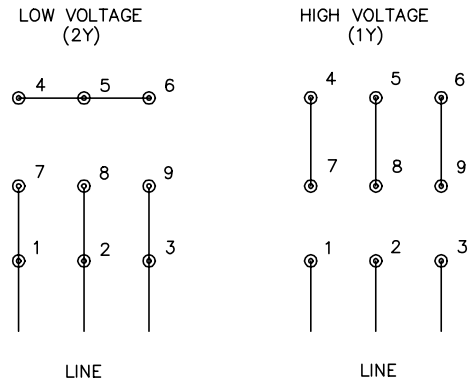
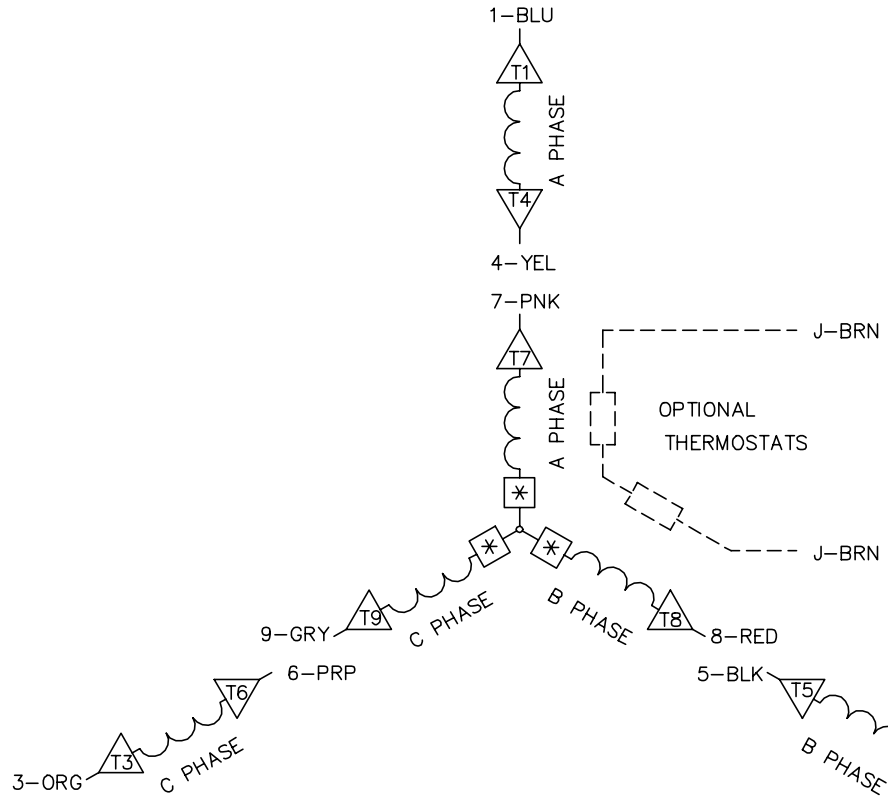
REV. LTR: F	VERSION: 03	TDR: 000000709312
FILE: \CKA\00035\062	REVISED: 07:40:30 08/23/2011	
MTL: -	BY: CKAPRBO	

BALDOR • DODGE • RELIANCE

STD. VERT 33M IEC D71C TEFC F-2 MTG W/SEAL

SH 2 of 2

CD0005A05



- NOTES:
1. INTERCHANGE ANY TWO LINE LEADS TO REVERSE ROTATION.
 2. OPTIONAL THERMOSTATS ARE PROVIDED WHEN SPECIFIED.
 3. ACTUAL NUMBER OF INTERNAL PARALLEL CIRCUITS MAY BE A MULTIPLE OF THOSE SHOWN ABOVE.
 4. LEAD COLORS ARE OPTIONAL. LEADS MUST ALWAYS BE NUMBERED AS SHOWN.
 5. =MAGNET WIRE COIL END WITH I.D. NUMBER.
 6. =MAGNET WIRE COIL END WITH I.D. SYMBOL.
 7. SEE CW PRINT FOR NEST TO NEST CROSSOVER CONNECTIONS.

REV. DESC: ADD NEST NOTE			
REV. LTR: C	VERSION: 03	TDR: 000000445597	
CD0005A05	FILE: \CKA\00024\847	REVISED: 12:51:06 11/15/2007	
	MTL: -	BY: CKMICRO	

BALDOR • DODGE • RELIANCE

3PH, DV, 9 LEADS, CK

CD0005A05