

BALDOR® • **RELIANCE**

Product Information Packet

OF4404T

75HP, 1130RPM, 3PH, 60HZ, 444T, A4488M, TEFC, F

Part Detail							
Revision:	H	Status:	PRD/A	Change #:		Proprietary:	No
Type:	AC	Prod. Type:	A4488M	Elec. Spec:	A44WG3741	CD Diagram:	416820-004
Enclosure:	TEFC	Mfg Plant:		Mech. Spec:		Layout:	617427-007
Frame:	444T	Mounting:	F2	Poles:	06	Created Date:	08-21-2012
Base:		Rotation:	R	Insulation:	F	Eff. Date:	09-17-2015
Leads:	6#4					Replaced By:	
Literature:		Elec. Diagram:					

Nameplate NP2531L			
CAT.NO.	OF4404T	SPEC NO.	P44G3989
HP	75	PHASE	3
RPM	1130	DESIGN	D
VOLTS	460/796	TYPE	P
AMPS	89.2/51.5	AMB	40
DRIVE END BEARING	90BC03J30X	SF	1.15
OPP D.E. BEARING	90BC03J30X	INSUL.CLASS	F
SER.NO.		ENCL	TEFC
		CODE	G
		NEMA-NOM-EFFICIENCY	88.5
		MOTOR WEIGHT	2131
		FRAME	444T

Parts List		
Part Number	Description	Quantity
SA249756	SA P44G3989	1.000 EA
RA236616	RA P44G3989	1.000 EA
421948037	LABEL, MYLAR	1.000 EA
000692000FF	N/P	1.000 EA
000692000VD	LABEL WARNING	1.000 EA
NP2531L	INDUSTRIAL MOTOR,SS, CSA-C US,	1.000 EA
089490099A	G28 BRKT 089490098WCA KB	1.000 EA
083199082A	G28 FAN COVER MACHINING SHORT VERSION	1.000 EA
034180014DA	KEY 1/4X1/4X1-3/4 L	1.000 EA
412118006A	DRAIN	1.000 EA
702618003T	FAN 440	1.000 EA
034530044AB	P/NIP 1/8X5-1/2L GALV.	1.000 EA
004824015A	GREASE POLYREX EM	1.160 LB
032018020FK	HHCS 3/4-10X2-1/2 PLTD.	4.000 EA
032018008CK	HHCS 3/8-16X1L PLATED	4.000 EA
032018030DK	HHCS 1/2-13X3-3/4 PLTD.	3.000 EA
415096002A	CPLG 1/8 HEX TYPE	1.000 EA
415045002A	SLGR	1.000 EA
410700004A	WSHR	1.000 EA
034017014AB	LCKW 3/8 STD. PLATED	4.000 EA
034530064AB	P/NIP 1/8 X 8" L Pipe Nipple	1.000 EA
034690005AB	PPLG 3/4 PLATED	2.000 EA
034631002AB	BUSH 1/4 TO 1/8 PLTD.	1.000 EA
034530064BB	P/NIP 1/4X8 PLATED	1.000 EA

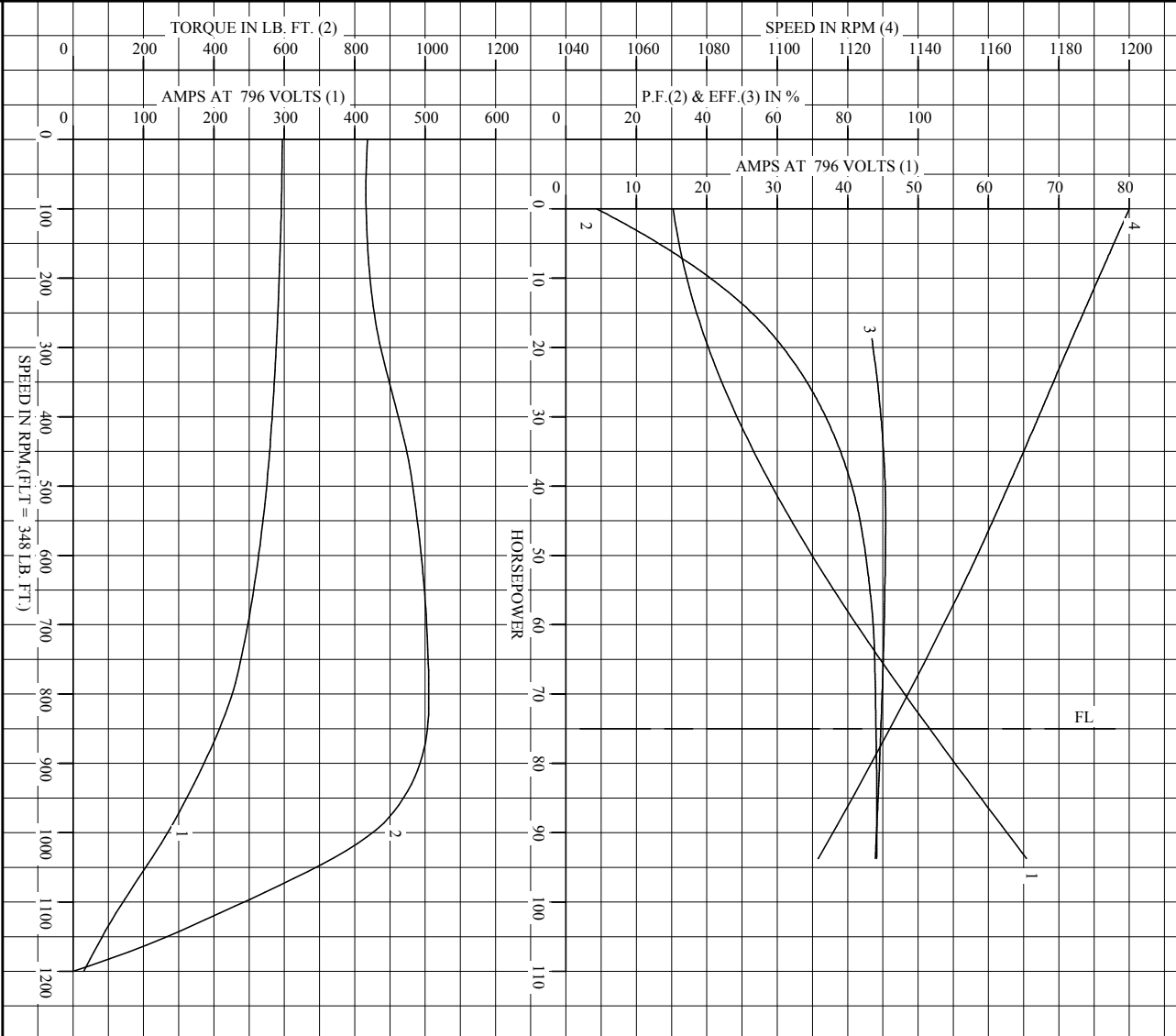
Parts List (continued)		
Part Number	Description	Quantity
418151014G	RETAIN RING	1.000 EA
034631002AB	BUSH 1/4 TO 1/8 PLTD.	1.000 EA
034530044BB	P/NIP 1/4X5-1/2L PLT	1.000 EA
702623013A	THERMAL BARRIER -- G28 -- BRACKET MTD	1.000 EA
032018004BK	HHCS 5/16-18X1/2 PLATED	3.000 EA
034017013AB	LCKW 5/16 STD. PLATED	3.000 EA
089490099A	G28 BRKT 089490098WCA KB	1.000 EA
415915007G	GASK, LAC	1.000 FT
032018020FK	HHCS 3/4-10X2-1/2 PLTD.	4.000 EA
032018030DK	HHCS 1/2-13X3-3/4 PLTD.	3.000 EA
415045002A	SLGR	1.000 EA
412118006A	DRAIN	1.000 EA
415096002A	CPLG 1/8 HEX TYPE	1.000 EA
076863000C	+CBCST BLKT - 440	1.000 EA
406056007A	GASKET, 440	1.000 EA
076864000A	CB CVRCST BLKT - 440	1.000 EA
067053001C	GASK 440	1.000 EA
418150003A	GREASE FITTING CAP	1.000 EA
MG1025G03	WILKOFAS, 789.901, OIL RIG SILVER	0.500 GA
032018008BK	HHCS 5/16-18X1L PLATED	4.000 EA
032018008DK	HHCS 1/2-13X1 PLATED	4.000 EA
032620016LA	SOCKET SET SCREW-449	3.000 EA
035000001A	ALFTG 1/8" 1610-BL	1.000 EA
035000001A	ALFTG 1/8" 1610-BL	1.000 EA

Product Information Packet: OF4404T - 75HP,1130RPM,3PH,60HZ,444T,A4488M,TEFC,F

418150003A	GREASE FITTING CAP	1.000 EA
415000103D	T/LUG #4AWG-1/0AWG W/HOLE FOR .250 BOLT	1.000 EA
406099000A	PLUG - FAN COVER 320-440	1.000 EA
033512004LB	HHTTS 1/4-20X1/2 PLTD.	1.000 EA
033775004EA	DRSCR #6-1/4 304 S.S.	2.000 EA
034180054KA	KEY 7/8X7/8X6-3/4 L	1.000 EA
PK5004A09	BASE 48 X 39-1/4 STACK 2 X 4 RUUNER	1.000 EA
035000001G	GREASE RELIEF FITTING, ALEMITE 317400	1.000 EA
035000001G	GREASE RELIEF FITTING, ALEMITE 317400	1.000 EA

Accessories		
Part Number	Description	Multiplier
18-1302	C-FACE KIT FOR T CONVERTS T TO TC	A8
18EP1500A01SP	D-FLANGE KIT	A8

REL S.O. _____ RPM 1130 S.F. 1.15 ROTOR 418143-69-DA
 FRAME 445T VOLTS 460/796 NEMA DESIGN D TEST S.O. CALCULATED DATA
 HP 75 AMPS 89.2/51.5 CODE LETTER G TEST DATE ---
 TYPE P DUTY CONT AMB °C/INSUL 40/F ENCLOSURE TEFC STATOR RES. @ 25 °C .0652/.195
 PHASE/HERTZ 3/60 E/S 497782 OHMS (BETWEEN LINES)



AMPERES SHOWN FOR 796 VOLT CONNECTION, IF OTHER VOLTAGE CONNECTIONS ARE AVAILABLE, THE AMPERES WILL VARY INVERSELY WITH THE RATED VOLTAGE.

BALDOR A MEMBER OF THE ABB GROUP

DR. BY B. PENDELLEY
 CK. BY T. KEHLANI
 App. BY T. KEHLANI
 DATE 09/26/11

A-C MOTOR PERFORMANCE CURVES A44WG3741-R001
 ISSUE DATE 09/26/11

Printed on 9/28/11 13:17 @ ragsun

REL. S.O.	FRAME	HP	TYPE	PHASE/ HERTZ	RPM	VOLTS
	445T	75	P	3/60	1130	460/796
AMPS	DUTY	AMB °C/ INSUL.	S.F.	NEMA DESIGN	CODE LETTER	ENCL.
89.2/51.5	CONT	40/F	1.15	D	G	TEFC
E/S	ROTOR	TEST S.O.	TEST DATE	STATOR RES. @25 °C (BETWEEN LINES)		
497782	418143-69-DA	---	---	.0652/.195		


PERFORMANCE

LOAD	HP	AMPERES	RPM	POWER FACTOR %	EFFICIENCY %
NO LOAD	0	15.3	1200	8.71	0
1/4	18.8	19.6	1184	59.7	86.9
2/4	37.5	28.1	1168	79.7	90.5
3/4	56.2	38.8	1151	86.6	90.5
4/4	75.0	51.6	1132	88.0	89.4
5/4	93.7	65.5	1112	88.2	87.8

SPEED TORQUE

	RPM	TORQUE % FULL LOAD	TORQUE LB.-FT.	AMPERES
LOCKED ROTOR	0	240	836	297
PULL UP	0	240	836	297
BREAKDOWN	810	290	1010	223
FULL LOAD	1132	100	348	51.6

AMPERES SHOWN FOR 796. VOLT CONNECTION. IF OTHER VOLTAGE CONNECTIONS ARE AVAILABLE, THE AMPERES WILL VARY INVERSELY WITH THE RATED VOLTAGE
 REMARKS: CALCULATED DATA

 A MEMBER OF THE ABB GROUP	DR. BY	B. R. PENNIEY	A-C MOTOR PERFORMANCE A44WG3741-R001 DATA ISSUE DATE 09/26/11
	CK. BY	T. KEIATT	
	APP. BY	T. KEIATT	
	DATE	09/26/11	

617427-007

DUTY MASTER ALTERNATING CURRENT MOTORS

SQUIRREL-CAGE INDUCTION

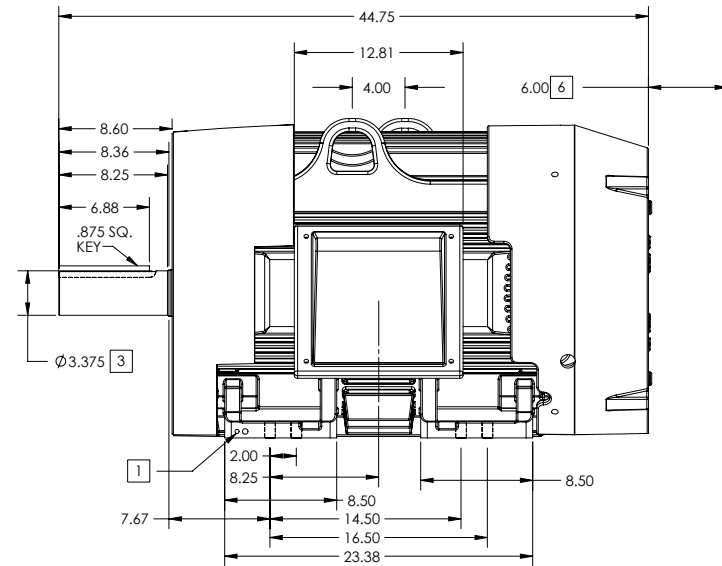
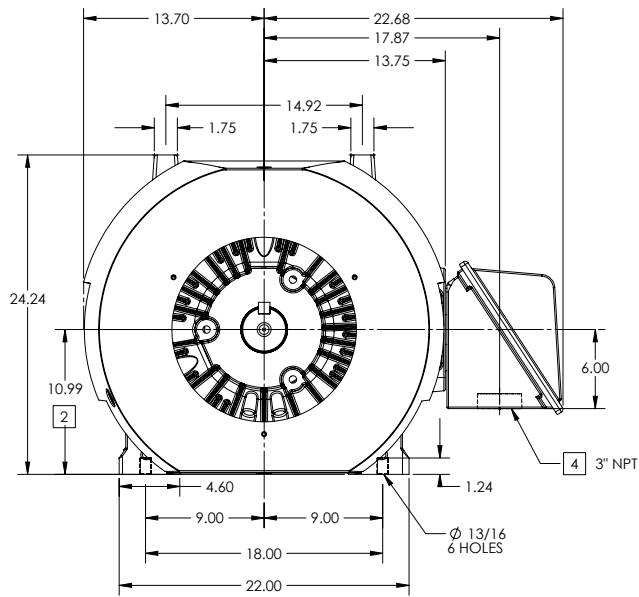
ENCLOSURE: TOTALLY ENCLOSED

FRAME G445T ABOVE NEMA RATINGS

COOLING: FAN COOLED

MOUNTING: FOOT

INCLUDES 444T FRAME MOUNTING HOLES



1. GROUND HOLES QTY 1 1/2-13 TAP; QTY 1 3/8-16 TAP
2. VARIES +.00,-.06
3. VARIES +.000,-.001
4. ON STANDARD MOTORS THIS IS CONDUIT SIZE. ON XT AND CORROSION PROOF MOTOR THIS IS PIPE TAP.
5. MOTOR WEIGHTS MAY VARY BY 15% DEPENDING ON RATING.
6. OBSTRUCTION MUST NO ENCROACH ON AIR INLET

[5] WEIGHT (LBS): 2150

DRIVE END AIR DEFLECTOR IS ONLY INCLUDED WHEN NECESSARY.

DIMENSIONS ARE IN INCHES; SEE SHEET 2 FOR DIMENSIONS IN MILLIMETERS

CUSTOMER IS RESPONSIBLE FOR DETERMINING THAT MOTOR PERFORMANCE IS SUITABLE IN THE APPLICATION.

CONDUIT BOX LOCATED ON OPPOSITE SIDE WHEN F-1.
IF MOUNTING CLEARANCE DETAILS ARE REQUIRED, CONSULT FACTORY.
MAXIMUM PERMISSIBLE SHAFT RUNOUT WHEN MEASURED AT END OF
STANDARD SHAFT EXTENSION IS .003" T.I.R. TO 5 INCH DIA.

SHEET NUMBER
1 OF 2

1007-LCPZ119

REV. DESC INITIAL RELEASE		REVISED: 11.00.02 09/12/2012		TDR: 900000769644	
REV: -	VERSION: 00	MODEL NO. 617427-007	BY: RAGTBM	MATERIAL:	REF:

BALDOR

G445T/444T STD - FOOTED - SIDE/CENTER C/B - F2 MOUNT

617427-007

617427-007

DUTY MASTER ALTERNATING CURRENT MOTORS

SQUIRREL-CAGE INDUCTION

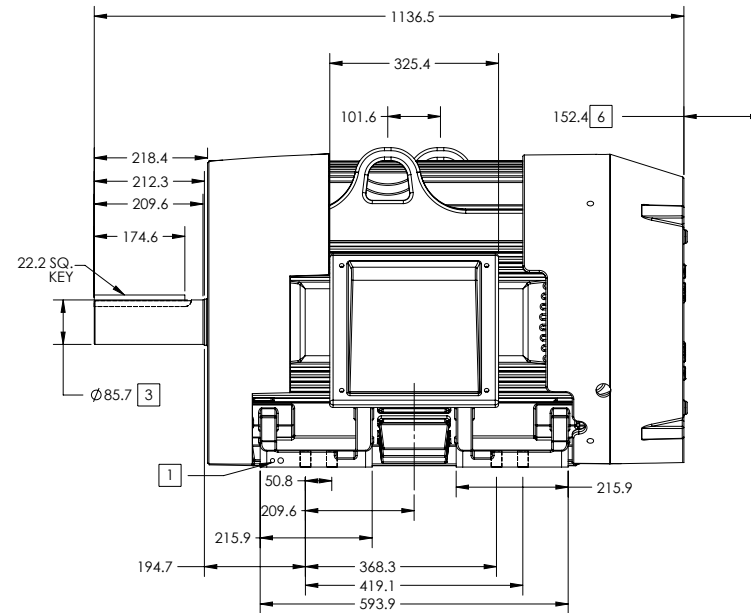
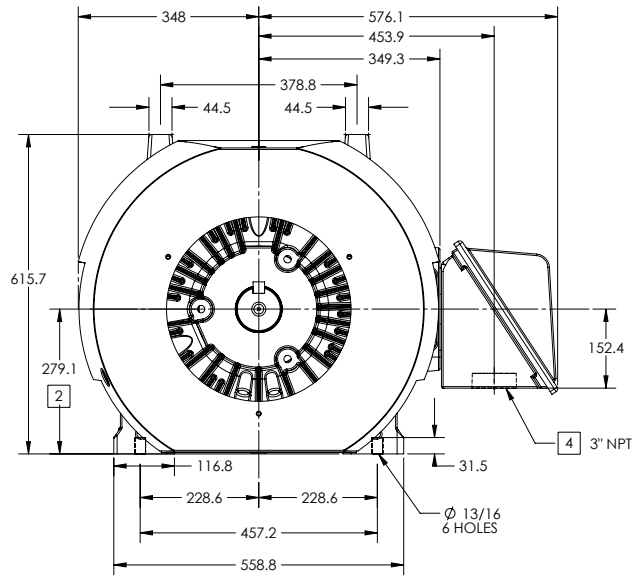
ENCLOSURE: TOTALLY ENCLOSED

FRAME G445T ABOVE NEMA RATINGS

COOLING: FAN COOLED

MOUNTING: FOOT

INCLUDES 444T FRAME MOUNTING HOLES



- 1. GROUND HOLES QTY 1 1/2-13 TAP; QTY 1 3/8-16 TAP
- 2. VARIES +.00,-.06
- 3. VARIES +.000,-.001
- 4. ON STANDARD MOTORS THIS IS CONDUIT SIZE. ON XT AND CORROSION PROOF MOTOR THIS IS PIPE TAP.
- 5. MOTOR WEIGHTS MAY VARY BY 15% DEPENDING ON RATING.
- 6. OBSTRUCTION MUST NO ENCROACH ON AIR INLET

[5] WEIGHT (KGS): 975

DRIVE END AIR DEFLECTOR IS ONLY INCLUDED WHEN NECESSARY.

DIMENSIONS ARE IN MILLIMETERS; SEE SHEET 2 FOR DIMENSIONS IN INCHES

CUSTOMER IS RESPONSIBLE FOR DETERMINING THAT MOTOR PERFORMANCE IS SUITABLE IN THE APPLICATION.

CONDUIT BOX LOCATED ON OPPOSITE SIDE WHEN F-1.
IF MOUNTING CLEARANCE DETAILS ARE REQUIRED, CONSULT FACTORY.
MAXIMUM PERMISSIBLE SHAFT RUNOUT WHEN MEASURED AT END OF
STANDARD SHAFT EXTENSION IS .003" T.I.R. TO 5 INCH DIA.

SHEET NUMBER
2 OF 2

1000-LCP-119

REV. DESC INITIAL RELEASE			
REV: -	VERSION: 00	REVISED: 11.00.02 09/12/2012	TDR: 00000760644
MODEL NO. 617427-007		REF:	
BY: RAGTBM	Material:	C	

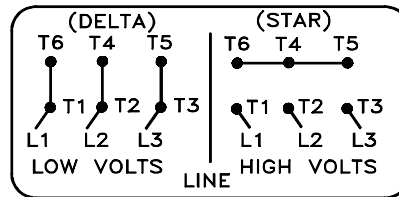
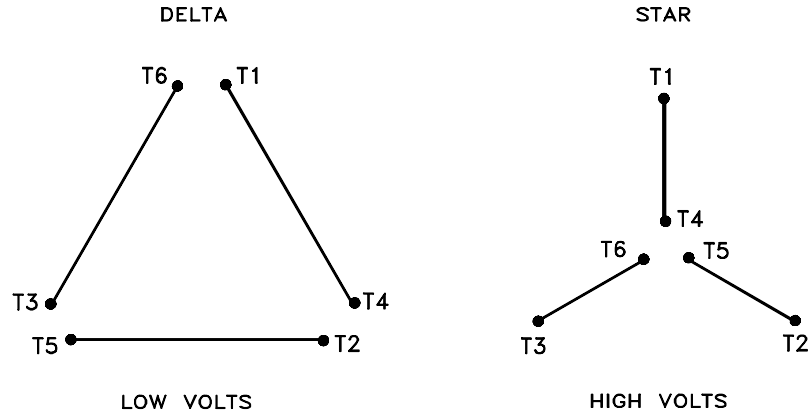
BALDOR

G445T/444T STD - FOOTED - SIDE/CENTER C/B - F2 MOUNT

617427-007

416820-004

A-C MOTOR
CONNECTION DIAGRAM
STANDARD 6 LEAD (DELTA/STAR CONNECTED)
DUAL VOLTAGE (LOW VOLTS/HIGH VOLTS)



(N.P. 1767-CC)

416820-004

REV. DESC: ADDED CLASSIFICATONS		
REV. LTR: B	VERSION: 02	TDR: 000000539297
FILE: \RSN\00017\950	REVISED: 11:58:09 05/04/2010	
MTL: -	BY: RAGRA	

BALDOR

A-C MOTOR CONNECTION DIAGRAM

SH 1 of 1

Marketing maintained PDF of MN408:

<http://www.baldor.com/support/Literature/Load.ashx/MN408?ManNumber=MN408>

Marketing maintained PDF of MN416:

<http://www.baldor.com/support/Literature/Load.ashx/MN416?ManNumber=MN416>