

# **BALDOR**® • **RELIANCE**

## **Product Information Packet**

# **UCL710**

**7.5-10 AIR OVERHP,3450RPM,1PH,60HZ,182TZ**

Part Detail							
Revision:	E	Status:	PRD/A	Change #:		Proprietary:	No
Type:	AC	Prod. Type:	3646LC	Elec. Spec:	36WGW041	CD Diagram:	CD0208
Enclosure:	OPEN	Mfg Plant:		Mech. Spec:	36M939	Layout:	36LYM939
Frame:	182TZ	Mounting:	F1	Poles:	02	Created Date:	02-09-2010
Base:	RG	Rotation:	R	Insulation:	F	Eff. Date:	09-10-2015
Leads:	2#10 A PH,3#16 B PH 30" long Y					Replaced By:	
Literature:		Elec. Diagram:					

<b>Nameplate NP1279L</b>											
<b>CAT.NO.</b>	UCL710										
<b>SPEC.</b>	36M939W041G1										
<b>HP</b>	7.5-10 AIR OVER										
<b>VOLTS</b>	230										
<b>AMP</b>	31-42										
<b>RPM</b>	3450										
<b>FRAME</b>	182TZ				<b>HZ</b>	60		<b>PH</b>	1		
<b>SER.F.</b>	1.00			<b>CODE</b>	F		<b>DES</b>	L		<b>CL</b>	F
<b>NEMA-NOM-EFF</b>	85			<b>PF</b>	93						
<b>RATING</b>	40C AMB-CONT										
<b>CC</b>								<b>USABLE AT 208V</b>			
<b>DE</b>	6206				<b>ODE</b>	6205					
<b>ENCL</b>	OPEN			<b>SN</b>							

<b>Nameplate NP1263L</b>	
<b>CAT.NO.</b>	UCL710
<b>SPEC.</b>	36M939W041G1
<b>HP</b>	7.5-10 AIR OVER
<b>VOLTS</b>	230
<b>AMP</b>	31-42
<b>RPM</b>	3450
<b>FRAME</b>	182TZ
<b>SER.F.</b>	1.00
<b>NEMA-NOM-EFF</b>	85
<b>RATING</b>	40C AMB-CONT
<b>CC</b>	USABLE AT 208V
<b>DE</b>	6206
<b>ENCL</b>	OPEN
<b>ODE</b>	6205
<b>SN</b>	
<b>CODE</b>	F
<b>PF</b>	93
<b>HZ</b>	60
<b>DES</b>	L
<b>CL</b>	F
<b>PH</b>	1

Parts List		
Part Number	Description	Quantity
SA190938	SA 36M939W041G1	1.000 EA
RA178603	RA 36M939W041G1	1.000 EA
OC3040F09SP	CYL OIL CAP 40MFD/370V	1.000 EA
EC1216C06SP	ELEC CAP, 216-259 MFD, 250V, 2.06D X 4.	2.000 EA
HA6021A01SP	ADAPTOR, MACH	1.000 EA
51XB1016A07	10-16 X 7/16 HXWSSLD SERTYB	2.000 EA
11XW1032G06	10-32 X .38, TAPTITE II, HEX WSHR SLTD U	1.000 EA
HW3001B02	BRASS CUP WASHER W/GROUND SYMBOL TAB,	1.000 EA
36EP3200A37	FR ENDPLATE, MACH W/GRD SCREW 30 DEG OFF	1.000 EA
HA1103A08	RODENT SCREEN, 36 FRAME, OPEN, FRONT END	1.000 EA
51XW1032A06	10-32 X .38, TAPTITE II, HEX WSHR SLTD S	4.000 EA
HW1000A10	#10 FLAT WASHER (SAE)	4.000 EA
HW4500A19	1/4-28X1/4 SLOTTED PLUG F/S	2.000 EA
13XF0832A08	8-32 X.50 PAN HD,SLTD, TYPE F SCREW, ZIN	2.000 EA
SP1008A01	BAFFLE, MODEL 36 & 37	1.000 EA
NS2501A01	INSULATOR, CAPACITOR	2.000 EA
51XB1016A05	10-16X5/16HX WA SL SR TYB (F/S)	4.000 EA
HW5100A05	WVY WSHR F/205 & 304 BRGS	1.000 EA
36PE3201A03	FR/PU ENDPLATE, ASSEMBLY FOR ROUTING	1.000 EA
HA1103A10	RODENT SCREEN, 36 FRAME, OPEN, PULLEY EN	1.000 EA
51XW1032A06	10-32 X .38, TAPTITE II, HEX WSHR SLTD S	4.000 EA
HW1000A10	#10 FLAT WASHER (SAE)	4.000 EA
HW4500A19	1/4-28X1/4 SLOTTED PLUG F/S	2.000 EA
10XN2520A20	1/4-20X 1 1/4 HEX HD X	2.000 EA

<b>Parts List (continued)</b>		
<b>Part Number</b>	<b>Description</b>	<b>Quantity</b>
HW1001A25	LOCKWASHER 1/4, ZINC PLT .493 OD, .255 I	2.000 EA
XY2520A12	1/4-20 HEX NUT, DIRECTIONAL SERRATIONS	4.000 EA
HW2501E18	KEY, 1/4 SQ X 2.000	1.000 EA
HA7000A02	KEY RETAINER RING, 1 1/8 DIA, 1 3/8 DIA	1.000 EA
85XU0407S04	4X1/4 U DRIVE PIN STAINLESS	2.000 EA
LB1001	LABEL, GREASE-EXXON POLYREX EM	1.000 EA
HW3200A01	3/8-16X3/4 I-BLT WELDED F/S	1.000 EA
MJ1000A02	GREASE, POLYREX EM EXXON (USe 4824-15A)	0.050 LB
LB1115N	LABEL,LIFTING DEVICE (ON ROLLS)	1.000 EA
LD5000A24	LEAD ASSY, ML1400DF10 W/#10 RING 12"	1.000 EA
SP5172A13	37 TYPE L TORQ STAT SWITCH LEAD ASSEMBLY	1.000 EA
WD1000A15	3-520132-2 AMP FLAG (4M/RL NON-CANC/NON-	6.000 EA
35CB4802A02SP	CAPACITOR COVER, STAMPED X	2.000 EA
HA3101A28	THRUBOLT 1/4-20 X 12.500 OHIO ROD	4.000 EA
MG1025C02	WILKOFASST SG, 787.105, TAN	0.022 GA
LB1119N	WARNING LABEL	1.000 EA
LC0208	CONNECTION LABEL	1.000 EA
NP1279L	ALUM FARM DUTY UL CSA CC	1.000 EA
NP1263L	AUX, GP, ALUM, CC, LASER ETCHED	1.000 EA
36PA1001	PKG GRP, PRINT PK1017A06	1.000 EA
MN416A01	TAG-INSTAL-MAINT no wire (1200/bx) 11/14	1.000 EA

<b>Accessories</b>		
<b>Part Number</b>	<b>Description</b>	<b>Multiplier</b>
36-3403	C FACE KIT	A8
36EP1405A09SP	D-FLANGE KIT	A8

**AC Induction Motor Performance Data**

Record # 10677 - Typical performance - not guaranteed values

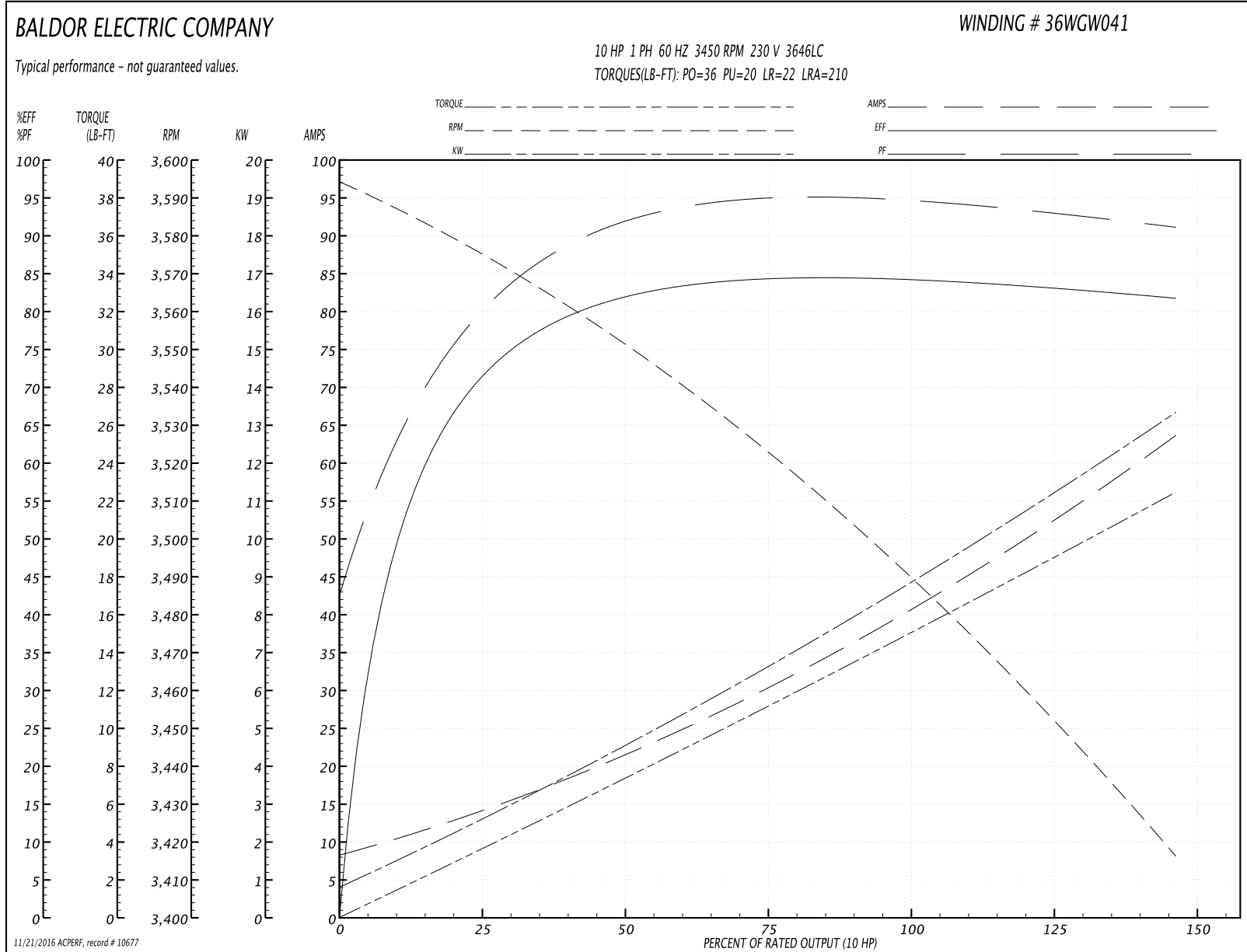
<b>Winding:</b> 36WGW041-R001	<b>Type:</b> 3646LC	<b>Enclosure:</b> OPAO
-------------------------------	---------------------	------------------------

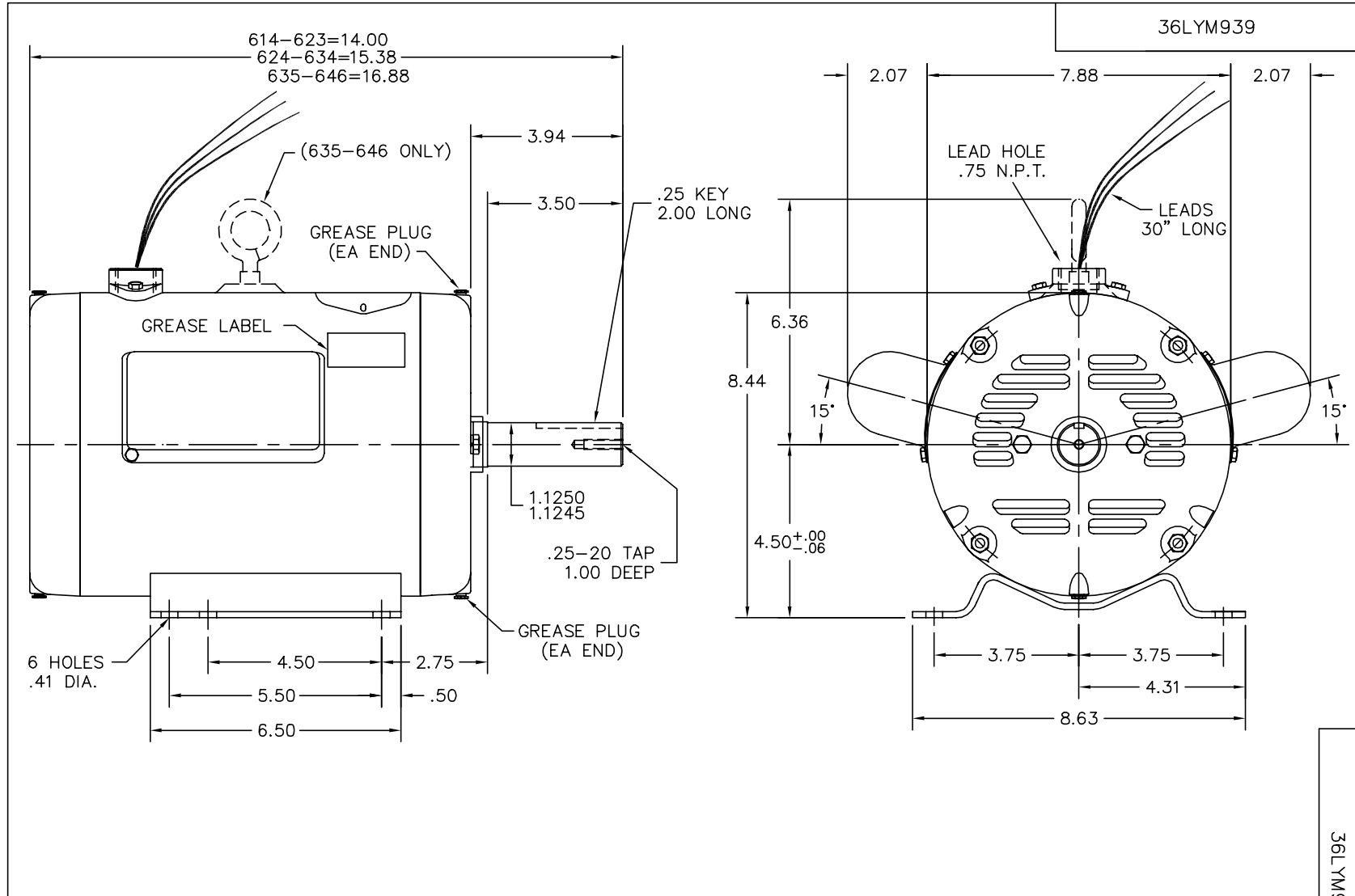
Nameplate Data				230 V, 60 Hz: Single Voltage Motor	
Rated Output (HP)	7.5-10 AIR OVER			Full Load Torque	15 LB-FT
Volts	230			Start Configuration	direct on line
Full Load Amps	31-42			Breakdown Torque	36 LB-FT
R.P.M.	3450			Pull-up Torque	20 LB-FT
Hz	60	Phase	1	Locked-rotor Torque	22 LB-FT
NEMA Design Code	L	KVA Code	F	Starting Current	210 A
Service Factor (S.F.)	1			No-load Current	8.4 A
NEMA Nom. Eff.	85	Power Factor	93	Line-line Res. @ 25°C	0.206 Ω A Ph 1.09 Ω B Ph
Rating - Duty	40C AMB-CONT			Temp. Rise @ Rated Load	

Load Characteristics 230 V, 60 Hz, 10 HP

% of Rated Load	25	50	75	100	125	150
Power Factor	82	91	94	95	94	94
Efficiency	71	81.4	84.3	84.6	83.5	81.5
Speed	3573	3549	3522	3492	3457	3414
Line amperes	13.97	21.8	30.8	40.6	51.4	63.8

Performance Graph at 230V, 60Hz, 10.0HP Typical performance - Not guaranteed values





CUSTOMER IS RESPONSIBLE FOR DETERMINING THAT BALDOR'S PRODUCT WILL PERFORM SUITABLY IN THE INTENDED APPLICATION.

REV. DESC: NEW		
REV. LTR: -	VERSION: 00	TDR: 000000527135
FILE: \AAA\00169\407	REVISED: 09:11:00 02/09/2010	
MTL: -	BY: ENERIOO	

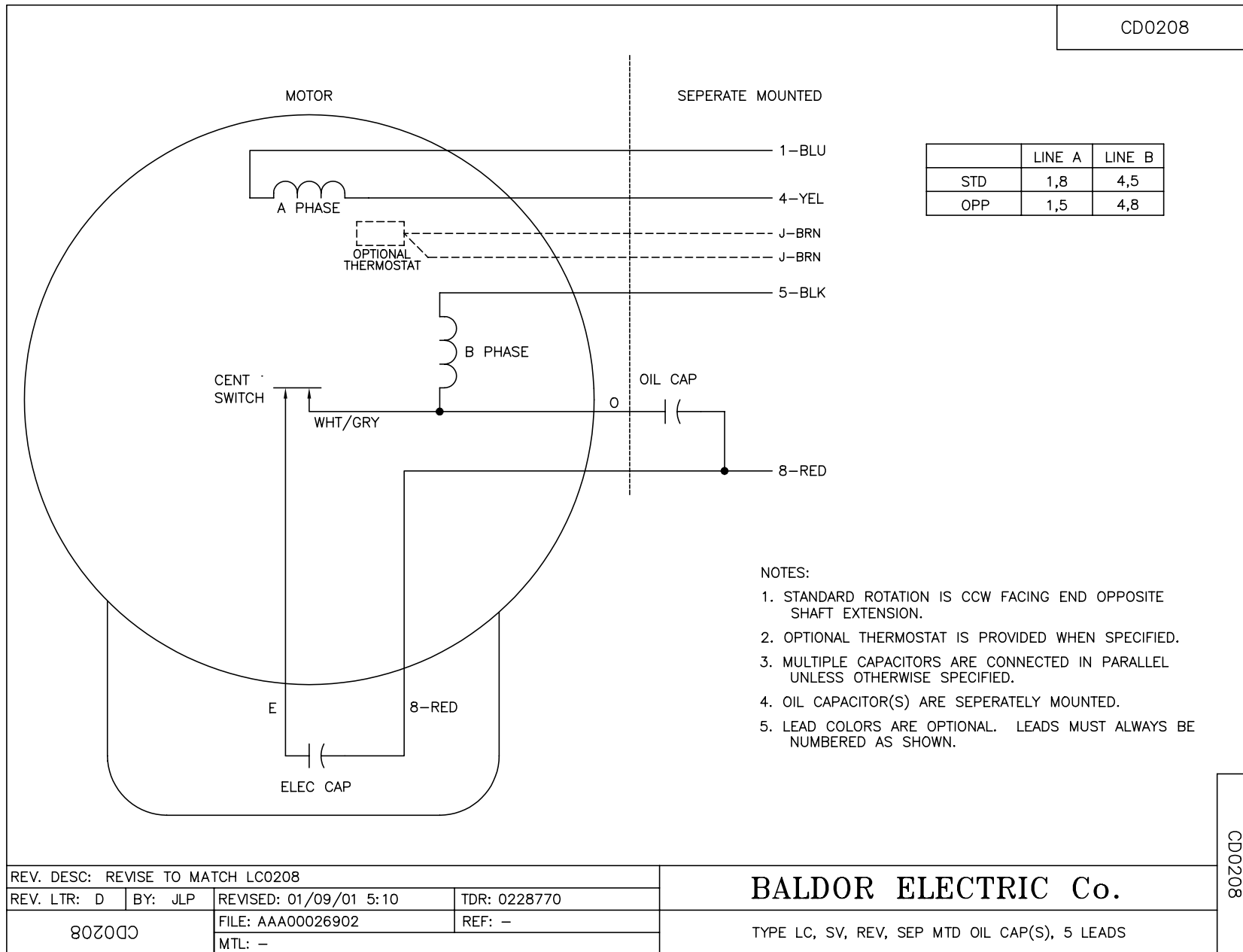
**BALDOR • DODGE • RELIANCE**

HORZ 182-4TZ OPEN 36L-LC (UNIV CROP DRYER), TORQ SWITCH

SH 1 of 1

36LYM939

CD0208



NOTES:

1. STANDARD ROTATION IS CCW FACING END OPPOSITE SHAFT EXTENSION.
2. OPTIONAL THERMOSTAT IS PROVIDED WHEN SPECIFIED.
3. MULTIPLE CAPACITORS ARE CONNECTED IN PARALLEL UNLESS OTHERWISE SPECIFIED.
4. OIL CAPACITOR(S) ARE SEPERATELY MOUNTED.
5. LEAD COLORS ARE OPTIONAL. LEADS MUST ALWAYS BE NUMBERED AS SHOWN.

REV. DESC: REVISE TO MATCH LC0208			
REV. LTR: D	BY: JLP	REVISED: 01/09/01 5:10	TDR: 0228770
80200		FILE: AAA00026902	REF: -
		MTL: -	

**BALDOR ELECTRIC Co.**

TYPE LC, SV, REV, SEP MTD OIL CAP(S), 5 LEADS

CD0208