

# **BALDOR**® • **RELIANCE**

## **Product Information Packet**

# **UCME570**

**5-7.5 AIR OVERHP,3450RPM,3PH,60HZ,184TZ**

Part Detail							
Revision:	H	Status:	PRD/A	Change #:		Proprietary:	No
Type:	AC	Prod. Type:	3628M	Elec. Spec:	36WGY591	CD Diagram:	CD0005
Enclosure:	TEAO	Mfg Plant:		Mech. Spec:	36Q213	Layout:	36LYQ213
Frame:	184TZ	Mounting:	F1	Poles:	02	Created Date:	03-06-2014
Base:	RG	Rotation:	R	Insulation:	F	Eff. Date:	08-22-2016
Leads:	9#16 SEE NOTES Y					Replaced By:	
Literature:		Elec. Diagram:					

Nameplate NP1279L										
CAT.NO.	UCME570									
SPEC.	36Q213Y591G1									
HP	5-7.5 AIR OVER									
VOLTS	230/460									
AMP	18/9									
RPM	3450									
FRAME	184TZ									
				HZ	60			PH	3	
SER.F.	1.00			CODE	K		DES	-	CL	F
NEMA-NOM-EFF				PF						
RATING	40C AMB-CONT									
CC							USABLE AT 208V	19		
DE	6206			ODE	6205					
ENCL	TEAO			SN						

<b>Nameplate NP1263L</b>	
<b>CAT.NO.</b>	UCME570
<b>SPEC.</b>	36Q213Y591G1
<b>HP</b>	5-7.5 AIR OVER
<b>VOLTS</b>	230/460
<b>AMP</b>	18/9
<b>RPM</b>	3450
<b>FRAME</b>	184TZ
<b>HZ</b>	60
<b>PH</b>	3
<b>SER.F.</b>	1.00
<b>CODE</b>	K
<b>DES</b>	-
<b>CL</b>	F
<b>NEMA-NOM-EFF</b>	
<b>PF</b>	
<b>RATING</b>	40C AMB-CONT
<b>CC</b>	
<b>USABLE AT 208V</b>	19
<b>DE</b>	6206
<b>ODE</b>	6205
<b>ENCL</b>	TEAO
<b>SN</b>	

Parts List		
Part Number	Description	Quantity
SA277609	SA 36Q213Y591G1	1.000 EA
RA264159	RA 36Q213Y591G1	1.000 EA
HA6021A01SP	ADAPTOR, MACH	1.000 EA
36GS5000	GASKET CONDUIT ADAPTOR	1.000 EA
51XB1016A07	10-16 X 7/16 HXWSSLD SERTYB	2.000 EA
11XT0832G06	8-32 X 3/8 TY 23 TAPPING	1.000 EA
36EP3104A46	FREP TENV 36L/M 205 BRG NO GRSR, W/GND	1.000 EA
HW5100A05	WVY WSHR F/205 & 304 BRGS	1.000 EA
36PE3100B94	PUEP ASSEMBLY FOR ROUTING PURPOSES	1.000 EA
HW4600B50SP	SEAL 1.156 X 1.874 X 0.250 SINGLE LIP DB	1.000 EA
10XN2520A20	1/4-20X 1 1/4 HEX HD X	2.000 EA
XY2520A12	1/4-20 HEX NUT, DIRECTIONAL SERRATIONS	4.000 EA
HW4600B36SP	V-RING SLINGER 1.188 X 1.690 X .24 VITON	1.000 EA
HW2501E18	KEY, 1/4 SQ X 2.000	1.000 EA
HA7000A02	KEY RETAINER RING, 1 1/8 DIA, 1 3/8 DIA	1.000 EA
85XU0407S04	4X1/4 U DRIVE PIN STAINLESS	2.000 EA
MJ5001A27	32220KN GRAY SEALER *MIN BUY 4 QTS=1GAL	0.010 QT
LD5000A22	LEAD ASSY, ML1400DF14 W/#10 RING TERM	1.000 EA
MJ1000A02	GREASE, POLYREX EM EXXON (USe 4824-15A)	0.050 LB
MG1025C02	WILKOFASST SG, 787.105, TAN	0.022 GA
HA3101A25	THRUBOLT 1/4-20 X 11.000 OHIO ROD	4.000 EA
LB1119N	WARNING LABEL	1.000 EA
LC0145B01	CONNECTION LABEL	1.000 EA
NP1279L	ALUM FARM DUTY UL CSA CC	1.000 EA

<b>Parts List (continued)</b>		
<b>Part Number</b>	<b>Description</b>	<b>Quantity</b>
NP1263L	AUX, GP, ALUM, CC, LASER ETCHED	1.000 EA
36PA1000	PKG GRP, PRINT PK1016A06	1.000 EA
MN416A01	TAG-INSTAL-MAINT no wire (1200/bx) 11/14	1.000 EA

<b>Accessories</b>		
<b>Part Number</b>	<b>Description</b>	<b>Multiplier</b>
36-3301	C FACE KIT	A8
36EP1304A62SP	FLANGE MTD ENDPLATE 182-4TD -ENCL (LESS	A8

**AC Induction Motor Performance Data**

Record # 11424 - Typical performance - not guaranteed values

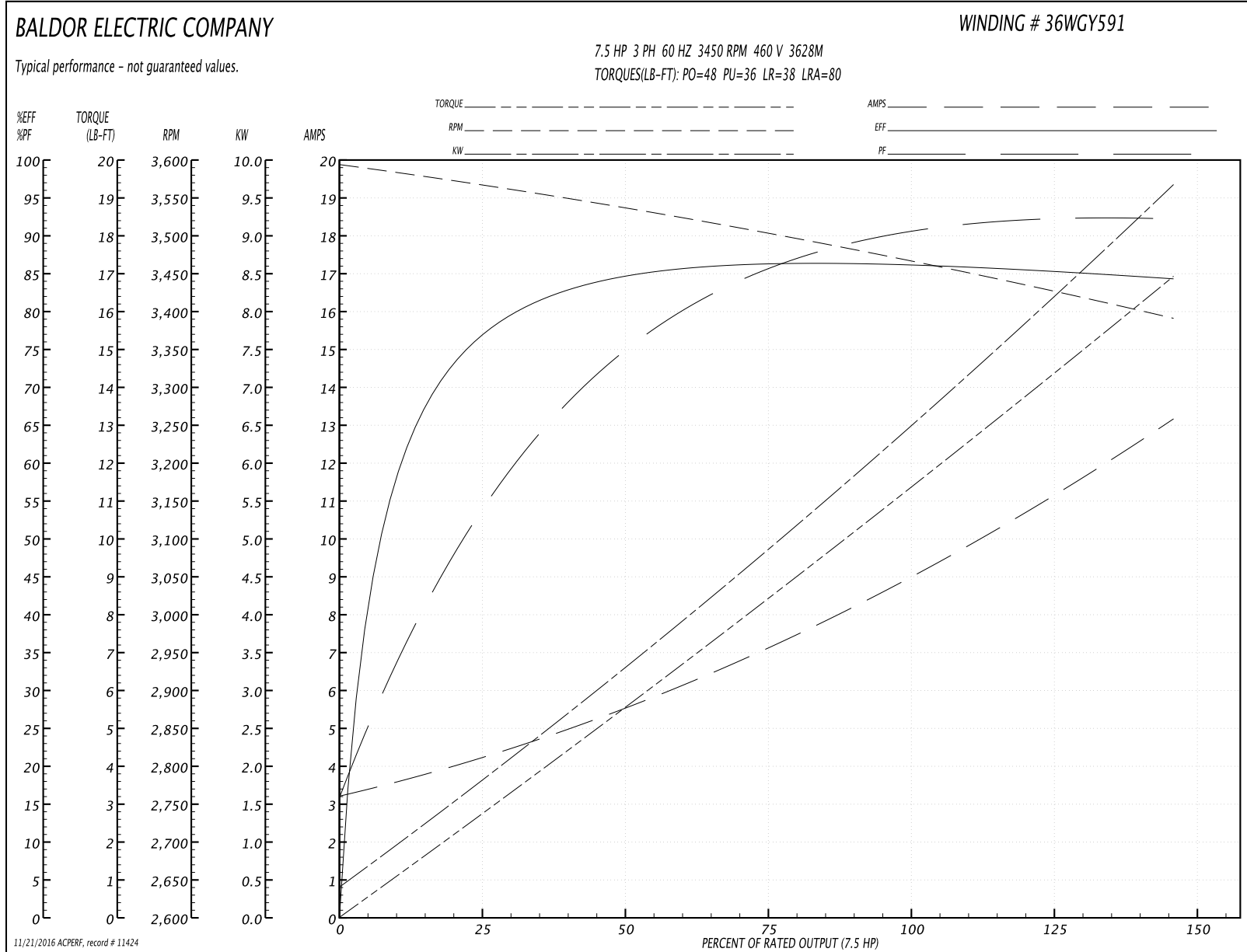
<b>Winding:</b> 36WGY591-R001	<b>Type:</b> 3628M	<b>Enclosure:</b> TEAO
-------------------------------	--------------------	------------------------

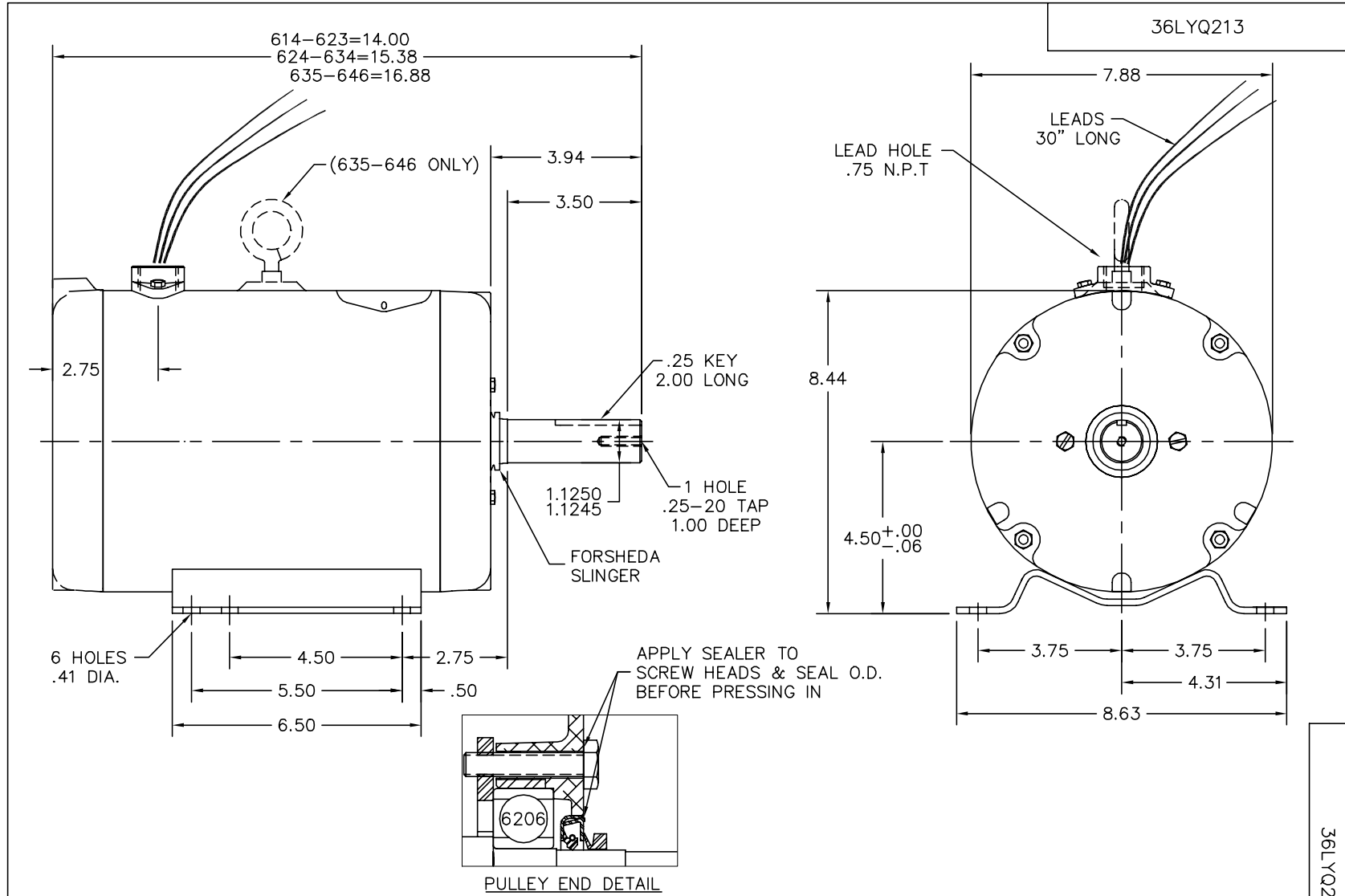
Nameplate Data				460 V, 60 Hz: High Voltage Connection	
Rated Output (HP)	5-7.5 AIR OVER			Full Load Torque	11.3 LB-FT
Volts	230/460			Start Configuration	direct on line
Full Load Amps	18/9			Breakdown Torque	48 LB-FT
R.P.M.	3450			Pull-up Torque	36 LB-FT
Hz	60	Phase	3	Locked-rotor Torque	38 LB-FT
NEMA Design Code	-	KVA Code	K	Starting Current	80 A
Service Factor (S.F.)	1			No-load Current	3.3 A
NEMA Nom. Eff.	0	Power Factor	0	Line-line Res. @ 25°C	1.79 Ω
Rating - Duty	40C AMB-CONT			Temp. Rise @ Rated Load	

Load Characteristics 460 V, 60 Hz, 7.5 HP

% of Rated Load	25	50	75	100	125	150
Power Factor	58	79	87	90	92	93
Efficiency	76.5	84.7	86.4	86.1	85.6	84.2
Speed	3566	3535	3500	3471	3432	3389
Line amperes	4.1	5.5	7.4	8.9	10.9	13.2

Performance Graph at 460V, 60Hz, 7.5HP Typical performance - Not guaranteed values





CUSTOMER IS RESPONSIBLE FOR DETERMINING THAT BALDOR'S PRODUCT WILL PERFORM SUITABLY IN THE INTENDED APPLICATION.

REV. DESC: CHG FREP TO 36EP3104B09		
REV. LTR: B	VERSION: 02	TDR: 000000919753
FILE: \AAA\00207\427	REVISED: 11:15:06 04/24/2015	BY: FGCHAH1
MTL: -		

**BALDOR**

HORZ 182-4TZ TEAO 36M (UNIV CROP DRYER) W/DE SEAL & SLINGER

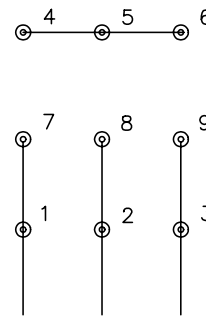
SH 1 of 1

36LYQ213

CD0005

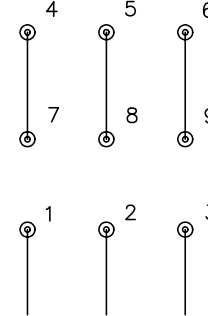


LOW VOLTAGE  
(2Y)



LINE

HIGH VOLTAGE  
(1Y)



LINE

NOTES:

1. INTERCHANGE ANY TWO LINE LEADS TO REVERSE ROTATION.
2. OPTIONAL THERMOSTATS ARE PROVIDED WHEN SPECIFIED.
3. ACTUAL NUMBER OF INTERNAL PARALLEL CIRCUITS MAY BE A MULTIPLE OF THOSE SHOWN ABOVE.
4. LEAD COLORS ARE OPTIONAL. LEADS MUST ALWAYS BE NUMBERED AS SHOWN.

REV. DESC: REVISE TO SHOW OPTIONAL COLORS			
REV. LTR: E	BY: JLP	REVISED: 01/19/99 10:15	TDR: 0171435
900000		FILE: AAA00005140	MDL: -
		MTL: -	

**BALDOR ELECTRIC Co.**

3PH, DV, 9 LEADS

CD0005