

BALDOR® • ***RELIANCE***

Product Information Packet

VHECP3663T

5HP,3490RPM,3PH,60HZ,184,HP,0632M,TEFC,F

Part Detail							
Revision:	R	Status:	PRD/A	Change #:		Proprietary:	No
Type:	AC	Prod. Type:	0632M	Elec. Spec:	06WGW730	CD Diagram:	CD0005
Enclosure:	TEFC	Mfg Plant:		Mech. Spec:	06F448	Layout:	06LYF448
Frame:	184HP	Mounting:	F1	Poles:	02	Created Date:	10-31-2005
Base:	N	Rotation:	R	Insulation:	F	Eff. Date:	09-01-2016
Leads:	9#16					Replaced By:	
Literature:		Elec. Diagram:					

Nameplate NP1260E										
CAT.NO.	VHECP3663T									
SPEC.	06F448W730									
HP	5									
VOLTS	230/460									
AMP	11.4/5.7									
RPM	3490									
FRAME	184HP					HZ	60		PH	3
SER.F.	1.15			CODE	M	DES	A		CL	F
NEMA-NOM-EFF	90.2			PF	90					
RATING	40C AMB-CONT									
CC	010A					USABLE AT 208V	12.5			
DE	6307				ODE	6206				
ENCL	TEFC			SN						

Parts List		
Part Number	Description	Quantity
SA135147	SA 06F448W730	1.000 EA
RA124914	RA 06F448W730	1.000 EA
34FN3002B02	EXTERNAL FAN, PLASTIC, .905/.907 HUB W/	1.000 EA
09CB1501A05G	CONDUIT BOX, 1.00 NPT @6,(GRAY)(AQUA AER	1.000 EA
RM1016	LEAD SEPARATOR GASKET - 305/306 C.P.MOTO	1.000 EA
51XW2520A12	SCREW, HEX SER SLT HD, ZN, 1/4-20 X .75	2.000 EA
WD1000B16	T&B CX70TN TERMINAL	2.000 EA
10XN2520G06	1/4 20X3/8 HX HD CAP, GREEN	2.000 EA
HW1001S25	WASHER, 1/4 SPLT LK, STAINLESS STEEL	2.000 EA
36EP1100A25G	FREP ENCL. 206 BRG.,GRSR,REL,#26 DRAIN(G	1.000 EA
HW4500A32	FIT./EXT 1698-B (ALEMITE)GREASE FITTING	1.000 EA
HW4500A17	317400 ALEMITE GREASE RELIEF	1.000 EA
HW5100A06	W2420-025 WVY WSHR (WB)	1.000 EA
36EP1505A02G	SPL PU E.P. - ENCL.- 307 BRG - NEMA 182L	1.000 EA
HW4500A01	1641B(ALEMITE)400 UNIV, GREASE FITT	1.000 EA
HW4500A17	317400 ALEMITE GREASE RELIEF	1.000 EA
12XN1032S22	10-32 X 1 3/8 SLOT HEX, STAINLESS STEEL	2.000 EA
10XN2520S48	1/4-20 X 3 HEX HEAD SS	2.000 EA
HA3101S46	THRUBOLT- 1/4-20 X 10.00 SS	4.000 EA
51XB1214A16	12-14X1.00 HXWSSLD SERTYB	1.000 EA
06FH1004A26G	FAN HOUSING MACH, W/GREASER AND DRIP CVR	1.000 EA
10XN2520S24	1/4-20X 1 1/2 HEX HD SS	3.000 EA
39FH4500A03G	DRIP COVER, STAMPED (GRAY EPOXY)	1.000 EA
XY3816S12	3/8-16 HEX FINISHED NUT SS	2.000 EA

Parts List (continued)		
Part Number	Description	Quantity
HA3400S09	STUD-3/8-16 X 2.75	4.000 EA
HW1001S38	WASHER, 3/8 SPLT LK, STAINLESS STEEL	6.000 EA
HW3208S01	3/8-16 EYE NUT	2.000 EA
09CB1504A01G	LIPPED CONDUIT BOX LID, MACH GRAY EPOXY	1.000 EA
09GS1001A01	GASKET, BOX LID, 1/8 THICK BLACK NEOPREN	1.000 EA
10XN2520S12	BOLT 1/4 - 20X 3/4 HEX HEAD SS (F/S)	2.000 EA
HW1001S25	WASHER, 1/4 SPLT LK, STAINLESS STEEL	2.000 EA
HW4600B36SP	V-RING SLINGER 1.188 X 1.690 X .24 VITON	1.000 EA
HW4600B56	SEAL 1.250 X 1.770 X 0.240 FACE SEALING	1.000 EA
HW2502E16	#303 SS,SQ KEY 1/4 X 1.750	1.000 EA
HA7000A02	KEY RETAINER RING, 1 1/8 DIA, 1 3/8 DIA	1.000 EA
MJ5001A27	32220KN GRAY SEALER *MIN BUY 4 QTS=1GAL	0.001 QT
MJ5001A14	DYNAPRO SEAL, CP MOTORS VC#2508050 (603	0.001 EA
LB1115N	LABEL,LIFTING DEVICE (ON ROLLS)	1.000 EA
85XU0407S04	4X1/4 U DRIVE PIN STAINLESS	2.000 EA
MJ1000A02	GREASE, POLYREX EM EXXON (USe 4824-15A)	0.050 LB
MG1025N19	WILKOFAS, 778.50, RELIANCE BLUE-GREEN	0.028 GA
LC0005E01	CONN.DIA./WARNING LABEL (LC0005/LB1119N)	1.000 EA
NP1260E	SS CP SUPER-E UL CSA CC	1.000 EA
G0PA1000	PKG GRP, PRINT PK1026A06	1.000 EA
PK3082	STYROFOAM CRADLE	2.000 EA
PK6503	STRUCTURAL WOOD PSC 1X6X8	1.000 EA
MN416A01	TAG-INSTAL-MAINT no wire (1200/bx) 11/14	1.000 EA

AC Induction Motor Performance Data

Record # 35536 - Typical performance - not guaranteed values

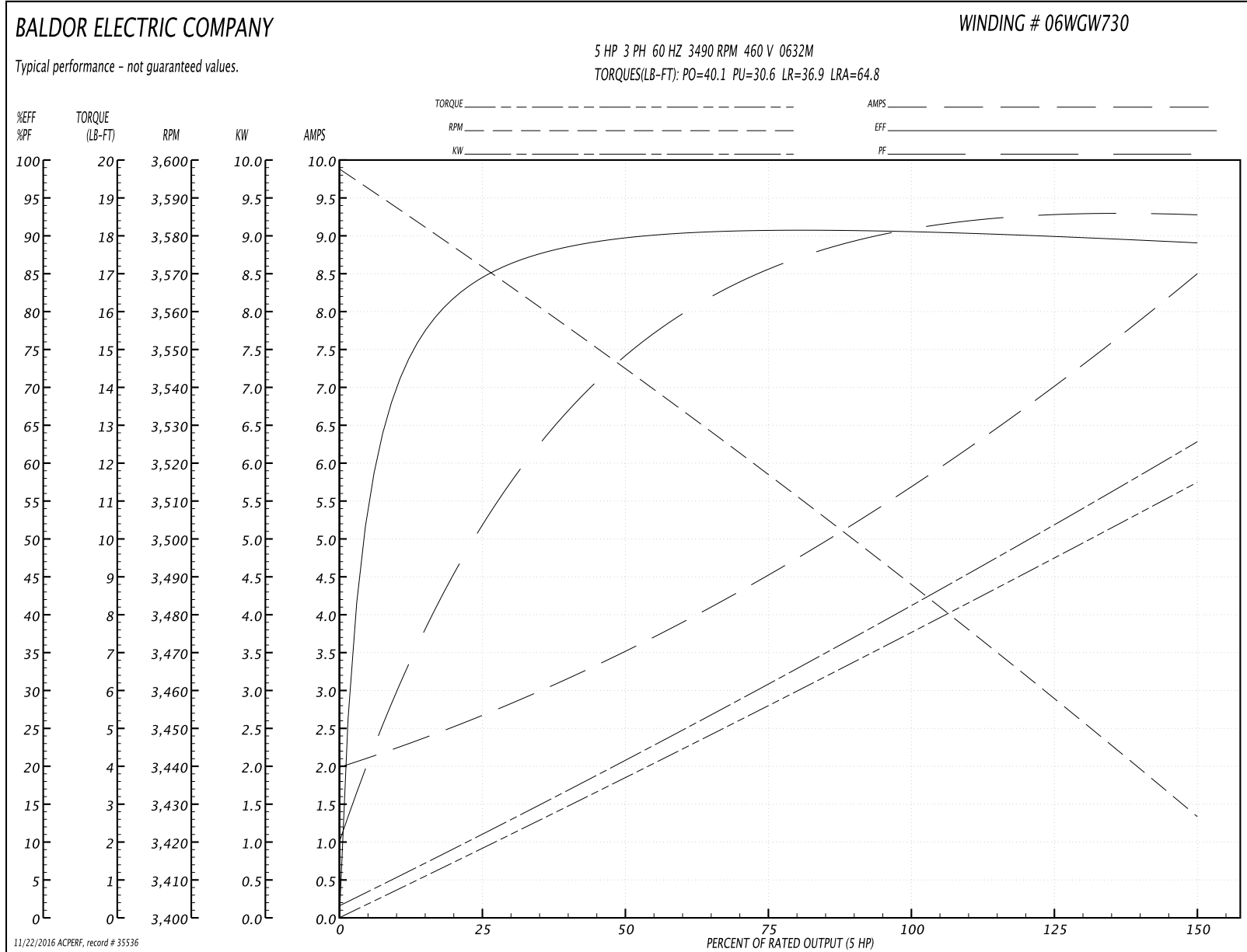
Winding: 06WGW730-R016	Type: 0632M	Enclosure: TEFC
-------------------------------	--------------------	------------------------

Nameplate Data				460 V, 60 Hz: High Voltage Connection	
Rated Output (HP)	5			Full Load Torque	7.54 LB-FT
Volts	230/460			Start Configuration	direct on line
Full Load Amps	11.4/5.7			Breakdown Torque	40.1 LB-FT
R.P.M.	3490			Pull-up Torque	30.6 LB-FT
Hz	60	Phase	3	Locked-rotor Torque	36.9 LB-FT
NEMA Design Code	A	KVA Code	M	Starting Current	64.8 A
Service Factor (S.F.)	1.15			No-load Current	2.08 A
NEMA Nom. Eff.	90.2	Power Factor	90	Line-line Res. @ 25°C	1.93 Ω
Rating - Duty	40C AMB-CONT			Temp. Rise @ Rated Load	51°C
S.F. Amps				Temp. Rise @ S.F. Load	62°C
				Locked-rotor Power Factor	45
				Rotor inertia	0.143 LB-FT ²

Load Characteristics 460 V, 60 Hz, 5 HP

% of Rated Load	25	50	75	100	125	150	S.F.
Power Factor	55	76	85	90	93	93	92
Efficiency	84.5	89.4	90.8	90.6	90	89	90.2
Speed	3570	3544	3517	3489	3458	3426	3470
Line amperes	2.54	3.47	4.6	5.76	7.03	8.46	6.52

Performance Graph at 460V, 60Hz, 5.0HP Typical performance - Not guaranteed values



AC Induction Motor Performance Data

Record # 51599 - Typical performance - not guaranteed values

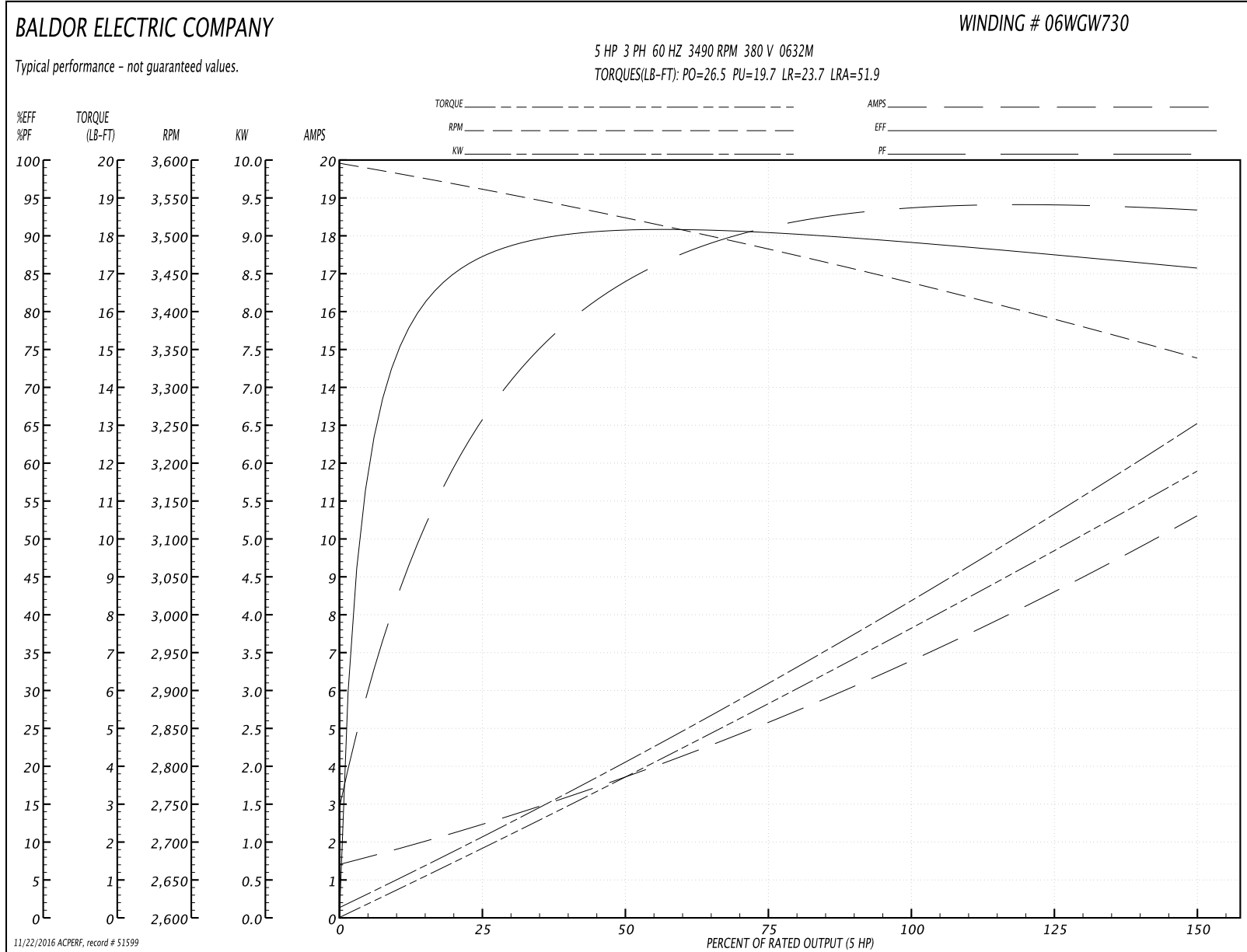
Winding: 06WGW730-R016	Type: 0632M	Enclosure: TEFC
-------------------------------	--------------------	------------------------

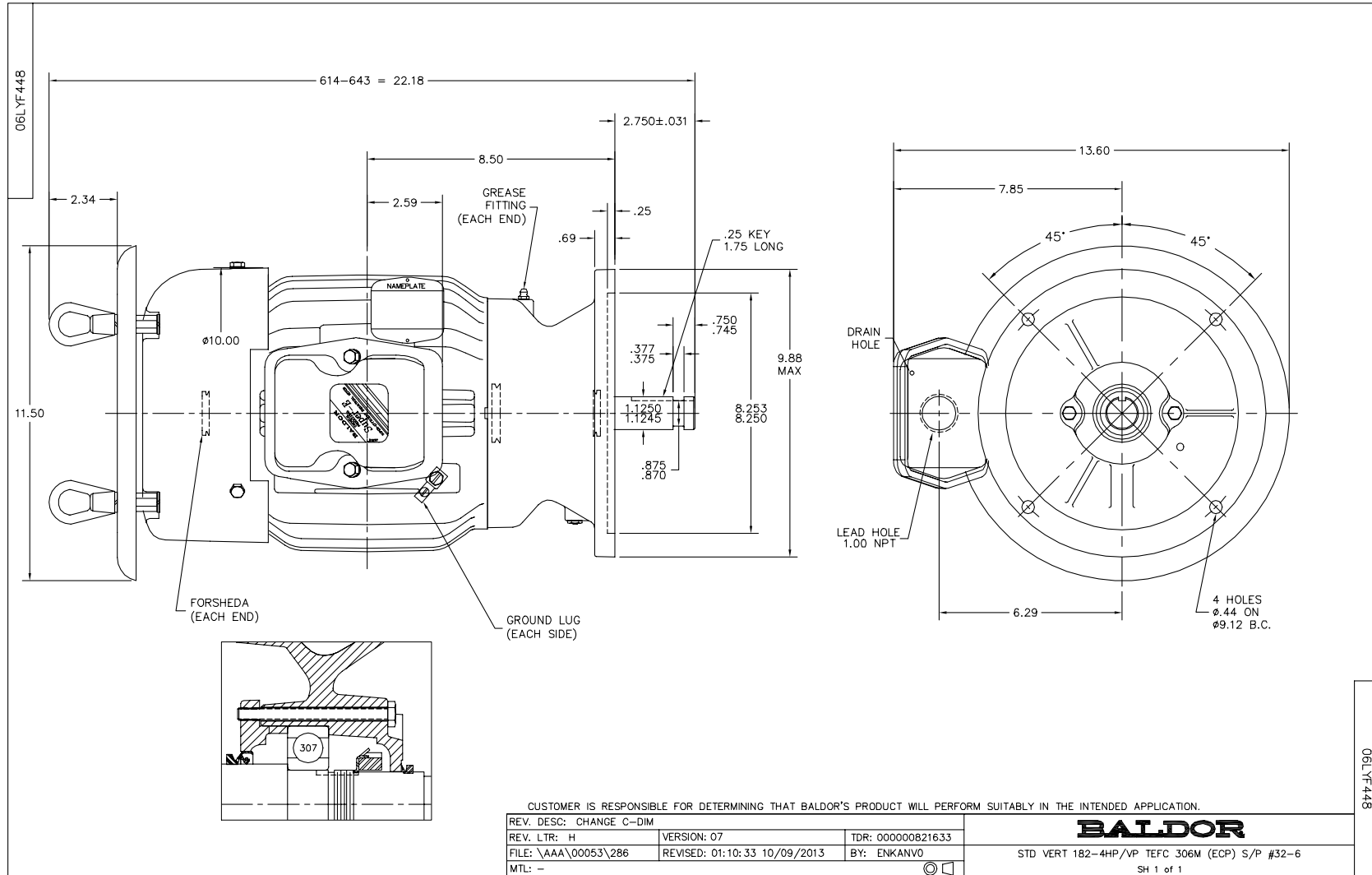
Nameplate Data				380 V, 60 Hz: High Voltage Connection	
Rated Output (HP)	5			Full Load Torque	7.65 LB-FT
Volts	230/460			Start Configuration	direct on line
Full Load Amps	11.4/5.7			Breakdown Torque	26.5 LB-FT
R.P.M.	3490			Pull-up Torque	19.7 LB-FT
Hz	60	Phase	3	Locked-rotor Torque	23.7 LB-FT
NEMA Design Code	A	KVA Code	M	Starting Current	51.9 A
Service Factor (S.F.)	1.15			No-load Current	1.49 A
NEMA Nom. Eff.	90.2	Power Factor	90	Line-line Res. @ 25°C	2.04 Ω
Rating - Duty	40C AMB-CONT			Temp. Rise @ Rated Load	60°C
S.F. Amps				Temp. Rise @ S.F. Load	77°C
				Locked-rotor Power Factor	43.2
				Rotor inertia	0.143 LB-FT ²

Load Characteristics 380 V, 60 Hz, 5 HP

% of Rated Load	25	50	75	100	125	150	S.F.
Power Factor	70	85	90	93	94	94	94
Efficiency	87	90.2	90.4	89.3	87.7	85.6	88.3
Speed	3559	3522	3482	3440	3391	3337	3411
Line amperes	2.33	3.7	5.26	6.84	8.58	10.6	7.88

Performance Graph at 380V, 60Hz, 5.0HP Typical performance - Not guaranteed values

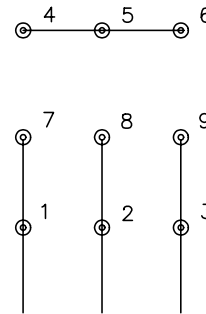




CD0005

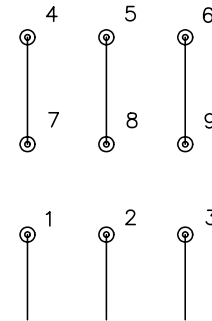


LOW VOLTAGE
(2Y)



LINE

HIGH VOLTAGE
(1Y)



LINE

NOTES:

1. INTERCHANGE ANY TWO LINE LEADS TO REVERSE ROTATION.
2. OPTIONAL THERMOSTATS ARE PROVIDED WHEN SPECIFIED.
3. ACTUAL NUMBER OF INTERNAL PARALLEL CIRCUITS MAY BE A MULTIPLE OF THOSE SHOWN ABOVE.
4. LEAD COLORS ARE OPTIONAL. LEADS MUST ALWAYS BE NUMBERED AS SHOWN.

REV. DESC: REVISE TO SHOW OPTIONAL COLORS

REV. LTR: E BY: JLP

REVISED: 01/19/99 10:15

TDR: 0171435

9000D

FILE: AAA00005140

MDL: -

MTL: -

BALDOR ELECTRIC Co.

3PH, DV, 9 LEADS

CD0005