

BALDOR® • ***RELIANCE***

Product Information Packet

VSSWDM3457

.33HP,3450RPM,3PH,60HZ,56C,3513M,TENV,F1

Part Detail							
Revision:	G	Status:	PRD/A	Change #:		Proprietary:	No
Type:	AC	Prod. Type:	3513M	Elec. Spec:	35WG5766	CD Diagram:	CD0005
Enclosure:	TENV	Mfg Plant:		Mech. Spec:	35V824	Layout:	35LYV824
Frame:	56C	Mounting:	F1	Poles:	02	Created Date:	12-18-2013
Base:	N	Rotation:	R	Insulation:	F	Eff. Date:	11-04-2016
Leads:	9#18					Replaced By:	
Literature:		Elec. Diagram:					

Nameplate NP1951A01										
CAT.NO.	VSSWDM3457									
SPEC.	35V824-5766G1									
HP	.33									
VOLTS	208-230/460									
AMP	1.2-1.1/.55									
RPM	3450									
FRAME	56C				HZ	60			PH	3
SER.F.	1.15			CODE	J	DES	B		CLASS	F
NEMA-NOM-EFF	74				PF	80				
RATING	40C AMB-CONT									
CC	USABLE AT 208V 1.3									
DE	6205				ODE	6203				
ENCL	TENV	SN								
	SFA 1.3-1.2/.6									

Parts List		
Part Number	Description	Quantity
SA274114	SA 35V824-5766G1	1.000 EA
RA260702	RA 35V824-5766G1	1.000 EA
NS2512A01	INSULATOR, CONDUIT BOX X	1.000 EA
35CB1004A01	15 CB W/.50 NPT @ 6 & #8-32 LID HOLES (S	1.000 EA
35GS1041	35 MOLDED GASKET W/LIP, 1.12 LEAD HOLE,	1.000 EA
51XN1032A07	10-32 X 0.438 HX WS SL SR ZN	2.000 EA
HA5027A02	HA4054 T-DRAIN X2 BAGGED WITH LABEL	1.000 EA
11XW1032G06	10-32 X .38, TAPTITE II, HEX WSHR SLTD U	1.000 EA
HW3001B01	BRASS CUP WASHER, FOR #8 SCREW	1.000 EA
35EP1913A01	FRONT TENV 203 BRG NO GR SR S/P 9-2 (STAI	1.000 EA
HW4500A33	1/8 NPT STAINLESS,HOLO-KROME #13002,PRES	3.000 EA
HW5100A03SP	WAVY WASHER (W1543-017)	1.000 EA
35EP1914A02	PU EP FOR LOCKED 6205 BRG	1.000 EA
HW4500A33	1/8 NPT STAINLESS,HOLO-KROME #13002,PRES	3.000 EA
HW4606A02	JM CLIPPER/SEAL (LWE-0938-1624-AL23)	1.000 EA
12XN1032S22	10-32 X 1 3/8 SLOT HEX, STAINLESS STEEL	2.000 EA
HA1049A01	DUBO LOK WASHER SIZE 10 (NYLON LOCK SEAL	2.000 EA
HA1049A01	DUBO LOK WASHER SIZE 10 (NYLON LOCK SEAL	4.000 EA
HW2502D13	SS KEY, 3/16 SQ X 1.375	1.000 EA
HA7000A04	KEY RETAINER 0.625 DIA SHAFTS	1.000 EA
35CB4515	35 CB LID #304 STAINLESS STEEL	1.000 EA
36GS3008SP	WHITE NEOPREME KO BOX LID GASKET	1.000 EA
59XN0832S07	8/32 X 7/16 HX WS HD SER X	4.000 EA
MJ5001A02	732 CL SEALANT 3 OZ DIXIE BEARING 289100	0.001 EA

Parts List (continued)		
Part Number	Description	Quantity
MJ1000A02	GREASE, POLYREX EM EXXON (USe 4824-15A)	0.050 LB
MG1500Y02	PRIMER,347.29+347.29C ACTIVATOR WILKOPON	0.022 GA
HA3100S45	THRU BOLT HEX-HEAD 7.95 10-32	4.000 EA
MN416A01	TAG-INSTAL-MAINT no wire (1200/bx) 11/14	1.000 EA
35PA1066	PKG GRP, PRINT PK1008A06	1.000 EA
PK3083T	STYROFOAM PACKING CRADLE W/TAPE	1.000 EA

AC Induction Motor Performance Data

Record # 44209 - Typical performance - not guaranteed values

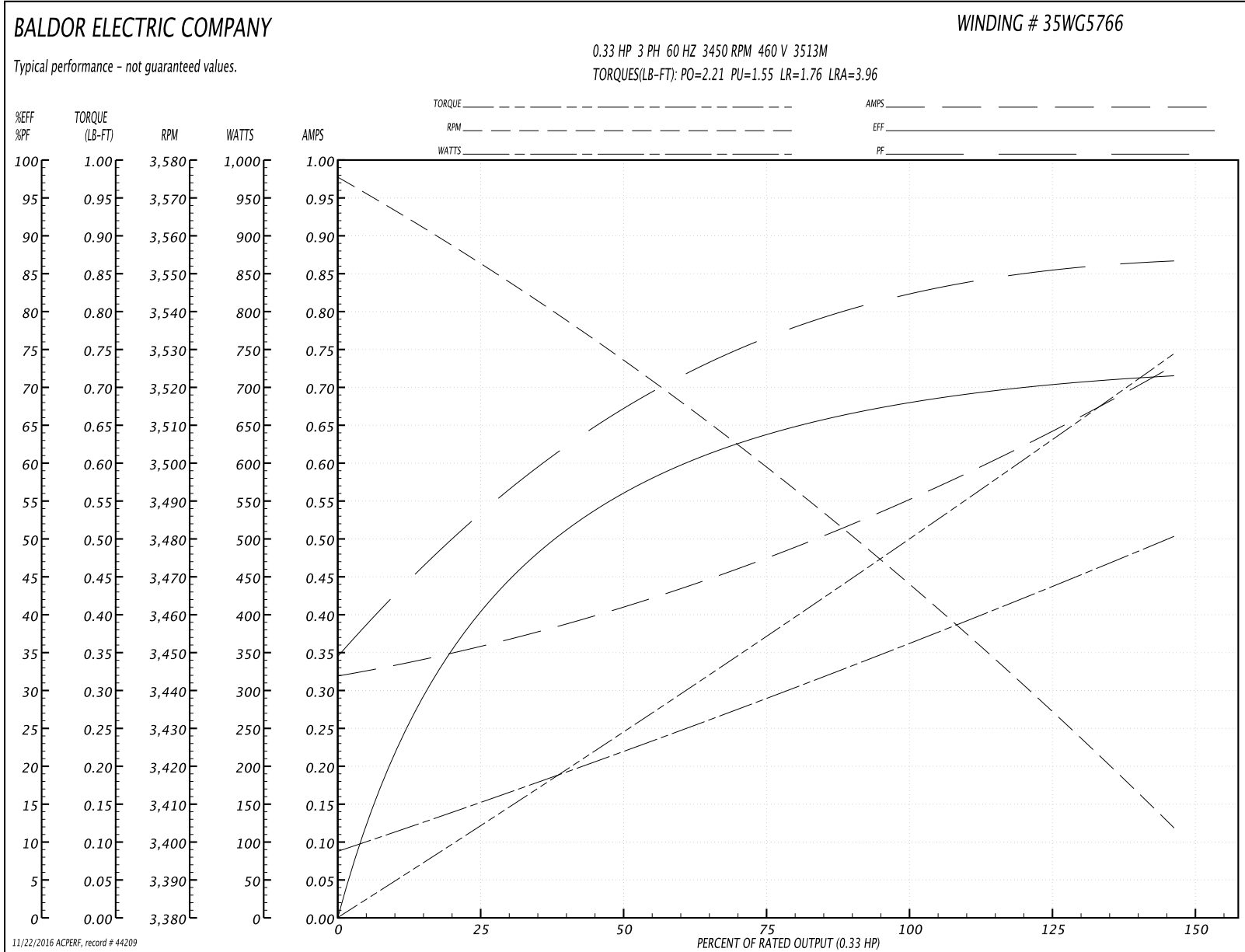
Winding: 35WG5766-R002	Type: 3513M	Enclosure: TENV
-------------------------------	--------------------	------------------------

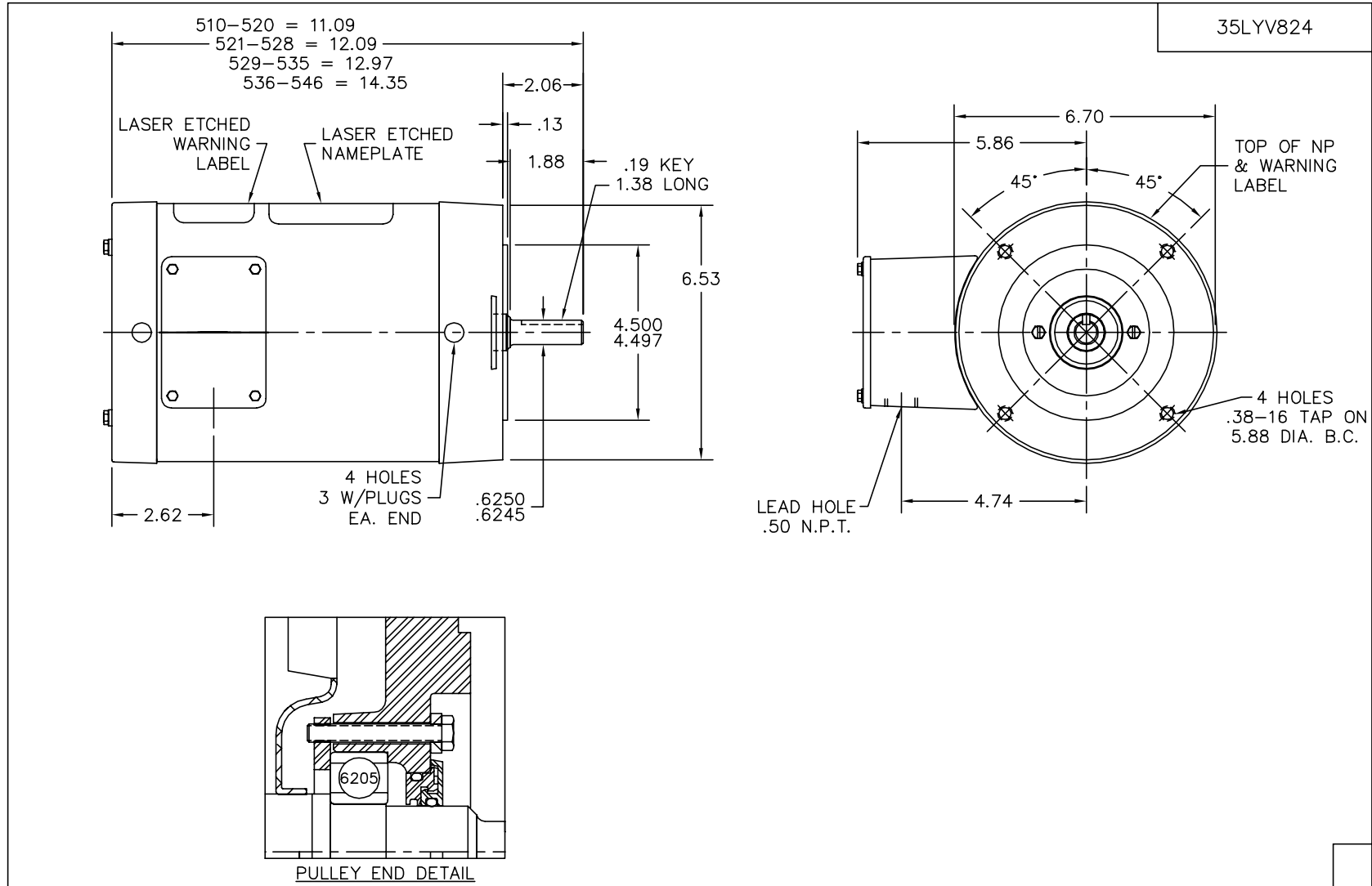
Nameplate Data				460 V, 60 Hz: High Voltage Connection	
Rated Output (HP)	.33			Full Load Torque	0.496 LB-FT
Volts	208-230/460			Start Configuration	direct on line
Full Load Amps	1.2-1.1/.55			Breakdown Torque	2.21 LB-FT
R.P.M.	3450			Pull-up Torque	1.55 LB-FT
Hz	60	Phase	3	Locked-rotor Torque	1.76 LB-FT
NEMA Design Code	B	KVA Code	J	Starting Current	3.96 A
Service Factor (S.F.)	1.15			No-load Current	0.321 A
NEMA Nom. Eff.	74	Power Factor	80	Line-line Res. @ 25°C	46.3 Ω
Rating - Duty	40C AMB-CONT			Temp. Rise @ Rated Load	38°C
S.F. Amps	1.3-1.2/.6			Temp. Rise @ S.F. Load	47°C
				Locked-rotor Power Factor	67
				Rotor inertia	0.036 LB-FT ²

Load Characteristics 460 V, 60 Hz, 0.33 HP

% of Rated Load	25	50	75	100	125	150	S.F.
Power Factor	54	68	76	82	85	87	84
Efficiency	40.3	56.2	63.9	67.9	70.4	71.5	69.4
Speed	3552	3526	3499	3469	3438	3403	3450
Line amperes	0.356	0.41	0.476	0.552	0.635	0.728	0.602

Performance Graph at 460V, 60Hz, 0.33HP Typical performance - Not guaranteed values





CUSTOMER IS RESPONSIBLE FOR DETERMINING THAT MOTOR PERFORMANCE IS SUITABLE IN THE APPLICATION.

REV. DESC: ADD KOBX LOCATION DIMENSION

REV. LTR: A	VERSION: 01	TDR: 000000450943
4Z8VY824	FILE: \AAA\00137\898	REVISED: 06:24:20 12/07/2007
	MTL: -	BY: ENCHECO

Baldor • Dodge • Reliance

VERT 56C TENV 35M WD4 W/LOCKED PU BRG & LASER ETCHED BAND

35LYV824

CD0005

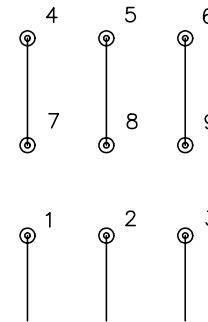


LOW VOLTAGE
(2Y)



LINE

HIGH VOLTAGE
(1Y)



LINE

NOTES:

1. INTERCHANGE ANY TWO LINE LEADS TO REVERSE ROTATION.
2. OPTIONAL THERMOSTATS ARE PROVIDED WHEN SPECIFIED.
3. ACTUAL NUMBER OF INTERNAL PARALLEL CIRCUITS MAY BE A MULTIPLE OF THOSE SHOWN ABOVE.
4. LEAD COLORS ARE OPTIONAL. LEADS MUST ALWAYS BE NUMBERED AS SHOWN.

REV. DESC: REVISE TO SHOW OPTIONAL COLORS			
REV. LTR: E	BY: JLP	REVISED: 01/19/99 10:15	TDR: 0171435
90000		FILE: AAA00005140	MDL: -
		MTL: -	

BALDOR ELECTRIC Co.

3PH, DV, 9 LEADS

CD0005