

BALDOR® • **RELIANCE**

Product Information Packet

ZDBRPM321254

125HP, 1750RPM, 3PH, 60HZ, L3203, TEBC, FOOT

| Part Detail | | | | | | | |
|-------------|-------|----------------|-------|-------------|--------|---------------|------------|
| Revision: | - | Status: | PRD/A | Change #: | | Proprietary: | No |
| Type: | AC | Prod. Type: | | Elec. Spec: | L1656A | CD Diagram: | 422927-001 |
| Enclosure: | TEBC | Mfg Plant: | | Mech. Spec: | | Layout: | 616763-001 |
| Frame: | L3203 | Mounting: | F3 | Poles: | 04 | Created Date: | 04-10-2015 |
| Base: | | Rotation: | R | Insulation: | H | Eff. Date: | 04-13-2015 |
| Leads: | | | | | | Replaced By: | |
| Literature: | | Elec. Diagram: | | | | | |

| | | DUTY | HP | RPM | AMPS | VOLTS | HZ | | |
|------------|--------------|------|-----|----------------|------|-------|-----|-------------|------------|
| | CONT | | 125 | 1780 | 150 | 460 | 60 | | |
| | CONT | | 125 | 3560 | 141 | 460 | 120 | | |
| | | | | | | | | | |
| | | | | | | | | | |
| CAT.NO. | ZDBRPM321254 | | | | | | | SPEC. NO. | P32L0273 |
| SER.NO. | | | | | | | | FR | L 3203 |
| PH. | 3 | | | MAX SAFE SPEED | 4000 | | | INSUL | H |
| DESIGN NO. | L1656A | | | | | | | AMB. | 40 |
| S.F. | 1.0 | | | | | | | ENCL. | TEAO-BC |
| ENCL MOD | | | | | | | | D.E. BRG. | 85BC02J30X |
| | | | | | | | | O.D.E. BRG. | 65BC02J30X |
| | | | | | | | | | |
| | | | | | | | | MIN. AMB. | 0 |

| Parts List | | |
|--------------|-------------------------------|----------|
| Part Number | Description | Quantity |
| WS286657 | WS P32L0273 | 1.000 EA |
| RA282865 | RA P32L0273 | 1.000 EA |
| 000613006NS | RPM AC WITH CERTIFIED LOGO | 1.000 EA |
| 000692000FP | NP, WARNING LIFT INSTRUCTIONS | 1.000 EA |
| 000692000NH | LABEL DIRECTION AIR FL | 1.000 EA |
| 000692000VD | LABEL WARNING | 1.000 EA |
| 036170004EA | ROUND HEAD DRIVE SCREW | 4.000 EA |
| 418056062B | NP AC BLOWER DATA | 1.000 EA |
| 422927001 | C/D LABEL | 1.000 EA |
| 034693001AB | PPLG - G508- use 034692001AB | 1.000 EA |
| 034693001AB | PPLG - G508- use 034692001AB | 1.000 EA |
| 035000001A | ALFTG 1/8" 1610-BL | 1.000 EA |
| 035000001BC | ALFTG 1/8" 1613-B - 280 | 1.000 EA |
| 036000100KB | HHCS,ODE CAP | 3.000 EA |
| 036100070JA | HSHCS M8 70MM UNPLATED | 3.000 EA |
| 036140001D | EYEBOLT - 360 | 2.000 EA |
| 036500013AB | HX NUT,ODE BRKT | 4.000 EA |
| 036500013AB | HX NUT,ODE BRKT | 4.000 EA |
| 048977006B | GRFTG - XP | 1.000 EA |
| 400638001AF | WWSHR OS-H-KK-2 | 1.000 EA |
| 418150003A | GREASE FITTING CAP | 2.000 EA |
| 609830005ABX | THRUBOLT 24.25 | 4.000 EA |
| 807520002A | BRKT,ODE,L320 | 1.000 EA |
| 807521002A | BRKT,DE,L320 | 1.000 EA |

| Parts List (continued) | | |
|------------------------|---|----------|
| Part Number | Description | Quantity |
| 033004018AB | THDRD | 1.000 EA |
| 033102012AB | NUT 1/4-20 PLATED | 3.000 EA |
| 034000012AB | WSHR 1/4 STD. PLATED | 4.000 EA |
| 034000014AB | WSH ID.406 OD.812 TH.065 | 4.000 EA |
| 036000012HB | HHCS M6X12MM LONG PLATED | 4.000 EA |
| 036000016JB | HHCS M8-1.25X16MMPLTD-250 | 4.000 EA |
| 036000020JB | HHCS M8-1.25X20L PLTD-250 | 4.000 EA |
| 036310010FB | RHMS TERM/BLK MTG | 2.000 EA |
| 036320008CB | M2.5 SCREW | 4.000 EA |
| 036320012FB | CTSKHMS | 4.000 EA |
| 036500006AB | M4-0.7 METRIC HEX NUT | 2.000 EA |
| 036600009AB | METRIC FLWASH M8 PLATED | 4.000 EA |
| 036610009AB | MHSLW M8 SPL.PLTD-G508- BS | 4.000 EA |
| 036620009AB | M8 EXTERNAL LK WASHER | 1.000 EA |
| 074875000A | CONDUIT BOX COVER | 1.000 EA |
| 402731000A | GASK 320-400 | 1.000 EA |
| 412043012A | PLUG | 1.000 EA |
| 417733004D | GASKET CONDUIT BOX | 1.000 EA |
| 418018074A | GROUND LABEL G100 METRIC 160 D.C. | 1.000 EA |
| 418025002A | I/ REDUCER E-Z-LOK 319-4-Comes in 10pkg | 1.000 EA |
| 418057169A | LKNUT CAMER | 1.000 EA |
| 418057499A | PLATE | 1.000 EA |
| 422962126A | STUB SHAFT - 742501000 | 1.000 EA |
| 607980192B | RF,BEI,HS35,TWISTLOCK | 1.000 EA |

Product Information Packet: ZDBRPM321254 - 125HP, 1750RPM,3PH,60HZ,L3203,TEBC,FOOT

| | | |
|-------------|---------------------------------------|----------|
| 417077-141 | BLWR MTR | 1.000 EA |
| 706320009A | CB, 2.00 CONDUIT, METRIC, SHEET METAL | 1.000 EA |
| 804814017A | FNCVR 804814017AUP | 1.000 EA |
| 000640000P | TAG WINDING THERMOST | 1.000 EA |
| 034180034JA | 3/4X3/4 X 41/4 L KEY | 1.000 EA |

REL. S.O. - VOLTS 460 ENCLOSURE TEBC WYE CONN EQ CKT OHMS PER PHASE
 FRAME I3203 AMPS 150 MAX SAFE RPM 4000 (AT BASE RATING, 25 °C)
 HP 125 DUTY CONT 1M (AMPS) 67 R1 .0169 X1 .126
 BASE SPEED 1780 S.F. 1.0 P.F.@NL/FL .037/.84 R2 .0140 X2 .165
 PHASE/HERTZ 3/60 AMB °C/INSUL 40/H Wk² (Lb-FT²) 21.3 XM 3.97

RATED FULL LOAD DATA

| | RPM | HP | TORQUE LB-FT | FUND VOLTS | FREQ-HZ | AMPS |
|------------|------|-----|-----------------|---------------|---------|------|
| BASE SPEED | 1782 | 125 | 368 | 460 | 60 | 150 |
| MAX SPEED | 3562 | 125 | 184 | 460 | 120 | 141 |
| MIN SPEED | 0 | 0 | 0 | 7.60 | .587 | 150 |


LOAD PERFORMANCE AT BASE SPEED

| | RPM | HP | TORQUE LB-FT | FUND VOLTS | FREQ-HZ | AMPS |
|-----------|------|------|-----------------|---------------|---------|------|
| NO LOAD | 1800 | 0 | 0 | 460 | 60 | 65.2 |
| 1/4 | 1796 | 31.3 | 91 | 460 | 60 | 74.9 |
| 1/2 | 1791 | 62.5 | 183 | 460 | 60 | 94.7 |
| 3/4 | 1787 | 93.7 | 275 | 460 | 60 | 121 |
| FULL LOAD | 1782 | 125 | 368 | 460 | 60 | 150 |
| O/L | 1773 | 187 | 553 | 460 | 60 | 213 |

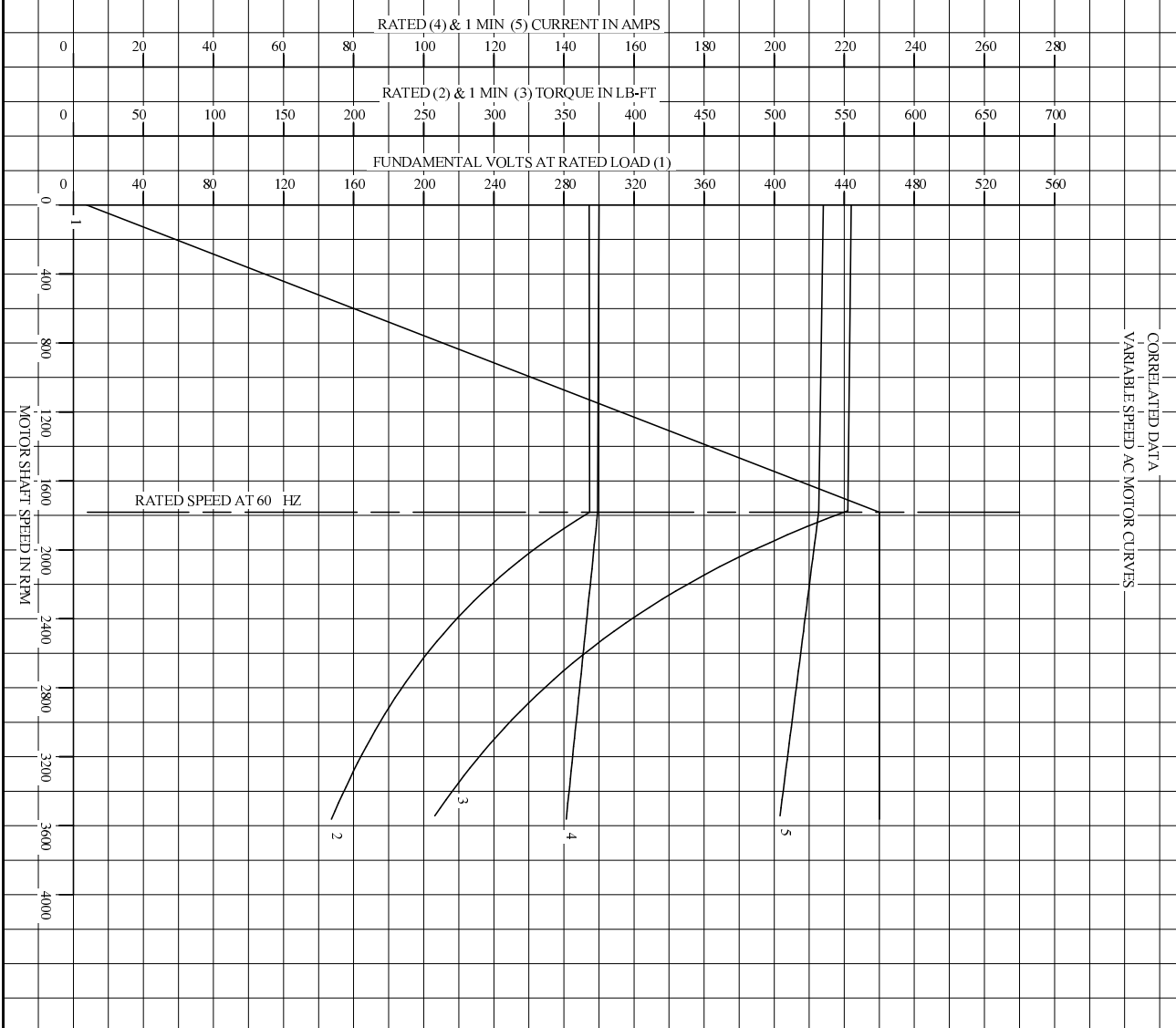
BLOWER DATA

| VOLTS | PH/HZ | FL AMPS | LR AMPS | FRAME | CFM |
|-------|-------|---------|---------|-------|-----|
| | | | | | |

REMARKS: TYPICAL DATA
CORRELATED DATA

| | | |
|---|--|---|
|  | DR. BY _____ M. ORDERS | A-C MOTOR PERFORMANCE DATA L11656A ISSUE DATE 12/20/99 |
| | CK. BY _____ B. GRANT | |
| | APP. BY _____ T. EVON DATE 12/20/99 | |

| | | | | | | |
|-------------|-------|---------------------------|------|---------------------------------------|----------|--------------------------------|
| REL. S.O. | - | VOLTS | 460 | ENCLOSURE | TEBC | WYE CONN EQ CKT OHMS PER PHASE |
| FRAME | I3203 | AMPS | 150 | MAX SAFE RPM | 4000 | (AT BASE RATING, 25°C) |
| HP | 125 | DUTY | CONT | IM (AMPS) | 67 | R1 .0169 X1 .126 |
| BASE SPEED | 1780 | S.F. | 1.0 | P.F.@NL/FL | .037/.84 | R2 .0140 X2 .165 |
| PHASE/HERTZ | 3/60 | AMB C _i /INSUL | 40/H | WK ² (LB-FT ²) | 21.3 | XM 3.97 |



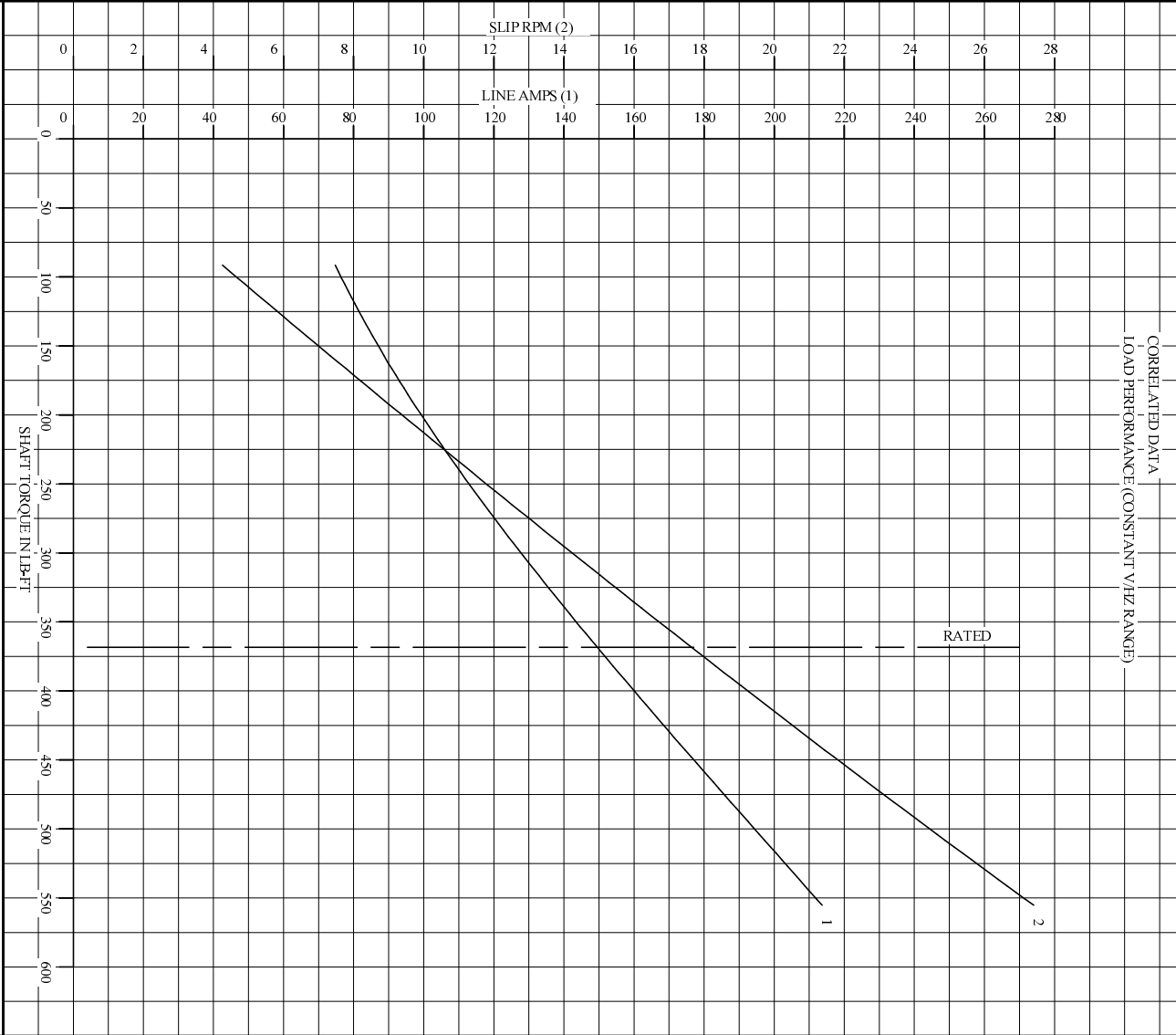
REMARKS: TYPICAL DATA
 DATA VALID FOR NAMEPLATE SPEED RANGE ONLY

A-C MOTOR
PERFORMANCE
CURVES

| | |
|---------|-----------|
| DR. BY | M. GRUBBS |
| CK. BY | B. GRANT |
| APP. BY | T. EVON |
| DATE | 12/20/99 |

L1656A
 SH1 OF 2
 ISSUE DATE 12/20/99

| | | | | | | |
|-------------|-------|-------------|------|---------------------------------------|----------|---------------------------------|
| REL S.O. | - | VOLTS | 460 | ENCLOSURE | TEBC | WYE CONN EQ CKT OHMS PER PHASE |
| FRAME | I3203 | AMPS | 150 | MAX SAFE RPM | 4000 | (AT BASE RATING, 25°C) |
| HP | 125 | DUTY | CONT | IM (AMPS) | 67 | X1 .126 |
| BASE SPEED | 1780 | S.F. | 1.0 | P.F.@NL/FL | .037/.84 | R1 .0169 R2 .0140 X2 .165 |
| PHASE/HERTZ | 3/60 | AMB C/INSUL | 40/H | WK ² (LB-FT ²) | 21.3 | XM 3.97 |



REMARKS: TYPICAL DATA
DATA VALID FOR NAMEPLATE SPEED RANGE ONLY

| | | | | |
|------------------------------|---------|-----------|---|---|
| BALDOR • DOUG • RELIANCE | DR. BY | M. ORDERS | A-C MOTOR PERFORMANCE CURVES | LI656A SH20F2 ISSUE DATE 12/20/99 |
| | CK. BY | B. GRANT | | |
| | APP. BY | T. EVON | | |
| | DATE | 12/20/99 | | |

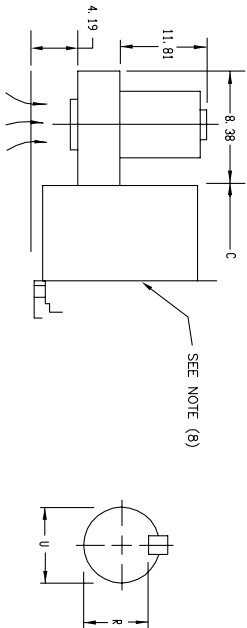
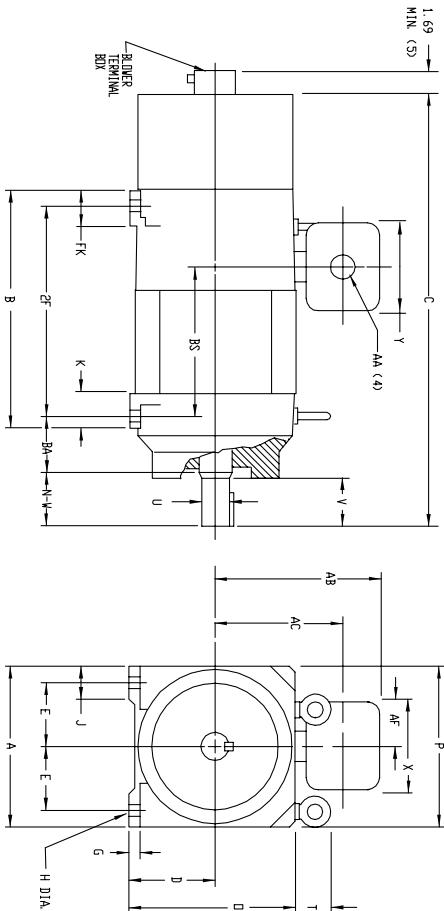
616763-001

**VARIABLE SPEED ALTERNATING CURRENT MOTORS
RPM AC**

ENCLOSURE: TOTALLY ENCLOSED
MOUNTING: FOOT
DRIVE METHOD: COUPLED OR BELTED

FRAMES L3203Z THRU UL3213Z

COOLING: BLOWER COOLED
AIR-OVER INLINE
PROVISIONS FOR
TACHOMETER MOUNTING
ONLY WHEN SPECIFIED



DIMENSIONS ARE IN INCHES

| FRAME | A | DK(1) | E | G | H | J | D | P | T | BA | K | FK |
|---------------------|-------|-------|------|-----|-----|------|-------|-------|------|------|------|------|
| L3203Z THRU UL3213Z | 15.50 | 8.00 | 6.25 | .88 | .69 | 3.00 | 15.81 | 15.62 | 3.06 | 5.25 | 3.25 | 8.00 |

| FRAME | C (6) | B | BS | ZF | DRIVE END SHAFT AND KEY | | | | WT. LBS. | | |
|-----------|-------|-------|-------|-------|-------------------------|-------|------|-------|-------------|------|-------|
| | | | | | N-M | U(2) | V | R(3) | | SQ | LGTH. |
| UL&L3203Z | 44.25 | 27.75 | 20.94 | 25.75 | 5.75 | 2.875 | 5.50 | 2.450 | .750 | 4.25 | 1170 |
| UL&L3213Z | 46.75 | 30.25 | 23.44 | 28.25 | 5.75 | 2.875 | 5.50 | 2.450 | .750 | 4.25 | 1310 |

- (1) *D* DIMENSION WILL NOT BE EXCEEDED, SHIMS UP TO .03 INCHES IN THICKNESS
- (2) ARE USUALLY REQUIRED FOR COUPLED OR GEARED MACHINES.
- (3) UP VARIES -- +.000 - .001
- (4) FC VARIES -- +.000 - .015
- (5) FOR TERMINAL BOX DIMENSIONS *AA*, *AP*, *AR*, *AS*, *AT*, *AV*, *AW*, *AX*, *AY*, *AZ*, *BA*, *BB*, *BC*, *BD*, *BE*, *BF*, *BG*, *BH*, *BI*, *BJ*, *BK*, *BL*, *BM*, *BN*, *BO*, *BP*, *BQ*, *BR*, *BS*, *BT*, *BU*, *BV*, *BW*, *BX*, *BY*, *BZ*, *CA*, *CB*, *CC*, *CD*, *CE*, *CF*, *CG*, *CH*, *CI*, *CJ*, *CK*, *CL*, *CM*, *CN*, *CO*, *CP*, *CQ*, *CR*, *CS*, *CT*, *CU*, *CV*, *CW*, *CX*, *CY*, *CZ*, *DA*, *DB*, *DC*, *DD*, *DE*, *DF*, *DG*, *DH*, *DI*, *DJ*, *DK*, *DL*, *DM*, *DN*, *DO*, *DP*, *DQ*, *DR*, *DS*, *DT*, *DU*, *DV*, *DW*, *DX*, *DY*, *DZ*, *EA*, *EB*, *EC*, *ED*, *EE*, *EF*, *EG*, *EH*, *EI*, *EJ*, *EK*, *EL*, *EM*, *EN*, *EO*, *EP*, *EQ*, *ER*, *ES*, *ET*, *EU*, *EV*, *EW*, *EX*, *EY*, *EZ*, *FA*, *FB*, *FC*, *FD*, *FE*, *FF*, *FG*, *FH*, *FI*, *FJ*, *FK*, *FL*, *FM*, *FN*, *FO*, *FP*, *FQ*, *FR*, *FS*, *FT*, *FU*, *FV*, *FW*, *FX*, *FY*, *FZ*, *GA*, *GB*, *GC*, *GD*, *GE*, *GF*, *GG*, *GH*, *GI*, *GJ*, *GK*, *GL*, *GM*, *GN*, *GO*, *GP*, *GQ*, *GR*, *GS*, *GT*, *GU*, *GV*, *GW*, *GX*, *GY*, *GZ*, *HA*, *HB*, *HC*, *HD*, *HE*, *HF*, *HG*, *HH*, *HI*, *HJ*, *HK*, *HL*, *HM*, *HN*, *HO*, *HP*, *HQ*, *HR*, *HS*, *HT*, *HU*, *HV*, *HW*, *HX*, *HY*, *HZ*, *IA*, *IB*, *IC*, *ID*, *IE*, *IF*, *IG*, *IH*, *II*, *IJ*, *IK*, *IL*, *IM*, *IN*, *IO*, *IP*, *IQ*, *IR*, *IS*, *IT*, *IU*, *IV*, *IW*, *IX*, *IY*, *IZ*, *JA*, *JB*, *JC*, *JD*, *JE*, *JF*, *JG*, *JH*, *JI*, *JJ*, *JK*, *JL*, *JM*, *JN*, *JO*, *JP*, *JQ*, *JR*, *JS*, *JT*, *JU*, *JV*, *JW*, *JX*, *JY*, *JZ*, *KA*, *KB*, *KC*, *KD*, *KE*, *KF*, *KG*, *KH*, *KI*, *KJ*, *KK*, *KL*, *KM*, *KN*, *KO*, *KP*, *KQ*, *KR*, *KS*, *KT*, *KU*, *KV*, *KW*, *KX*, *KY*, *KZ*, *LA*, *LB*, *LC*, *LD*, *LE*, *LF*, *LG*, *LH*, *LI*, *LJ*, *LK*, *LL*, *LM*, *LN*, *LO*, *LP*, *LQ*, *LR*, *LS*, *LT*, *LU*, *LV*, *LW*, *LX*, *LY*, *LZ*, *MA*, *MB*, *MC*, *MD*, *ME*, *MF*, *MG*, *MH*, *MI*, *MJ*, *MK*, *ML*, *MN*, *MO*, *MP*, *MQ*, *MR*, *MS*, *MT*, *MU*, *MV*, *MW*, *MX*, *MY*, *MZ*, *NA*, *NB*, *NC*, *ND*, *NE*, *NF*, *NG*, *NH*, *NI*, *NJ*, *NK*, *NL*, *NM*, *NO*, *NP*, *NQ*, *NR*, *NS*, *NT*, *NU*, *NV*, *NW*, *NX*, *NY*, *NZ*, *OA*, *OB*, *OC*, *OD*, *OE*, *OF*, *OG*, *OH*, *OI*, *OJ*, *OK*, *OL*, *OM*, *ON*, *OO*, *OP*, *OQ*, *OR*, *OS*, *OT*, *OU*, *OV*, *OW*, *OX*, *OY*, *OZ*, *PA*, *PB*, *PC*, *PD*, *PE*, *PF*, *PG*, *PH*, *PI*, *PJ*, *PK*, *PL*, *PM*, *PN*, *PO*, *PP*, *PQ*, *PR*, *PS*, *PT*, *PU*, *PV*, *PW*, *PX*, *PY*, *PZ*, *QA*, *QB*, *QC*, *QD*, *QE*, *QF*, *QG*, *QH*, *QI*, *QJ*, *QK*, *QL*, *QM*, *QN*, *QO*, *QP*, *QQ*, *QR*, *QS*, *QT*, *QU*, *QV*, *QW*, *QX*, *QY*, *QZ*, *RA*, *RB*, *RC*, *RD*, *RE*, *RF*, *RG*, *RH*, *RI*, *RJ*, *RK*, *RL*, *RM*, *RN*, *RO*, *RP*, *RQ*, *RR*, *RS*, *RT*, *RU*, *RV*, *RW*, *RX*, *RY*, *RZ*, *SA*, *SB*, *SC*, *SD*, *SE*, *SF*, *SG*, *SH*, *SI*, *SJ*, *SK*, *SL*, *SM*, *SN*, *SO*, *SP*, *SQ*, *SR*, *SS*, *ST*, *SU*, *SV*, *SW*, *SX*, *SY*, *SZ*, *TA*, *TB*, *TC*, *TD*, *TE*, *TF*, *TG*, *TH*, *TI*, *TJ*, *TK*, *TL*, *TM*, *TN*, *TO*, *TP*, *TQ*, *TR*, *TS*, *TT*, *TU*, *TV*, *TW*, *TX*, *TY*, *TZ*, *UA*, *UB*, *UC*, *UD*, *UE*, *UF*, *UG*, *UH*, *UI*, *UJ*, *UK*, *UL*, *UM*, *UN*, *UO*, *UP*, *UQ*, *UR*, *US*, *UT*, *UU*, *UV*, *UW*, *UX*, *UY*, *UZ*, *VA*, *VB*, *VC*, *VD*, *VE*, *VF*, *VG*, *VH*, *VI*, *VJ*, *VK*, *VL*, *VM*, *VN*, *VO*, *VP*, *VQ*, *VR*, *VS*, *VT*, *VU*, *VV*, *VW*, *VX*, *VY*, *VZ*, *WA*, *WB*, *WC*, *WD*, *WE*, *WF*, *WG*, *WH*, *WI*, *WJ*, *WK*, *WL*, *WM*, *WN*, *WO*, *WP*, *WQ*, *WR*, *WS*, *WT*, *WU*, *WV*, *WW*, *WX*, *WY*, *WZ*, *XA*, *XB*, *XC*, *XD*, *XE*, *XF*, *XG*, *XH*, *XI*, *XJ*, *XK*, *XL*, *XM*, *XN*, *XO*, *XP*, *XQ*, *XR*, *XS*, *XT*, *XU*, *XV*, *XW*, *XX*, *XY*, *XZ*, *YA*, *YB*, *YC*, *YD*, *YE*, *YF*, *YG*, *YH*, *YI*, *YJ*, *YK*, *YL*, *YM*, *YN*, *YO*, *YP*, *YQ*, *YR*, *YS*, *YT*, *YU*, *YV*, *YW*, *YX*, *YY*, *YZ*, *ZA*, *ZB*, *ZC*, *ZD*, *ZE*, *ZF*, *ZG*, *ZH*, *ZI*, *ZJ*, *ZK*, *ZL*, *ZM*, *ZN*, *ZO*, *ZP*, *ZQ*, *ZR*, *ZS*, *ZT*, *ZU*, *ZV*, *ZW*, *ZX*, *ZY*, *ZZ
- (6) *C* DIMENSION IS OVERALL LENGTH WITH OR WITHOUT THE FEEDBACK DEVICES SHOWN IN DS 616779-10 FOR TEAD-BC.
- (7) REFER TO DS 616779-10 (TEAD-BC) FOR TACH CONNECTION DIMENSIONS.
- (8) DIMENSIONS FOR *X1* FEATURES OR CENTRIFUGAL BLOWER ONLY.

TERMINAL BOX CAN BE ROTATED IN 90 DEG. INCREMENTS.
TERMINAL BOX MOUNTED ON TOP AS STANDARD.
TERMINAL BOX CAN BE LOCATED ON SIDE IN F1 OR F2 POSITION WHEN SPECIFIED.
MOTOR WEIGHT MAY VARY 15% FOR NON-STANDARD RATINGS AND/OR ACCESSORIES.
IF MOUNTING CLEARANCE DETAILS ARE REQUIRED, CONSULT FACTORY.
FRAME PREFIX UL = ROLLER BEARING
FRAME PREFIX L = BALL BEARINGS

CUSTOMER IS RESPONSIBLE FOR DETERMINING THAT BALDOR'S PRODUCT WILL PERFORM SUITABLY IN THE INTENDED APPLICATION.

| | | |
|--|------------------------------|-------------------|
| REV. DESC: ADD NOTE: CENTRIFUGAL STYLE BLOWERS | VERSION: 01 | TDR: 000000740277 |
| REV. LTR: A | REVISED: 04:09:59 03/29/2012 | BY: RGGTBI |
| FILE: \RGG\00003\683 | | |
| MTL: - | | |

BALDOR

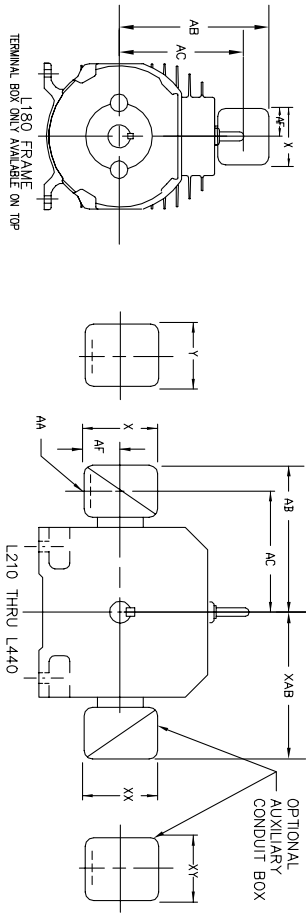
DIM SHT L3203Z THRU UL3213Z RPM AC TEBC AO INLINE FT MTG

SH 1 of 1

100-997919

RPM AC INDUSTRIAL ALTERNATING CURRENT MOTORS

STEEL, CAST IRON, MILL AND TERMINAL BOARD CONDUIT BOX DIMENSIONS
NEMA FRAMES L180 thru L440 and IEC FRAMES DL112 thru DL280



DIMENSIONS ARE IN INCHES (MM)

| STEEL TERMINAL BOX DIMENSIONS (MAXIMUM) | | | | | | CAST IRON TERMINAL BOX DIMENSIONS (MAXIMUM) | | | | | | |
|---|----------|-------|-------|-------|------|---|----------|-------|----|-------|-------|------|
| FRAME SIZE | MAX AMPS | AK(1) | AB | AC | AF | STANDARD SIZE | MAX AMPS | AK(2) | AB | AC | AF | |
| L180 | 40 | 1.38 | 8.62 | 6.94 | 2.25 | 4.50 | L180 | 60 | 1 | 9.38 | 7.50 | 2.50 |
| L210 | 75 | 2 | 9.38 | 7.50 | 2.81 | 5.62 | L210 | 140 | 3 | 14.25 | 10.50 | 3.62 |
| L230 | 160 | 2 | 12.75 | 9.19 | 4.25 | 8.44 | L230 | 210 | 4 | 15.62 | 11.38 | 4.12 |
| L250 | 305 | 4 | 14.62 | 10.50 | 5.38 | 10.56 | L250 | 510 | 5 | 18.50 | 13.25 | 7.00 |
| L280 | 500 | 5 | 18.38 | 13.25 | 6.50 | 12.10 | L280 | 1400 | 3 | 15.38 | 11.50 | 3.62 |
| L320 | 160 | 2 | 13.75 | 10.63 | 4.25 | 8.44 | L320 | 210 | 4 | 16.62 | 12.44 | 4.12 |
| L360 | 305 | 4 | 15.50 | 11.56 | 5.38 | 10.56 | L360 | 510 | 5 | 19.62 | 14.31 | 7.00 |
| L400 | 500 | 5 | 19.00 | 14.31 | 6.50 | 12.10 | L400 | 1400 | 3 | 15.50 | 11.75 | 3.62 |
| L440 | 800 | 8 | 22.00 | 16.88 | 6.50 | 12.10 | L440 | 2100 | 4 | 18.12 | 13.88 | 4.12 |

| MILL CONDUIT BOX DIMENSIONS (MAXIMUM) | | | | | |
|---------------------------------------|----------|-----|-------|-------|------|
| FRAME SIZE | MAX AMPS | AA | AB | AC | AF |
| L210 | 160 | (3) | 10.78 | 8.41 | 3.50 |
| L230 | 160 | (3) | 11.84 | 9.47 | 3.50 |
| L280 | 160 | (3) | 12.75 | 10.75 | 3.50 |
| L320 | 590 | (3) | 14.75 | 11.34 | 4.50 |
| L360 | 590 | (3) | 15.47 | 12.06 | 4.50 |
| L400 | 590 | (3) | 16.00 | 13.06 | 4.50 |
| L440 | 1260 | (3) | 27.38 | 19.88 | 6.06 |

| IEC CONDUIT BOX DIMENSIONS WITH TERMINAL BOARDS (MAXIMUM) | | | | | | | | | | | |
|---|------|-----|------------|------------|------------|------------|------------|-------------------|-------------------|-------------------|-------------------|
| FRAME NEMA/IEC | AMPS | AA | AB (mm) | AC (mm) | AF (mm) | X (mm) | Y (mm) | PART NUMBER | PART NUMBER | PART NUMBER | PART NUMBER |
| L180/UL112 | 85 | <4> | 9.38(239) | 7.50(191) | 2.81(72) | 5.62(143) | 6.12(156) | 706320-5-A or 4-C | 706320-5-A or 4-C | 706320-5-A or 4-C | 706320-5-A or 4-C |
| L210/UL132 | 100 | -- | 10.77(274) | 9.04(230) | 3.74(95) | 7.48(190) | 7.48(190) | 706310-56-A | 706310-56-A | 706310-225-R | 706310-225-R |
| L230/UL160 | 160 | -- | 11.63(296) | 9.62(245) | 4.41(112) | 8.82(224) | 8.82(224) | 706310-56-B | 706310-56-B | 706310-225-R | 706310-225-R |
| L250/UL160 | 100 | -- | 12.09(307) | 10.36(264) | 3.74(95) | 7.48(190) | 7.48(190) | 706310-56-A | 706310-56-A | 706310-225-R | 706310-225-R |
| L280/UL180 | 160 | -- | 13.58(344) | 11.57(294) | 4.41(112) | 8.82(224) | 8.82(224) | 706310-56-B | 706310-56-B | 706310-225-R | 706310-225-R |
| L320/UL200 | 400 | -- | 19.09(485) | 14.37(365) | 6.20(158) | 14.39(366) | 14.39(366) | 706310-63-B | 706310-63-B | 706310-63-B | 706310-63-B |
| L360/UL230 | 800 | -- | 20.06(510) | 17.53(446) | 6.20(158) | 14.39(366) | 14.39(366) | 706310-63-B | 706310-63-B | 706310-63-B | 706310-63-B |
| L400/UL250 | 800 | -- | 20.78(528) | 18.25(464) | 6.20(158) | 14.39(366) | 14.39(366) | 706310-63-B | 706310-63-B | 706310-63-B | 706310-63-B |
| L440/UL280 | 1260 | -- | 25.94(659) | 18.44(468) | 6.06(154) | 18.50(470) | 18.50(470) | 706310-63-E | 706310-63-E | 706310-63-E | 706310-63-E |
| L440/UL280 | 1300 | -- | 27.38(696) | 19.88(505) | 6.06(154) | 18.50(470) | 18.50(470) | 706310-63-E | 706310-63-E | 706310-63-E | 706310-63-E |
| L440/UL280 | 1300 | -- | 30.38(772) | 21.38(543) | 12.44(316) | 24.00(610) | 24.00(610) | 706310-360-A | 706310-360-A | 706310-360-A | 706310-360-A |

| DEPT. AUXILIARY CONDUIT BOX DIMENSIONS (MAXIMUM) | | | | | | | | | | | |
|--|-------|------|------|--------------|------------|-------|------|------|------|------------|----|
| FRAME SIZE | XY | XX | XY | XX | XY | XX | XY | XX | XY | XX | XY |
| L210/UL132 | 7.38 | 4.25 | 4.25 | 6.02007-56-A | L210/UL132 | 10.88 | 8.00 | 8.00 | 8.00 | 706310-3-B | |
| L230/UL160 | 8.44 | 4.25 | 4.25 | 6.02007-56-A | L230/UL160 | 11.88 | 8.00 | 8.00 | 8.00 | 706310-3-B | |
| L250/UL180 | 9.12 | 4.25 | 4.25 | 6.02007-56-A | L250/UL180 | 12.62 | 8.00 | 8.00 | 8.00 | 706310-3-B | |
| L280/UL200 | 10.00 | 4.25 | 4.25 | 6.02007-56-A | L280/UL200 | 13.50 | 8.00 | 8.00 | 8.00 | 706310-3-B | |
| L320/UL230 | 11.00 | 4.25 | 4.25 | 6.02007-56-A | L320/UL230 | 14.50 | 8.00 | 8.00 | 8.00 | 706310-3-B | |
| L360/UL250 | 12.00 | 4.25 | 4.25 | 6.02007-56-A | L360/UL250 | 15.50 | 8.00 | 8.00 | 8.00 | 706310-3-B | |
| L400/UL280 | 13.12 | 4.25 | 4.25 | 6.02007-56-A | L400/UL280 | 16.62 | 8.00 | 8.00 | 8.00 | 706310-3-B | |

(1) *AF CONDUIT.
(2) *AF PIPE TAP.
(3) *CUSTOMER TO PROVIDE
(4) 2" DN -5A OR 1" TAP DN -4C
CONDUIT BOX CAN BE ROTATED
360°. CONDUIT BOX MAY BE
LOCATED FL, F2 OR F3 AS
SPECIFIED

100-6671919

CUSTOMER IS RESPONSIBLE FOR DETERMINING THAT BALDOR'S PRODUCT WILL PERFORM SUITABLY IN THE INTENDED APPLICATION.

| | |
|---|--------------------------------|
| REV. DESC: ADD 1260 AMP L400, ADD 1300 AMP L440 | TDR: 000000B04459 |
| REV. LTR: A | VERSION: 01 |
| FILE: \RGG\00003\688 | REVISED: 10: 23: 58 06/18/2013 |
| MTL: - | BY: RGGWT |

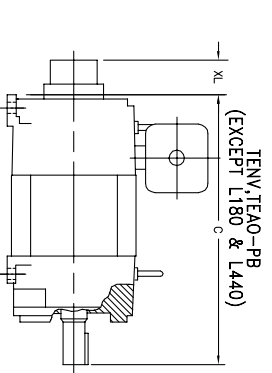
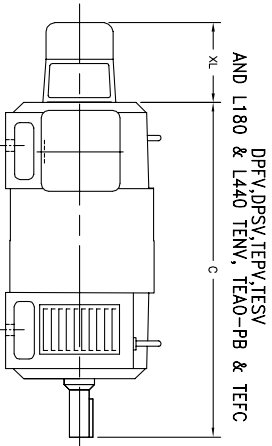
BALDOR

DIM SHT NEMA L180 THRU L440 & IEC DL112 THRU DL280

SH 1 of 1

RPM AC TACHOMETER DIMENSIONS
NEMA FRAMES L180 THRU L440
 DIMENSIONS ARE IN INCHES

616779-010



| TACH MODEL | XL | LBS. |
|----------------|-------|-------|
| ME27, M628 | 10.31 | 20 |
| M727, M737 | | |
| M738 | | |
| HE25D (S CAND) | 6.31 | 10 |
| HE25D (E CAND) | 9.06 | 10 |
| TS-2014N | 5.62 | 10 |
| TS-2087N | 9.94 | 15 |
| RIM6500 | 4.00 | 5 |
| RL67 | 2.00 | 5 |
| 845H | 6.27 | 10 |
| H20 | 7.38 | 10 |
| BET | 9.25 | 10 |
| M3, M4 | 3.62 | 10 |
| ME65 | 3.38 | 10 |
| M465 | 8.50 | 15 |
| SL56 | 2.19 | 10 |
| HS25 DR HS135 | 2.50 | 5 |
| HS6 | 3.00 | 5 |
| SL56 | 9.50 | 10 |
| E25BA | 2.75 | 10 |
| AVTRON AV65D | 3.52 | 9 |
| DYNAPAR EN42 | 3.30 | 6.5 |
| DYNAPAR HS35R | 3.30 | 2.0 |
| AVTRON AV465 | 11.00 | 17.00 |
| RAH35M | 4.19 | 5.00 |

| TACH MODEL | XL | LBS. |
|-----------------|-------|------|
| TAMAGAWA TSS778 | 6.5 | 5 |
| X25 | 10.50 | 10 |
| LE88D | 10.25 | 10 |
| STEGMANN | 2.81 | 5 |
| RIM1250 | 4.75 | 80 |
| RIM6500 | 9.62 | 25 |
| SRM25 | 6.28 | 10 |
| HS20, HS135 | 3.30 | 2 |
| TS5016N | 4.25 | 15 |
| HS36 | 3.62 | 10 |
| AV65 | 2.19 | 10 |
| RAH35M | 4.19 | 15 |
| M3-56C | 7.38 | 15 |
| EN1325 | 6.50 | 15 |
| ENM425 | 5.50 | 15 |
| RDM486 | 3.25 | 10 |
| HD25 | 5.62 | 10 |
| AVTRON AV67 | 4.89 | 5 |
| AV96 | 2.00 | 5 |
| HS138 | 3.00 | 5 |
| SFV/SFM60 | 3.00 | 5 |
| HS45 | 3.12 | 10 |
| SFV/SFM50 | 4.00 | 10 |

| TACH MODEL | XL | LBS. |
|--------------|------|------|
| TS-5008N | 5.88 | 10 |
| TS-5013N | | |
| TS-5035N | | |
| TS-2014N | 4.31 | 20 |
| TS-2087N | 8.62 | 15 |
| BD-120 | .88 | 5 |
| 625/845H | 6.50 | 10 |
| BD-62 | 8.25 | 10 |
| TS-2151 | 1.88 | 5 |
| H20 | 5.88 | 10 |
| RL67 | 1.56 | 5 |
| RIM 8500 | 3.50 | 20 |
| SI-5C | 3.00 | 20 |
| M885 | 3.50 | 20 |
| HS6 DR HS135 | 1.43 | 5 |
| M3 M4 | 1.38 | 10 |
| SL56 | 1.38 | 10 |
| M40 56C-MIG | 7.12 | 15 |
| M485 | 7.12 | 15 |
| AVTRON AV60 | 2.54 | 9 |
| RAH35M | 3.56 | 5 |

| TACH MODEL | XL | LBS. |
|------------|------|------|
| RA5 | 2.25 | 10 |

SEE MOTOR DIMENSION SHEET FOR "C" DIMENSION

SEE MOTOR DIMENSION SHEET FOR "C" DIMENSION

END OF MOTOR WITHOUT TACH

TEAO-BC

END OF MOTOR WITHOUT TACH

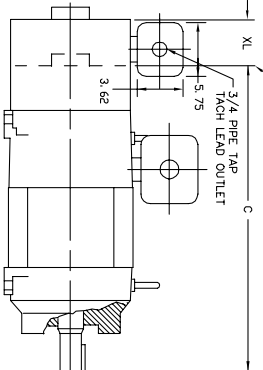
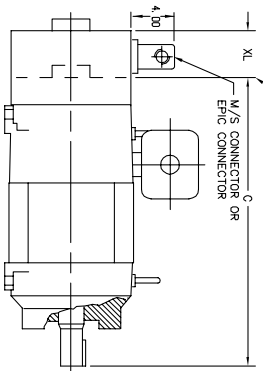


FIG. 1

FIG. 2

| TACH MODEL | STANDARD CONNECTION PER | LBS. | X/Y/T CONNECTION PER | LBS. | XL PER FRAME SIZE | L180 | L210 | L250 | L280 | L320 | L360 | L400 |
|--------------------|-------------------------|------|----------------------|------|-------------------|------|------|------|------|------|------|------|
| TS-5008N | FIG. 1 | 15 | FIG. 2 | 20 | 4.00 | 6.12 | 5.12 | 5.12 | 0 | 4.00 | 7.00 | |
| TS-5013N | | | | | | | | | | | | |
| TS-5035N | | | | | | | | | | | | |
| TS-2014N/845H | FIG. 1 | 20 | FIG. 2 | 25 | 4.00 | 6.12 | 5.12 | 5.12 | 0 | 4.00 | 7.00 | |
| TS-2151 | FIG. 1 | 10 | FIG. 2 | 10 | 4.00 | 6.12 | 5.12 | 5.12 | 0 | 4.00 | 7.00 | |
| H20 | FIG. 1 | 10 | FIG. 2 | 15 | 4.00 | 4.12 | 3.12 | 3.12 | 0 | 4.00 | 7.00 | |
| RL67 | FIG. 1 | 10 | FIG. 1 | 10 | 4.00 | 4.12 | 3.12 | 3.12 | 0 | 4.00 | 7.00 | |
| SL-56 | FIG. 1 | 10 | FIG. 1 | 10 | 4.00 | 4.12 | 3.12 | 3.12 | 0 | 4.00 | 7.00 | |
| HS25, HS135, HS138 | FIG. 1 | 10 | FIG. 2 | 15 | 4.00 | 4.12 | 3.12 | 3.12 | 0 | 4.00 | 7.00 | |
| AVTRON V3-HS | FIG. 1 | 10 | FIG. 2 | 15 | 4.00 | 4.12 | 3.12 | 3.12 | 0 | 4.00 | 7.00 | |
| AVTRON AV56 | FIG. 1 | 10 | FIG. 2 | 15 | 4.00 | 4.12 | 3.12 | 3.12 | 0 | 4.00 | 7.00 | |
| AVTRON HS45 | FIG. 1 | 10 | FIG. 2 | 15 | 4.00 | 4.12 | 3.12 | 3.12 | 0 | 4.00 | 7.00 | |

SEE MOTOR DIMENSION SHEET FOR "C" DIMENSION

010-667919

CUSTOMER IS RESPONSIBLE FOR DETERMINING THAT BALDOR'S PRODUCT WILL PERFORM SUITABLY IN THE INTENDED APPLICATION.

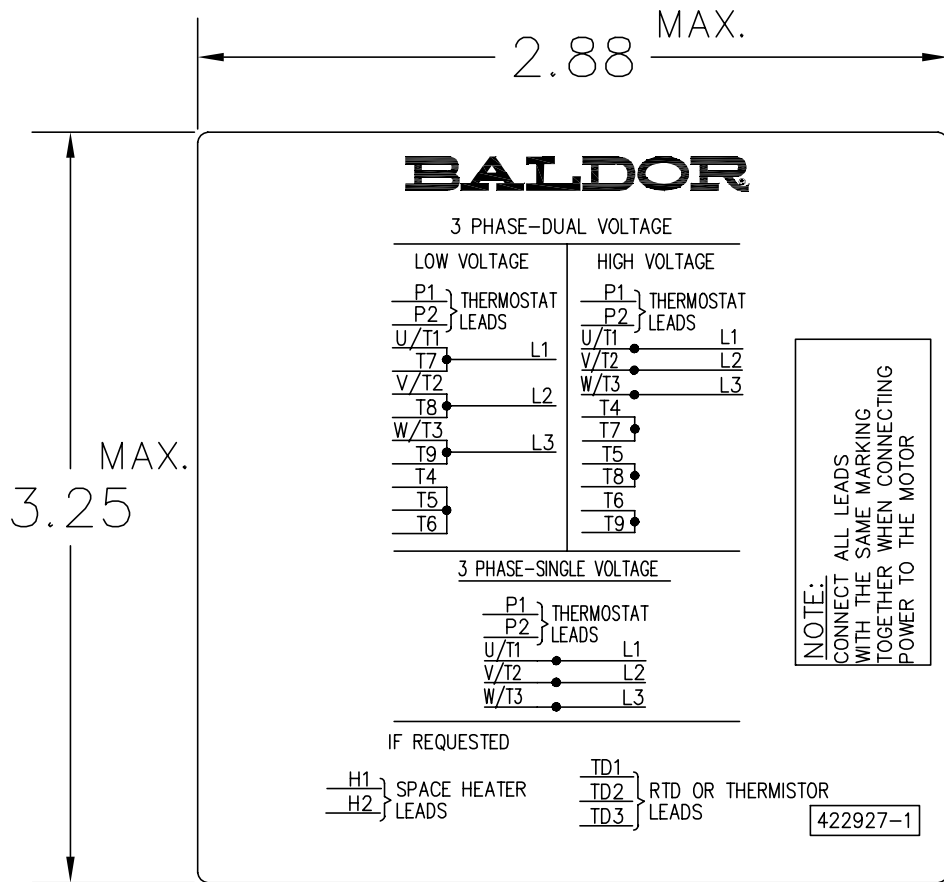
| | | |
|---|--------------------------------|-------------------|
| REV. DESC: ADD AVTRON HS45 TO TEAO-BE (B365302) | VERSION: 18 | TDR: 000000873222 |
| REV. LTR: T | REvised: 11: 32: 55 09/25/2014 | BY: RGGWT |
| FILE: \RGG\00003\689 | | |
| MTL: - | | |

BALDOR

DIM SHT TACH DIM NEMA L180 THRU L440

SH 1 of 1

422927-001



NOTE:
DATA TO BE SIZED
SO THAT IT FITS INTO
MATERIAL DECAL
DIMENSIONS. MAKE
LETTERS & NUMBERS
AS LARGE AS POSSIBLE.

MATERIAL: CERAMATIC DGF-P4
PERMA GRIP ADHESIVE

ALL LETTERS, NUMBERS
AND LINES TO BE BLACK
ON WHITE BACKGROUND.

422927-001

| | | |
|---|------------------------------|------------------|
| REV. DESC: CHANGE BACKGROUND COLOR FROM GOLD TO WHITE | | |
| REV. LTR: B | VERSION: 02 | TDR: 00000788708 |
| FILE: \RGG\00000\203 | REVISED: 08:09:29 03/04/2013 | |
| MTL: - | BY: RGGWT | |

BALDOR

EXTERNAL CONNECTION LABEL

SH 1 of 1

Marketing maintained PDF of MN406:

<http://www.baldor.com/support/Literature/Load.ashx/MN406?ManNumber=MN406>