

BARNES • PROSSER • CROWN SERVICE PARTS

MODEL

15ICU-1
20ICU-1
25ICU-1

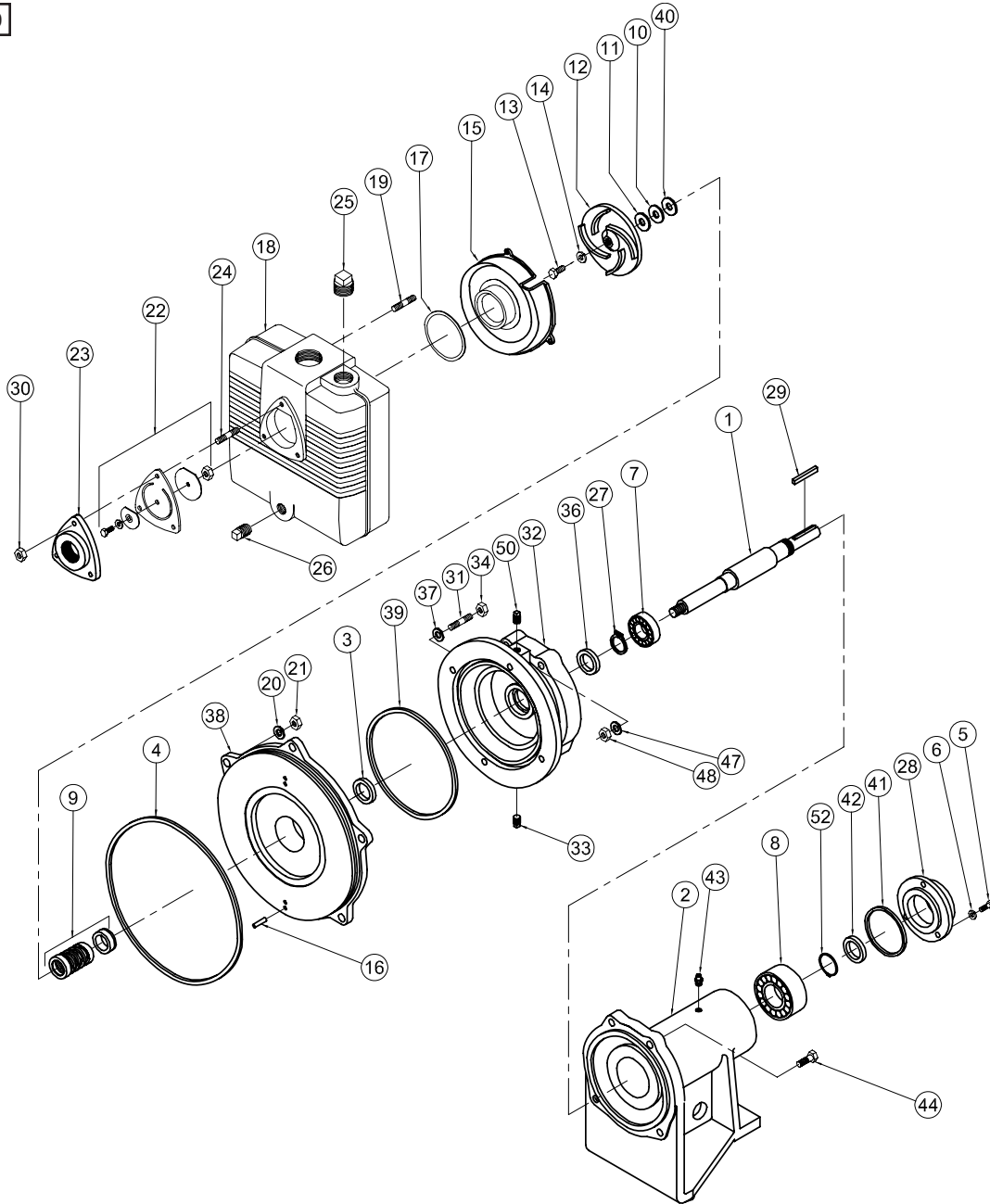
PART NO.

052596
052624
052626



Questions? Call 1-800-810-1053

Manual: 052350



Continued →

BARNES • PROSSER • CROWN SERVICE PARTS

PARTS KIT

Seal KitP/N: 085241 (†) 4, 9, 10, 11, 13, 14, 17, 20, 21, 22B, 36, 39

Overhaul KitP/N: 085240 (◆) 4, 7, 8, 9, 10, 11, 13, 14, 22B, 27, 29, 36, 39, 41, 42, 43

ITEM	QTY.	PART No.	DESCRIPTION
1	1	077904	Shaft Stainless
2	1	039982	Pedestal
3	1	005163	Slinger Buna-N
4	1	018386	†◆ O-Ring
5	4	027113	Hex Hd Screw 5/16-18 x .875" Lg, Stainless
6	4	026322	Lockwasher 5/16 Stainless
7	1	033491	◆ Bearing
8	1	026302	◆ Bearing
9	1	052601	†◆ Shaft Seal C/CE/N
10	1	001349	†◆ Shim, .010
11	1	001348	†◆ Shim, .031
12	1	090053TB	Impeller, 15ICU-1 5.9" Dia
		090050TB	Impeller, 20ICU-1 5.9" Dia
		051102	Impeller, 25ICU-1 7.00" Dia
13	1	019802	†◆ Hex Hd Screw 1/2-20 x 1.00" Lg, Stainless
14	2	019803	†◆ Shakeproof Washer, 15 & 20ICU-1 1/2" Stainless
		070089	Washer, 25ICU-1 Stainless
15	1	018883	Volute, 15 & 20ICU-1
		019102	Volute, 25ICU-1
16	2	039992	Volute Pin
17	1	018388	†◆ Volute Gasket
18	1	019042	Body
19	5	021078	Stud 1/2-13 x 2.00" Lg, Stainless
20	5	021077	Lockwasher 1/2", Stainless
21	5	15-6-1	† Hex Nut 1/2-13, Stainless
22	1	018387	† Check Valve Assy
22A	1	001588	Weight 2.75" O.D.
22B	1	018008	†◆ Gasket Neoprene
22C	1	20-13-1	Lock Washer 1/4" Stainless
22D	1	1-7-1	Hex Hd Screw 1/4-20 x 1.00" Lg, Stainless
22E	1	15-5-1	Hex Nut 1/4-20, Stainless
22F	1	067500	Weight 4" O.D.
23	1	018884	Suction Flange
24	3	021078	Stud 1/2-13 x 2.00" Lg, Stainless
25	1	003205	Pipe Plug 1.00" NPT
26	1	003205	Pipe Plug 1.00" NPT
27	1	019851	◆ Snap Ring
28	1	039958	Bearing Cap
29	1	033771	◆ Key 1/4 Sq. x 2.25" Lg
30	3	15-6-1	Hex Nut 1/2-13, Stainless
31	4	019034	Stud 3/8-16 x 1.75", Stainless
32	1	051188	Coupling Head
33	1	015000	Pipe Plug 3/8 NPT
34	4	15-23-1	Hex Nut 3/8-16, Stainless
36	1	039465	†◆ Lip Seal
37	4	018926	Lock Washer 3/8 Stainless
38	1	039984	Seal Plate
39	1	059665	†◆ O-Ring
40	1	026990	Shim Seal
41	1	026997	◆ O-Ring
42	1	026309	◆ Lip Seal
43	1	026307	◆ Relief Fitting .125 NPT
44	4	027114	Hex Hd Screw 7/16-14 x 2.50" Lg, Stainless
47	4	027115	Lock Washer 7/16, Stainless
48	4	027116	Hex Nut 7/16-14, Stainless
49	4 oz.	----	Gear Oil, 80-90W (SHELL® Spirax H.D. or Equal)
50	1	071931	T-Vented Plug
51	4 oz.	----	Grease (Lithium Soap Base, SOHIO® Factran EP-3 or Equal)
52	1	019851	Snap Ring 1.282" ID, Steel

End

Order-Online: www.PumpCatalog.com

SECTION 4E
PAGE 12
DATE 5/06

CRANE®

PUMPS & SYSTEMS