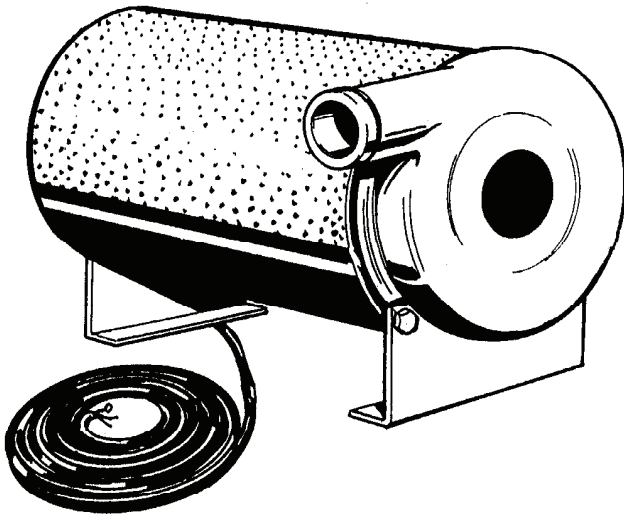


BARNES®

INSTALLATION and OPERATION MANUAL Submersible Fountain Pump



**Series: SFU, 60Hz.
1/3 - 1 HP, 3450RPM**

**Series: 2P5, 60Hz.
1/3 - 1 HP, 3450RPM**

**Series: SFU, 50Hz
0.9 - 0.58HP, 2850RPM
(0.14 - 0.43kW)**



Underwriters Laboratories Inc.®
File No. E142177

UL Listing DOES NOT include the 50Hz Models

IMPORTANT!

*Read all instructions in this manual before operating pump.
As a result of Crane Pumps & Systems, Inc., constant product improvement program,
product changes may occur. As such Crane Pumps & Systems reserves the right to
change product without prior written notification.*

CRANE

A Crane Co. Company

PUMPS & SYSTEMS

420 Third Street
Piqua, Ohio 45356
Phone: (937) 778-8947
Fax: (937) 773-7157
www.cranepumps.com

83 West Drive, Brampton
Ontario, Canada L6T 2J6
Phone: (905) 457-6223
Fax: (905) 457-2650

Form No. 026882-Rev. S

E
N
G
L
I
S
H

E
S
P
A
Ñ
O
L

F
R
A
N
Ç
A
I
S

TABLE OF CONTENTS

SAFETY FIRST	3
A. PUMP SPECIFICATIONS	4
B. GENERAL INFORMATION	5
C. INSTALLATION	5
ELECTRICAL DATA	6
D. START-UP OPERATION	7
E. PREVENTATIVE MAINTENANCE	7
F. SERVICE and REPAIR	7 - 8
G. REPLACEMENT PARTS.....	10
TROUBLE SHOOTING	11
CROSS-SECTION (Fig. 7).....	12
EXPLODED VIEW, (Fig. 8).....	13
PARTS LIST	14
RETURNED GOODS POLICY.....	19
WARRANTY	20
START-UP REPORT	21 - 22
WARRANTY REGISTRATION	
SPECIAL TOOLS AND EQUIPMENT	
INSULATION TESTER (MEGGER)	

SAFETY FIRST!

Please Read This Before Installing Or Operating Pump.
This information is provided for **SAFETY and to PREVENT EQUIPMENT PROBLEMS**. To help recognize this information, observe the following symbols:



IMPORTANT! Warns about hazards that can result in personal injury or Indicates factors concerned with assembly, installation, operation, or maintenance which could result in damage to the machine or equipment if ignored.

CAUTION ! Warns about hazards that can or will cause minor personal injury or property damage if ignored. Used with symbols below.

WARNING ! Warns about hazards that can or will cause serious personal injury, death, or major property damage if ignored. Used with symbols below.



Hazardous fluids can cause fire or explosions, burnes or death could result.



Extremely hot - Severe burnes can occur on contact.



Biohazard can cause serious personal injury.



Hazardous fluids can Hazardous pressure, eruptions or explosions could cause personal injury or property damage.

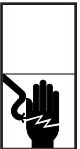


Rotating machinery Amputation or severe laceration can result.



Hazardous voltage can shock, burn or cause death.

Only qualified personnel should install, operate and repair pump. Any wiring of pumps should be performed by a qualified electrician.



WARNING ! - To reduce risk of electrical shock, pumps and control panels must be properly grounded in accordance with the National Electric Code (NEC) or the Canadian Electrical Code (CEC) and all applicable state, province, local codes and ordinances. Improper grounding voids warranty



WARNING! - To reduce risk of electrical shock, always disconnect the pump from the power source before handling or servicing. Lock out power and tag.



CAUTION! Pumps build up heat and pressure during operation-allow time for pumps to cool before handling or servicing.



This pump is **NOT** intended for use in swimming pools
Pumps when used as a decorative fountain pump **MUST** be used in circuit protected by a Ground Fault Interrupter.



WARNING! - **DO NOT** pump hazardous materials (flammable, caustic, etc.) unless the pump is specifically designed and designated to handle them.



Do Not lift pump by the power cord (if applicable)

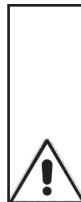


WARNING! - **DO NOT** wear loose clothing that may become entangled in the impeller or other moving parts.

WARNING! - Keep clear of suction and discharge openings. **DO NOT** insert fingers in pump with power connected.



Always wear eye protection when working on pumps.



Make sure lifting handles are securely fastened each time before lifting. **DO NOT** operate pump without safety devices in place. Always replace safety devices that have been removed during service or repair. Secure the pump in its operating position so it can not tip over, fall or slide.

DO NOT exceed manufacturers recommendation for maximum performance, as this could cause the motor to overheat.

DO NOT remove cord and strain relief. Do not connect conduit to pump.

Use an approved motor control that matches motor input in full load AMPS and HP.



WARNING! Cable should be protected at all times to avoid punctures, cut, bruises and abrasions - inspect frequently. Never handle connected power cords with wet hands.

WARNING! To reduce risk of electrical shock, all wiring and junction connections should be made per the NEC or CEC and applicable state or province and local codes. Requirements may vary depending on usage and location.



WARNING! Products Returned Must Be Cleaned, Sanitized, Or Decontaminated As Necessary Prior To Shipment, To Insure That Employees Will Not Be Exposed To Health Hazards In Handling Said Material. All Applicable Laws And Regulations Shall Apply.

Bronze/brass and bronze/brass fitted pumps may contain lead levels higher than considered safe for potable water systems. Lead is known to cause cancer and birth defects or other reproductive harm. Various government agencies have determined that leaded copper alloys should not be used in potable water applications. For non-leaded copper alloy materials of construction, please contact factory.



IMPORTANT! - Crane Pumps & Systems, Inc. is not responsible for losses, injury, or death resulting from a failure to observe these safety precautions, misuse or abuse of pumps or equipment.

SECTION: A - PUMP SPECIFICATIONS

DISCHARGE 1 1/4" (45mm) Hose Connection,
90° Rotation

LIQUID TEMP 145°F (63°C) Continuous

VOLUTE Brass ASTM A4, 85-5-5-5

INTERMEDIATE Brass ASTM A4, 85-5-5-5

HOUSING TUBE Stainless Steel

HOUSING END PIECE Brass ASTM A4, 85-5-5-5

SCREEN: Design Area, 264 sq. in. wrap around,
5/32" Dia. mesh

Material 304 Stainless Steel

PUMP SUPPORTS Brass

DIAPHRAGM Buna-N, Pressure Equalized

IMPELLER:

60Hz Design... Four Vane Open, 1/3 & 1/2HP
Six Vane Open, 3/4 & 1HP

50Hz Design... Four Vane Open, .19 & .28HP
(.14 & .22kW)

Six Vane Open, .43 & .58HP
(.32 & .43kW)

Material Brass ASTM A4, 85-5-5-5

SHAFT 416 Stainless Steel

O-RINGS Buna-N

HARDWARE 300 Series Stainless Steel

SEAL Single Mechanical, Carbon/Ceramic/
Buna-N

CORD ENTRY 12 ft. (4m) Cord. Pressure
grommet for sealing and strain
relief

SPEED: 60Hz 3450 RPM (Nominal)

50Hz 2850 RPM (Nominal)

MOTOR END BEARING.. Single Row, Ball, Oil Lubricated

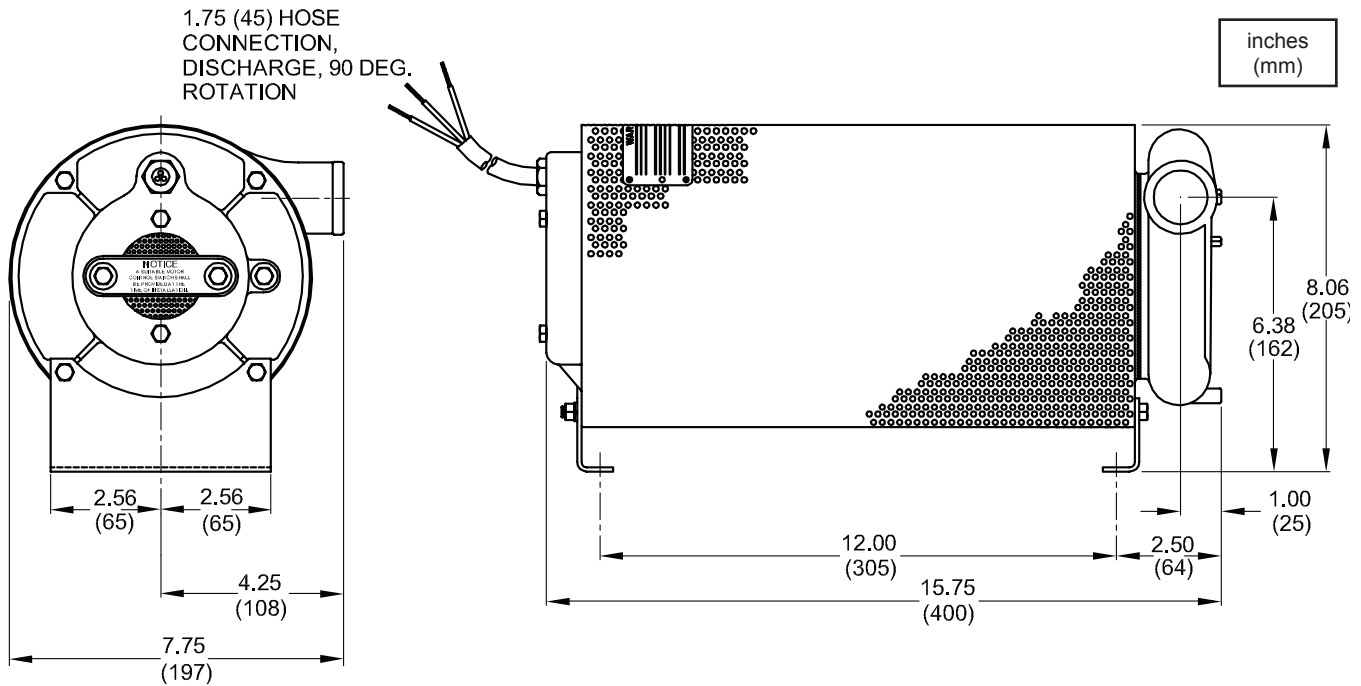
PUMP END BEARING Sleeve, Oil Lubricated

MOTOR: ..Design NEMA L, Oil Filled, Squirrel Cage
Induction

Insulation Class A

SINGLE PHASE Permanent Split Capacitor (PSC)
Includes Overload Protection in
Motor

E
N
G
L
I
S
H



SECTION B: GENERAL INFORMATION

B-1) To the Purchaser:

Congratulations! You are the owner of one of the finest pumps on the market today. Crane Pumps are products engineered and manufactured of high quality components. Over one hundred years of pump building experience along with a continuing quality assurance program combine to produce a pump which will stand up to the toughest applications.

This manual will provide helpful information concerning installation, maintenance, and proper service guidelines.

B-2) Receiving:

Upon receiving the pump, it should be inspected for damage or shortages. If damage has occurred, file a claim immediately with the company that delivered the pump. If the manual is removed from the packaging, do not lose or misplace.

B-3) Storage:

Short Term - These pumps are manufactured for efficient performance following long inoperative periods in storage. For best results, pumps can be retained in storage, as factory assembled, in a dry atmosphere with constant temperatures for up to six (6) months.

Long Term - Any length of time exceeding six (6) months, but not more than twenty four (24) months. The units should be stored in a temperature controlled area, a roofed over walled enclosure that provides protection from the elements (rain, snow, wind blown dust, etc..), and whose temperature can be maintained between +40 deg. F and +120 deg. F.

If extended high humidity is expected to be a problem, all exposed parts should be inspected before storage and all surfaces that have the paint scratched, damaged, or worn should be recoated with a water base, air dry enamel paint. All surfaces should then be sprayed with a rust-inhibiting oil.

Pump should be stored in its original shipping container and on initial start up, rotate impeller by hand to assure seal and impeller rotate freely.

If it is required that the pump be installed and tested before the long term storage begins, such installation will be allowed provided:

- 1) The pump is not installed under water for more than one (1) month.
- 2) Immediately upon satisfactory completion of the test, the pump is removed, thoroughly dried, repacked in the original shipping container, and placed in a temperature controlled storage area.

B-4) SERVICE CENTERS:

For the location of the nearest Barnes Service Center, check your Barnes representative or Crane Pumps & Systems Service Department in Piqua, Ohio, telephone (937) 778-8947 or Crane Pumps & Systems Canada in Brampton, Ontario Canada, (905) 457-6223.

SECTION C: INSTALLATION

C-1) Location:

These pumps are specially designed for use in dramatic, decorative water displays. A pit should be provided so the complete submersible pump can be set on the bottom, in the horizontal position, to insure submergence at all times. In this position the built-in suction trap will prevent the unit from pumping the pit dry, keeping the motor two-thirds submerged, thus providing adequate cooling.

CAUTION: If the pump is mounted in the vertical position, it may pump the water level down, exposing the motor housing which will cause the motor to overheat and trip the built-in automatic overload protector.

C-2) Discharge:

This pump is a high capacity low head unit, therefore, it is very important to use as few pipe fittings as possible and use adequate size pipe in order to hold the pressure loss due to friction to a minimum. All models have 1-3/4 inch hose connection discharge and can be rotated in 90° increments.



WARNING ! - To reduce risk of electrical shock or death, disconnect the pump from the power source before handling or servicing, pump must be properly grounded in accordance with The National Electric Code or Canadian Electric Code And all applicable State, Province, Local codes and ordinances. THIS PUMP HAS NOT BEEN INVESTIGATED FOR USE IN SWIMMING POOLS.

C-3) Electrical Connections:

The motor is an oil filled, single phase permanent split capacitor type with built-in automatic overload protector, therefore, it requires no control box. Connect the white and black wires of the motor lead to the two line leads from the power source fused disconnect switch or breaker box, connect the green wire to a ground. See TABLE 1 for cable sizes to reach from the power source to the motor leads and fuse sizes.

TABLE 1 - CORD & FUSE SIZES, MAXIMUM CORD LENGTH IN FEET

CORD SIZE	1/3HP 115 VOLT FUSE: 20 AMP	1/2HP 115 VOLT FUSE: 25 AMP	3/4HP 115 VOLT FUSE: 30 AMP	1HP 230 VOLT FUSE: 25 AMP
14 GA.	75	60	40	100
12 GA.	125	100	60	150
10 GA.	225	150	100	250

C-3.1) Power Cable:

The cord assembly mounted to the pump must not be modified in any way except for shortening to a specific application. Any splice between the pump and the control panel must be made in accordance with all applicable electric codes. It is recommended that a junction box, if used, be mounted outside the sump to prevent flooding. Do not use the power cable to lift pump.

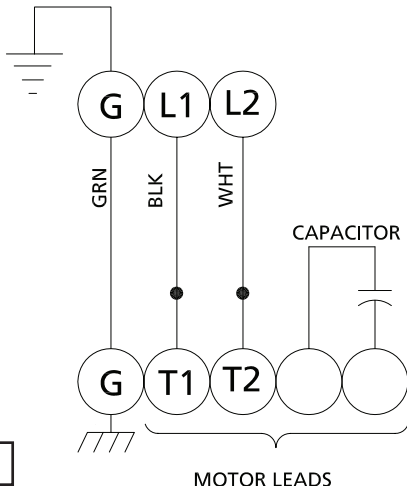


FIGURE 6

SINGLE PHASE - 115 & 230 VAC

POWER CABLE

- Green (Ground)
- Black
- White
- Capacitor
- Capacitor

MOTOR LEADS

- Green
- Straight Connector
- Straight Connector
- Flag Connector
- Flag Connector



DO NOT LET THE PUMP CYCLE OR RUN IF AN OVERLOAD CONDITION OCCURS !

If current through the overload exceeds the values listed, an intermediate control circuit relay must be used to reduce the current or the overload will not work properly.

TEMPERATURE SENSOR ELECTRICAL RATINGS		
Volts	Continuous Amperes	Inrush Amperes
110-120	3.00	30.0
220-240	1.50	15.0

C-3.3) Wire Size:

Consult a qualified electrician for proper wire size. See Table for electrical information.

SECTION: D START-UP OPERATION

D-1) Check Voltage and Phase:

Before operating pump check to make sure that the voltage and phase information stamped on the pump's identification plate matches the available power.

D-2) Check Pump Rotation:

Before putting pump into service for the first time, the motor rotation must be checked. Improper motor rotation can result in poor pump performance and can damage the motor and/or pump. To check the rotation, momentarily apply power and observe the "kickback". "Kickback" should always be in a counter-clockwise direction as viewed from the motor end of the pump ("kickback" is always opposite to impeller rotation).

C-3.2) Overload Protection:

C-3.2-1) Single Phase - The type of in-winding overload protector used is referred to as an inherent overheating protector and operates on the combined effect of temperature and current. This means that the overload protector will trip out and shut the pump off if the windings become too hot, or the load current passing through them becomes too high. It will then automatically reset and start the pump up after the motor cools to a safe temperature. In the event of an overload, the source of this condition should be determined and rectified immediately.

MODEL NO	HP (kW)	VOLT/PH	Hz	RPM (Nom)	NEMA START CODE	FULL LOAD AMPS	LOCKED ROTOR AMPS	CORD SIZE	CORD TYPE	CORD O.D inch (mm)	WINDING RESISTANCE MAIN--START
SFU31	1/3	115/1	60	3450	J	8.0	21.0	16/3	SOW	0.395 (10)	2.26 -- 20.34
SFU51	1/2	115/1	60	3450	E	9.5	21.0	16/3	SOW	0.395 (10)	1.54 -- 16.21
SFU71	3/4	115/1	60	3450	D	12.0	28.0	16/3	SOW	0.395 (10)	0.99 -- 16.17
SFU102	1	230/1	60	3450	E	7.0	21.0	16/3	SOW	0.395 (10)	2.81 -- 15.04
2P536	1/3	115/1	60	3450	J	8.0	21.0	16/3	SOW	0.395 (10)	2.26 -- 20.34
2P537	1/2	115/1	60	3450	E	9.5	21.0	16/3	SOW	0.395 (10)	1.54 -- 16.21
2P538	3/4	115/1	60	3450	D	12.0	28.0	16/3	SOW	0.395 (10)	0.99 -- 16.17
2P539	1	230/1	60	3450	E	7.0	21.0	16/3	SOW	0.395 (10)	2.81 -- 15.04
SFU2W2L	.19 (.14)	110/1	50	2850	M	6.7	17.5	16/3	SOW	0.395 (10)	2.26 -- 20.34
SFU3W2L	.28 (.22)	110/1	50	2850	H	7.9	17.5	16/3	SOW	0.395 (10)	1.54 -- 16.21
SFU4W2L	.43 (.32)	110/1	50	2850	H	10.0	23.3	16/3	SOW	0.395 (10)	0.99 -- 16.17
SFU6X2L	.58 (.43)	220/1	50	2850	H	5.8	17.5	16/3	SOW	0.395 (10)	2.81 -- 15.04

Pump rated for operation at ± 10% voltage at motor.
Winding Resistance ± 5%,

D-2.1) Incorrect Rotation for Single-Phase:

In the unlikely event that the rotation is incorrect for a single-phase pump, contact a Barnes Service Center.

D-3) Identification Plate:

Record the numbers off the pump's identification plate onto the START-UP REPORT provided at the end of the manual for future reference.

D-4) Start-Up Report:

Included at the end of this manual are two start-up report sheets. These sheets are to be completed as applicable. Return one copy to Barnes Pumps and store the second in the control panel or with the pump manual if no control panel is used. It is important to record this data at initial start-up since it will be useful to compare to when servicing the pump in the future.

Insulation Test:

Before the pump is put into service, an insulation (megger) test should be performed on it. The ohm values as well as the volts and amps should be recorded on the start-up sheet and stored safely in the control panel or with the pump manual if no control panel is used.

SECTION E: PREVENTATIVE MAINTENANCE

As the motor is oil filled, no lubrication or other maintenance is required, and generally Barnes pumps will give very reliable service and can be expected to operate for years without failure. However, as with any mechanical piece of equipment a preventive maintenance program is recommended and suggested to include the following checks:

- 1) Inspect motor chamber for oil level and contamination and repair as required per section F-1.
- 2) Inspect impeller and body for excessive build-up or clogging and repair as required per section F-2.
- 3) Inspect and clean the screen as required per section F-3.
- 4) Inspect seal for wear or leakage and repair as required per section F-4

SECTION F: SERVICE AND REPAIR

NOTE: All item numbers () refer to Figures 7 and 8.



WARNING ! - Electrical power to the pump motor must be disconnected and locked out to prevent any dangerous electrical hazards or personal danger before any service work is done to the pump.



CAUTION - Operating pump builds up heat and pressure; allow time for pump to cool to room temperature before handling or servicing.

F-1) Lubrication:

Anytime the pump is removed from operation and at least every twelve (12) months, the cooling oil in the housing tube (27) must be checked visually for oil level and contamination.

F-1.1) Checking Oil:

To check oil, set unit upright. Remove pipe plug (38). With a flashlight, visually inspect the oil in the housing tube (27) to make sure it is clean, clear and that the oil level is above all internal componentry. If oil appears satisfactory, replace pipe plug. If oil is low or appears contaminated, test oil as per section F-1.2

F-1.2) Testing Oil:

1. Place pump on it's end, remove pipe plug (38) and drain oil into a clean, dry container.
2. Check oil for contamination using an oil tester with a range to 30 kilovolts breakdown.
3. If oil is found to be clean and uncontaminated (measures above 15 KV. breakdown), refill the motor housing as per section F-1.3.
4. If oil is found to be dirty or contaminated (or measures below 15KV. breakdown), then the pump must be carefully inspected for leaks at the shaft seal (30), gland nut (13), O-rings (26), diaphragm (15) and pipe plug (38) before refilling with oil. To locate the leak, perform a pressure test as per section F-1.4. After leak is repaired, refill with new oil as per section F-1.3

F-1.3 Replacing Oil in Motor Housing:

Drain all oil from housing tube and dispose of properly. Refill with (see parts list for amount) new cooling oil as per TABLE 2. An air space must remain in the top of the housing tube when pump is placed with volute end on bench, to compensate for oil expansion. Fill only until the capacitor, as viewed through the fill plug hole is covered. When refilling with oil after servicing the shaft seal (30), a pressure test as per section F-1.4 should be done. If shaft seal was not disturbed during service, then apply pipe sealant and replace the pipe plug (38).



WARNING ! - DO NOT overfill oil. Overfilling of motor housing with oil can create excessive and dangerous hydraulic pressure which can destroy the pump and create a hazard. Overfilling oil voids warranty.

TABLE 1 - COOLING OIL - Dielectric	
SUPPLIER	GRADE
BP	Enerpar SE40
Conoco	Pale Paraffin 22
Mobile	D.T.E. Oil Light
G & G Oil	Circulating 22
Imperial Oil	Voltesso-35
Shell Canada	Transformer-10
Texaco	Diala-Oil-AX
Woco	Premium 100

F-1.4) Pressure Test:

Before filling the pump with oil check the pump for leaks around the shaft seal, O-rings, diaphragm and cord inlet. Apply pipe sealant to the pressure gauge assembly and tighten into fill plug hole. Pressurize housing tube to 6 P.S.I. Use a soap solution around the sealed areas and inspect joints for "air bubbles".

If, after five minutes, the pressure is still holding constant, and no “bubbles” are observed, slowly bleed the pressure and remove the gauge assembly. Replace the pipe plug using a sealant. If the pressure does not hold, then the leak must be located. If no leaks are detected fill with oil per F-1.3.



CAUTION: - Always wear eye protection when working on pumps.



CAUTION: - Pressure builds up extremely fast; increase pressure by “TAPPING” air nozzle. Too much pressure will damage seal. DO NOT exceed 6 P.S.I.

E
N
G
L
I
S
H

F-2) Impeller and Volute Service:

F-2.1) Disassembly and Inspection:

Disconnect discharge piping. Remove cap screws (16) and pull volute (1) and gasket (32) from the intermediate (5). Examine volute and gasket, replace if required. Remove set screw (39). The impeller (2) is screwed onto the motor shaft, and to loosen turn counter clockwise. Examine the impeller for pitting or wear and replace if required.

F-2.2) Reassembly:

At reassembly, make sure that the shims (3) are in place to ensure proper clearance between the impeller (2) and intermediate (5). Clearance should be approximately .03 inches. Screw impeller (2) onto motor shaft in the clockwise direction, screw in set screw (39) and tighten. Place gasket (32) and volute (1) onto intermediate (5) and insert cap screws (16) and tighten.

F-3) Strainer:

F-3.1) Disassembly and Inspection:

The screen (7) should be periodically cleaned. This is accomplished by simply removing the springs (24) and lifting off the screen.

F-3.2) Reassembly:

Slide screen (7) back on, lining up between pump supports (25) and reattach springs (24).

F-4) Diaphragm, Shaft Seal & Motor:

F-4.1) Disassembly and Inspection:

Remove volute and impeller as outlined in paragraph F-2.1. Remove screen as outlined in paragraph F-3.1. Remove pipe plug (38) and drain the oil from the pump. Loosen gland nut (13) and slide it back on the cord set (14). Remove hex nuts (22) and lock washers (23) from studs (28) and pull housing end piece (21) from the housing tube (27). Be careful not to damage diaphragm (15) when removing housing end piece (21). Disconnect cord set (14) and check for cracks or damage and replace if required. To check or replace grommet (11), remove friction rings (12) from end piece (21) and remove grommet (11), see FIGURE 6.

To replace diaphragm (15) remove cap screws (16) and plate (42) from Housing end piece (21). Remove diaphragm (15), back up ring (20), spring (19), spring guide (17) and screen (18) from housing end piece (21). Pull Housing tube (27) from intermediate (5). Remove seal spacer (40) and v-ring (41) from shaft. Loosen motor screws and pull the intermediate (5) with the shaft seal (30) from the motor (6).

NOTE: Mark location of overload in relation to intermediate (5). Remove retaining ring (4) and press seal assembly (30) out of the intermediate (5). Examine seal for signs of wear such as uneven wear pattern on stationary members, chips and scratches on either seal face. **DO NOT** interchange seal components, replace entire seal if any part shows wear or damage.

Examine o-rings (26), replace if cut or damaged. Inspect motor windings for shorts and check resistance values. Check rotor for wear, if rotor or the stator windings are defective, the complete motor must be replaced. To test the Overload, check the continuity between the black and white wires. If found to be defective contact a motor service station or Barnes Pump’s Service Department. Check motor capacitor (9) and replace if defective.

F-4.2) Reassembly:

Assemble intermediate (5) onto the motor (6), locating overload as noted above (or at the 11 o’clock position as viewed from the motor end), with the four motor bolts, with capacitor bracket (31) on one of the bolts.

Place one o-ring (26) into groove on intermediate (5) and being careful not to cut or damage o-ring (26) slide housing tube (27) onto intermediate (5). Reassemble housing end piece (21) by first placing screen (18) into end piece (21). Place spring guide (17) and spring (19) over projection on diaphragm (15). Insert back-up ring (20) into diaphragm (15) making sure lip of diaphragm (15) is in the groove of back-up ring (20). Now assemble diaphragm assembly to housing end piece (21) with plate (42) and cap screws (16). Slide capacitor (9) into bracket (31) and connect flag terminals from motor and terminal boot (8) to capacitor (9). Place o-ring (26) into groove on housing end piece (21) and slide end piece (21) into housing tube (27) being careful not to cut or damage o-ring (26). Place pump support (25) onto the lower studs (28) and place lock washers (23) and hex nuts (22) onto studs (28) and tighten.

Insert seal retaining ring (30a) along with spring (30b) onto motor shaft until seated. Lightly oil motor’s shaft (**DO NOT use grease**) and inner surface of rotating member (30c) and seal assembly bullet (see parts list-Seal Tool Kit). Place the bullet over shaft threads and with lapped surface facing out, press rotating member (30c) with a Seal Pusher (see parts list- Seal Tool Kit) onto shaft and into intermediate assembly (5) until it seats against shoulder on shaft see FIGURE 3.

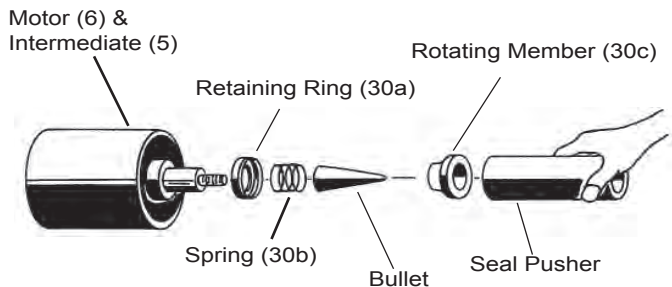


FIGURE 3

Lightly oil stationary member (30d), and with lapped surface facing motor, press stationary member (30d) with seal pusher into intermediate (5) until it seats against rotating member (30c) and replace snap ring (4), see FIGURE 4.

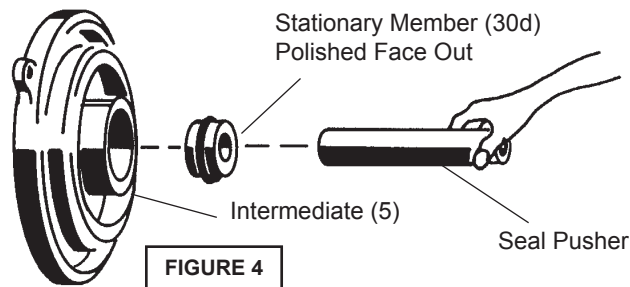


FIGURE 4

Place v-ring (41) and seal spacer (3) onto shaft until seated. Assemble volute and impeller as outlined in paragraph F-2.2. Assemble cord set (14) into housing end piece (21) as outlined in paragraph F-5. Assemble screen (7) as outlined in paragraph F-3.2. Replace oil as outlined in paragraph F-1.3 and pressure test per paragraph F-1.4.

ROTATING MEMBER (30c)
Polished Face Out.

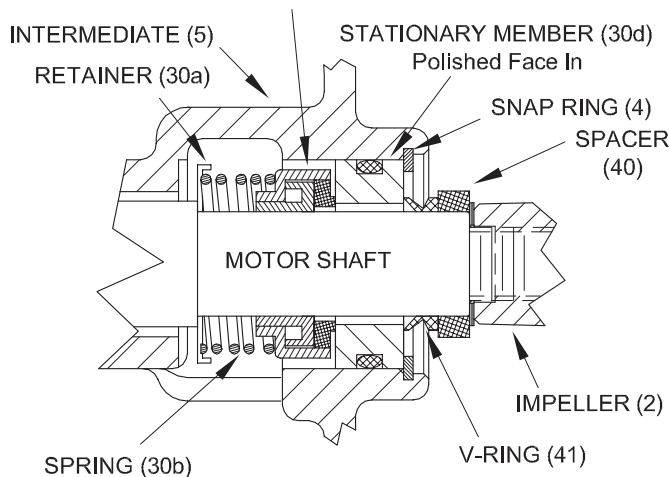


FIGURE 5

F-5) Cord Assembly:

Place gland nut (13), one friction ring (12), grommet (11) onto cord and slide cord through housing end piece (21). Make wire connections as outlined in paragraph C-3, FIGURE 2, using terminal connectors (10). Place o-ring (26) into groove on housing end piece (21) and slide end piece (21) into housing tube (27) being careful not to cut or damage o-ring (26). Place pump support (25) onto the lower studs (28) and place lock washers (23) and hex nuts (22) onto studs (28) and tighten. Insert grommet (11), friction ring (12) into housing end piece (21). Apply pipe sealant to gland nut (13) and screw into housing end piece (21). Torque gland nut (13) to 17.5 ft. lbs. to prevent water leakage see FIGURE 6.

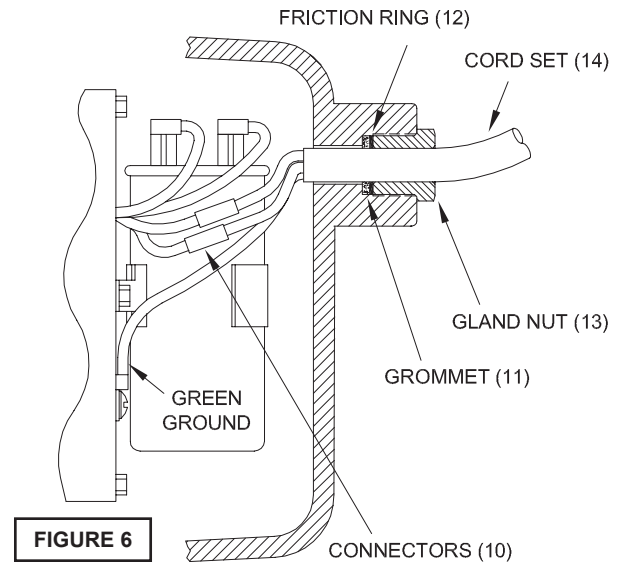


FIGURE 6

SECTION: G REPLACEMENT PARTS

G-1 ORDERING REPLACEMENT PARTS:

When ordering replacement parts, ALWAYS furnish the following information:

1. Pump serial number and date code. (G-4)
2. Pump model number. (G-3)
3. Pump part number.(G-2)
4. Part description.
5. Item part number.
6. Quantity required.
7. Shipping instructions.
8. Billing Instructions.

G-2 PART NUMBER:

The part number consist of a six (6) digit number, which appears in the catalog. A one or two letter suffix may follow this number to designate the design configuration. This number is used for ordering and obtaining information.

G-3 MODEL NUMBER:

This designation consist of numbers and letters which represents the discharge size, series, horsepower, motor phase and voltage, speed and pump design. This number is used for ordering and obtaining information.

G-4 SERIAL NUMBER:

The Serial Number block will consist of a six digit number, which is specific to each pump and may be preceded by a alpha character, which indicates the plant location. This number will also be suffixed with a four digit number, which indicates the date the unit was built (Date Code).

EXAMPLE: A012345 0490.

Reference the six digit portion (Serial Number) of this number when referring to the product.

ENGLISH

TROUBLE SHOOTING

CAUTION ! Always disconnect the pump from the electrical power source before handling. If the system fails to operate properly, carefully read instructions and perform maintenance recommendations. If operating problems persist, the following chart may be of assistance in identifying and correcting them:
MATCH "CAUSE" NUMBER WITH CORRELATING "CORRECTION" NUMBER.

NOTE: Not all problems and corrections will apply to each pump model.

PROBLEM	CAUSE	CORRECTION
Pump will not run	<ol style="list-style-type: none"> 1. Poor electrical connection, blown fuse, tripped breaker or other interruption of power, improper power supply. 2. Motor or switch inoperative (to isolate cause, go to manual operation of pump). 2a. Float movement restricted. 2c. Defective motor 3. Insufficient liquid level. 	<ol style="list-style-type: none"> 1. Check all electrical connections for security. Have electrician measure current in motor leads, if current is within $\pm 20\%$ of locked rotor Amps, impeller is probably locked. If current is 0, overload may be tripped. Remove power, allow pump to cool, then recheck current.
Pump hums but does not run	<ol style="list-style-type: none"> 1. Incorrect voltage 8. Impeller jammed or loose on shaft, worn or damaged, impeller cavity or inlet plugged. 	<ol style="list-style-type: none"> 2a. Reposition pump or clean basin as required to provide adequate clearance for float.
Pump delivers insufficient capacity	<ol style="list-style-type: none"> 1. Incorrect voltage. 4. Excessive inflow or pump not properly sized for application. 5. Discharge restricted. 6. Check valve stuck closed or installed backwards. 7. Shut-off valve closed. 8. Impeller jammed or loose on shaft, worn or damaged, impeller cavity or inlet plugged. 9. Pump may be airlocked. 10. Pump running backwards 	<ol style="list-style-type: none"> 2c. Check winding insulation (Megger Test) and winding resistance. If check is out side of range, dry and recheck. If still defective, replace per service instructions. 3. Make sure liquid level is above suction inlet. 4. Recheck all sizing calculations to determine proper pump size. 5. Check discharge line for restrictions, including ice if line passes through or into cold areas.
Pump shuts off and turns on independent of switch, (trips thermal overload protector). CAUTION! Pump may start unexpectedly. Disconnect power supply.	<ol style="list-style-type: none"> 1. Incorrect voltage. 4. Excessive inflow or pump not properly sized for application. 8. Impeller jammed, loose on shaft, worn or damaged, impeller cavity or inlet plugged. 12. Excessive water temperature. (internal protection only) 	<ol style="list-style-type: none"> 6. Remove and examine check valve for proper installation and freedom of operation. 7. Open valve. 8. Check impeller for freedom of operation, security and condition. Clean impeller cavity and inlet of any obstruction.
Pump operates noisily or vibrates excessively	<ol style="list-style-type: none"> 2c. Worn bearings, motor shaft bent. 5. Debris in impeller cavity or broken impeller 10. Pump running backwards 13. Piping attachments to buiding structure too rigid or too loose. 	<ol style="list-style-type: none"> 9. Loosen union slightly to allow trapped air to escape. 11. Repair fixtures as required to eliminate leakage. 12. Check pump temperature limits & fluid temperature. 13. Replace portion of discharge pipe with flexible connector.

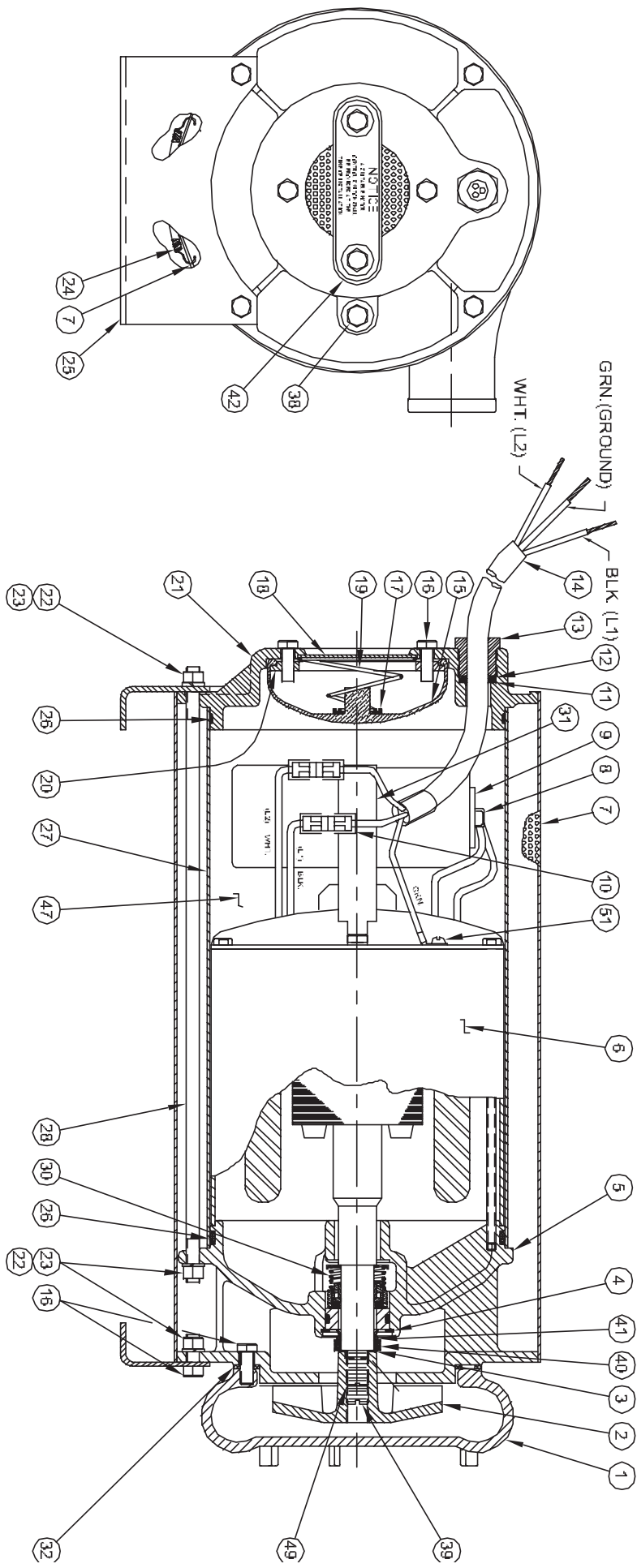


FIGURE 7

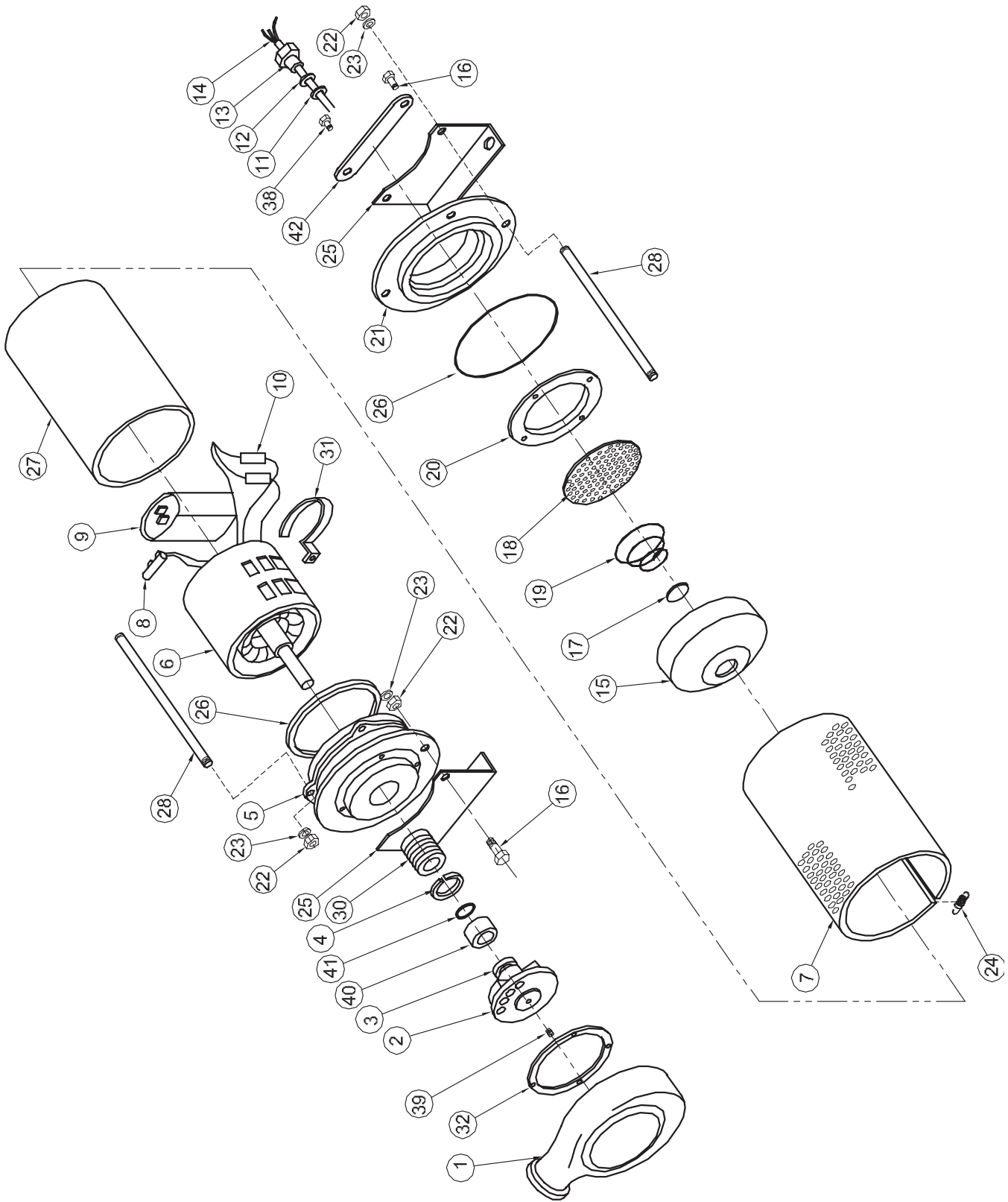


FIGURE 8

PARTS KITS

Repair Kit.....P/N: 085244 (+) 3, 4, 10, 11, 14, 15, 16, 18, 19, 22, 23, 24, 26, 30, 32, 39, 40, 41, 49
Seal Tool Kit.....P/N: 107271
Pressure Gauge Kit...P/N: 085343

PARTS LIST

ITEM	QTY	PART NO.	DESCRIPTION
1	1	093277	Volute
2	1	024331	Impeller, Bronze SFU31, SFU2W2L, 2P536
		024332	SFU51, SFU3W2L, 2P537
		024333	SFU71, SFU72, SFU4W2L,
		024333	SFU4X2L, 2P538
		024334	SFU102, SFU6X2L, 2P539
3	6	024336	Shim, .010
4	1	023702	Retaining Ring
5	1	093279	Intermediate Bearing Sleeve
6	1	023254	Motor SFU31, SFU2W2L, 2P536
		023255	SFU51, SFU3W2L, 2P537
		024308	SFU71, SFU4W2L, 2P538
		023256	SFU72, SFU4X2L
		023257	SFU102, SFU6X2L, 2P539
7	1	086625	Screen, Stainless
8	1	034322	Terminal Boot
9	1	070963	Capacitor 370V, 20MFD
		070965	Capacitor, SFU71, 2P538, SFU4W2L, 370V, 25MFD
10	2	079318	Terminal Connector
11	1	014896	Grommet
12	2	085673	Friction Ring
13	1	026857	Gland Nut
14	1	086039	Cord Set
15	1	019213	Diaphragm
16	10	1-4-1	Hex Hd Screw 1/4-20 x .625" Lg
17	1	030509	Spring Guide
18	1	023699	Screen
19	1	023459	Spring
20	1	019247	Back-Up Ring
21	1	026850	Housing End
22	10	15-5-1	Hex Nut 1/2-20, SS
23	10	20-13-1	Lock Washer 1/4" SS
24	4	023501	Spring
25	2	023316	Pump Support
26	2	016068	O-Ring
27	1	088356	Housing Tube
28	4	023695	Stud 1/4-20 x 11.812, Stainless
30	1	023701	Shaft Seal C/CE/B
31	1	039858	Capacitor Bracket
32	1	024335	Gasket
33	1	022229	Shrink Tube (Not Shown)
38	1	01691-A	Pipe Plug 1/8" NPT, Bronze
39	1	026155	Slotted Set Screw 7/16-20
40	1	025756	Spacer Seal Buna-N
41	1	056789	V-Ring Buna-N
47	7.41 pints	029034	Cooling Oil, SFU31, SFU2W2L, 2P536, SFU51, SFU3W2L, 2P537
	6.75 pints	029034	SFU71, SFU4W2L, 2P538, SFU72, SFU4X2L
	5.75 pints	029034	SFU102, SFU6X2L, 2P539
49	1	053421	Lock Washer #10, Stainless
51	1	087802	Self Tapping Screw 8-32 x .31" Lg.

E
N
G
L
I
S
H

BARNES®



burks®

WEINMAN®

DEMING®

PROSSER®

Limited 24 Month Warranty

Crane Pumps & Systems warrants that products of our manufacture will be free of defects in material and workmanship under normal use and service for twenty-four (24) months after manufacture date, when installed and maintained in accordance with our instructions. This warranty gives you specific legal rights, and there may also be other rights which vary from state to state. In the event the product is covered by the Federal Consumer Product Warranties Law (1) the duration of any implied warranties associated with the product by virtue of said law is limited to the same duration as stated herein, (2) this warranty is a LIMITED WARRANTY, and (3) no claims of any nature whatsoever shall be made against us, until the ultimate consumer, his successor, or assigns, notifies us in writing of the defect, and delivers the product and/or defective part(s) freight prepaid to our factory or nearest authorized service station. Some states do not allow limitations on how long an implied warranty lasts, so the above limitation may not apply.

THE SOLE AND EXCLUSIVE REMEDY FOR BREACH OF ANY AND ALL WARRANTIES WITH RESPECT TO ANY PRODUCT SHALL BE TO REPLACE OR REPAIR AT OUR ELECTION, F.O.B. POINT OF MANUFACTURE OR AUTHORIZED REPAIR STATION, SUCH PRODUCTS AND/OR PARTS AS PROVEN DEFECTIVE. THERE SHALL BE NO FURTHER LIABILITY, WHETHER BASED ON WARRANTY, NEGLIGENCE OR OTHERWISE. Unless expressly stated otherwise, guarantees in the nature of performance specifications furnished in addition to the foregoing material and workmanship warranties on a product manufactured by us, if any, are subject to laboratory tests corrected for field performance. Any additional guarantees, in the nature of performance specifications must be in writing and such writing must be signed by our authorized representative. Due to inaccuracies in field testing if a conflict arises between the results of field testing conducted by or for user, and laboratory tests corrected for field performance, the latter shall control. **RECOMMENDATIONS FOR SPECIAL APPLICATIONS OR THOSE RESULTING FROM SYSTEMS ANALYSES AND EVALUATIONS WE CONDUCT WILL BE BASED ON OUR BEST AVAILABLE EXPERIENCE AND PUBLISHED INDUSTRY INFORMATION. SUCH RECOMMENDATIONS DO NOT CONSTITUTE A WARRANTY OF SATISFACTORY PERFORMANCE AND NO SUCH WARRANTY IS GIVEN.**

This warranty shall not apply when damage is caused by (a) improper installation, (b) improper voltage (c) lightning (d) excessive sand or other abrasive material (e) scale or corrosion build-up due to excessive chemical content. Any modification of the original equipment will also void the warranty. We will not be responsible for loss, damage or labor cost due to interruption of service caused by defective parts. Neither will we accept charges incurred by others without our prior written approval.

This warranty is void if our inspection reveals the product was used in a manner inconsistent with normal industry practice and/or our specific recommendations. The purchaser is responsible for communication of all necessary information regarding the application and use of the product. **UNDER NO CIRCUMSTANCES WILL WE BE RESPONSIBLE FOR ANY OTHER DIRECT OR CONSEQUENTIAL DAMAGES, INCLUDING BUT NOT LIMITED TO TRAVEL EXPENSES, RENTED EQUIPMENT, OUTSIDE CONTRACTOR FEES, UNAUTHORIZED REPAIR SHOP EXPENSES, LOST PROFITS, LOST INCOME, LABOR CHARGES, DELAYS IN PRODUCTION, IDLE PRODUCTION, WHICH DAMAGES ARE CAUSED BY ANY DEFECTS IN MATERIAL AND/OR WORKMANSHIP AND/OR DAMAGE OR DELAYS IN SHIPMENT. THIS WARRANTY IS EXPRESSLY IN LIEU OF ANY OTHER EXPRESS OR IMPLIED WARRANTY, INCLUDING ANY WARRANTY OF MERCHANTABILITY OR FITNESS FOR A PARTICULAR PURPOSE.**

No rights extended under this warranty shall be assigned to any other person, whether by operation of law or otherwise, without our prior written approval.



PUMPS & SYSTEMS

A Crane Co. Company

420 Third Street
Piqua, Ohio 45356
(937) 778-8947
Fax (937) 773-7157
www.cranepumps.com

83 West Drive
Brampton, Ont. Canada L6T 2J6
(905) 457-6223
Fax (905) 457-2650

E
N
G
L
I
S
H

**IMPORTANT!
WARRANTY REGISTRATION**

Your product is covered by the enclosed Warranty.
To complete the Warranty Registration Form go to:

<http://www.cranepumps.com/ProductRegistration/>

If you have a claim under the provision of the warranty, contact your local
Crane Pumps & Systems, Inc. Distributor.

RETURNED GOODS

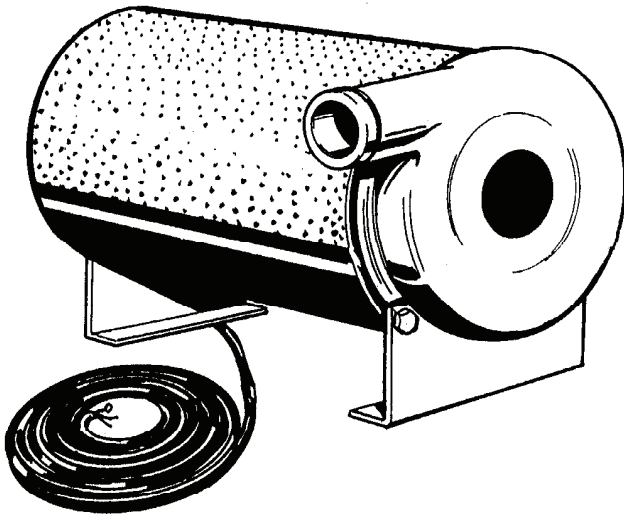
**RETURN OF MERCHANDISE REQUIRES A "RETURNED GOODS AUTHORIZATION".
CONTACT YOUR LOCAL CRANE PUMPS & SYSTEMS, INC. DISTRIBUTOR.**



**Products Returned Must Be Cleaned, Sanitized,
Or Decontaminated As Necessary Prior To Shipment,
To Insure That Employees Will Not Be Exposed To Health
Hazards In Handling Said Material. All Applicable Laws
And Regulations Shall Apply.**

BARNES®

MANUAL DE INSTALACION y OPERACION Bombas sumergibles para fuentes



**SERIE: SFU, 60Hz.
1/3 - 1 HP, 3450RPM**

**SERIE: 2P5, 60Hz.
1/3 - 1 HP, 3450RPM**

**SERIE: SFU, 50Hz.
0,19 - 0,58HP, 2850RPM
(0,14 - 0,43kW)**



Underwriters Laboratories Inc.®
Archivo No. E142177

Los productos inscritos bajo UL **NO** incluyen los
modelos de 50Hz

IMPORTANTE; *Lea todas las instrucciones en este manual antes de operar la bomba.
Debido al programa de mejoras continuas a los productos de la compañía Crane Bombas y
Sistemas es posible que se hagan cambios a los productos. Por esta razón Crane Bombas y
Sistemas se reserva el derecho de cambiar el producto sin previo aviso por escrito.*

CRANE

Una compañía Crane Co.

BOMBAS y SISTEMAS

420 Third Street
Piqua, Ohio 45356
Teléfono: (937) 778-8947
Fax: (937) 773-7157
www.cranepumps.com

83 West Drive, Bramton
Ontario, Canada L6T 2J6
Teléfono: (905) 457-6223
Fax: (905) 457-2650

Formulario No. 026882-Rev. S

CONTENIDO

ADVERTENCIAS Y PRECAUCIONES DE SEGURIDAD	3 SP
A. ESPECIFICACIONES DE LA BOMBA	4 SP
B. INFORMACION GENERAL.....	5 SP
C. INSTALACION.....	5 SP - 6 SP
DATOS ELECTRICOS DE LA BOMBA	6 SP
D. PROCEDIMIENTO DE ARRANQUE	6 SP - 7 SP
E. MANTENIMIENTO PREVENTIVO	7 SP
F. MANTENIMIENTO Y REPARACIONES.....	7 SP - 9 SP
G. PIEZAS DE REPUESTO	9 SP
RESOLUCION DE PROBLEMAS	10 SP
CORTE TRANSVERSAL (Fig. 7)	11 SP
CORTE TRANSVERSAL (Fig. 8)	12 SP
LISTA DE PIEZAS	13 SP
POLITICA DE DEVOLUCION DE PRODUCTOS.....	15 SP
GARANTIA	16 SP
REPORTES DE ARRANQUE	17 SP - 18 SP
REGISTRO DE LA GARANTIA	

HERRAMIENTAS Y EQUIPOS ESPECIALES PRUEBA DE AISLAMIENTO (MEGOHMETRO)

Otras marcas y nombres de productos son propiedad o están registradas bajo el nombre de sus respectivos dueños.

©BARNES es una marca registrada de Crane Pumps & Systems, Inc
1989, 1997, 1998, 1999, 2002, 11/03, 4/06, 8/06, 11/06

Derechos de Alteración Reservados

¡LA SEGURIDAD ES PRIMERO!

Por favor lea este documento antes de instalar u operar la bomba. Esta información se suministra para propósitos de **SEGURIDAD y para EVITAR PROBLEMAS CON LOS EQUIPOS**. La información estará indicada por los siguientes símbolos.



¡IMPORTANTE! Advierte acerca de peligros que pueden causar lesiones personales, o indica factores respecto al ensamblaje, instalación, operación o mantenimiento que, si se ignoran, pueden causar daños a la máquina o al equipo.

¡PRECAUCIÓN! Advierte acerca de peligros que, si se ignoran, pueden causar lesiones personales menores o daños materiales de menor cuantía. Se usa con los símbolos siguientes.

¡ADVERTENCIA! Advierte acerca de peligros que, si se ignoran, pueden causar lesiones personales graves, la muerte, o daños materiales mayores. Se usa con los símbolos siguientes.



Los líquidos peligrosos pueden causar incendio o explosiones, así como quemaduras o la muerte



Extremadamente caliente
El contacto puede causar quemaduras graves



Peligro biológico
Puede causar lesiones personales graves.



La presión, erupciones o explosiones peligrosas pueden causar lesiones personales o daños materiales



Maquinaria rotativa
Puede causar amputación o laceraciones graves



Voltaje peligroso - *Puede causar choque, quemaduras o la muerte*

Sólo el personal calificado debe instalar, operar y reparar la bomba. Un electricista calificado debe realizar el cableado de las bombas.



¡ADVERTENCIA! Para reducir el riesgo de choque eléctrico, las bombas y los paneles de control deben tener conexión a tierra apropiada, de conformidad con el Código Eléctrico Nacional (NEC) o el Código Eléctrico Canadiense (CEC) y todas las normativas y códigos estatales, provinciales y locales vigentes. Una conexión a tierra incorrecta invalidará la garantía.



¡ADVERTENCIA! Para reducir el riesgo de choque eléctrico, siempre desconecte la bomba de la fuente de alimentación eléctrica, antes de manipular y realizar el servicio de mantenimiento. Desconecte la alimentación eléctrica, cierre con candado y ponga un aviso.



¡PRECAUCIÓN! En pleno funcionamiento, las bombas acumulan calor y presión - deje que la bomba se enfríe antes de manipularla o darle mantenimiento.

Esta **BOMBA NO** está diseñada para uso en piscinas.



Las bombas usadas como bomba de fuente decorativa **DEBEN** utilizarse en un circuito protegido por un interruptor de falla a tierra.



¡ADVERTENCIA! No bombee sustancias peligrosas (inflamables, cáusticas, etc.) a menos que la bomba se haya diseñado y designado específicamente para procesar dichas sustancias.



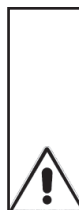
No use el cable eléctrico para levantar la bomba (si existe).



¡ADVERTENCIA! No use vestimenta holgada que pudieran enredarse en el rotor u otras piezas móviles.



¡ADVERTENCIA! Manténgase alejado(a) de las aberturas para succión y expulsión. **NO** introduzca los dedos en la bomba mientras esté conectada al suministro eléctrico.

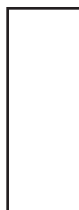


Cerciórese de que las manijas para levantar la bomba estén bien ajustadas antes de levantarla. No opere la bomba sin que las cubiertas y los dispositivos de seguridad estén instalados. Ponga siempre en su lugar los dispositivos de seguridad que se hayan retirado durante el mantenimiento o reparaciones. Fije la bomba en una posición estable de funcionamiento para que no se caiga hacia un lado, al suelo, o se deslice.

No exceda la recomendación del fabricante para obtener un funcionamiento superior, pues podría hacer que el motor se recaliente.

No retire el cordón ni el reductor de tensión. No conecte el conducto con la bomba.

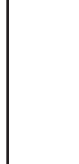
Use un control de motor aprobado, adecuado para la entrada del motor en carga plena de AMP y HP.



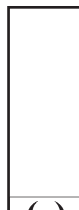
¡ADVERTENCIA! El cable debe estar protegido en todo momento para que usted evite pincharse, cortarse, golpearse y rasguñarse - inspecciónelo con frecuencia. Nunca manipule cables eléctricos conectados con las manos mojadas.



¡ADVERTENCIA! Para reducir el riesgo de descargas eléctricas, todas las conexiones del cableado y de los empalmes debe hacerse de acuerdo con el Código Eléctrico Nacional (EE.UU.) o el Código Eléctrico de Canadá además de los códigos pertinentes de su estado, provincia y localidad. Es posible que los requisitos sean distintos según el uso y la ubicación. Consulte los diagramas del cableado en el manual.



¡ADVERTENCIA! Las bombas sumergibles no han sido aprobadas para uso en piscinas de natación, instalaciones acuáticas para recreación, fuentes decorativas ni ninguna instalación en que el contacto humano con el líquido bombeado sea común.



¡ADVERTENCIA! Todo producto devuelto **Debe** limpiarse, desinfectarse o descontaminarse según se necesite antes de enviarlo, para asegurarse de que los empleados no se expongan a peligros para su salud al manipular dicho material. Todas las leyes y reglamentos pertinentes tendrán validez.



Es posible que las bombas de bronce/latón y las bombas recubiertas con bronce/latón contengan niveles de plomo que sobrepasan el nivel considerado seguro para sistemas de agua potable. Es de conocimiento general que el plomo causa cáncer y malformaciones congénitas u otros daños reproductivos. Algunas agencias gubernamentales han determinado que no se deben utilizar aleaciones de cobre tratadas con plomo en aplicaciones de agua potable. Para informarse sobre los materiales de aleación de cobre para construcción no tratados con plomo, por favor póngase en contacto con la fábrica.



Crane Bombas y Sistemas no es responsable por pérdidas, lesiones, o muertes que resulten de la inobservancia de estas precauciones de seguridad, del mal uso o del abuso de las bombas o los equipos.

SECCION: A - ESPECIFICACIONES DE LA BOMBA

DESCARGA.....Conexión de la Manguera 1-3/4" (45mm), 90° de Rotación

TEMP. DEL LIQUIDO 145°F (63°C) Continua

VOLUTA.....Bronce ASTM A4, 85-5-5-5

RODAMIENTO INTERMEDIO ..Bronce ASTM A4, 85-5-5-5

TUBO DE LA CARCASA.....Acero Inoxidable

EXTREMO DE LA CARCASA..Bronce ASTM A4, 85-5-5-5

MALLA CILINDRICA:
DiseñoÁrea, 264 pulg.² (1703CM²)
 Perforaciones de 5/32" (4mm) de diámetro
MaterialAcero inoxidable 304

PUNTOS DE APOYO DE LA BOMBA:
 Bronce

DIAFRAGMABuna-N, de Presión

ROTOR: Diseño de 60Hz.....Abierto de Cuatro Álabes, 1/3 y 1/2HP
 Abierto de Seis Álabes, 3/4 y 1HP
 Equilibrado Dinámicamente
Diseño de 50Hz.....Abierto de Cuatro Álabes, 0,19 y 0,28HP (0,14 y 0,22kW)
 Abierto de Seis Álabes, 0,43 y 0,58HP (0,32 y 0,43kW)
 Equilibrado Dinámicamente
MaterialBronce ASTM A4, 85-5-5-5

EJE.....Acero inoxidable 416

ANILLOS O.....Buna-N

OTROS COMPONENTES.....Acero Inoxidable

SELLO: Diseño.....Mecánico Único
MaterialCara giratorias - Carbón
 Caras fijas - Cerámica
 Elastómero - Buna-N
 Piezas - Acero inoxidable serie 300

ENTRADA DE CABLE
 Cordón de 3,6 m (12 pies)
 Arandela de presión para sellado y absorción de tirones

VELOCIDAD: 60Hz3450RPM (Nominal)
 50Hz.....2850RPM (Nominal)

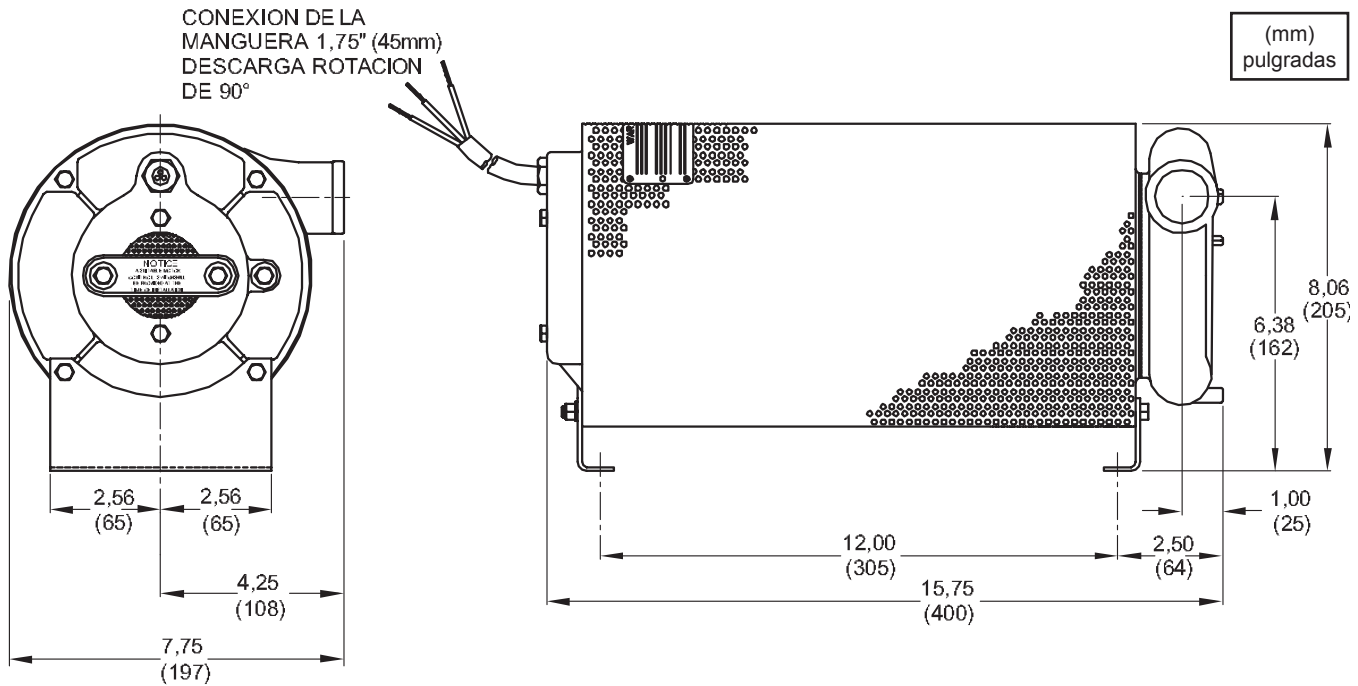
COJINETE DEL EXTREMO DEL MOTOR:
Diseño.....Bolas, de Hilera Sencilla
LubricaciónAceite
CargaRadial

COJINETE DEL EXTREMO DE LA BOMBA:
Diseño.....Manguito
LubricaciónAceite
CargaRadial y de empuje

MOTOR: DiseñoNEMA B; de Baño de aceite, De inducción de jaula de barras
AislamientoClase A

MONOFASICOCapacitor permanentemente dividido (PSC) Incluye protección contra sobrecargas en el motor.

E S P A Ñ O L



SECCION B: INFORMACION GENERAL

B-1) Mensaje al comprador:

¡Felicidades! Usted es el dueño de una de las mejores bombas en el mercado hoy en día. Las Bombas Barnes® son productos diseñados y fabricados con componentes de alta calidad. Más de cien años de experiencia en la fabricación de bombas y un programa continuo de control de calidad nos califican para producir una bomba que puede soportar los usos más exigentes.

Este manual de Barnes le proporciona información útil sobre la instalación, el mantenimiento y las pautas apropiadas para efectuar reparaciones.

B-2) Al recibir la bomba:

Al recibir la bomba debe inspeccionarla para ver si tiene daños o le falta alguna pieza. Si ha ocurrido algún daño, haga un reclamo inmediatamente al despachador que le entregó la bomba. Si saca el manual de su empaque, no lo pierda ni lo coloque en un lugar inadecuado.

B-3) Almacenamiento:

A corto plazo - Las bombas Barnes se fabrican para que funcionen de forma eficiente después de permanecer inactivas durante periodos de almacenamiento largos. Para obtener mejores resultados, las bombas pueden mantenerse en almacenamiento, tal y como se ensamblaron en la fábrica, en un entorno seco con temperaturas constantes hasta por seis (6) meses.

Largo plazo - Cualquier periodo mayor de seis (6) meses, pero no mayor de veinticuatro (24) meses. Las unidades deben almacenarse en un área de temperatura controlada, un sitio cerrado con techo y paredes que proporcione protección contra los elementos (lluvia, nieve, polvaredas, etc.), y cuya temperatura pueda mantenerse entre 4,4°C y 48,4°C (+40°F y +120°F).

Si se anticipa que habrá problemas de altos niveles de humedad, toda pieza expuesta deberá ser inspeccionada antes de almacenarse, y toda superficie que tenga pintura rayada, dañada o gastada deberá recibir otra mano de pintura con esmalte a base de agua que se seque al aire. A continuación, todas las superficies deben rociarse con un atomizador que contenga aceite antioxidante.

La bomba debe almacenarse en su recipiente original y, al encenderla por primera vez, se debe girar el rotor manualmente para garantizar que el sello y el rotor giren libremente.

Si se requiere comprobar e instalar la bomba antes del inicio del almacenamiento a largo plazo, dicha instalación se permitirá siempre y cuando:

- 1) La bomba no se instale bajo el agua durante más de un (1) mes.
- 2) Inmediatamente después de terminar de forma satisfactoria la prueba, la bomba debe retirarse, secarse completamente, empacarse de nuevo en el recipiente original, y guardarse en un área de almacenamiento de temperatura controlada.

B-4) CENTROS DE SERVICIO:

Para conocer la ubicación del Centro de servicio de las bombas Barnes más cercano, consulte su representante de Barnes o el Departamento de servicio de Barnes en Piqua, Ohio, en el número de teléfono (937) 778-8947 o Crane Pumps & Systems Canadá Inc., Brampton, Ontario (905) 457-6223.

SECCION C: INSTALACION

C-1) Ubicación:

Estas bombas se han diseñado especialmente para fuentes de agua llamativas y decorativas. Debe haber un pozo para que la bomba sumergible entera pueda asentarse en el fondo en posición horizontal de modo que se garantice que la bomba esté sumergida en todo momento. En esta posición, el colector de succión incorporado no permitirá que la unidad bombee el pozo hasta dejarlo seco, manteniendo dos terceras partes del motor sumergido, lo que provee la refrigeración adecuada.

PRECAUCION: Si la bomba se monta en posición vertical, es posible que bombee el agua hasta un nivel tan bajo que el cárter del motor quede expuesto, lo cual hará que el motor se recaliente y que el protector automático contra sobrecargas integrado se dispare.

C-2) Descarga:

Esta bomba es una unidad de alta capacidad y cabezal bajo, por lo tanto es muy importante usar tubería de un tamaño adecuado, con un mínimo de accesorios, para reducir al mínimo la pérdida de presión debido a la fricción de la tubería. Todos los modelos tienen una descarga para conexión con manguera de 4,4 cm (1-3/4 pulg.) y puede girarse en incrementos de 90°.



¡ADVERTENCIA! - PARA REDUCIR EL RIESGO DE CHOQUE ELECTRICO O MUERTE, DESCONECTE LA BOMBA DE SU FUENTE DE ELECTRICIDAD ANTES DE MANIPULARLA O REPARARLA. LA BOMBA DEBE ESTAR CONECTADA A TIERRA CORRECTAMENTE, DE ACUERDO CON EL CODIGO ELECTRICO NACIONAL (NEC), EL CODIGO ELECTRICO DE CANADA, Y CON TODOS LOS CODIGOS Y ORDENANZAS PERTINENTES DE SU ESTADO, PROVINCIA Y LOCALIDAD. ESTA BOMBA NO HA SIDO PROBADA EN PISCINAS PARA NATACION.

C-3) Conexiones eléctricas:

El motor es del tipo lleno de aceite, con capacitor permanentemente dividido y monofásico, protector automático contra sobrecargas integrado y, por lo tanto, no requiere caja de control. Conecte los cables blanco y negro del conductor del motor a los dos conductores de línea del interruptor de desconexión por fusibles, o a la caja de los cortacircuitos. Conecte el cable verde a una conexión a tierra. Consulte el CUADRO 1 para informarse sobre los tamaños de cable necesarios para conectar la fuente de electricidad con los conductores del motor, y los tamaños de fusibles.

CUADRO 1 - TAMAÑOS DE CABLES Y FUSIBLES EN PULGADAS				
CABLE TAMANO	1/3HP FUSIBLE DE 115 VOLTIOS: 20 AMP	1/2HP FUSIBLE DE 115 VOLTIOS: 25 AMP	3/4HP FUSIBLE DE 115 VOLTIOS: 30 AMP	1HP FUSIBLE DE 230 VOLTIOS: 25 AMP
Calibre 14	75	60	40	100
Calibre 12	125	100	60	150
Calibre 10	225	150	100	250

C-3.1) Cable eléctrico:

El ensamblaje de cables montado en la bomba no debe modificarse de ninguna manera excepto para recortarlo con un uso específico en mente. Todo empalme entre la bomba y el panel de control debe hacerse de acuerdo con los códigos de electricidad de su localidad. Si usa una caja de empalmes, se recomienda montarla por fuera del sumidero para evitar inundaciones. **No use el cable eléctrico para levantar la bomba.**

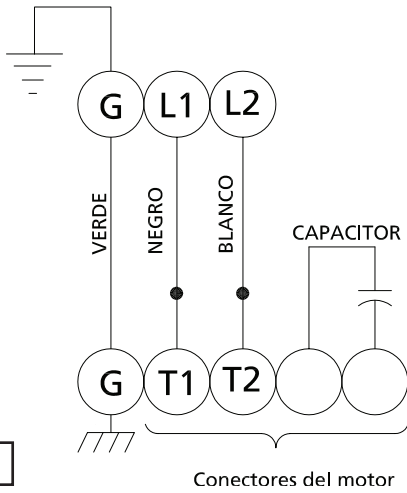


FIGURA 2

Conectores del motor

MONOFASICO - 115 y 230 VCA

CABLE ELECTRICO	CONDUCTORES DEL MOTOR
Verde (conexión a tierra)	Verde
Negro	Conector recto
Blanco	Conector recto
Capacitor	Conector bandera
Capacitor	Conector bandera

C-3.2) Protección contra sobrecargas:

C-3.2-1) Monofásico - Al tipo de protector contra sobrecargas con bobinas interiores utilizado se hace referencia como protector intrínseco contra recalentamiento y funciona por el efecto combinado de la temperatura y la corriente. Esto significa que el protector contra sobrecargas se disparará y apagará la bomba si las bobinas se calientan demasiado, o si la carga de corriente que pasa por ellas aumenta demasiado. Luego reiniciará y arrancará la bomba automáticamente cuando el motor se haya enfriado a una temperatura segura. En caso de una sobrecarga, la causa de dicha condición deberá determinarse y corregirse de inmediato.



¡NO DEJE QUE LA BOMBA EMPIECE UN NUEVO CICLO O FUNCIONE SI OCURRE UNA CONDICION DE SOBRECARGA!

Si la corriente que pasa por el protector contra sobrecarga excede los valores indicados, se debe usar un relé intermedio para control de circuitos que reduzca la corriente. De lo contrario, el protector contra sobrecarga no funcionará correctamente.

CLASIFICACIONES ELECTRICAS DE SOBRECARGAS		
VOLTIOS	AMPERIOS CONTINUOS	AMPERIOS DE ENTRADA
110-120	3.00	30.0
220-240	1.50	15.0

C-3.3) Tamaño de cables:

Consulte un electricista calificado para informarse sobre el tamaño correcto de los cables. Consulte el Cuadro para obtener información sobre la electricidad.

SECCION: D PROCEDIMIENTO DE ARRANQUE

D-1) Verifique voltajes y fases:

Antes de operar la bomba, asegúrese de que la información sobre voltajes y fases impresa en la placa de identificación de la bomba corresponde a la corriente eléctrica disponible.

D-2) Verifique la rotación de la bomba:

Antes de poner la bomba a funcionar por primera vez, se debe verificar la rotación del motor. La rotación incorrecta del motor puede ocasionar un rendimiento insatisfactorio de la bomba y puede dañar el motor y/o la bomba. Para verificar la rotación suministre electricidad por un momento y observe la "contratención de ruptura". La "contratención de ruptura" siempre debe ir en sentido contrario a las agujas del reloj cuando se observa desde el extremo de la bomba en que se ubica el motor (la "contratención de ruptura" es siempre contraria a la rotación del rotor).

E S P A Ñ O L

Modelo No	HP (kW)	Voltios/ PH	Hz	RPM (Nom)	Código de Arranque NEMA	Amperios de Carga Completa	Amperios de Rotor Bloqueado	Tamaño de Cable	Tipo de Cable	Diám. Abierto del Cable pulg. (mm)	RESISTENCIA de BOBINAS PRINC./ARRANQUE
SFU31	1/3	115/1	60	3450	J	8,0	21,0	16/3	SOW	0,395 (10)	2,26 -- 20,34
SFU51	1/2	115/1	60	3450	E	9,5	21,0	16/3	SOW	0,395 (10)	1,54 -- 16,21
SFU71	3/4	115/1	60	3450	D	12,0	28,0	16/3	SOW	0,395 (10)	0,99 -- 16,17
SFU102	1	230/1	60	3450	E	7,0	21,0	16/3	SOW	0,395 (10)	2,81 -- 15,04
2P536	1/3	115/1	60	3450	J	8,0	21,0	16/3	SOW	0,395 (10)	2,26 -- 20,34
2P537	1/2	115/1	60	3450	E	9,5	21,0	16/3	SOW	0,395 (10)	1,54 -- 16,21
2P538	3/4	115/1	60	3450	D	12,0	28,0	16/3	SOW	0,395 (10)	0,99 -- 16,17
2P539	1	230/1	60	3450	E	7,0	21,0	16/3	SOW	0,395 (10)	2,81 -- 15,04
SFU2W2L	,19 (.14)	110/1	50	2850	M	6,7	17,5	16/3	SOW	0,395 (10)	2,26 -- 20,34
SFU3W2L	,28 (.22)	110/1	50	2850	H	7,9	17,5	16/3	SOW	0,395 (10)	1,54 -- 16,21
SFU4W2L	,43 (.32)	110/1	50	2850	H	10,0	23,3	16/3	SOW	0,395 (10)	0,99 -- 16,17
SFU6X2L	,58 (.43)	220/1	50	2850	H	5,8	17,5	16/3	SOW	0,395 (10)	2,81 -- 15,04

El voltaje en el motor debe estar un ± 10% por debajo o por encima del voltaje clasificado cuando el motor esté encendido.
Resistencia de las bobinas ± 5%.

D-2.1) Rotación incorrecta para bombas monofásicas:

En el caso poco probable de que la rotación sea incorrecta para una bomba monofásica, póngase en contacto con el Centro de Servicio.

D-3) Placa de identificación:

Para consultas futuras anote los números de la placa de identificación de la bomba en EL REPORTE DE ARRANQUE incluido en la parte trasera del manual.

D-4) Reporte de arranque:

Se han incluido dos copias del reporte de arranque en la parte trasera de este manual. Estos reportes deben llenarse siempre que sea necesario. Envíe una copia a Barnes Pumps y guarde la segunda en el panel de control o junto con el manual de la bomba si no se usa el panel. Es importante registrar estos datos durante el primer arranque ya que será útil tenerlos como referencia cuando se dé mantenimiento a la bomba en el futuro.

Prueba de aislamiento:

Antes de poner la bomba a funcionar por primera vez, se debe llevar a cabo una prueba de aislamiento (megóhmetro) en el motor. Anote los valores de ohmios, además de los voltios y los amperios en el reporte de arranque y guárdelo en el panel de control o junto con el manual de la bomba si no se usa el panel.

SECCION E: MANTENIMIENTO PREVENTIVO

Ya que el motor es del tipo lleno de aceite, no se necesitan lubricantes u otro tipo de mantenimiento, y por lo general las bombas Barnes proporcionarán un servicio muy fiable. Se puede esperar que funcionen durante años sin fallos. Sin embargo, al igual que con todo equipo mecánico, se recomienda un programa de mantenimiento preventivo y se sugieren las siguientes inspecciones:

- 1) Examine la cámara del motor para comprobar el nivel de aceite y la contaminación, y haga las reparaciones necesarias según la sección F-1.
- 2) Examine el rotor y el armazón para ver si hay acumulación excesiva u obstrucciones y haga las reparaciones necesarias según la sección F-2.
- 3) Inspeccione y limpie el filtro cuando sea necesario según la sección F-3.
- 4) Examine el sello para ver si hay fugas y haga las reparaciones necesarias según la sección F-4.

SECCION F: MANTENIMIENTO Y REPARACIONES

NOTA: Todos los números de artículos que aparecen en () hacen referencia a las Figuras 7 y 8.



¡ADVERTENCIA! - LA CORRIENTE ELECTRICA HACIA EL MOTOR DE LA BOMBA DEBE DESCONECTARSE Y BLOQUEARSE PARA EVITAR RIESGOS ELECTRICOS O PELIGROS PARA EL PERSONAL ANTES DE DARLE CUALQUIER TIPO DE MANTENIMIENTO A LA BOMBA.



¡PRECAUCION! - EN PLENO FUNCIONAMIENTO, LA BOMBA ACUMULA CALOR Y PRESION; DEJE QUE LA BOMBA SE ENFRIE DURANTE SUFICIENTE

TIEMPO A TEMPERATURA AMBIENTE ANTES DE MANIPULARLA O DARLE MANTENIMIENTO.

F-1) Lubricación:

Siempre que la bomba no esté funcionando, y al menos cada doce (12) meses, el aceite refrigerante en el tubo del cárter (Ref. No. 27) debe examinarse visualmente para comprobar el nivel de aceite y de contaminación.

F-1.1) Cómo examinar el aceite:

Para examinar el aceite, ponga la unidad en posición vertical. Retire el tapón del tubo (38). Con una linterna, examine visualmente el aceite dentro del tubo del cárter (27) para asegurarse de que esté limpio, claro, y que su nivel esté por encima de todos los componentes internos. Si el aceite parece estar en condiciones satisfactorias, vuelva a poner el tapón del tubo en su lugar. Si el nivel de aceite parece bajo, o el aceite parece contaminado, compruébelo tal como se indica en la sección F-1.2.

F-1.2) Cómo verificar el aceite:

1. Coloque la bomba sobre uno de sus lados, retire el tapón del tubo (38) y vacíe el aceite en un recipiente limpio y seco.
2. Verifique si hay contaminación del aceite con un comprobador de aceite que tenga un alcance de tensión disruptiva de 30 kilovoltios.
3. Si descubre que el aceite está limpio y no contaminado (tiene una tensión disruptiva que mide por encima de 15 KV.), llene el cárter del motor de la bomba tal como se indica en la sección F-1.3.
4. Si descubre que el aceite está sucio o contaminado (o tiene una tensión disruptiva que mide por debajo de 15 KV.) la bomba debe examinarse cuidadosamente para ver si hay fugas en el sello del eje (30), la tuerca estancadora (13), los anillos O (26), el diafragma (15) y el tapón del tubo (38) antes de llenarla con aceite. Para ubicar la fuga, lleve a cabo una prueba de presión tal como se indica en la sección F-1.4. Cuando haya reparado la fuga, llene con aceite nuevo tal como se indica en la sección F-1.3

F-1.3) Cómo reemplazar el aceite en el cárter del motor

Vacíe todo el aceite del tubo del cárter y deséchelo apropiadamente. Llénelo con aceite refrigerante nuevo (consulte la lista de piezas para informarse sobre la cantidad) tal como se indica en el CUADRO 2. Se debe dejar un espacio para aire en la parte superior del tubo del cárter cuando la bomba se coloca con el extremo de la voluta sobre el banco, a fin de compensar la expansión de aceite. Llène sólo hasta que el capacitor esté cubierto, lo que se ve a través del orificio del tapón de llenado. Siempre que llene con aceite después de haberle dado mantenimiento al sello del eje (30), se debe realizar una prueba de presión tal como se indica en la sección F-1.4. Si no se tocó el sello del eje durante el mantenimiento, aplique sellador para tubería y reemplace el tapón del tubo (38).



¡ADVERTENCIA! - NO LLENE CON DEMASIADO ACEITE SI SE LLENA EL CARTER DEL MOTOR CON DEMASIADO ACEITE SE PUEDE CREAR UNA PRESION HIDRAULICA EXCESIVA Y PELIGROSA QUE PUEDE DESTRUIR LA BOMBA Y CREAR UNA SITUACION RIESGOSA. LLENAR CON DEMASIADO ACEITE ANULA LA GARANTIA.

CUADRO 2 - ACEITE REFRIGERANTE, Dieléctrico	
PROVEEDOR	CLASE
BP	Enerpar SE40
Conoco	Pale Paraffin 22
Mobile	D.T.E. Oil Light
G & G Oil	Circulating 22
Imperial Oil	Voltesso-35
Shell Canada	Transformer-10
Texaco	Diala-Oil-AX
Woco	Premium 100

F-1.4) Prueba de presión:

Antes de llenar la bomba con el petróleo comprueban la bomba para agujeros alrededor del sello de eje, O-anillos, diafragma y entrada de cuerda. Aplique el sellador de tubo a la asamblea de manómetro y apriétese en llenan el agujero de enchufe. Presurice el tubo de alojamiento a 6 P.S.I. Use una solución de jabón alrededor de las áreas selladas e inspeccione uniones para "burbujas de aire".

Si, después de cinco minutos, la presión todavía sostiene la constante, y ningunas "burbujas" son observadas, despacio sangran la presión y quitan la asamblea de medida. Sustituya el enchufe de tubo usando un sellador. Si la presión no sostiene, entonces el agujero debe ser localizado. Si ningunos agujeros son descubiertos se llenan del petróleo por F-1.3.



¡PRECAUCION! - USE SIEMPRE PROTECCION PARA LOS OJOS CUANDO TRABAJE CON BOMBAS.



¡PRECAUCION! - LA PRESION AUMENTA A GRAN VELOCIDAD; AUMENTE LA PRESION "TOCANDO" LA BOQUILLA PARA AIRE. DEMASIADA PRESION DAÑARA EL SELLO. NO EXCEDA LOS 4,218.6 kg/m² (6 PSI).

F-2) Mantenimiento del rotor y la voluta:

F-2.1) Desensamblaje e inspección:

Desconecte la tubería de descarga. Retire los tornillos ciegos (16) y levante la voluta (1) y la arandela (32) del material intermedio (5). Examine la voluta y la arandela y reemplácela(s) si es necesario. Retire el tornillo prisionero (39). El rotor (2) está atornillado en el eje del motor; para soltarlo, gírelo en sentido contrario a las agujas del reloj. Examine el rotor para ver si hay marcas, o desgaste y reemplácelo si es necesario.

F-2.2) Reensamblaje:

En el momento de reensamblarlo, asegúrese de que las frisas (3) estén en su sitio para garantizar que haya suficiente espacio entre el rotor y (2) el material intermedio (5). El espacio debe ser de aproximadamente 0,76 mm (0,03 pulgadas). Atornille el rotor (2) en el eje del motor en sentido de las agujas del reloj, atornille el tornillo prisionero (39) y apriételo. Coloque la arandela (32) y la voluta (1) sobre el material intermedio (5), inserte los tornillos ciegos (16), y apriételes.

F-3) Criba:

F-3.1) Desensamblaje e inspección:

El filtro (7) debe limpiarse periódicamente. Para hacerlo se retiran los resortes (24) y se tira de ellos hacia afuera del filtro.

F-3.2) Reensamblaje:

Vuelva a deslizar el filtro (7) en su sitio, alineándolo entre los soportes de la bomba (25) y fije los resortes (24).

F-4) Diafragma, Sello del eje y motor:

F-4.1) Desensamblaje e inspección:

Retire la voluta y el rotor tal como se indica en el párrafo F-2.1. Retire el filtro tal como se indica en el párrafo F-3.1. Retire el tapón del tubo (38) y vacíe el aceite de la bomba. Afloje la tuerca estancadora (13) y deslícela sobre el juego de cables (14). Retire las tuercas hexagonales (22) y las arandelas de bloqueo (23) de las tachuelas (28) y levante la pieza del extremo del cárter (21) del tubo del cárter (27).

Tenga cuidado de no dañar el diafragma (15) al retirar la pieza del extremo del cárter (21). Desconecte el juego de cables (14) y examínelo para ver si tiene grietas o daños y reemplácelo si es necesario. Para inspeccionar o reemplazar la arandela (11), remueva los anillos de fricción (12) de la pieza del extremo del cárter (21), y remueva la arandela (11), vea la Figura 6.

Para reemplazar el diafragma (15) retire los tornillos ciegos (16) y la placa (42) de la pieza del extremo del cárter (21). Retire el diafragma (15), el tornillo de repuesto (20), el resorte (19), la guía para el resorte (17) y el filtro (18) de la pieza del extremo del cárter (21). Tire del tubo del cárter (27) en el material intermedio (5). Retire el espaciador del sello (40) y el anillo en "V" (41) del eje. Afloje los tornillos del motor y tire del material intermedio (5) junto con el sello del eje (30) del motor (6).

NOTA: Marque la ubicación de la sobrecarga en relación con la materia intermedia (5). Retire el anillo de retención (4) y presione el ensamblaje del sello (30) hacia afuera del material intermedio (5). Inspeccione el sello para ver si hay evidencia de desgaste como, por ejemplo, un patrón de desgaste irregular en las piezas fijas, desportilladuras y rasguños en cualquiera de las caras del sello. NO intercambie los componentes del sello; reemplace el sello entero si se observa desgaste o daños en cualquier pieza.

Examine los anillos O (26) y reemplácelos si han sido cortados o dañados. Examine la bobina del motor para comprobar que no haya cortocircuitos y verifique los valores de resistencia. Examine el rotor para ver si hay evidencia de desgaste. Si el rotor o las bobinas del estator son defectuosos, habrá que reemplazar el motor entero. Para comprobar el protector contra sobrecarga, verifique la continuidad entre los filamentos negros y blancos. Si descubre que es defectuoso, póngase en contacto con un centro de servicio para motores o el Departamento de servicio de Barnes Pumps. Revise el capacitor del motor (9) y reemplácelo si está defectuoso.

F-4.2) Reensamblaje:

Coloque el material intermedio (5) sobre el motor (6), y ubique el protector de sobrecarga tal como se describió arriba (o en la posición de las agujas del reloj para las once cuando se ve desde el extremo del motor), con los cuatro pernos del motor, y con la abrazadera del capacitor (31) sobre uno de los pernos.

Coloque un anillo O (26) dentro de la muesca en el material intermedio (5) y tenga cuidado de no cortar ni dañar el anillo O (26), deslice el tubo del cárter (27) sobre el material intermedio (5). Reensamble la pieza del extremo del cárter (21) insertando primero el filtro (18) en la pieza del extremo del cárter (21). Coloque la guía para el resorte (17) y el resorte (19) sobre la proyección del diafragma (15). Inserte el anillo de repuesto (20) en el diafragma (15) asegurándose de que el borde del diafragma (15) esté insertado en la muesca del anillo de repuesto (20).

Arme el ensamblaje del diafragma con la pieza del extremo del cárter (21) con la placa (42) y los tornillos ciegos (16). Deslice el capacitor (9) en la abrazadera (31) y conecte los terminales de marca del motor y el aislador del terminal (8) con el capacitor (9). Inserte el anillo O (26) en la muesca de la pieza del extremo del cárter (21) y deslice la pieza del extremo del cárter (21) dentro del tubo del cárter (27) teniendo cuidado de no cortar ni dañar el anillo O (26). Coloque el soporte de la bomba (25) sobre las tachuelas inferiores (28) y coloque las arandelas de bloqueo (23) y las tuercas hexagonales (22) sobre las tachuelas (28) y apriételes.

Inserte el anillo de retención del sello (30a) junto con el resorte (30b) sobre el eje del motor hasta que se asiente. Aplique un poco de aceite (NO use grasa) en el eje del motor y la superficie interior de la pieza giratoria (30c) y la bala del ensamblaje del sello (consulte la lista de piezas-Juego de herramientas para el sello). Coloque la bala sobre el roscado del eje con la superficie recubierta apuntando hacia afuera, presione la pieza giratoria (30c) usando un Aparato para empujar sellos (consulte la lista de piezas-Juego de herramientas para el sello) sobre el eje y dentro del ensamblaje intermedio (5) hasta que se asiente contra el borde del eje, vea la FIGURA 3.

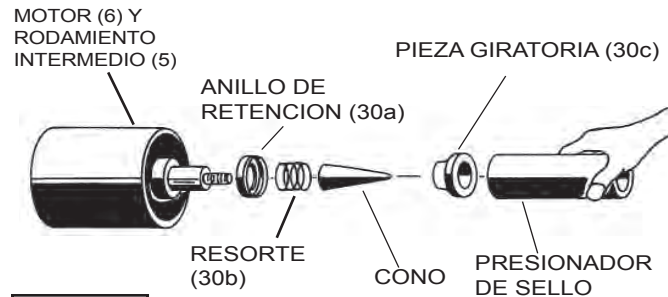


FIGURA 3

Aplique un poco de aceite en la pieza fija (30d) con la superficie recubierta apuntando hacia el motor, presione la pieza fija (30d) usando el Aparato para empujar sellos dentro del material intermedio (5) hasta que se asiente sobre la pieza giratoria (30c) y reemplace el anillo activado a presión (4), vea la FIGURA 4.

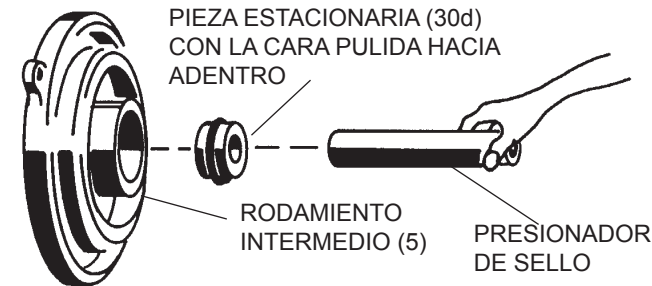


FIGURA 4

Coloque el anillo en "V" (41) y el espaciador del sello (3) sobre el eje hasta que se asienten. Ensamble la voluta y el rotor tal como se indica en el párrafo F-2.2. Ensamble el juego de cables (14) en la pieza del extremo del cárter (21) tal como se indica en el párrafo F-5. Ensamble el filtro (7) tal como se indica en el párrafo F-3.2. Reemplace el aceite tal como se indica en el párrafo F-1.3 y realice una prueba de presión tal como se indica en el párrafo F-1.4.

F-5) Ensamblaje de cables:

Coloque una tuerca estancadora (13), un anillo de fricción (12), una arandela (11) en el cable y deslice el cable por la pieza del extremo del cárter (21). Conecte los cables tal como se indica en el párrafo C-3, FIGURA 2, usando los conectores de terminales (10). Inserte el anillo O (26) en la muesca de la pieza del extremo del cárter (21) y deslice la pieza del extremo del cárter (21) dentro del tubo del cárter (27) teniendo cuidado de no cortar ni dañar el anillo O (26). Coloque el soporte de la bomba (25) sobre las tachuelas inferiores (28) y coloque las arandelas de bloqueo (23) y las tuercas hexagonales (22) sobre las tachuelas (28) y apriételas.

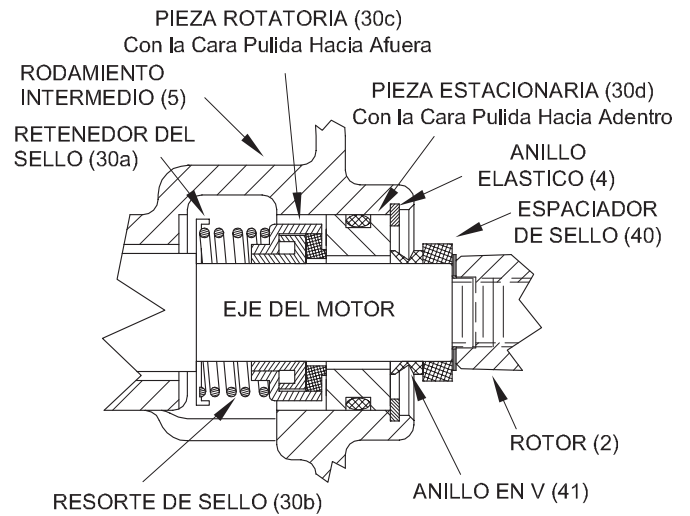


FIGURA 5

Inserte una arandela (11) y un anillo de fricción (12), en la pieza del extremo del cárter (21). Aplique sellador para tubería a la tuerca estancadora (13) y atorníllela en el cárter del motor (21). Aplique una fuerza de torsión de 23,727 Nm (17,5 pies/lb.) a la tuerca estancadora para evitar fugas, vea la FIGURA 6.

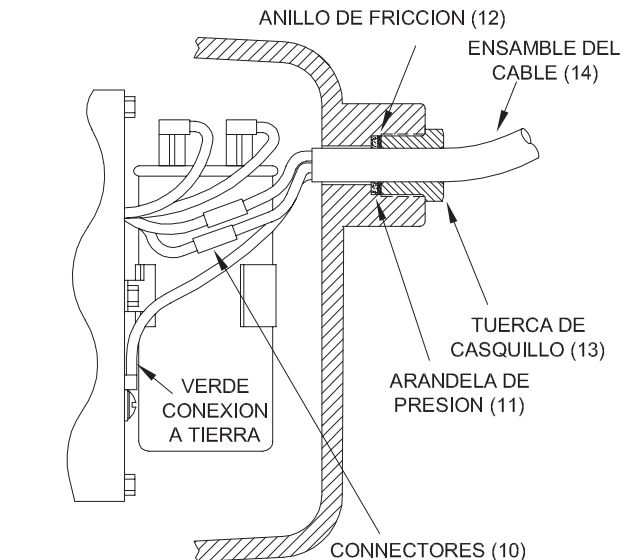


FIGURA 6

SECCION: G. PIEZAS DE REPUESTO

G-1 COMO SOLICITAR LAS PIEZAS DE REPUESTO:

Cuando solicite piezas de repuesto, incluya SIEMPRE la siguiente información:

1. Número de serie de la bomba y el código de la fecha. (G-4)
2. Número de modelo de la bomba. (G-3)
3. Número de pieza de la bomba.(G-2)
4. Descripción de la pieza.
5. Número de pieza del artículo.
6. Cantidad requerida.
7. Instrucciones sobre el envío.
8. Instrucciones sobre la facturación.

G-2 NUMERO DE PIEZA:

El número de pieza es un número de seis (6) cifras que aparece en el catálogo. Es posible que un sufijo de uno o dos letras acompañe el número para indicar la especificación del diseño. Se usa este número para pedidos y para obtener información.

G-3 NUMERO DE MODELO:

Esta especificación cuenta con números y letras que representan el tamaño de descarga, la serie, los caballos de fuerza, la fase y el voltaje del motor, la velocidad y el diseño de la bomba. Se usa este número para pedidos y para obtener información.

G-4 NUMERO DE SERIE:

El bloque del Número de serie consiste en un número de seis cifras, el cual identifica una bomba específica, y tal vez lo preceda una letra, la cual indica la ubicación de la fábrica. Además, este número tendrá un sufijo de cuatro cifras, el cual indica la fecha de fabricación de la unidad (Código de fecha).
EJEMPLO: A012345 0490.

Para hacer referencia al producto, use la parte de seis cifras (el Número de serie) de este bloque.

RESOLUCION DE PROBLEMAS

¡PRECAUCION! Desconecte siempre la bomba de la fuente de electricidad antes de manipularla.

Si el sistema no funciona correctamente, lea las instrucciones atentamente y realice el mantenimiento recomendado.

Si los problemas de funcionamiento no se corrigen, la siguiente guía puede ayudar a identificarlos y corregirlos.

CORRELACIONE EL NUMERO DE LA “CAUSA” CON EL NUMERO DE LA “MEDIDA CORRECTIVA” QUE CORRESPONDA.

NOTA: No todos los problemas y medidas correctivas son válidos para cada modelo de bomba.

PROBLEMA	CAUSA	SOLUCION
La bomba no se enciende.	<ol style="list-style-type: none"> 1. Conexión eléctrica inadecuada, fusible fundido, cortacircuitos disparado, u otra interrupción del suministro eléctrico; suministro eléctrico incorrecto. 2. Motor o interruptor no funciona (para determinar la causa, elija operar la bomba manualmente). 2a. Movimiento restringido del flotador. 2b. El interruptor no activa la bomba o es defectuoso. 2c. Motor defectuoso. 3. Nivel de líquido insuficiente. 	<ol style="list-style-type: none"> 1. Inspeccione todas las conexiones eléctricas por razones de seguridad. Haga que un electricista mida la corriente en los conductores del motor; si la corriente está dentro de $\pm 20\%$ de los amperios del rotor bloqueado, el rotor probablemente está bloqueado. Si la corriente es 0, es posible que el mecanismo de sobrecarga se haya disparado. Desconecte el suministro eléctrico, deje que la bomba se enfríe, y luego vuelva a comprobar la corriente.
La bomba zumba pero no funciona.	<ol style="list-style-type: none"> 1. Voltaje incorrecto. 8. El rotor está atascado o no está fijo en el eje, desgastado o dañado, la cavidad del rotor o entrada están obstruidos. 	<ol style="list-style-type: none"> 2a. Mueva la bomba a otra posición o limpie la cuenca para dejar suficiente espacio para el flotador. 2c. Verifique el aislamiento de las bobinas (Prueba del megóhmetro) y la resistencia de las bobinas. Si los valores de la prueba están fuera del alcance, seque y vuelva a comprobar. Si todavía hay defectos, reemplace de acuerdo con las instrucciones de mantenimiento.
La bomba no proporciona capacidad suficiente.	<ol style="list-style-type: none"> 1. Voltaje incorrecto. 4. Flujo excesivo o la bomba no es del tamaño adecuado para el uso. 5. Descarga restringida. 6. La válvula de retención está atascada en la posición cerrada o instalada al revés. 7. La válvula de cierre está cerrada. 8. El rotor está atascado o no está fijo en el eje, desgastado o dañado, la cavidad del rotor o entrada están obstruidos. 9. Es posible que la bomba esté bloqueada por aire. 	<ol style="list-style-type: none"> 3. Cerciórese de que el nivel de líquido sea al menos igual al punto sugerido de encendido. 4. Vuelva a comprobar los cálculos de tamaño para determinar el tamaño de bomba correcto. 5. Examine el conducto de descarga para ver si hay restricciones, incluyendo hielo si el conducto pasa a través de, o dentro de áreas frías.
La bomba se apaga y se enciende sin importar la posición del interruptor. (activa el protector contra sobrecargas térmicas). ¡PRECAUCION! La bomba podría encenderse inesperadamente. Desconecte el suministro eléctrico.	<ol style="list-style-type: none"> 1. Voltaje incorrecto. 4. Flujo excesivo o la bomba no es del tamaño adecuado para el uso. 8. El rotor está atascado, no está fijo en el eje, desgastado o dañado, cavidad del rotor o entrada están obstruidos. 12. La temperatura del agua es excesiva (protección interna solamente). 	<ol style="list-style-type: none"> 6. Retire y examine la válvula de retención para comprobar la instalación y el espacio de operación. 7. Abra la válvula. 8. Examine el rotor para comprobar el espacio para operación, la seguridad y las condiciones. Limpie toda obstrucción de la cavidad del rotor y la entrada. 9. Afloje la unión ligeramente para dejar que salga el aire atrapado. Verifique que el nivel de apagado del interruptor se ha ajustado de forma que la cavidad del rotor siempre esté inundada. Limpie el orificio de ventilación.
Cuando la bomba funciona, hace mucho ruido o vibra de manera excesiva.	<ol style="list-style-type: none"> 2c. Cojinetes gastados, eje del motor doblado. 8. Partículas dentro de la cavidad del rotor o rotor dañado. 10. La bomba funciona al revés. 13. Los acoplamientos entre los tubos y la estructura son demasiado rígidos o demasiado flojos. 	<ol style="list-style-type: none"> 11. Repare los accesorios según sea necesario para eliminar fugas. 12. Verifique los límites de temperatura de la bomba y la temperatura de los líquidos. 13. Reemplace una porción del tubo de descarga con un conector flexible.

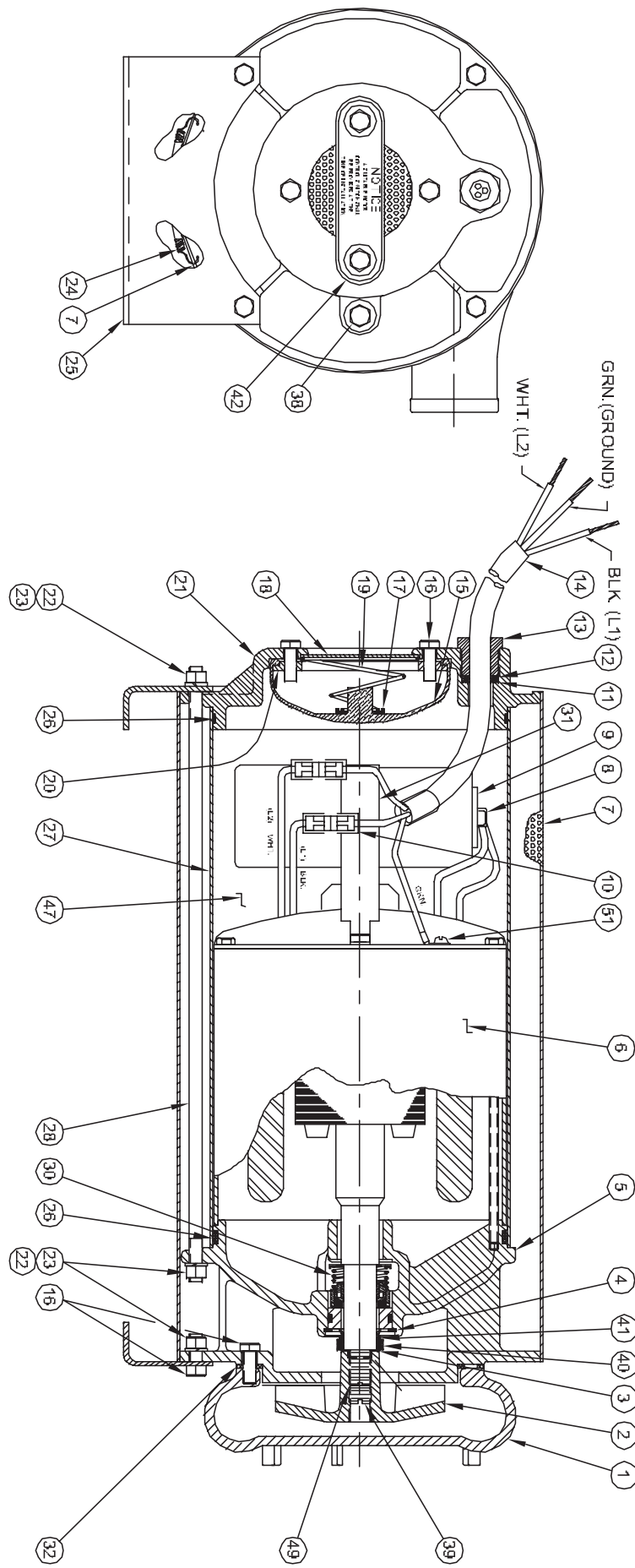


FIGURA 7

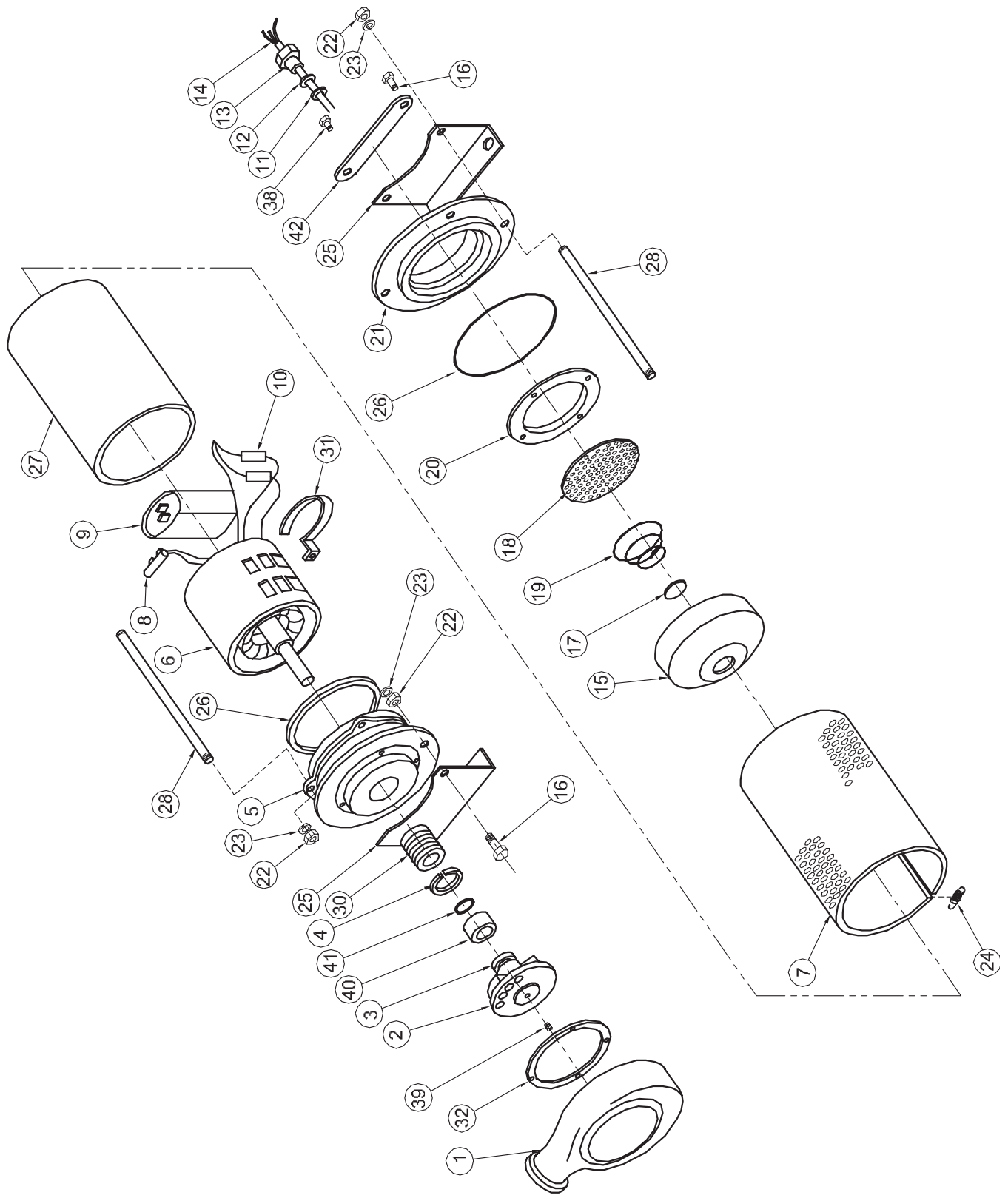


FIGURA 8

JUEGOS DE PIEZAS

Juegos de reparaciónNo. de Pieza - 085244 (+) 3,4,10,11,14,15,16,18,19,22,23,24, 26, 30, 32, 39, 40,41,49

Juegos de herramientas para el sello.....T/L: 107271

Juegos de calibrador de presión.....No. de Pieza: 085343

LISTA DE PIEZAS

ARTICULO	CANT.	NO. DE PIEZA	DESCRIPCION
1	1	093277	Voluta
2	1	024331	Rotor, Bronce SFU31, SFU2W2L, 2P536
		024332	SFU51, SFU3W2L, 2P537
		024333	SFU71, SFU72, SFU4W2L,
		024333	SFU4X2L, 2P538
		024334	SFU102, SFU6X2L, 2P539
3	6	024336	+ Frisa, 0,010
4	1	023702	+ Anillo de retención
5	1	093279	Manguito del cojinete intermedio
6	1	023254	Motor SFU31, SFU2W2L, 2P536
		023255	SFU51, SFU3W2L, 2P537
		024308	SFU71, SFU4W2L, 2P538
		023256	SFU72, SFU4X2L
		023257	SFU102, SFU6X2L, 2P539
7	1	086625	Filtro, Inoxidable
8	1	034322	Aislador del terminal
9	1	070963	Capacitor 370V, 20MFD
		070965	Capacitor, SFU71, 2P538, SFU4W2L, 370V, 25MFD
10	2	079318	+ Conector del terminal
11	1	014896	+ Arandela
12	2	085673	Anillo de fricción
13	1	026857	Tuerca estancadora
14	1	086039	+ Juego de cables
15	1	019213	+ Diafragma
16	10	1-4-1	+ Tornillo de cabeza hexagonal 1/4-20 x 0,625 pulg. de largo
17	1	030509	Guía para el resorte
18	1	023699	+ Filtro
19	1	023459	+ Resorte
20	1	019247	Anillo de repuesto
21	1	026850	Extremo del cárter
22	10	15-5-1	+ Tuerca hexagonal 1/2-20, SS
23	10	20-13-1	+ Arandela de bloqueo 1/4 de pulg. SS
24	4	023501	+ Resorte
25	2	023316	SopORTE de la bomba
26	2	016068	+ Anillo O
27	1	088356	Tubo del cárter
28	4	023695	Tachuela 1/4-20 x 11,812, Inoxidable
30	1	023701	+ Sello del eje C/CE/B
31	1	039858	Abrazadera del capacitor
32	1	024335	+ Junta
33	1	022229	Tubo de contracción (no se muestra)
38	1	01691-A	Tapón del tubo 1/8 de pulg. NPT, Bronce
39	1	026155	+ Tornillo prisionero ranurado 7/16-20
40	1	025756	+ Sello del espaciador Buna-N
41	1	056789	+ Anillo en "V" Buna-N
47	3.5 Litros	029034	Aceite refrigerante, SFU31, SFU2W2L, 2P536, SFU51, SFU3W2L, 2P537
	3.2 Litros	029034	SFU71, SFU4W2L, 2P538, SFU72, SFU4X2L
	2.7 Litros	029034	SFU102, SFU6X2L, 2P539
49	1	053421	+ Arandela de bloqueo #10, Inoxidable
51	1	087802	Tornillo autorroscante 8-32 x 0,31 pulg. de largo

BARNES®**BARNES®**
PRESSURE **PS** SYSTEMS**burks®****WEINMAN®****DEMING®****PROSSER®**

Garantie limitée de 24 mois

Crane Pumps & Systems garantit ses produits contre tout défaut de matériaux et de main d'œuvre, dans des conditions d'utilisation et d'entretien normaux, pendant les vingt-quatre (24) mois suivant leur date de fabrication, lorsqu'ils sont installés et entretenus conformément à nos instructions. La présente garantie vous donne des droits spécifiques et il se peut que vous bénéficiiez d'autres droits qui varient d'une juridiction à l'autre. Même si le produit est couvert par la loi sur les garanties relatives aux produits de consommation (1) la durée de toutes les garanties implicites couvrant le produit aux termes de la loi en question est limitée à celle stipulée aux présentes, (2) la présente garantie est une GARANTIE LIMITÉE, et (3) aucune plainte de quelque nature que ce soit ne peut être déposée contre nous jusqu'à ce que le consommateur final, son ayant-droit ou ses cessionnaires nous avertisse(nt) par écrit du défaut, et expédie(nt) le produit et/ou sa(ses) pièce(s) défectueuse(s), port payé, à notre usine ou au centre de réparation agréé le plus proche. Certaines juridictions interdisent la limitation de durée d'une garantie implicite; les limitations ci-dessus pourraient donc ne pas s'appliquer à votre cas. LE SEUL RECOURS EXCLUSIF POUR TOUTE VIOLATION DE TOUTE GARANTIE COUVRANT TOUT PRODUIT EST LE REMPLACEMENT OU LA RÉPARATION DU PRODUIT, À NOTRE DISCRÉTION, FRANCO À BORD AU SITE DE PRODUCTION OU AU CENTRE DE RÉPARATION AGRÉÉ, SI UN TEL PRODUIT ET/OU PIÈCES EST(SONT) DÉCLARÉ(E)S DÉFECTUEUX(SES). NOUS N'ASSUMONS AUCUNE AUTRE RESPONSABILITÉ, QU'ELLE SOIT BASÉE SUR LA GARANTIE, UNE NÉGLIGENCE OU AUTRE CHOSE. À moins que le contraire ne soit expressément stipulé, des garanties telles que les spécifications de performance fournies en plus des garanties de matériaux et de main d'œuvre ci-dessus couvrant un produit que nous avons fabriqué font, le cas échéant, l'objet de tests de laboratoire corrigés afin de tenir compte des performances sur le terrain. Toute garantie supplémentaire, telles des spécifications de performance, doit être faite par écrit, et un tel document doit être signé par notre représentant autorisé. Étant donné les imprécisions des tests sur le terrain, si les résultats de tests sur le terrain réalisés par ou pour l'utilisateur diffèrent de ceux des tests de laboratoire corrigés en fonction des performances sur le terrain, ces derniers auront prééminence.

TOUTE RECOMMANDATION POUR DES APPLICATIONS SPÉCIALES OU LIÉES À DES ANALYSES SYSTÈMES ET DES ÉVALUATIONS QUE NOUS EFFECTUONS SERA BASÉE SUR NOTRE EXPÉRIENCE LA PLUS EXACTE ET DES INFORMATIONS PUBLIÉES AU SEIN DE L'INDUSTRIE. DE TELLES RECOMMANDATIONS NE REPRÉSENTENT PAS UNE GARANTIE DE PERFORMANCES SATISFAISANTES ET AUCUNE GARANTIE DE CE GENRE N'EST FOURNIE. La présente garantie n'entrera pas en vigueur si le produit est endommagé par (a) une mauvaise installation, (b) une tension erronée (c) la foudre (d) trop de sable ou de matériau abrasif, (e) des dépôts de tartre ou de la corrosion occasionnés par trop de produits chimiques. Toute modification de l'équipement d'origine annulera aussi la garantie. Nous ne pouvons en aucun cas être tenus responsables de toute perte ou préjudice financier ainsi que de tous frais de main d'œuvre dus à l'interruption du fonctionnement du produit occasionné par des pièces défectueuses. Nous ne rembourserons pas non plus tout frais encouru par autrui sans notre autorisation écrite préalable.

La présente garantie sera nulle si notre inspection montre que le produit a été utilisé de manière non conforme aux pratiques courantes de l'industrie et/ou à nos recommandations spécifiques. L'acheteur du produit doit communiquer toutes les informations nécessaires concernant l'application et l'utilisation du produit. NOUS NE POURRONS EN AUCUN CAS ÊTRE TENUS RESPONSABLES DE TOUT DOMMAGE DIRECT OU CONSÉCUTIF, Y COMPRIS, MAIS SANS S'Y LIMITER, DE TOUT FRAIS DE VOYAGE, DE LOCATION D'ÉQUIPEMENT, DE FRAIS DE SOUS-TRAITANT EXTERNE, DE TOUT FRAIS D'ATELIER DE RÉPARATION NON AUTORISÉ, DE PERTE DE PROFITS, DE PERTE DE REVENUS, DE FRAIS DE MAIN D'ŒUVRE, DE DÉLAIS DE PRODUCTION, DE RALENTISSEMENT DE PRODUCTION, DOMMAGES CAUSÉS PAR DES DÉFAUTS DE MATÉRIAUX ET/OU DE MAIN D'ŒUVRE ET/OU DOMMAGES OU DE DÉLAIS D'EXPÉDITION. LA PRÉSENTE GARANTIE REMPLACE EXPRESSÉMENT TOUTE AUTRE GARANTIE EXPRESSE OU IMPLICITE, Y COMPRIS TOUTE GARANTIE DE COMMERCIALISATION OU D'ADAPTATION À UN USAGE PRÉVU.

Aucun droit accordé aux termes de la présente garantie ne peut être attribué à toute autre personne, que ce soit conformément à la loi ou d'une autre façon, sans notre accord écrit préalable.

CRANE®**PUMPS & SYSTEMS**

A Crane Co. Company

420 Third Street
Piqua, Ohio 45356
(937) 778-8947
Fax (937) 773-7157
www.cranepumps.com

83 West Drive
Brampton, Ont. Canada L6T 2J6
(905) 457-6223
Fax (905) 457-2650

E
S
P
A
Ñ
O
L

¡IMPORTANTE!
REGISTRO DE LA GARANTIA

Su producto está cubierto por la Garantía adjunta. Para llenar el Formulario de Registro de la Garantía, vaya a:

<http://www.cranepumps.com/ProductRegistration/>

Si usted tiene que hacer un reclamo bajo lo provisto por la garantía, póngase en contacto con su distribuidor local de Crane Pumps & Systems, Inc.

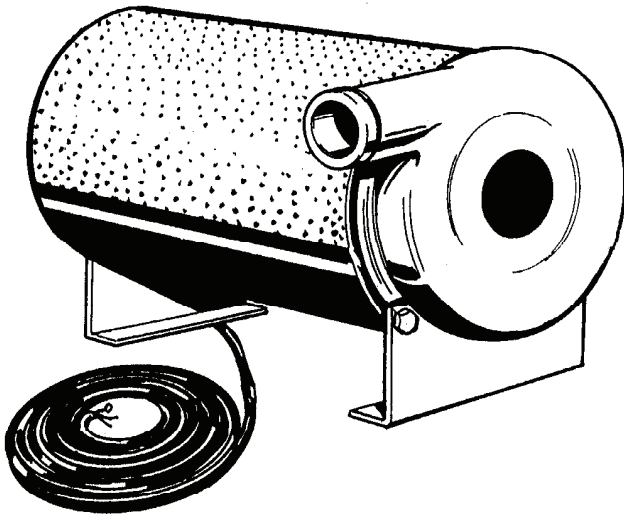
DEVOLUCION DE PRODUCTOS
PARA DEVOLVER MERCANCIA SE REQUIERE UNA “AUTORIZACION PARA LA DEVOLUCION DE PRODUCTOS”. PONGASE EN CONTACTO CON SU DISTRIBUIDOR LOCAL DE CRANE PUMPS & SYSTEMS, INC.



Todo producto devuelto debe limpiarse, desinfectarse o descontaminarse según se necesite antes de enviarlo, para asegurarse que los empleados no se expongan a peligros para su salud al manipular dicho material. Todas las leyes y reglamentos pertinentes tendrán validez.

BARNES®

Manuel d'installation et d'exploitation Pompes submersible pour fontaines



**GAMMES: SFU, 60Hz.
1/3 - 1 HP, 3450 tr/mm**

**GAMMES: 2P5, 60Hz.
1/3 - 1 HP, 3450 tr/mm**

**GAMMES: SFU, 50Hz.
0.9 - 0.58HP, 2850tr/mm
(0.14 - 0.43kW)**



Underwriters Laboratories Inc.®
Fiche N°. E142177

Les modèles 50 Hz NE sont PAS homologués UL.

IMPORTANT!

Lire toutes les instructions de ce manuel avant d'utiliser la pompe. En raison des améliorations constantes apportées aux produits Crane Pompes et Systèmes, ces derniers resquent de présenter des modifications. Crane Pompes et Systèmes se réserve le droit de modifier le produit sans préavis ni notification par écrit.

CRANE®

A Crane Co. Company

POMPES ET SYSTÈMES

420 Third Street
Piqua, Ohio 45356
Téléphone: (937) 778-8947
Fax: (937) 773-7157
www.cranepumps.com

83 West Drive, Bramton
Ontario, Canada L6T 2J6
Téléphone: (905) 457-6223
Fax: (905) 457-2650

Formulaire N°. 026882-Rev. S

TABLE DES MATIÈRES

MISES EN GARDE ET CONSIGNES DE SÉCURITÉ.....	3
A. CARACTÉRISTIQUES TECHNIQUES DE LA POMPE.....	4
B. INFORMATIONS D'ORDRE GÉNÉRAL	5
C. INSTALLATION	5
Données électriques	6
D. MISE EN MARCHÉ.....	7
E. MAINTENANCE PRÉVENTIVE	7
F. ENTRETIEN et RÉPARATION.....	7 - 8
G. PIÈCES DE RECHANGE.....	10
GUIDE DE DÉPANNAGE	11
COUPE TRANSVERSALE (Fig. 7).....	12
VUE ÉCLATÉE (Fig. 8).....	13
LISTE DES PIÈCES.....	14
INFORMATIONS CONCERNANT LA GARANTIE.....	19
GARANTIE	20
RAPPORT DE MISE EN MARCHÉ	21 - 22
ENREGISTREMENT DE LA GARANTI	

OUTILS SPÉCIAUX ET ÉQUIPEMENT

APPAREIL POUR TESTER L'ISOLANT (MEGGER)

VOTRE SÉCURITÉ PASSE AVANT TOUT!

Il est important de lire ce texte avant d'installer ou d'utiliser la pompe. Ces renseignements sont fournis pour des raisons de SÉCURITÉ et pour ÉVITER DES PROBLÈMES AVEC LE MATÉRIEL. Les symboles suivants permettent de reconnaître la natures des informations:



IMPORTANT! Indique les risques pouvant entraîner des blessures ou les facteurs à prendre en compte pour l'assemblage, l'installation, l'utilisation, ou l'entretien qui, si on les ignore, peuvent endommager la machine ou l'équipement.

MISE EN GARDE! Indique les risques qui entraînent ou peuvent entraîner des blessures légères ou des dommages aux biens s'ils sont ignorés. Utilisés avec les symboles ci-dessous.

AVERTISSEMENT! Indique les risques qui entraînent ou peuvent entraîner des blessures sérieuses ou des dommages importants aux biens s'ils sont ignorés. Utilisés avec les symboles ci-dessous.



Liquides dangereux
Peuvent déclencher un incendie ou une explosion, avec pour conséquence des brûlures, voire la mort.



Extrêmement chaud
Ne pas toucher, brûlure au contact



Risques biologiques
Peuvent entraîner des blessures sérieuses



Pression dangereuse
Risque d'éruption ou d'explosion pouvant entraîner des blessures ou des dommages aux biens



Machines rotatives - Le contact avec une pièce tournante peut être cause d'importantes lacérations pouvant aller jusqu'à l'amputation



Tension dangereuse - Risque de choc électrique, de brûlures pouvant entraîner la mort

Seul du personnel qualifié est autorisé à utiliser à réparer la pompe. Le câblage des pompes doit être effectué par un électricien qualifié.



AVERTISSEMENT! Pour diminuer le risque de choc électrique, les pompes et les panneaux de commande doivent être correctement mis à la terre, conformément aux exigences du National Electric Code (NEC) ou du Code canadien de l'électricité (CEC) et de tous les autres codes et ordonnances applicables, au niveau provincial ou local. Une mise à la terre incorrecte annule la garantie.



AVERTISSEMENT! Pour diminuer le risque de choc électrique toujours débrancher la pompe avant toute intervention ou opération d'entretien. Verrouiller l'alimentation électrique et apposer une étiquette.



AVERTISSEMENT! Toute pompe en fonctionnement accumule de la chaleur et de la pression - laissez la pompe refroidir avant de la manipuler ou de procéder à son entretien.

Cette POMPE n'a PAS été conçue pour être utilisée dans les piscines.



Les pompes utilisées pour les fontaines décoratives DOIVENT être branchées dans un circuit protégé par un disjoncteur de fuite à la terre.



AVERTISSEMENT! Ne pas pomper de matières dangereuses (inflammables, corrosives, etc.) à moins que la pompe ne soit conçue spécialement à cet effet.



Ne pas soulever la pompe par le cordon d'alimentation (si elle en comporte un).



AVERTISSEMENT! Ne pas porter de vêtements amples pouvant s'empêtrer dans la roue ou dans les pièces mobiles.



AVERTISSEMENT! Demeurer à l'écart des orifices d'aspiration et d'évacuation. NE PAS introduire les doigts dans la pompe lorsque le cordon d'alimentation est branché.



Lunettes de protection exigées.



S'assurer que les poignées de levage sont fixées solidement avant chaque levage. **NE PAS** utiliser la pompe sans carters de protection ni dispositifs de sécurité. Veiller à toujours remettre en place les dispositifs de sécurité ayant été enlevés après tout entretien ou toute réparation. Fixer solidement la pompe en position de fonctionnement de façon à ce qu'elle ne se renverse pas et ne glisse pas.



NE PAS dépasser les recommandations du fabricant en matière de rendement sinon le moteur risque de surchauffer.

NE PAS retirer le cordon ou la bride du cordon. **NE PAS** raccorder le conduit à la pompe.

Utiliser une commande de moteur approuvée de capacité suffisante du point de vue puissance (CV) et ampérage (A) pour la consommation du moteur à pleine charge.



AVERTISSEMENT! Le câble doit être protégé à tout moment afin d'éviter d'être percé, coupé ou usé par frottement. Le vérifier fréquemment. Ne jamais manipuler avec des mains mouillées des cordons d'alimentation branchés.



AVERTISSEMENT! Afin d'éviter le risque de choc électrique, tout câblage et tout raccordement de dérivation doit être effectué conformément au code NEC ou CEC et à la législation de votre localité. Les critères peuvent varier selon l'usage et l'emplacement.



AVERTISSEMENT! Les produits doivent avoir été nettoyés, stérilisés ou décontaminés correctement avant d'être renvoyés, afin de ne pas mettre en danger la santé des employés les manipulant. La législation en vigueur est applicable.



Les pompes en bronze ou en fonte, ou comportant des raccords en bronze ou en fonte, risquent de présenter une teneur en plomb dépassant le niveau communément accepté et jugé sans danger pour tout système d'alimentation en eau potable. Divers organismes gouvernementaux ont déterminé que les alliages de cuivre au plomb ne doivent pas être utilisés au sein de systèmes d'eau potable. Afin d'obtenir les prix et la disponibilité des matériaux de construction à base d'alliages en cuivre sans plomb, veuillez contacter l'usine.



Crane pompes et systèmes décline toute responsabilité en cas de perte, de blessure ou de mort survenue suite au non-respect de ces consignes de sécurité ou à une utilisation incorrecte de ces pompes ou de l'équipement.

SECTION: A - CARACTÉRISTIQUES TECHNIQUES DE LA POMPE

REFOULEMENT Raccord de tuyau de 1-3/4 de po (45mm), Rotation de 90°

TEMPÉRATURE DU LIQUIDE:
145°F (63°C)continue.

VOLUTE Laiton ASTM A4, 85-5-5-5.

INTERMÉDIAIRE Laiton ASTM A4, 85-5-5-5.

LOGEMENT EN FORME DE TUBE:
Acier Inoxydable

EMBOUT DUE LOGEMENT:
Laiton ASTM A4, 85-5-5-5.

GRILLE: *Conception* Taille, 264 -po2. (1703 cm2)
Enveloppé d'une grille de 5/32 po (4 mm) de diam.
Matière Acier Inoxydable 304

SUPPORTS DE POMPE.. Laiton

DIAPHRAGME Buna-N, pression stabilisée

ROUE: *Conception*
60 Hz..... quatre ouvertures à ailettes, 1/3 et 1/2HP.
Six ouvertures à ailettes, 3/4 et 1HP.
Équilibré dynamiquement.
Conception
50 Hz..... quatre ouvertures à ailettes, .19 et .28HP (0,14 et 0,22 kW).
Six ouvertures à ailettes, .43 et .58HP. (0,32 et 0,43 kW)
Équilibré dynamiquement.
Matériaux Laiton ASTM A4, 85-5-5-5

ARBRE..... Acier inoxydable 416

JOINT TORIQUES Buna-N

PIÈCES Acier Inoxydable

JOINT: *Conception* Simple mécanique
Matériaux Faces rotatives - Carbone
Faces fixes- Céramique
Élastomère - Buna-N
Pièces - Gammes 300 en acier
cordon de 12 pieds (3,6 M).
Passe-fils pour étanchéité et bride de fils.

ENTRÉE DE CABLE

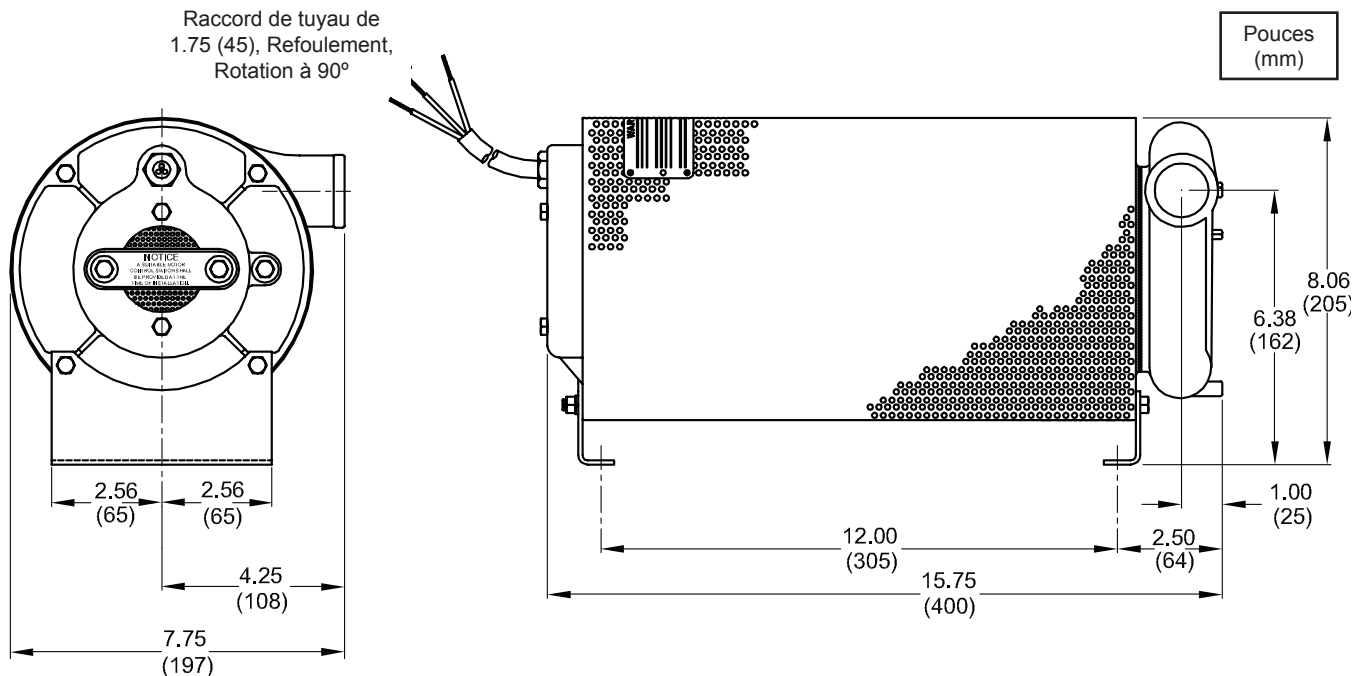
VITESSE: 60 HZ 3450 tr/mn (nominal).
50 HZ 2850 tr/mn (nominal).

ROULEMENT D'EXTRÉMITÉ DU MOTEUR:
Conception rangée unique, à billes.
Lubrification..... huile
Charge radiale

ROULEMENT D'EXTRÉMITÉ DE LA POMPE:
Conception manchon
Lubrification..... huile
Charge radiale et axiale

MOTEUR: *Conception* NEMA B; rempli d'huile,
Induction à cage d'écuréuil.
Isolant..... classe A.

MONOPHASÉ Condensateur Auxiliaire Permanent (PSC). comprenant un dispositif de surcharge dans le moteur



SECTION B: INFORMATIONS D'ORDRE GÉNÉRAL

B-1) Pour l'acheteur:

Félicitations! Vous venez d'acheter une des meilleurs pompes fabriquées actuellement. Les pompes Barnes® Pumps ont été mises au point et fabriquées à partir de composants de haute qualité. Nos pompes sont le fruit de plus d'une centaine d'années d'expérience en matière de fabrication et d'un programme continu de contrôle de la qualité. Nous avons ainsi réussi à produire une pompe qui résistera aux conditions d'utilisation les plus rudes.

Cette notice Barnes vous fournira des informations concernant l'installation, la maintenance et les grandes lignes en matière d'entretien et de réparation.

B-2) Réception:

Lors de la réception de la pompe, inspectez-la afin de vous assurer qu'elle n'est pas endommagée et ne présente pas de cour-t ci-r-cui-t-s. En cas de dégât-s, portez pl-aint-e immédiatement auprès du transporteur. Si la notice a été retirée de l'emballage, veuillez à ne pas la perdre ni l'égarer.

B-3) Entreposage:

À court terme - Les pompes Barnes sont fabriquées afin d'être aussi efficaces après de longues périodes d'inactivité. Pour des résultats optimums, les pompes peuvent être entreposées jusqu'à six (6) moi-s dans un endroit où l'air est sec et où la température demeure constante.

À long terme - Toute période dépassant six (6) mois mais inférieure à vingt-quatre (24) mois. Les pompes doivent être entreposées dans un endroit où la température peut être contrôlée, un local avec un toit les protégeant des intempéries (pluie, neige, vent, poussière, etc.) et où la température peut être maintenue entre 4°C et 49°C. En cas de forte humidité, toutes les pièces non protégées devront être vérifiées avant de ranger la pompe et toutes les surfaces devront être repeintes à l'aide d'une peinture émail à base d'eau. Toutes les surfaces devront ensuite être vaporisées avec une huile anti-rouille.

La pompe doit être entreposée dans son emballage d'origine. Lors de son démarrage, veuillez à tourner la roue à la main afin de vous assurer que le joint et la roue tournent librement.

S'il s'avère nécessaire d'installer et de tester la pompe avant un entreposage de longue durée, une telle installation sera permise tant que:

- 1) la pompe n'est pas installée sous l'eau pendant plus d'un (1) mois.
- 2) immédiatement après l'essai de la pompe, cette dernière est sortie de l'eau, séchée, remise dans son emballage d'origine et entreposée dans un endroit où la température peut être contrôlée.

B-4) CENTRES DE SERVICE APRÈS-VENTE

Pour savoir où se trouve le centre de service après-vente Barnes le plus proche de chez vous, consultez votre représentant Barnes ou le service après-vente Barnes se trouvant à Piqua, Ohio au (937) 778-8947 dans le Canada de Brampton (905) 457-6223.

SECTION C: INSTALLATION

C-1) Emplacement:

Ces pompes ont été conçues pour être utilisées au sein de jeux d'eaux. Veuillez à ce que la pompe puisse être placée dans une fosse en position horizontale afin d'être tout le temps immergée. Dans cette position, le piège aspirant intégré empêchera la pompe d'assécher la fosse en maintenant le moteur au deux-tiers submergé et entraînera un refroidissement adéquat.

ATTENTION: si la pompe est montée à la verticale, elle risque d'abaisser le niveau d'eau en pompant et d'exposer le carter du moteur. Ceci entraînera une surchauffe du moteur et le dispositif automatique de protection contre les surcharges s'enclenchera.

C-2) Refoulement:

Cette pompe est une pompe de haute capacité à bas refoulement, et il est donc très important d'utiliser le moins de raccords de tuyauterie possible, ainsi qu'un tuyau de taille adéquate, afin de réduire au minimum la perte de pression causée par la friction. Tous les modèles sont équipés d'un raccord pour tuyau d'évacuation de 1-3/4 po. et pivotent par incréments de 90°.



AVERTISSEMENT! - POUR RÉDUIRE TOUT RISQUE D'ÉLECTROCUTION VOIRE DE MORT, DÉBRANCHER LA POMPE AU NIVEAU DE L'ALIMENTATION ÉLECTRIQUE AVANT DE LA MANIPULER OU DE PROCÉDER À SON ENTRETIEN. CETTE POMPE DOIT ÊTRE MISE À LA TERRE CONFORMÉMENT AU CODE ÉLECTRIQUE NATIONAL, À LA LÉGISLATION ET AUX ORDONNANCES DE VOTRE LOCALITÉ. CETTE POMPE NE DOIT PAS ÊTRE UTILISÉE DANS UNE PISCINE.

C-3) Connexions électriques:

Le moteur est rempli d'huile et est à condensateur auxiliaire permanent monophasé avec un dispositif de protection contre les surcharges et nécessite donc aucun boîtier de commandes. Connectez les fils blanc et noir du moteur aux deux fils de l'interrupteur d'alimentation ou du disjoncteur. Connectez le fil vert à une masse. Voir le TABLEAU 1 pour connaître le calibre des fils allant de l'alimentation aux fils du moteur ainsi que les calibres des fusibles.

CALIBRE DU CÂBLE	1/3HP 115 VOLT FUSIBLE: 20 AMP	1/2HP 115 VOLT FUSIBLE: 25 AMP	3/4HP 115 VOLT FUSIBLE: 30 AMP	1HP 230 VOLT FUSIBLE: 25 AMP
14 GA.	75	60	40	100
12 GA.	125	100	60	150
10 GA.	225	150	100	250

C-3.1) Cordon d'alimentation:

Le cordon électrique monté sur la pompe ne doit être en aucun cas modifié. Vous pouvez cependant le raccourcir le cas échéant. Tout raccord entre la pompe et le panneau de commande doit être effectué conformément au Code Électrique National et à la législation locale en vigueur. En cas d'utilisation d'une boîte de dérivation, nous vous recommandons de la monter à l'extérieur de la fosse afin d'éviter toute inondation. N'utilisez pas le cordon d'alimentation afin de soulever la pompe

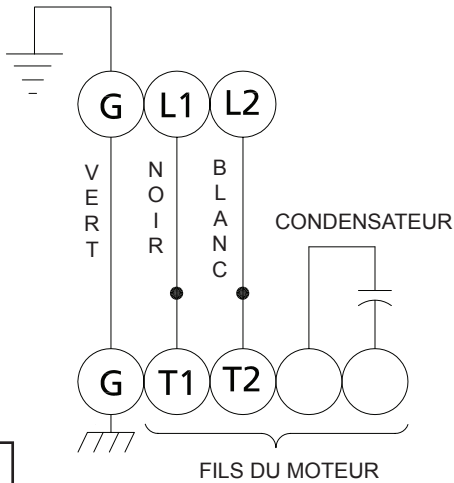


FIGURE 2

MONOPHASÉ - 115 et 230 Vc.a
CORDON D'ALIMENTATION

Vert (Terre)
 Noir
 Blanc
 Condensateur
 Condensateur

FILS DU MOTEUR

Vert
 Connecteur droit
 Connecteur droit
 Connecteur en drapeau
 Connecteur en drapeau

C-3.2) Dispositif de protection contre les surcharges:

C-3.2-1) Pompe monophasée - Ce type de protecteur à bobinages i-ntérieurs est un dispositif de protection contre les surchauffes qui fonctionne grâce à la température et au courant. Ceci signifie que le dispositif de protection contre les surcharges s'enclenchera et arrêtera la pompe si les bobinages deviennent trop chauds ou si le courant de la charge passant par ces derniers devient trop élevé. Il se réarmera automatiquement et remettra la pompe en marche une fois la température du moteur redescendue à un niveau jugé sans danger. En cas de surcharge, déterminez sa cause et résolvez le problème immédiatement.



NE PAS LAISSER LA POMPE FONCTIONNER EN CAS DE SURCHARGE!

Si, lors la surcharge le courant dépasse les valeurs indiquées, utilisez un relais de circuit de commande intermédiaire afin de réduire le courant ou le dispositif de protection contre les surcharges ne fonctionnera pas correctement.

CARACTÉRISTIQUES ÉLECTRIQUES DE LA SURCHARGE		
VOLTS	AMPS CONTINUS	AMPS D'APPEL
110-120	3.00	30.0
220-240	1.50	15.0

C-3.3) Calibre des fils:

Consultez un électricien qualifié pour connaître la taille correcte des fils. Voir le tableau pour les informations électriques.

SECTION: D MISE EN MARCHÉ

D-1) Vérifiez la tension et la phase:

Avant d'utiliser la pompe, vérifiez-la afin de vous assurer que les informations concernant la tension et la phase au niveau de la plaque signalétique concordent avec celle de l'alimentation disponible.

D-2) Vérifiez le sens de rotation de la pompe:

Avant de faire fonctionner la pompe pour la première fois, vérifiez que le rotation du moteur est correcte. Toute rotation incorrecte entraînera un faible rendement et risque d'endommager le moteur et/ou la pompe. Pour vérifier la rotation, démarrez la pompe et observez le retour du moteur. Ce denier doit toujours se produire dans le sens inverse des aiguilles d'une montre lorsqu'il est observé à partir de l'extrémité du moteur de la pompe (le retour du moteur est toujours dans le sens contraire au sens de rotation de la roue).

N°. du Modèle	HP (kW)	VOLT/ PH	Hz	Tours- Min (Nom)	Code NEMA	Pleine Intensité	Ampérage à Rotor Bloqué	Taille Du Cordon	Type De Cordon	Dia. Ext. Du Cordon en po (mm)	Résistance à L'enroulement Alimentation-- Démarrage
SFU31	1/3	115/1	60	3450	J	8.0	21.0	16/3	SOW	0.395 (10)	2.26 -- 20.34
SFU51	1/2	115/1	60	3450	E	9.5	21.0	16/3	SOW	0.395 (10)	1.54 -- 16.21
SFU71	3/4	115/1	60	3450	D	12.0	28.0	16/3	SOW	0.395 (10)	0.99 -- 16.17
SFU102	1	230/1	60	3450	E	7.0	21.0	16/3	SOW	0.395 (10)	2.81 -- 15.04
2P536	1/3	115/1	60	3450	J	8.0	21.0	16/3	SOW	0.395 (10)	2.26 -- 20.34
2P537	1/2	115/1	60	3450	E	9.5	21.0	16/3	SOW	0.395 (10)	1.54 -- 16.21
2P538	3/4	115/1	60	3450	D	12.0	28.0	16/3	SOW	0.395 (10)	0.99 -- 16.17
2P539	1	230/1	60	3450	E	7.0	21.0	16/3	SOW	0.395 (10)	2.81 -- 15.04
SFU2W2L	.19 (.14)	110/1	50	2850	M	6.7	17.5	16/3	SOW	0.395 (10)	2.26 -- 20.34
SFU3W2L	.28 (.22)	110/1	50	2850	H	7.9	17.5	16/3	SOW	0.395 (10)	1.54 -- 16.21
SFU4W2L	.43 (.32)	110/1	50	2850	H	10.0	23.3	16/3	SOW	0.395 (10)	0.99 -- 16.17
SFU6X2L	.58 (.43)	220/1	50	2850	H	5.8	17.5	16/3	SOW	0.395 (10)	2.81 -- 15.04

La tension au niveau du moteur doit correspondre à une marge de plus ou moins 10% de la tension nominale pendant que le moteur tourn.
 Résistance à l'enroulement ± 5%

FRANÇAIS

D-2.1) Sens de rotation incorrect pour pompe monophasée:

Au cas où le sens de rotation serait incorrect (ce qui est fort improbable pour une pompe monophasée), contactez le service après-vente de Barnes Pumps.

D-3) Plaque signalétique:

Notez les numéros figurant sur la plaque signalétique du RAPPORT DE MISE EN MARCHÉ fourni à la fin du manuel afin de pouvoir les consulter ultérieurement.

D-4) Rapport de mise en marche:

Vous trouverez les deux feuilles du rapport de mise en marche à la fin de ce manuel. Remplissez ces feuilles, renvoyez une copie à Barnes Pumps et placez la seconde dans le panneau de commande ou avec le manuel de la pompe si vous n'utilisez pas de panneau de commande. Il est important d'enregistrer ces données lors du démarrage initial de la pompe car celles pourront être comparées à celles obtenues lors de son entretien ultérieur.

Test d'isolation:

Avant d'utiliser la pompe, testez-le au moyen d'un ohmmètre à magnéto (appareil d'isolation de type Megger). Les valeurs ohmiques, les volts et les ampères doivent être notés sur la feuille de mise en marche et cette dernière doit être placée dans le panneau de commande ou avec le manuel de la pompe si vous n'utilisez pas de panneau de commande.

SECTION E: MAINTENANCE PRÉVENTIVE

Étant donné que le moteur est rempli d'huile, aucune lubrification et aucun entretien supplémentaire n'est nécessaire et le plus souvent les pompes Barnes fonctionneront de longues années sans problème technique. Cependant, à l'instar de tout équipement mécanique, il est recommandé de procéder à une maintenance préventive en effectuant les vérifications suivantes:

- 1) Vérifiez la chambre du moteur afin de vous assurer que le niveau d'huile est correct et que cette dernière ne présente pas de traces de contamination. Réparez en suivant la section F-1.
- 2) Vérifiez que la roue et la volute ne sont pas bouchées et ne présentent pas d'accumulation excessive de résidus et effectuez les réparations nécessaires en suivant les instructions de la section F-2.
- 3) Inspectez et nettoyez la grille en suivant les instructions de la section F-3.
- 4) Vérifiez que le joint ne présente pas de traces d'usure ni de fuite et réparez-le en suivant les instructions de la section F-4

SECTION F: SERVICE APRÈS-VENTE ET RÉPARATION

REMARQUE: tous les numéros des pièces () renvoient aux figures 7 et 8.



AVERTISSEMENT ! - AVANT D'EFFECTUER TOUT ENTRETIEN DE LA POMPE, DÉBRANCHEZ ET COUPEZ L'ALIMENTATION ÉLECTRIQUE DE SON MOTEUR AFIN D'ÉVITER TOUTE ÉLECTROCUTION.



ATTENTION: - TOUTE POMPE EN FONCTIONNEMENT ACCUMULE DE LA CHALEUR ET DE LA PRESSION; LAISSEZ LA POMPE REFROIDIR AVANT DE LA MANIPULER OU DE PROCÉDER À SON ENTRETIEN.

F-1) Lubrification:

À chaque fois que vous arrêtez la pompe ou que vous devez l'entreposer, ou au moins tous les douze (12) mois, vérifiez que l'huile de refroidissement du tube (27) n'est pas contaminée et que son niveau est correct.

F-1.1) Vérifier l'huile:

Pour vérifier l'huile, placez la pompe debout. Retirez le bouchon (38). À l'aide d'une lampe torche, vérifiez que l'huile du tube (27) est propre, claire et que son niveau se trouve au-dessus de toute pièce interne. Si l'état de l'huile est bon, remplacez le bouchon. Si le niveau d'huile est bas et si l'huile paraît sale, testez l'huile en suivant les instructions de la section F-1.2.

F-1.2) Tester l'huile:

1. Placez la pompe sur sa partie arrière, retirez le bouchon (38) et vidangez l'huile dans un récipient propre et sec.
2. À l'aide d'un essayeur d'huile d'un décrochage de 30 kilovolts, vérifiez que l'huile ne présente pas de traces de contamination.
3. Si l'huile s'avère propre et non-contaminée (le relevé est supérieur au décrochage de 15KV) remplissez le carter du moteur en suivant les instructions de la section F-1.3.
4. Si l'huile est sale ou contaminée (ou si le relevé est inférieur au décrochage de 15KV), la pompe doit alors être vérifiée afin de s'assurer qu'elle ne présente pas de fuites au niveau du joint de l'arbre (30), de l'écrou de presse-étoupe (13), des joints toriques (26), du diaphragme (15) et du bouchon (38) avant de la remplir d'huile. Pour trouver la fuite, effectuez un test de pression en suivant les instructions de la section F-1.4. Après avoir réparé la fuite, remplissez avec de l'huile neuve comme indiqué à la section F-1.3.

F-1.3 Remplacer l'huile du carter du moteur:

Vidangez toute l'huile du logement en forme de tube et débarrassez-vous en selon la législation en vigueur. Versez de l'huile de refroidissement propre (voir la liste des pièces pour connaître la quantité nécessaire) en suivant les indications du TABLEAU 2. Afin de compenser l'expansion de l'huile, il est indispensable que de l'air demeure dans la partie supérieure du tube lorsque la pompe est placée avec la volute sur le banc. Regardez par le trou de remplissage afin de remplir jusqu'à ce que le condensateur soit recouvert. Lorsque vous remplissez la pompe avec de l'huile neuve, après avoir réparé le joint de l'arbre (30), effectuez le test de pression indiqué à la section F-1.4. Si le joint de l'arbre n'a pas été endommagé pendant l'entretien, appliquez un mastic d'étanchéité et remplacez le bouchon (38).



AVERTISSEMENT ! - NE VERSEZ PAS TROP D'HUILE. UN CARTER DE MOTEUR-TROP REMPLI PEUT FAIRE TROP MONTER LA PRESSION HYDRAULIQUE ET ÉVENTUELLEMENT DÉTRUIRE LA POMPE ET ANNULER LA GARANTIE.

TABLEAU 2 - HUILE DE REFROIDISSEMENT, Diélectrique	
FOURNISSEUR	TYPE
BP	Enerpar SE40
Conoco	Pale Paraffin 22
Mobile	D.T.E. Oil Light
G & G Oil	Circulating 22
Imperial Oil	Voltesso-35
Shell Canada	Transformer-10
Texaco	Diala-Oil-AX
Woco	Premium 100

F-1.4) Test de pression:

Avant le fait de remplir la pompe avec le pétrole vérifiez la pompe pour les fuites autour du sceau de puits, les O-anneaux, le diaphragme et l'arrivée de corde. Appliquez l'enduit étanché de pipe à l'assemblage d'indicateur de pressions et serrez-vous dans remplissent le trou de prise de courant. Pressurisez le tube d'habitation à 6 P.S.I. Utilisez une solution de savon autour des régions cachetées et inspectez des articulations pour "les bulles d'air".

Si, après cinq minutes, la pression tient toujours constant et aucune "bulle d'air" n'est observée, saigne lentement la pression et enlève l'assemblage de calibre. Remplacez la prise de courant de pipe en utilisant un enduit étanché. Si la pression ne tient pas, donc la fuite doit être trouvée. Si aucune fuite n'est découverte se remplissent du pétrole par F-1.3.



ATTENTION: VEILLES À TOUJOURS PORTER DES LUNETTES DE PROTECTION LORSQUE VOUS TRAVAILLER SUR UNE POMPE.



ATTENTION: - LA PRESSION S'ACCUMULE EXTRÊMEMENT RAPIDEMENT; AUGMENTEZ LA PRESSION EN TAPANT LÉGÈREMENT SUR LA BUSE.

UNE PRESSION TROP FORTE ENDOMMAGERA LE JOINT. NE PAS DÉPASSER 6 P.S.I.

F-2) Entretien de la volute et de la roue:

F-2.1) Démontage et inspection:

Débranchez la tuyauterie d'évacuation. Retirez les vis (16) et tirez sur la volute (1) et sur le joint (32) afin de les retirer de la pièce intermédiaire (5). Vérifiez la volute et le joint et remplacez-les le cas échéant. Retirez la vis (39). La roue (2) est vissée sur l'arbre du moteur. Pour la desserrer, tournez la dans le sens inverse des aiguilles d'une montre. Vérifiez la roue afin de vous assurer qu'elle ne présente pas de fissures ni d'usure et remplacez-la le cas échéant.

F-2.2) Assemblage:

Lors du remontage des pièces, veillez à ce que les cales (3) soient en place afin qu'il y ait assez d'espace entre la roue (2) et la pièce intermédiaire (5). L'espace de dégagement doit être d'environ .03 po. (0,07 cm) Vissez la roue (2) sur l'arbre du moteur en la tournant dans le sens des aiguilles d'une montre, vissez la vis de fixation (39) et serrez-la. Placez le joint (32) et la volute (1) sur la pièce intermédiaire (5), insérez les vis (16) et serrez-les.

F-3) Filtre:

F-3.1) Démontage et inspection:

La grille (7) doit être nettoyée régulièrement. Il vous suffit de retirer les ressorts (24) et de soulever la grille.

F-3.2) Assemblage:

Faites glissez la grille (7) afin de la replacer, en veillant à ce qu'elle s'aligne entre les supports de la pompe (25) et fixez à nouveaux les ressorts (24).

F-4) Diaphragme, joint de l'arbre et moteur:

F-4.1) Démontage et inspection:

Retirez la volute et la roue en suivant les instructions du paragraphe F-2.1. Retirez la grille en suivant les instructions du paragraphe F-3.1. Retirez le bouchon (38) et vidangez l'huile de la pompe. Desserrez l'écrou presse-étoupe (13) et glissez-le vers l'arrière sur le cordon (14). Retirez les boulons hexagonaux (22) et les rondelles de sécurité (23) des tiges (28) et tirez sur la pièce d'embout du logement (21) du tube (27). Veillez à ne pas endommager le diaphragme (15) lorsque vous retirez l'embout du logement (21). Débranchez le cordon (14) et vérifiez qu'il n'est ni endommagé, ni fissuré et remplacez-le si besoin est. Pour vérifier ou remplacer le passe-fils (11), retirez les anneaux de friction (12) de l'embout (21) et retirez le passe-fils (11), voir la FIGURE 6.

Pour remplacer le diaphragme (15), retirez les vis (16) et la plaque (42) de l'embout du logement (21). Retirez le diaphragme (15), la bague d'appui (20), le ressort (19), le guide du ressort (17) et la grille (18) de l'embout du logement (21), tirez sur le tube (27) afin de l'extraire de la partie intermédiaire (5). Retirez l'entretoise du joint (40) et l'anneau en V (41) de l'arbre. Desserrez les vis du moteur et tirez sur la partie intermédiaire (5) avec le joint de l'arbre (30) afin la sortir du moteur (6).

REMARQUE: notez l'emplacement de la surcharge par rapport à la partie intermédiaire (5). Retirez l'anneau de retenue (4) et appuyez sur le joint (3) afin de le faire ressortir de la partie intermédiaire (5). Vérifiez que le joint ne présente pas de traces d'usure telles qu'une usure inégale au niveau des pièces fixes, ou des rayures sur les faces du joint. N'échangez PAS les éléments des joints, remplacez entièrement le joint si une des pièces est endommagée ou usée.

Vérifiez les joints toriques (26), remplacez-les s'ils sont coupés ou endommagés. Inspectez les bobinages afin de vous assurer qu'ils ne présentent pas de courts-circuits et vérifiez les valeurs de la résistance. Vérifiez que le rotor n'est pas usé, si le rotor ou les bobinages du stator sont défectueux, le moteur devra être entièrement remplacé. Pour tester le dispositif contre les surcharges, vérifiez la continuité entre les fils noirs et blancs. Si ces derniers sont défectueux, contactez un centre de réparation pour moteurs ou le service après-vente de Barnes Pumps. Vérifiez le condensateur (9) du moteur et remplacez-le s'il est défectueux.

F-4.2) Assemblage:

Montez la pièce intermédiaire (5) sur le moteur (6), en repérant la surcharge comme indiqué ci-dessus (ou à 11 heures si vous observez à partir du bout du moteur) au moyen des quatre boulons du moteur, avec le support du condensateur (31) sur l'un des boulons.

Placez un joint torique (26) dans la rainure de la pièce intermédiaire (5) et tout en veillant à ne pas couper ou endommager le joint torique (26), glissez le tube (27) sur la pièce intermédiaire (5). Remontez l'embout (21) en plaçant tout d'abord la grille (18) dans l'embout (21). Placez le guide du ressort (17) et le ressort (19) sur le diaphragme (15). Introduisez la bague d'appui (20) dans le diaphragme (15) en veillant à ce que la lèvre du diaphragme (15) se trouve dans la rainure de la bague d'appui (20).

À présent, fixez le diaphragme sur l'embout du logement (21) à l'aide de la plaque (42) et des vis (16). Glissez le condensateur (9) sur le support (31) et connectez les bornes en drapeau du moteur et du bornier (8) au condensateur (9). Placez le joint torique (26) dans la rainure de l'embout du logement (21) et glissez l'embout (21) dans le tube (27) en veillant à ne pas couper ni endommager le joint torique (26). Placez le support de pompe (25) sur les tiges inférieures (28), les rondelles de sécurité (23) et les écrous hexagonaux (22) sur les tiges (28) et serrez-les.

Introduisez la bague de retenue du joint (30a) avec le ressort (30b) sur l'arbre du moteur jusqu'à ce qu'il soit en place. Huilez légèrement l'arbre du moteur (SANS UTILISER de la graisse) ainsi que la surface interne de la pièce rotative (30c) et le cône du joint (voir la liste des pièces du kit d'outils pour joint). Placez le cône sur le filetage de l'arbre et avec les surfaces superposées vers l'extérieur, appuyez sur la pièce rotative (30c) avec un pousse-joint (voir la liste des pièces du kit d'outils pour joint) sur l'arbre et dans la pièce intermédiaire (5) jusqu'à ce qu'elle vienne se placer contre l'épaulement de l'arbre. Voir FIGURE 3.

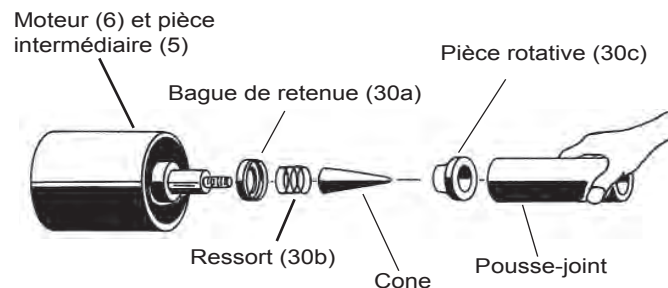


FIGURE 3

Huilez légèrement la pièce fixe (30D) et, avec la surface superposée faisant face au moteur, appuyez dessus (30D) en utilisant le pousse-joint afin de le pousser dans la partie intermédiaire (5) jusqu'à ce qu'elle repose contre la pièce tournante (30C) et remplacez le circlip (4), FIGURE 4.

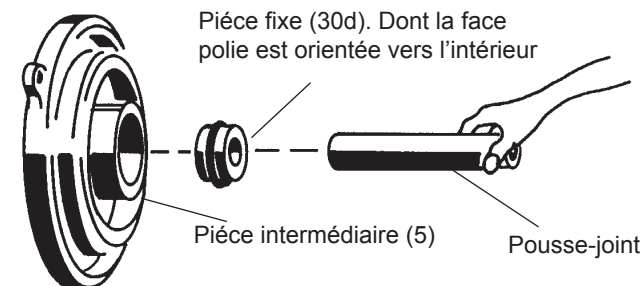


FIGURE 4

Placez l'anneau en V (41) et l'entretoise du joint (3) sur l'arbre jusqu'à ce qu'il soit en place. Montez la volute et la roue en suivant les instructions du paragraphe F-2.2. Fixez le cordon (14) dans l'embout du logement (21) en vous référant au paragraphe F-5.

Fixez la grille (7) en suivant les instructions du paragraphe F-3.2. Remplacez l'huile en suivant les instructions du paragraphe F-1.3 et testez la pression en suivant les instructions du paragraphe F-1.4.

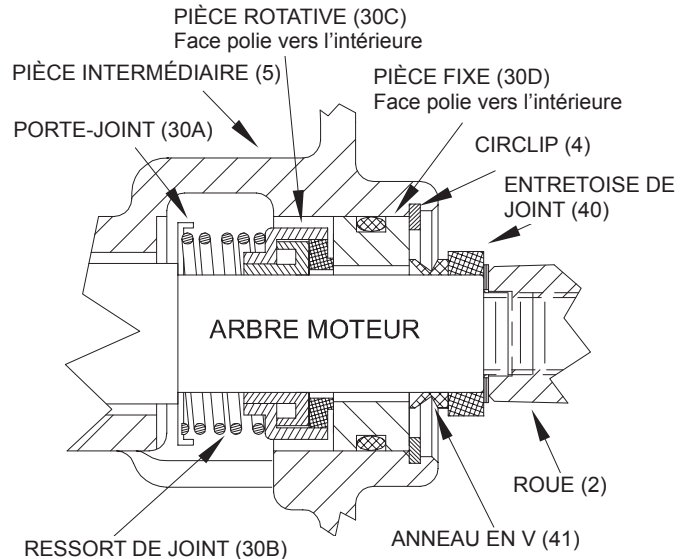


FIGURE 5

F-5) Montage du câble:

Placez l'écrou de presse-étoupe (13), un anneau de friction (12) et le passe-fils (11) sur le cordon et glissez le cordon par l'embout du logement (21). Effectuez les connexions indiquées sur la FIGURE 2 du paragraphe C-3, à l'aide de connecteurs de bornes (10). Placez le joint torique (26) dans la rainure de l'embout du logement (21) et glissez l'embout (21) dans le logement en forme de tube (27), en veillant à ne pas couper ni endommager le joint torique (26). Placez le support de pompe (25) sur les tiges inférieures (28), les rondelles de sécurité (23) et les écrous hexagonaux (22) sur les tiges (28) et serrez-les.

Introduisez le passe-fils (11) et l'anneau de friction (12) dans l'embout du logement (21). Appliquez un agent d'étanchéité sur l'écrou de presse-étoupe (13) et vissez-le dans l'embout du logement (21). Tournez l'écrou (13) à un couple de 2,4 kgm afin d'éviter toute fuite d'eau. Voir FIGURE 6.

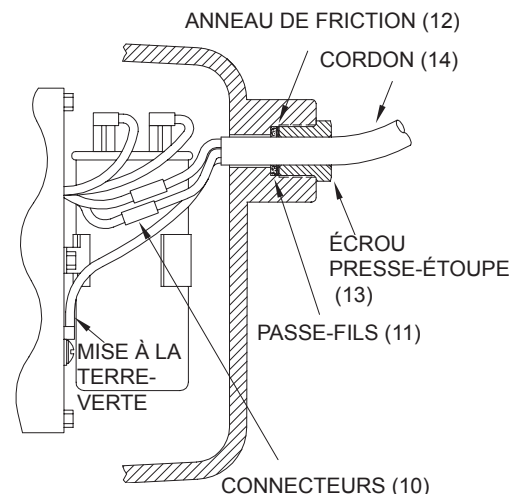


FIGURE 6

SECTION G : PIÈCES DE RECHANGE

G-1 COMMANDER DES PIÈCES DE RECHANGE:

Lorsque vous commandez des pièces de rechange, veuillez à TOUJOURS fournir les renseignements suivants:

1. Numéro de série et code date (G-4)
2. Numéro du modèle de pompe (G-3)
3. Numéro de pièce de la pompe (G-2)
4. Description de la pièce
5. Numéro de la pièce
6. Quantité requise
7. Instructions d'expédition
8. Instructions de facturation

G-2 NUMÉRO DE PIÈCE:

Le numéro de pièce comprend six (6) chiffres apparaissant dans le catalogue. Un suffixe d'une ou deux lettres peut se trouver après ce numéro afin d'indiquer la configuration du produit. Ce numéro sert à passer une commande et à obtenir des renseignements.

G-3 NUMÉRO DU MODÈLE:

Ce numéro comprend des chiffres et des lettres représentant la taille de refoulement, la série, la puissance HP, la phase du moteur et la tension ainsi que la vitesse et la conception de la pompe. Ce numéro sert à passer une commande et à obtenir des renseignements.

G-4 NUMÉRO DE SÉRIE:

Le bloc du numéro de série comprend six chiffres. Chaque numéro est propre à chaque pompe et peut être précédé par un caractère alphabétique indiquant la localité de l'usine. Ce numéro sera aussi terminé par un suffixe de quatre chiffres indiquant la date à laquelle l'appareil a été construit (code date).

EXEMPLE : A012345 0490.

Veuillez fournir la partie à six chiffres (numéro de série) de ce numéro lorsque vous vous référez au produit.

GUIDE DE DÉPANNAGE

ATTENTION ! Débranchez toujours la pompe avant de la manipuler.

Si le système ne fonctionne pas correctement, lisez attentivement les instructions et suivez les consignes d'entretien.

Si les problèmes persistent, consultez le tableau suivant afin de les identifier et de les corriger:

FAIRE CORRESPONDRE LE NUMÉRO DE LA <<<< CAUSE >>>> AU NUMÉRO DE LA <<<< CORRECTION >>>>.

REMARQUE: les problèmes et les corrections ne correspondront pas toujours à chaque modèle de pompe.

PROBLÈME	CAUSE	CORRECTION
La pompe ne fonctionne pas	<ol style="list-style-type: none"> 1. Connexion électrique de mauvaise qualité, fusible fondu,, disjoncteur enclenché ou autre interruption au niveau de l'alimentation, alimentation électrique incorrecte. 2. Le moteur ou l'interrupteur ne fonctionnent pas (pour isoler la cause du problème, faites fonctionner la pompe manuellement). 2a. Quelque chose gêne le libre mouvement du flotteur. 2c. Moteur défectueux. 3. Niveau de liquide insuffisant 	<ol style="list-style-type: none"> 1. Vérifiez que toutes les connexions ont été correctement effectuées. Faites vérifier le courant des fils du moteur par un électricien. Si le courant est au sein d'une plage de $\pm 20\%$ de l'ampérage à rotor bloqué, la roue est probablement bloquée. Si le courant indique 0, le dispositif contre les surcharges est sans doute enclenché. Débranchez l'alimentation, laissez la pompe refroidir, puis vérifiez à nouveau le courant. 2a. Remplacez la pompe ou nettoyez le récipient si besoin est, afin de fournir assez d'espace au flotteur. 2c. Vérifiez l'isolant des bobinages (test avec appareil Megger) ainsi que la résistance des bobinages. Si le chiffre se trouve hors des limites, séchez et vérifiez à nouveau. Si le défaut persiste, remplacez en suivant les instructions d'entretien.
La pompe ronronne mais ne fonctionne pas	<ol style="list-style-type: none"> 1. Tension incorrecte 8. La roue est bloquée ou desserrée sur l'arbre, usée ou endommagée, la cavité de la roue ou l'entrée est bouchée. 	<ol style="list-style-type: none"> 3. Veillez à ce que le niveau du liquide soit au dessus de l'aspiration. 4. Vérifiez à nouveau tous les calculs afin de déterminer la taille adéquate de la pompe. 5. Vérifiez la ligne de refoulement afin de vous assurer que rien ne gêne l'évacuation comme par exemple de la glace au cas où la ligne passe dans une zone froide.
La pompe fonctionne à une capacité insuffisante	<ol style="list-style-type: none"> 1. Tension incorrecte 4. Arrivée d'eau excessive ou la pompe n'est pas de la bonne taille pour ce genre d'utilisation 5. Quelque chose gêne le refoulement 6. Clapet anti-retour fermé ou installé à l'envers 7. Robinet de fermeture fermé 8. La roue est bloquée ou desserrée sur l'arbre, usée ou endommagée, la cavité de la roue ou l'entrée est bouchée 9. La pompe est bloquée en raison de l'air sous pression 	<ol style="list-style-type: none"> 6. Retirez et examinez le clapet anti-retour afin de vous assurer qu'il a été correctement installé et que rien ne gêne son bon fonctionnement. 7. Ouvrez la soupape 8. Vérifiez l'état de la roue, son bon fonctionnement et vérifiez également qu'elle est bien fixée. Nettoyez la cavité de la roue et l'entrée.
La pompe s'arrête et se met en marche sans que l'interrupteur soit déclenché. (enclenche le dispositif de protection thermique). ATTENTION! La pompe risque de démarrer à l'improviste. Débranchez l'alimentation électrique.	<ol style="list-style-type: none"> 1. Tension incorrecte 4. Arrivée d'eau excessive ou la pompe n'est pas de la bonne taille pour ce genre d'utilisation 8. La roue est bloquée ou desserrée sur l'arbre, usée ou endommagée, la cavité de la roue ou l'entrée est bouchée 12. La température de l'eau est excessivement élevée (protection interne uniquement) 	<ol style="list-style-type: none"> 9. Desserrez légèrement le raccord afin de laisser échapper l'air demeuré. 11. Réparez les branchements afin d'éviter toute fuite. 12. Vérifiez les limites de température de la pompe ainsi que celles des liquides. 13. Remplacez la partie du tuyau d'évacuation comprenant le raccord flexible.
La pompe fonctionne bruyamment ou vibre de façon excessive	<ol style="list-style-type: none"> 2c. Moteur défectueux. 8. La roue est bloquée ou desserrée sur l'arbre, usée ou endommagée, la cavité de la roue ou l'entrée est bouchée 13. Les raccords de tuyauterie allant à la structure de l'immeuble sont trop rigides ou trop desserrés 	<ol style="list-style-type: none"> 9. Desserrez légèrement le raccord afin de laisser échapper l'air demeuré. 11. Réparez les branchements afin d'éviter toute fuite. 12. Vérifiez les limites de température de la pompe ainsi que celles des liquides. 13. Remplacez la partie du tuyau d'évacuation comprenant le raccord flexible.

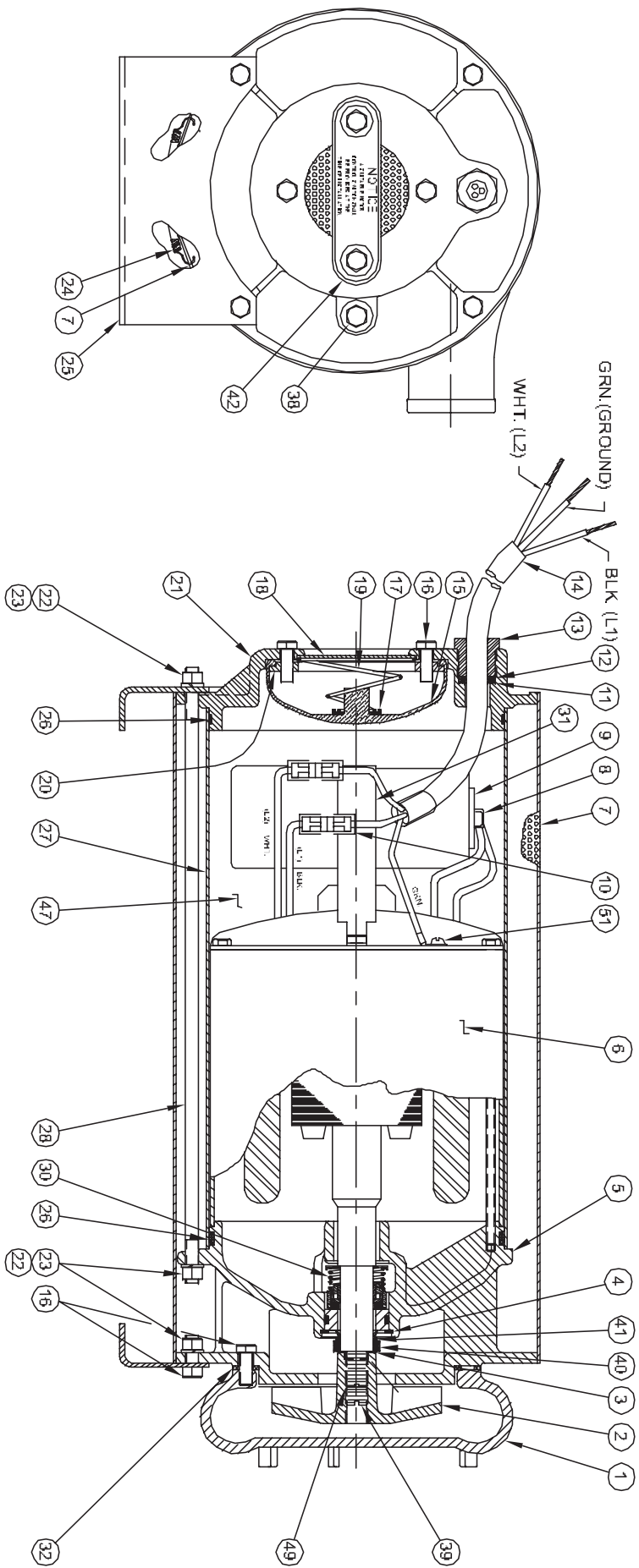


FIGURE 7

FRANÇAIS

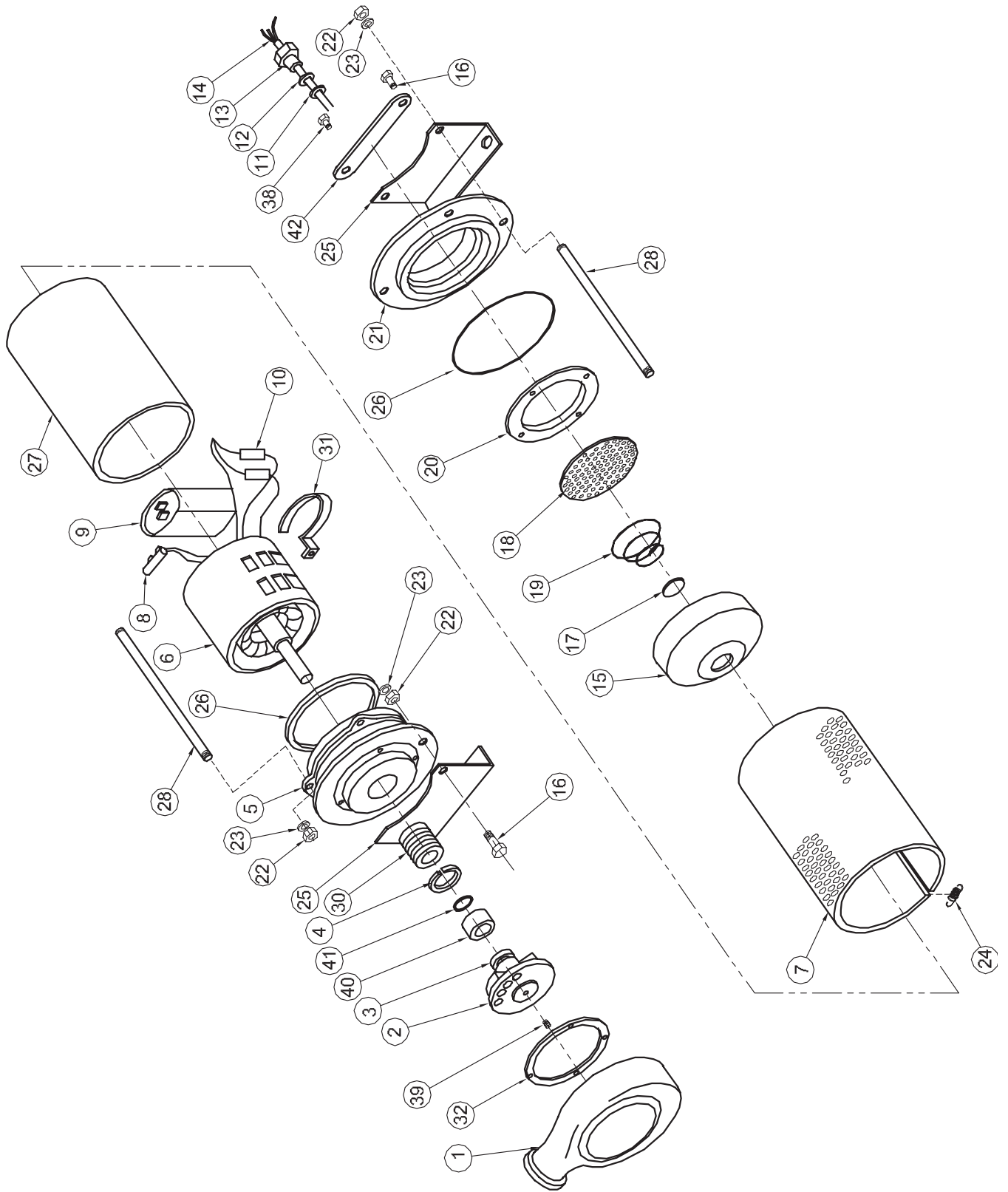


FIGURE 8

PARTS LISTKIT DE PIÈCES

Kit de réparation..... P/N 085244 (+) 3, 4, 10, 11, 14, 15, 16, 18, 19, 22, 23, 24, 26, 30, 32, 39, 40, 41, 49
Kit d'outil pour joint P/N 107271
Kit manomètre P/N 085343

LISTE DE PIÈCES

ARTICLE	QTÉ	NO. DE PIÈCE	DESCRIPTION
1	1	093277	Volute
2	1	024331	Roue, bronze SFU31, SFU2W2L, 2P536
		024332	SFU51, SFU3W2L, 2P537
		024333	SFU71, SFU72, SFU4W2L,
		024333	SFU4X2L, 2P538
		024334	SFU102, SFU6X2L, 2P539
3	6	024336	+ Cale, .010
4	1	023702	+ Bague de retenue
5	1	093279	Manchon de roulement intermédiaire
6	1	023254	Moteur SFU31, SFU2W2L, 2P536
		023255	SFU51, SFU3W2L, 2P537
		024308	SFU71, SFU4W2L, 2P538
		023256	SFU72, SFU4X2L
		023257	SFU102, SFU6X2L, 2P539
7	1	086625	Grille, inoxydable
8	1	034322	Bornier
9	1	070963	Condensateur 370V, 20MFD
		070965	Condensateur, SFU71, 2P538, SFU4W2L, 370V, 25MFD
10	2	079318	+ Connecteur de borne
11	1	014896	+ Passe-fils
12	2	085673	Anneau de friction
13	1	026857	Écrou presse-étoupe
14	1	086039	+ Cordon
15	1	019213	+ Diaphragme
16	10	1-4-1	+ Vis à tête hexagonale 1/4-20 X.625" Lg
17	1	030509	Guide due ressort
18	1	023699	+ Grille
19	1	023459	+ Ressort
20	1	019247	Bague d'appui
21	1	026850	Embout de logement
22	10	15-5-1	+ Écrou hexagonal 1/2-20, SS
23	10	20-13-1	+ Rondelle de sécurité 1/4" SS
24	4	023501	+ Ressort
25	2	023316	Support de pompe
26	2	016068	+ Joint torique
27	1	088356	Logement en forme de tube
28	4	023695	Tige 1/4-20 x 11.812 Inoxydable
30	1	023701	+ Joint de l'arbre C/CE/B
31	1	039858	Support de condensateur
32	1	024335	+ Joint
33	1	022229	Tube de rétrécissement (non indiqué)
38	1	01691-A	Bouchon de tuyau 1/8" NPT, Bronze
39	1	026155	+ Vis à tête fendue 7/16-20
40	1	025756	+ Joint d'entretoise Buna-N
41	1	056789	+ Anneau en V Buna-N
47	3.5 Litros	029034	Huile de refroidissement, SFU31, SFU2W2L, 2P536, SFU51, SFU3W2L, 2P537
	3.2 Litros	029034	SFU71, SFU4W2L, SP538, SFU72, SFU4X2L
	2.7 Litros	029034	SFU102, SFU6X2L, 2P539
49	1	053421	+ Rondelle de sécurité #10, Inoxydable
51	1	087802	Vis autotaraudeuse 8-32 x.31 po, de large

BARNES®**burks®****WEINMAN®****DEMING®****PROSSER®**

Garantía limitada por 24 meses

Crane Pumps & Systems garantiza que los productos que fabricamos no tendrán defectos en los materiales o en la fabricación en condiciones normales de uso y mantenimiento durante un período de veinticuatro (24) meses después de ser fabricados, siempre y cuando se instalen y se mantengan de acuerdo con nuestras instrucciones. Esta garantía le otorga derechos legales específicos, y es posible que existan otros derechos que varían de un estado a otro. En caso de que el producto esté cubierto por la Ley federal sobre garantías de productos de consumo (1) la duración de cualquier garantía implícita relacionada con el producto en virtud de dicha ley se limita a la misma duración declarada aquí; (2) esta garantía es una GARANTIA LIMITADA, y (3) ningún reclamo de ninguna clase puede presentarse contra nosotros hasta que el consumidor final, su sucesor o delegados, nos notifiquen por escrito sobre el defecto, y entreguen el producto y/o toda pieza defectuosa, con costos de envío prepagados, a nuestra fábrica o al centro de servicio autorizado más cercano. Algunos estados no permiten limitaciones en cuanto a la duración de una garantía implícita, por consiguiente, es posible que la limitación descrita arriba no tenga validez en su caso. EL UNICO Y EXCLUSIVO REMEDIO PARA EL INCUMPLIMIENTO DE TODA GARANTIA CON RELACION A CUALQUIER PRODUCTO SERA REEMPLAZAR O REPARAR A CRITERIO NUESTRO LOS PRODUCTOS Y/O PIEZAS QUE SE COMPRUEBE TENGAN DEFECTOS, EN UN PUNTO DE FABRICACION F.O.B O CENTRO DE REPARACION AUTORIZADO. NO EXISTIRA RESPONSABILIDAD MAS ALLA DE LO INDICADO ARRIBA, SIN IMPORTAR SI SE BASA EN LA GARANTIA, NEGLIGENCIA O CUALQUIER OTRO CRITERIO. A menos que se indique lo contrario explícitamente, toda garantía suministrada que se base en las especificaciones del funcionamiento, además de las garantías precedentes para materiales y fabricación de un producto hecho por nosotros, si existe, se someten a pruebas de laboratorio modificadas para el funcionamiento fuera de la fábrica. Toda garantía adicional, que se base en las especificaciones del funcionamiento, debe existir por escrito y llevar la firma de nuestro representante autorizado. Debido a errores en las pruebas fuera de fábrica, si surge un conflicto entre los resultados de las pruebas fuera de fábrica realizadas por o para el usuario y las pruebas de laboratorio modificadas para funcionamiento fuera de fábrica, éstas últimas tendrán validez sobre las primeras. LAS RECOMENDACIONES PARA USOS ESPECIALES, O LAS RECOMENDACIONES DERIVADAS DE LOS ANALISIS Y EVALUACIONES DE SISTEMAS QUE REALICEMOS, SE BASARAN EN NUESTRA MEJOR EXPERIENCIA DISPONIBLE E INFORMACION PUBLICADA SOBRE LA INDUSTRIA. TALES RECOMENDACIONES NO CONSTITUYEN UNA GARANTIA DE FUNCIONAMIENTO SATISFACTORIO Y NO SE OTORGA DICHA GARANTIA.

Esta garantía no tendrá validez cuando el daño sea causado por (a) instalación incorrecta, (b) voltaje incorrecto (c) rayos (d) arena excesiva u otro material abrasivo (e) acumulación de sarro o corrosión debido a un contenido excesivo de químicos. Asimismo, toda modificación al equipo original anulará la garantía. No nos haremos responsables por pérdidas, daños o costos de mano de obra debidos a interrupciones del servicio producidos por piezas defectuosas. Tampoco aceptaremos cobros por gastos incurridos por terceros sin previa aprobación nuestra por escrito.

Esta garantía se anula si nuestra inspección revela que el producto fue utilizado de una manera que no corresponde a la práctica normal de la industria y/o nuestras recomendaciones específicas. El comprador es responsable de comunicar toda la información necesaria en cuanto a la aplicación y el uso del producto. BAJO NINGUNA CIRCUNSTANCIA NOS HAREMOS RESPONSABLES POR OTROS DAÑOS DIRECTOS O SECUNDARIOS, INCLUYENDO Y SIN LIMITACIONES: GASTOS DE VIAJE, EQUIPO ARRENDADO, HONORARIOS DE UN CONTRATISTA EXTERNO, GASTOS NO AUTORIZADOS A UN TALLER, PERDIDA DE GANANCIAS, INGRESOS, COBROS POR MANO DE OBRA, DEMORAS EN LA PRODUCCION, CESE DE LA PRODUCCION, DAÑOS PRODUCIDOS POR DEFECTOS EN LOS MATERIALES Y/O FABRICACION Y/O DAÑOS O DEMORAS EN EL ENVIO.

ESTA GARANTIA REEMPLAZA EXPRESAMENTE CUALQUIER OTRA GARANTIA EXPRESA O IMPLICITA, INCLUYENDO TODA GARANTIA DE COMERCIALIZACION O CAPACIDAD PARA UN PROPOSITO ESPECIFICO.

Ningún derecho otorgado bajo esta garantía deberá asignarse a ninguna otra persona, ya sea por provisiones de ley o de otra clase, sin previa aprobación nuestra por escrito.

CRANE®**PUMPS & SYSTEMS**

A Crane Co. Company

420 Third Street
Piqua, Ohio 45356
(937) 778-8947
Fax (937) 773-7157
www.cranepumps.com

83 West Drive
Brampton, Ont. Canada L6T 2J6
(905) 457-6223
Fax (905) 457-2650

**F
R
A
N
Ç
A
I
S**

**IMPORTANT!
ENREGISTREMENT DE GARANTIE**

Votre produit est couvert par la garantie ci-jointe. Remplissez le formulaire d'enregistrement de garantie auprès du site :

<http://www.cranepumps.com/ProductRegistration/>

Pour tout recours en garantie, contactez votre distributeur local de Crane Pumps & Systems, Inc.

PRODUITS RENVOYÉS

TOUTE MARCHANDISE RENVOYÉE DOIT ÊTRE ACCOMPAGNÉE D'UNE « AUTORISATION DE RENVOI DE PRODUIT » CONTACTEZ VOTRE DISTRIBUTEUR CRANE PUMPS & SYSTEMS, INC.



Les produits renvoyés doivent être nettoyés, aseptisés ou décontaminés avant d'être expédiés, pour garantir que les employés ne courent pas de risques sanitaires lors de leur manipulation. Toutes les lois et réglementations en vigueur devront être appliquées.