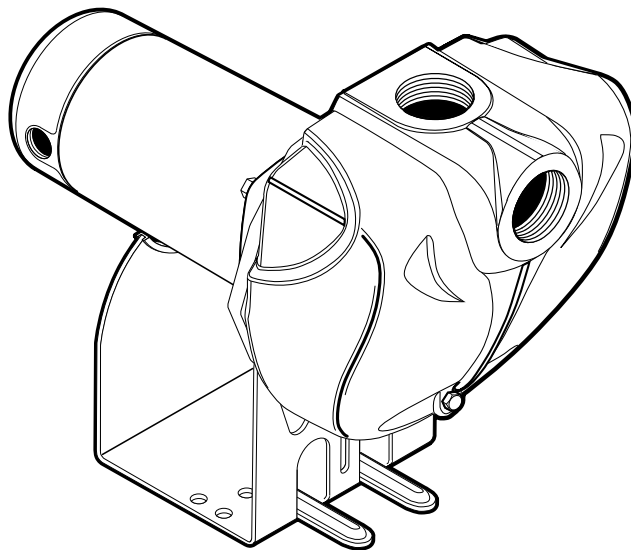


**BERKELEY®****“LTHH” Series****Installation/Operation/Parts**

For further operating, installation, or maintenance assistance:

**Call 1-888-782-7483**

## READ AND FOLLOW SAFETY INSTRUCTIONS!

**⚠** This is the safety alert symbol. When you see this symbol on your pump or in this manual, look for one of the following signal words and be alert to the potential for personal injury.

**⚠ DANGER** warns about hazards that **will** cause serious personal injury, death or major property damage if ignored.

**⚠ WARNING** warns about hazards that **can** cause serious personal injury, death or major property damage if ignored.

**⚠ CAUTION** warns about hazards that **will** or **can** cause minor personal injury or property damage if ignored.

The label **NOTICE** indicates special instructions which are important but not related to hazards.

**Carefully read and follow all safety instructions in this manual and on pump.**

Keep safety labels in good condition.

Replace missing or damaged safety labels.

### California Proposition 65 Warning

**⚠ WARNING** This product and related accessories contain chemicals known to the State of California to cause cancer, birth defects or other reproductive harm.

## ELECTRICAL SAFETY

**⚠ WARNING**



**Hazardous voltage. Can shock, burn, or cause death.**

Ground pump before connecting to power supply.


**⚠** Wire motor for correct voltage. See “Electrical” section of this manual and motor nameplate.

**⚠** Ground motor before connecting to power supply.

**⚠** Meet National Electrical Code, Canadian Electrical Code, and local codes for all wiring.

**⚠** Follow wiring instructions in this manual when connecting motor to power lines.

## GENERAL SAFETY

	<p><b>⚠ WARNING</b></p> <p><b>Hazardous pressure! Install pressure relief valve in discharge pipe.</b></p> <p>Release all pressure on system before working on any component.</p>
--	---

**⚠ CAUTION** **Do not touch an operating motor.** Modern motors can operate at high temperatures. To avoid burns when servicing pump, allow it to cool for 20 minutes after shut-down before handling.

Pump is designed as a lawn sprinkler only. To avoid heat built-up, over pressure hazard and possible injury, do not use in a pressure tank (domestic water) system. Do not use as a booster pump; pressurized suction may cause pump body to explode.

Do not allow pump or piping system to freeze. Freezing can damage pump and pipe, may lead to injury from equipment failure and will void warranty.

Pump water only with this pump.

Periodically inspect pump and system components.

Wear safety glasses at all times when working on pumps.

Keep work area clean, uncluttered and properly lighted; store properly all unused tools and equipment.

Keep visitors at a safe distance from the work areas.

Make workshops childproof; use padlocks and master switches; remove starter keys.

**Thank you for purchasing a top quality, factory tested pump.**

	<b>Page</b>
Safety.....	2
Warranty.....	3
Installation.....	4-5
Electrical.....	6, 7
Operation .....	7
Maintenance.....	8-10
Troubleshooting.....	11
Repair Parts .....	12

## Limited Warranty

BERKELEY warrants to the original consumer purchaser (“Purchaser” or “You”) of the products listed below, that they will be free from defects in material and workmanship for the Warranty Period shown below.

Product	Warranty Period
<b>Water Systems:</b>	
Water Systems Products — jet pumps, small centrifugal pumps, submersible pumps and related accessories	<i>whichever occurs first:</i> 12 months from date of original installation, or 18 months from date of manufacture
Pro-Source™ Composite Tanks	5 years from date of original installation
Pro-Source™ Steel Pressure Tanks	5 years from date of original installation
Pro-Source™ Epoxy-Lined Tanks	3 years from date of original installation
Sump/Sewage/Effluent Products	12 months from date of original installation, or 18 months from date of manufacture
<b>Agricultural/Commercial:</b>	
Centrifugals – close-coupled motor drive, frame mount, SAE mount, engine drive, VMS, SSCX, SSHM, solids handling, submersible solids handling	12 months from date of original installation, or 24 months from date of manufacture
Submersible Turbines, 6” diameter and larger	12 months from date of original installation, or 24 months from date of manufacture

Our limited warranty will not apply to any product that, in our sole judgement, has been subject to negligence, misapplication, improper installation, or improper maintenance. Without limiting the foregoing, operating a three phase motor with single phase power through a phase converter will void the warranty. Note also that three phase motors must be protected by three-leg, ambient compensated, extra-quick trip overload relays of the recommended size or the warranty is void.

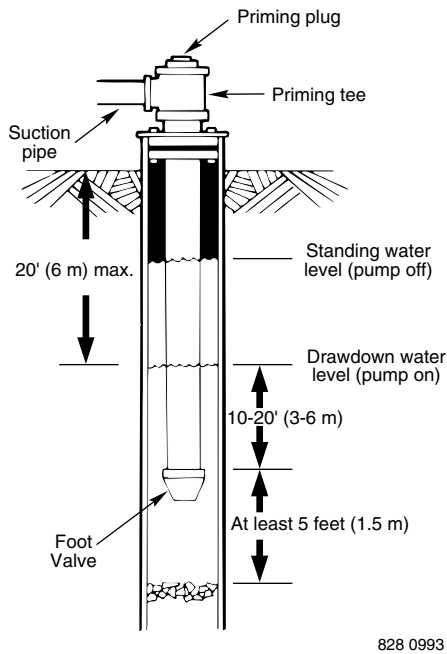
Your only remedy, and BERKELEY’s only duty, is that BERKELEY repair or replace defective products (at BERKELEY’s choice). You must pay all labor and shipping charges associated with this warranty and must request warranty service through the installing dealer as soon as a problem is discovered. No request for service will be accepted if received after the Warranty Period has expired. This warranty is not transferable.

BERKELEY SHALL NOT BE LIABLE FOR ANY CONSEQUENTIAL, INCIDENTAL, OR CONTINGENT DAMAGES WHATSOEVER. THE FOREGOING LIMITED WARRANTIES ARE EXCLUSIVE AND IN LIEU OF ALL OTHER EXPRESS AND IMPLIED WARRANTIES, INCLUDING BUT NOT LIMITED TO IMPLIED WARRANTIES OF MERCHANTABILITY AND FITNESS FOR A PARTICULAR PURPOSE. THE FOREGOING LIMITED WARRANTIES SHALL NOT EXTEND BEYOND THE DURATION PROVIDED HEREIN.

Some states do not allow the exclusion or limitation of incidental or consequential damages or limitations on the duration of an implied warranty, so the above limitations or exclusions may not apply to You. This warranty gives You specific legal rights and You may also have other rights which vary from state to state.

This Limited Warranty is effective June 1, 2011 and replaces all undated warranties and warranties dated before June 1, 2011.

**In the U.S.: BERKELEY, 293 Wright St., Delavan, WI 53115**  
**In Canada: 269 Trillium Dr., Kitchener, Ontario N2G 4W5**



828 0993  
**Figure 1: Cased/Dug Well Installation**

## BEFORE YOU INSTALL YOUR PUMP

**NOTICE:** Well must not be more than 20' depth to water.

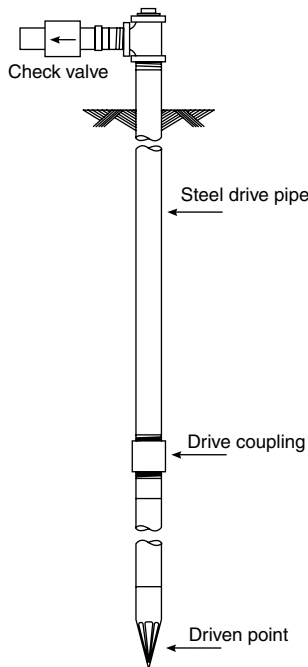
1. Long runs and many fittings increase friction and reduce flow. Locate pump as close to well as possible: use as few elbows and fittings as possible.
2. Be sure well is clear of sand. Sand will plug the pump and void the warranty.
3. Protect pump and all piping from freezing. Freezing will split pipe, damage pump and void the warranty. Check locally for frost protection requirements (usually pipe must be 12" below frost line and pump must be insulated).
4. Be sure all pipes and foot valve are clean and in good shape.
5. No air pockets in suction pipe.
6. No leaks in suction pipe. Use PTFE pipe thread sealant tape to seal pipe joints.
7. Unions installed near pump and well will aid in servicing. Leave room use wrenches.
8. **⚠ WARNING** Pump body may explode if used as a booster pump. **DO NOT** use in a booster application.

## WELL PIPE INSTALLATION

**NOTICE:** Use the installation method below which matches your well type.

### CASED WELL INSTALLATION

1. Inspect foot valve to be sure it works freely. Inspect strainer to be sure it is clean.
2. Connect foot valve and strainer to the first length of suction pipe and lower pipe into well. Add sections of pipe as needed, using PTFE pipe thread sealant tape on male threads. Be sure that all suction pipe is leakproof or pump will lose prime and fail to pump. Install foot valve 10 to 20 feet below the lowest level to which water will drop while pump is operating (pumping water level). Your well driller can furnish this information.
3. To prevent sand and sediment from entering the pumping system, the foot valve/strainer should be at least 5 feet above the bottom of the well.
4. When the proper depth is reached, install a sanitary well seal over the pipe and in the well casing. Tighten the bolts to seal the casing.
5. When using a foot valve, a priming tee and plug as shown in Figure 1 are recommended.



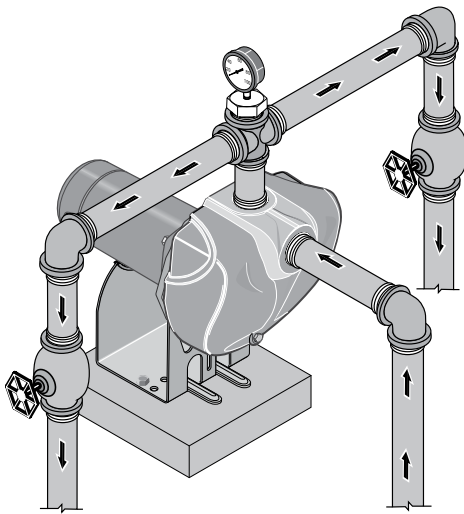
**Figure 2: Driven Point Installation**

### DUG WELL INSTALLATION

Same as cased well installation.

### DRIVEN POINT INSTALLATION

1. Connect the suction pipe to the drive point as illustrated in Figure 2. Keep horizontal pipe run as short as possible. Use PTFE pipe thread sealant tape on male pipe threads. Multiple well points may be necessary to provide sufficient water to pump.
2. Install a check valve in horizontal pipe. Flow arrow on check valve must point toward pump.



**Figure 3: Multiple Discharge**

## HORIZONTAL PIPING FROM WELL TO PUMP

1. Never install a suction pipe that is smaller than the suction port of the pump.
2. To aid priming on well point installations, install a line check valve as shown in Figure 2. Be sure check valve flow arrow points toward pump.

## DISCHARGE PIPE SIZES

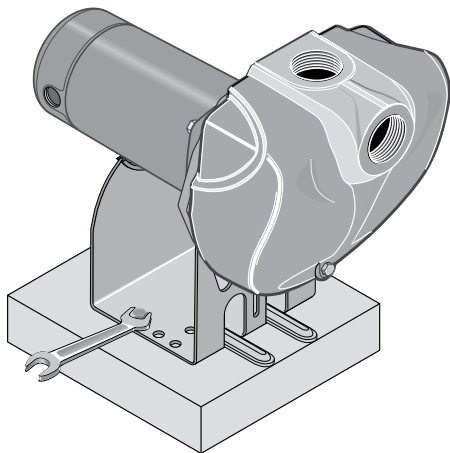
1. If increasing discharge pipe size, install reducer in pump discharge port. Do not increase pipe size by stages.
2. When the pump is set away from the points of water use, the discharge pipe size should be increased to reduce pressure losses caused by friction.
  - Up to 100' run: Same size as pump discharge port.
  - 100' to 300' run: Increase one pipe size.
  - 300' to 600' run: Increase two pipe sizes.

## LAWN SPRINKLING APPLICATION

This pump is designed for lawn sprinkling. It is designed to deliver plenty of water at full sprinkler pressure. It can pump from a pond, cistern or well points.

Pump discharge can be divided to supply two (2) or more sprinkler systems. A suggested multiple discharge to service is shown in Figure 3.

Do not use in a pressure tank or booster pump application.



3023 0997 DS3

**Figure 4: Bolt Pump Down**

## PUMP INSTALLATION

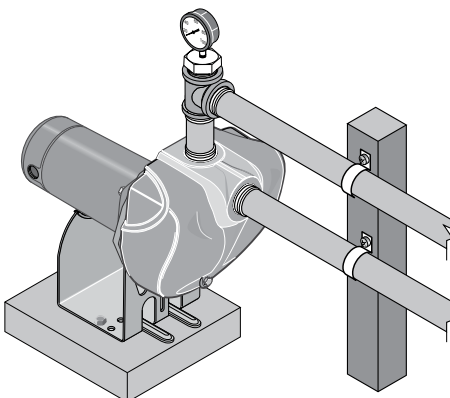
**NOTICE:** Use only PTFE pipe thread sealant tape for making all threaded connections to the pump itself. **Do not use pipe joint compounds on plastic pumps:** they can react with the plastic in the pump components. Make sure that all pipe joints in the suction pipe are air tight as well as water tight. *If the suction pipe can suck air, the pump will not be able to pull water from the well.*

1. Bolt pump to solid, level foundation.
2. Support all piping connected to the pump.
3. Wrap 1-1/2 to two layers of PTFE pipe thread sealant tape clockwise (as you face end of pipe) on all male threads being attached to pump.
4. Tighten joints hand tight plus 1-1/2 turns. Do not overtighten.

**NOTICE:** Install pump as close to well head as possible. Long piping runs and many fittings create friction and reduce flow.

**NOTICE:** For long horizontal pipe runs, install a priming tee between check valve and well head as shown in Figure 1. For driven point installations, install a check valve as shown in Figure 2. Be sure check valve flow arrow points **toward** pump.

Use schedule 80 or iron pipe. See “Well Pipe Installation” for more information.



**Figure 5: Independently Support All Piping Attached to Pump**

Connection diagram for dual voltage, single-phase motors. Your dual-voltage motor's terminal board (under the motor end cover) will match one of the diagrams below. Follow that diagram if necessary to convert motor to 115 Volt power.

Connect power supply wires to L1 and L2. For 3-phase motors, or if motor does not match these pictures, follow the connection diagram on the motor nameplate.

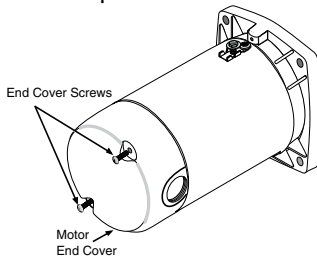
## MOTOR SWITCH SETTINGS

Dual-voltage motors (motors that can operate at either 115 or 230 volts), are set at the factory to 230 volts. Do not change motor voltage setting if line voltage is 230 volts, or if you have a single voltage motor.

**NOTE:** Never wire a 115 volt motor to a 230 volt line.

## REMOVE MOTOR END COVER

If you have a dual-voltage motor, and will connect it to 115 volts, follow the procedure below.

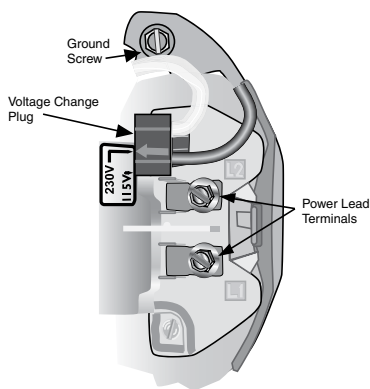


**Figure 6: Removing Motor End Cover**

You will need to remove the motor end cover to change the voltage setting.

Your motor terminal board (located under the motor end cover) should look like one of those below.

## PLUG TYPE VOLTAGE SELECTOR



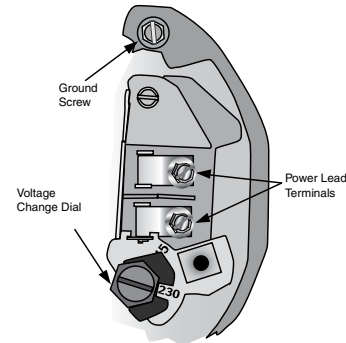
**Figure 7: Voltage set to 230 volts, Plug Type**

To change to 115 volts:

1. Make sure power is off.
2. Pull the plug straight up.
3. Move and attach the plug at the 115 volt position. The plug will now cover 2 metal tabs. The arrow on the plug will point to 115V.
4. Attach the power lead wires to the power lead terminals. Make sure the wires are secure.

5. Attach the ground wire to the green ground screw
  6. Reinstall the Motor end cover
- Go to Wiring Connections below.

## DIAL TYPE VOLTAGE SELECTOR



**Figure 8: Voltage set to 230 volts, Dial Type**

To change to 115 volts:

1. Make sure power is off.
  2. Turn the dial counter-clockwise until 115 shows in the dial window.
  3. Attach the power lead wires to the power lead terminals. Make sure the wires are secure.
  4. Attach the ground wire to the green ground screw
  5. Reinstall the Motor end cover
- Go to Wiring Connections below.

**⚠ WARNING Hazardous voltage. Can shock, burn, or cause death. Disconnect power to motor before working on pump or motor. Ground motor before connecting to power supply.**

**For All 3-phase Motors:** Follow the wiring diagram on the motor junction box or on the motor nameplate. For 575 volt installations, consult a licensed electrician.

## WIRING CONNECTIONS

**⚠ Ground motor before connecting to electrical power supply. Failure to ground motor can cause severe or fatal electrical shock hazard.**

**⚠ Do not ground to a gas supply line.**

**⚠ To avoid dangerous or fatal electrical shock, turn OFF power to motor before working on electrical connections.**

**⚠ Supply voltage must be within  $\pm 10\%$  of nameplate voltage. Incorrect voltage can cause fire or damage motor and voids warranty. If in doubt consult a licensed electrician.**

**⚠ Use wire size specified in Wiring Chart, Page 7. If possible, connect pump to a separate branch circuit with no other appliances on it.**

**⚠ Wire motor according to diagram on motor nameplate. If nameplate diagram differs from diagrams above, follow nameplate diagram.**

Wiring Chart – Recommended Wire and Fuse Sizes

Model	HP	Max. Load Amp	Volts/Hz Phase	Branch Fuse Rating Amp	DISTANCE IN FEET(METERS) FROM MOTOR TO SUPPLY			
					0 - 50 (0 - 15)	51 - 100 (31 - 61)	101 - 200 (62 - 91)	201 - 300 (92 - 122)
					AWG WIRE SIZE (mm <sup>2</sup> )			
10LTHH	1	14.8/7.4	115/230/60/1	20/15	12/14 (3/2)	12/14 (3/2)	8/14 (8.4/2)	6/14 (14/2)
15LTHH	1-1/2	20/10	115/230/60/1	25/15	10/14 (5.5/2)	10/14 (5.5/2)	8/14 (8.4/2)	6/12 (14/3)
20LTHH	2	24/12	115/230/60/1	30/15	12/14 (3/2)	10/14 (5.5/2)	6/14 (14/2)	6/12 (14/3)
25LTHH	2-1/2	26/13	115/230/60/1	30/20	12/14 (3/2)	10/14 (5.5/2)	6/14 (14/2)	4/12 (21/3)
10LTHH3	1	3.6/1.8	230/460/60/3	15/15	14/14(2/2)	14/14(2/2)	14/14(2/2)	14/14(2/2)
15LTHH3	1-1/2	4.7/2.3	230/460/60/3	15/15	14/14(2/2)	14/14(2/2)	14/14(2/2)	14/14(2/2)
20LTHH3	2	6.8/3.4	230/460/60/3	15/15	14/14(2/2)	14/14(2/2)	14/14(2/2)	14/14(2/2)
25LTHH3	2-1/2	8.5/4.25	230/460/60/3	15/15	14/14(2/2)	14/14(2/2)	14/14(2/2)	14/14(2/2)

NOTICE: For 575 Volt installations, consult a licensed electrician.

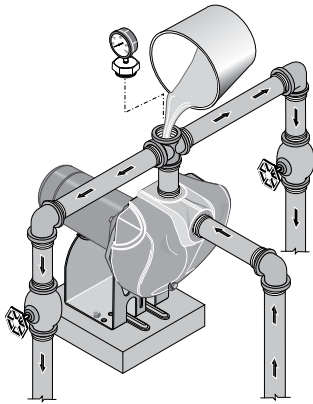


Figure 9: Remove Priming Plug and Fill Pump Before Starting

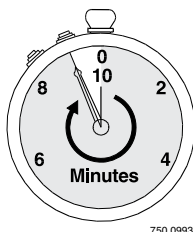


Figure 10: Run Ten Minutes or Less

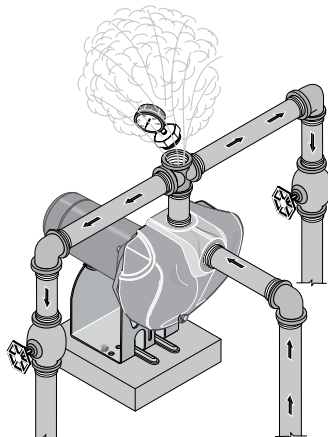


Figure 11: Do Not Run Pump with Discharge Shut-off

1. Install, ground, wire and maintain this pump in accordance with electrical code requirements. Consult your local building inspector for information about codes.
2. Provide a correctly fused disconnect switch for protection while working on motor. Consult local or national electrical codes for switch requirements.
3. Disconnect power before servicing motor or pump. If the disconnect switch is out of sight of pump, lock it open and tag it to prevent unexpected power application.
4. Ground the pump permanently using a wire of the same size as that specified in wiring chart, below. Make ground connection to green grounding terminal under motor canopy marked GRD. or  $\perp$ .
5. Connect ground wire to a grounded lead in the service panel or to a metal underground water pipe or well casing at least 10 feet long. Do not connect to plastic pipe or insulated fittings.
6. Protect current carrying and grounding conductors from cuts, grease, heat, oil, and chemicals.
7. Connect current carrying conductors to terminals L<sub>1</sub> and L<sub>2</sub> under motor canopy. When replacing motor, check wiring diagram on motor nameplate against Figure 6. If the motor wiring diagram does not match either diagram in Figure 6, follow the diagram on the motor.

**IMPORTANT:** 115/230 Volt single phase models are shipped from factory with motor wired for 230 volts. If power supply is 115 volts, remove motor canopy and reconnect motor as shown in Figure 6. Do not try to run motor as received on 115 volt current.

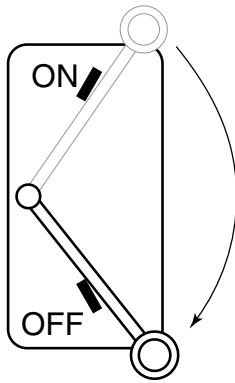
8. Motor has automatic internal thermal overload protection. If motor has stopped for unknown reasons, thermal overload may restart it unexpectedly, which could cause injury or property damage. Disconnect power before servicing motor.
9. If this procedure or the wiring diagrams are confusing, consult a licensed electrician.

**PRIMING THE PUMP**

**NOTICE:** ‘Priming’ refers to the pump expelling all air in the system and beginning to move water from its source out into the system. It does not refer only to pouring water into the pump (although pouring water in is usually the first step).

**NOTICE: NEVER run pump dry.** Running pump without water in it will damage seals and can melt impeller and diffuser. To prevent damage, **fill pump with water before starting.**

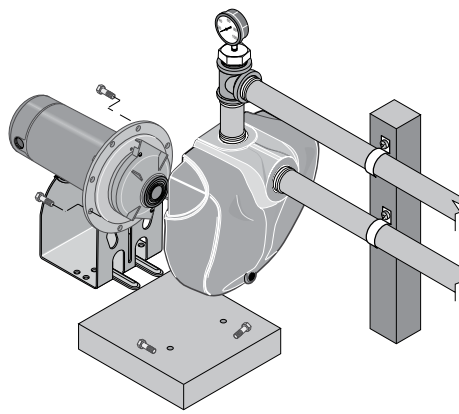
1. Remove priming plug (Figure 9).
2. Make sure suction and discharge valves and any hoses on discharge side of pump are open.



1060B 0997

**Figure 12: Disconnect Power**

3. Fill pump and suction pipe with water.
4. Replace priming plug, using PTFE pipe thread sealant tape on thread; tighten plug.  
**NOTICE:** If a priming tee and plug have been provided for a long horizontal run, be sure to fill suction pipe through this tee and replace plug. (Don't forget to tape the plug.)
5. Start pump: water should be produced in 10 minutes or less, the time depending on depth to water (not more than 20') and length of horizontal run (10' of horizontal suction pipe = 1' of vertical lift due to friction losses in the pipe).  
If no water is produced within 10 minutes, stop pump, release all pressure, remove priming plug, refill and try again.



3027 0997 DS3

**Figure 13: Slide Motor Back**

**▲WARNING** Hazardous pressure and risk of explosion and scalding. If pump is run continuously at no flow (that is, with discharge shut off or without priming), water may boil in pump and piping system. Under steam pressure, pipes may rupture, blow off of fittings or blow out of pump ports and scald anyone near.

To prevent explosion, do the following:

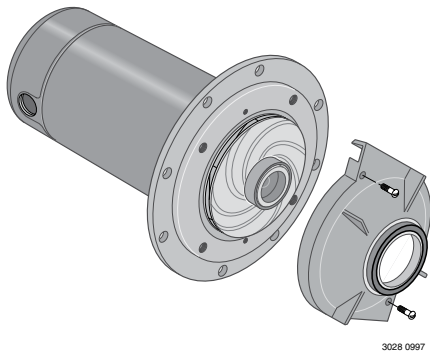
- A. Be sure discharge (valve, pistol grip hose nozzle, etc.) is open whenever pump is running.
- B. If pump fails to produce water when attempting to prime, release all pressure, drain pump and refill with cold water after every two attempts.
- C. When priming, monitor pump and piping temperature. If pump or piping begin to feel warm to the touch, shut off pump and allow system to cool off. Release all pressure in system and refill pump and piping with cold water.

Pump and piping need not be disconnected to repair or replace motor or seal (see Figure 13). If motor is replaced, replace the shaft seal (Key No. 5, Page 12). Keep one on hand for future use.

Be sure to prime pump before starting.

**NOTICE:** Check motor label for lubrication instructions. The mechanical shaft seal in the pump is water lubricated and self-adjusting.

**NOTICE:** Drain pump when disconnecting from service or when it might freeze.



3028 0997

**Figure 14: Remove Diffuser**

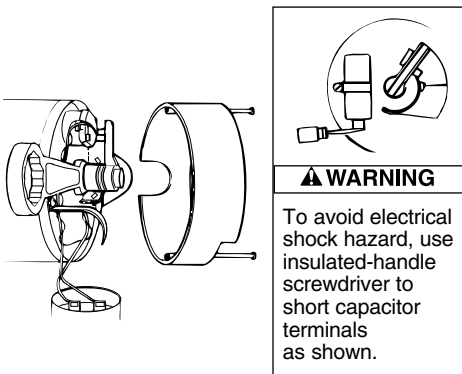
## PUMP DISASSEMBLY

1. Disconnect power to motor.  
**NOTICE:** Mark wires for correct assembly.
2. Remove capscrews holding seal plate to pump body. Motor assembly and seal plate can now be pulled away from pump body (Figure 13). CAREFULLY remove gasket.

## CLEANING/REPLACING IMPELLER

**NOTICE:** First, follow instructions under "Pump Disassembly".

1. Remove screws fastening diffuser to seal plate; remove diffuser (see Figure 14). Exposed impeller can now be cleaned.
2. If impeller must be replaced, loosen two machine screws and remove motor canopy (see Figure 15).
3. **▲WARNING** Capacitor voltage may be hazardous. To discharge capacitor, hold insulated handle screwdriver **BY THE HANDLE** and short capacitor terminals together (see Figure 15). Do not touch metal screwdriver blade or capacitor terminals. If in doubt, consult a qualified electrician.



**Figure 15: Hold Shaft**

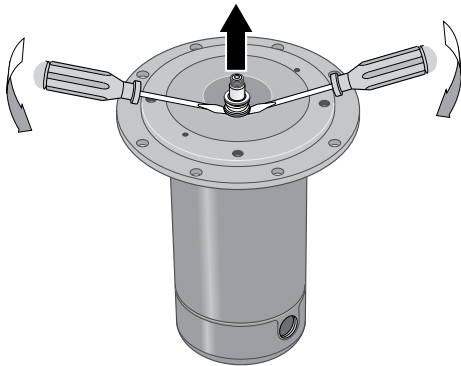


Figure 16: Remove Seal plate

3029 0907

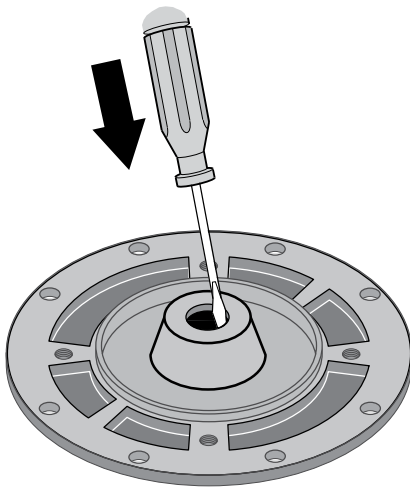


Figure 17: Tap Out Seal

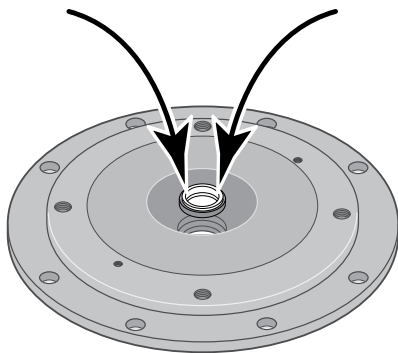


Figure 18: Press in New Seal

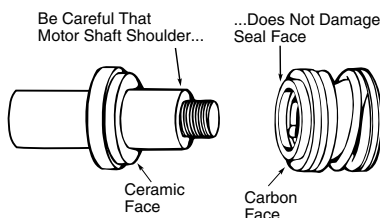


Figure 19: Protect Seal Faces

4. Unscrew capacitor clamp and remove capacitor. Do not disconnect capacitor wires to motor.
5. Slide 7/16" open end wrench in behind spring loaded switch on motor end of shaft; hold motor shaft with wrench on shaft flats and unscrew impeller screw (if used) by turning clockwise (**left hand thread**) when looking into eye of impeller.
6. Unscrew impeller while holding shaft by turning **counterclockwise** while looking into eye of impeller.
7. To reinstall, reverse steps 1 through 6.
8. See directions under "Pump Reassembly," Page 10.

## REMOVING OLD SEAL

1. Follow instructions under "Pump Disassembly".
2. Follow steps 2 through 5 under "Cleaning/Replacing Impeller".
3. Remove rotating half of seal by placing two screwdrivers under seal ring and **carefully** prying up (Figure 16).
4. Remove nuts from studs holding seal plate to motor. Carefully slide seal plate off of shaft.
 

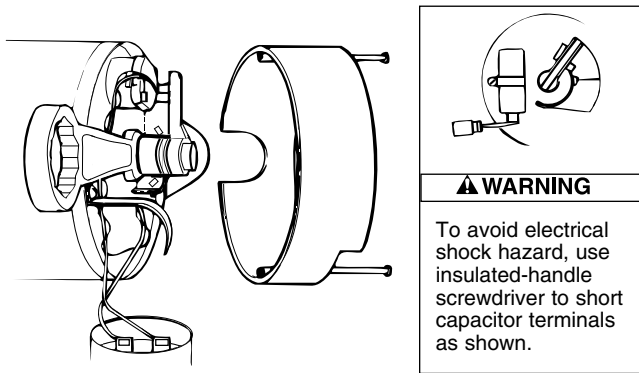
**NOTICE:** Be sure you do not scratch or mar shaft; if shaft is marred, it must be dressed smooth with fine emery or crocus cloth before installing new seal. **DO NOT** reduce shaft diameter!
5. Place seal plate half face down on flat surface and tap out stationary half of seal (see Figure 17).

## INSTALLING NEW SEAL

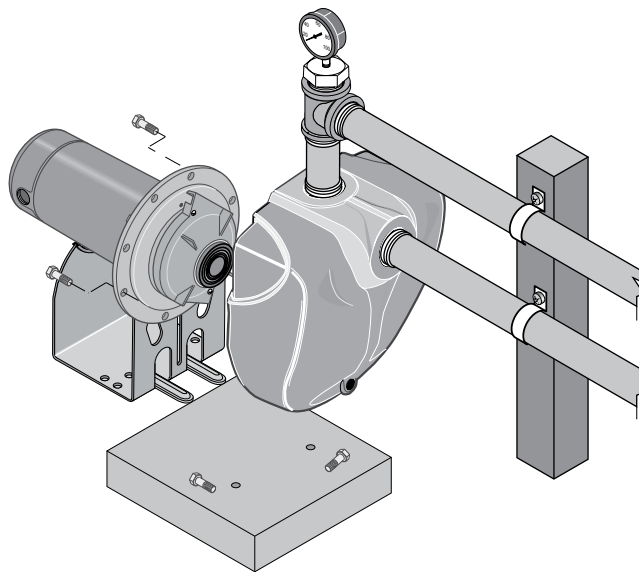
1. Clean seal cavity in seal plate.
2. Wet outer edge of Rubber Cup on ceramic seat with liquid soap. Be sparing!
3. Put clean cardboard washer on seal face. With thumb pressure, press ceramic seal half firmly and squarely into seal cavity (See Figure 18). Polished face of ceramic seat is up. If seal will not seat correctly, remove, placing seal face up on bench. Reclean cavity. Seal should now seat correctly.
4. If seal does not seat correctly after recleaning cavity, place a cardboard washer over polished seal face and **carefully** press into place using a piece of standard 3/4" pipe as a press.
 

**NOTICE:** Be sure you do not scratch seal face.
5. Dispose of cardboard washer and recheck seal face to be sure it is free of dirt, foreign particles, scratches and grease.
6. Inspect shaft to be sure it is free of nicks and scratches.
7. Reassemble pump body half to motor flange. **BE SURE** it is right side up.
8. Apply liquid soap sparingly (one drop is sufficient) to inside diameter of rotating seal member.
9. Slide rotating seal member (carbon face first) onto shaft until rubber drive ring hits shaft shoulder.

**NOTICE:** Be sure not to nick or scratch carbon face of seal when passing it over threaded shaft end or shaft shoulder. The carbon surface must remain clean or short seal life will result.



**Figure 20: Hold Shaft**



3027 0997 DS3

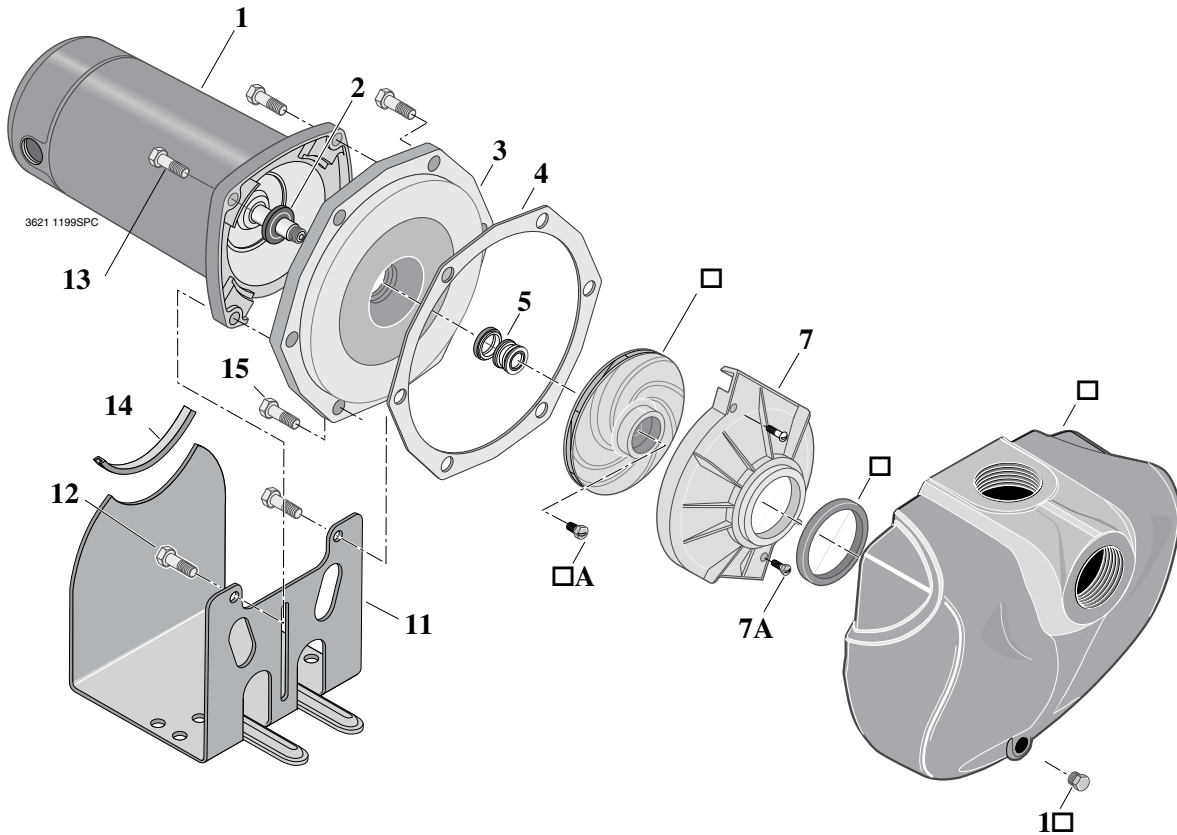
**Figure 21: Assemble Pump**

10. Hold motor shaft with 7/16" open end wrench on shaft flats and screw impeller onto shaft. **Be sure you do not touch capacitor terminals with body or any metal object.** Tightening impeller will automatically locate seal in correct position.
11. Replace impeller screw (if used) by turning counterclockwise (left-hand thread) into end of shaft.
12. Remount diffuser on seal plate with two screws.
13. Follow instructions under "Pump Reassembly".

## PUMP REASSEMBLY

1. Clean gasket surfaces on pump body and seal plate; install new gasket.
2. Slide motor/seal plate assembly into pump body. Secure with capscrews.
3. Replace base mounting bolts.
4. Replace motor wiring; close draincock.
5. Prime pump according to instructions. See "Operation."
6. Check for leaks.

SYMPTOM	POSSIBLE CAUSE(S)	CORRECTIVE ACTION
<p>Motor will not run</p>	<p>Disconnect switch is off                      Fuse is blown                      Starting switch is defective                      Wires at motor are loose, disconnected, or wired incorrectly</p>	<p>Be sure switch is on                      Replace fuse                      Replace starting switch                      Refer to instructions on wiring. Check and tighten all wiring.</p> <p><b>⚠ WARNING</b> Capacitor voltage may be hazardous. To discharge capacitor, hold insulated handle screwdriver BY THE HANDLE and short capacitor terminals together. Do not touch metal screwdriver blade or capacitor terminals. If in doubt, consult a qualified electrician.</p>
<p>Motor runs hot and overload kicks off</p>	<p>Motor is wired incorrectly                      Voltage is too low</p>	<p>Refer to instructions on wiring                      Check with power company. Install heavier wiring if wire size is too small (See Electrical, Page 6)</p>
<p>Motor runs but no water is delivered</p> <p>*(Note: Check prime before looking for other causes. Unscrew priming plug and see if there is water in priming hole.)</p>	<p>*Pump in new installation did not pick up prime through:                      1. Improper priming                      2. Air leaks                      3. Leaking foot valve</p> <p>*Pump has lost prime through:                      1. Air leaks                      2. Water level below suction of pump</p> <p>Impeller is plugged                      Check valve or foot valve is stuck in closed position                      Pipes are frozen                      Foot valve and/or strainer are buried in sand or mud</p>	<p>In new installation:</p> <ol style="list-style-type: none"> <li>1. Re-prime according to instructions</li> <li>2. Check all connections on suction line</li> <li>3. Replace foot valve</li> </ol> <p>In installation already in use:</p> <ol style="list-style-type: none"> <li>1. Check all connections on suction line and shaft seal</li> <li>2. Lower suction line into water and re-prime. If receding water level in well exceeds suction lift, a deep well pump is needed</li> </ol> <p>Clean impeller; see Maintenance                      Replace check valve or foot valve</p> <p>Thaw pipes. Bury pipes below frost line. Heat pit or pump house.                      Raise foot valve and/or strainer above well bottom</p>
<p>Pump does not deliver water to full capacity (Also check point 3 immediately above)</p>	<p>Water level in well is lower than estimated                      Steel piping (if used) is corroded or limed, causing excess friction                      Offset piping is too small in size</p>	<p>A deep well jet pump may be needed (over 20 ft. to water)</p> <p>Replace with plastic pipe where possible, otherwise with new steel pipe</p> <p>Use larger offset piping</p>



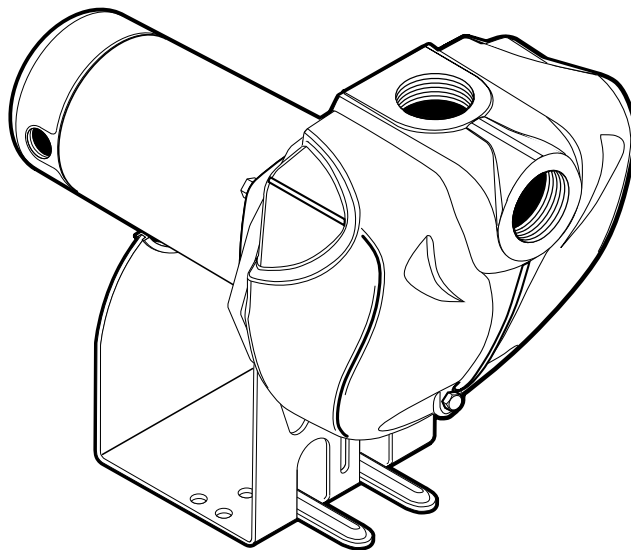
Key No.	Part Description	Qty.	MODEL NUMBER			
			10LTHH 10LTHH3 10LTHH3-575T 1 HP	15LTHH 15LTHH3 15LTHH3-575T 1-1/2 HP	20LTHH 20LTHH3 20LTHH3-575T 2 HP	25LTHH 25LTHH3 25LTHH3-575T 2-1/2 HP
1	Motor, 115/230V, 1 Phase	1	J218-596PKG	J218-601PKG	J218-883APKG	J218-628A
1	Motor, 230/460V, 3 Phase	1	AP100EL	AP100FL	AP100GL	AP100G5L
1	Motor, 575V TEFC	1	J218-998AC	J218-999AC	J218-1000AC	J218-1001AC
2	Water Slinger	1	17351-0009	17351-0009	17351-0009	17351-0009
3	Seal Plate	1	C3-155	C3-155	C3-117	C3-117
4	Gasket - Seal Plate	1	C20-86	C20-86	C20-87	C20-87
5	Shaft Seal	1	U109-6A	U109-6A	U109-6A	U109-6A
6	Impeller (1 Phase)	1	C105-92PKB	C105-92PC	C105-214PDA	C105-214PA
6	Impeller (3 Phase)	1	C105-92PKBA	C105-92PCA	C105-214PDA	C105-214PA
6A	Impeller Screw*	1	C30-14SS	C30-47SS	C30-14SS	C30-14SS
7	Diffuser	1	C101-276P	C101-276P	C101-182	C101-182
7A	Screw 10-24 x1" Lg Hex Head	2	U30-696SS	U30-696SS	—	—
7A	Machine screw 8-32x7/8" Lg.	2	—	—	U30-53SS	U30-53SS
8	Diffuser Ring	1	C21-10	C21-10	C21-2	C21-2
9	Pump Body Assembly	1	C76-67	C76-67	C76-68	C76-68
10	Plug 1/4" NPT Hex Head	1	U78-941ZPV	U78-941ZPV	U78-941ZPV	U78-941ZPV
11	Base	1	C4-82	C4-82	C4-82	C4-82
12	3/8-16x1-1/4" Lower Capscrew	2	U30-75ZP	U30-75ZP	U30-75ZP†	U30-75ZP†
13	3/8-16x1" Upper Capscrew	2	U30-74ZP	U30-74ZP	U30-74ZP†	U30-74ZP†
14	Motor Pad	1	C35-5	C35-5	C35-5	C35-5
15	Capscrew 3/8-16x3/4" Lg	6	U30-72ZP	U30-72ZP	—	—
15	Capscrew 5/16-18x3/4" Lg.	8	—	—	U30-60ZP	U30-60ZP
•	Lockwasher 3/8"	2	U43-12ZP	U43-12ZP	U43-12ZP	U43-12ZP
•	Nut, 3/16"-18 Hex Head	2	U36-37ZP	U36-37ZP	U36-37ZP	U36-37ZP

• Not illustrated.

\* Models 10LTHH and 15LTHH do not use impeller screws.

† Models 20LTHH and 25LTHH use (4) U30-99SS Socket Head Screws (3/8-16x1).

**BERKELEY®**



**Séries "LTHH"**

**Installation/Fonctionnement/Pièces**

Pour plus de renseignements concernant l'utilisation, l'installation ou l'entretien,

**Composer le 1 (888) 782-7483**

**LIRE TOUTES CES INSTRUCTIONS ET LES SUIVRE!**

**!** Ce symbole indique qu'il faut être prudent. Lorsque ce symbole apparaît sur la pompe ou dans cette Notice, rechercher une des mises en garde qui suivent, car elles indiquent un potentiel possible de blessures corporelles :

**! DANGER** avertit d'un danger qui causera des blessures corporelles, la mort ou des dommages matériels importants si on l'ignore.

**! AVERTISSEMENT** avertit d'un danger qui risque de causer des blessures corporelles, la mort ou des dommages matériels importants si on l'ignore.

**! ATTENTION** avertit d'un danger qui causera ou qui risquera de causer des blessures corporelles, la mort ou des dommages matériels importants si on l'ignore.

Le mot **NOTA** indique des instructions spéciales et importantes n'ayant aucun rapport avec les dangers.

**Lire attentivement toutes les consignes de sécurité contenues dans cette Notice ou collées sur la pompe.**

Garder les autocollants de sécurité en bon état; les remplacer s'ils manquent ou s'ils ont été endommagés.

**Avertissement lié à la Proposition 65 de la Californie**

**! AVERTISSEMENT** Ce produit et les accessoires connexes contiennent des produits chimiques reconnus dans l'État de la Californie comme pouvant provoquer des cancers, des anomalies congénitales ou d'autres dangers relatifs à la reproduction.

**SÉCURITÉ CONCERNANT L'ÉLECTRICITÉ**

**! AVERTISSEMENT**



**Tension dangereuse. Risque de secousses électriques, de brûlures, voire de mort.**

Mettre à la terre la pompe avant de la brancher sur le courant électrique. Couper l'arrivée de courant avant d'intervenir sur la pompe, sur le moteur ou sur le réservoir.

**!** Câbler le moteur en fonction de la bonne tension. Voir la Section «Électricité» de cette Notice et la plaque signalétique du moteur.

**!** Mettre à la terre le moteur avant de le brancher sur le courant électrique.

**!** Conforme au Code national de l'électricité, au Code canadien de l'électricité et aux codes municipaux pour tous les câblages.

**!** Respecter les instructions de câblage figurant dans cette Notice lorsque l'on branche le moteur sur une ligne haute tension.

**SÉCURITÉ GÉNÉRALE**



**! AVERTISSEMENT**

**Pression dangereuse! Poser une soupape de sûreté sur le tuyau de refoulement.**

Dissiper toute la pression du système avant d'intervenir sur un élément.

**! ATTENTION** Ne pas toucher un moteur qui fonctionne. Les moteurs peuvent fonctionner par les températures élevées. Pour ne pas se brûler lorsque l'on interviendra sur la pompe, la laisser refroidir pendant 20 minutes après l'avoir arrêtée avant de la toucher.

Cette pompe est conçue pour arroser les pelouses seulement. Pour empêcher toute accumulation de chaleur, risque de surpression et de blessures possibles, ne pas utiliser cette pompe sur un réservoir sous pression (système d'eau domestique). Ne pas utiliser cette pompe en tant que pompe de surpression; le corps de la pompe risque d'exploser si l'aspiration est mise sous pression.

Ne pas laisser geler la pompe ni aucun autre élément du système, sinon la garantie sera annulée.

Ne pomper que de l'eau avec cette pompe.

Périodiquement, inspecter la pompe et tous les éléments du système.

Toujours porter des lunettes de sécurité lorsque l'on intervient sur une pompe.

Garder la zone de travail propre, non encombrée et bien éclairée; tous les outils et tout l'équipement non utilisés doivent être entreposés correctement.

Ne pas laisser les visiteurs s'approcher de la zone de travail.

Prendre des mesures de Sécurité dans l'atelier pour protéger les enfants : poser des canenas et des interrupteurs généraux et enlever les clés de mise en marche.

## Merci d'avoir acheté une pompe de qualité supérieure mise à l'essai à l'usine.

	Page
Sécurité.....	2
Garantie.....	3
Installation.....	4, 5
Électricité.....	6, 7
Fonctionnement.....	7
Entretien .....	8-10
Diagnostic des pannes.....	11
Pièces de rechange .....	12

### Garantie limitée

BERKELEY garantit au consommateur initial (ci-après appelé l'« Acheteur ») que les produits énumérés dans les présentes sont exempts de défaut de matériau et de fabrication pendant la durée des garanties à compter de la durée des garanties indiquées ci-dessous.

Produits	Durée des garanties
<b>Systèmes d'eau :</b>	
Produits de systèmes d'eau — Pompes à éjecteur, petites pompes centrifuges, pompes submersibles et tous les accessoires connexes	<i>Selon le premier terme atteint :</i> 12 mois à compter de la date de la première installation ou 18 mois à compter de la date de fabrication
Réservoirs composites Pro-Source™	5 ans à compter de la date de la première installation
Réservoirs sous pression en acier Pro-Source™	5 ans à compter de la date de la première installation
Réservoirs revêtus d'époxyde Pro-Source™	3 ans à compter de la date de la première installation
Produits de puisard/d'égout/d'effluents	12 mois à compter de la date de la première installation ou 18 mois à compter de la date de fabrication
<b>Agricole/commercial :</b>	
Centrifuges – entraînement par moteur monobloc, monté sur cadre, monté sur SAE, entraînement par moteur à combustion, multiétagé vertical, SSCX, SSHM, pompes pour les matières solides, pompes submersibles pour les matières solides	12 mois à compter de la date de la première installation ou 24 mois à compter de la date de fabrication
Turbines submersibles, diamètre de 6 po et plus grand	12 mois à compter de la date de la première installation ou 24 mois à compter de la date de fabrication

Nos garanties limitée ne s'appliquent pas aux produits ayant fait l'objet de négligence, d'une mauvaise utilisation, d'une mauvaise installation ou d'un manque d'entretien adéquat. Sans aucune limitation des présentes, la garantie des moteurs triphasés submersibles sera nulle et non avenue si ces moteurs sont branchés et fonctionnent sur le courant monophasé par l'intermédiaire d'un déphaseur. Il faut également noter que les moteurs triphasés doivent être protégés par un relais de surcharge tripolaire thermocompensé à déclenchement extrêmement rapide du calibre recommandé, sinon la garantie sera nulle et non avenue.

Le seul recours de l'Acheteur et la seule responsabilité de BERKELEY consistent à réparer ou à remplacer (au choix de BERKELEY) les produits qui se révéleraient défectueux. L'Acheteur s'engage à payer tous les frais de main d'œuvre et d'expédition du produit couvert par sa garantie et de s'adresser au concessionnaire-installateur ayant procédé à l'installation dès qu'un problème est découvert pour obtenir un service sous garantie. Aucune demande de service en vertu de sa garantie ne sera acceptée après expiration de la durée de sa garantie. Ces garanties ne sont pas transférables.

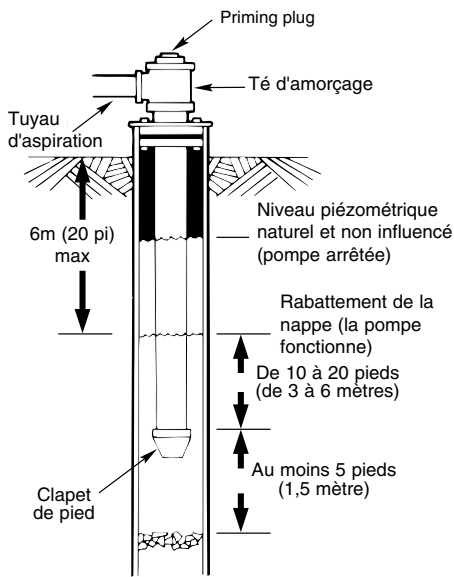
BERKELEY DÉCLINE TOUTE RESPONSABILITÉ POUR TOUT DOMMAGE INDIRECT OU FORTUIT QUEL QU'IL SOIT.

LA GARANTIE LIMITÉE SUSMENTIONNÉE EST EXCLUSIVE ET REMPLACE TOUTES LES AUTRES GARANTIES EXPRESSES ET TACITES, Y COMPRIS, MAIS SANS S'Y LIMITER, LES GARANTIES DE QUALITÉ MARCHANDE ET D'ADAPTATION À UN USAGE PARTICULIER. LA GARANTIE LIMITÉE SUSMENTIONNÉE NE DOIT PAS ÊTRE PROLONGÉE AU-DELÀ DE LA DURÉE PRÉVUE AUX PRÉSENTES.

Certains états, territoires et certaines provinces ne permettent pas l'exclusion ou la limitation des dommages indirects ou fortuits, ni les limitations relatives à la durée des garanties tacites. Par conséquent, il se peut que les limitations ou les exclusions stipulées dans les présentes ne s'appliquent pas dans ce cas. Ces garanties accordent des droits juridiques précis, bien que l'on puisse bénéficier d'autres droits, selon la province, le territoire ou l'état dans lequel on réside.

La présente garantie limitée est entrée en vigueur le 1er juin 2011 et remplace toute garantie non datée ou antérieure à cette date.

**Aux États-Unis : BERKELEY, 293 Wright St., Delavan, WI 53115**  
**Au Canada : 269 Trillium Dr., Kitchener, Ontario N2G 4W5**



828 0993

Figure 1 : Installation dans un puits creusé/tubé

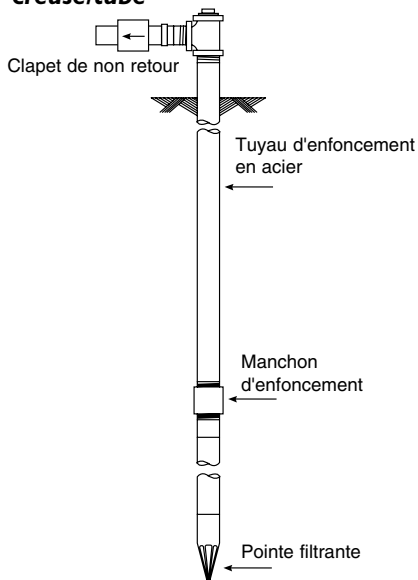


Figure 2 : Installation d'une pointe filtrante

## AVANT D'INSTALLER LA POMPE

**NOTICE:** Pump must not be more than 20' higher than water source.

1. De grandes longueurs de tuyaux et de nombreux raccords augmentent le frottement, ce qui réduit le débit. Installer la pompe aussi près que possible du puits : dans la mesure du possible, utiliser très peu de coudes et de raccords.
2. S'assurer que le puits ne contient pas de sable. Le sable bouchera la pompe et annulera la garantie.
3. Protéger la pompe et toutes les tuyauteries contre le gel. Le gel fera éclater les tuyaux, endommagera la pompe et annulera la garantie. Vérifier localement les protections à prendre contre le gel (habituellement, les tuyaux doivent être enfouis à 12 pouces sous la profondeur de pénétration du gel et la pompe doit être isolée).
4. S'assurer que tous les tuyaux et que le clapet de pied sont propres et en bon état.
5. Il ne doit y avoir aucune poche d'air dans le tuyau d'aspiration.
6. Il ne doit y avoir aucune fuite du tuyau d'aspiration. Utiliser du ruban d'étanchéité en PTFE pour filetage sur les raccords de tuyaux filetés.
7. Des raccords unions posés près de la pompe et du puits faciliteront les interventions. Prévoir suffisamment de place pour pouvoir utiliser des clés.
8. **⚠ Avertissement** Le corps de cette pompe peut exploser si la pompe est utilisée en tant que pompe de surpression. NE PAS utiliser cette pompe en tant que pompe de surpression.

## INSTALLATION DE TUYAUX DE PUIT

**NOTA :** Suivre la méthode d'installation qui correspond au type de puits sur lequel cette pompe sera branchée.

### INSTALLATIONS DANS UN PUIT TUBÉ

1. Inspecter le clapet de pied pour s'assurer qu'il fonctionne librement. Inspecter la crépine pour s'assurer qu'elle est propre.
2. Brancher le clapet de pied et la crépine sur la première longueur de tuyau d'aspiration, puis les abaisser dans le puits. Ajouter d'autres longueurs de tuyaux selon le besoin en enveloppant tous les filets mâles du ruban d'étanchéité en PTFE pour filetage. S'assurer que tous les tuyaux d'aspiration sont étanches, sinon la pompe se désamorçera et ne débitera pas. Poser un clapet de pied entre 10 et 20 pieds plus bas que le plus bas niveau auquel l'eau baissera pendant le pompage (niveau de pompage de l'eau). Le foreur de puits peut fournir cette information.
3. Pour que le sable et les sédiments ne pénètrent pas dans le système de pompage, l'ensemble clapet de pied et crépine doivent être au moins à 5 pieds du fond du puits.
4. Dès que la bonne profondeur est atteinte, poser un joint de puits sanitaire au-dessus du tuyau et dans le tubage du puits. Serrer les boulons pour rendre le tubage étanche.
5. Lorsque l'on utilise un clapet de pied, il est recommandé d'utiliser un té et un bouchon d'amorçage, comme il est illustré à la Figure 5.

### INSTALLATION DANS UN PUIT CREUSÉ

L'installation est la même que dans le cas d'un puits tubé.

### BRANCHEMENT DE LA POMPE SUR DES POINTES FILTRANTES

1. Brancher le tuyau d'aspiration sur la pointe filtrante, comme il est illustré à la Figure 2. Le tuyau horizontal doit être aussi court que possible. Utiliser du ruban d'étanchéité en PTFE pour filetage sur les filets mâles des tuyaux. Pour obtenir un débit suffisant, il faudra peut-être utiliser plusieurs pointes filtrantes.
2. Brancher un clapet de non retour sur le tuyau horizontal. La flèche de débit indiquée sur le clapet de non retour doit être orientée vers la pompe.

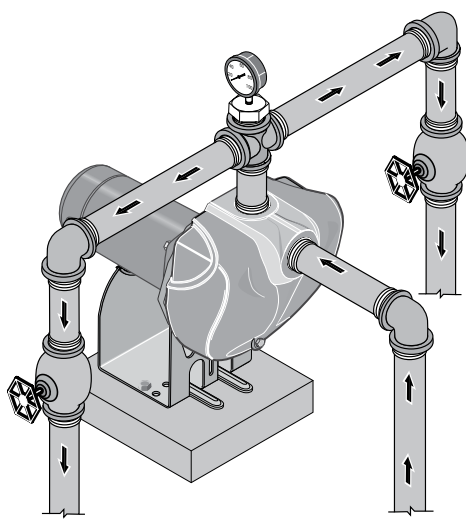


Figure 3 : Refoulement multiple

## TUYAUTERIE HORIZONTALE, DU PUIT VERS LA POMPE

1. Ne jamais utiliser un tuyau d'aspiration dont le diamètre est plus petit que le diamètre de l'orifice d'aspiration de la pompe.
2. Pour faciliter l'amorçage lorsque la pompe est branchée sur plusieurs points filtrantes, poser un clapet de non retour en ligne, comme il est illustré à la Figure 2. S'assurer que la flèche du clapet de non retour indiquant le sens du débit est orientée vers la pompe.

## DIAMÈTRE DES TUYAUX DE REFOULEMENT

1. Si l'on augmente le diamètre des tuyaux de refoulement, poser un réducteur dans l'orifice de refoulement de la pompe. Ne pas augmenter le diamètre des tuyaux par palier.
2. Si la pompe est loin des points de la prise d'eau, le diamètre des tuyaux de refoulement doit être augmenté afin de réduire les pertes de pression causées par le frottement.
  - Jusqu'à 100 pieds : Même diamètre que le diamètre de l'orifice de refoulement de la pompe.
  - De 100 à 300 pieds : Augmenter d'un diamètre de tuyau.
  - De 300 à 600 pieds : Augmenter de deux diamètres de tuyau.

## ARROSAGE DES PELOUSES

Cette pompe est conçue pour arroser les pelouses et débiter suffisamment d'eau à la pleine pression des arroseurs. Cette pompe peut aspirer l'eau d'un étang, d'une citerne ou bien elle peut être branchée sur des pointes filtrantes.

Le refoulement de la pompe peut être divisé pour alimenter deux «2» systèmes d'arrosage ou plus. Un refoulement multiple suggéré est illustré à la Figure 3.

Ne pas brancher cette pompe sur un réservoir sous pression ni l'utiliser en tant que pompe de surpression.

## INSTALLATION DE LA POMPE

**NOTA :** Effectuer tous les raccordements filetés à la pompe seulement avec du ruban d'étanchéité en PTFE pour filetage. **Ne pas utiliser de pâte pour raccords filetés sur la pompe :** ce produit

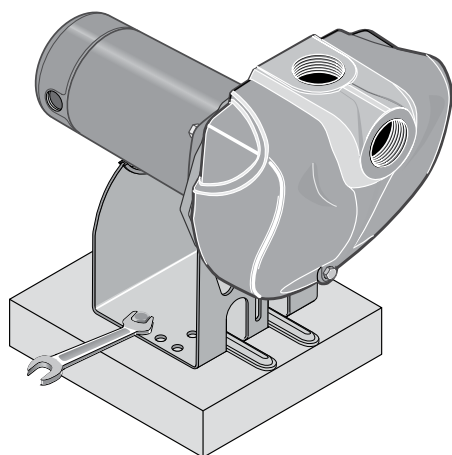
réagira avec le plastique des composants de la pompe. S'assurer que tous les raccords du tuyau d'aspiration sont étanches et hermétiques. Si le tuyau d'aspiration aspire de l'air, la pompe ne pompera pas l'eau du puits.

1. Boulonner la pompe sur un socle de niveau et solide.
2. Supporter toutes les tuyauteries branchées sur la pompe.
3. Envelopper, de gauche à droite, (en faisant face au tuyau) de 1 1/2 épaisseur à deux épaisseurs du ruban d'étanchéité en PTFE pour filetage tous les filets mâles à brancher sur la pompe.
4. Serrer tous les raccords à la main, puis de 1 1/2 tour de plus. Ne pas les serrer exagérément.

**NOTA :** Installer la pompe aussi près que possible de la tête du puits. De grandes longueurs de tuyauterie et de nombreux raccords créent un frottement, ce qui réduit le débit.

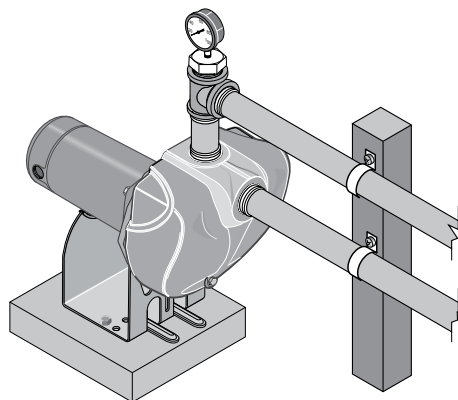
**NOTA :** Dans le cas de grandes longueurs horizontales de tuyaux, poser un té d'amorçage entre le clapet de non retour et la tête du puits, comme il est illustré à la Figure 1. Dans le cas de pointes filtrantes, poser un clapet de non retour comme il est illustré à la Figure 2. S'assurer que la flèche indiquée sur le clapet de non retour est orientée vers la pompe.

Utiliser des tuyaux en fer ou de norme 80. Pour de plus amples renseignements, se reporter à «Installation de tuyaux du puits».



3023 0997 DS3

Figure 4 : Boulonnage de la pompe



3024 0997 DS3

Figure 5 : - Supporter tous les tuyaux branchés sur la pompe

Schéma de connexion des moteurs monophasés bitension. La plaquette de connexion (qui se trouve sous le couvercle d'extrémité du moteur) des moteurs bitension doit correspondre à un des schémas ci-dessous. Au besoin, suivre le schéma pour convertir un moteur pour qu'il fonctionne sur le 115 volts.

Brancher les fils de tension sur L1 et L2. Dans le cas des moteurs triphasés, ou si le moteur ne correspond pas à ces illustrations, suivre le schéma de connexion de la plaque signalétique du moteur.

## RÉGLAGES DU MOTEUR

Les moteurs bitension (C'est-à-dire ceux qui fonctionnent sur le courant de 115 ou de 230 volts) sont réglés à l'usine pour fonctionner sur le courant de 230 volts. Ne pas modifier le réglage de la tension du moteur si la tension secteur est de 230 volts ou si le moteur est un moteur à une seule tension.

**REMARQUE :** Ne jamais câbler un moteur fonctionnant sur le courant de 115 volts sur un circuit de 230 volts.

## POUR DÉPOSER LE COUVERCLE DU MOTEUR

Dans le cas d'un moteur bitension devant être branché sur le courant de 115 volts, procéder comme il est indiqué ci-dessous.

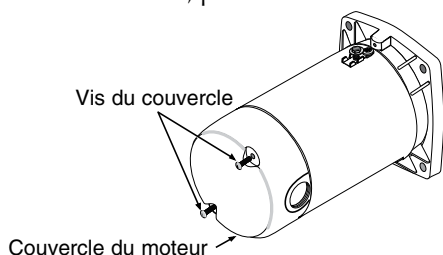


Figure 6 : Dépose du couvercle du moteur

Le couvercle du moteur devra être déposé pour modifier le réglage de la tension.

La paquette à bornes du moteur (qui se trouve sous le couvercle du moteur) doit ressembler à une de celles qui suivent.

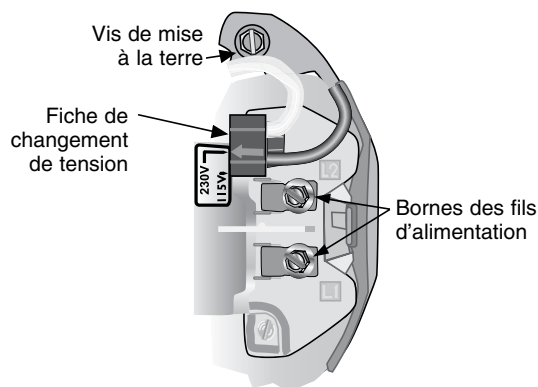


Figure 7 : Tension réglée sur le courant de 230 volts. Sélecteur à fiche

## SÉLECTEUR DE TENSION À FICHE

Pour faire fonctionner le moteur sur le courant de 115 volts :

1. S'assurer que le courant est coupé.
2. Tirer droit sur la fiche.
3. Déplacer la fiche, puis la brancher sur la position 115 volts. La fiche couvrira maintenant 2 pattes métalliques. La flèche de la fiche sera orientée vers « 115V ».
4. Brancher les fils d'alimentation sur les bornes. S'assurer que les fils sont bien retenus en place.

5. Brancher le fil de mise à la terre sur la vis verte de mise à la terre.

6. Reposer le couvercle du moteur. Passer à la rubrique « Câblage » qui suit.

## SÉLECTEUR DE TENSION ROTATIF

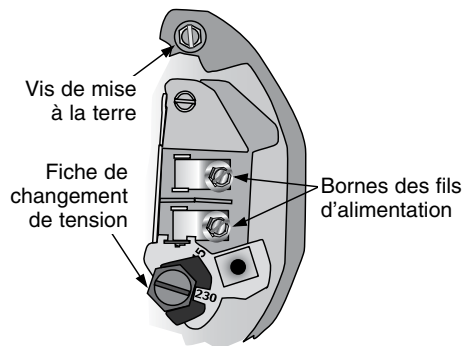


Figure 8 : Tension réglée sur le courant de 230 volts. Sélecteur rotatif

Pour faire fonctionner le moteur sur le courant de 115 volts :

1. S'assurer que le courant est coupé.
2. Tourner le sélecteur à gauche jusqu'à ce que « 115 » apparaisse dans la fenêtre du cadran.
3. Brancher les fils d'alimentation sur les bornes. S'assurer que les fils sont bien retenus en place.
4. Brancher le fil de mise à la terre sur la vis verte de mise à la terre.
5. Reposer le couvercle du moteur. Passer à la rubrique « Câblage » qui suit.

**AVERTISSEMENT** Tension dangereuse. Risque de secousses électriques, de brûlures, voire de mort. Débrancher le moteur avant d'intervenir sur la pompe ou sur le moteur. Mettre le moteur à la terre avant de le brancher sur le courant d'alimentation.

**Pour tous les moteurs triphasés :** Suivre le schéma de câblage qui se trouve sur la boîte de jonction ou sur la plaque signalétique du moteur. Pour les installations de 575 volts, s'adresser à un électricien qualifié.

## CÂBLAGE

**⚠ Mettre le moteur à la terre avant de le brancher sur le courant électrique. Ne pas mettre le moteur à la terre risque de causer des secousses électriques graves, voire mortelles.**

**⚠ Ne pas mettre à la terre sur une conduite d'alimentation en gaz.**

**⚠ Pour éviter les secousses électriques dangereuses, voire mortelles, couper le courant alimentant le moteur avant d'intervenir sur les connexions électriques.**

**⚠ La tension d'alimentation doit correspondre à  $\pm 10\%$  de la tension indiquée sur la plaque signalétique. Une mauvaise tension risque de causer un incendie ou d'endommager le moteur et d'annuler la garantie. En cas de doute, s'adresser à un électricien qualifié.**

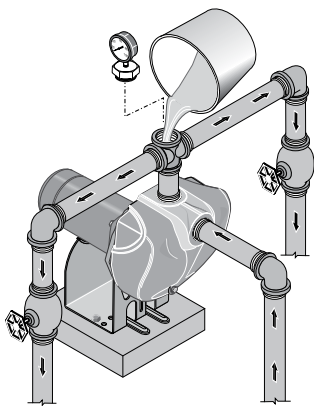
**⚠ Utiliser des fils d'après les diamètres spécifiés dans le Tableau de câblage (page 7). Dans la mesure du possible, brancher la pompe sur un circuit séparé sur lequel aucun autre appareil ne sera branché.**

**⚠ Câbler le moteur conformément au schéma figurant sur la plaque signalétique du moteur. Si le schéma de la plaque signalétique du moteur diffère de ceux ci-dessus, suivre le schéma de la plaque signalétique.**

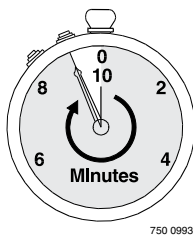
## Tableau de câblage - Câbles et diamètres des fusibles recommandés

Modèle de pompe	Puissance en ch	Charge max. en ampères (115/230 volts)	Tension/ Hertz/Phase	Capacité des fusibles en ampères* 115/230 volts	DISTANCE EN PIEDS (MÈTRES) ENTRE LE MOTEUR ET LE COURANT D'ALIMENTATION			
					0 - 50	51 - 100	101 - 200	201 - 300
					CALIBRE AWG DES FILS - 115/230 VOLTS (mm <sup>2</sup> )			
10LTTHH	1	14,8/7,4	115/230/60/1	20/15	12/14 (3/2)	12/14 (3/2)	8/14 (8,4/2)	6/14 (14/2)
15LTTHH	1-1/2	20/12	115/230/60/1	25/15	10/14 (5,5/2)	10/14 (5,5/2)	8/14 (8,4/2)	6/12 (14/3)
20LTTHH	2	24/12	115/230/60/1	30/15	12/14 (3/2)	10/14 (5,5/2)	6/14 (14/2)	6/12 (14/3)
25LTTHH	2-1/2	26/13	115/230/60/1	30/20	12/14 (3/2)	10/14 (5,5/2)	6/14 (14/2)	4/12 (21/3)
10LTHH3	1	3,6/1,8	230/460/60/3	15/15	14/14(2/2)	14/14(2/2)	14/14(2/2)	14/14(2/2)
15LTHH3	1-1/2	4,7/2,3	230/460/60/3	15/15	14/14(2/2)	14/14(2/2)	14/14(2/2)	14/14(2/2)
20LTHH3	2	6,8/3,4	230/460/60/3	15/15	14/14(2/2)	14/14(2/2)	14/14(2/2)	14/14(2/2)
25LTHH3	2-1/2	8,5/4,25	230/460/60/3	15/15	14/14(2/2)	14/14(2/2)	14/14(2/2)	14/14(2/2)

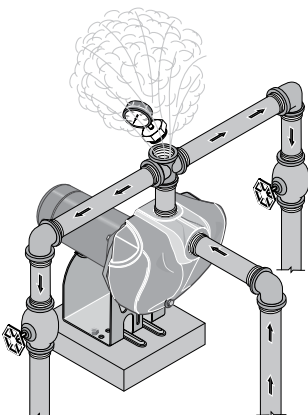
NOTA : Pour les installations de 575 volts, s'adresser à un électricien qualifié.



**Figure 9 : Déposer le bouchon d'amorçage et faire le plein de la pompe avant de la démarrer**



**Figure 10 : La laisser fonctionner pendant moins de dix minutes**



**Figure 11 : Ne pas faire fonctionner la pompe si le refoulement est fermé**

1. Cette pompe doit être installée, mise à la terre, câblée et entretenue conformément aux Codes de l'électricité. S'adresser à un inspecteur de la construction pour plus de renseignements concernant les codes.
2. Pour être protégé pendant que l'on intervient sur le moteur, prévoir un sectionneur équipé d'un fusible adéquat. Consulter les Codes de l'électricité de la municipalité et du Canada en ce qui concerne le sectionneur.
3. Couper le courant avant d'intervenir sur la pompe ou sur le moteur. Si le sectionneur n'est pas visible de la pompe, le verrouiller en position ouverte et l'étiqueter pour empêcher que le courant puisse être rétabli accidentellement.
4. La pompe doit être mise à la terre en permanence à l'aide d'un fil du même diamètre que celui spécifié dans le tableau de câblage. Procéder au raccordement de mise à la terre sur la borne de terre verte qui se trouve sous le carter du moteur et repérée GRD ou  $\perp$ .
5. Brancher le fil de mise à la terre sur un fil de mise à la terre du tableau de distribution ou sur un tuyau d'eau métallique enterré ou sur le tubage d'un puits ayant au moins 10 pieds de long. Ne pas brancher sur un tuyau en plastique ou sur des raccords isolés.
6. Protéger les conducteurs transporteurs de courant mis à la terre contre les coupures, la graisse, la chaleur, l'huile et les produits chimiques.
7. Brancher les conducteurs transporteurs de courant sur les bornes L1 et L2 qui se trouvent sous le carter du moteur. Lorsque l'on remplace le moteur, comparer le schéma de câblage de la plaque signalétique par rapport à la Figure 6. Si le schéma de câblage du moteur ne correspond pas au schéma de la Figure 6, suivre le schéma de câblage du moteur.

**IMPORTANT :** Les modèles monophasés fonctionnant sur le 115/230 volts sont expédiés de l'usine câblés pour fonctionner sur le 230 volts. Si le courant d'alimentation est de 115 volts, déposer le carter du moteur et rebrancher le moteur comme il est illustré à la Figure 6. Ne pas essayer de faire fonctionner un moteur comme il est reçu sur le courant de 115 volts.

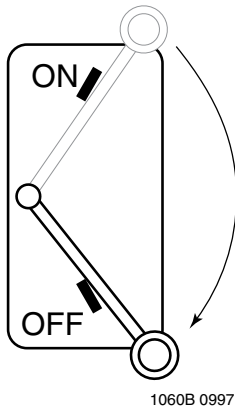
8. Le moteur comporte une protection interne automatique contre les surcharges thermiques. Si, pour une raison inconnue, le moteur cesse de fonctionner, le protecteur contre les surcharges thermiques risque de redémarrer inopinément, ce qui risque de causer des blessures ou des dommages matériels. Toujours couper le courant avant d'intervenir sur le moteur.
9. Si cette méthode de schéma de câblage porte à confusion, consulter un électricien qualifié.

### AMORÇAGE DE LA POMPE

**NOTA :** L'«amorçage» signifie que la pompe chasse tout l'air du système et qu'elle commence à aspirer l'eau de la prise d'eau. L'amorçage ne consiste pas tout simplement à verser de l'eau dans la pompe (bien que verser de l'eau dans le corps de la pompe est habituellement la première opération de l'amorçage).

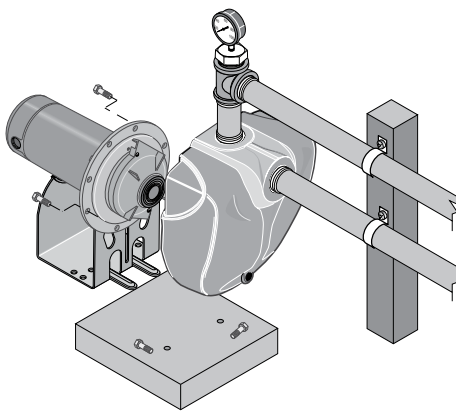
**NOTA : NE JAMAIS laisser fonctionner la pompe à sec.** Laisser fonctionner une pompe sans eau endommagera les joints et risquera de faire fondre l'impulseur et le diffuseur. Pour ne pas endommager la pompe, **la remplir d'eau avant de la démarrer.**

- 1° Déposer le bouchon d'amorçage (Figure 9).
- 2° S'assurer que les robinets des tuyaux d'aspiration et de refoulement et que tous les tuyaux branchés sur le côté refoulement de la pompe sont ouverts.



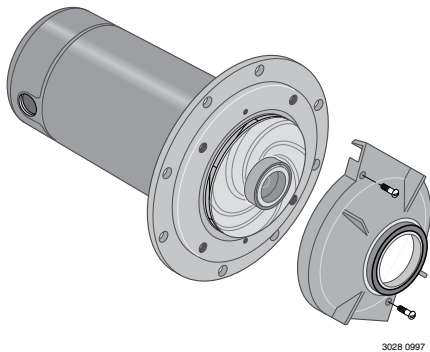
1060B 0997

Figure 12 : Couper le courant



3027 0997 D53

Figure 13 : Éloigner le moteur



3028 0997

Figure 14 : Déposer le diffuseur

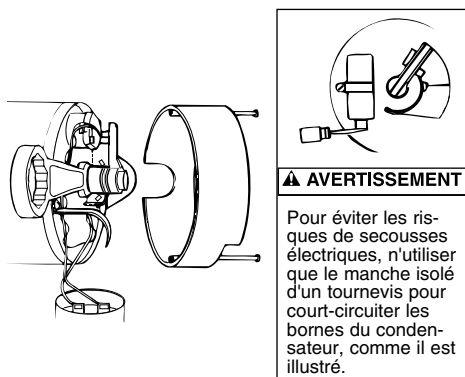


Figure 15 : Immobiliser l'arbre

- 3° Remplir d'eau le corps de la pompe et les tuyaux d'aspiration (Figure 7).
- 4° Utiliser du ruban d'étanchéité en PTFE pour filetage sur les raccords de tuyaux filetés; serrer le bouchon.

**NOTA :** Si, dans le cas d'une grande longueur horizontale de tuyau, un té d'amorçage et un bouchon ont été posés, s'assurer de remplir le tuyau d'aspiration par ce té, puis de reposer le bouchon. (Ne pas oublier d'utiliser du ruban d'étanchéité en PTFE pour filetage sur les filets du bouchon.)

- 5° Démarrer la pompe : elle doit débiter de l'eau dans les 10 minutes qui suivent, ce temps étant fonction de la profondeur jusqu'à l'eau (pas plus de 20 pieds) et de la longueur du tuyau horizontal (tuyau d'aspiration horizontal de 10 pieds = 1 pied d'aspiration vertical à cause de la perte par frottement dans les tuyaux) (Figure 8).

Si la pompe ne débite pas d'eau dans les 10 minutes, l'arrêter, dissiper toute la pression, déposer le bouchon d'amorçage et refaire le plein.

**▲ AVERTISSEMENT** **Pression dangereuse et risque d'explosion et d'ébouillantage. Si la pompe fonctionne continuellement sans débiter d'eau (c'est-à-dire que le refoulement est fermé ou qu'elle n'a pas été amorcée) l'eau contenue dans la pompe et dans les tuyauteries risque de bouillir. Sous la pression de la vapeur, les tuyauteries risquent d'éclater, les raccords risquent de sauter ou bien la vapeur peut jaillir par les orifices de la pompe et ébouillanter toute personne se trouvant à proximité.**

Pour empêcher une explosion, procéder comme suit :

- A. S'assurer que le refoulement (robinet, lance d'arrosage, poignée, etc.) est ouvert chaque fois que la pompe fonctionne.
- B. Si la pompe ne débite pas d'eau après un essai d'amorçage, l'arrêter, dissiper toute la pression, vider la pompe et en refaire le plein avec de l'eau froide tous les deux essais.
- C. Lorsqu'on amorce la pompe, surveiller la température de la pompe et des tuyaux. Si la pompe ou si les tuyaux commencent à être chauds au toucher, arrêter la pompe et laisser refroidir le système. Dissiper toute la pression du système, puis refaire le plein de la pompe et des tuyaux avec de l'eau froide.

Pour réparer le moteur ou le remplacer ainsi que les joints, la pompe et les tuyaux doivent être débranchés (Figure 13). Si le moteur est remplacé, remplacer aussi le joint de l'arbre (Réf. 5, page 12). Toujours avoir en sa possession un joint de rechange pour utilisation ultérieure.

Ne pas oublier de réamorcer la pompe avant de la redémarrer.

**NOTA :** Se reporter à l'étiquette du moteur pour connaître les instructions de graissage. Le joint mécanique de l'arbre logé dans la pompe est lubrifié par l'eau et son réglage est automatique.

**NOTA :** Pour intervenir sur la pompe, ou lorsqu'elle risque de geler, la vider.

## DÉMONTAGE DE LA POMPE

- 1. Couper le courant parvenant au moteur.  
**NOTA :** Repérer les fils pour bien les rebrancher.
- 2. Déposer les vis à chapeaux de fixation de la plaque d'étanchéité sur le corps de la pompe. L'ensemble moteur et plaque d'étanchéité peut être éloigné du corps de la pompe (Figure 13). Déposer PRUDEMMENT le joint.

## NETTOYAGE ET REMPLACEMENT DE L'IMPULSEUR

**NOTA :** Suivre tout d'abord les instructions figurant sous «Démontage de la pompe».

- 1. Déposer les vis de fixation du diffuseur sur la plaque d'étanchéité; déposer le diffuseur (voir la Figure 14). L'impulseur exposé peut maintenant être nettoyé.
- 2. Si l'impulseur doit être remplacé, desserrer les deux vis à métaux, puis déposer le carter du moteur (Figure 15).
- 3. **▲ AVERTISSEMENT** **La tension du condensateur peut être dangereuse.** Pour décharger le condensateur, tenir un tournevis à manche isolé **PAR LE MANCHE** et court-circuiter les bornes du condensateur (voir la Figure 15). Ne pas toucher la lame métallique du tournevis ni les bornes du condensateur. Si on n'est pas sûr comment procéder à cette opération, consulter un électricien qualifié.

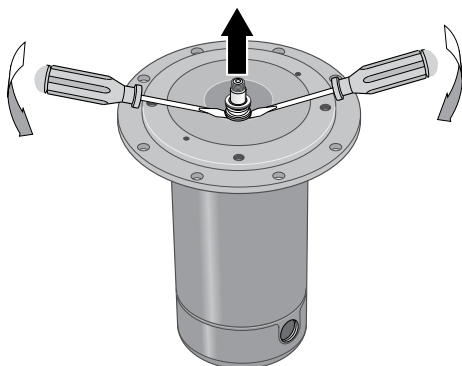


Figure 16 : Déposer la plaque d'étanchéité

3029 0907

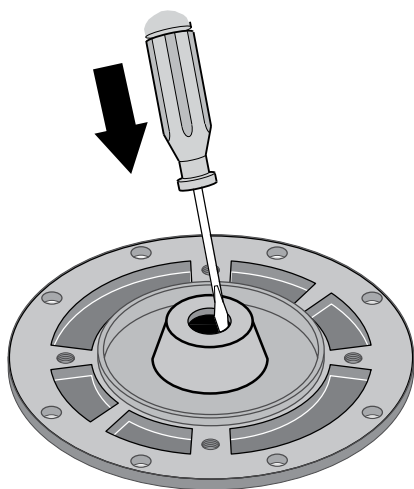


Figure 17 : Chasser le joint

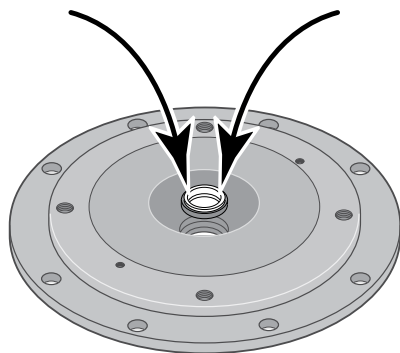
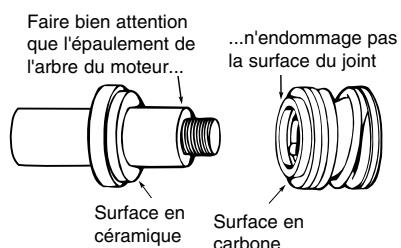


Figure 18 : Monter le joint neuf à la presse



1072 0697

Figure 19 : Protéger les surfaces du joint

4. Dévisser le collier du condensateur, puis déposer le condensateur. Ne pas débrancher les fils du condensateur branchés sur le moteur.
5. Glisser une clé à fourche de 7/16 de pouce derrière le contacteur à ressort qui se trouve sur le côté moteur de l'arbre; immobiliser le moteur de l'arbre en posant la clé sur les méplats du moteur, puis dévisser la vis de l'impulseur (le cas échéant) en la tournant à droite (**filets à gauche**) lorsque l'on fait face au trou de l'impulseur.
6. Tout en immobilisant l'arbre, dévisser l'impulseur à **gauche** lorsque l'on fait face au trou de l'impulseur.
7. Pour la repose, procéder à l'inverse des opérations 1 à 6.
8. Suivre les instructions figurant sous «Remontage de la pompe» à la page 10.

## DÉPOSE DE L'ANCIEN JOINT

1. Suivre les instructions figurant sous «Démontage de la pompe».
2. Suivre les opérations 2 à 5. sous «Nettoyage et remplacement de l'impulseur».
3. Déposer la moitié rotative du joint en glissant la lame de deux tournevis sous la bague du joint et en soulevant **prudemment** (Figure 16).
4. Déposer les écrous des tiges filetées de fixation de la bague d'étanchéité sur le moteur. Sortir prudemment la plaque d'étanchéité du moteur.  
**NOTA :** Faire bien attention de ne pas rayer ni abîmer l'arbre; si l'arbre est abîmé, il devra être lissé avec de la toile émeri ou de la toile à polir fine avant de poser le joint neuf. **NE PAS** réduire le diamètre de l'arbre!
5. Poser la moitié de la surface de la plaque d'étanchéité (en l'orientant vers le bas) sur une surface plane, puis chasser la moitié fixe du joint (voir la Figure 17).

## POSE DU JOINT NEUF

1. Nettoyer la cavité du joint pratiquée dans la plaque d'étanchéité.
2. Mouiller le bord extérieur de la coupelle en caoutchouc du joint en céramique avec du savon liquide. Ne pas utiliser trop de savon liquide.
3. Mettre la rondelle en carton propre sur la surface d'étanchéité. Avec la pression des pouces, pousser fermement la moitié du joint en céramique d'équerre dans la cavité du joint du dissipateur (voir la Figure 18). La surface polie du joint en céramique doit être orientée vers le joint. Si le joint ne repose pas bien, le déposer, le poser sur un établi en l'orientant vers le haut. Renettoyer la cavité. Le joint doit maintenant bien reposer.
4. Si le joint ne repose toujours pas bien après avoir renettoyer la cavité, mettre une rondelle en carton par-dessus la surface polie du joint et, **prudemment**, le pousser en place à l'aide d'un morceau de tuyau de 3/4 de pouce qui servira de presse.  
**NOTA :** Faire bien attention de ne pas rayer la surface du joint.
5. Jeter la rondelle en carton et revérifier la surface du joint pour s'assurer qu'elle ne comporte pas de saletés, de corps étrangers, de rayures ni de graisse.
6. Inspecter l'arbre pour s'assurer qu'il ne comporte plus d'entailles ni de rayures.
7. Remonter la moitié du corps de la pompe sur la bride du moteur. **S'ASSURER** qu'elle est à l'endroit.
8. Enduire modérément de savon liquide (une goutte est suffisant) le diamètre intérieur du joint rotatif.
9. Glisser le joint rotatif (la surface en carbone en premier) sur l'arbre jusqu'à ce que la bague d'entraînement en caoutchouc vienne en contact avec l'épaule de l'arbre.

**NOTA :** Faire bien attention de ne pas rayer ni entailler la surface en carbone du joint lorsqu'on la passe par-dessus l'extrémité filetée de l'arbre ou l'épaule de l'arbre. La surface en carbone doit toujours rester propre, sinon la durée du joint sera raccourcie.

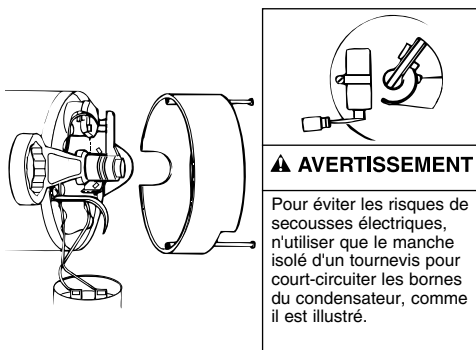


Figure 20 : Immobiliser l'arbre

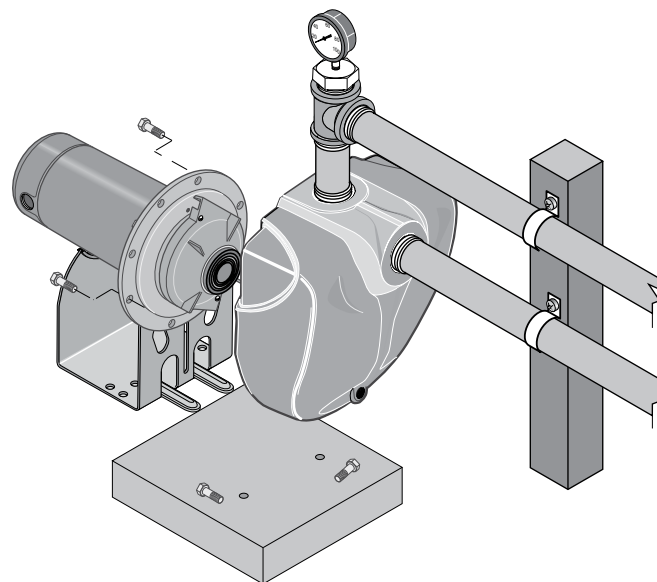


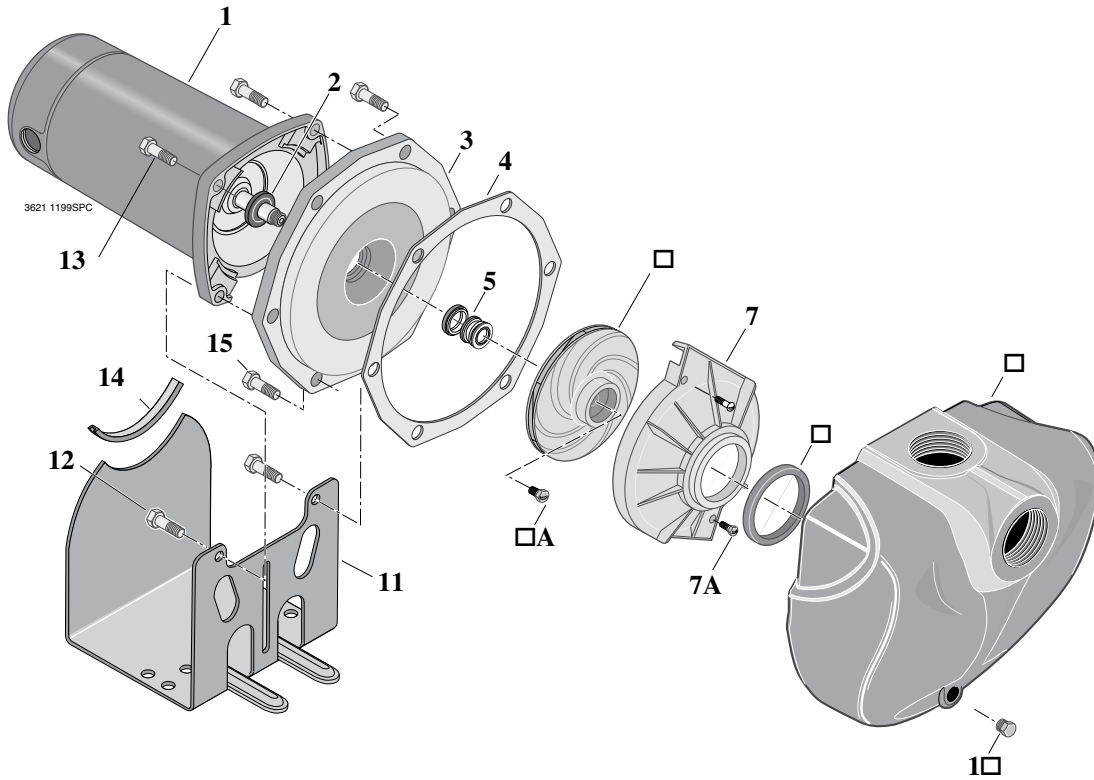
Figure 21 : Remonter la pompe

10. Immobiliser l'arbre du moteur avec une clé à fourche de 7/16 de pouce posée sur les méplats de l'arbre, puis visser l'impulseur sur l'arbre. **Faire bien attention de ne pas toucher les bornes du condensateur avec son corps ou avec tout autre objet métallique.** Le serrage de l'impulseur positionnera automatiquement le joint dans la bonne position.
11. Reposer la vis de l'impulseur (le cas échéant) en la vissant à gauche (filets à gauche) dans l'extrémité de l'arbre.
12. Reposer le diffuseur sur la plaque d'étanchéité avec les deux vis.
13. Suivre les instructions figurant sous «Remontage de la pompe».

## REMONTAGE DE LA POMPE

1. Nettoyer les surfaces d'appui du joint sur le corps de la pompe et la plaque d'étanchéité; poser un joint neuf.
2. Glisser l'ensemble moteur et plaque d'étanchéité dans le corps de la pompe. Bien visser les vis à chapeaux.
3. Reposer les vis de fixation du socle.
4. Replacer le câblage du moteur; reposer le robinet de purge.
5. Amorcer la pompe conformément aux instructions. Voir «Fonctionnement».
6. S'assurer qu'il n'y a pas de fuites.

SYMPTÔMES	CAUSES PROBABLES	REMÈDES
Le moteur ne tourne pas	<p>Le sectionneur est ouvert</p> <p>Le fusible est sauté ou le disjoncteur est désenclenché</p> <p>Le contacteur de démarrage est défectueux</p> <p>Les fils côté moteur sont desserrés, débranchés ou mal branchés</p>	<p>S'assurer que le sectionneur est enclenché</p> <p>Remplacer le fusible ou réenclencher le disjoncteur</p> <p>COUPER L'ARRIVÉE DE COURANT; remplacer le contacteur de démarrage</p> <p>Se reporter aux instructions sur le câblage (pages 20 et 21). COUPER L'ARRIVÉE DE COURANT; vérifier tout le câblage et le resserrer.</p> <p><b>▲ AVERTISSEMENT</b> La tension du condensateur peut être dangereuse. Pour décharger le condensateur, tenir un tournevis à manche isolé PAR LE MANCHE et court-circuiter les bornes du condensateur. Ne pas toucher la lame métallique du tournevis ni les bornes du condensateur. Si on n'est pas sûr comment procéder à cette opération, consulter un électricien qualifié.</p>
Le moteur surchauffe et le dispositif de protection contre les surcharges se déclenche	<p>Le moteur est mal branché</p> <p>La tension est trop faible</p> <p>La pompe se met en marche trop fréquemment</p>	<p>Se reporter aux instructions concernant le câblage</p> <p>S'adresser à la compagnie d'électricité. Poser un câblage plus gros si le calibre des fils est trop petit (voir Électricité/Tableau de câblage).</p> <p>Voir la section ci-dessous en cas de démarrages trop fréquents</p>
<p>Le moteur fonctionne mais l'eau n'est pas pompée*</p> <p>*(Nota : Arrêter la pompe; puis vérifier l'amorçage avant de rechercher toute autre cause. Dévisser le bouchon d'amorçage et voir si le trou d'amorçage contient de l'eau.)</p>	<p>Dans le cas d'une installation neuve, la pompe ne s'est pas amorcée à cause :</p> <ol style="list-style-type: none"> <li>1. d'un mauvais amorçage;</li> <li>2. de prises d'air;</li> <li>3. de fuite du clapet de non retour ou du clapet de pied.</li> </ol> <p>La pompe s'est désamorcée :</p> <ol style="list-style-type: none"> <li>1. à cause de prises d'air;</li> <li>2. parce que le niveau d'eau est plus bas que le tuyau d'aspiration.</li> </ol> <p>Le clapet de pied ou la crépine sont bouchés</p> <p>L'éjecteur ou l'impulseur sont bouchés</p> <p>S'assurer que le clapet de non retour ou que le clapet de pied ne sont pas grippés en position fermée</p> <p>Les tuyauteries sont gelées</p> <p>Le clapet de pied et/ou la trémie sont enfouis dans le sable ou la boue</p> <p>Le niveau de l'eau est trop bas pour que la pompe centrifuge débite de l'eau</p>	<p>Dans le cas d'une installation neuve :</p> <ol style="list-style-type: none"> <li>1. Réamorcer la pompe conformément aux instructions</li> <li>2. Vérifier tous les raccords du tuyau d'aspiration</li> <li>3. Remplacer le clapet de pied ou le clapet de non retour</li> </ol> <p>Dans le cas d'une installation déjà en service :</p> <ol style="list-style-type: none"> <li>1. Vérifier tous les raccords du tuyau d'aspiration et le joint de l'arbre</li> <li>2. Abaisser le tuyau d'aspiration dans l'eau et réamorcer la pompe. Si le niveau de l'eau dans le puits dépasse 20 pieds, utiliser une pompe pour puits profond</li> </ol> <p>Nettoyer le clapet de pied ou la crépine</p> <p>Nettoyer l'impulseur</p> <p>Remplacer le clapet de non retour ou le clapet de pied</p> <p>Dégeler les tuyauteries. Enterrer les tuyauteries sous la profondeur de pénétration du gel. Chauffer la fosse ou le bâtiment où se trouve la pompe</p> <p>Relever le clapet de pied et/ou la trémie plus haut que le fond de la prise d'eau. Nettoyer le clapet de pied et la trémie.</p> <p>Un éjecteur pour puits peu profond est peut-être requis (plus de 20 pieds jusqu'à l'eau) pour que la pompe débite à pleine capacité.</p>
La pompe ne pompe pas l'eau à pleine capacité	<p>Le niveau de l'eau du puits est plus bas que celui estimé</p> <p>Les tuyauteries en acier (le cas échéant) sont corrodées ou bouchées par le calcaire, ce qui cause un frottement excessif</p> <p>Le diamètre des tuyauteries portée est trop petit</p>	<p>Un éjecteur pour puits peu profond est peut-être requis (plus de 20 pieds jusqu'à l'eau) pour que la pompe débite à pleine capacité.</p> <p>Dans la mesure du possible, remplacer le tuyau par un tuyau en plastique, sinon poser un tuyau en acier neuf.</p> <p>Utiliser des tuyauteries portée de plus grand diamètre</p>



Réf.	Désignation	Qté	N° de Modèle			
			10LTHH 10LTHH3 10LTHH3-575T 1 ch	15LTHH 15LTHH3 15LTHH3-575T 1-1/2 ch	20LTHH 20LTHH3 20LTHH3-575T 2 ch	25LTHH 25LTHH3 25LTHH3-575T 2-1/2 ch
1	Moteur monophasé de 115/230 V	1	J218-596PKG	J218-601PKG	J218-883APKG	J218-628A
1	Moteur, 230/460V triphasé	1	AP100EL	AP100FL	AP100GL	AP100G5L
1	Moteur 575V TEFC	1	J218-998AC	J218-999AC	J218-1000AC	J218-1001AC
2	Déflacteur d'eau	1	17351-0009	17351-0009	17351-0009	17351-0009
3	Plaque d'étanchéité	1	C3-155	C3-155	C3-117	C3-117
4	Joint de la plaque d'étanchéité	1	C20-86	C20-86	C20-87	C20-87
5	Joint d'arbre	1	U109-6A	U109-6A	U109-6A	U109-6A
6	Impulseur (monophasé)	1	C105-92PKB	C105-92PC	C105-214PDA	C105-214PA
6	Impulseur (triphasé)	1	C105-92PKBA	C105-92PCA	C105-214PDA	C105-214PA
6A	Vis de l'impulseur*	1	C30-14SS	C30-47SS	C30-14SS	C30-14SS
7	Diffuseur	1	C101-276P	C101-276P	C101-182	C101-182
7A	Vis de 10-24 po x 1 po de long	2	U30-696SS	U30-696SS	—	—
7A	Vis à métaux de 8-32 x 7/8 po de long	2	—	—	U30-53SS	U30-53SS
8	Bague du diffuseur	1	C21-10	C21-10	C21-2	C21-2
9	Corps de la pompe	1	C76-67	C76-67	C76-68	C76-68
10	Bouchon fileté à tête hexagonale de 1/4 de po NPT	1	U78-941ZPV	U78-941ZPV	U78-941ZPV	U78-941ZPV
11	Socle	1	C4-82	C4-82	C4-82	C4-82
12	Vis à chapeaux inférieure de 3/8-16 x 1 1/4 po	2	U30-75ZP	U30-75ZP	U30-75ZP†	U30-75ZP†
13	Vis à chapeaux supérieure de 3/8-16 x 1 po	2	U30-74ZP	U30-74ZP	U30-74ZP†	U30-74ZP†
14	Patin du moteur	1	C35-5	C35-5	C35-5	C35-5
15	Vis à chapeaux de 3/8-16 x 3/4 po	6	U30-72ZP	U30-72ZP	—	—
15	Vis à chapeaux de 5/16-18 x 3/4 po	8	—	—	U30-60ZP	U30-60ZP
•	Rondelle-frein de 3/8 de po	2	U43-12ZP	U43-12ZP	U43-12ZP	U43-12ZP
•	Écrous à six pans de 3/16-18	2	U36-37ZP	U36-37ZP	U36-37ZP	U36-37ZP

• Pièces non illustrées.

\* Dans le cas des modèles 10LTHH et 15 LTHH, ne pas utiliser les vis de l'impulseur.

† Les modèles 20LTHH et 25LTHH utilisent (4) vis à tête creuse U30-99SS (3/8-16 x 1 po).