



INSTRUCTION MANUAL

ADDEN600V R1

AQUAVAR[®] CPC

(Centrifugal Pump Control)

600 VOLT ADDENDUM

TECHNICAL DATA

Cable Sizing/Ratings

500...600 Volt Drives

The following table provides Aquavar CPC rating information and recommended wire sizing for the input and output cables.

CENTRIPRO AQUAVAR CPC							
Input Voltage	Phase	NEMA 1 Base Model	Cont. Output Amps	NORMAL DUTY HORSEPOWER	Frame Size ²	Output Cable Size Min. AWG ¹	Input Cable Size Min. AWG ¹
575	3	CPC50031	2.7	2	R2	14	14
		CPC50041	3.9	3	R2	14	14
		CPC50061	6.1	5	R2	14	14
		CPC50091	9	7.5	R2	14	14
		CPC50111	11	10	R2	14	14
		CPC50171	17	15	R2	14	14
		CPC50221	22	20	R3	12	12
		CPC50271	27	25	R3	10	10
		CPC50321	32	30	R4	10	10
		CPC50411	41	40	R4	8	8
		CPC50521	52	50	R4	6	6
		CPC50621	62	60	R4	6	6
		CPC50771	77	75	R6	4	4
		CPC50991	99	100	R6	3	3
		CPC51251	125	125	R6	2	2
CPC51441	144	150	R6	1	1		

(1) Recommended AWG Size based on NEC table 310.16, 40° C ambient, 90° C, UL type copper wire. For other wire sizes or types, consult local or provincial codes.

(2) Terminal block for input voltage and output motor voltage have diameter limits. Consult technical section (CABLE TERMINALS) for maximum wire diameter and torque values.

For submersible motor applications refer to motor manufacturers recommendations based on lead length and voltage drop.

TECHNICAL DATA

Fuse Sizing/Ratings

500...600 Volt Drives

The following table provides Aquavar CPC rating information and recommended fuse sizing for the input short circuit protection. Branch circuit protection must be provided by the end user, contractor or distributor. Sized according to local or applicable NEC codes.

CENTRIPRO AQUAVAR CPC							
Input Voltage	Phase	NEMA 1 Base Model	Cont. Output Amps	NORMAL DUTY HORSEPOWER	Frame Size	Input Current Amps	Fuse Type ³ UL Class T
575	3	CPC50031	2.7	2	R2	2.7	10
		CPC50041	3.9	3	R2	3.9	10
		CPC50061	6.1	5	R2	6.1	10
		CPC50091	9	7.5	R2	9	15
		CPC50111	11	10	R2	11	15
		CPC50171	17	15	R2	17	25
		CPC50221	22	20	R3	22	25
		CPC50271	27	25	R3	27	40
		CPC50321	32	30	R4	32	40
		CPC50411	41	40	R4	41	50
		CPC50521	52	50	R4	52	60
		CPC50621	62	60	R4	62	80
		CPC50771	77	75	R6	77	100
		CPC50991	99	100	R6	99	150
		CPC51251	125	125	R6	125	175
CPC51441	144	150	R6	144	200		

(3) UL Class T fuses are recommended for short circuit protection. Very fast acting Bussmann* T-tron type JJS are shown in the Aquavar CPC tables. Other manufacturers are acceptable if they meet fuse requirements.

TECHNICAL DATA

Air Flow, 500...600 Volt Drives

The following table lists heat loss and air flow data for 500...600 Volt drives.

CENTRIPRO AQUAVAR CPC								
Voltage	Phase	NEMA 1 Base Model	Cont. Output Amps	NORMAL DUTY HORSEPOWER	Frame Size	Heat Loss		Air Flow CFM
						Watts	BTU/HR	
575	3	CPC50031	2.7	2	R2	46	157	52
		CPC50041	3.9	3	R2	68	232	52
		CPC50061	6.1	5	R2	124	423	52
		CPC50091	9	7.5	R2	170	581	52
		CPC50111	11	10	R2	232	792	52
		CPC50171	17	15	R2	337	1150	52
		CPC50221	22	20	R3	457	1560	79
		CPC50271	27	25	R3	562	1918	79
		CPC50321	32	30	R4	667	2276	165
		CPC50411	41	40	R4	907	3096	165
		CPC50521	52	50	R4	1120	3820	165
		CPC50621	62	60	R4	1295	4420	165
		CPC50771	77	75	R6	1504	5136	238
		CPC50991	99	100	R6	1821	6219	238
		CPC51251	125	125	R6	2442	8339	238
CPC51441	144	150	R6	2813	9607	238		

NOTE: Refer to cooling requirements and maximum ambient conditions when mounting.

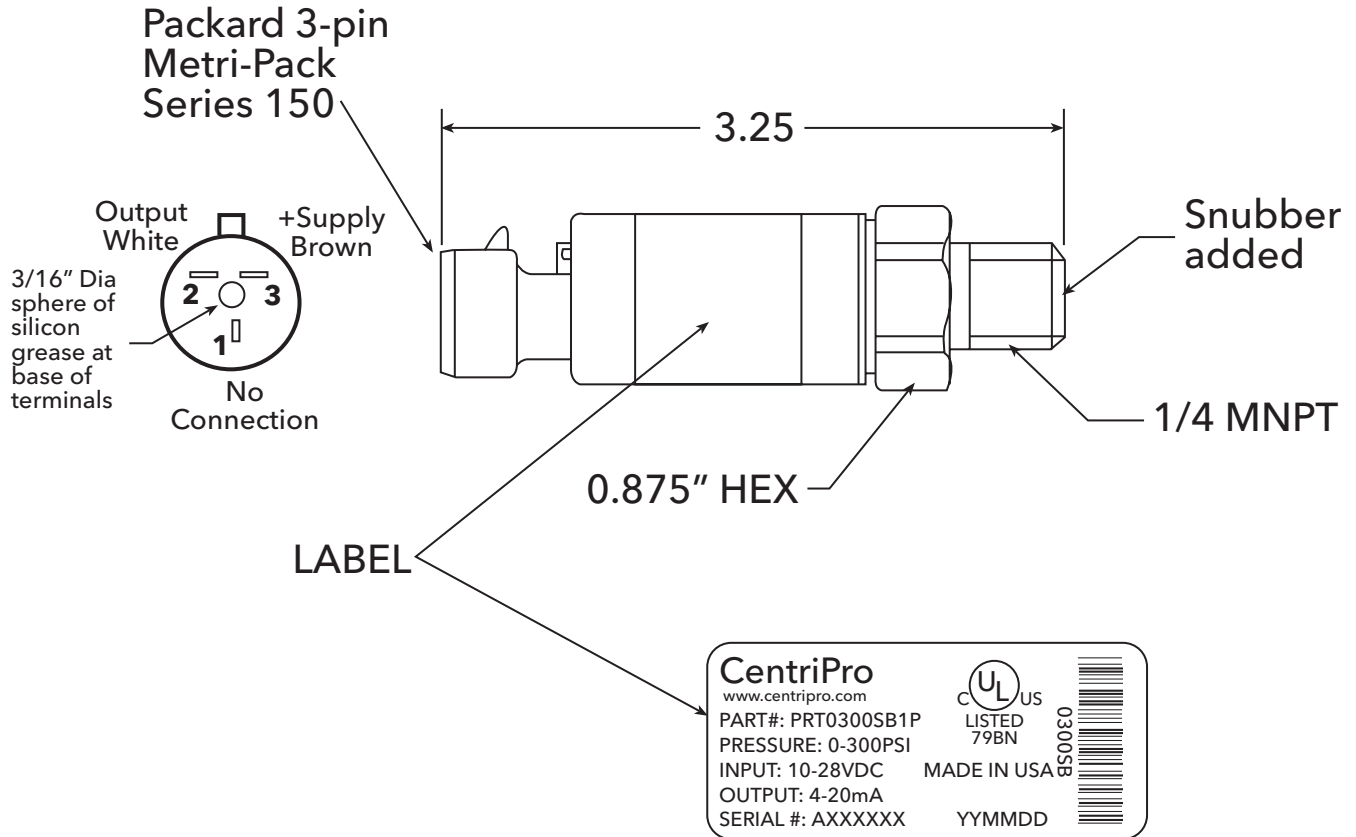
TECHNICAL DATA

PRESSURE TRANSDUCER

300 PSI 4-20 mA

P/N PRT0300SB1P

(To Order Sensor with 30' Cable, use P/N 9K391)



SPECIFICATIONS

Parameter	Value
Pressure Range	300 PSI
Output (0 - 100%)	4-20 mA
Supply Voltage	10-28 VDC
Burst pressure minimum	5x rated
Pressure overload minimum	2x rated
Supply Current maximum	<22mA
Pressure cycles minimum	100 million
Accuracy (combined lin/hyst/rep)	< 0.5% BFSL
Zero offset maximum	< 1% of FS
Span tolerance maximum	< 2% of FS

Parameter	Value
Operating temp. range	-20 to 85°C
Compensation temp. range	0 to 55°C
Zero thermal error maximum	< .035% of FS
Span thermal error maximum	< .035% of FS
Pressure port material	17-4 PH
Housing Material	304 stainless steel
Isolation Voltage minimum	500VDC
Seal Material	N/A
Listings	UL C/US 79BN

TECHNICAL DATA

TECHNICAL DATA

CENTRIPRO LIMITED WARRANTY

This warranty applies to all Aquavar CPC controllers manufactured by Xylem, Inc.

Any part or parts found to be defective within the warranty period shall be replaced at no charge to the dealer during the warranty period. The warranty period shall exist for a period of twenty-four (24) months from date of installation or thirty (30) months from date of manufacture, whichever period is shorter.

A dealer who believes that a warranty claim exists must contact the authorized CentriPro distributor from whom the controller was purchased and furnish complete details regarding the claim. The distributor is authorized to adjust any warranty claims utilizing the CentriPro Customer Service Department.

The warranty excludes:

- (a) Labor, transportation and related costs incurred by the dealer;
- (b) Reinstallation costs of repaired equipment;
- (c) Reinstallation costs of replacement equipment;
- (d) Consequential damages of any kind; and,
- (e) Reimbursement for loss caused by interruption of service.

For purposes of this warranty, the following terms have these definitions:

- (1) "Distributor" means any individual, partnership, corporation, association, or other legal relationship that stands between CentriPro and the dealer in purchases, consignments or contracts for sale of the subject controllers.
- (2) "Dealer" means any individual, partnership, corporation, association, or other legal relationship which engages in the business of selling or leasing controllers to customers.
- (3) "Customer" means any entity who buys or leases the subject controllers from a dealer. The "customer" may mean an individual, partnership, corporation, limited liability company, association or other legal entity which may engage in any type of business.

THIS WARRANTY EXTENDS TO THE DEALER ONLY.



Xylem, Inc.
2881 East Bayard Street Ext., Suite A
Seneca Falls, NY 13148
Phone: (800) 453-6777
Fax: (888) 322-5877
www.centripro.com

CentriPro and Aquavar are trademarks of Xylem Inc. or one of its subsidiaries.
© 2012 Xylem Inc. ADDEN600V R1 February 2013