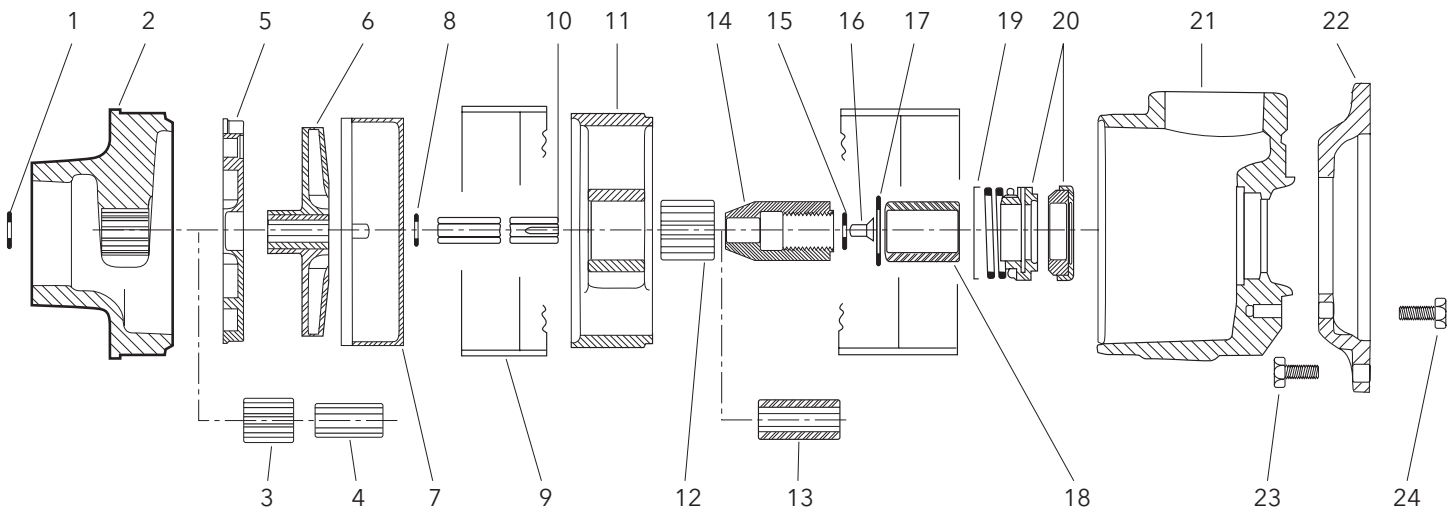


45HB - 70HB

REPAIR PARTS

CENTRIFUGAL BOOSTER PUMPS



Item No.	Part Name	Part No.	Pattern No.
1	Snap Ring	7K310	
2	Disch. Head Assembly - 2" NPT	7K709	57209
3	Marine Bearing - Discharge Head	7K474	
4	Sleeve - Discharge Head	7K708	
5	Diffuser - 45HB only	7K631	
	Diffuser - 70HB only	7K717	
6	Impeller - 45HB only	7K630	
	Impeller - 70HB only	7K716	
7	Bowl	7K629	
8	Shim	7K435	
9	Casing - 2 Stage	7K826	
	Casing - 3 Stage	7K624	
	Casing - 4 Stage	7K827	
	Casing - 5 Stage	7K625	
	Casing - 6 Stage	7K828	
	Casing - 7 Stage	7K626	
	Casing - 8 Stage	7K639	
	Casing - 9 Stage	7K829	
	Casing - 10 Stage	7K627	
	10	Shaft Assembly - 2 Stage	7K973
Shaft Assembly - 3 Stage		7K974	
Shaft Assembly - 4 Stage		7K975	
Shaft Assembly - 5 Stage		7K976	
Shaft Assembly - 6 Stage		7K977	
Shaft Assembly - 7 Stage		7K978	
Shaft Assembly - 8 Stage		7K979	
Shaft Assembly - 9 Stage		7K980	
Shaft Assembly - 10 Stage		7K981	
11		Intermediate Stage Assembly	7K623
12	Marine Bearing - Intermediate Stage	7K411	
13	Sleeve - Intermediate Stage	7K302	
14	Coupling	4K364	
15	Washer	13K238	
16	Screw	13K237	
17	Retaining Ring	4K361	
18	Shaft Sleeve	4K66	
19	Spring Retainer	4K317	
20	Mechanical Seal Assembly	10K13	
21	Suction Housing 2" NPT	1K194	59098
22	Motor Adapter (210 Frame)	1K195	59153
	Motor Adapter (140-180 Frame)	1K196	59099
23	Hex Cap Screw - Adapter to Motor -140 and 180 Frame	13K69	
	-210 Frame	13K102	
24	Hex Cap Screw- Adapter to Suction Hsg.	13K69	

MOTORS

Model	HP	Stages	Motor Encl.	Motor Codes	
				1Ø	3Ø
45HB130	3	3	ODP	C09721TH	C09741TH
45HB230	3	2	TEFC	C09722TH	C09742TH
45HB150	5	5	ODP	C10721TH	C10741TH
45HB250	5	4	TEFC	C10722TH	C10742TH
45HB175	7½	7	ODP	C11721TH	C11741TH
45HB275	7½	6	TEFC	-	C11742TH
45HB111	10	10	ODP	-	C12741TH
45HB211	10	8	TEFC	-	C12742TH
70HB130	3	2	ODP	C09721TH	C09741TH
70HB230	3	2	TEFC	C09722TH	C09742TH
70HB150	5	4	ODP	C10721TH	C10741TH
70HB250	5	3	TEFC	C10722TH	C10742TH
70HB175	7½	6	ODP	C11721TH	C11741TH
70HB275	7½	5	TEFC	-	C11742TH
70HB111	10	9	ODP	-	C12741TH
70HB211	10	7	TEFC	-	C12742TH

Notes: Shaft assembly includes 13K237 screw and 13K238 washer. When replacing older style shaft/coupling assemblies additional parts may be required (4K364, 4K361, 4K66).

7K623 intermediate stage assembly includes marine bearing 7K411. The assembly is only required on 45HB11135 and 70HB11135.

Order Online: www.PumpCatalog.com

Xylem Inc.

2881 East Bayard Street Ext., Suite A, Seneca Falls, NY 13148

Phone: (800) 453-6777 Fax: (888) 322-5877

www.gouldswatertechnology.com

