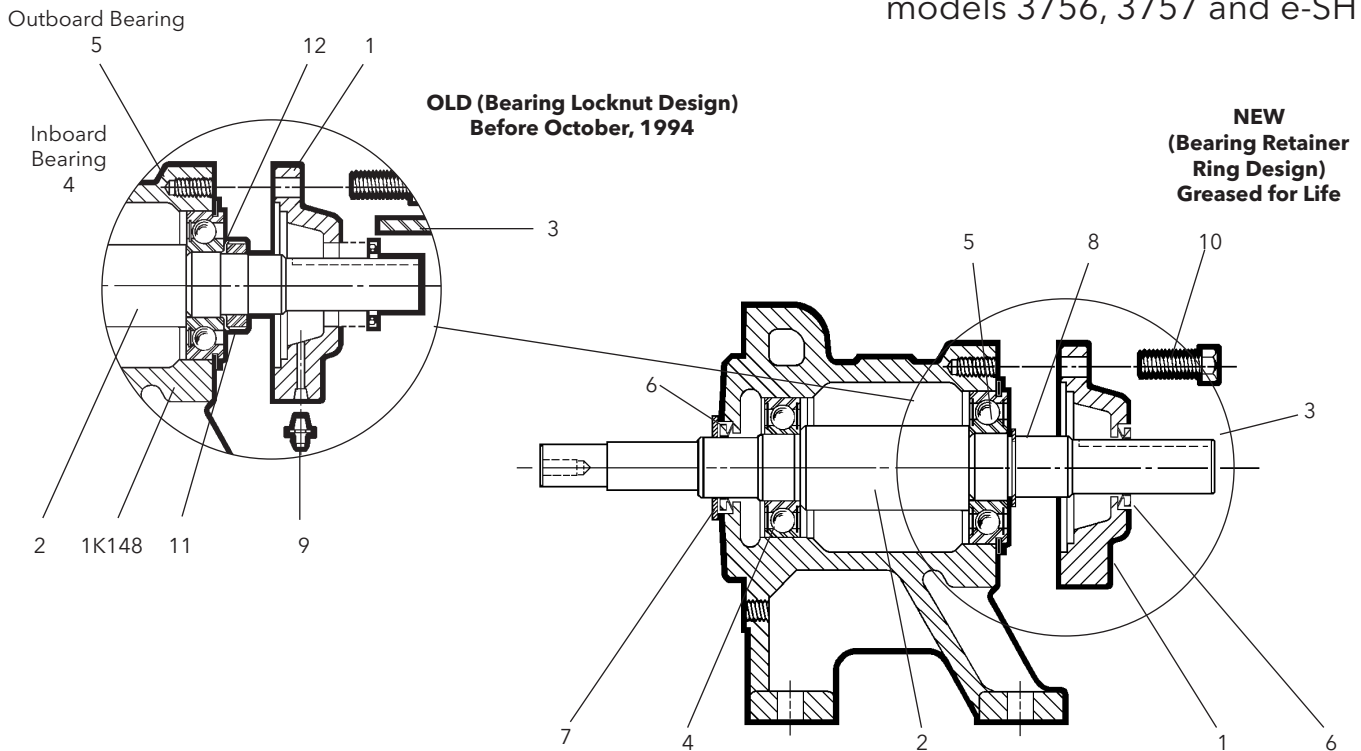


S-Group Power Frame

REPAIR PARTS



S-Group power frame for models 3756, 3757 and e-SH



COMPLETE BEARING FRAME ASSEMBLIES:

To order complete assembly (grease for life only) use part number 1K1116 - for mechanical seal and 1K1117 for packed box.

ITEM NO.	PART NO.	DESCRIPTION	MATERIAL
1	1K1114	Bearing cover	Cast iron
2	4K410	Shaft - mechanical seal	Steel
	4K478	Shaft - packed box	
3	4K278	Key - motor end	
4	4K412	Inboard bearing	
5	4K413	Outboard bearing	
6	5K545	V-ring	BUNA-N
7	5K160	Deflector	
8	5K245	Retaining ring	Steel
9	13K194	Hex head cap screw- bearing cover	

For parts pricing and package stock quantities refer to published parts price list using "K" part no. listed above.
Shaft and mounting face duplicates NEMA 184JM dimensions.

Order Online: www.PumpCatalog.com

COUPLING GUARD

Motor Frame	Part Number
145-215	4K289
250-280	4K290

Xylem Inc.

2881 East Bayard Street Ext., Suite A, Seneca Falls, NY 13148

Phone: (866) 673-0445 Fax: (888) 322-5877

www.xylem.com/goulds

