



**KOOLAIR PUMPS**  
**MANUFACTURER'S EDGE**  
**5044 INDUSTRIAL RD, SUITE C**  
**FARMINGDALE, NJ 07727**  
**P: 800-810-1053 E: INFO@KOOLAIR.COM**

*"RUN DRY PROTECTION TO KEEP YOU COOL"*

**MARINE COOLANT PUMPS**

**DESCRIPTION:**

The TPM1000 is a magnetically driven pump with a Totally Enclosed Fan Cooled (TEFC) Motor that contains no shaft seal. The hardened carbon bushing allows for extended run dry time without any damage to the pump head. See the parts diagram for assembly instructions. Impeller may be trimmed to modify flows or compensate for liquids of higher viscosity. For application assistance, please contact Koolair Pumps at 800-810-1053.

**OPERATION:**

The pump is not self-priming and requires flooded **suction**. The pump **has run dry and thermal overload protection**.

For application assistance contact Koolair Pump at: [info@koolairpump.com](mailto:info@koolairpump.com)

**ELECTRICAL:**

TPM1000 is 115/230 Volt. (Dual Voltage Motor) 1 Phase. All cords are 56" in length and are U.L. LISTED 18/3 wire. The motors are rated as continuous duty.

ISO 8846 MARINE IGNITION PROTECTED

**LIMITED WARRANTY:**

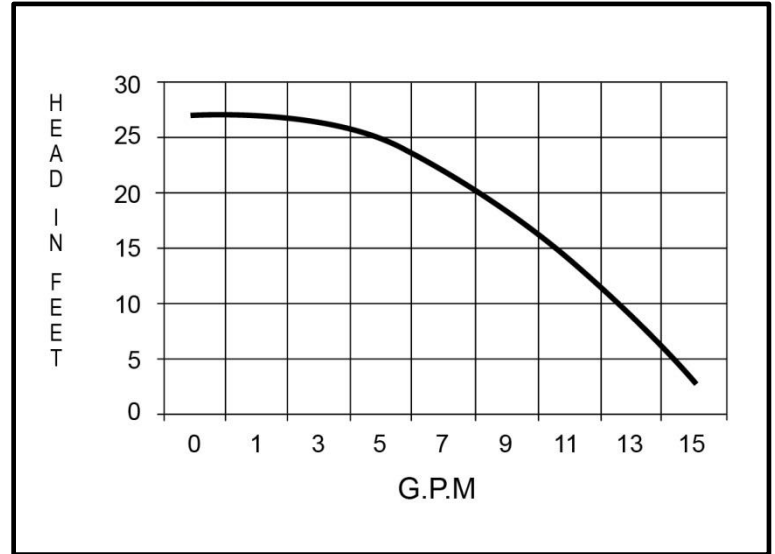
Koolair Pumps are guaranteed only against defects in workmanship or materials for a period of one year from date of manufacture while pumping water.

**NOTES:**

All Specifications and flow curves are based on pumping water.



**TPM1000**



**MECHANICAL SPECIFICATIONS**

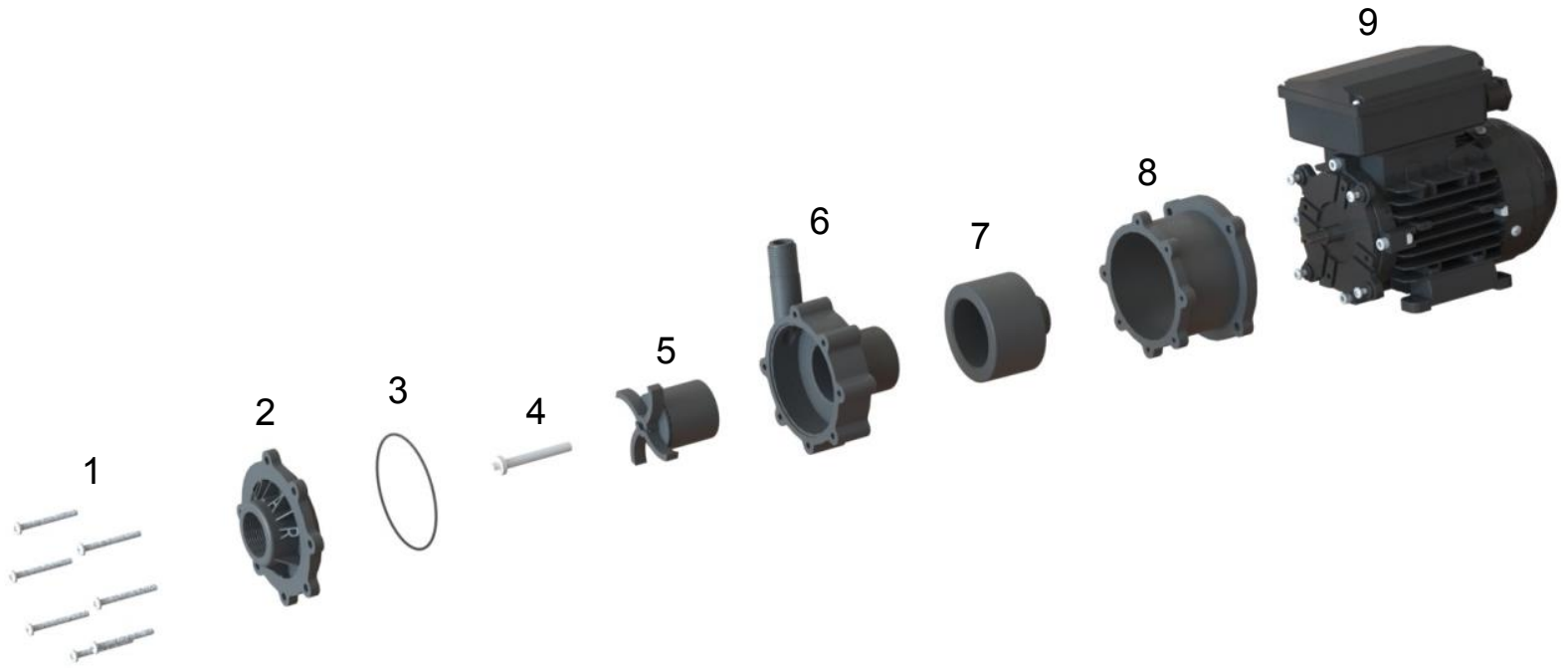
MODULE TYPE		60Hz	50Hz
Max Flow	GPM	17.2	N/A
	LPM	N/A	54.8
Max Head	FT (PSI)	27 (11.7)	N/A
	M	N/A	6
Max Internal Pressure	PSI	50	50
	BAR	3.4	3.4
Max Liquid Temperature	°F	180	180
	°C	82	82
Packed Weight	LB	12	12
	KG	5.4	5.4
Inlet		1" FPT	1" FPT
Outlet		½" MPT	½" MPT

**ELECTRICAL SPECIFICATIONS**

MODULE TYPE	60Hz		50Hz	
Voltage	115	230	115	230
Phase	1	1	1	1
Watts	216	207		147
Amps	1.6	0.9		1.2
HP/kW	1/8	1/8		0.093
RPM	3450	3450		2850

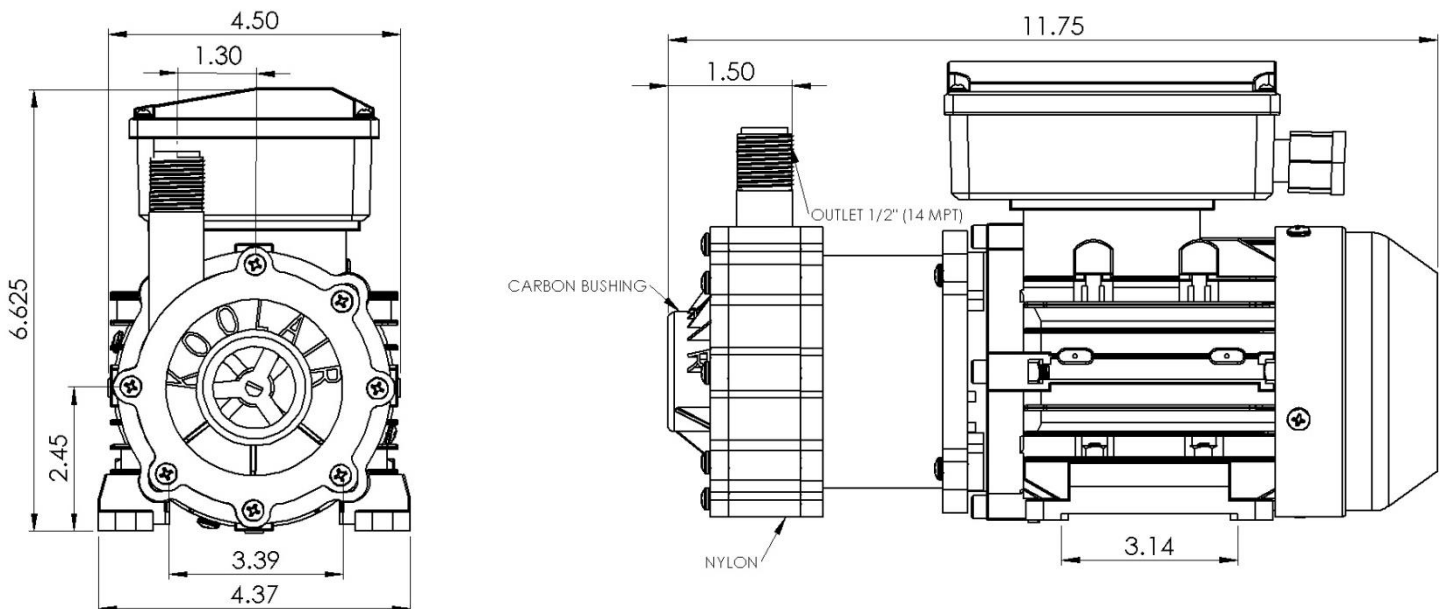
PUMP DIMENSIONS	INCHES	CENTIMETERS
Height	6.625	16.83
Width	4.5	11.43
Length	11.75	29.85

## PARTS LIST



ITEM	PART NUMBER	DESCRIPTION	MATERIAL	LENGTH		WIDTH	
				CM	MM	CM	MM
1	KAT1000-21	Screw	Stainless Steel	0.4	4	4.5	45
2	KAT1000-22	Front Cover	Reinforced PP	10.2	102	8	80
3	KAT1000-23	O-Ring	Rubber	7.7	77	0.18	1.8
4	KAT1000-24	Washer & Shaft	Ceramic	6.37	63.7	0.633	6.33
5	KAT1000-25	Impeller	Interior-Carbon Bush Exterior-Reinforced PP	7.5	75	4.8	48
6	KAT1000-26	Rear Housing	Reinforced PP	10.23	102.3	6.15	61.5
7	KAT1000-27	Driver Magnet	Magnet, Reinforced PP				
8	KAT1000-28	Bracket	Reinforced PP				
9	TEFCMOTOR	Motor					

## PUMP DRAWING



## 3D MODEL

You Must Download & Open PDF In Adobe Reader To Enable 3D View

Enable 3D View

Click on image and move your mouse to turn and rotate 3D model.  
You can also zoom in and out using the scroll wheel on your mouse.