

# MYERS® CMV-BP

The Myers CMV-BP BasinPro Packaged Sewage System is an ideal choice for new construction or retrofit. Installer-friendly features include a 360° Top Grip for easy installation. The E-Z Switch Rod lets you easily remove the float switch without affecting the basin lid, pump or plumbing. Available with a 1/2 HP high endurance motor, with 2" solids-handling capacity. Passive radon protection provided by gas-tight seal between structural foam lid and basin.



pump only 

## APPLICATIONS

Sewage, high-capacity sump, effluent

## SPECIFICATIONS

- Capacities** – 95 GPM (360 LPM)
- Shut-off Head** – 19' shut-off (5.8 m)
- Solids Handling** – 2" (50.8 mm)
- Liquids Handling** – Raw sewage, effluent and drain water
- Intermittent Liquid Temperature** – Up to 140°F (60°C)
- Motor/Electrical Data** – 1/2 HP, PSC, 1625 RPM, 115V, 12A, 1Ø, 60Hz
- Acceptable pH Range** – 6-9
- Discharge, NPT** – 2" (50.8 mm)
- Housing** – Cast iron
- Power Cord** – 20', 16/3, SJTW
- Impeller** – Recessed, thermoplastic
- Volute Case** – Thermoplastic
- Shaft Seal** – Type 11A, carbon and ceramic
- Basin Size** – 24" x 24" structural foam construction; 45-gallon capacity

## FEATURES

- Fully Assembled**  
Pump is pre-installed in basin, with integral torque stops to ensure stability
- Oil-filled Motor**  
For maximum heat dissipation and continuous bearing lubrication
- Recessed Vortex Impeller**  
For free flow of liquids, solids up to 2" diameter
- Anti-floatation Features**  
Include concrete splash lip and unique basin shape to keep the system from floating or becoming "un-installed"
- Integral 360° Top Grip**  
For easy lifting and handling in tight spaces
- Stackable Design**  
Allows for compact inventory
- E-Z Switch Rod**  
Allows removal of float switch without disassembling basin lid, or handling pump or plumbing. Additional clip for secondary float included; float sold separately.
- Available With Alarm, Optional**

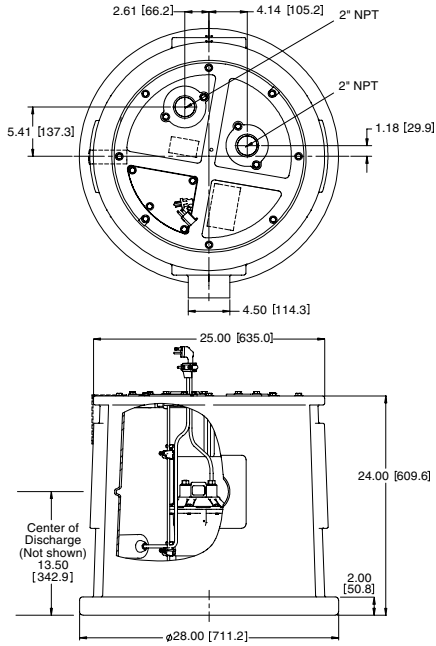
## ORDERING INFORMATION

Catalog Number	HP	Volts	Phase/Cycles	Amps	Discharge Size	Switch Type	Cord Length	Approx. Wt. Lbs.
CMV-BP	1/2	115	1/60	12	2"	Tethered Automatic	20'	50
CMV-BP-SA1*	1/2	115	1/60	12	2"	Tethered Automatic	20'	60

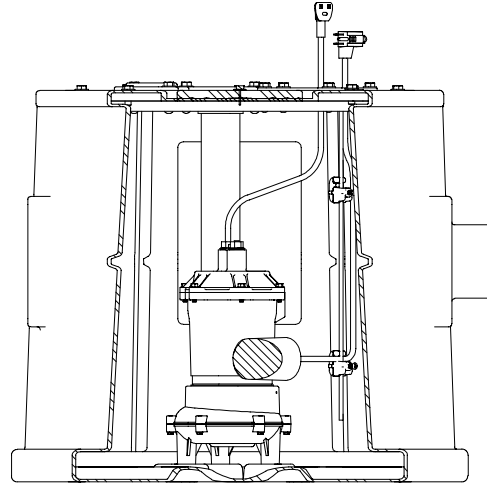
\*Includes SA-1 alarm.

# MYERS<sup>®</sup> CMV-BP

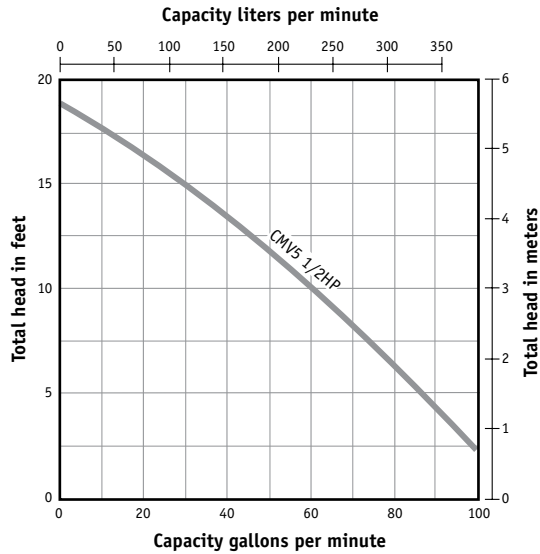
## DIMENSIONS



## SECTIONAL VIEW



## PUMP PERFORMANCE



USA  
 293 WRIGHT STREET, DELAVAN, WI 53115 WWW.FEMYERS.COM  
 PH: 888-987-8677 ORDERS FAX: 800-426-9446

CANADA  
 490 PINEBUSH ROAD, UNIT 4, CAMBRIDGE, ONTARIO N1T 0A5  
 PH: 800-363-7867 ORDERS FAX: 888-606-5484

Because we are continuously improving our products and services, Pentair reserves the right to change specifications without prior notice.