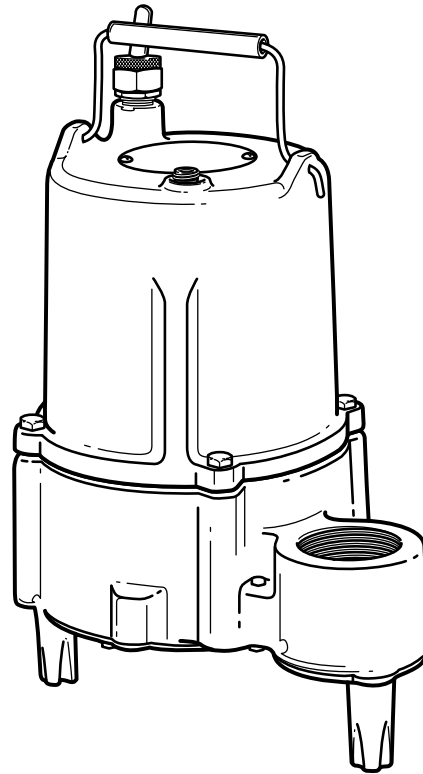




**MYERS®**

INSTALLATION AND  
OPERATOR'S MANUAL  
**Submersible Sewage  
Ejector Pump**

INSTALLATION ET MANUEL  
DE L'OPÉRATEUR  
**Pompe submersible  
d'eaux d'egout**



**MES50/MES100**

**Installation/Operation/Parts**

For further operating, installation, or maintenance assistance:

**Call 1-888-987-8677**

**English . . . . .Pages 2-12**

**Installation/Fonctionnement/Pièces**

Pour plus de renseignements concernant l'utilisation, l'installation ou l'entretien,

**Composer le 1 (888) 987-8677**

**Français . . . . .Pages 13-24**

## Contents

<b>Important Safety Instructions</b> . . . . .	<b>2</b>
<b>Installation</b> . . . . .	<b>3</b>
<b>Operation</b> . . . . .	<b>5</b>
<b>Maintenance</b> . . . . .	<b>5</b>
Ground check . . . . .	6
Reassembly . . . . .	7
Oil fill . . . . .	7
<b>Troubleshooting</b> . . . . .	<b>8</b>
<b>Repair Parts</b> . . . . .	<b>9</b>
<b>Warranty</b> . . . . .	<b>11</b>
<b>Product Specifications</b> . . . . .	<b>12</b>

### Important Safety Instructions

**SAVE THESE INSTRUCTIONS** - This manual contains important instructions that should be followed during installation, operation, and maintenance of the product. Save this manual for future reference.

**⚠** This is the safety alert symbol. When you see this symbol on your pump or in this manual, look for one of the following signal words and be alert to the potential for personal injury!

**⚠ DANGER** indicates a hazard which, if not avoided, *will* result in death or serious injury.

**⚠ WARNING** indicates a hazard which, if not avoided, *could* result in death or serious injury.

**⚠ CAUTION** indicates a hazard which, if not avoided, *could* result in minor or moderate injury.

**NOTICE** addresses practices not related to personal injury. The manufacturer cannot anticipate every possible circumstance that might involve a hazard. The warnings in this manual, and the tags and decals affixed to the unit are, therefore, not all-inclusive. If you use a procedure or operating technique that the manufacturer does not specifically recommend, you must satisfy yourself that it is safe for you and others. You must also make sure that the procedure or operating technique that you choose does not render the system unsafe.

Electrically powered sewage pumps normally give many years of trouble-free service when correctly installed, maintained, and used. However, unusual circumstances (interruption of power to the pump, large solids in the sump, flooding that exceeds the pump's capacity, electrical or mechanical failure in the pump, etc.) may prevent your pump from functioning normally. To prevent possible damage, consult your dealer about installing a secondary sewage pump or a high water alarm. See *Troubleshooting* in this manual for information about common sewage pump problems and remedies. For more information, see your retailer, call Hydromatic customer service at 1-888-957-8677 or visit our web site at [hydromatic.com](http://hydromatic.com).

**⚠ WARNING Hazardous voltage - risk of electrical shock.** Shock can cause serious injury or death. Failure to follow the warnings below can result in fatal electric shock.

**⚠ WARNING Burn Hazard.** Modern motors can operate at high temperatures. Do not touch an operating motor. To do so can cause personal injury.

**⚠ CAUTION Risk of flooding.** If a flexible discharge hose is used, pump may move around in sump when motor starts. If it moves far enough so that the switch hits the side of sump, the switch may stick and prevent the pump from starting. Make sure the pump is secured so it cannot move around in the sump.

**⚠ WARNING** Hazardous pressure and gas - risk of explosion and personal injury. Failure to follow the warnings that follow can result in personal injury.

1. If your basement has water or moisture on the floor, do not walk on the wet area until all the power has been turned off. If the shut-off box is in the basement, call the electric company or the hydro authority to shut off the service to the house, or call your local fire department for instructions. Do not handle the pump or pump motor with wet hands or when standing on wet or damp surfaces.
2. Connect only to a properly grounded receptacle.
3. All wiring should be performed by a qualified electrician.
4. Protect the electrical cord from sharp objects, hot surfaces, oils, and chemicals. Observe the *Cord Lift Warning* shown below.
5. **Risk of explosion and hazardous gas.** Septic tank must be vented in accordance with local plumbing codes.  
Do not smoke or use sparkable electrical devices or flame in a septic (gaseous) or possible septic sump. If a septic sump condition exists and if entry into sump is necessary, then (1) provide proper safety precautions per OSHA requirements and (2) do not enter sump until these precautions are strictly adhered to.  
Do not install pump in location classified as hazardous per N.E.C., ANSI/NFPA 70- 2001.
6. Know the pump application, limitations and potential hazards.

7. Wear safety glasses at all times when working with the pump.
8. Keep the work area clean, uncluttered and properly lighted - secure all unused tools and equipment.
9. Keep visitors at a safe distance from working area.
10. Make the workshop child-proof - with padlocks, master switches, and by removing starter keys.
11. Release all pressure within the system before servicing any component.
12. Provide a means of pressure relief for pumps whose discharge line can be shut-off or obstructed.
13. Periodically inspect the pump and system components. Perform routine maintenance as required.
14. Drain all the liquid from the system before servicing.

### California Proposition 65 Warning


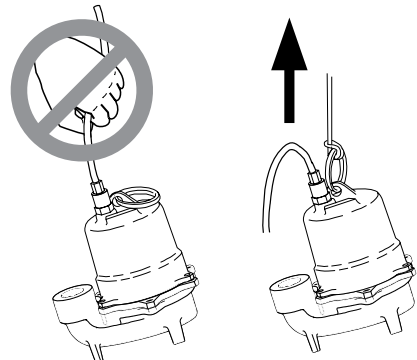
**⚠ WARNING** This product and related accessories contain chemicals known to the State of California to cause cancer, birth defects or other reproductive harm.

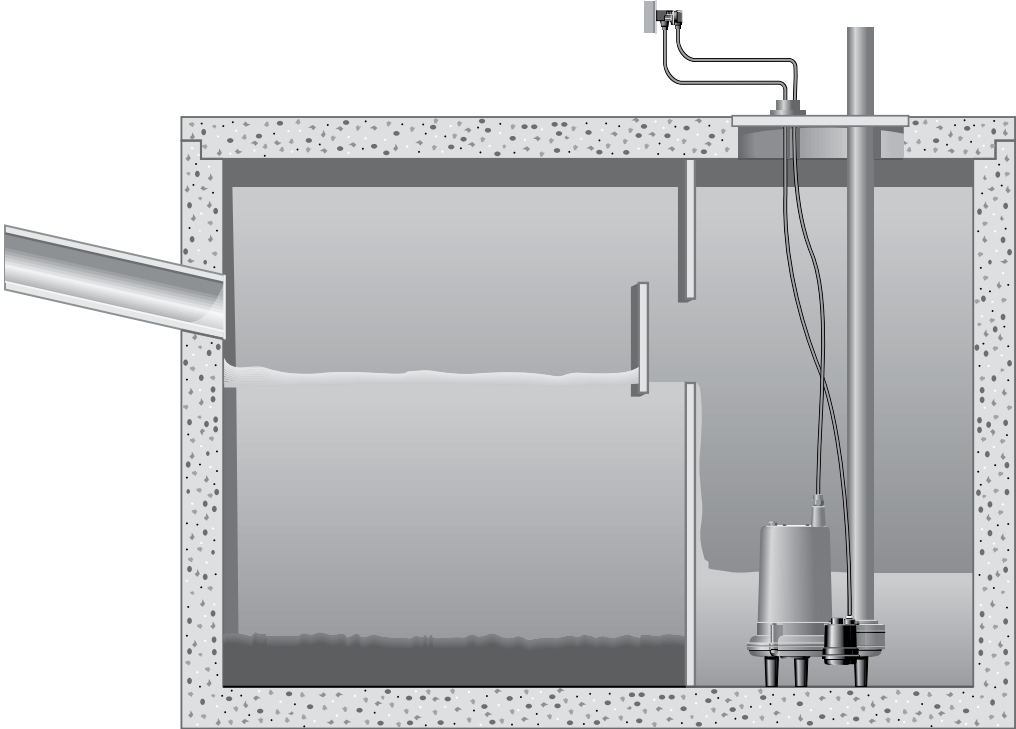
### Installation

Thank you for purchasing this Hydromatic® pump. To help ensure years of trouble-free operation, please read the manual carefully.

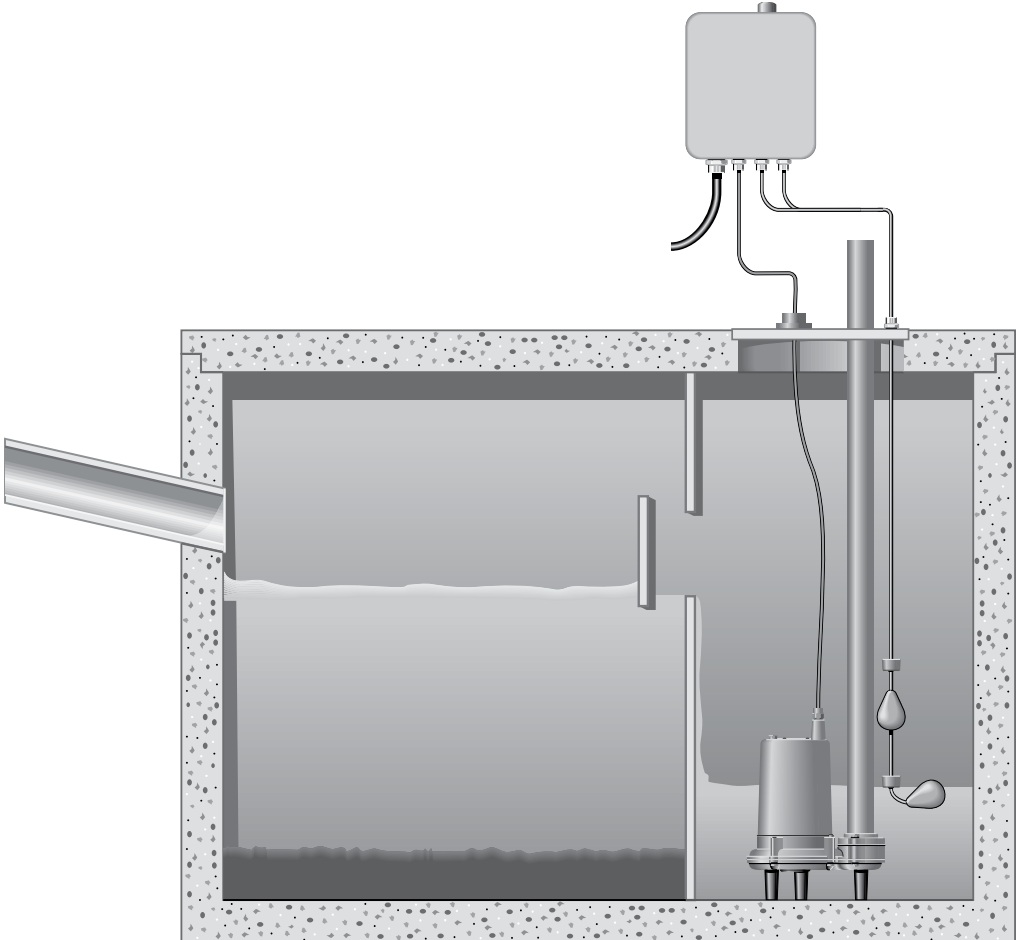
Before installation, check your local electrical and plumbing codes. Typical sewage pump installations are shown on the next page.

### Cord Lift Warning

<p><b>⚠ WARNING</b></p>  <p><b>Risk of electrical shock. Can burn or kill. Do not lift pump by power cord.</b></p>		<p><b>Risk of electrical shock and fire.</b></p> <ol style="list-style-type: none"> <li>1. Attempting to lift or support the pump by the power cord can damage cord and cord connections, expose bare wires, and cause a fire or electrical shock.</li> <li>2. Use handle on top of pump for all lifting or lowering of pump. Disconnect the power to the pump before doing any work on it or attempting to remove it from the pit.</li> <li>3. Lifting or supporting the pump by the power cord will void the warranty.</li> </ol>
-------------------------------------------------------------------------------------------------------------------------------------------------------------------------------------------------------	-------------------------------------------------------------------------------------	-------------------------------------------------------------------------------------------------------------------------------------------------------------------------------------------------------------------------------------------------------------------------------------------------------------------------------------------------------------------------------------------------------------------------------------------------------------------------------------------------------------------------------------



*Typical Single Phase Switch Operated Installation*



*Typical Three Phase Simplex Installation with float*

**Follow these guidelines for installation:**

1. Provide properly sized pit (see *Specifications*) on sewage tank. Minimum pump run time is two minutes. For maximum pump life, three minutes is recommended.
2. Make sure sump is free of string, cloth, nails, gravel, etc., before installing pump.
3. Do not set pump directly on the bottom of sump pit if it is not solid. Raise the pump by using bricks or concrete blocks underneath it.
4. Do not remove ground pin from electrical plug.
5. Do not use an extension cord to operate this pump.
6. For proper automatic operation, make sure the pump power cord is plugged into the piggyback receptacle on the switch cord. Three phase models must be properly connected to a suitable control panel. Do not cut, crimp, or bend single phase switch power cord. This may cause pump failure and void warranty.
7. Use steel or plastic pipe for all connecting lines between pump and sewer outlet.  
**NOTICE:** Some city regulations do not allow installing a pump with plastic pipe. Check local regulations.
8. Use PTFE pipe thread sealant tape on pipe connections. Do not use ordinary pipe joint compound on plastic pipe or pump. Pipe joint compound can attack plastics and damage pump.
9. In applications where the pump may sit idle for months at a time, it is recommended that the pump(s) be cycled every month to ensure the pumping system is working properly when needed.
10. A check valve should be installed horizontally in the discharge pipe.
11. The optional Hydromatic Q Alert is an audible alarm system for high water conditions. It should be installed in every sump for greater protection.  
**NOTICE:** Q Alert is for indoor use only. Other Q Alarm and control panels are available for outdoor use. Contact your Hydromatic distributor for applications.
12. Use pump partially or completely submerged for pumping waterlike liquids. The pump will pump solid materials up to 3/4" (spherical) in diameter.  
**▲ CAUTION Risk of fire.** Do not pump flammable liquids. Strong chemicals or salt water should not be pumped without consulting your Hydromatic distributor for proper seals and coatings.

**Operation**

**NOTICE:** Do not allow pump to run in a dry sump. Doing so will void the warranty and may damage the pump.

An automatic overload protector in the motor will protect the motor from burning out due to overheating/overloading. When the motor cools down, the overload protector will automatically reset.

If overload trips frequently, check for the cause. It could be a stuck impeller, wrong/low voltage, or electrical failure in motor. If an electrical failure in the motor is suspected, have it serviced by a competent repairman.

**Maintenance**

Read the following instructions carefully before replacing any parts. Reasonable care and safe methods should be practiced. Check local codes and requirements before installation. Only a competent plumber/electrician should make the installations.

Submerge pump in a disinfectant solution (dilute chlorine bleach) for at least one hour before disassembling pump.

**The following steps should be performed only by an authorized service center.**

**NOTICE:** Read all directions before replacing any parts. Remove pump and switch from power source before servicing.

The numbers in parentheses, such as "(3)" or "(16)", refer to item numbers used on the *Repair Parts* diagram.

**Checking power cord**

To be sure wires are not burned off or broken in cord, use ohmmeter for check. Set ohmmeter scale to R X 1 scale and check meter by putting both meter leads together and adjusting the needle knob until meter reads zero. If meter cannot be adjusted to zero, the batteries in meter must be replaced.

**NOTICE:** Always reset meter to zero [0] when going to a new scale before making any checks on motor.

Attach one meter lead to white cord wire and one meter lead to black cord wire, then place a screwdriver blade across terminals of plug. If cord is OK, meter needle will go to zero and stay there. If meter needle does not move, the cord has an open wire and the cord must be replaced.

### Checking motor operation

If the unit is being operated by float switch, unplug the pump from the piggyback receptacle and plug the pump directly into the power source. Motor should start and run smoothly. If motor does not start each time it is plugged directly into the receptacle and does not start each time when plugged into the piggyback switch with the float raised, replace the complete piggyback switch assembly and retest with new assembly.

If motor does not run when tested with functional switch, the capacitor and/or stator must be checked.

### Checking motor stator

1. Remove plug (6) from top of housing (2) and pour oil into a clean glass container. If oil is clear, it will indicate motor is not burned and there has been no water leak into the motor. If oil is black, it will indicate a burned stator. If oil is cloudy, it will indicate water in motor oil, so all seals should be replaced.
2. After draining oil, carefully loosen the power cord assembly (22) from the motor housing (2). With power cord loose, remove the screws (4) and carefully lift off the motor housing (2) exposing the motor assembly.
3. On single phase (1Ø) units, check capacitor (28) using ohmmeter. With ohmmeter scale set at R x 1000, attach meter leads to capacitor leads. The meter needle should go to zero and come back slowly. If it does not, the capacitor should be replaced.
4. To check motor stator, remove power cord leads from terminals on top of motor (1Ø) or remove splice connectors (3Ø). If stator is visibly burned, motor assembly must be replaced. If stator is not burned but the oil shows signs of water, stator can be checked with the ohmmeter to see if it can be used.

### Ground check

Set ohmmeter scale to R X 100K scale. Connect one meter lead to one blade terminal of stator and touch other meter lead to motor housing (2). If the resistance to the ground is less than 500,000 ohms, stator must be dried out before retesting. To dry out, place pump in 220 degree oven for four hours. Recheck after motor cools.

If motor is thoroughly dry, needle of ohmmeter will not move on the ground check. This indicates a reading of 50 megohms or higher. When making the ground check, if the needle goes to zero, the motor has a wire touching the stator shell at some place and the stator will have to be replaced. Repeat for each leg or wire lead.

**NOTICE:** If motor shows a satisfactory ground check then the winding resistance must be checked.

### Winding resistance test

1. Use ohmmeter with scale set to R X 1 scale. On this scale, meter reads directly in ohms. Recheck to zero [0] before making a reading on the winding.  
**NOTICE:** If water is found in motor, seal should be replaced.
2. For single phase pumps, connect one meter lead to the white wire terminal and the other meter lead to the black wire terminal. This reading is for the main winding. If the readings obtained do not agree with those given below, the stator is defective and the motor assembly must be replaced.  
Reconnect the wires as they were removed.

### Replacing seal

A milky appearance to the oil collected earlier indicates that water has entered through worn or damaged seals or O-rings. In this case, the mechanical seal (14) and the O-ring (19) will have to be replaced. The seal (14) consists of a ceramic stationary seat and a carbon rotating ring. To check seal:

1. Remove bottom plate (12) and impeller (11).
2. Remove the rotating carbon ring and stainless steel spring.
3. Remove the hex head stator bolts and lift the stator (3). A screwdriver can be inserted under the stator shell in order to remove the stator.
4. Tap the end of the shaft with a plastic or rubber hammer. This will push the rotating half of the mechanical seal from the shaft and also push the lower bearing from the seal plate. Now remove the shaft, rotor, and bearing assembly from the seal plate.
5. Turn the bearing by hand: if it feels rough when turned or looks rusted, it should be replaced. Use a bearing puller to remove the bearing.

## Reassembly

1. Thoroughly clean the seal (14) and bearing pockets in the volute. All sand and dirt must be removed.
2. If the stationary seal half was removed, use a plastic pusher to press it into the housing. Make sure the rubber ring goes in first. Do not use any sharp objects that may damage the seal.
3. When installing a replacement bearing, press only on the inner face and make sure the bearing is flush against the snap ring. If a press is not available, the bearing can be tapped onto the shaft using a sleeve that bears only on the inner face. Pressing on the outer face will ruin the bearing.
4. Push the shaft, rotor and ball bearing assembly into the seal plate, being careful not to chip the ceramic of the stationary seal half.
5. Replace wavy washer.
6. Replace the motor if it is visibly burned or if the ground resistance test or the winding resistance test has failed. Note that the replacement stator must be of the same manufacture as the existing rotor, or vice versa. Replace the four stator bolts.
7. Remove the old O-ring (19), regardless of condition, and replace. Place the new O-ring over the seal plate shoulder. Do not "roll" it. If twisted, water may enter chamber and cause failure.
8. Reattach power wires and ground.
9. Clean the motor housing (2) thoroughly, then position it onto the seal plate.
10. Press the new ceramic seal (14) in place with the rubber ring facing the impeller. This should have a thin oil (dielectric, same as in motor housing) coating.

**NOTICE:** Ceramic must be kept clean. Any dirt will cause seal failure. Also, mixing old and new seal parts will cause immediate seal failure. When replacing seal, replace both the rotating and the stationary seal halves.

11. Reassemble the lower seal as described.
12. Add a drop of <sup>2</sup>Loctite® #243 to the impeller threads and screw the impeller hand tight. The impeller will force the ceramic seal into position. The shaft should be free of dirt, grease, etc., or the Loctite® will not hold as designed. Replace impeller washer and impeller screw to the shaft on three phase models.

<sup>2</sup> Henkel Corporation, Germany

**NOTICE:** Loctite® overrun onto the seal or bearing will result in shaft seizure.

13. Install bottom plate (12) and gasket (15).
14. To replace the power cord (22) on single phase pumps, first slip the stator lead wires through the holes in the wire seal assembly. Coat the cord grip threads with PTFE pipe thread sealant tape and screw the new power cord assembly into the motor housing. Referring to wiring diagrams in this manual, secure wires together with wire nuts.

**NOTICE** Do not tape leads together as the hot oil will deteriorate the tape and cause failure.

15. Before filling the motor housing with oil, a seal leak test should be performed. Apply 7 to 8 pounds of air pressure in the 1/4" NPT tap (6) on the top of the motor cover and seal chamber.

**NOTICE** Too much pressure will damage the seal. Seal would have to be replaced.

Then submerge the pump in water and check for leaks. If a leak occurs, isolate where it is coming from and correct the problem by replacing the failed part.

Hydromatic pumps have a small air vent hole in the impeller cavity to let out trapped air. If this hole becomes plugged, pump may air lock. To break the air lock, use a small screwdriver to clear hole in the impeller cavity.

As a secondary precaution in installations of this type, an 1/8" hole should be drilled in the discharge pipe just above the volute. The check valve should be at least 12 inches above pump discharge and mounted horizontally. Do not put check valve directly into pump discharge opening.

**NOTICE:** In sumps where the pump is operating daily, air locking rarely occurs.

## Oil fill

1. After seal leak test is satisfactory, remove unit from water and wipe or blow off any excess water.
2. Do not put oil in motor with any water present in motor cavity.
3. Use refined paraffinic transformer oil, <sup>3</sup>Shellflex™ 2210 or equivalent.
4. Slowly fill oil to 1/8" over windings in motor housing through opening (6). Use an oil fill tube that will go into holes so that air can escape. Replace plug (6).  
**NOTICE** Do not fill the motor housing completely – allow air space for expansion.
5. Connect power cord wires to terminals in panel, or connect power source, and check pump running. Motor should run smoothly and be free of vibration. Pump is ready for operation.

<sup>3</sup> Shell Oil Company, Texas

**⚠ WARNING Hazardous voltage.** Can shock, burn, or kill. Disconnect power before attempting any service or repair work on pump.

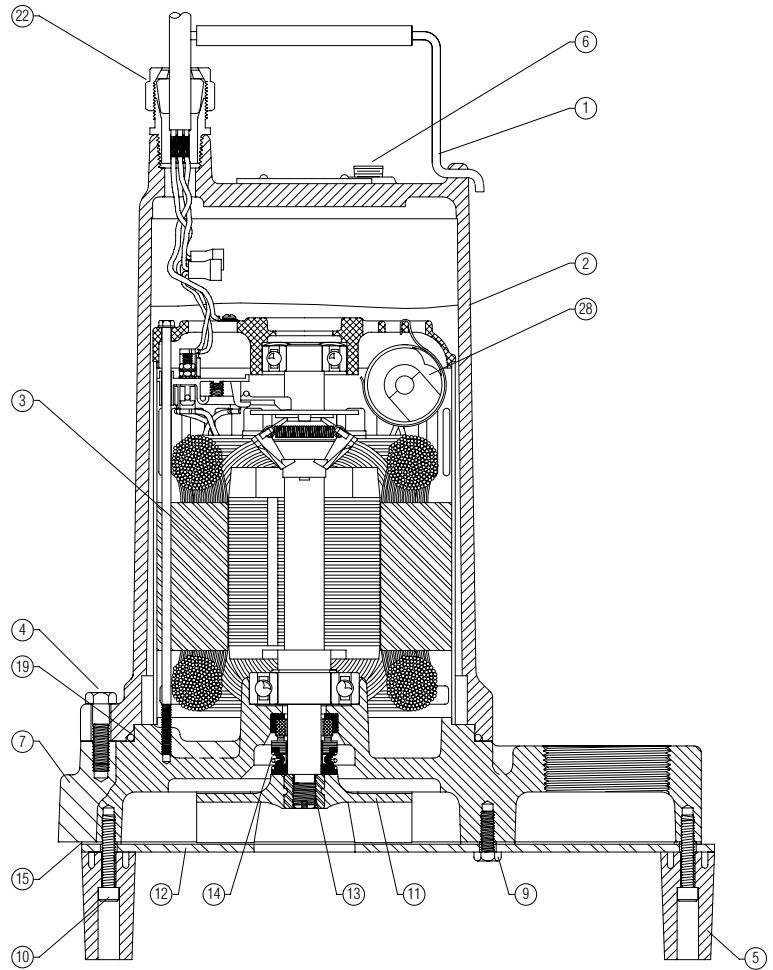
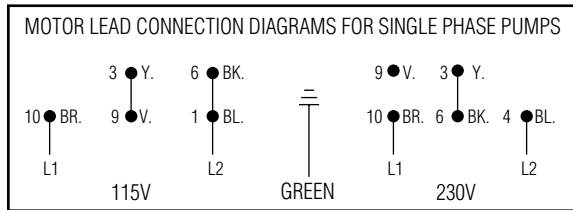
**⚠ WARNING Hazardous impellers and unexpected starts which can cause loss of fingers.** Keep hands away from pump suction inlet when working on or servicing pump.

Symptom	Possible Cause(s)	Corrective Action
Motor not running	Motor protector tripped.	Allow motor to cool. Make sure pump is completely submerged. Clear debris from volute and impeller. Check for high amp draw.
	Open circuit breaker or blown fuse.	Replace fuse or reset breaker. If circuit breaker opens repeatedly, don't reset it - call a licensed electrician.
	Impeller clogged or binding.	Check amp draw. If it is more than twice the nameplate amps, the impeller is locked. Bearings and shaft may be damaged. DISCONNECT POWER, clear debris from volute, impeller, and cutter as needed.
	Power cable damaged.	Resistance between power cable and ground should be infinity. If any reading is less than infinity, call a licensed electrician.
	Bad control panel.	Inspect control panel wiring. Call a licensed electrician.
	Defective liquid level switch.	With switch disconnected from power, check continuity through switch while activating liquid level switch. Replace switch if necessary.
	Not enough liquid in wet well to activate controls.	Allow the liquid to rise several inches above the switch-on level.
	Liquid level cords tangled	Untangle cords for free operation.
	Automatic controls defective	Try running pump in manual mode. If it runs, the automatic control is at fault.
Pump runs continuously	Liquid level control cords tangled	Untangle cords for free operation.
	Pump is airlocked.	Stop pump for about one minute, then restart. Repeat stopping and starting until the airlock clears. If the airlock persists, DISCONNECT POWER, pull the pump and drill a 1/8" hole in the discharge pipe between the pump discharge and the check valve.
	Flow in matches or exceeds the pump's capacity.	A larger pump or more pumps may be needed.
Little or no effluent delivered from pump	Check valve plugged, stuck shut, or installed backwards.	Make sure check valve is installed correctly (flow arrow should point away from pump) and functioning correctly.
	System head excessive.	Consult dealer.
	Pump suction plugged.	DISCONNECT POWER, pull pump, inspect, and clear as needed.
	Wrong voltage or not wired correctly.	Check pump's rotation; check nameplate voltage against supply voltage (they must match); consult a licensed electrician.
	Pump is air locked.	Stop pump for about one minute, then restart. Repeat stopping and starting until the airlock clears. If the airlock persists, DISCONNECT POWER, pull the pump and drill a 1/8" hole in the discharge pipe between the pump discharge and the check valve.
	Worn or damaged impeller.	DISCONNECT POWER, pull pump and inspect impeller. Replace if necessary.
Pump cycles constantly	Liquid level controls incorrectly installed or defective.	Reposition or replace as necessary.
	No discharge check valve installed.	Install discharge check valve.
	Discharge check valve stuck open.	Repair or replace check valve as necessary.
	Sewage wetwell too small.	Consult dealer.
	Pump too small for inlet flow.	Consult dealer about larger pump or second pump.



## MES50 and MES100

### Single Phase



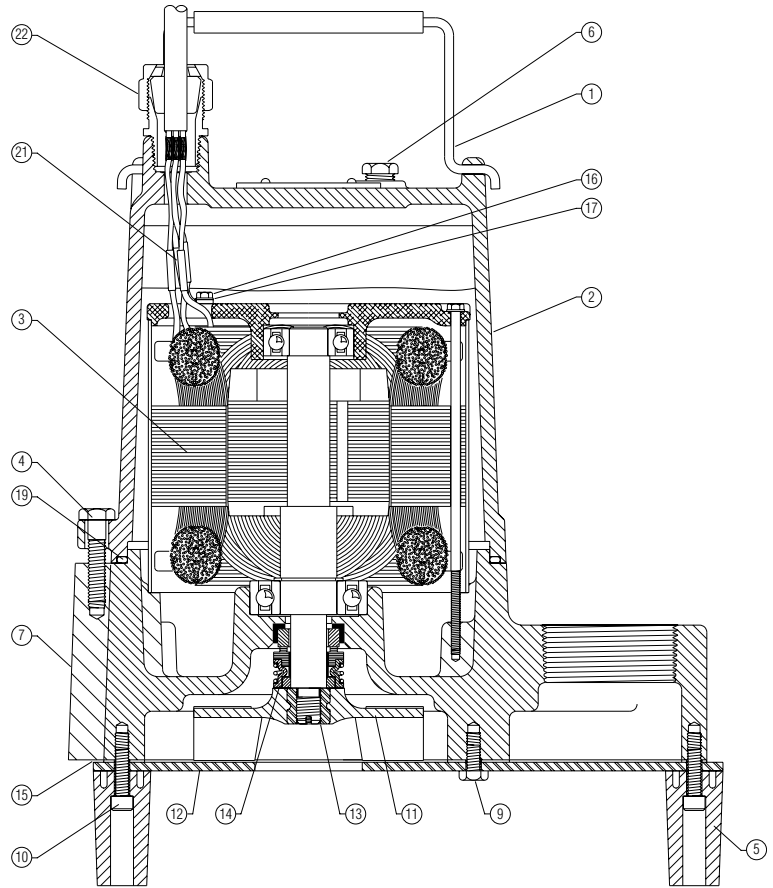
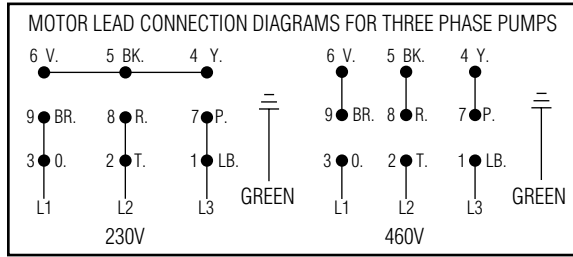
Ref.	Description	Qty.	Part Number
1	Handle	1	000600005
2	Housing, Motor 115V	1	000562322
	Housing, Motor 230V	1	000560222
3	Motor Assembly, 115/230V, MES50	1	135380001
	Motor Assembly, 230V, MES100	1	135400001
4	Screw, Hex Hd. 5/16-18x1.25	4	001010081
5	Leg, 2"	3	135070011
6	Pipe Plug, 1/4 NPT	1	149810011
7	Volute Case	1	002020042
9	Screw, Hex Hd. , 1/4-20x.50	5	19099A029
10	Screw, Hex Soc. Hd. Cap, 1/4-20x1.25	3	06106A019
11	Impeller, MES50	1	096400011
	Impeller, MES100	1	096400021
12	Bottom Plate	1	085210051
13	Loctite Sealant	—	017540001
14	Shaft Seal	1	14525A010

Ref.	Description	Qty.	Part Number
15	Gasket	1	135620011
19	O-Ring	1	000770031
22	Power Cord Assembly w/plug, 20', 115V,	1	132160015
	Power Cord Assembly w/plug, 30', 115V	1	132160045
	Power Cord Assembly w/plug, 20', 230V	1	132160025
	Power Cord Assembly w/plug, 30', 230V	1	132160055
28	Capacitor (Motor Assy)	1	—
*	Float Switch Assy, 20', 115V, MES50	1	145951201
	Float Switch Assy, 30', 115V, MES50	1	145951301
	Float Switch Assy, 20', 230V	1	139670257
	Float Switch Assy, 30', 230V	1	139670357

\* not shown

## MES50 and MES100

### Three Phase



Ref.	Description	Qty.	Part Number
1	Handle	1	000600005
2	Housing, Motor	1	000565002
3	Motor Assembly, 230/460V, MES50	1	135390021
	Motor Assembly, 230/460V, MES100	1	135410021
	Motor Assembly, 575V, MES50	1	135870021
	Motor Assembly, 575V, MES100	1	135880021
4	Screw, Hex Hd. 5/16-18x1.25	4	001010081
5	Leg, 2"	3	135070011
6	Pipe Plug, 1/4 NPT	1	149810011
7	Volute Case	1	002020042
9	Screw, Hex Hd., 1/4-20x.50	5	001760031
10	Screw, Hex	3	005170101
11	Impeller, MES50	1	096400011
	Impeller, MES100	1	096400021

Ref.	Description	Qty.	Part Number
12	Bottom Plate	1	085210051
13	Locktite Sealant	—	017540001
14	Shaft Seal	1	14525A010
15	Gasket	1	135620011
16	Machine Screw, 8-32x.25	4	128450011
17	Lockwasher, #8 Star	4	009950021
19	O-Ring	1	000770031
21	Splice Connector	4	000730011
22	Power Cord Assembly, 20'	1	116440085
	Power Cord Assembly, 30'	1	116440225

\* not shown

## LIMITED WARRANTY

**Myers® warrants to the original consumer purchaser (“Purchaser” or “You”) of the products listed below, that they will be free from defects in material and workmanship for the Warranty Period shown below.**

<b>Product</b>	<b>Warranty Period whichever occurs first:</b>
Jet pumps, small centrifugal pumps, submersible pumps and related accessories	12 months from date of original installation, or 18 months from date of manufacture
Fibrewound Tanks	5 years from date of original installation
Steel Pressure Tanks	5 years from date of original installation
Sump/Sewage/Effluent Products	12 months from date of original installation, or 36 months from date of manufacture
Battery Backup Units	
MBSP-2, MBSP-2C	12 months from date of original installation, or 18 months from date of manufacture
MBSP-3, MBSP-3C	24 months from date of original installation, or 30 months from date of manufacture
Wastewater Solids Handling Pumps	12 months from date of shipment from factory or 18 months from date of manufacture

Our warranty applies only where such products are used in compliance with the requirements of the applicable product catalog and/or manuals. For additional information, please refer to the applicable standard limited warranty featured in the product manual.

Our warranty will not apply to any product that, in our sole judgement, has been subject to negligence, misapplication, improper installation, or improper maintenance. Without limiting the foregoing, operating a three phase motor with single phase power through a phase converter will void the warranty. Note also that three phase motors must be protected by three-leg, ambient compensated, extra-quick trip overload relays of the recommended size or the warranty is void.

Your only remedy, and MYERS’s only duty, is that MYERS repair or replace defective products (at MYERS’s choice). You must pay all labor and shipping charges associated with this warranty and must request warranty service through the installing dealer as soon as a problem is discovered. No request for service will be accepted if received after the Warranty Period has expired. This warranty is not transferable.

MYERS SHALL NOT BE LIABLE FOR ANY CONSEQUENTIAL, INCIDENTAL, OR CONTINGENT DAMAGES WHATSOEVER.

THE FOREGOING LIMITED WARRANTIES ARE EXCLUSIVE AND IN LIEU OF ALL OTHER EXPRESS AND IMPLIED WARRANTIES, INCLUDING BUT NOT LIMITED TO IMPLIED WARRANTIES OF MERCHANTABILITY AND FITNESS FOR A PARTICULAR PURPOSE. THE FOREGOING LIMITED WARRANTIES SHALL NOT EXTEND BEYOND THE DURATION PROVIDED HEREIN.

Some states do not allow the exclusion or limitation of incidental or consequential damages or limitations on the duration of an implied warranty, so the above limitations or exclusions may not apply to You. This warranty gives You specific legal rights and You may also have other rights which vary from state to state.

This Limited Warranty is effective April 1, 2014 and replaces all undated warranties and warranties dated before April 1, 2014.

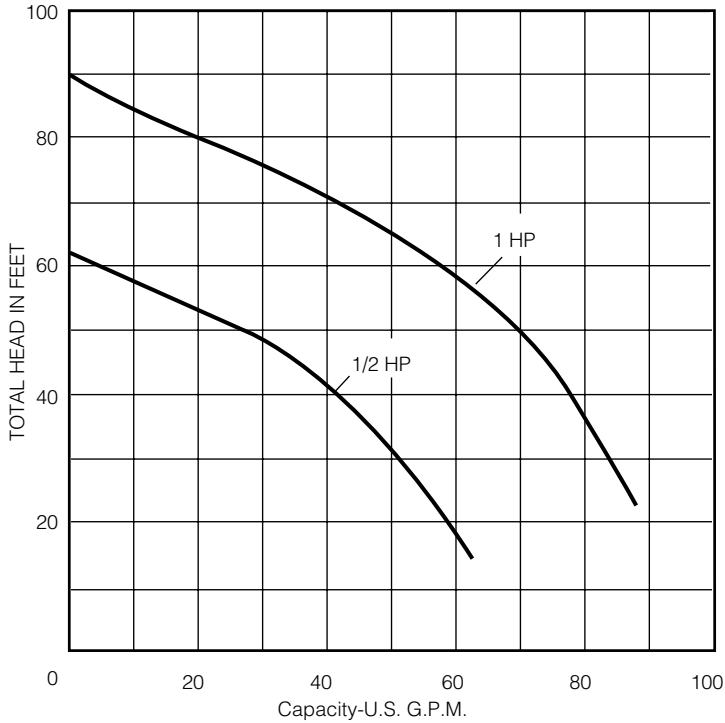
### MYERS

293 Wright Street, Delavan, WI 53115  
 Phone: 888-987-8677 • Fax: 800-426-9446 • www.femyers.com  
 In Canada: 490 Pinebush Road, Unit 4, Cambridge, Ontario N1T 0A5  
 Phone: 800-363-7867 Fax: 888-606-5484

## Product Specifications

Model	MES50	MES100
Typical Application:	Sewage, effluent, dewatering	
Capacities:	up to 63 GPM (53 LPM)	up to 88 GPM (74 LPM)
Heads:	up to 63 ft (19.2 m)	up to 90 ft (27.4 m)
Electrical:	115V, 1 $\phi$ , 14.5 FLA, 60Hz; 208V, 1 $\phi$ , 7.6 FLA, 60Hz; 230V, 1 $\phi$ , 7.6 FLA, 60Hz; 230V, 3 $\phi$ , 3.1 FLA, 60Hz; 460V, 3 $\phi$ , 1.6 FLA, 60Hz; 575V, 3 $\phi$ , 1.2 FLA, 60Hz	208V, 1 $\phi$ , 13.6 FLA, 60Hz; 230V, 1 $\phi$ , 12.1 FLA, 60Hz; 230V, 3 $\phi$ , 5.8 FLA, 60Hz; 460V, 3 $\phi$ , 3 FLA, 60Hz; 575V, 3 $\phi$ , 1.9 FLA, 60Hz
Motor:	1/2 HP (with start capacitor, single phase), 3450 RPM	1 HP (with start capacitor, single phase), 3450 RPM
Intermittent Liquid Temperature:	140°F (60°C)	
Minimum Recommended Sump Diameter:	Simplex = 24" (609.6 mm); Duplex = 36" (914.4 mm)	
Automatic Operation:	Wide angle tethered switch (single phase only)	
Materials of Construction:	Class 30 cast iron	
Impeller:	Thermoplastic	
Discharge Size:	2" NPT (50.8 mm)	
Solids Handling:	3/4" (19.1 mm)	
Power Cord:	20' SJTW STW-A (30' optional)	

## Performance Curve





## Table des matières


<b>Directives de sécurité importantes</b> . . . . .	<b>13</b>
<b>Installation</b> . . . . .	<b>14</b>
<b>Utilisation</b> . . . . .	<b>16</b>
<b>Entretien</b> . . . . .	<b>16</b>
Vérification de la terre . . . . .	17
Remontage . . . . .	18
Remplissage avec de l'huile . . . . .	18
<b>Dépannage</b> . . . . .	<b>19</b>
<b>Pièces de rechange</b> . . . . .	<b>20</b>
<b>Garantie</b> . . . . .	<b>22</b>
<b>Caractéristiques du produit</b> . . . . .	<b>23</b>


## Directives de sécurité importantes

**Conservez ces directives** – Ce manuel renferme d'importantes directives qu'il faut suivre durant l'installation et l'entretien de la pompe.

Ce symbole  indique qu'il faut être prudent. Lorsque ce symbole apparaît sur la pompe ou dans cette Notice, rechercher une des mises en garde qui suivent, car elles indiquent un potentiel de blessures corporelles!

Le mot signal  **DANGER** indique un danger qui, s'il n'est pas évité, *causera* la mort ou des blessures graves.

Le mot signal  **AVERTISSEMENT** indique un risque qui, s'il n'est pas évité, *pourrait causer* la mort ou des blessures graves.

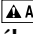
Le mot signal  **ATTENTION** indique un risque qui, s'il n'est pas évité, *pourrait causer* des blessures mineures ou modérées.


Le mot **AVIS** est utilisé pour les pratiques qui ne sont pas reliées aux blessures personnelles.


Le fabricant ne peut anticiper toutes les circonstances potentielles pouvant comporter un danger. Par conséquent, les avertissements contenus dans le présent manuel, ainsi que les plaques et les décalques apposés sur l'unité n'englobent pas toutes les possibilités. Si vous utilisez une procédure, une méthode de travail ou une technique d'opération non spécifiquement recommandée par le fabricant, vous devez vous assurer qu'elle ne compromet pas votre sécurité ni celle des autres. Vous devez également vous assurer que la procédure, la méthode de travail ou la technique d'opération que vous choisissez ne rende pas la pompe dangereuse.

Normalement, les électropompes de puisard fournissent de nombreuses années de service sans incident si elles sont bien posées, entretenues et utilisées. Toutefois, certaines circonstances inhabituelles (interruption du courant alimentant la pompe, saletés/débris dans le puisard, envahissement par l'eau dépassant le débit de pompage de la pompe, panne mécanique ou électrique de la pompe, etc.) peuvent empêcher la pompe de fonctionner normalement. Pour empêcher toute possibilité de dommages causés suite à un envahissement par l'eau, consulter le marchand de chez qui la pompe a été achetée concernant la pose d'une pompe de puisard secondaire, d'une pompe de puisard de secours fonctionnant sur le courant continu et/ou d'une alarme de niveau haut d'eau.

Se reporter au «Recherche des pannes» de cette Notice pour tout renseignement concernant les problèmes courants des pompes de puisard et comment y remédier. Pour plus de renseignements, s'adresser au marchand de chez qui on a acheté la pompe ou appeler le service à la clientèle Hydromatic en composant le 1 888-957-8677 ou consulter notre site web hydromatic.com.

 **AVERTISSEMENT** **Tension dangereuse - risque de secousses électriques.** Les secousses électriques risquent de causer de graves blessures, voire la mort. Ne pas respecter les avertissements qui suivent risque de causer une électrocution mortelle.

 **AVERTISSEMENT** **Risque de brûlure pouvant causer de graves blessures.** Les moteurs modernes peuvent fonctionner par des températures élevées. Ne pas toucher un moteur qui fonctionne.

 **ATTENTION** **Risque d'inondation pouvant causer de graves blessures, ou des dommages matériels.** Si un tuyau de refoulement souple est utilisé, la pompe risque de se déplacer dans le puisard lorsque le moteur démarrera. Si elle se déplace suffisamment loin, l'interrupteur risque de venir heurter la paroi du puisard et se coincer, ce qui empêchera la pompe de démarrer. S'assurer que la pompe est bien immobilisée de façon qu'elle ne puisse pas se déplacer dans le puisard.

**⚠ AVERTISSEMENT** Pression dangereuse - risque d'explosion et de blessures corporelles. Ne pas respecter les avertissements qui suivent risque de causer des blessures corporelles.

1. Si le sol du sous-sol est humide ou couvert d'eau, ne pas marcher sur cette surface humide tant que toute l'alimentation en courant électrique n'aura pas été interrompue. Si le sectionneur principal se trouve au sous-sol, appeler la compagnie qui fournit l'électricité pour lui demander d'interrompre le service parvenant à la maison ou appeler le service d'incendie local pour plus de renseignements. Ne pas manipuler la pompe ou le moteur lorsqu'on a les mains mouillées ou lorsqu'on se tient sur une surface humide, mouillée ou dans l'eau.
2. Ne brancher cette fiche que dans une prise de courant adéquatement mise à la terre.
3. Tout le câblage doit être effectué par un électricien qualifié.
4. Protéger le cordon électrique contre les objets tranchants, les surfaces chaudes, l'huile et les produits chimiques. Observer le *Avertissement concernant le levage par le cordon* indiquées ci-dessous.
5. Risque d'explosion et de présence de gaz dangereux. Le système septique doit bénéficier d'une aération conformément aux codes de plomberie locaux.  
Ne fumez pas, n'utilisez pas d'appareils électriques à étincelle ou de flamme dans une fosse septique (gazeuse) ou si le puisard est susceptible d'être septique.  
S'il y a possibilité que le puisard soit septique et que l'on doive y entrer : (1) observez les précautions de sécurité appropriées conformément aux exigences OSHA et (2) n'entrez pas dans la fosse tant que ces précautions n'ont pas été strictement respectées.  
N'installez pas la pompe dans un endroit considéré comme dangereux par la norme ANSI/NFPA 70-1984 du Code national de l'électricité.
6. Connaître les applications de la pompe, les limites et les dangers potentiels.
7. Toujours porter des lunettes de sécurité lorsque l'on intervient sur une pompe.

8. Toujours garder la zone de travail propre, débarrassée de tout débris et bien éclairée - enlever tous les outils et tout le matériel dont on ne se sert pas.
9. Ne pas laisser les visiteurs s'approcher de la zone de travail.
10. Empêcher les enfants d'accéder à l'atelier en posant des cadenas, un disjoncteur général et en enlevant les clés des démarreurs.
11. Dissiper toute la pression du système avant d'intervenir sur un élément.
12. Si la conduite de refoulement de la pompe peut être fermée avec un robinet ou si elle risque d'être obstruée, prévoir un moyen de dissiper la pression.
13. Périodiquement, inspecter le puisard et tous les éléments de la pompe et du système. Enlever tous les débris et tous les corps étrangers du puisard. Procéder à un entretien périodique au besoin.
14. Vider toute l'eau du système avant d'intervenir sur le système.

#### Avertissement lié à la Proposition 65 de la Californie


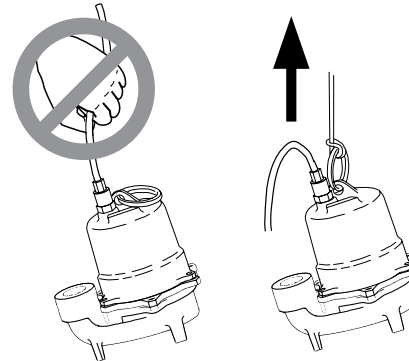
**⚠ AVERTISSEMENT** Ce produit et les accessoires connexes contiennent des produits chimiques reconnus dans l'État de la Californie comme pouvant provoquer des cancers, des anomalies congénitales ou d'autres dangers relatifs à la reproduction.

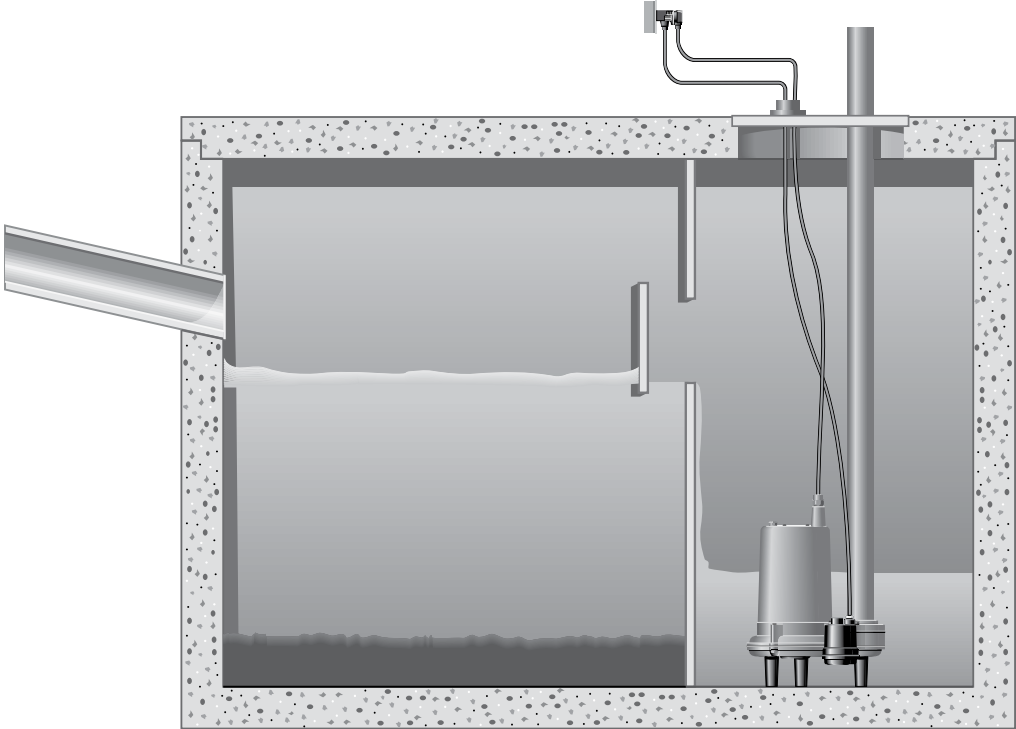
### Installation

Nous vous remercions d'avoir acheté cette pompe Hydromatic®. Pour vous assurer des années de fonctionnement optimal, veuillez lire ce manuel attentivement.

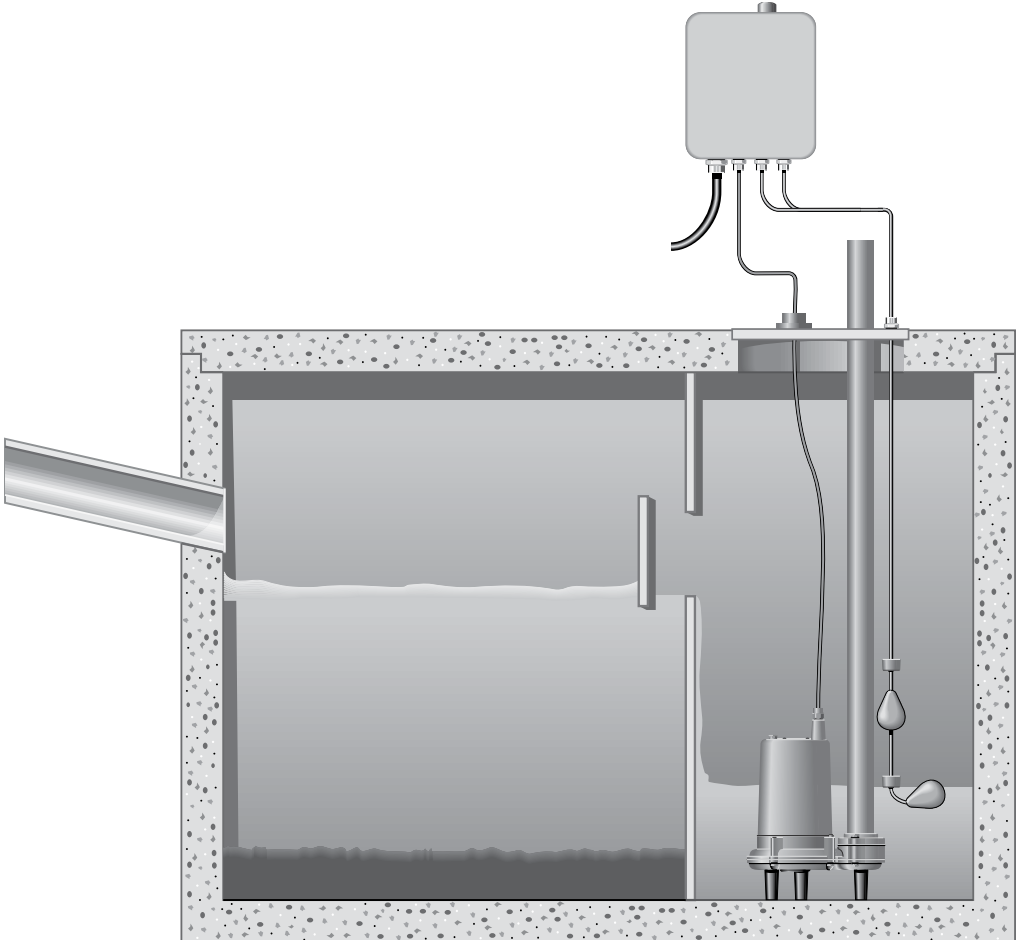
Avant l'installation, vérifiez les codes d'électricité et de plomberie locaux. Les installations typiques des pompes d'eaux d'égout sont illustrées à la page suivante.

### Avertissement concernant le levage par le cordon

<p><b>⚠ AVERTISSEMENT</b></p>  <p><b>Risque de choc électrique. Peut provoquer des brûlures, voire la mort. Ne soulevez pas la pompe par son cordon d'alimentation.</b></p>		<p><b>Risque de choc électrique et d'incendie.</b></p> <ol style="list-style-type: none"> <li>1. Essayer de lever ou tenir la pompe par son cordon d'alimentation peut endommager le cordon et les raccordements de celui-ci, mettre les fils à nu et provoquer un incendie ou un choc électrique.</li> <li>2. Utilisez la poignée située sur le dessus de la pompe pour tout levage ou abaissement de la pompe. Coupez l'alimentation électrique de la pompe avant de travailler dessus ou d'essayer de la retirer de la fosse.</li> <li>3. Lever ou tenir la pompe par son cordon d'alimentation annule la garantie.</li> </ol>
----------------------------------------------------------------------------------------------------------------------------------------------------------------------------------------------------------------------------------------------------------------	-------------------------------------------------------------------------------------	-----------------------------------------------------------------------------------------------------------------------------------------------------------------------------------------------------------------------------------------------------------------------------------------------------------------------------------------------------------------------------------------------------------------------------------------------------------------------------------------------------------------------------------------------------------------------------------------------------------------------------------



Installation typique à une pompe seule phase



Installation typique à une pompe triphase

**Suivez ces instructions d'installation :**

1. Fournissez une fosse aux dimensions adéquates (reportez-vous aux *Caractéristiques*) pour le réservoir d'eaux d'égout. Le temps de fonctionnement minimal de la pompe est de deux minutes. Pour une durée de vie optimale de la pompe, une durée de trois minutes est recommandée.
2. Avant d'installer la pompe, assurez-vous que la fosse est exempte de ficelles, tissus, ongles, gravier, etc.
3. N'installez pas la pompe directement sur le fond du puisard, si celui-ci n'est pas solide. Surélevez la pompe en utilisant des briques ou des blocs de béton.
4. Ne retirez pas la broche de mise à la terre de la fiche électrique.
5. N'utilisez pas de rallonge pour faire fonctionner cette pompe.
6. Pour garantir un fonctionnement automatique adéquat, assurez-vous que la pompe est branchée dans la fiche multiprise du cordon de l'interrupteur. Les modèles triphasés doivent être correctement raccordés à un tableau de commande approprié.  
Ne coupez, pincez ou tordez pas le cordon d'alimentation de l'interrupteur monophasé. Cela pourrait provoquer une défaillance de la pompe et annuler la garantie.
7. Utilisez des conduites d'acier ou de plastique pour toutes les canalisations de raccordement entre la pompe et le point de rejet des eaux d'égout.  
**AVIS** : Les réglementations de certaines villes ne permettent pas l'installation d'une pompe avec une conduite de plastique. Vérifiez les réglementations locales.
8. Utilisez ruban d'étanchéité en PTFE pour filetage sur les raccordements des conduites. N'utilisez pas de la pâte à joint ordinaire sur les conduites de plastique ou la pompe. La pâte à joint peut attaquer le plastique et endommager la pompe.
9. Si la pompe doit rester inactive pendant plusieurs mois, il est recommandé de la faire tourner tous les mois pour vous assurer que le système de pompage fonctionnera correctement lorsque vous en aurez besoin.
10. Un clapet de non-retour doit être installé à l'horizontale dans la conduite de refoulement.
11. Le système optionnel Hydromatic Alerte Q est un système d'alarme sonore qui vous avertit en cas de niveau élevé de l'eau. Il est recommandé de l'installer dans toute fosse pour une protection accrue.  
**AVIS** : Le système Alerte Q est destiné à un usage à l'intérieur uniquement. D'autres alarmes et tableaux de commande Q sont disponibles pour un usage à l'extérieur. Communiquez avec votre distributeur Hydromatic concernant les applications.
12. Utilisez la pompe partiellement ou complètement immergée pour le pompage de liquides comme l'eau. La pompe prend en charge les corps solides (sphériques) jusqu'à 1.9 mm de diamètre. Cette pompe n'a pas été vérifiée pour une utilisation en piscine.

**⚠ ATTENTION** **Risque d'inflammable.** Ne pompez pas de liquides inflammables. Ne pompez pas de produits chimiques agressifs ou d'eau salée sans avoir consulté votre distributeur Hydromatic concernant les joints et revêtements adaptés.

**Utilisation**

**AVIS** : Ne laissez pas la pompe fonctionner dans une fosse à sec. Cela annulerait la garantie et pourrait endommager la pompe.

Une protection automatique contre les surcharges à l'intérieur du moteur empêche celui-ci de griller à cause d'une surchauffe/surcharge. Lorsque le moteur refroidit, la protection contre les surcharges se réinitialise automatiquement.

Si la protection contre les surcharges se déclenche fréquemment, cherchez-en la cause. Cela peut être dû à un impulseur bloqué, une tension inadéquate/basse ou une défaillance électrique du moteur. Si vous suspectez une défaillance électrique du moteur, demandez à un réparateur qualifié de corriger le problème.

**Entretien**

Lisez attentivement les instructions suivantes avant de procéder au remplacement d'une pièce. Faites preuve de soin et utilisez des méthodes sécuritaires. Vérifiez les codes et exigences au niveau local avant de procéder à l'installation. Seul un plombier/électricien qualifié doit effectuer l'installation.

Plongez complètement la pompe dans une solution désinfectante (à base d'agent de blanchiment dilué) pendant au moins une heure avant de la démonter.

**Les étapes décrites dans cette section doivent être réalisées par un centre de service autorisé uniquement.**

**AVIS** : Lisez toutes les instructions avant de remplacer toute pièce. Déconnectez toujours la pompe de la source d'alimentation avant un entretien/une réparation.

Les nombres entre parenthèses, tels que (3) ou (16), se rapportent aux numéros d'article utilisés dans le schéma Pièces de rechange.

**Vérification du cordon d'alimentation**

Pour vous assurer que les fils ne sont pas brûlés ou cassés, utilisez un ohmmètre pour procéder à des tests de résistance. Réglez l'échelle de l'ohmmètre sur R X 1 et vérifiez-le en joignant ses deux fils et en ajustant le bouton de l'aiguille jusqu'à ce que zéro soit indiqué. Si l'ohmmètre ne peut pas être remis à zéro, ses piles doivent être changées.

**AVIS** : Lorsque vous changez d'échelle, remettez toujours l'appareil de mesure à zéro [0] avant d'effectuer une mesure.

Raccordez un des fils de l'ohmmètre au fil blanc du cordon et l'autre au fil noir, puis placez une lame de tournevis sur les bornes de la fiche. Si le fil est bon, l'aiguille de l'ohmmètre s'approche de zéro et ne bouge plus. Si l'aiguille de l'ohmmètre ne bouge pas du tout, le fil est coupé et doit être réparé ou remplacé.



## Vérification du fonctionnement du moteur

Si l'appareil est actionné par un interrupteur à flotteur, débranchez la pompe de la fiche multiprise et branchez-la directement sur une source d'alimentation. Le moteur doit démarrer et tourner librement. Si le moteur ne démarre pas à chaque fois qu'il est directement branché sur la source d'alimentation et à chaque fois qu'il est directement branché dans la fiche multiprise avec le flotteur surélevé, remplacez l'ensemble complet d'interrupteur à fiche multiprise. Procédez ensuite à un autre test avec le nouvel ensemble.

Si le moteur ne fonctionne pas lorsqu'il est testé avec l'interrupteur d'actionnement, le condensateur ou le stator doivent être vérifiés.

## Vérification du stator du moteur

1. Retirez le bouchon (9) du haut du boîtier (2) et versez l'huile dans un contenant en verre propre. Si l'huile est transparente, cela indique que le moteur n'a pas grillé et qu'il n'y a pas de fuite d'eau dans le moteur. Si l'huile est noire, cela signifie que le stator a grillé. Si l'huile est trouble, cela indique qu'il y a de l'eau dedans. Tous les joints doivent donc être remplacés.
2. Une fois l'huile purgée, dégagez doucement l'ensemble de cordon d'alimentation (22) du carter du moteur (2). Avec le cordon d'alimentation déconnecté, retirez les vis (4) et soulevez précautionneusement le carter du moteur (2) pour exposer l'ensemble de moteur.
3. Pour les pompes monophasées, vérifiez le condensateur (28) à l'aide d'un ohmmètre. Avec l'échelle de l'ohmmètre réglée sur R X 1000, raccordez les fils de celui-ci au condensateur. L'aiguille de l'ohmmètre doit aller à zéro et revenir doucement. Si ce n'est pas le cas, le condensateur doit être remplacé.
4. Pour vérifier le stator du moteur, retirez les fils du cordon d'alimentation des embouts des bornes situés sur le dessus du moteur ou retirez les connecteurs bout-à-bout (modèles triphasés). Si le stator est visiblement grillé, l'ensemble du moteur doit être remplacé. Si le stator n'est pas grillé, mais que l'huile montre des traces d'eau, le stator peut être vérifié à l'aide de l'ohmmètre pour voir s'il peut encore être utilisé.

## Vérification de la terre

Réglez l'échelle de l'ohmmètre sur R X 100K. Raccordez un des fils de l'ohmmètre à un des fils du stator et à l'aide de l'autre fil de l'ohmmètre, touchez le carter du moteur (4). Si la résistance à la terre est inférieure à 500 000 ohms, le stator doit être séché avant d'être de nouveau testé. Pour le sécher, placez la pompe dans un four à 220 °F (104 °C) pendant quatre heures. Faites une nouvelle vérification une fois le moteur refroidi.

Si le moteur est bien sec, l'aiguille de l'ohmmètre ne bougera pas lors de la vérification de la terre. La mesure indiquée est de 50 mégohms ou plus. Lors de la vérification de la terre, si l'aiguille se dirige vers zéro, le moteur a un fil qui touche un endroit de l'enveloppe du stator et le stator doit être remplacé.

**AVIS** : Si le moteur offre une vérification de terre satisfaisante, la résistance de bobinage doit alors être vérifiée.

## Test de résistance de bobinage

1. Utilisez l'ohmmètre avec l'échelle réglée à R X 1. À cette échelle, l'ohmmètre effectue directement la mesure en ohms. Remettez l'appareil à zéro [0] avant de procéder à la mesure du bobinage.
2. Pour les pompes monophasées, raccordez un des fils de l'ohmmètre au fil blanc du cordon d'alimentation et l'autre au fil noir. Cette mesure correspond à la résistance du bobinage de démarrage. Si les mesures obtenues ne sont pas conformes à celles données ci-dessous, le stator est défectueux et l'ensemble du moteur doit être remplacé.

**AVIS** : Si vous trouvez de l'eau dans le moteur, remplacez le joint.

Reconnectez les fils comme ils étaient avant de les enlever.

## Remplacement du joint

Si l'huile récupérée plus tôt est trouble, cela indique que de l'eau est passée à travers des joints usés ou endommagés; dans ce cas, le joint mécanique (14) et le joint torique (19) doivent être remplacés. Le joint (14) se compose d'une base fixe en céramique et d'une bague rotative en carbone. Pour vérifier le joint :

1. Retirez la plaque inférieure (12) et l'impulseur (11).
2. Enlevez la bague rotative en carbone et le ressort en acier inoxydable.
3. Retirez les boulons à tête hexagonale du stator et soulevez ce dernier pour l'enlever. Un tournevis peut être insérée sous la coque du stator afin d'enlever le stator.
4. Tapotez l'extrémité de l'arbre avec une massette à embouts plastiques. Cela poussera la moitié rotative du joint mécanique hors de l'arbre et le roulement inférieur hors de la plaque d'étanchéité. Retirez à présent l'ensemble d'arbre, de rotor et de roulement de la plaque d'étanchéité.
5. Tournez le roulement à la main : s'il semble dur à tourner ou rouillé, remplacez-le. Utilisez un extracteur de roulement pour retirer le roulement.

## Remontage

1. Nettoyez bien le joint (14) et les logements du roulement dans la volute. Tout le sable et toute la saleté doivent être éliminés.
2. Si la moitié fixe du joint a été retirée, recouvrez la moitié fixe de rechange de lubrifiant pour joint torique et utilisez un poussoir en plastique pour l'insérer dans le carter du moteur. Assurez-vous que l'anneau en caoutchouc entre en premier. N'utilisez aucun objet tranchant qui pourrait endommager le joint.
3. Lorsque vous installez un roulement de rechange, appuyez uniquement sur sa face intérieure et vérifiez qu'il est de niveau avec la bague élastique. Si vous ne disposez pas d'un poussoir, vous pouvez taper sur le roulement pour l'installer sur l'arbre à l'aide d'un manchon qui ne reposerait que sur la face intérieure du roulement.
4. Poussez l'ensemble d'arbre, de rotor et de roulement à billes dans la plaque d'étanchéité en veillant à ne pas ébrécher la céramique de la moitié fixe du joint.
5. Remettez la rondelle ondulée en place.
6. Remplacez le moteur s'il a visiblement grillé, ou si le test de résistance à la terre ou le test du bobinage ont échoué. Notez que le stator de rechange doit être de la même marque que le rotor existant, et vice-versa. Remettez les quatre boulons du stator en place.
7. Enlevez l'ancien joint torique (19), quel que soit son état, et remplacez-le. Installez le nouveau joint torique sur l'épaulement de la plaque d'étanchéité. Ne le faites pas « rouler ». En cas de torsion, de l'eau pourrait entrer dans le boîtier et provoquer une défaillance.
8. Reconnectez les fils d'alimentation et de terre.
9. Nettoyez bien le carter du moteur (2), puis positionnez-le sur la plaque d'étanchéité.
10. Poussez le nouveau joint en céramique (14) pour le mettre en place, avec l'anneau en caoutchouc côté impulseur. Il doit être légèrement recouvert d'huile (diélectrique, identique à celle contenue dans le carter du moteur).  
**AVIS** : La céramique doit rester propre. Toute saleté provoquera une défaillance du joint. Le fait de mélanger anciennes et nouvelles pièces de joint engendrera une défaillance immédiate du joint. Lorsque vous remplacez le joint, changez les deux moitiés, rotative et fixe.
11. Remontez le joint inférieur comme décrit.
12. Ajoutez une goutte de <sup>2</sup>Loctite® 243 au filetage de l'impulseur et vissez bien l'impulseur à la main. L'impulseur forcera la moitié rotative du joint à se mettre en place. L'arbre doit être exempt de toute saleté, graisse, etc. ou la Loctite® ne tiendra pas comme prévu. Remettez la rondelle et la vis de l'impulseur sur l'arbre pour les modèles triphasés.  
<sup>2</sup> Henkel Corporation, Germany  
**AVIS** : Un excès de Loctite® sur le joint ou le roulement provoquera une défaillance de l'arbre.
13. Installez la plaque inférieure (12) et le joint (15).

14. Pour remplacer le cordon d'alimentation (22) des pompes monophasées, faites d'abord glisser les fils de sortie du stator dans les orifices de l'ensemble de joint de fil. Recouvrez le filetage du cordon de ruban d'étanchéité en PTFE pour filetage et vissez le nouvel ensemble de cordon d'alimentation dans le carter du moteur. En vous reportant aux schémas de câblage de ce manuel, fixez les fils ensemble avec des capuchons de connexion.  
**AVIS** : Ne collez pas les fils ensemble avec du ruban, car l'huile chaude détériorera le ruban et provoquera une défaillance.
15. Avant de remplir le carter du moteur avec de l'huile, effectuez un test d'étanchéité des joints. Appliquez une pression d'air de 3 à 3,5 kg au niveau du robinet à filetage NPT de 1/4 po (6) situé sur le dessus du couvercle du moteur et fermez le boîtier.

**AVIS** : Une pression trop élevée endommagera le joint. Le joint devrait alors être remplacé.

Plongez ensuite la pompe dans l'eau et vérifiez l'absence de fuites. Si une fuite se produit, repérez son origine et résolvez le problème en remplaçant la partie défectueuse.

Les pompes Hydromatic disposent d'un petit orifice d'évacuation de l'air dans la cavité de l'impulseur pour laisser s'échapper l'air emprisonné. Si ce trou est obstrué, la pompe peut être bloquée par une poche d'air. Pour libérer cette poche d'air, utilisez un petit tournevis pour dégager l'orifice dans la cavité de l'impulseur.

En tant que mesure de précaution secondaire pour les installations de ce type, un trou de 1/8 po devrait être percé dans la conduite de refoulement, juste au-dessus de la volute. Le clapet de non-retour doit se situer à au moins 12 po (30,5 cm) au-dessus du refoulement de la pompe. N'installez pas directement le clapet de non-retour dans l'orifice de refoulement de la pompe.

**AVIS** : Dans les fosses où la pompe fonctionne tous les jours, le blocage par poche d'air se produit rarement.

## Remplissage avec de l'huile

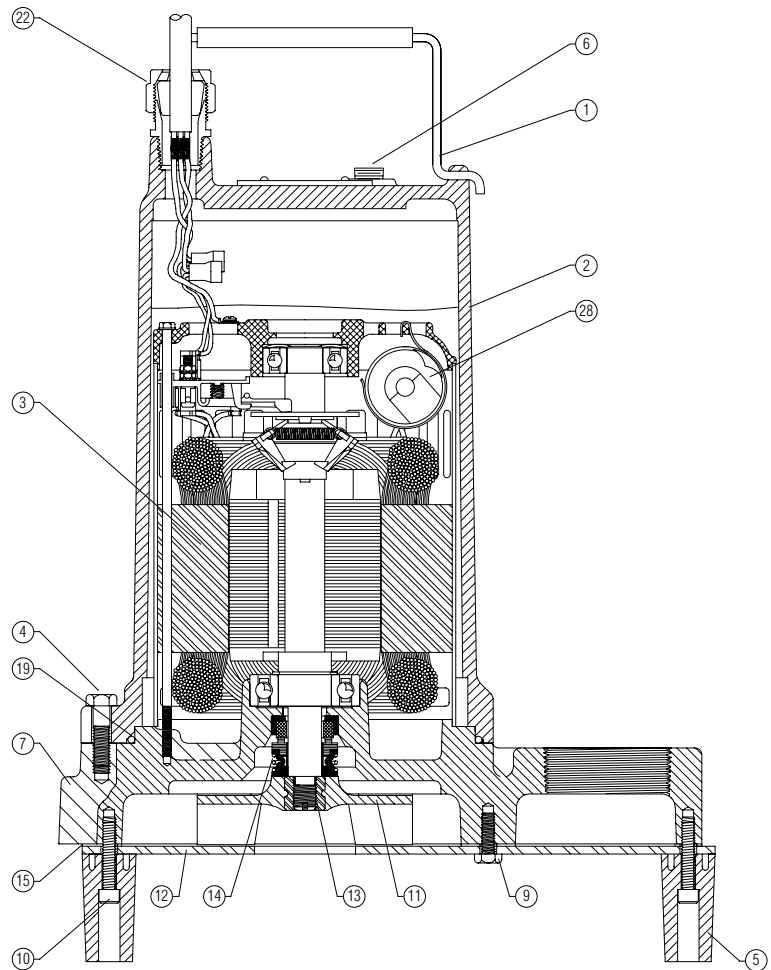
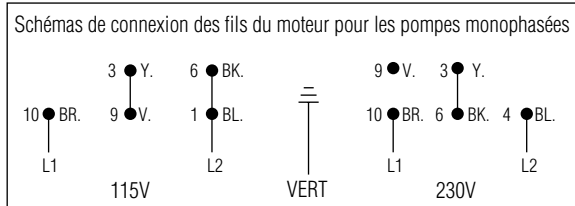
1. Une fois le test d'étanchéité des joints effectué avec succès, sortez la pompe de l'eau, et essuyez ou soufflez tout excès d'eau.
2. Ne mettez pas d'huile dans le moteur si de l'eau est présente dans la cavité du moteur.
3. Utilisez de l'huile de transformateur paraffinique raffinée <sup>3</sup>Shellflex<sup>MC</sup> 2210 ou équivalente.  
<sup>3</sup> Shell Oil Company, Texas
4. Versez doucement l'huile jusqu'à 1/8 po (0,3 cm) au-dessus des bobinages à l'intérieur du carter du moteur en passant par l'orifice (6). Utilisez un tube de remplissage pour huile qui sera inséré dans les orifices pour que l'air puisse s'échapper. Remettez le bouchon en place (6).  
**AVIS** : Ne remplissez pas complètement le carter du moteur. Laissez de l'espace pour l'air en cas d'expansion.
5. Raccordez les fils du cordon d'alimentation aux bornes du tableau ou connectez la source d'alimentation, et vérifiez que la pompe fonctionne. Le moteur doit tourner librement et ne pas vibrer. La pompe est prête à être utilisée.

**⚠ AVERTISSEMENT Tension dangereuse.** Peut provoquer des chocs électriques, des brûlures, voire la mort. Coupez l'alimentation avant de tenter d'entretenir ou de réparer la pompe.

**⚠ AVERTISSEMENT Impulseurs dangereux et démarrages inopinés pouvant provoquer la perte de doigts.** Gardez les mains éloignées de l'orifice d'aspiration de la pompe lorsque vous travaillez sur celle-ci ou lorsque vous la réparez.

Symptôme	Cause(s) possible(s)	Mesure corrective
Le moteur ne fonctionne pas.	Le dispositif de protection du moteur s'est déclenché.	Laissez le moteur refroidir. Vérifiez que la pompe est complètement immergée. Enlevez les débris de la volute et de l'impulseur. Vérifiez si le débit en ampères est élevé.
	Disjoncteur déclenché ou fusible grillé.	Remplacez le fusible ou réenclenchez le disjoncteur. Si le disjoncteur se déclenche à répétition, ne le réenclenchez pas. Téléphonez à un électricien agréé.
	Impulseur obstrué ou grippé.	Vérifiez le débit en ampères. S'il est plus de deux fois supérieur à l'intensité figurant sur la plaque signalétique, l'impulseur est bloqué. Les roulements et l'arbre peuvent être endommagés. Coupez l'alimentation électrique, enlevez les débris de la volute, de l'impulseur et du dilacérateur si besoin est.
	Câble d'alimentation endommagé.	La résistance entre le câble d'alimentation et la terre doit être infinie. Si la mesure est inférieure à l'infini, téléphonez à un électricien agréé.
	Problème au niveau du tableau de commande.	Inspectez le câblage du tableau de commande. Téléphonez à un électricien agréé.
	Contacteur de niveau de liquide défectueux.	Une fois le contacteur de niveau de liquide déconnecté de l'alimentation, vérifiez-la continuité de celui-ci tout en l'activant. Au besoin, remplacez le contacteur.
	Pas assez de liquide dans le puits d'aspiration pour activer les commandes.	Laissez le liquide monter de plusieurs pouces (centimètres) au-dessus du niveau de déclenchement.
	Cordons de niveau de liquide emmêlés.	Démêlez les cordons pour que le système fonctionne librement.
La pompe fonctionne en continu.	Commandes automatiques défectueuses.	Essayez de faire fonctionner la pompe dans le mode manuel. Si elle fonctionne, la commande automatique est défaillante.
	Cordons des commandes de niveau de liquide emmêlés.	Démêlez les cordons pour que le système fonctionne librement.
	La pompe est bloquée par de l'air.	Arrêtez la pompe pendant une minute environ, puis redémarrez-la. Répétez l'arrêt et le démarrage jusqu'à ce que le blocage par l'air soit éliminé. Si le blocage persiste, <b>COUPEZ L'ALIMENTATION ÉLECTRIQUE</b> , tirez sur la pompe et percez un trou de 1/8 po (0,3 cm) dans la conduite de refoulement entre le refoulement de la pompe et le clapet antiretour.
Peu ou pas d'effluent sortant de la pompe.	Le débit d'entrée est égal ou supérieur à la capacité de la pompe.	Une pompe plus grande ou des pompes supplémentaires peuvent être nécessaires.
	Vérifiez si le clapet est obstrué, bloqué en position fermée ou installé à l'envers.	Assurez-vous que le clapet antiretour est correctement installé (la flèche de débit doit pointer vers la direction opposée à celle de la pompe) et qu'il fonctionne de manière appropriée.
	Hauteur de refoulement du système excessive.	Consultez le détaillant.
	Obstruction de l'aspiration de la pompe.	<b>COUPEZ L'ALIMENTATION ÉLECTRIQUE</b> , tirez sur la pompe, inspectez-la et éliminez l'obstruction au besoin.
	Mauvaise tension ou câblage incorrect.	Vérifiez la rotation de la pompe; comparez la tension d'alimentation et la tension figurant sur la plaque signalétique (elles doivent correspondre); consultez un électricien agréé.
	La pompe est bloquée par de l'air.	Arrêtez la pompe pendant une minute environ, puis redémarrez-la. Répétez l'arrêt et le démarrage jusqu'à ce que le blocage par l'air soit éliminé. Si le blocage persiste, <b>COUPEZ L'ALIMENTATION ÉLECTRIQUE</b> , tirez sur la pompe et percez un trou de 1/8 po (0,3 cm) dans la conduite de refoulement entre le refoulement de la pompe et le clapet antiretour.
La pompe fonctionne par intermittence.	Impulseur usé ou endommagé.	<b>COUPEZ L'ALIMENTATION ÉLECTRIQUE</b> , tirez sur la pompe et inspectez l'impulseur. Remplacez-le au besoin.
	Commandes de niveau de liquide mal installées ou défectueuses.	Repositionnez-les ou remplacez-les au besoin.
	Aucun clapet antiretour installé dans le refoulement.	Installez le clapet antiretour de refoulement.
	Clapet antiretour de refoulement bloqué en position ouverte.	Réparez ou remplacez le clapet antiretour au besoin.
	Puits d'aspiration des eaux d'égout trop petit.	Consultez le détaillant.
La pompe fonctionne par intermittence.	Commandes de niveau de liquide mal installées ou défectueuses.	Repositionnez-les ou remplacez-les au besoin.
	Pompe trop petite pour le débit d'entrée.	Informez-vous auprès du détaillant pour obtenir une plus grande pompe ou une pompe supplémentaire.

## Modèle monophasé

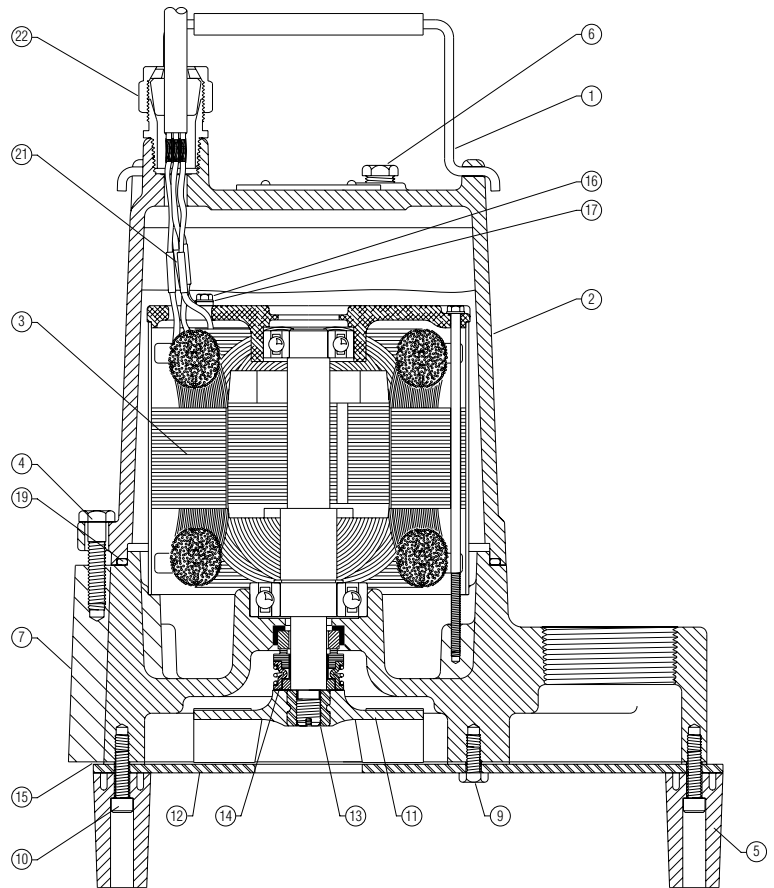
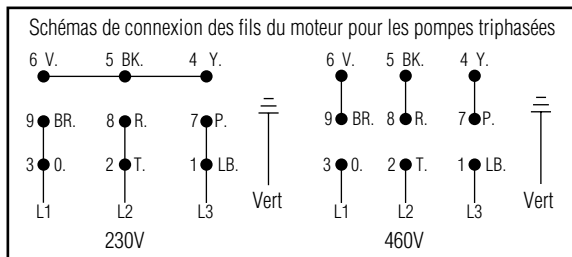


Ref.	Description	Qte.	Numéro de pièce
1	Poignée	1	000600005
2	Carter, moteur 115V	1	000562322
	Carter, moteur 230V	1	000560222
3	Ensemble de moteur, 115/230V, MES50	1	135380001
	Ensemble de moteur, 230V, MES100	1	135400001
4	Vis	4	001010081
5	Jambe, 2 po	3	135070011
6	Bouchon fileté, 1/4 po NPT	1	149810011
7	Carter de la volute	1	002020042
9	Vis	5	19099A029
10	Vis	3	06106A019
11	Impulseur, MES50	1	096400011
	Impulseur, MES100	1	096400021
12	Plaque inférieur	1	085210051
13	Produit d'étanchéité Loctite®	—	017540001
14	Joint d'arbre	1	14525A010

Ref.	Description	Qte.	Numéro de pièce
15	Joint	1	135620011
19	Joint torique	1	000770031
22	Cordon d'alimentation de 20 pi, 115V,	1	132160015
	Cordon d'alimentation de 30 pi, 115V	1	132160045
	Cordon d'alimentation de 20 pi, 230V	1	132160025
	Cordon d'alimentation de 30 pi, 230V	1	132160055
28	Condensateur	1	—
*	Interrupteur à flotteur assemblée de 20 pi, MES50	1	145951201
	Interrupteur à flotteur assemblée de 30 pi, 115V, MES50	1	145951301
	Interrupteur à flotteur assemblée de 20 pi', 230V	1	139670257
	Interrupteur à flotteur assemblée de 30 pi, 230V	1	139670357

\* Non illustré

## Modèle triphasé



Ref.	Description	Qty.	Numéro de pièce
1	Poignée	1	000600005
2	Carter, moteur	1	000565002
3	Ensemble de moteur, 230/460V, MES50	1	135390021
	Ensemble de moteur, 230/460V, MES100	1	135410021
	Ensemble de moteur, 575V, MES50	1	135870021
	Ensemble de moteur, 575V, MES100	1	135880021
4	Vis	4	001010081
5	Jambe, 2 po	3	135070011
6	Bouchon fileté, 1/4 po NPT	1	149810011
7	Carter de la volute	1	002020042
9	Vis	5	001760031
10	Vis	3	005170101
11	Impulseur, MES50	1	096400011
	Impulseur, MES100	1	096400021

Ref.	Description	Qty.	Numéro de pièce
12	Plaque inférieur	1	085210051
13	Produit d'étanchéité Loctite®	—	017540001
14	Joint d'arbre	1	14525A010
15	Joint	1	135620011
16	Vis	4	128450011
17	Rondelle	4	009950021
19	Joint torique	1	000770031
21	Connecteur	4	000730011
22	Cordon d'alimentation de 20 pi	1	116440085
	Cordon d'alimentation de 30 pi	1	116440225

**Garantie limitée :**

**Myers® garantit à l'acheteur initial (« l'acheteur » ou « vous ») des produits figurant ci-dessous qu'ils seront exempts de tout défaut de matériel et de fabrication pour la période de garantie indiquée ci-dessous.**

<b>Produit</b>	<b>Période de garantie selon la première éventualité :</b>
Pompes à éjecteur, petites pompes centrifuges, pompes submersibles et accessoires connexes	12 mois à partir de la date de première installation ou 18 mois à partir de la date de fabrication
Réservoirs en fibre enroulée	5 ans à partir de la date de première installation
Réservoirs sous pression en acier	5 ans à partir de la date de première installation
Produits pour puisard/eaux usées/effluents	12 mois à partir de la date de première installation ou 36 mois à partir de la date de fabrication
Unités de batterie de secours MBSP-2, MBSP-2C	12 mois à partir de la date de première installation ou 18 mois à partir de la date de fabrication
MBSP-3, MBSP-3C	24 mois à partir de la date de première installation ou 30 mois à partir de la date de fabrication
Pompes de traitement des matières solides des eaux usées	12 mois à partir de la date de première installation ou 18 mois à partir de la date de fabrication

Notre garantie s'applique uniquement quand ces produits sont utilisés conformément aux exigences du catalogue et/ou des manuels des produits concernés. Pour plus d'information, consultez la garantie limitée standard applicable dans le manuel du produit.

Notre garantie ne s'applique pas aux produits qui, à notre seul avis, ont fait l'objet de négligence, d'une mauvaise utilisation, d'une mauvaise installation ou d'un manque d'entretien adéquat. Sans aucune limitation des présentes, l'utilisation d'un moteur triphasé sur un courant monophasé par l'intermédiaire d'un déphaseur annulera la garantie. Il faut également noter que les moteurs triphasés doivent être protégés par un relais de surcharge tripolaire thermocompensé à déclenchement extrêmement rapide du calibre recommandé, sinon la garantie sera annulée.

Votre seul recours et la seule responsabilité de MYERS sont que MYERS répare ou remplace les produits défectueux (au choix de MYERS). Vous vous engagez à payer tous les frais de main-d'œuvre et d'expédition du produit couvert par cette garantie et de vous adresser au concessionnaire-installateur dès qu'un problème est découvert pour obtenir un service sous garantie. Aucune demande de service ne sera acceptée après l'expiration de la période de garantie. Cette garantie n'est pas transférable.

MYERS NE SERA TENUE RESPONSABLE D'AUCUN DOMMAGE INDIRECT, ACCIDENTEL OU FORTUIT, QUEL QU'IL SOIT.

LES GARANTIES LIMITÉES SUSMENTIONNÉES SONT EXCLUSIVES ET REMPLACENT TOUTES LES AUTRES GARANTIES EXPRESSES ET TACITES, Y COMPRIS, MAIS SANS S'Y LIMITER, LES GARANTIES TACITES DE QUALITÉ MARCHANDE ET D'ADAPTATION À UN USAGE PARTICULIER. LES GARANTIES LIMITÉES SUSMENTIONNÉES NE DOIVENT PAS ÊTRE PROLONGÉES AU-DELÀ DE LA DURÉE PRÉVUE AUX PRÉSENTES.

Certaines provinces n'autorisent pas d'exclure ou de limiter les dommages fortuits ou indirects ou de limiter la durée d'une garantie implicite; il se peut donc que les limitations ou exclusions ci-dessus ne s'appliquent pas à votre cas. La présente garantie vous donne des droits juridiques spécifiques et vous pouvez en avoir d'autres qui varient d'une province à l'autre.

Cette garantie limitée entre en vigueur le 1er avril 2014 et remplace toutes les garanties non datées et les garanties datées avant le 1er avril 2014.

**MYERS**

293 Wright Street, Delavan, WI 53115

Téléphone : 888-987-8677 • Télécopieur : 800-426-9446 • [www.femyers.com](http://www.femyers.com)

Au Canada: 490 chemin Pinebush, unité 4, Cambridge, Ontario N1T 0A5

Téléphone : 800-363-7867 Télécopieur : 888-606-5484

## Caractéristiques du produit

Modèle	MES50	MES100
Application typique	Eaux d'égout, effluent, assèchement, capacité élevée	
Capacité :	jusqu'à 63 GPM (53 LPM)	jusqu'à 88 GPM (74 LPM)
Hauteurs d'eau :	jusqu'à 63 pi (19.2 m)	jusqu'à 90 pi (27.4 m)
Système électrique :	115V, 1ø, 14.5 FLA, 60Hz; 208V, 1ø, 7.6 FLA, 60Hz; 230V, 1ø, 7.6 FLA, 60Hz; 230V, 3ø, 3.1 FLA, 60Hz; 460V, 3ø, 1.6 FLA, 60Hz; 575V, 3ø, 1.2 FLA, 60Hz	208V, 1ø, 13.6 FLA, 60Hz; 230V, 1ø, 12.1 FLA, 60Hz; 230V, 3ø, 5.8 FLA, 60Hz; 460V, 3ø, 3 FLA, 60Hz; 575V, 3ø, 1.9 FLA, 60Hz
Moteur :	1/2 HP (with start capacitor, single phase), 3450 RPM	1 HP (with start capacitor, single phase), 3450 RPM
Température de liquide intermittente :	140°F (60°C)	
Diamètre de fosse minimal recommandé :	Simplex = 24 po (609.6 mm); Duplex = 36 po (914.4 mm)	
Fonctionnement automatique :	Interrupteur à grand angle attaché (une seule phase)	
Matériaux de construction :	Fonte de classe 30	
Impulseur :	Thermoplastique	
Dimension du refoulement :	2 po NPT (50.8 mm)	
Gestion des matières solides :	3/4 po (19.1 mm)	
Cordon d'alimentation :	20 pi SJTW STW-A (30 pi opt.)	

## Courbe de performance

